

Model: 9PA108**Model life 2007>>2010**

Model Overview Sales Type

Sales term	Description	Mounting time	Remark
9PAAG1	Cayenne V6 with tiptronic gearbox	05/07-05/10	
9PAAG7	Cayenne V6 mit Schaltgetriebe	05/07-05/10	
9PAAH1	Cayenne V8 with tiptronic gearbox	05/07-05/10	
9PAAH7	Cayenne V8 w/ manual gearbox	05/07-05/10	
9PAAI1	Cayenne V8 Turbo with tiptronic gearbox	05/07-05/10	
9PAAL1	Cayenne GTS V8 with tiptronic gearbox	05/07-05/10	
9PAAL7	Cayenne GTS V8 with manual gearbox	05/07-05/10	
9PAAN1	Cayenne Turbo S	05/08-05/10	
9PAAP1	Cayenne Diesel	05/08-05/10	
9PAAR1	Cayenne Transsyb. mit Tiptronic-Getriebe	05/09-05/10	
9PAAR7	Cayenne Transsyberia mit Schaltgetriebe	05/09-05/10	
9PAAS1	Cayenne GTS Porsche Design Edition 3 Tiptronic	05/09-05/10	

Model: 9PA108**Model life 2007>>2010**

Model Overview EC

EC	Sales term	LTR	KW	Hp	Cyl	Mounting time	Remark
059D		3,00	176	239	6	05/08-05/10	
4801		4,80	283	384	8	05/07-05/10	
4801		4,80	298	405	8	05/07-05/10	
4851		4,80	368	500	8	05/07-05/10	
4851		4,80	397	539	8	05/07-05/10	
4851		4,80	404	549	8	05/08-05/10	
5501		3,60	213	289	6	05/07-05/10	

Model: 9PA108**Model life 2007>>2010**

Model Overview TC

TC	Sales term	Type	Mounting time	Remark
A059D		6A	05/08-05/10	
A4802		6A	05/07-05/10	
A4822		6A	05/07-05/10	
A4852		6A	05/07-05/10	
G4802		6S	05/07-05/10	
G4822		6S	05/07-05/10	

Model: 9PA108

Model life 2007>>2010

VIN-Numbers Overview

Model year	Date	VIN		Remark
2007	01.06.2006	9P-7LA00061	>9P-7LA10000	Cayenne (C99) (TR)
2007	01.06.2006	9P-7LA30061	>9P-7LA40000	Cayenne S (C99) (TR)
2007	01.06.2006	9P-7LA80061	>9P-7LA90000	Cayenne Turbo (C99) (TR)
2008	01.01.2007	9P-8LA00061	>9P-8LA30000	Cayenne
2008	01.01.2007	9P-8LA70061	>9P-8LA80000	Cayenne GTS
2008	01.01.2007	9P-8LA30061	>9P-8LA70000	Cayenne S
2008	01.01.2007	9P-8LA80061	>9P-8LA99999	Cayenne Turbo
2009	01.06.2008	9P-9LA00061	>9P-9LA20000	Cayenne
2009	01.06.2008	9P-9LA20061	>9P-9LA30000	Cayenne Diesel
2009	01.06.2008	9P-9LA60061	>9P-9LA80000	Cayenne GTS
2009	01.06.2008	9P-9LA40061	>9P-9LA60000	Cayenne S
2009	01.06.2008	9P-9LA80061	>9P-9LA90000	Cayenne Turbo
2010	01.06.2009	9P-ALA00061	>9P-ALA20000	Cayenne
2010	01.06.2009	AP-ALA00061	>AP-ALA20000	Cayenne (USA, CDN)
2010	01.06.2009	9P-ALA20061	>9P-ALA30000	Cayenne Diesel
2010	01.06.2009	9P-ALA60061	>9P-ALA80000	Cayenne GTS
2010	01.06.2009	9P-ALA50061	>9P-ALA60000	Cayenne S
2010	01.06.2009	AP-ALA50061	>AP-ALA60000	Cayenne S (USA, CDN)
2010	01.06.2009	9P-ALA30061	>9P-ALA50000	Cayenne Transsyberia
2010	01.06.2009	9P-ALA80061	>9P-ALA90000	Cayenne Turbo
2010	01.06.2009	AP-ALA60061	>AP-ALA80000	Cayenne GTS (USA, CDN)
2010	01.06.2009	AP-ALA80061	>AP-ALA90000	Cayenne Turbo (USA, CDN)
2010	01.06.2009	AP-ALA30061	>AP-ALA50000	Cayenne Transsyberia (USA, CDN)

Model: 9PA108

Model life 2007>>2010

Engine Numbers

Engine number	Model year	Vehicle type	Engine type
838 00501>99999	2008	CAYENNE S	4801
858 00501>99999	2008	CAYENNE GTS	4801
848 00501>99999	2008	CAYENNE TURBO	4851
868 00501>99999	2008	CAYENNE TURBO +E81	4851
638 01001>99999	2008	CAYENNE	5501
CAS 0001>999999	2009	CAYENNE DIESEL	059D
_9 00501>99999	2009	CAYENNE S	4801
G_9 00501>99999	2009	CAYENNE GTS	4801
_9 00501>99999	2009	CAYENNE TURBO	4851
S_9 00501>99999	2009	CAYENNE TURBO +E81	4851
T_9 00501>99999	2009	CAYENNE TURBO +E8A	4851
639 01001>99999	2009	CAYENNE	5501
CAS 0001>999999	2010	CAYENNE DIESEL	059D
_A 00501>99999	2010	CAYENNE S	4801
G_A 00501>99999	2010	CAYENNE GTS	4801
_A 00501>99999	2010	CAYENNE TURBO	4851
S_A 00501>99999	2010	CAYENNE TURBO +E81	4851
T_A 00501>99999	2010	CAYENNE TURBO +E8A	4851
63A 01001>99999	2010	CAYENNE	5501

Model: 9PA108

Model life 2007>>2010

Transmission Numbers

Transmission Number	Model year	Vehicle type	Gearbox type
A4802 0 002001>999999	2008	CAYENNE S	A4802
A4822 0 002001>999999	2008	CAYENNE	A4822
A4852 0 002001>999999	2008	CAYENNE TURBO	A4852
G4802 0 002001>999999	2008	CAYENNE S	G4802
G4822 0 002001>999999	2008	CAYENNE	G4822
A059D 0 002001>999999	2009	CAYENNE DIESEL	A059D
A4802 0 002001>999999	2009	CAYENNE S	A4802
A4822 0 002001>999999	2009	CAYENNE	A4822
A4852 0 002001>999999	2009	CAYENNE TURBO	A4852
G4802 0 002001>999999	2009	CAYENNE S	G4802
G4822 0 002001>999999	2009	CAYENNE	G4822
A059D 0 002001>999999	2010	CAYENNE DIESEL	A059D
A4802 0 002001>999999	2010	CAYENNE S	A4802
A4822 0 002001>999999	2010	CAYENNE	A4822
A4852 0 002001>999999	2010	CAYENNE TURBO	A4852
G4802 0 002001>999999	2010	CAYENNE S	G4802
G4822 0 002001>999999	2010	CAYENNE	G4822

Model: 9PA108

Model life 2007>>2010

NR	Description
B0A	Component set without country assignment
B0D	Component set for USA
B0E	Component set for Canada
B0L	Component set for Japan
B0M	Component set for AGCC countries
B0N	Component set for Great Britain
B0R	Component set for Australia
B0W	Component set for California
B1C	Component set for Mexico
B1D	Component set for Brazil
B1P	Component set for China
B1Q	Component set for Argentina
B2G	Component set for Thailand
CD3	18-inch Turbo wheel-2 (8 X 18 RO 57)
CJ1	Cayenne wheel 7.5x17, wheel offset 53
CJ2	Cayenne S wheel 8x18, wheel offset 57
CJ3	19-inch (9 X 19) Cayenne Design wheel
CJ6	18-inch (8 x 18) Cayenne Turbo wheel
CP5	Cayenne Sport Techno wheel 9"/10" x 20" Titanium metallic
CP7	19-inch (9 x 19) Cayenne Design wheel painted in body colour
CS5	20-inch (9X20) Cayenne Sport Design wheel
CS6	Cayenne Sport Techno wheel 9x20, wheel offset 60
CT1	Cayenne Sport Techno wheel 9x20, wheel offset 60, wheel spokes painted in exterior colour
CW3	Cayenne Design wheel 19 " in titanium metallic
CY2	21-inch Cayenne Sport wheel (10 x 21 RO 50)
CY3	Cayenne Sport Techno wheel 9-inch/10-inch x 20-inch
CY4	Cayenne Sport Techno wheel 9"/10" x 20" in vehicle colour
C2R	18-inch Cayenne S wheel-2 (8 x 18 RO 57)
C4I	21-inch Cayenne Sportplus wheel Orange wheel spokes
C4P	21-inch Cayenne Sportplus wheel Black wheel spokes
C9N	21-inch Cayenne Sportplus wheel (10 x 21)
C9S	21-inch Cayenne Sportplus wheel (10 x 21)
D5V	8-cylinder petrol engine 4.8 l/280 KW V8 FSI
D5X	6-cyl. spark-ignition engine, 3.6 l/206 kW FSI
D5Z	8-cylinder petrol engine 4.8 l/368 KW V8 biturbo
D50	6-cylinder diesel engine, 3.0 l/176 kW TDI
E0A	No campaign version, basic equipment
E0W	GTS version
E1T	Sondermodell CAYENNE. Porsche Design Edition 3
E2D	Special model Transsyberia

Model: 9PA108

Model life 2007>>2010

NR	Description
E8A	Turbo S
E81	Enhanced performance engine
FZ0	Seat belts in Black
FZ1	Seat belts in Guards Red
FZ2	Seat belts in Silver Grey
FZ3	Seat belts in Sand Beige
FZ4	Seat belts in Orange
GY1	Power closing mechanism for tailgate
G0L	6-speed manual transmission for all-wheel drive vehicle
G0R	Tiptronic s
HA8	Tyres 295/35 R21 107 Y
HD9	Tyres 275/40 R20 106 Y
HP2	All-season tyres 275/45 R19 108 V
HV7	All-season tyres 235/65 R17 108 V
H8Z	Tyres 235/65 R17 108 V
H9K	Tyres 255/55 R18 109 Y
H9L	Tyres 275/45 R19 108 Y
H9M	All-season tyre on 18-inch aluminium wheel
J0L	340 A (70 Ah) battery
J0Z	520 A (110 Ah) battery
J1U	450 A (95 Ah) battery
J2C	480 A (85 Ah) and 520 A (110 Ah) batteries
K4H	Closed body
L0L	Left-hand drive version
L0R	Right-hand drive version
N1M	Two-colour seat covers in partial leather, smooth-finish
N1P	Seat covers in partial leather (natural leather, smooth-finish)
N1X	Part-leather seat covers, grained
N2S	Seat covers in partial leather ALCANTARA
N2Z	Two-tone seat covers in partial leather, embossed for Cayenne S special model
N5U	Part-leather seat covers, smooth leather
N5Y	Seat covers in partial leather (natural leather, soft ruffled leather)
N7D	Soft ruffled leather seats in smooth leather
N7F	Soft ruffled leather seats in embossed leather
QA0	without child seat
QH0	not with voice control
QH1	Voice control
QJ2	Aluminium package
QJ4	Aluminium package, Black
QJ5	Aluminium package, Titanium-Metallic
QL3	Tinted glass, green at rear
QL5	Dark tinted rear privacy glass

Model: 9PA108

Model life 2007>>2010

NR	Description
QL6	Heat-insulating glass at rear, metallized
QR1	With compass
QV0	Without TV and digital radio reception
QV1	With TV reception
QV4	XM satellite radio receiver
QV8	HD radio reception and SAT radio XM (SDARS)
Q1D	Sports seats with expanded memory function in smooth leather
Q1J	GTS sports seats front and rear
Q2J	Convenience seat
UF0	Without electric interface
UF1	Multimedia socket for external source
U5A	Instrument insert, km/h indication, RoW
U5B	Instrument insert, mph indication, GB
U5C	Instrument insert, mph indication, USA
U5D	Instrument insert, km/h indication, Canada
U5E	Instrument insert, km/h indication, Japan
U5F	Instrument insert, display km/h, AGCC
U5G	Instrument insert, km/h indication, Australia
VC0	Ohne Garagentoröffner
VC1	Garage door opener, 433 MHz
VC2	Garage door opener, 315 MHz
VR0	Without impact protection measures
VR1	Side protection, running board
VR3	Front-end and side protection
VR4	Front impact protection measures
0AB	Anti-roll bar, front and rear
0AG	Anti-roll bar, front, disengageable
0AW	Front and rear anti-roll bars with active Body control -PDCC-
0BB	Rear stabilizer bar
0BJ	Anti-roll bar, rear, disengageable
0F9	Cooled fuel system for diesel engine
0GD	Emissions compliance EU 2, (CN)
0GG	Emissions compliance EU 4
0GM	Emissions compliance LEV
0GU	Emissions compliance EU 2
0GZ	EU 3 diesel emissions concept with E-OBD
0JA	Weight class 1, front axle - 1170-1210 kg
0JB	Weight class 2, front axle - 1211-1226 kg
0JC	Weight class 3, front axle - 1227-1251 kg
0JD	Weight class 4, front axle - 1252-1276 kg
0JE	Weight class 5, front axle - 1277-1292 kg
0JF	Weight class 6, front axle - 1293-1328 kg
0JG	Weight class 7, front axle - 1329-1428 kg
0NA	Deletion of model designation
0NB	Nameplate set in basic version

Model: 9PA108

Model life 2007>>2010

NR	Description
0P0	Standard tailpipe
0P3	Sports tailpipe in precision-cast aluminium, 4-pipe look
0P8	Sports exhaust system
0YA	Weight class 1, rear axle - 1039-1074 kg
0YB	Weight class 2, rear axle - 1075-1128 kg
0YC	Weight class 3, rear axle - 1129-1159 kg
0YD	Weight class 4, rear axle - 1160-1215 kg
0YE	Weight class 5, rear axle - 1216-1244 kg
0YF	Weight class 6, rear axle - 1245-1299 kg
0YG	Weight class 7, rear axle - 1300-1331 kg
0Y1	Standard climatic zone
0Y2	Tropical climatic zone
0Y3	Cold climatic zone
1A2	Engine variant without reduced compression
1BA	Suspension/dampers, standard
1BH	Suspension/dampers, standard 2 PASM
1BK	Air suspension with levelling system and height adjustment (PASM)
1BS	4-corner air suspension
1BW	Comfort suspension/damping (steel springs)
1D0	without tow bar
1D2	Detachable trailer coupling
1D6	Trailer coupling without tow ball
1D7	Preparation for detachable trailer coupling
1D8	Preparation for detachable trailer coupling "usa"
1D9	Electric folding trailer coupling
1G1	18-inch collapsible spare wheel
1G3	High-pressure alloy spare wheel with tyre
1G4	19" collapsible spare wheel
1G6	Spare wheel, space saving - 17-inch, radial tyre, compressor, in vehicle
1G8	Tire Fit, tyre repair set
1KP	Rear disc brakes - disc diameter 18"plus Brake calliper painted red
1KU	Rear disc brakes - disc diameter 18 inches, brake calliper painted red
1KW	Rear disc brakes - disc diameter 17 inches, brake calliper painted black
1KY	Rear disc brakes - disc diameter 17 inches, brake calliper painted silver
1KZ	Rear disc brakes - disc diameter 17 inches, brake calliper painted red
1LH	Rear disc brake - disc diameter 19 inches, brake calliper painted red
1LK	Front disc brake, disc diameter 19 inches,

Model: 9PA108

Model life 2007>>2010

NR	Description
	brake calliper painted Green
1LL	Front disc brake, disc diameter 19 inches, brake calliper painted Green
1LM	Front disc brake, disc diameter 19 inches, brake calliper painted Black
1LP	Front disc brakes, disc diameter 18 inches, brake calliper painted Red
1LX	Front disc brake - disc diameter 20 inch, brake calliper painted yellow (PCCB)
1L0	Standard air cleaner
1L2	Equipment for countries with dust-laden air
1MD	Leather steering wheel for airbag system - 3 spokes, heatable, TWO-COLOUR
1MV	Lederlenkrad fuer Airbagsystem - 3 Speichen, aufgepolstert
1MW	Leather steering wheel for airbag system - 3 spokes, padded
1NE	Wheel centres STANDARD
1NP	Wheel centres with full-colour Porsche Crest (concave)
1N1	Power steering
1N3	Speed-dependent power-assisted steering (servotronic)
1XJ	3-spoke multi-function steering wheel in dark Burr maple wood with radio control element
1XK	3-spoke multi-function steering wheel in Light Olive wood with radio control element
1Y0	Ohne Vorder- /Hinterachssperre
1Y1	Differential lock, rear, centre differential lock
2C4	Steering column, reach + height adjustable with memory
2C5	Steering column, reach + height adjustable, mechanical
2D0	Without Aerokit
2D1	Aerokit, with sill cover
2D2	Aerokit, without sill cover
2D3	Sill cover
2D4	Cayenne GTS aerokit standard spoiler
2EH	Rear disc brakes - disc diameter 19 inch Brake calliper painted yellow (PCCB)
2FV	3-spoke multi-function steering wheel in light Olive wood , matt, with radio control element
2G1	Insert for fuelling with unleaded petrol
2G3	Without insert for unleaded filling
2G4	Insert for fuelling with unleaded petrol (CARB Diagnosis)
2G6	Without fuel tank adapter; ethanol fuel

Model: 9PA108

Model life 2007>>2010

NR	Description
2JB	Bumper, standard
2JC	Comfort bumper, stainless-steel attachment, front apron bottom section
2JL	Comfort bumper (stainless steel trim at rear)
2JX	Comfort bumper (stainless steel trim at front + rear)
2PH	Leather steering wheel for airbag system - 3 spokes, heated
2PM	Leather steering wheel for airbag system - 3-spoke steering wheel
2PR	Alcantara steering wheel, 3-spoke, heated, padded
2PW	Alcantara steering wheel, 3-spoke, padded
2V5	Fresh air intake with activated charcoal filter
2X2	tiptronic control on steering wheel
3B1	Child seat anchors, USA/Canada requirement
3B4	Child seat anchors for ISOFIX child seat system, RoW
3CA	with no partition
3CX	net partition
3D1	Centre console STANDARD (PVC)
3D3	Centre console MEDIUM, grained leather
3D4	Centre console in natural leather
3D5	Centre console Alcantara
3D8	Centre console Leather, smooth
3FA	Without roof insert
3FE	Electric glass slide/tilt sunroof
3FU	Porsche large roof system
3GE	Raised loadspace floor
3GN	Variable luggage/load compartment floor
3J4	Headrests for front seats
3J7	Headrests for front seats, with embossed crest
3LD	Door & side trim panel - standard - PAG
3LE	Door & side trim panel - MEDIUM - PAG
3LH	Door trim and side wall - all leather -- pillars/rooflining in Alcantara - PAG
3LM	Door panel/side trim panel in natural leather
3LS	Door & side trim panel - Alcantara
3LT	Door, side trim panel in two-colour natural leather
3L3	Manual height adjustment for both 8-way adjustable front seats
3L4	Driver memory package
3L5	Electrical adjustment for both 12-way adjustable front seats
3ME	Tufted velour carpeting with protective pad
3MT	Pearl velour carpeting with protective pad
3NW	Rear seats, split backrest can be folded down
3PB	Front seat adjustment, left electrical, right manual

Model: 9PA108

Model life 2007>>2010

NR	Description
3PN	12-way electrical adjustment for both front seats + memory
3QT	3-point automatic seat belts at front with seat-belt pre-tensioners + height adjustment
3S1	Bright roof rails
3S2	Black roof rails without drip mouldings
3S4	Preparation for roof rack, black
3S5	Black roof rails with drip mouldings
3S7	Roof rails
3S8	Roof Transport System
3W4	Acoustic package, standard
3W7	Extra audio package
3X0	not with through-loading aperture
3X1	Load-through hatch with ski bag
3Y0	without roll-up sun screen
3Y3	Manual sun blind, rear side window
3Y4	Roller blind for rear side windows
4AV	Door trim and side wall - smooth-leather insert
4A0	without seat heater
4A3	Heated seats, front
4A4	Heated seats, front/rear
4E0	Tailgate release from outside
4E2	Interior tailgate release, electrical
4E7	Trunk lid power closing
4F2	Porsche entry + drive
4F6	Porsche entry + drive (usa/can)
4GF	Windscreen of tinted glass
4GY	Windscreen of heat-insulating glass
4K0	Central-locking system with key remote and interior operation
4K3	Central locking with remote control, inner release and safe lock system
4LA	no controls on steering wheel
4LB	3-spoke multi-function steering wheel in leather with radio control element
4LC	3-spoke multi-function steering wheel in leather with radio and telephone control element
4L2	Safety interior mirror, manual dimming function
4L6	Safety interior mirror, automatic dimming function
4N1	Padded dashboard
4N3	Switch panel in two-tone leather w. decor. stitching
4N8	Dashboard with genuine leather
4QF	3-point automatic belts at front with electrical height adjustment and memory
4UB	Airbag with kneebar
4UD	Airbag, can not be deactivated on passenger's side
4UE	Airbags for driver and front-seat passenger;

Model: 9PA108

Model life 2007>>2010

NR	Description
	front-seat passenger side can be deactivated
4UQ	Advanced airbag
5D1	Carrier frequency 433.92 MHz
5D2	Carrier frequency 315 MHz
5D3	Carrier frequency 315 MHz with reduced transmission power for Japan
5D9	Carrier frequency 433.92 MHz with changed transmission duration
5MA	Decorative inlays - paint, painted plastic
5MG	Burr maple wood package, dark high gloss
5MH	Carbon decorative inlays
5RK	Door mirror, right, flat
5RP	Right exterior mirror, convex with camera
5RQ	Exterior mirror, right, convex
5RR	Door mirror, right, convex (US)
5RT	Door mirror, right, convex (AGCC)
5RV	Door mirror, right, aspherical
5SG	Door mirror, left, flat
5SJ	Door mirror, left, convex
5SL	Door mirror, left, aspherical
5SU	Left exterior mirror, convex with camera
5TE	Aluminium "sport" package
5TF	"Olive" wood package, light high gloss
5TK	Decorative inlays, grained olive wood
5W0	Roof rail, Titanium-Metallic
5W2	Preparation for roof rack, bright, silver
5W3	Roof rack black, guide rails bright
6A0	without fire extinguisher
6A4	Preparation for fire extinguisher
6A5	Fire extinguishers
6A7	With fire extinguisher
6EA	Without additional body covers, side stone guards
6EB	Additional body covers, stone guards and partial cover
6EP	Additional body covers, stone guards, type 1
6EQ	Additional body covers, stone guards, type 2
6ES	Additional body covers, stone guards, type 3
6ET	Additional body covers, stone guards, type 4
6E2	Front centre armrest in natural leather
6E3	Centre armrest, front - PVC foam film
6E4	GTS front centre armrest in natural leather
6E6	Centre armrest, front - smooth leather
6E7	Centre armrest, front - grained leather
6FA	without contrasting colour
6FB	Door-mirror housing painted in exterior colour
6FI	Contrasting colour: Orange

Model: 9PA108

Model life 2007>>2010

NR	Description
6FM	Contrasting colour: Crystal Silver Metallic
6FP	Contrasting colour: Meteor Grey Metallic
6GA	without exterior body styling kit
6GE	Component set - wheel arch extensions, extra wide for Australia
6GF	Component set - wider wheel arch covers
6GG	Component set for wider wheel arch trim (USA/CAN)
6GH	Component set for wider wheel arch trim in exterior colour (USA) - 2010, 2011 - worldwide
6GJ	Component set for wider wheel arch trim in exterior colour (RoW) - 2010, 2011 - worldwide
6GK	Component set for wider wheel arch trim in exterior colour (AUS)
6NA	One-piece rooflining in Alcantara, USA
6NF	One-piece rooflining in Alcantara, Canada
6NJ	Standard rooflining, fabric
6NL	Standard rooflining in fabric, Canada
6NN	Alcantara rooflining
6NQ	Roof lining, standard, fabric, USA
6N1	Mudguards, rear
6P1	Number-plate holder, rear (ECE)
6P2	Number-plate holder, rear (USA)
6Q2	Gear selector knob + grip in leather, gear lever in leather/aluminium
6Q8	Gear lever, wood, dark
6W1	Number-plate holder, front, large (ECE)
6W2	Number-plate holder, front, small (RoW)
6W3	Number-plate holder, front (NAR)
6XP	Door mirrors, electrically retractable, electrically adjustable, separately heated
6XQ	Exterior mirror with memory function, electr. retractable/adjustable, separately heated
6XT	Door mirrors, automatically dimmable, electrically retractable/adjustable, separately heated + memory
6XW	Door mirrors, automatically dimmable, electrically retractable/adjustable, separately heated
7AC	Alarm system, interior surveillance, alarm horn
7AH	Alarm system, interior surveillance can be deactivated Backup horn
7AK	Alarm system, interior surveillance system, anti-towing protection
7AL	Alarm system, interior surveillance system, backup horn, anti-towing protection
7AT	Alarm system, interior surveillance, with VTS (Vehicle Tracking System)

Model: 9PA108 Model life 2007>>2010

NR	Description
7AU	Alarm system, backup horn, with VTS (Vehicle Tracking System)
7A1	Preparation for CD autochanger
7A2	CD autochanger (6-disc)
7B2	Five 12-volt plug sockets (USA)
7B3	Four 12-volt plug sockets (ROW)
7B6	Six 12-V sockets
7B7	Five 12-V sockets
7B8	Seven 12-V sockets
7D7	Integrated CD/DVD autochanger
7F7	Gear lever, wood, light, high gloss
7GA	Emission standard LEV 2
7GG	EU 4 emissions concept with particle filter
7G1	VTS (Vehicle Tracking System) preparation, without driver card
7G2	VTS (Vehicle Tracking System) preparation, with driver card
7G5	Preparation, VTS (Vehicle Tracking System), with driver card, connection to alarm system, re-start inhibitor
7K3	Tyre pressure monitoring (TPM) 433 MHz
7K4	Tyre pressure monitoring system 315 MHz
7K5	315-MHz Tire Pressure Monitoring with reduced transmission power
7M0	Door entry guards of plastic from MY 04
7M1	Door entry guards of stainless steel from MY 04
7QT	Navigation "Europe package"
7QV	Navigation south africa
7QX	Navigation North America
7QZ	Navigation middle east
7Q0	not with navigation system
7Q2	PCM navigation module
7Q4	Navigation system preparation, Japan
7Q7	PCM incl. navigation & compass display in instrument cluster
7RA	Navigation, Australia
7RB	Navigation, Hong Kong
7RC	Navigation, Singapore
7RD	Navigation Taiwan
7RV	Navigation Russia
7T0	Compass display in instrument cluster
7T1	Offroad navigation, with course calculator showing latitude and longitude
7T3	Offroad navigation, with course calculator showing latitude and longitude + COMPASS
7T7	Navigation system preparation, China

Model: 9PA108

Model life 2007>>2010

NR	Description
7VE	Auxiliary heater with integrated timer.
7VL	Auxiliary heater with integrated timer and remote control
7X0	Without park distance control
7X1	Ultrasound ParkAssist and reversing camera
7X2	ParkAssist, front/rear
7X3	Rear view camera system
7X8	Ultrasound parking aid and reversing camera
7X9	Rear view camera system
8BB	Halogen main headlights, right-hand traffic
8BC	Main headlights with gas-discharge lamps + direction indicators, XENON, right-hand traffic
8BF	Halogen main headlight, left-hand traffic
8BR	Halogen main headlights, U.S. version with direction indicator and running lights, right-hand traffic
8BZ	Main headlights with gas-discharge lamps + direction indicators, XENON, left-hand traffic
8DQ	Basic radio/PCM terminal, USA, double-DIN colour display
8DR	Porsche CDR 30 radio WW
8DU	Porsche CDR 23 radio WW
8DV	Basic radio/PCM terminal, RoW, double-DIN colour display
8EE	Xenon, ECE, left-hand traffic (Black)
8EF	Xenon, ECE, right-hand traffic (Black)
8EG	Xenon, USA, right-hand traffic (Black)
8FE	Preparation for second battery
8F2	side-mounted turn signals
8F5	Side-marker lamps and turn signals
8GH	Alternator 190 A
8GR	Alternator 150 A
8GV	Alternator 180 A
8JD	Main headlights with gas-discharge lamps U.S. version, XENON RHD
8K0	No special driving light activation
8K1	Daytime driving light setting, Scandinavia
8K3	Daytime driving lights, auxiliary driving lights, RoW, with COMING/LEAVING HOME function
8K4	Daytime driving light setting, Canada
8K5	Auxiliary driving lights, USA (NAR)
8K8	Auxiliary driving lights (RoW)
8K9	Daytime driving lights, auxiliary driving lights, Canada (NAR), with COMING/LEAVING HOME function
8L6	Diversity antenna
8N3	Wipers - variable interval setting with rain sensor
8Q0	Without headlight range control

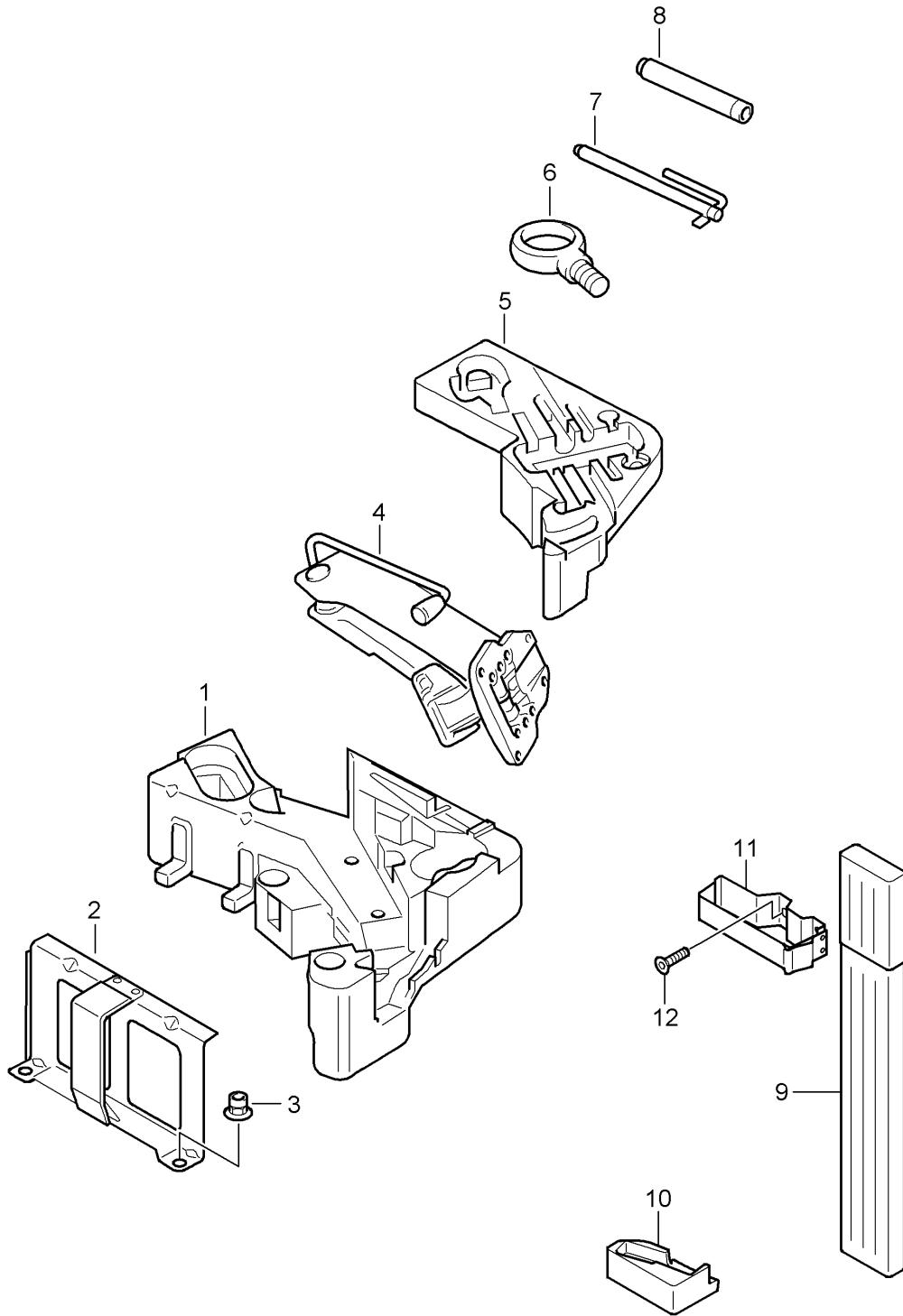
Model: 9PA108

Model life 2007>>2010

NR	Description
8Q1	Headlight levelling, manual
8Q3	Headlight levelling - dynamic
8RV	10 loudspeakers, passive
8TF	Rear left and right fog lights
8T1	Cruise control
8T3	Automatic distance control + cruise control ACC from MY 04
8WB	Front fog lamps
8WU	Roof-mounted lights
8X0	Without headlamp washer system
8X1	Headlamp washer system
8YZ	Without radio but with preparation for 10 loudspeakers
8ZM	Antenna in rear spoiler
9AB	Manually controlled air conditioning system
9AD	Climatronic, free of CFCs
9AH	4-zone air conditioning system
9C8	Without specific driving light circuit, USA
9G1	220 A generator
9JA	Non-smoker package
9JB	Smoker version; ashtrays at front and rear engine compartment lighting
9L1	Interior lighting in basic equipment
9MB	Comfort interior lighting, dimmable, with light strips on door panels
9M0	Without auxiliary heater/parking heater
9M5	Preheater for diesel
9Q1	Multi-function display, on-board computer
9TF	Courtesy entry and exit lights
9TH	Safety lights on front and rear doors
9T1	Heated washer nozzles, front
9VL	Bose Surround Sound System
9WC	Without multimedia in the vehicle rear
9WM	Preparation for "Rear Seat Entertainment"
9W0	Without preparation for installation of car phone
9W1	Telephone module without passive handset
9W5	BLUETOOTH mobile phone preparation
9ZF	Telephone preparation for VDA mobile phone with hands-free facility
9ZH	Installation of car phone with emergency-call system - PCM telematics
9ZP	Telephone module with passive handset
9ZT	Telephone preparation USA, JAPAN

Model: 9PA108

Model life 2007>>2010



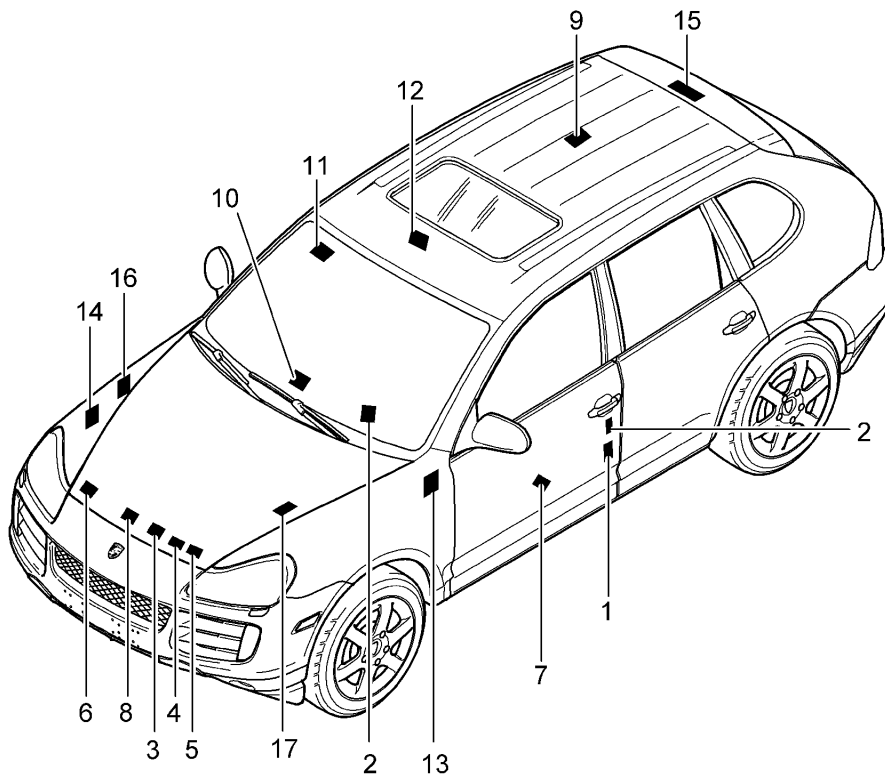
Model: 9PA108

Model life 2007>>2010

Pos	Part Number	Description	Remark	Qty	Model
1	955 721 101 00	Tool jack socket - jack		1	
2	955 721 111 00	Bracket		1	
3	N 102 058 02	Hexagon collar nut self-locking M 6		2	
4	955 721 211 01	jack		1	
5	955 721 102 00	Mounting for vehicle tools		1	
6	955 721 151 00	Tow hitch		1	
-	955 721 153 00	Extractor for Hub cap		1	
7	955 721 135 01	No longer use the part here Socket wrench Release Headlights Rear light		1	
8	999 571 074 30	Threaded stud for Wheels		1	
-	955 721 135 02	socket wrench for wheel bolts		1	
-	955 721 135 03	Double open-ended spanner 10 X 13		1	
-	955 721 135 04	screwdriver		1	
9	000 722 722 05	warning triangle Discontinued part		1	
9	000 722 722 06	warning triangle		1	
10	955 721 723 00	Support warning triangle		1	
11	955 721 724 00	retaining strap for warning triangle		1	
12	N 908 183 01	Socket head bolt with hexagon socket head M 6 X 9		2	
-	993 722 041 00	first aid kit		1	
-	955 721 725 00	Wedge		2	

Model: 9PA108

Model life 2007>>2010



Model: 9PA108 Model life 2007>>2010

Pos	Part Number	Description	Remark	Qty	Model
-		Signs/notices			
1	955 701 297 00	Signs/notices Tyre pressure Data plate for tyre pressure		1	PR:D5X,B0A, B0M,B0N,B0R, B1C,B1D,B1P, B2G,B1Q
1	955 701 297 00	Data plate for tyre pressure		1	PR:D50,B0A, B0M,B0N,B0R, B1C,B1D,B1P, B2G,B1Q
(1)	955 701 297 05	Data plate for tyre pressure		1	PR:D5V,B0A, B0M,B0N,B1C, B1D,B1P,B2G, B1Q
(1)	955 701 297 10	Data plate for tyre pressure D >> - MJ 2008		1	PR:D5Z,B0A, B0M,B0N,B1C, B1D,B1P,B2G, B1Q
(1)	955 701 297 11	Data plate for tyre pressure		1	PR:D5Z,B0A, B0M,B0N,B1C, B1D,B1P,B2G, B1Q
(1)	955 701 299 00	D - MJ 2009>> Data plate for tyre pressure		1	PR:D5X,B0L
(1)	955 701 299 05	Data plate for tyre pressure		1	PR:D5V,B0L
(1)	955 701 299 10	Data plate for tyre pressure		1	PR:D5Z,B0L
(1)	955 701 299 15	Data plate for tyre pressure D >> - MJ 2008		1	PR:D5Z,B0L
(1)	955 701 298 50	D - MJ 2009>> Data plate for tyre pressure		1	PR:D5X,B0R
(1)	955 701 298 55	Data plate for tyre pressure		1	PR:D5V,B0R
(1)	955 701 298 60	Data plate for tyre pressure		1	PR:D5Z,B0R
(1)	955 701 298 75	Sticker Comfort air pressure		1	PR:B0A,B0E, B0M,B0N,B0R, B1C,B1D,B1P, B2G,B1Q
(1)	955 701 298 80	Sticker Comfort air pressure		1	PR:B0L
(1)	955 701 290 00	Notice tyre pressure control system	lhd	1	PR:L0L
(1)	955 701 291 00	Notice tyre pressure control system	rhd	1	PR:L0R
2	955 701 387 00	Sticker Top speed		1	
(2)	955 701 387 10	240 Km/h Sticker		1	
(2)	955 701 387 20	Top speed 190 Km/h Sticker		1	
(2)	955 701 388 00	Top speed 210 Km/h Sticker		1	
-		Top speed 120 Mph / 190 Km/h Signs/notices Engine specifications			

Model: 9PA108 Model life 2007>>2010

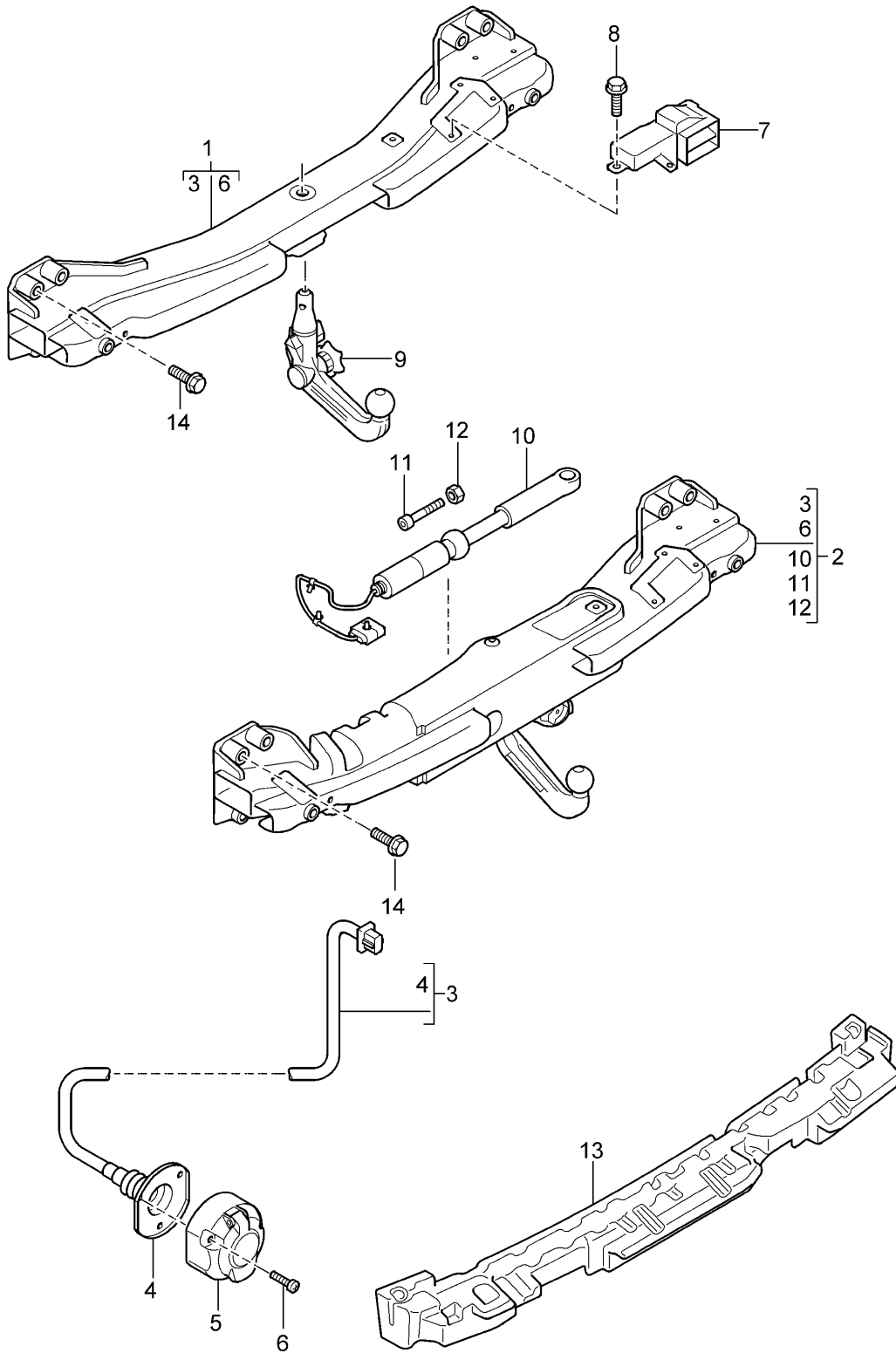
Pos	Part Number	Description	Remark	Qty	Model
(3)	955 006 108 00	Sticker Exhaust gas D - MJ 2008>> - MJ 2008		1	(THA) PR:D5V,D5X, D5Z
(3)	955 006 108 10	Sticker Exhaust gas D - MJ 2009>>		1	(THA) PR:D5V,D5X, D5Z
4	955 006 150 00	Sticker Assembly v-belt		1	PR:D5V,D5Z
4	955 006 150 10	Sticker Assembly v-belt		1	PR:B0L
(4)	955 006 675 00	Sticker Motor fan		1	PR:B0L
(4)	955 701 676 25	Sticker Air conditioning		1	PR:B0L
6	955 701 141 00	Sticker Air conditioning		1	
7	955 701 673 00	Sticker Battery		1	PR:B0L
8	997 006 544 00	Sticker engine oil - MOBILLOEL -		1	PR:-D50
8	955 006 544 00	Sticker engine oil - MOBILLOEL -		1	PR:D50
9	955 006 117 10	Sticker Type of fuel 98/95 ROZBLEIFREI		1	PR:B0A,B0L, B0N,B0R,B1C, B1D,B1P,B2G
(9)	955 006 117 30	Sticker Type of fuel 95/98 ROZ		1	PR:B0M
(9)	955 701 676 10	Sticker Fuel filler flap		1	PR:B0L
(9)	955 701 676 15	sticker for fuel filler neck		1	PR:B0L
(9)	955 701 676 20	Sticker Type of fuel		1	PR:D50
(9)	955 701 119 00	Sticker Auxiliary heater		1	PR:7VL,7VE
-		Signs/notices Airbag			
11	955 701 435 00	Warning sign Airbag		1	PR:B0A,B0D, B0E,B0L,B0N, B1C,B2G
(11)	955 701 435 10	Warning sign Airbag		1	PR:B1P
(11)	955 701 435 20	Warning sign Airbag		1	PR:B0M
(11)	955 701 435 30	Warning sign Airbag		1	PR:B0R
(11)	955 701 675 20	Sticker Airbag		1	PR:B0L
(11)	955 701 676 00	Sticker Warning light Engine		1	PR:B0L
12	955 701 675 10	Sticker Recycling		1	PR:B0L
13	955 701 433 00	Warning sign (drivers side)		1	PR:B0L
(13)	955 701 432 00	Warning sign (passenger side)		1	PR:B0L
14	955 701 160 00	Sticker		1	PR:-B0L

Model: 9PA108 Model life 2007>>2010

Pos	Part Number	Description	Remark	Qty	Model
14	955 701 160 10	Window cleaner Sticker		1	PR:B0L
15	955 701 289 00	Window cleaner Sticker Spare wheel D >> - MJ 2008		1	PR:B0R,1G1, 1G6
(15)	955 701 289 00	Sticker Spare wheel D - MJ 2009>>		1	PR:D5X,D5V, D50,B0R,1G1
(15)	955 701 298 70	Sticker Spare wheel D - MJ 2009>>		1	PR:D5Z,B0R, 1G4
(15)	955 701 292 00	Sticker Spare wheel D >> - MJ 2008		1	PR:B0M,1G1, 1G6
(15)	955 701 292 00	Sticker Spare wheel D - MJ 2009>>		1	PR:B0M,D5V, D5X,1G1
(15)	955 701 292 10	Sticker Spare wheel D - MJ 2009>>		1	PR:B0M,D5Z, 1G4
(15)	955 701 293 00	Sticker Spare wheel D >> - MJ 2008		1	PR:B1P,1G1
(15)	955 701 293 00	Sticker Spare wheel D - MJ 2009>>		1	PR:B1P,D5V, D5X,1G1
(15)	955 701 293 10	Sticker Spare wheel D - MJ 2009>>		1	PR:B1P,D5Z, 1G4
(15)	955 701 294 00	Sticker Spare wheel D >> - MJ 2008		1	PR:1G1,1G6
(15)	955 701 294 00	Sticker Spare wheel D - MJ 2009>>		1	PR:D5V,D5X, 1G1
(15)	955 701 294 10	Sticker Spare wheel D - MJ 2009>>		1	PR:D5Z,1G4
(15)	955 701 675 15	Sticker Import Japan		1	PR:B0L
16	955 701 675 00	Sticker Reservoir		1	PR:B0L
17	955 701 675 05	Sticker brake fluid		1	PR:B0L

Model: 9PA108

Model life 2007>>2010



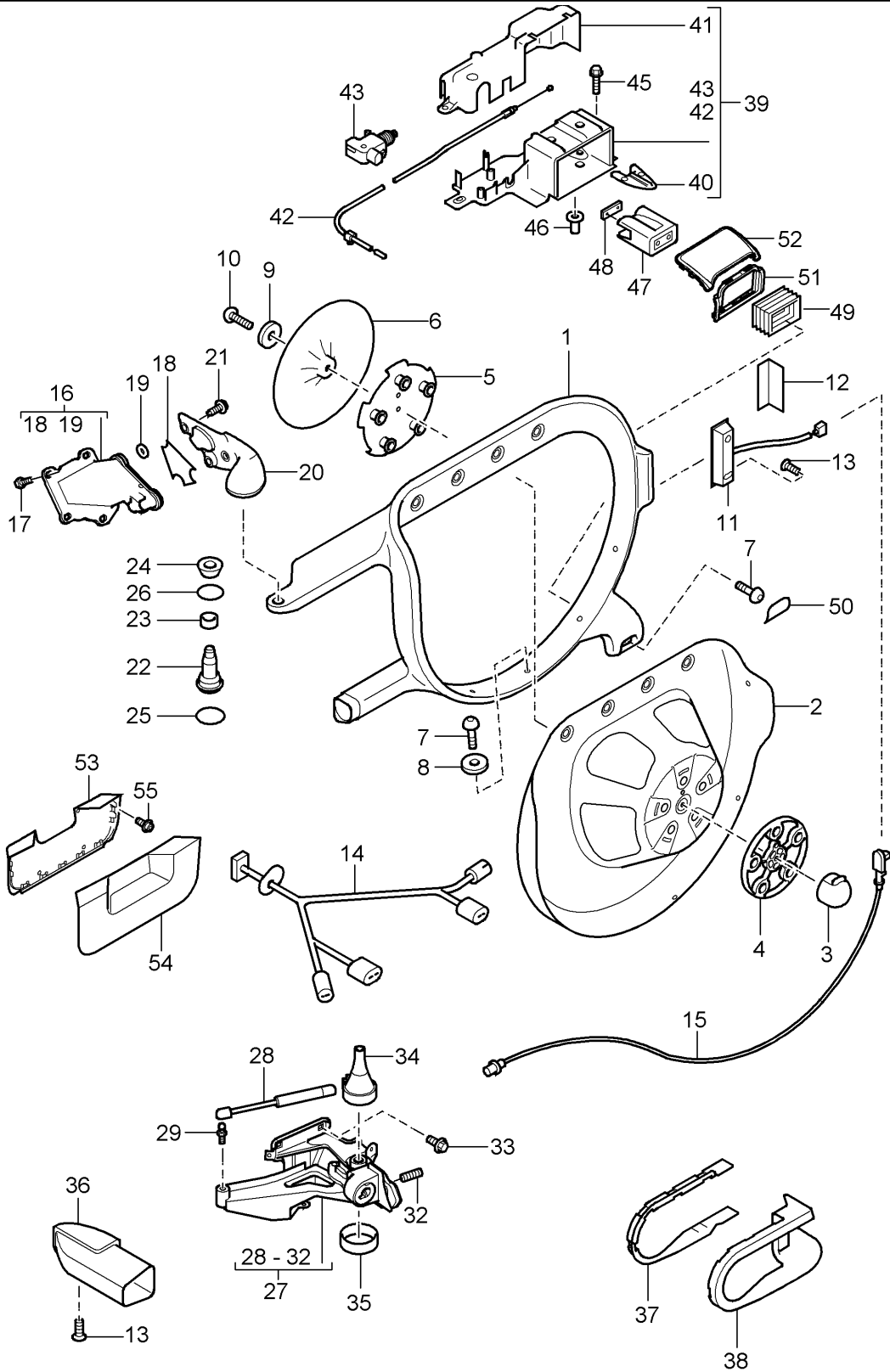
Model: 9PA108

Model life 2007>>2010

Pos	Part Number	Description	Remark	Qty	Model
1	955 722 003 01	Tow hitch Tow hitch		1	PR:1D2
		with:			
(1)	955 722 006 00	Wire set Tow hitch		1	PR:1D6 "AUS"
		with:			
-	955 722 030 10	Wire set Dummy cover		1	PR:1D2
		Tow hitch red			
2	955 722 005 02	Tow hitch		1	PR:1D9
		with:			
		Wire set D >> - MJ 2008			
2	955 722 005 03	Tow hitch		1	PR:1D9
		with:			
		Wire set D - MJ 2009>>			
3	955 612 505 01	Wire set		1	PR:1D2
(3)	955 612 507 01	Wire set		1	PR:1D9
(3)	955 612 508 00	Wire set		1	PR:1D6 "AUS"
4	955 612 520 01	Cable support sleeve		1	
5	955 612 533 01	Socket		1	PR:1D2,1D9
(5)	999 650 893 40	Socket		1	PR:1D6 "AUS"
6	N 014 156 5	fillister hd. bolt M 5 X 30		3	
7		Locking mechanism Bracket Spare wheel			PR:1G3
		see illustration:	002-005		
8		Hexagon bolt			PR:1G3
		see illustration:	002-005		
9	955 722 023 01	ball head Discontinued part		1	PR:1D2
9	958 722 023 00	ball head		1	PR:1D2
10	955 624 010 00	Electric motor Tow hitch		1	PR:1D9
11	999 218 069 02	Socket head bolt M 5 X 40		3	
12	900 910 007 02	Locknut M 5		3	
13	955 722 025 10	Foam part		1	PR:1D2,1D6
(13)	955 722 026 10	Foam part		1	PR:1D9
14	N 910 292 02	Hex collared bolt BM 12 x 1,5 x 100		8	

Model: 9PA108

Model life 2007>>2010



Model: 9PA108 Model life 2007>>2010

Pos	Part Number	Description	Remark	Qty	Model
1	955 722 010 00	Bracket Spare wheel Retaining frame	outer outer	1	
2	955 722 010 00 4W9 955 722 012 00	Satin aluminium Cradle Spare wheel		1	
3	955 722 012 00 03C 955 722 013 00	Rally black Centring piece Spare wheel		1	
4	955 722 075 00	Distance piece		1	
5	955 722 014 00	Threaded plate		1	
6	955 722 015 00	Cover cap Wheel bolts		1	
7	955 722 015 00 01C N 910 489 01	Satin black Hex socket head collared bolt M 8 X 28		12	
8	955 722 401 00	Shim 4,3 MM		3	
(8)	955 722 402 00	Shim 5,1 MM		2	
(8)	955 722 403 00	Shim		1	
9	N 910 651 01	Washer 8,4 X 28 X 2,5		1	
10	N 103 156 03	Hexagon bolt AM 8 X 40		1	
11	955 613 271 01	Tip switch		1	
12	955 722 017 00	Protective cap Tip switch		1	
13	955 722 017 00 4W9 N 104 272 02	Satin aluminium countersunk bolt M 5 X 12		3	
14	955 612 812 01	Wire set		1	
15	955 612 813 00	Wire set		1	
16	955 722 020 02	Support	upper inner	1	
17	N 101 277 07	Hex collared bolt M 8 X 26		4	
18	955 722 404 00	Distance piece		1	
19	955 722 405 00	seal ring		3	
20	955 722 121 00	Support	upper	1	
21	955 722 121 00 4W9 N 910 460 02	Satin aluminium fillister hd. bolt M 8 X 35		3	
22	955 722 406 00	Pin		1	
23	955 722 407 00	Articulated support		1	
24	955 722 408 00	Distance piece		1	
25	955 722 409 00	Securing ring		1	
26	955 722 410 00	snap ring		1	
27	955 722 201 03	Mounting	lower	1	
28	955 722 411 00	Gas filled strut		1	
29	955 722 413 00	Ball stud		2	
32	N 106 086 02	threaded pin M 16 X 25		2	
33	N 106 266 01	Hexagon bolt M 8 X 30		4	
34	955 722 255 10	Cap	upper	1	
35	955 722 256 00	Cap	lower	1	
36	955 722 203 00	Trim Mounting	lower	1	
37	955 722 203 00 4W9 955 722 204 10	Satin aluminium Frame Mounting	lower	1	

Model: 9PA108 Model life 2007>>2010

Pos	Part Number	Description	Remark	Qty	Model
38	955 722 205 11	Cover Mounting	lower	1	
	955 722 205 11 4W9	Satin aluminium			
39	955 722 031 02	Locking mechanism Bracket Spare wheel D >> - MJ 2009 Discontinued part		1	
39	955 722 031 03	Locking mechanism Bracket Spare wheel		1	
40	955 722 032 11	Rubber stop	upper	1	
(40)	955 722 032 01	Rubber stop	lower	1	
41	955 722 035 01	Cover Locking mechanism		1	
42	955 722 525 00	Emergency operation		1	
43	955 624 521 00	Servomotor D >> - MJ 2009 Discontinued part		1	
43	955 624 521 01	Servomotor		1	
-	955 624 523 00	Connecting piece		1	
-	955 624 525 00	end piece		1	
45	N 014 156 5	fillister hd. bolt M 6 X 25		4	
46	N 908 179 02	rivetted cap nut M 6		4	
47	955 722 251 00	Retaining bar		1	
48	955 722 252 00	Counterplate Retaining bar		1	
49	955 722 253 00	Bellows		1	
	955 722 253 00 01C	Satin black			
50	955 722 254 00	Cover cap		1	
	955 722 254 00 4W9	Satin aluminium			
51	955 722 142 00	Cover frame		1	
52	955 722 277 00	Cover cap for Trim	rear	1	
53	955 722 261 00	Cradle		1	
	955 722 261 00 01C	Satin black			
54	955 722 262 00	Cover		1	
	955 722 262 00 B41	Satin black			
55	N 101 319 03	Hexagon bolt M 6 X 14		4	

Model: 9PA108

Model life 2007>>2010

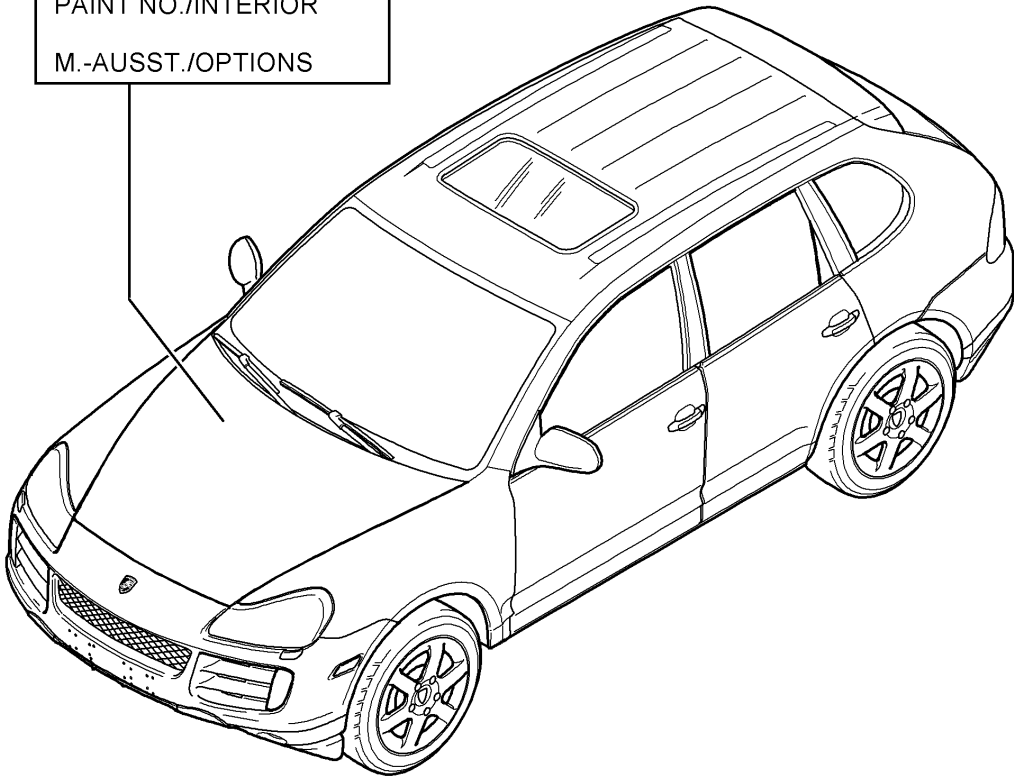
FAHRZG.-IDENT-NR.
VEHICLE.-IDENT-NO.

TYP/TYPE

MOTORKB./GETR.KB.
ENG.CODE/TRANS.CODE

LACKNR./INNENAUSST.
PAINT NO./INTERIOR

M.-AUSST./OPTIONS

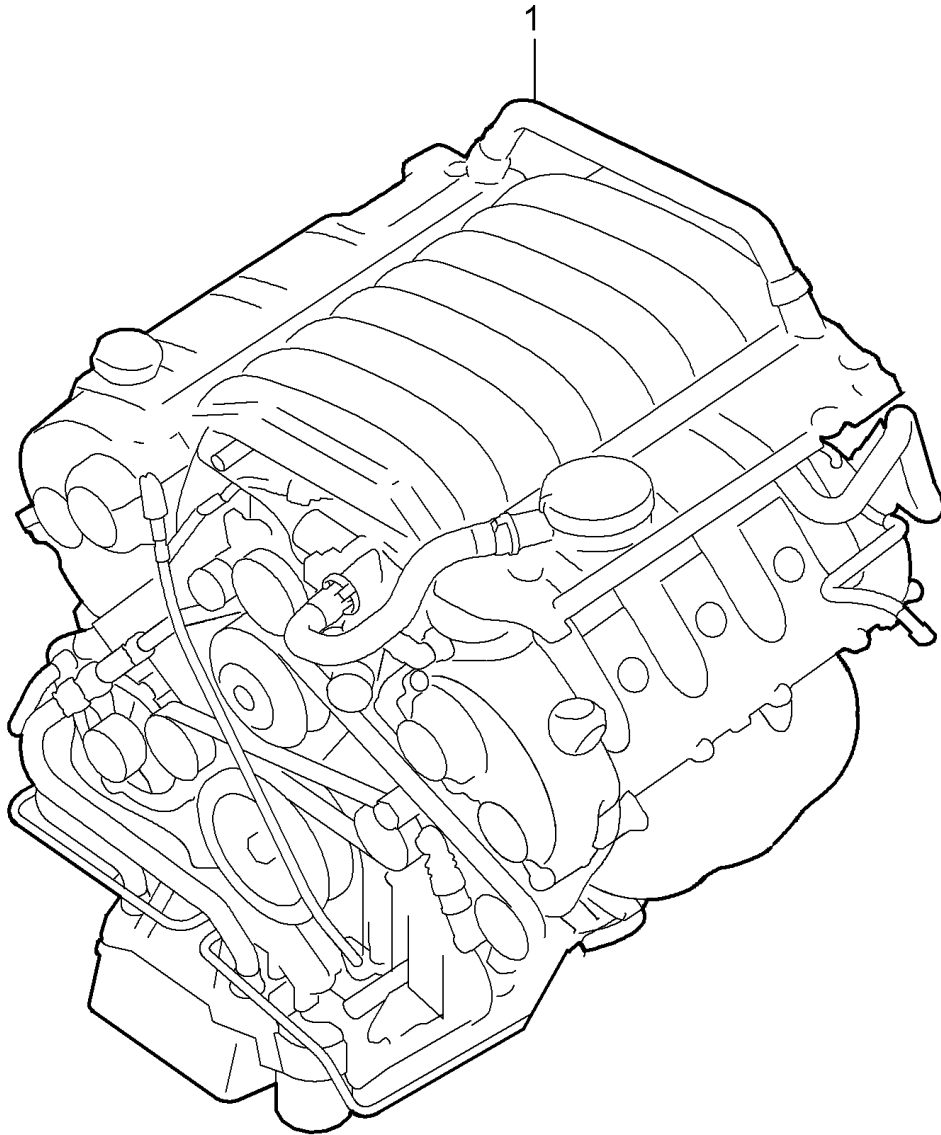


Model: 9PA108 Model life 2007>>2010

Pos	Part Number	Description	Remark	Qty	Model
		paint touch-up applicator			
		Paints			
-	911 095 932 20	paint touch-up applicator		X	
	911 095 932 20 041	Black			A 1
	911 095 932 20 R9A	Ivory white			R 6
	911 095 932 20 M3E	GTS Red			Z 6
-	911 095 933 20	Paint pen set		X	
		Set			
		comprising:			
		base paint			
		clear paint			
	911 095 933 20 M3W	Carmon red metallic			E 4
	911 095 933 20 M1W	Jarama beige metallic			D 5
	911 095 933 20 A7W	Crystal silver metallic			8 E
	911 095 933 20 C9Z	Basalt black metallic			Z 4
	911 095 933 20 4W9	Satin aluminium			
	911 095 933 20 M6X	Dark olive-metallic			7 G
	911 095 933 20 D5Q	Marine blue metallic			P 6
	911 095 933 20 M6U	Olive Green Metallic			D 4
	911 095 933 20 M7W	Meteor Grey Metallic			9 Q
	911 095 933 20 M2Z	Nordic Gold Metallic			8 W
	911 095 933 20 M8W	Macadamia Metallic			9 S
	911 095 933 20 R7M	Lava Grey Metallic			9 B

Model: 9PA108

Model life 2007>>2010



Model: 9PA108 Model life 2007>>2010

Pos	Part Number	Description	Remark	Qty	Model
		Replacement engine without: Clutch plate Tiptronic without: flywheel Manual gearbox without: Compressor			4801,4851
1	948 100 948 04	Replacement engine Not Ready for installation M >> 838 20207 Discontinued part		1	4801+ PR:EOA
(1)	948 100 948 DX	Replacement engine Not Ready for installation M >> 838 20207 Discontinued part		1	4801+ PR:EOA
(1)	948 100 948 06	Replacement engine Not Ready for installation M 838 20208 >> for vehicles up to M >> 838 20207 also use: Piwis tester Software Update V19.020 D >> - MJ 2008		1	4801+ PR:EOA
(1)	948 100 948 FX	Replacement engine Not Ready for installation M 838 20208 >> for vehicles up to M >> 838 20207 also use: Piwis tester Software Update V19.020 D >> - MJ 2008		1	4801+ PR:EOA
(1)	948 100 948 08	Replacement engine Not Ready for installation M >> 9 05540 for vehicles up to M >> 838 20207 also use: Piwis tester Software Update V19.020 D - MJ 2009>>		1	4801+ PR:EOA
(1)	948 100 948 HX	Replacement engine Not Ready for installation M >> 9 05540 for vehicles up to M >> 838 20207 also use: Piwis tester		1	4801+ PR:EOA

Model: 9PA108 Model life 2007>>2010

Pos	Part Number	Description	Remark	Qty	Model
(1)	948 100 948 10	Software Update V19.020 D - MJ 2009>> Replacement engine Not Ready for installation M 9 05541 >> for vehicles up to M >> 838 20207 also use: Piwis tester Software Update V19.020 D >> - MJ 2009		1	4801+ PR:E0A
(1)	948 100 948 KX	Replacement engine Not Ready for installation M 9 05541 >> for vehicles up to M >> 838 20207 also use: Piwis tester Software Update V19.020 D >> - MJ 2009		1	4801+ PR:E0A
(1)	948 100 948 12	Replacement engine Not Ready for installation for vehicles up to M >> 838 20207 also use: Piwis tester Software Update V19.020 D - MJ 2010>>		1	4801+ PR:E0A
(1)	948 100 948 MX	Replacement engine Not Ready for installation for vehicles up to M >> 838 20207 also use: Piwis tester Software Update V19.020 D - MJ 2010>>		1	4801+ PR:E0A
(1)	948 100 948 07	Replacement engine Not Ready for installation for vehicles up to M >> 858 01039 also use: Piwis tester Software Update V19.020 D - MJ 2010>>		1	4801+ PR:E0W
(1)	948 100 948 GX	Replacement engine Not Ready for installation for vehicles up to M >> 858 01039 also use: Piwis tester Software Update V19.020 D - MJ 2008>> - MJ 2008		1	4801+ PR:E0W

Model: 9PA108 Model life 2007>>2010

Pos	Part Number	Description	Remark	Qty	Model
(1)	948 100 948 09	Ready for installation for vehicles up to M >> 858 01039 also use: Piwis tester Software Update V19.020 D - MJ 2008>> - MJ 2008 Replacement engine Not		1	4801+ PR:E0W
(1)	948 100 948 JX	Ready for installation for vehicles up to M >> G 9 04964 M >> 858 01039 also use: Piwis tester Software Update V19.020 D - MJ 2009>> Replacement engine Not		1	4801+ PR:E0W
(1)	948 100 948 11	Ready for installation for vehicles up to M >> G 9 04964 M >> 858 01039 also use: Piwis tester Software Update V19.020 D - MJ 2009>> Replacement engine Not		1	4801+ PR:E0W,E2D
(1)	948 100 948 LX	Ready for installation for vehicles up to M G 9 04965 >> M >> 858 01039 also use: Piwis tester Software Update V19.020 D >> - MJ 2009 Replacement engine Not		1	4801+ PR:E0W,E2D
(1)	948 100 948 13	Ready for installation for vehicles up to M >> 858 01039 also use: Piwis tester Software Update V19.020 D >> - MJ 2009 Replacement engine Not		1	4801+ PR:E0W,E2D, E1T

Model: 9PA108 Model life 2007>>2010

Pos	Part Number	Description	Remark	Qty	Model
(1)	948 100 948 NX	Piwis tester Software Update V19.020 D - MJ 2010>> Replacement engine Not Ready for installation for vehicles up to M >> 858 01039 also use: Piwis tester Software Update V19.020 D - MJ 2010>>		1	4801+ PR:E0W,E2D, E1T
(1)	948 100 950 42	Replacement engine Not Ready for installation M >> 848 09397		1	4851+ PR:E0A
(1)	948 100 950 1X	Discontinued part Replacement engine Not Ready for installation M >> 848 09397		1	4851+ PR:E0A
(1)	948 100 950 44	Discontinued part Replacement engine Not Ready for installation M 848 09398 >> for vehicles up to M >> 848 09397 also use: Piwis tester Software Update V19.020 D >> - MJ 2008		1	4851+ PR:E0A
(1)	948 100 950 3X	Replacement engine Not Ready for installation M 848 09398 >> for vehicles up to M >> 848 09397 also use: Piwis tester Software Update V19.020 D >> - MJ 2008		1	4851+ PR:E0A
(1)	948 100 950 46	Replacement engine Not Ready for installation M >> 9 01688 for vehicles up to M >> 848 09397 also use: Piwis tester Software Update V19.020 D - MJ 2009>>		1	4851+ PR:E0A
(1)	948 100 950 5X	Replacement engine		1	4851+

Model: 9PA108 Model life 2007>>2010

Pos	Part Number	Description	Remark	Qty	Model
(1)	948 100 950 49	Not Ready for installation M >> 9 01688 for vehicles up to M >> 848 09397 also use: Piwis tester Software Update V19.020 D - MJ 2009>> Replacement engine		1	PR:E0A 4851+ PR:E0A
(1)	948 100 950 8X	Not Ready for installation M 9 01689 >> for vehicles up to M >> 848 09397 also use: Piwis tester Software Update V19.020 D >> - MJ 2009 Replacement engine		1	PR:E0A 4851+ PR:E0A
(1)	948 100 950 52	Not Ready for installation for vehicles up to M >> 848 09397 also use: Piwis tester Software Update V19.020 D >> - MJ 2009 Replacement engine		1	PR:E0A 4851+ PR:E0A
(1)	948 100 951 AX	Not Ready for installation for vehicles up to M >> 848 09397 also use: Piwis tester Software Update V19.020 D - MJ 2010>> Replacement engine		1	PR:E0A 4851+ PR:E0A
(1)	948 100 950 45	Not Ready for installation D - MJ 2010>> Replacement engine		1	PR:E81 4851+ PR:E81
(1)	948 100 950 4X	Not Ready for installation D - MJ 2008>> - MJ 2008 Replacement engine		1	PR:E81 4851+ PR:E81

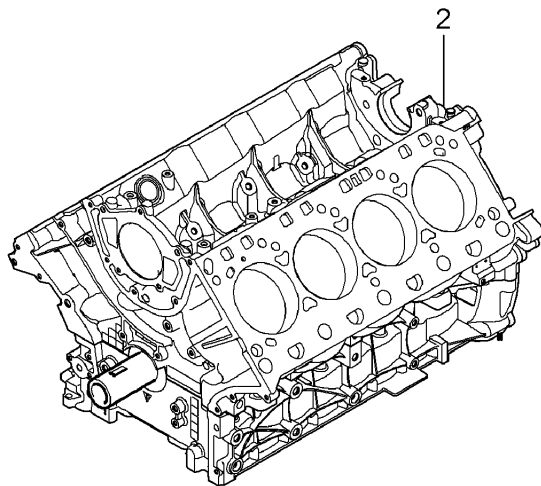
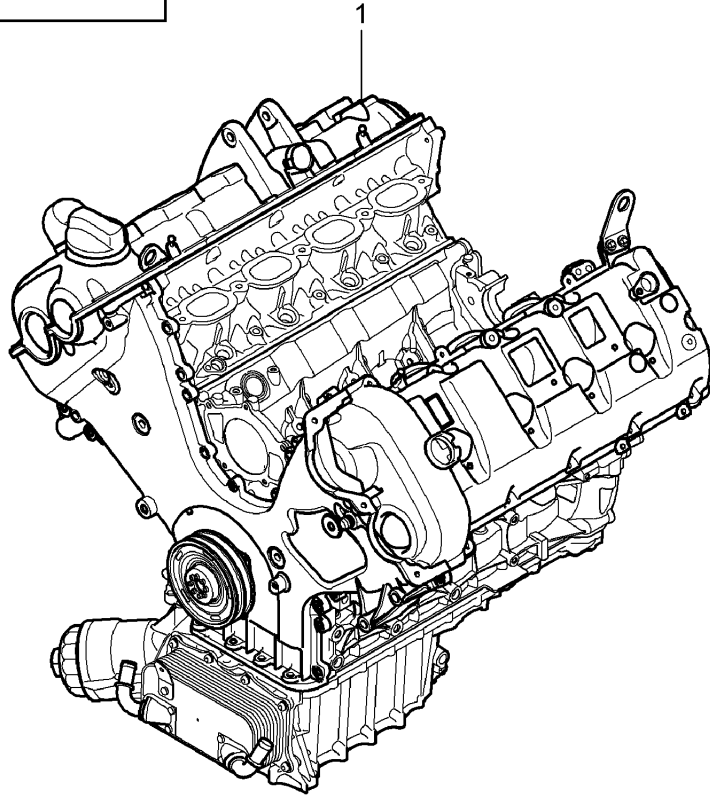
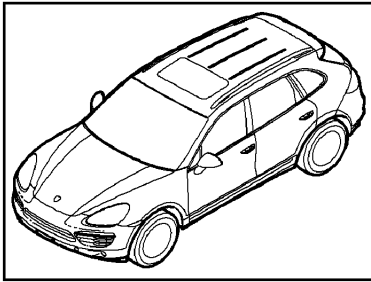
Model: 9PA108

Model life 2007>>2010

Pos	Part Number	Description	Remark	Qty	Model
(1)	948 100 950 47	Ready for installation D - MJ 2008>> - MJ 2008 Replacement engine Not Ready for installation M >> S 9 00561 D - MJ 2009>>		1	4851+ PR:E81
(1)	948 100 950 6X	Replacement engine Not Ready for installation M >> S 9 00561 D - MJ 2009>>		1	4851+ PR:E81
(1)	948 100 950 50	Replacement engine Not Ready for installation M S 9 00562 >> D >> - MJ 2009		1	4851+ PR:E81
(1)	948 100 950 9X	Replacement engine Not Ready for installation M S 9 00562 >> D >> - MJ 2009		1	4851+ PR:E81
(1)	948 100 950 53	Replacement engine Not Ready for installation D - MJ 2010>>		1	4851+ PR:E81
(1)	948 100 951 BX	Replacement engine Not Ready for installation D - MJ 2010>>		1	4851+ PR:E81
(1)	948 100 950 48	Replacement engine Not Ready for installation M >> T 9 01787 D - MJ 2009>>		1	4851+ PR:E8A
(1)	948 100 950 7X	Replacement engine Not Ready for installation M >> T 9 01787 D - MJ 2009>>		1	4851+ PR:E8A
(1)	948 100 950 51	Replacement engine Not Ready for installation M T 9 01788 >> D >> - MJ 2009		1	4851+ PR:E8A
(1)	948 100 951 X	Replacement engine Not Ready for installation M T 9 01788 >> D >> - MJ 2009		1	4851+ PR:E8A
(1)	948 100 950 54	Replacement engine Not Ready for installation D - MJ 2010>>		1	4851+ PR:E8A
(1)	948 100 951 CX	Replacement engine Not Ready for installation D - MJ 2010>>		1	4851+ PR:E8A

Model: 9PA108

Model life 2007>>2010



Model: 9PA108 Model life 2007>>2010

Pos	Part Number	Description	Remark	Qty	Model
(1)	948 100 948 60	Base engine Short block Base engine comprising: Valve cover Cylinder head oil sump Valve cover without: Gaskets		1	4801,4851 4801+ PR:EOA,EOW
			also use:		
			7PP 103 113	1	
			948 604 206 01	1	
			948 111 181 01	2	
			999 170 130 90	8	
			999 707 582 41	1	
			999 707 581 41	1	
			948 110 615 00	1	
			N 906 651 01	10	
		M >> 9 05540			
		M >> 8 3 89999			
		M >> G 9 04964			
(1)	948 100 948 RX	Base engine comprising: Valve cover Cylinder head oil sump Valve control without: Gaskets		1	4801+ PR:EOA,EOW
			also use:		
			7PP 103 113	1	
			948 604 206 01	1	
			948 111 181 01	2	
			999 170 130 90	8	
			999 707 582 41	1	
			999 707 581 41	1	
			948 110 615 00	1	
			N 906 651 01	10	
		M >> 9 05540			
		M >> 8 3 89999			
		M >> G 9 04964			
(1)	948 100 948 60	Base engine comprising: Valve cover Cylinder head oil sump Valve control Parts kit without: Gaskets		1	4801+ PR:EOA,EOW
			also use:		
			948 111 181 01	2	
			999 170 130 90	8	
			999 707 582 41	1	
			999 707 581 41	1	
			948 110 615 00	1	
			N 906 651 01	10	
		M 9 05541 >>			
		M G 9 04965 >>			
(1)	948 100 948 RX	Base engine comprising: Valve cover Cylinder head oil sump Valve control		1	4801+ PR:EOA,EOW

Model: 9PA108 Model life 2007>>2010

Pos	Part Number	Description	Remark	Qty	Model
-	948 101 910 20	Parts kit without: Gaskets also use:	948 111 181 01 999 170 130 90 999 707 582 41 999 707 581 41 948 110 615 00 N 906 651 01	2 8 1 1 1 10	4801
(1)	948 100 951 60	M 9 05541 >> M G 9 04965 >> Sealing flange Parts kit for Base engine 94810094860 948100948RX also use:	999 707 360 40 948 106 533 00 948 106 124 02 948 106 154 01 999 707 586 40 999 701 825 40 948 107 437 00 948 107 439 00 948 107 439 10 999 707 606 40 999 704 020 90 948 110 146 01	1 1 2 2 2 2 4 2 2 8 8 8	4851+ PR:E0A,E8A, E81
(1)	948 100 951 RX	Base engine comprising: Valve cover Cylinder head oil sump Valve control without: Seal also use:	M >> 9 01688 M >> T 9 01787 M >> S 9 00561 7PP 103 113 948 604 206 01 948 111 181 01 999 170 228 90 999 707 582 41 999 707 581 41 948 110 615 00 N 906 651 01	1 1 2 8 1 1 1 10	4851+ PR:E0A,E8A, E81
(1)	948 100 951 RX	Base engine comprising: Valve cover Cylinder head oil sump Valve control without: Seal also use:	7PP 103 113 948 604 206 01 948 111 181 01 999 170 228 90 999 707 582 41 999 707 581 41 948 110 615 00	1 1 2 8 1 1 1	4851+ PR:E0A,E8A, E81

Model: 9PA108 Model life 2007>>2010

Pos	Part Number	Description	Remark	Qty	Model
		M >> 9 01688 M >> T 9 01787 M >> S 9 00561	N 906 651 01	10	
(1)	948 100 951 60	Base engine comprising: Valve cover Cylinder head oil sump Valve control Parts kit without: Seal		1	4851+ PR:E0A,E8A, E81
		also use:	948 111 181 01 999 170 228 90 999 707 582 41 999 707 581 41 948 110 615 00 N 906 651 01	2 8 1 1 1 10	
(1)	948 100 951 RX	M 9 01689 >> M T 9 01788 >> M S 9 00562 >> Base engine comprising: Valve cover Cylinder head oil sump Valve control Parts kit without: Seal		1	4851+ PR:E0A,E8A, E81
		also use:	948 111 181 01 999 170 228 90 999 707 582 41 999 707 581 41 948 110 615 00 N 906 651 01	2 8 1 1 1 10	
-	948 101 910 20	M 9 01689 >> M T 9 01788 >> M S 9 00562 >> Sealing flange Parts kit for Base engine 94810095160 948100951RX		1	4851
		also use:	999 707 360 40 948 106 533 00 948 106 124 02 948 106 154 01 999 707 586 40 999 701 825 40 948 107 437 50 948 107 439 50 948 107 439 60 999 707 606 40 999 704 020 90 948 110 146 01	1 1 2 2 2 2 4 2 2 8 8 8	
-	999 707 763 40	O-ring Exhaust gas turbocharger Parts kit for Base engine		2	4851

Model: 9PA108 Model life 2007>>2010

Pos	Part Number	Description	Remark	Qty	Model
		94810095160 948100951RX			
		also use:	900 123 005 20	2	
			900 123 018 20	4	
			948 107 123 50	2	
			999 707 568 40	2	
			999 707 503 40	1	
			900 123 005 20	8	
2	948 100 948 50	Short block comprising: Crankcase housing piston Connecting rod Crankshaft		1	4801+ PR:E0A,E0W
		also use:	948 107 013 05	1	
			7PP 103 113	1	
			948 604 206 01	1	
			948 111 181 01	2	
			999 170 130 90	8	
			N 906 651 01	10	
			000 043 204 58	X	
		M >> 9 05540			
		M >> 8 3 89999			
		M >> G 9 04964			
		M >> 8 5 89999			
(2)	948 100 948 TX	Short block comprising: Crankcase housing piston Connecting rod Crankshaft		1	4801+ PR:E0A,E0W
		also use:	948 107 013 05	1	
			7PP 103 113	1	
			948 604 206 01	1	
			948 111 181 01	2	
			999 170 130 90	8	
			N 906 651 01	10	
			000 043 204 58	X	
		M >> 9 05540			
		M >> 8 3 89999			
		M >> G 9 04964			
		M >> 8 5 89999			
(2)	948 100 948 50	Short block comprising: Crankcase housing piston Connecting rod Crankshaft		1	4801+ PR:E0A,E0W
		also use:	948 107 013 05	1	
			948 111 181 01	2	
			999 170 130 90	8	
			N 906 651 01	10	
			999 073 905 31	7	
			999 073 905 31	75	
			999 073 913 31	2	
			999 073 903 31	2	
			999 073 905 31	3	
			999 915 573 43	X	
		M 9 05541 >>			
		M G 9 04965 >>			
(2)	948 100 948 TX	Short block comprising: Crankcase housing		1	4801+ PR:E0A,E0W

Model: 9PA108 Model life 2007>>2010

Pos	Part Number	Description	Remark	Qty	Model
		piston Connecting rod Crankshaft			
		also use:	948 107 013 05	1	
			948 111 181 01	2	
			999 170 130 90	8	
			N 906 651 01	10	
			999 073 905 31	7	
			999 073 905 31	75	
			999 073 913 31	2	
			999 073 903 31	2	
			999 073 905 31	3	
			999 915 573 43	X	
-	948 101 910 20	M 9 05541 >> M G 9 04965 >> Sealing flange Parts kit for Short block 94810094850 948100948TX		1	4801
		also use:	999 707 360 40	1	
			948 106 533 00	1	
			948 106 124 02	2	
			948 106 154 01	2	
			999 707 586 40	2	
			999 701 825 40	2	
			948 107 437 00	4	
			948 107 439 00	2	
			948 107 439 10	2	
			999 707 606 40	8	
			999 704 020 90	8	
			948 110 146 01	8	
-	999 707 575 40	O-ring Parts kit for Short block 94810094850 948100948TX		1	4801
		also use:	999 707 481 40	1	
			948 101 130 21	1	
			948 101 125 20	1	
			948 101 127 20	1	
			948 101 129 21	1	
			000 043 204 35	X	
			948 104 173 05	1	
			948 104 174 05	1	
			948 104 181 10	20	
-	948 105 935 01	Seal Parts kit for Short block 94810094850 948100948TX		1	4801
		also use:	948 105 936 01	1	
			948 105 938 00	2	
			948 105 937 02	8	
			948 105 169 10	1	
			948 105 023 12	1	
			948 105 068 11	1	
			948 105 065 10	1	
			948 105 180 11	1	
			948 105 166 12	2	

Model: 9PA108 Model life 2007>>2010

Pos	Part Number	Description	Remark	Qty	Model
-	948 107 222 00	Oil filter insert Parts kit for Short block 94810094850 948100948TX	999 015 022 01 999 015 021 01 948 107 252 12	1 2 1 1	4801
		also use:	999 707 496 40 948 107 322 00 999 707 603 40 999 707 567 40 999 707 530 40 999 707 547 40 999 707 585 40 999 707 568 40 948 606 240 0	2 1 1 1 1 1 1 1 1	
(2)	948 100 951 50	Short block comprising: Crankcase housing piston Connecting rod Crankshaft	also use:	1	4851+ PR:E0A,E8A, E81
			948 107 013 55 7PP 103 113 948 604 206 01 948 111 181 01 999 170 228 90 N 906 651 01 000 043 204 58	1 1 1 2 8 10 X	
		M >> 9 01688 M >> T 9 01787 M >> S 9 00561			
(2)	948 100 951 TX	Short block comprising: Crankcase housing piston Connecting rod Crankshaft	also use:	1	4851+ PR:E0A,E8A, E81
			948 107 013 55 7PP 103 113 948 604 206 01 948 111 181 01 999 170 228 90 N 906 651 01 000 043 204 58	1 1 1 2 8 10 X	
		M >> 9 01688 M >> T 9 01787 M >> S 9 00561			
(2)	948 100 951 50	Short block comprising: Crankcase housing piston Connecting rod Crankshaft	also use:	1	4851+ PR:E0A,E8A, E81
			948 107 013 55 948 111 181 01 999 170 228 90 N 906 651 01 999 915 573 43 999 073 914 31 999 073 913 31	1 2 8 10 X 7 2	

Model: 9PA108 Model life 2007>>2010

Pos	Part Number	Description	Remark	Qty	Model
			999 073 903 31	2	
			999 073 908 31	3	
			999 073 905 31	75	
(2)	948 100 951 TX	M 9 01689 >> M T 9 01788 >> M S 9 00562 >> Short block comprising: Crankcase housing piston Connecting rod Crankshaft		1	4851+ PR:E0A,E8A, E81
		also use:	948 107 013 55	1	
			948 111 181 01	2	
			999 170 228 90	8	
			N 906 651 01	10	
			999 915 573 43	X	
			999 073 914 31	7	
			999 073 913 31	2	
			999 073 903 31	2	
			999 073 908 31	3	
			999 073 905 31	75	
-	948 101 910 20	M 9 01689 >> M T 9 01788 >> M S 9 00562 >> Sealing flange Parts kit for Short block 94810095150 948100951TX		1	4851
		also use:	999 707 360 40	1	
			948 106 533 00	1	
			948 106 124 02	2	
			948 106 154 01	2	
			999 707 586 40	2	
			999 701 825 40	2	
			948 107 437 50	4	
			948 107 439 50	2	
			948 107 439 60	2	
			999 707 606 40	8	
			999 704 020 90	8	
			948 110 146 01	8	
-	999 707 763 40	O-ring Exhaust gas turbocharger Parts kit for Short block 94810095150 948100951TX		2	4851
		also use:	900 123 005 20	2	
			900 123 018 20	4	
			948 107 123 50	2	
			999 707 568 40	2	
			999 707 503 40	1	
			900 123 005 20	8	
-	999 707 575 40	O-ring Parts kit for Short block 94810095150 948100951TX		1	4851
		also use:	999 707 481 40	1	

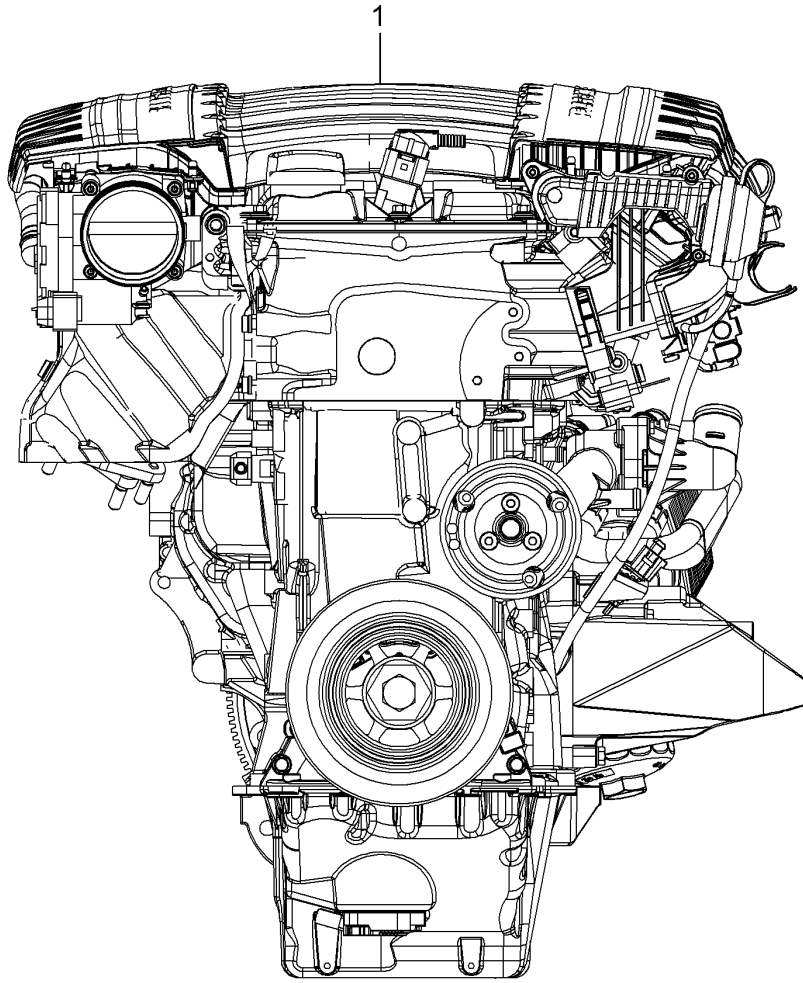
Model: 9PA108

Model life 2007>>2010

Pos	Part Number	Description	Remark	Qty	Model
-	948 105 935 01	Seal Parts kit for Short block 94810095150 948100951TX	948 101 130 21 948 101 125 20 948 101 127 20 948 101 129 21 000 043 204 35 948 104 173 05 948 104 174 05 948 104 181 10	1 1 1 1 X 1 1 20 1	4851
		also use:	948 105 936 01 948 105 938 00 948 105 937 02 948 105 169 10 948 105 023 12 948 105 068 11 948 105 065 10 948 105 180 11 948 105 166 12 999 015 022 01 999 015 021 01 948 107 252 12	1 2 8 1 1 1 1 1 2 1 2 1	
-	948 107 222 00	Oil filter insert Parts kit for Short block 94810095150 948100951TX	948 107 252 12	1	4851
		also use:	999 707 496 40 948 107 322 00 999 707 603 40 999 707 567 40 999 707 530 40 999 707 547 40 999 707 585 40 999 707 568 40 948 606 240 0	2 1 1 1 1 1 1 1 1	

Model: 9PA108

Model life 2007>>2010



Model: 9PA108 Model life 2007>>2010

Pos	Part Number	Description	Remark	Qty	Model
1	955 100 955 02	Replacement engine Replacement engine Together with Manual gearbox Not Ready for installation D >> - MJ 2008		1	5501 PR:GOL
(1)	955 100 955 BX	Replacement engine Together with Manual gearbox Not Ready for installation D >> - MJ 2008		1	PR:GOL
(1)	955 100 955 04	Replacement engine Together with Manual gearbox Not Ready for installation M >> 639 10538 D - MJ 2009>>		1	PR:GOL
(1)	955 100 955 DX	Discontinued part Replacement engine Together with Manual gearbox Not Ready for installation M >> 639 10538 D - MJ 2009>>		1	PR:GOL
(1)	955 100 955 06	Discontinued part Replacement engine Together with Manual gearbox Not Ready for installation M 639 10539 >> D >> - MJ 2009		1	PR:GOL
(1)	955 100 955 FX	Discontinued part Replacement engine Together with Manual gearbox Not Ready for installation M 639 10539 >> D >> - MJ 2009		1	PR:GOL
(1)	955 100 955 08	Discontinued part Replacement engine Together with Manual gearbox Not Ready for installation M >> 63A 05019 See technical information Service Group 1 KD-NR. 1373 19/09 D - MJ 2010>>		1	PR:GOL
(1)	955 100 955 HX	Replacement engine Together with Manual gearbox Not Ready for installation M >> 63A 05019		1	PR:GOL

Model: 9PA108

Model life 2007>>2010

Pos	Part Number	Description	Remark	Qty	Model
(1)	955 100 955 10	See technical information Service Group 1 KD-NR. 1373 19/09 D - MJ 2010>> Replacement engine Together with Manual gearbox Not Ready for installation M 63A 05020 >> See technical information Service Group 1 KD-NR. 1373 19/09		1	PR:G0L
(1)	955 100 955 KX	Replacement engine Together with Manual gearbox Not Ready for installation M 63A 05020 >> See technical information Service Group 1 KD-NR. 1373 19/09		1	PR:G0L
(1)	955 100 955 01	Replacement engine Together with Tiptronic Not Ready for installation M >> 638 08942		1	PR:G0R
(1)	955 100 955 AX	Replacement engine Together with Tiptronic Not Ready for installation M >> 638 08942		1	PR:G0R
(1)	955 100 955 03	Replacement engine Together with Tiptronic Not Ready for installation M 638 08943 >>		1	PR:G0R
(1)	955 100 955 CX	D >> - MJ 2008 Replacement engine Together with Tiptronic Not Ready for installation M 638 08943 >>		1	PR:G0R
(1)	955 100 955 05	D >> - MJ 2008 Replacement engine Together with Tiptronic Not Ready for installation M >> 639 10017		1	PR:G0R
(1)	955 100 955 EX	D - MJ 2009>> Discontinued part Replacement engine		1	PR:G0R

Model: 9PA108

Model life 2007>>2010

Pos	Part Number	Description	Remark	Qty	Model
(1)	955 100 955 07	Together with Tiptronic Not Ready for installation M >> 639 10017 D - MJ 2009>> Discontinued part Replacement engine Together with Tiptronic Not Ready for installation M 639 10018 >> D >> - MJ 2009		1	PR:GOR
(1)	955 100 955 GX	Discontinued part Replacement engine Together with Tiptronic Not Ready for installation M 639 10018 >> D >> - MJ 2009		1	PR:GOR
(1)	955 100 955 09	Discontinued part Replacement engine Together with Tiptronic Not Ready for installation M >> 63A 03026 See technical information Service Group 1 KD-NR. 1373 19/09 D - MJ 2010>>		1	PR:GOR
(1)	955 100 955 JX	Replacement engine Together with Tiptronic Not Ready for installation M >> 63A 03026 See technical information Service Group 1 KD-NR. 1373 19/09 D - MJ 2010>>		1	PR:GOR
(1)	955 100 955 11	Replacement engine Together with Tiptronic Not Ready for installation M 63A 03027 >> See technical information Service Group 1 KD-NR. 1373 19/09		1	PR:GOR
(1)	955 100 955 LX	Replacement engine Together with Tiptronic Not Ready for installation		1	PR:GOR

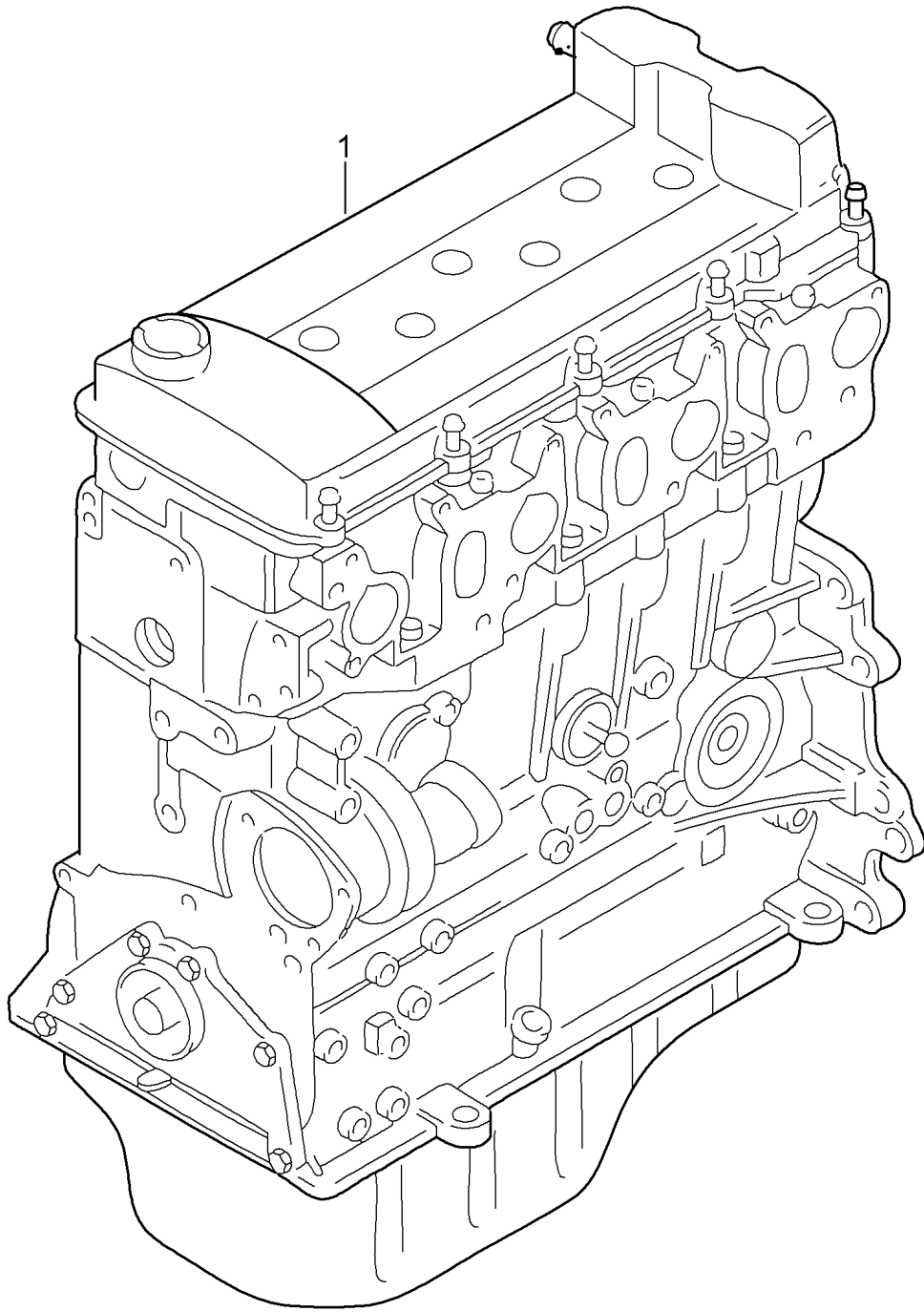
Model: 9PA108

Model life 2007>>2010

Pos	Part Number	Description	Remark	Qty	Model
		M 63A 03027 >> See technical information Service Group 1 KD-NR. 1373 19/09			

Model: 9PA108

Model life 2007>>2010



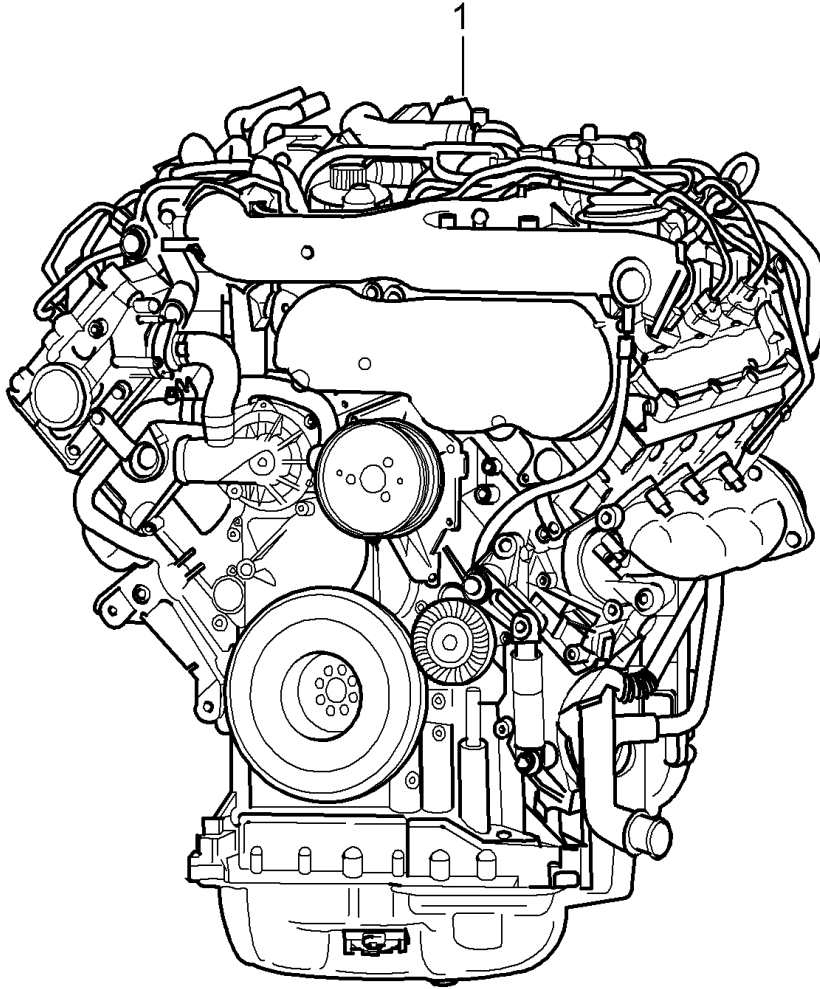
Model: 9PA108

Model life 2007>>2010

Pos	Part Number	Description	Remark	Qty	Model
		Base engine comprising: Valve cover Cylinder head Crankcase housing Crank drive oil sump			5501
1	955 100 937 00	Base engine Together with Manual gearbox Not Ready for installation		1	PR:G0L
(1)	955 100 937 X	Base engine Together with Manual gearbox Not Ready for installation		1	PR:G0L
(1)	955 100 937 01	Base engine Together with Tiptronic Not Ready for installation		1	PR:G0R
(1)	955 100 937 AX	Base engine Together with Tiptronic Not Ready for installation		1	PR:G0R

Model: 9PA108

Model life 2007>>2010

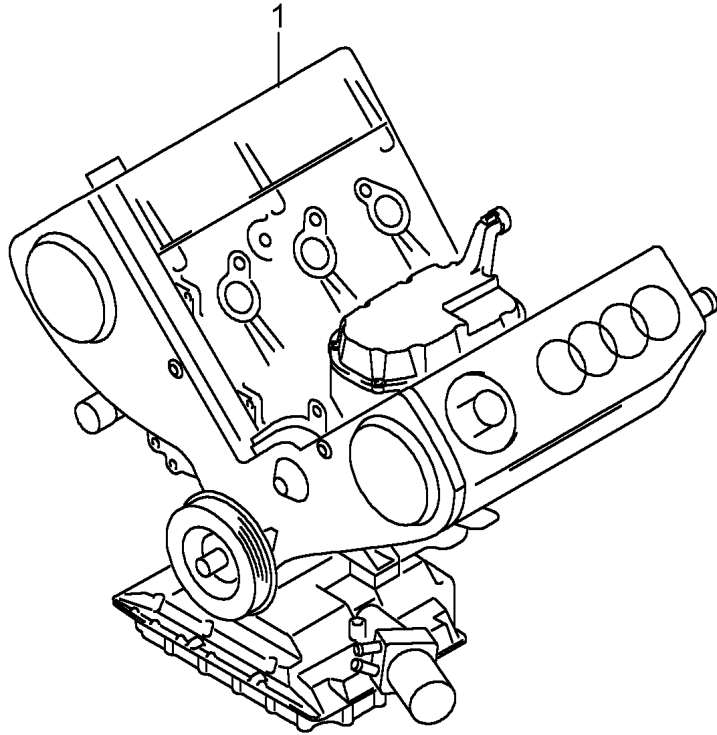
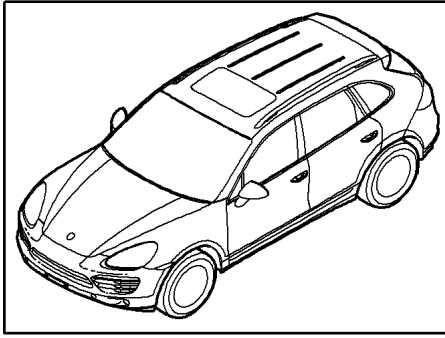


Model: 9PA108 Model life 2007>>2010

Pos	Part Number	Description	Remark	Qty	Model
1	955 100 959 00	Replacement engine Replacement engine Together with Tiptronic Not Ready for installation Discontinued part		1	059D PR:G0R,8GH
(1)	955 100 959 X	Replacement engine Together with Tiptronic Not Ready for installation Discontinued part		1	PR:G0R,8GH
(1)	955 100 959 01	Replacement engine Together with Tiptronic Not Ready for installation for Vehicle		1	PR:G0R,9G1, 8GH
		with:			
		Alternator 190 A			
		also use:	955 106 155 00	1	
			955 603 252 00	1	
			N 910 264 02	4	
			955 106 475 00	1	
			N 904 650 03	1	
(1)	955 100 959 AX	Replacement engine Together with Tiptronic Not Ready for installation for Vehicle		1	PR:G0R,9G1, 8GH
		with:			
		Alternator 190 A			
		also use:	955 106 155 00	1	
			955 603 252 00	1	
			N 910 264 02	4	
			955 106 475 00	1	
			N 904 650 03	1	

Model: 9PA108

Model life 2007>>2010

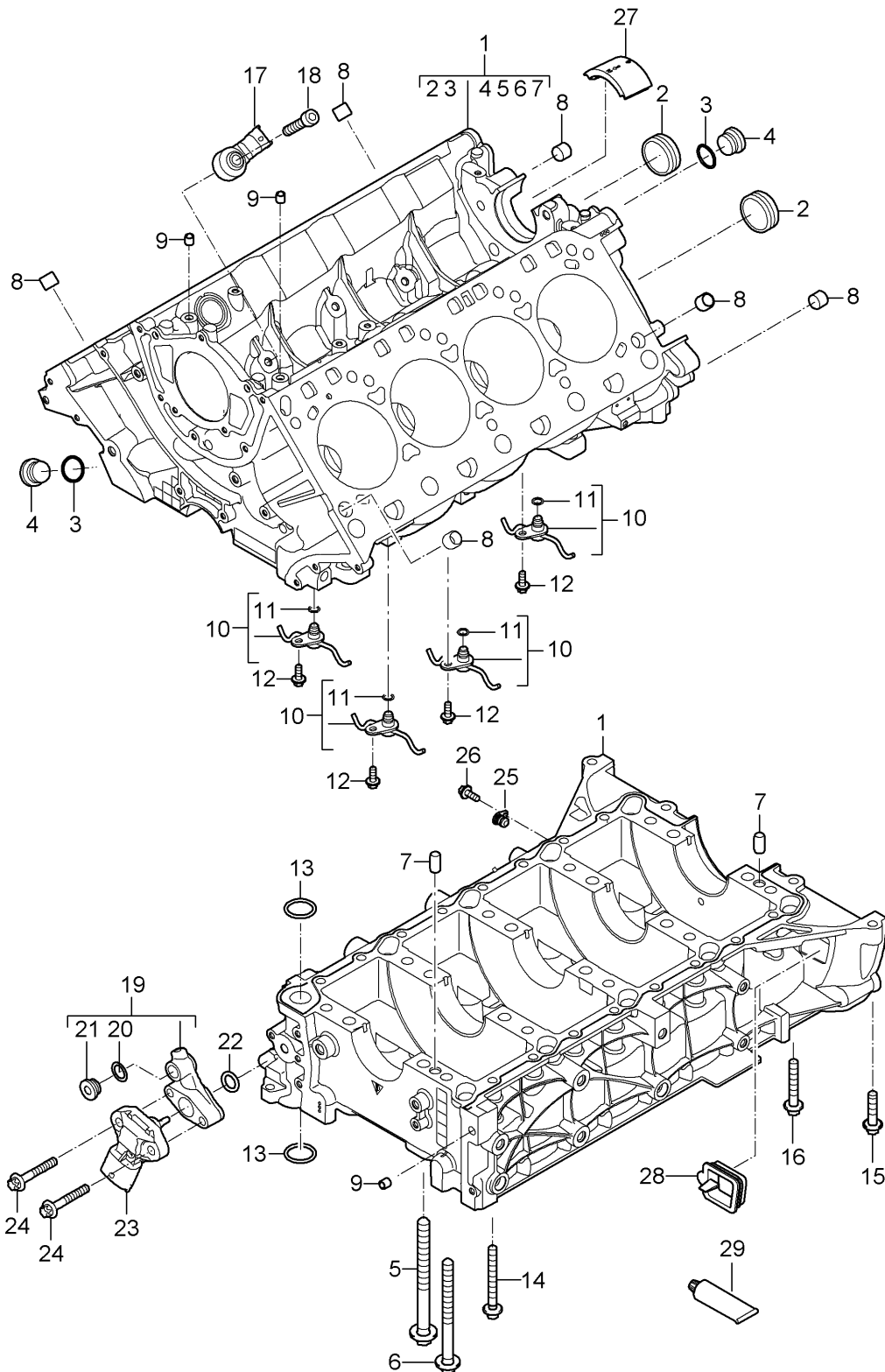


Model: 9PA108 Model life 2007>>2010

Pos	Part Number	Description	Remark	Qty	Model
1	955 100 934 00	Base engine comprising: Valve cover Cylinder head Crankcase housing Conrod with piston Crankshaft Engine oil sump Base engine		1	059D
		also use:	955 102 329 00	1	
			N 013 333 1	1	
		use if required:	958 102 361 00	1	
			WHT 004 920	1	
		for vehicles with 3-phase alternator (water-cooled)			
			955 106 155 00	1	
(1)	955 100 934 X	Base engine		1	
		also use:	955 102 329 00	1	
			N 013 333 1	1	
		use if required:	958 102 361 00	1	
			WHT 004 920	1	
		for vehicles with 3-phase alternator (water-cooled)			
			955 106 155 00	1	
(1)	955 100 934 AX	Discontinued part Base engine		1	
		also use:	955 102 329 00	1	
			N 013 333 1	1	
		use if required:	958 102 361 00	1	
			WHT 004 920	1	
		for vehicles with 3-phase alternator (water-cooled)			
			955 106 155 00	1	
		also use:			

Model: 9PA108

Model life 2007>>2010



Model: 9PA108 Model life 2007>>2010

Pos	Part Number	Description	Remark	Qty	Model
1	948 101 001 10	Crankcase housing Individual parts Crankcase housing without: piston		1	4801, 4851
		also use:	014 301 153 B 996 106 103 50 948 101 017 11 900 385 009 01 999 707 481 40	6 3 4 4 1	
		piston		8	
(1)	948 101 001 12	Discontinued part Crankcase housing without: piston		1	
		also use:	014 301 153 B 996 106 103 50 948 101 017 11 900 385 009 01 999 707 481 40	6 3 4 4 1	
		piston		8	
(1)	948 101 001 13	Discontinued part Crankcase housing without: piston		1	
		also use:	014 301 153 B 996 106 103 50 948 101 017 11 900 385 009 01 999 707 481 40	6 3 4 4 1	
		piston		8	
(1)	000 043 207 45	Discontinued part Crankcase housing without: piston		1	4801+ PR:E0A,E0W
		also use:	948 103 058 22 948 103 057 22 014 301 153 B 996 106 103 50 948 101 017 13 900 385 009 01 999 707 481 40 999 915 573 43	4 4 6 3 4 4 1 1	
		M >> 9 05540 M >> 8 3 89999 M >> G 9 04964 M >> 8 5 89999			E0A E0A E0W E0W
(1)	000 043 207 45	Crankcase housing without: piston		1	4851+ PR:E0A,E8A, E81
		also use:	948 103 046 72 948 103 045 72 014 301 153 B 996 106 103 50 948 101 017 13 900 385 009 01 999 707 481 40 999 915 573 43 955 111 161 10 955 111 162 00 N 107 141 01	4 4 6 3 4 4 1 1 1 1 4	
		M >> 9 01688 M >> T 9 01787			E0A E8A

Model: 9PA108 Model life 2007>>2010

Pos	Part Number	Description	Remark	Qty	Model
(1)	948 101 001 20	M >> S 9 00561 Crankcase housing without: piston also use:	014 301 153 B 996 106 103 50 948 101 017 11 900 385 009 01 999 707 481 40	1 6 3 4 4 1 8	E81 4801,4851+ PR:E0A,E0W, E8A,E81
(1)	948 101 001 21	Discontinued part Crankcase housing without: piston also use:	014 301 153 B 996 106 103 50 948 101 017 11 900 385 009 01 999 707 481 40	1 6 3 4 1 8	E0A,4801 E0W,4801 E0A,4851 E8A,4851 E81,4851
(1)	948 101 001 22	No longer use the part here Crankcase housing without: piston also use:	948 103 058 22 948 103 057 22 948 103 009 20 014 301 153 B 996 106 103 50 948 101 017 12 900 385 009 01 999 707 481 40	1 4 4 1 6 3 4 4 1	4801
(1)	948 101 001 22	See technical information Service Group 1 Document 1010 25/13 No longer use the part here Crankcase housing without: piston also use:	948 103 046 72 948 103 045 72 948 103 009 70 014 301 153 B 996 106 103 50 948 101 017 12 900 385 009 01 999 707 481 40	1 4 4 1 6 3 4 4 1	4851
(1)	948 101 001 23	See technical information Service Group 1 Document 1010 25/13 No longer use the part here Crankcase housing without: piston		1	4801

Model: 9PA108 Model life 2007>>2010

Pos	Part Number	Description	Remark	Qty	Model
			also use:		
			948 103 058 22	4	
			948 103 057 22	4	
			948 103 009 20	1	
			014 301 153 B	6	
			996 106 103 50	3	
			948 101 017 13	4	
			900 385 009 01	4	
			999 707 481 40	1	
		See technical information Service Group 1 Document 1010 25/13 Discontinued part			
(1)	948 101 001 24	Crankcase housing		1	4801
		without: piston			
			also use:		
			948 103 058 22	4	
			948 103 057 22	4	
			948 103 009 20	1	
			014 301 153 B	6	
			996 106 103 50	3	
			948 101 017 13	4	
			900 385 009 01	4	
			999 707 481 40	1	
		See technical information Service Group 1 Document 1010 25/13			
(1)	948 101 001 23	Crankcase housing		1	4851
		without: piston			
			also use:		
			948 103 046 72	4	
			948 103 045 72	4	
			948 103 009 70	1	
			014 301 153 B	6	
			996 106 103 50	3	
			948 101 017 13	4	
			900 385 009 01	4	
			999 707 481 40	1	
		See technical information Service Group 1 Document 1010 25/13			
(1)	948 101 001 24	Crankcase housing		1	4851
		without: piston			
			also use:		
			948 103 046 72	4	
			948 103 045 72	4	
			948 103 009 70	1	
			014 301 153 B	6	
			996 106 103 50	3	
			948 101 017 13	4	
			900 385 009 01	4	
			999 707 481 40	1	
		See technical information Service Group 1 Document 1010 25/13			

Model: 9PA108 Model life 2007>>2010

Pos	Part Number	Description	Remark	Qty	Model
2	948 101 216 00	End cap		2	
3	900 123 118 30	seal ring	A22X27	2	
4	999 063 024 30	sealing plug	M22X1,5	2	
5	948 101 190 01	Screw	M11X1,5X130	10	
6	948 101 191 01	Screw	M10X1,5X117	10	
7	999 012 051 00	Cylinder pin	BM10X18	2	
8	014 301 153 B	dowel sleeve	13X16X13,5	6	
9	996 106 103 50	dowel sleeve	8,2X7	3	
10	948 101 017 10	Water jet		4	
		M >> 838 14266			
		M >> 848 06850			
(10)	948 101 017 11	Water jet		4	
		Discontinued part			
(10)	948 101 017 12	Water jet		4	
		Discontinued part			
(10)	948 101 017 13	Water jet		4	
		M 838 14267 >>			
		M 848 06851 >>			
11	999 707 509 40	O-ring	8,55X2	4	
12	900 385 009 01	Torx screw	BM6X16	4	
13	999 707 481 40	O-ring	24X3	2	
14	900 385 029 01	Torx screw	CM8X70	16	
		M >> 9 05540			E0A,4801
		M >> G 9 04964			E0W,4801
		M >> 9 01688			E0A,4851
		M >> T 9 01787			E8A,4851
		M >> S 9 00561			E81,4851
(14)	999 073 915 30	fillister hd. bolt	M8X70 aluminium	16	4801,4851+ PR:E0A,E0W, E8A,E81
		Discontinued part			
(14)	999 073 915 31	fillister hd. bolt	M8X70-PA- aluminium	16	
15	900 385 042 01	Torx screw	BM8X35	2	
16	900 385 071 01	Torx screw	BM8X50	2	
17	997 606 121 00	Knock sensor		4	
18	900 067 102 02	Socket head bolt	M8X35	4	
19	948 107 314 01	Adapter		1	
		Discontinued part			
(19)	948 107 314 02	Adapter		1	
		M >> 9 05540			E0A,4801
		M >> G 9 04964			E0W,4801
		M >> 9 01688			E0A,4851
		M >> T 9 01787			E8A,4851
		M >> S 9 00561			E81,4851
(19)	948 107 314 03	Adapter		1	
		M 9 05541 >>			E0A,4801
		M G 9 04965 >>			E0W,4801
		M 9 01689 >>			E0A,4851
		M T 9 01788 >>			E8A,4851
		M S 9 00562 >>			E81,4851
20	900 123 144 30	seal ring	A10X13,5	1	
21	900 219 023 01	sealing plug	M10X1X11	1	
22	999 707 575 40	O-ring	20,00X3,00	1	
23	997 606 203 01	Oil pressure sender		1	
		Discontinued part			
(23)	997 606 203 02	Oil pressure sender		1	
24	900 385 045 01	Torx screw	BM6X40	2	
25	948 107 260 00	End cap		1	4801
26	900 385 041 01	Torx screw	BM6X12	1	
27	955 101 730 00	End cap		1	
		M >> 9 05540			E0A,4801
		M >> G 9 04964			E0W,4801

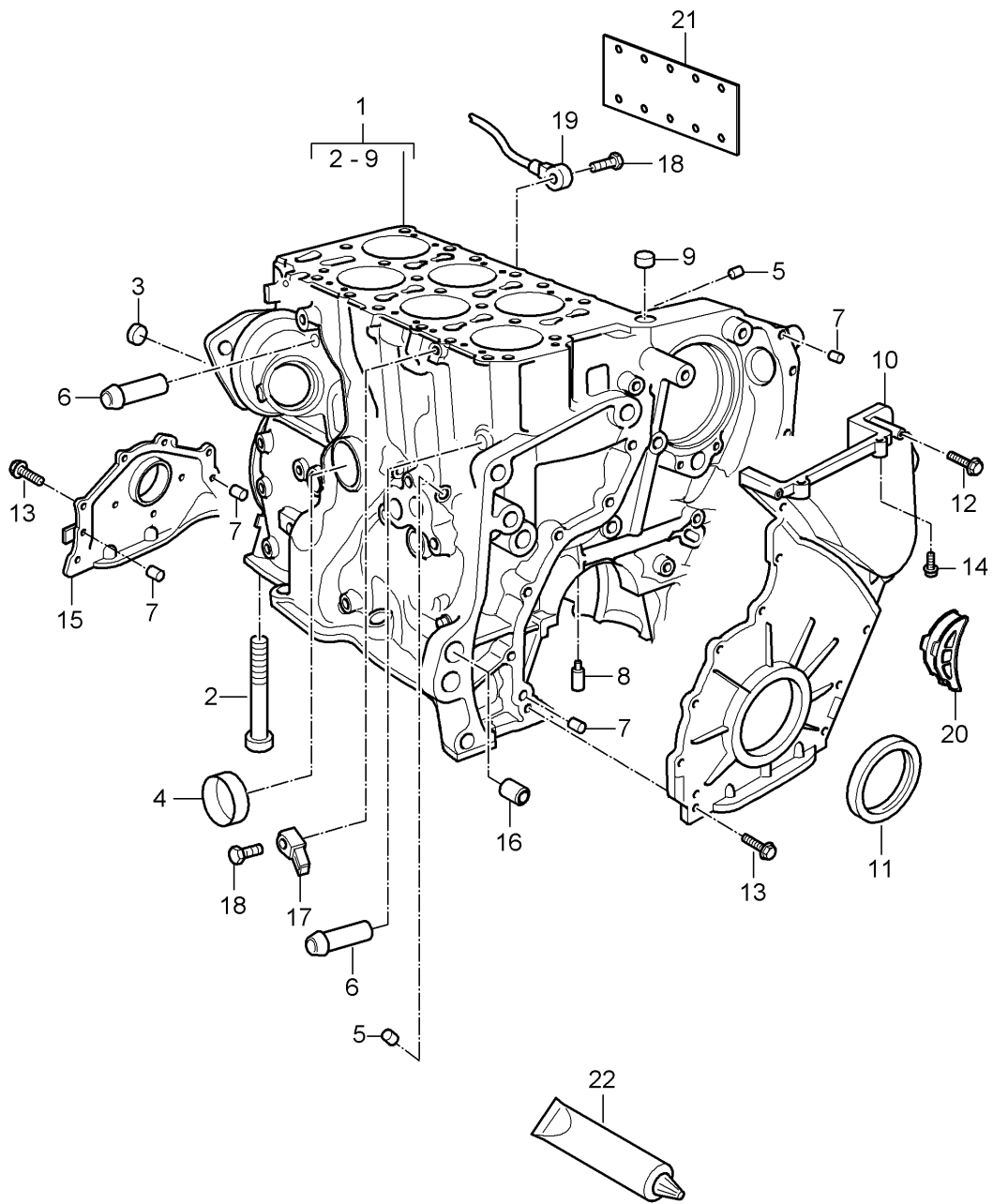
Model: 9PA108

Model life 2007>>2010

Pos	Part Number	Description	Remark	Qty	Model
(27)	7P5 103 113	M >> 9 01688 M >> T 9 01787 M >> S 9 00561 End cap Discontinued part		1	E0A,4851 E8A,4851 E81,4851
(27)	7PP 103 113	End cap M 9 05541 >> M G 9 04965 >> M 9 01689 >> M T 9 01788 >> M S 9 00562 >>		1	E0A,4801 E0W,4801 E0A,4851 E8A,4851 E81,4851
28	955 301 729 10	Sealing cap		1	
29	000 043 204 58	sealant 1 tube 30 GR. for Crankcase housing Discontinued part		X	4801,4851+ PR:E0A,E0W, E8A,E81
(29)	000 043 305 47	sealant 1 tube 30 GR. for Crankcase housing		X	4801,4851+ PR:E0A,E0W, E8A,E81
(29)	999 915 573 43	No longer use the part here sealant 1 tube for Crankcase housing	75 ml	X	4801,4851+ PR:E0A,E0W,
(29)	000 043 305 33	discontinued part sealant 1 tube for Crankcase housing	75 ml	X	4801,4851+ PR:E0A,E0W,

Model: 9PA108

Model life 2007>>2010

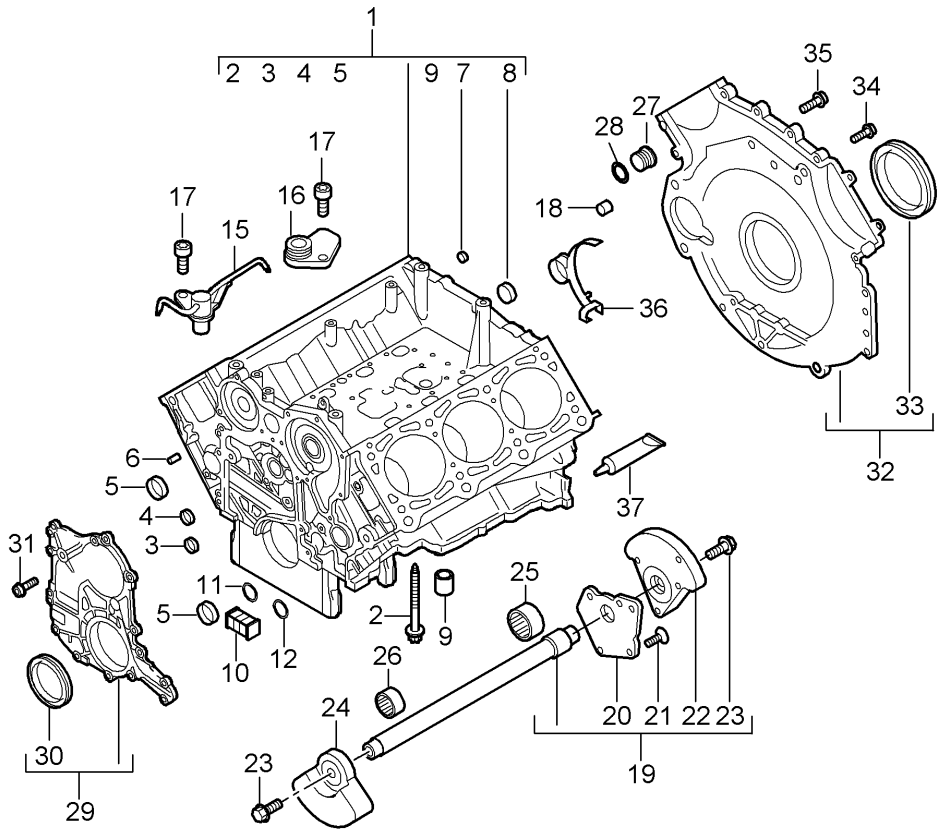


Model: 9PA108 Model life 2007>>2010

Pos	Part Number	Description	Remark	Qty	Model
1		Crankcase housing Individual parts Crankcase housing Not available To Use Base engine		1	5501
2	N 903 658 01	Socket head bolt with inner multipoint head AM 10 X 78		14	
3	N 102 186 03	End cap 15 MM		2	
4	955 101 215 00	End cap 36,6 MM		1	
5	955 101 115 00	Sealing cap B 7,3 X 9,3 Discontinued part		4	
(5)	955 101 115 01	Sealing cap B 7,3 X 9,3		4	
6	955 101 382 01	Pipe union		2	
7	N 910 170 01	Cylinder pin 8 X 18		4	
8	955 101 157 00	Water jet engine oil Discontinued part		6	
(8)	958 101 017 00	Water jet engine oil		6	
9	N 905 026 01	dowel sleeve 14 X 12		2	
10	955 101 173 01	Cover for timing chain	lower	1	PR:GOL
(10)	955 101 173 11	Cover for timing chain	lower	1	PR:GOR
11	955 101 051 00	Shaft oil seal 85 X 105 X 11		1	
12	N 101 160 03	hexagon head bolt (combi) M 6 X 58		2	
13	N 100 829 11	hexagon head bolt (combi) M 6 X 16		20	
14	N 903 559 03	Socket head bolt with hexagon socket head (combination) M 8 X 30		2	
15	955 101 151 02	Sealing flange	front	1	
16	955 101 139 01	dowel sleeve 16 X 13,5		2	
17	955 606 125 00	Knock sensor		1	
18	N 010 272 5	Hexagon bolt M 8 X 26		2	
19	955 606 125 20	Knock sensor M >> 639 04557		1	
(19)	955 606 125 21	Knock sensor M 639 04558 >>		1	
20	955 101 732 00	Cover cap		1	
21	955 606 461 00	Heat insulation Discontinued part		1	
(21)	955 606 461 01	Heat insulation M 639 04558 >>		1	
22	000 043 300 39	sealant 1 tube 50 ml. for Sealing flange and Cover for timing chain	front lower	X	

Model: 9PA108

Model life 2007>>2010



Model: 9PA108 Model life 2007>>2010

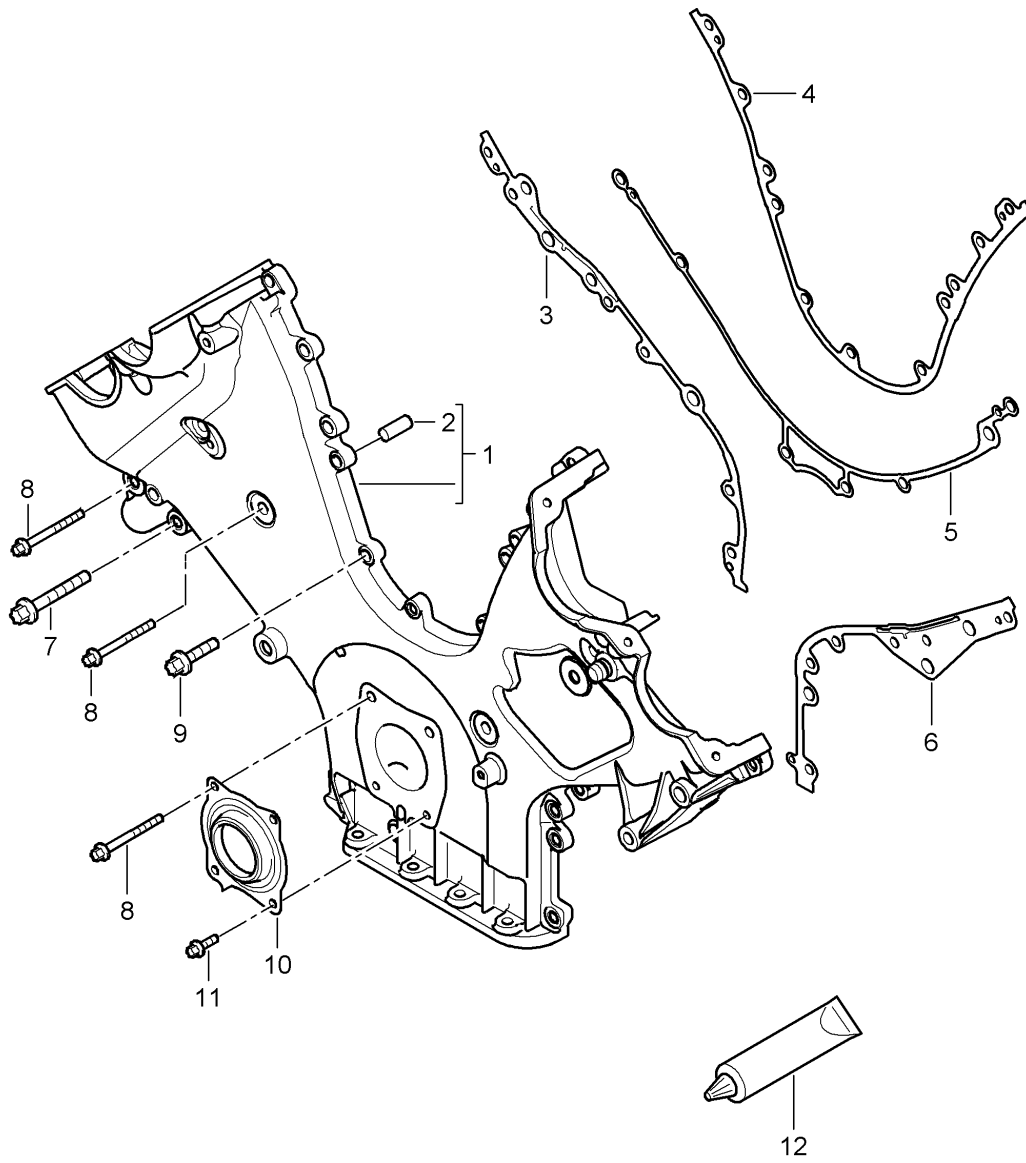
Pos	Part Number	Description	Remark	Qty	Model
		Crankcase housing Individual parts			059D
1	955 101 011 00	Crankcase housing		1	
		also use:			
		piston		6	
(1)	955 101 011 01	Discontinued part Crankcase housing		1	
		also use:			
		piston		6	
(1)	958 101 011 00	Discontinued part Crankcase housing		1	
		also use:	958 102 361 00	1	
			WHT 004 920	1	
		piston		6	
(1)	958 101 011 01	Discontinued part Crankcase housing		1	
		also use:	958 102 361 00	1	
			WHT 004 920	1	
		piston		6	
2	955 101 190 00	Bearing screw M 11 X 112		16	
3	N 011 903 4	End cap A 16		1	
4	N 011 904 7	End cap 18		1	
5	N 011 908 5	End cap 28		2	
6	N 106 678 01	Cylinder pin 6 X 16		2	
7	N 910 818 01	End cap 8		3	
8	N 011 914 10	End cap 24		1	
9	955 101 139 10	dowel sleeve		2	
10	955 101 147 00	Seal	front and rear	4	
		Sealing flange			
11	N 903 649 01	O-ring 7 X 2		1	
12	N 904 054 02	O-ring 11 X 2,5		1	
15	955 101 017 00	Water jet engine oil		3	
(15)	958 101 017 20	Discontinued part Water jet engine oil		3	
16	955 101 765 00	Valve		1	
17	N 910 547 01	Hex socket head locating bolt M 6 X 6 X 12		4	
18	955 101 139 01	dowel sleeve 16 X 13,5		2	
19	955 101 025 00	balancer shaft Discontinued part		1	
(19)	955 101 025 01	balancer shaft		1	
20	955 101 407 00	End cap		1	
21	N 104 560 04	Hexagon socket head bolt, self-locking M 6 X 12		4	
22	955 101 331 00	Balancer weight	rear	1	
23	N 908 932 02	fitted bolt, hexagon head M 10 X 20		2	
24	955 101 332 00	Balancer weight	front	1	
25	955 101 869 00	needle bearing - Durchm. 25 MM		1	

Model: 9PA108 Model life 2007>>2010

Pos	Part Number	Description	Remark	Qty	Model
26	955 101 869 10	needle bearing - Durchm. 22 MM		1	
27	955 101 189 00	End cap 20		1	
28	955 107 124 00	O-ring 15 X 2,5		1	
29	955 101 150 00	Sealing flange	front also use: N 903 649 01 N 904 054 02	1 1 1	
(29)	955 101 150 01	Discontinued part Sealing flange	front also use: N 903 649 01 N 904 054 02	1 1 1 1	
30	955 101 052 00	Shaft oil seal		1	
31	N 101 243 06	Oval hexagon socket head bolt M 6 X 20		12	
(31)	N 910 048 02	double stud with hexagon drive M 6 X 22 / M 6 X 12		1	
32	955 101 071 00	Sealing flange	rear	1	
33	955 101 053 00	Shaft oil seal		1	
34	N 101 562 06	Oval hexagon socket head bolt M 6 X 30		21	
35	N 102 258 02	Socket head bolt with inner multipoint head M 8 X 32		7	
36	955 101 565 01	Cover		1	
37	000 043 207 49	sealant 1 tube 80 ML		X	
(37)	958 101 902 00	Discontinued part sealant 80 ML		X	

Model: 9PA108

Model life 2007>>2010



Model: 9PA108 Model life 2007>>2010

Pos	Part Number	Description	Remark	Qty	Model
1	948 101 022 02	Cover for timing chain Sealing flange Cover for timing chain M >> 9 05540 M >> G 9 04964 M >> 9 01688 M >> T 9 01787 M >> S 9 00561 Discontinued part		1	4801,4851 4801 4801,E0W 4851 4851,E8A 4851,E81
(1)	948 101 022 04	Cover for timing chain Discontinued part		1	
(1)	948 101 022 05	Cover for timing chain		1	
2	900 012 204 00	Cylinder pin 6 X 16 M >> 9 05540 M >> G 9 04964 M >> 9 01688 M >> T 9 01787 M >> S 9 00561		8	4801 4801,E0W 4851 4851,E8A 4851,E81
(2)	900 012 204 30	Cylinder pin 6 X 16 M 9 05541 >> M G 9 04965 >> M 9 01689 >> M T 9 01788 >> M S 9 00562 >> D >> - MJ 2009		8	4801 4801,E0W 4851 4851,E8A 4851,E81
(2)	900 012 204 00	Cylinder pin 6 X 16 D - MJ 2010>>		8	
3	948 101 130 12	Seal Version M >> 9 08051 M >> G 9 07711 M >> T 9 02453	steel	1	
(3)	948 101 130 20	Seal Version aluminium M 9 08052 >> M G 9 07712 >> M T 9 02454 >>		1	
4	948 101 125 10	Seal Version M >> 9 08051 M >> G 9 07711 M >> T 9 02453	steel	1	
(4)	948 101 125 20	Seal Version aluminium M 9 08052 >> M G 9 07712 >> M T 9 02454 >>		1	
5	948 101 127 10	Seal Discontinued part		1	
(5)	948 101 127 11	Seal Discontinued part		1	
(5)	948 101 127 12	Seal Version M >> 9 08051 M >> G 9 07711	steel	1	

Model: 9PA108 Model life 2007>>2010

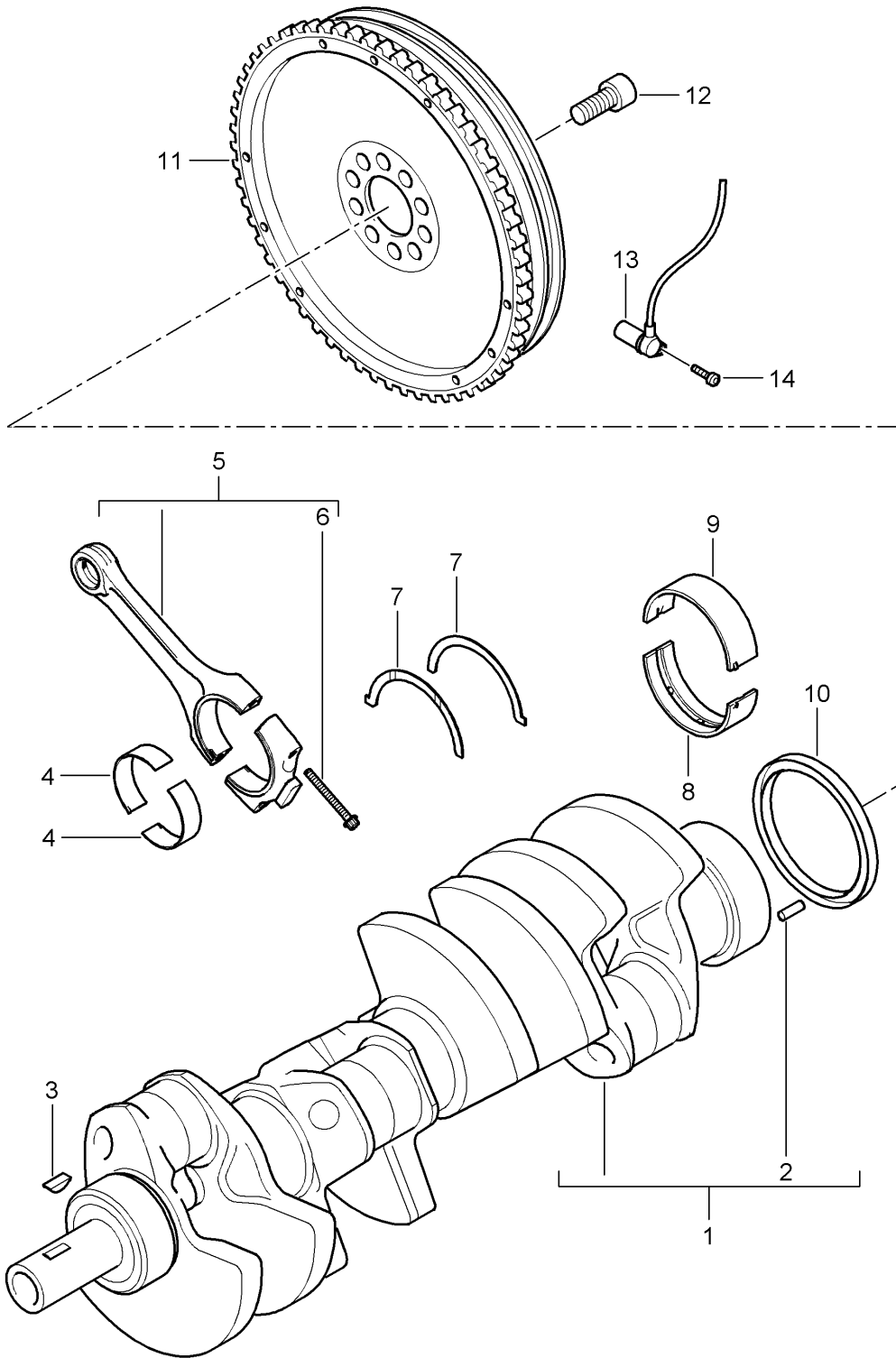
Pos	Part Number	Description	Remark	Qty	Model
(5)	948 101 127 20	M >> T 9 02453 Seal Version aluminium M 9 08052 >> M G 9 07712 >> M T 9 02454 >>		1	
6	948 101 129 12	Seal Version M >> 9 08051 M >> G 9 07711 M >> T 9 02453	steel	1	
(6)	948 101 129 20	Seal Version aluminium M 9 08052 >> M G 9 07712 >> M T 9 02454 >>		1	
7	900 385 071 01	Torx screw BM 8 X 50 M >> 9 05540 M >> G 9 04964 M >> 9 01688 M >> T 9 01787 M >> S 9 00561		2	4801 4801,E0W 4851 4851,E8A 4851,E81
(7)	999 073 913 30	fillister hd. bolt M 8 X 55 M 9 05541 >> M G 9 04965 >> M 9 01689 >> M T 9 01788 >> M S 9 00562 >> Discontinued part		2	4801 4801,E0W 4851 4851,E8A 4851,E81
(7)	999 073 913 31	fillister hd. bolt M 8 X 55		2	
8	900 385 070 01	Torx screw BM 6 X 50 M >> 9 05540 M >> G 9 04964 M >> 9 01688 M >> T 9 01787 M >> S 9 00561		7	4801 4801,E0W 4851 4851,E8A 4851,E81
8	PAF 008 685 00	Torx screw BM 6 X 50 M >> 9 05540 M >> G 9 04964 M >> 9 01688 M >> T 9 01787 M >> S 9 00561		7	4801 4801,E0W 4851 4851,E8A 4851,E81
(8)	999 073 914 30	fillister hd. bolt M 6 X 55 M 9 05541 >> M G 9 04965 >> M 9 01689 >> M T 9 01788 >> M S 9 00562 >> Discontinued part		7	4801 4801,E0W 4851 4851,E8A 4851,E81
(8)	999 073 914 31	fillister hd. bolt M 6 X 55		7	
9	900 385 072 01	Torx screw BM 6 X 25 M >> 9 05540		23	4801

Model: 9PA108 Model life 2007>>2010

Pos	Part Number	Description	Remark	Qty	Model
(9)	999 073 905 30	M >> G 9 04964 M >> 9 01688 M >> T 9 01787 M >> S 9 00561 fillister hd. bolt M 6 X 30 M 9 05541 >> M G 9 04965 >> M 9 01689 >> M T 9 01788 >> M S 9 00562 >> Discontinued part		23	4801,E0W 4851 4851,E8A 4851,E81 4801 4801,E0W 4851 4851,E8A 4851,E81
(9)	999 073 905 31	fillister hd. bolt M 6 X 30		23	
10	948 101 910 04	Sealing flange	with:	1	
(10)	948 101 910 20	Mounting sleeve Discontinued part Sealing flange	with:	1	
11	900 385 041 01	Mounting sleeve Torx screw BM 6 X 12 M >> 9 05540 M >> G 9 04964 M >> 9 01688 M >> T 9 01787 M >> S 9 00561		2	4801 4801,E0W 4851 4851,E8A 4851,E81
(11)	999 073 903 30	fillister hd. bolt M 6 X 20 M 9 05541 >> M G 9 04965 >> M 9 01689 >> M T 9 01788 >> M S 9 00562 >> Discontinued part		2	4801 4801,E0W 4851 4851,E8A 4851,E81
(11)	999 073 903 31	fillister hd. bolt M 6 X 20		2	
12	000 043 204 35	sealant 1 tube 50 ML. for Cover for timing chain		X	

Model: 9PA108

Model life 2007>>2010



Model: 9PA108 Model life 2007>>2010

Pos	Part Number	Description	Remark	Qty	Model
1	948 102 011 11	Crankshaft conrod Crankshaft See workshop manual Group: KD-NR. 134819 M >> 9 05540 M >> G 9 04964 M >> 9 01688 M >> T 9 01787 M >> S 9 00561 Discontinued part	1	1	4801,4851
(1)	948 102 011 12	Crankshaft only in conj. with: crankshaft bearing shell 948.101.241.00/01/02/03 and 948.101.242.00/01/02/03 See workshop manual Group: KD-NR. 134819 M 9 05541 >> M G 9 04965 >> M 9 01689 >> M T 9 01788 >> M S 9 00562 >>	1	1	4801 4801,E0W 4851 4851,E8A 4851,E81
2	900 302 049 00	Cylinder pin 6 X 20		1	
3	N 012 713 1	woodruff key 5,0 X 6,5		1	
4	948 103 210 10	connecting rod bearing shell Colour designation:	red	16	
(4)	948 103 210 13	Discontinued part connecting rod bearing shell Colour designation: only in conj. with: conrod 948.103.010.13/14/70 Discontinued part	red	16	
(4)	946 103 354 00	connecting rod bearing shell Colour designation: only in conj. with: conrod 948.103.010.13/14/70	red	16	
(4)	948 103 210 11	connecting rod bearing shell Colour designation:	yellow	16	
(4)	948 103 210 14	Discontinued part connecting rod bearing shell Colour designation: only in conj. with: conrod 948.103.010.13/14/70 Discontinued part	yellow	16	
(4)	946 103 354 01	connecting rod bearing shell Colour designation: only in conj. with: conrod 948.103.010.13/14/70	yellow	16	
(4)	948 103 210 12	connecting rod bearing shell Colour designation:	blue	16	
(4)	948 103 210 15	Discontinued part connecting rod bearing shell Colour designation:	blue	16	

Model: 9PA108 Model life 2007>>2010

Pos	Part Number	Description	Remark	Qty	Model
(4)	946 103 354 02	only in conj. with: conrod 948.103.010.13/14/70 Discontinued part connecting rod bearing shell Colour designation: only in conj. with:	blue	16	
(4)	946 103 354 00	conrod 948.103.010.13/14/70 connecting rod bearing shell Colour designation: only in conj. with:	upper red	8	
(4)	946 103 354 01	conrod 948.103.010.71 connecting rod bearing shell Colour designation: only in conj. with:	upper yellow	8	
(4)	946 103 354 02	conrod 948.103.010.71 connecting rod bearing shell Colour designation: only in conj. with:	upper blue	8	
(4)	946 103 254 00	conrod 948.103.010.71 connecting rod bearing shell Colour designation: only in conj. with:	lower red	8	
(4)	946 103 254 01	conrod 948.103.010.71 connecting rod bearing shell Colour designation: only in conj. with:	lower yellow	8	
(4)	946 103 254 02	conrod 948.103.010.71 connecting rod bearing shell Colour designation: only in conj. with:	lower blue	8	
5	948 103 975 13	conrod 948.103.010.71 1 set: connecting rods comprising:		1	
(5)	948 103 010 13	conrod Discontinued part (complete)		8	
(5)	948 103 010 14	conrod Discontinued part (complete)		8	
(5)	948 103 010 70	conrod Discontinued part (complete)		8	
(5)	948 103 010 71	conrod Discontinued part (complete)		8	
6	997 103 115 01	only in conj. with: connecting rod bearing shell 946.103.254.01/04 and 946.103.354.01/04 bolt - connecting rod		8	
7	948 101 215 10	thrust washer		2	
8	948 101 208 13	crankshaft bearing shell Colour designation:	lower red	5	

Model: 9PA108 Model life 2007>>2010

Pos	Part Number	Description	Remark	Qty	Model
(8)	948 101 241 00	only in conj. with: Crankshaft 948.102.011.11 M >> 9 05540 M >> G 9 04964 M >> 9 01688 M >> T 9 01787 M >> S 9 00561 crankshaft bearing shell Colour designation: red	lower	5	4801 4801,E0W 4851 4851,E8A 4851,E81
(8)	948 101 208 14	Crankshaft 948.102.011.11 M >> 9 05541 M G 9 04965 >> M 9 01689 >> M T 9 01788 >> M S 9 00562 >> crankshaft bearing shell Colour designation: yellow	lower	5	4801 4801,E0W 4851 4851,E8A 4851,E81
(8)	948 101 241 01	only in conj. with: Crankshaft 948.102.011.11 M >> 9 05540 M >> G 9 04964 M >> 9 01688 M >> T 9 01787 M >> S 9 00561 crankshaft bearing shell Colour designation: yellow	lower	5	4801 4801,E0W 4851 4851,E8A 4851,E81
(8)	948 101 208 15	Crankshaft 948.102.011.11 M >> 9 05541 M G 9 04965 >> M 9 01689 >> M T 9 01788 >> M S 9 00562 >> crankshaft bearing shell Colour designation: blue	lower	5	4801 4801,E0W 4851 4851,E8A 4851,E81
(8)	948 101 241 02	only in conj. with: Crankshaft 948.102.011.11 M >> 9 05540 M >> G 9 04964 M >> 9 01688 M >> T 9 01787 M >> S 9 00561 crankshaft bearing shell Colour designation: blue	lower	5	4801 4801,E0W 4851 4851,E8A 4851,E81
(8)	948 101 241 03	Crankshaft 948.102.011.11 M >> 9 05541 M G 9 04965 >> M 9 01689 >> M T 9 01788 >> M S 9 00562 >> crankshaft bearing shell Colour designation: green	lower	5	4801 4801,E0W 4851 4851,E8A 4851,E81
9	948 101 213 13	only in conj. with: Crankshaft 948.102.011.11 M >> 9 05540 M >> G 9 04964 crankshaft bearing shell Colour designation: red	upper	5	4801 4801,E0W

Model: 9PA108 Model life 2007>>2010

Pos	Part Number	Description	Remark	Qty	Model
(9)	948 101 242 00	M >> 9 01688 M >> T 9 01787 M >> S 9 00561 crankshaft bearing shell Colour designation: M 9 05541 >> M G 9 04965 >> M 9 01689 >> M T 9 01788 >> M S 9 00562 >>	upper red	5	4851 4851,E8A 4851,E81 4801 4801,E0W 4851 4851,E8A 4851,E81
(9)	948 101 213 14	crankshaft bearing shell Colour designation: only in conj. with: Crankshaft 948.102.011.11 M >> 9 05540 M >> G 9 04964 M >> 9 01688 M >> T 9 01787 M >> S 9 00561	upper yellow	5	4801 4801,E0W 4851 4851,E8A 4851,E81
(9)	948 101 242 01	crankshaft bearing shell Colour designation: M 9 05541 >> M G 9 04965 >> M 9 01689 >> M T 9 01788 >> M S 9 00562 >>	upper yellow	5	4801 4801,E0W 4851 4851,E8A 4851,E81
(9)	948 101 213 15	crankshaft bearing shell Colour designation: only in conj. with: Crankshaft 948.102.011.11 M >> 9 05540 M >> G 9 04964 M >> 9 01688 M >> T 9 01787 M >> S 9 00561	upper blue	5	4801 4801,E0W 4851 4851,E8A 4851,E81
(9)	948 101 242 02	crankshaft bearing shell Colour designation: M 9 05541 >> M G 9 04965 >> M 9 01689 >> M T 9 01788 >> M S 9 00562 >>	upper blue	5	4801 4801,E0W 4851 4851,E8A 4851,E81
(9)	948 101 242 03	crankshaft bearing shell Colour designation: M 9 05541 >> M G 9 04965 >> M 9 01689 >> M T 9 01788 >> M S 9 00562 >>	upper green	5	4801 4801,E0W 4851 4851,E8A 4851,E81
10	948 101 212 02	Shaft oil seal M >> 838 22988 M >> 858 05357 M >> 848 11308 M >> 868 00694		1	
(10)	997 101 212 01	Shaft oil seal M 838 22989 >> M 858 05358 >> M 848 11309 >> M 868 00695 >>		1	
11	955 114 012 01	Dual-mass flywheel		1	PR:D5V,G0L
12	N 906 651 01	Socket head bolt with inner		10	PR:D5V,G0L

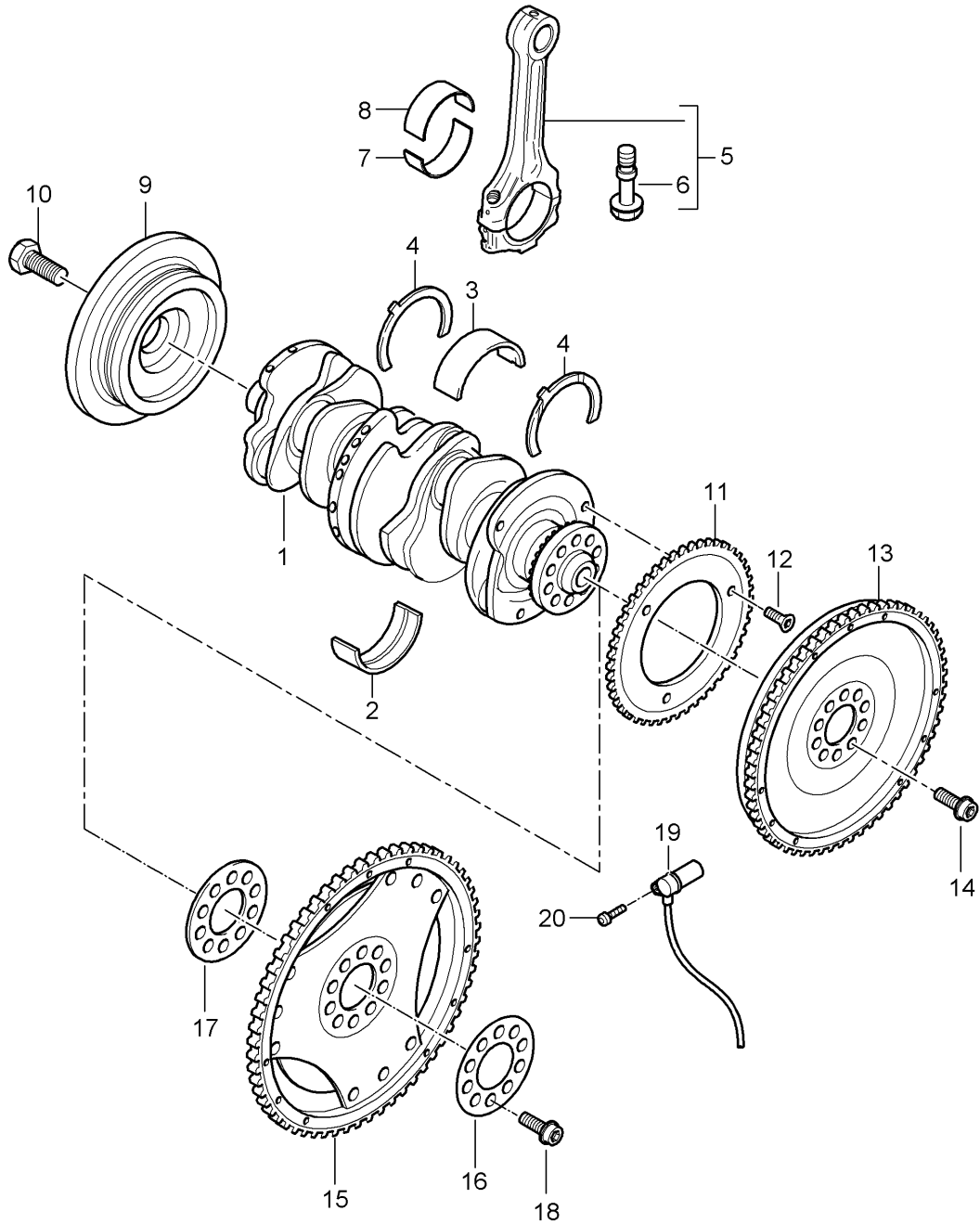
Model: 9PA108

Model life 2007>>2010

Pos	Part Number	Description	Remark	Qty	Model
13	955 606 381 10	multipoint head M 10 X 1 X 29 Inductive sensor Discontinued part		1	
(13)	955 606 381 11	Inductive sensor		1	
14	N 014 701 11	Socket head bolt with hexagon socket head M 6 X 12		1	

Model: 9PA108

Model life 2007>>2010



Model: 9PA108 Model life 2007>>2010

Pos	Part Number	Description	Remark	Qty	Model
1	955 102 011 00	Crankshaft conrod Crankshaft See workshop manual Group 1 KD-NR. 134819		1	5501
2	955 102 591 00	bearing shell Crankshaft Identification: >> >> yellow See workshop manual Group 1 KD-NR. 134819	lower	7	
(2)	955 102 591 06	Discontinued part bearing shell Crankshaft Identification: >> >> yellow See workshop manual Group 1 KD-NR. 134819	lower	7	
(2)	955 102 591 01	bearing shell Crankshaft Identification: >> >> blue See workshop manual Group 1 KD-NR. 134819	lower	7	
(2)	955 102 591 04	Discontinued part bearing shell Crankshaft Identification: >> >> blue See workshop manual Group 1 KD-NR. 134819	lower	7	
(2)	955 102 591 02	bearing shell Crankshaft Identification: >> >> red See workshop manual Group 1 KD-NR. 134819	lower	7	
(2)	955 102 591 05	Discontinued part bearing shell Crankshaft Identification: >> >> red See workshop manual Group 1 KD-NR. 134819	lower	7	
(2)	955 102 591 03	bearing shell Crankshaft Identification: >> >> violet See workshop manual Group 1 KD-NR. 134819	lower	7	
(2)	955 102 591 07	Discontinued part bearing shell Crankshaft Identification: >> >> violet	lower	7	

Model: 9PA108 Model life 2007>>2010

Pos	Part Number	Description	Remark	Qty	Model
3	955 102 561 00	See workshop manual Group 1 KD-NR. 134819 bearing shell Crankshaft Identification: >> >> yellow	upper	7	
(3)	955 102 561 01	See workshop manual Group 1 KD-NR. 134819 Discontinued part bearing shell Crankshaft Identification: >> >> yellow	upper	7	
(3)	955 102 561 02	See workshop manual Group 1 KD-NR. 134819 bearing shell Crankshaft Identification: >> >> blue	upper	7	
(3)	955 102 561 03	See workshop manual Group 1 KD-NR. 134819 bearing shell Crankshaft Identification: >> >> ROT	upper	7	
(3)	955 102 561 04	See workshop manual Group 1 KD-NR. 134819 bearing shell Crankshaft Identification: >> >> violet	upper	7	
4	955 102 635 01	thrust washer		2	
5	955 103 975 00	Connecting rod Set comprising: Connecting rod		1 6	
(5)	955 103 975 01	Discontinued part 1 set: connecting rods comprising: Connecting rod		1 6	
6	955 102 425 01	bolt - connecting rod		12	
7	955 103 210 00	connecting rod bearing shell Identification: >> >> yellow	lower	6	
(7)	955 103 210 02	Discontinued part connecting rod bearing shell Identification: >> >> yellow	lower	6	
(7)	958 103 210 20	Discontinued part connecting rod bearing shell Identification: >> >> yellow	lower	6	
8	955 103 210 01	connecting rod bearing shell Identification: >> >> red	upper	6	

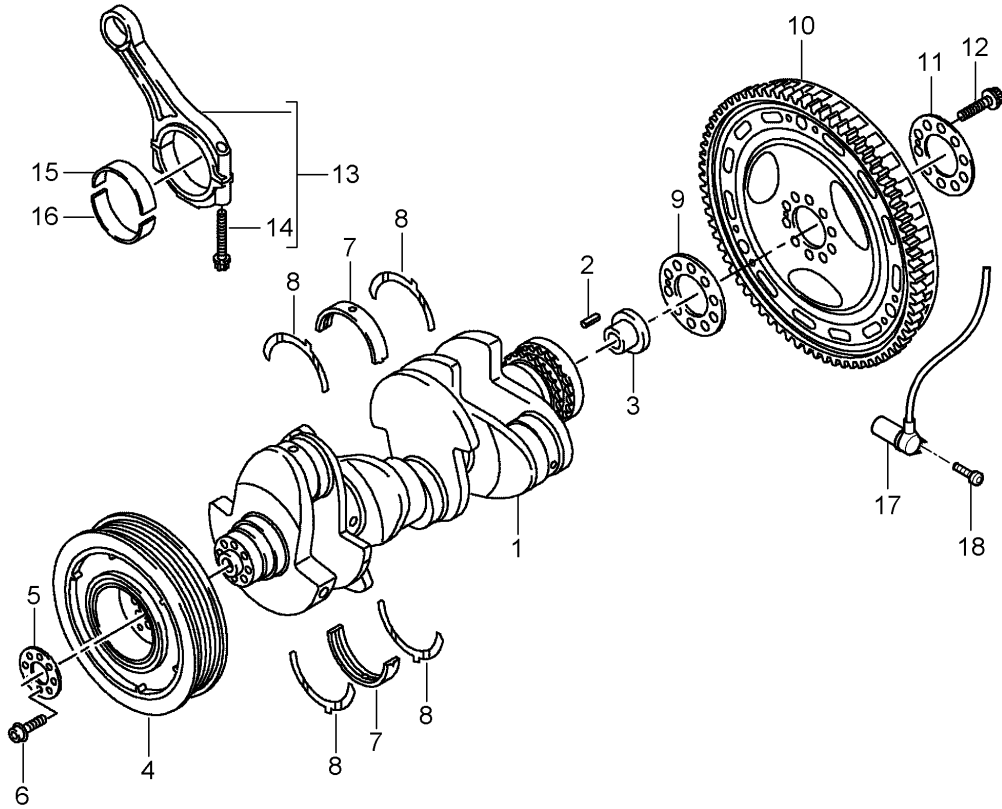
Model: 9PA108

Model life 2007>>2010

Pos	Part Number	Description	Remark	Qty	Model
(8)	955 103 210 03	Discontinued part connecting rod bearing shell Identification: >> >> red	upper	6	
(8)	958 103 210 21	Discontinued part connecting rod bearing shell Identification: >> >> red	upper	6	
9	955 102 241 00	vibration damper Discontinued part		1	
(9)	955 102 241 01	vibration damper		1	
10	N 010 087 6	Hexagon bolt M 18 X 1,5 X 40		1	
11	955 102 189 00	Clutch plate Inductive sensor		1	
12	955 102 229 00	countersunk bolt M 6 X 13		3	
13	955 114 012 10	Dual-mass flywheel		1	PR:G0L
14	N 906 651 01	Socket head bolt with inner multipoint head M 10 X 1 X 29		10	PR:G0L
15	955 102 327 00	Clutch plate		1	PR:G0R
16	955 102 301 00	Washer		1	PR:G0R
17	955 102 303 20	compensation washer 1,2 MM		X	PR:G0R
18	N 905 398 01	Socket head bolt M 10 X 1 X 19		10	PR:G0R
19	955 606 147 00	impulse sender		1	
20	N 103 352 06	Hexagon socket flat head bolt M 6 X 12		1	

Model: 9PA108

Model life 2007>>2010



Model: 9PA108 Model life 2007>>2010

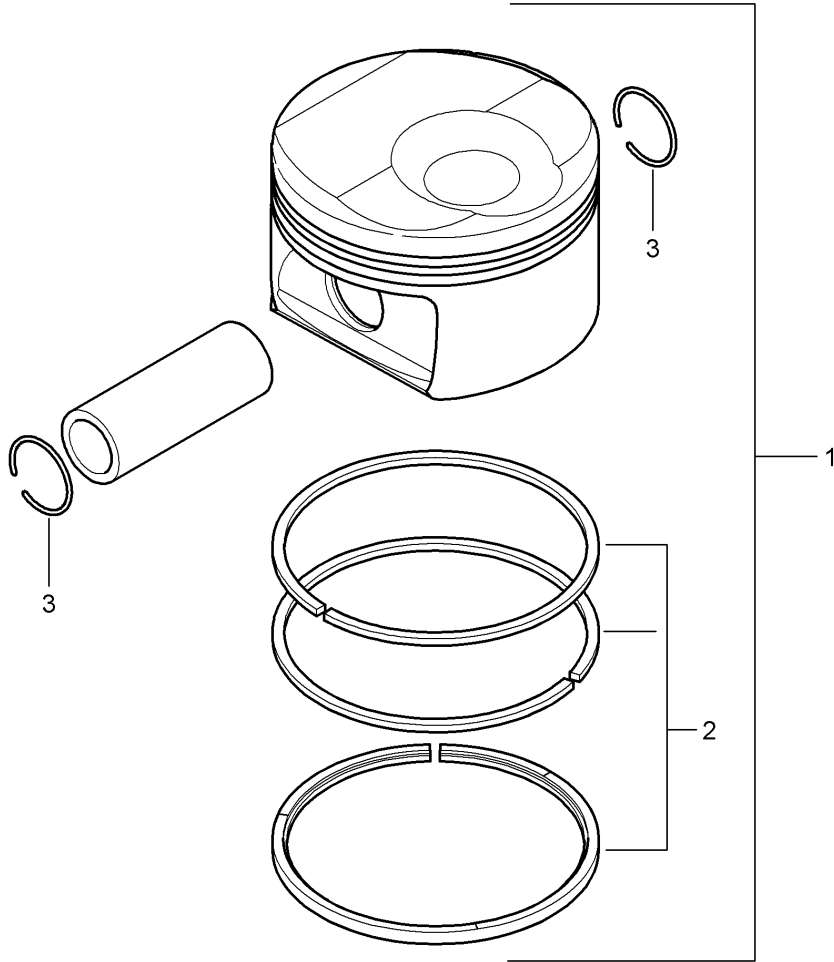
Pos	Part Number	Description	Remark	Qty	Model
		Crankshaft conrod Crankshaft			059D
1	955 102 011 10			1	
		also use:	N 013 333 1	1	
			955 102 329 00	1	
(1)	958 102 011 00	Discontinued part Crankshaft		1	
		also use:	N 013 333 1	1	
			955 102 329 00	1	
(1)	958 102 011 01	Discontinued part Crankshaft		1	
		also use:	N 013 333 1	1	
			955 102 329 00	1	
2	N 013 333 1	Spring pin 6 X 14		1	
3	955 102 329 00	bush		1	
4	955 102 241 10	vibration damper Discontinued part		1	
(4)	955 102 241 11	vibration damper Discontinued part		1	
(4)	958 102 241 01	vibration damper Discontinued part		1	
(4)	958 102 241 03	vibration damper Discontinued part		1	
5	WHT 003 351	compensation washer 24,5 X 60,5 X 1,5		1	
6	N 910 059 02	Hexagon socket head bolt M 8 X 25		8	
7	955 102 901 00	Bearing set Crankshaft comprising: bearing shell bearing shell	lower upper	4	
(7)	958 101 241 10	No longer use the part here crankshaft bearing shell Identification: >> >> blue	lower	4	
(7)	958 101 241 13	Discontinued part crankshaft bearing shell Identification: >> >> blue	lower	4	
(7)	958 101 241 11	crankshaft bearing shell Identification: >> >> yellow	lower	4	
(7)	958 101 241 14	Discontinued part crankshaft bearing shell Identification: >> >> yellow	lower	4	
(7)	958 101 241 12	crankshaft bearing shell Identification: >> >> red	lower	4	
(7)	958 101 241 15	Discontinued part crankshaft bearing shell Identification: >> >> red	lower	4	
(7)	958 101 242 10	crankshaft bearing shell Identification: >> >> blue	upper	4	
(7)	958 101 242 13	Discontinued part crankshaft bearing shell Identification: >> >> blue	upper	4	
(7)	958 101 242 11	crankshaft bearing shell	upper	4	

Model: 9PA108 Model life 2007>>2010

Pos	Part Number	Description	Remark	Qty	Model
(7)	958 101 242 14	Identification: >> >> yellow Discontinued part crankshaft bearing shell	upper	4	
(7)	958 101 242 12	Identification: >> >> yellow crankshaft bearing shell	upper	4	
(7)	958 101 242 15	Identification: >> >> red Discontinued part crankshaft bearing shell	upper	4	
8	955 102 902 00	Identification: >> >> red 1 set of thrust washers	lower upper	1	
9	955 102 303 60	comprising: thrust washer thrust washer compensation washer 1,5 MM		2 2 1	
10	955 102 327 10	Clutch plate		1	
11	955 102 303 70	compensation washer 3,4 MM		1	
12	N 905 398 01	Socket head bolt M 10 X 1 X 19		10	
13	955 103 975 10	1 set: connecting rods Set comprising:		1	
14	955 102 425 10	Connecting rod bolt - connecting rod M 8 X 1 X 50		6 12	
(14)	WHT 006 219	Discontinued part bolt - connecting rod M 8 X 1 X 50		12	
15	955 103 210 10	connecting rod bearing shell Identification: >> >> yellow	upper	6	
16	955 103 210 20	connecting rod bearing shell Identification: >> >> yellow	lower	6	
17	955 606 381 20	Inductive sensor		1	
18	N 106 536 01	Socket head bolt with hexagon socket head M 6 X 20		1	

Model: 9PA108

Model life 2007>>2010



Model: 9PA108 Model life 2007>>2010

Pos	Part Number	Description	Remark	Qty	Model
		piston Piston rings			4801,4851
1	948 103 046 09	piston complete Tolerance range X Identification: >> >> - 556,5 G Cylinders 1 - 4		4	4801
(1)	948 103 046 14	No longer use the part here piston complete Tolerance range X Identification: >> >> - 556,5 G Cylinders 1 - 4		4	4801
(1)	948 103 048 21	Discontinued part piston complete Tolerance range X Identification: >> >> - 556,5 G Cylinders 1 - 4		4	4801
(1)	948 103 048 24	Discontinued part piston complete Tolerance range X Identification: >> >> - 554 - 559 G Cylinders 1 - 4		4	4801
(1)	948 103 048 27	Discontinued part piston complete Tolerance range X Identification: >> >> - 554 - 559 G Cylinders 1 - 4		4	4801+ PR:E0A,E0W
(1)	948 103 058 21	See technical information Service Group 1 Document 1010 25/13 M >> A 65168 M >> G A 65064		4	E0A E0W 4801+ PR:E0A,E0W
(1)	948 103 046 10	piston complete Tolerance range X Identification: >> >> - 554 - 559 G Cylinders 1 - 4 See technical information Service Group 1 Document 1010 25/13 M A 65169 >> M G A 65065 >>		4	E0A E0W 4801

Model: 9PA108 Model life 2007>>2010

Pos	Part Number	Description	Remark	Qty	Model
(1)	948 103 046 15	Tolerance range X Identification: >> >> + 562,5 G Cylinders 1 - 4 No longer use the part here piston complete		4	4801
(1)	948 103 048 22	Tolerance range X Identification: >> >> + 562,5 G Cylinders 1 - 4 Discontinued part piston complete		4	4801
(1)	948 103 048 25	Tolerance range X Identification: >> >> + 562,5 G Cylinders 1 - 4 Discontinued part piston complete		4	4801
(1)	948 103 048 28	Tolerance range X Identification: >> >> + 560 - 565 G Cylinders 1 - 4 Discontinued part piston complete		4	4801+ PR:E0A,E0W
(1)	948 103 058 22	Tolerance range X Identification: >> >> + 560 - 565 G Cylinders 1 - 4 See technical information Service Group 1 Document 1010 25/13 M >> A 65168 M >> G A 65064 piston complete		4	E0A E0W 4801+ PR:E0A,E0W
(1)	948 103 045 09	Tolerance range X Identification: >> >> + 560 - 565 G Cylinders 1 - 4 See technical information Service Group 1 Document 1010 25/13 M A 65169 >> M G A 65065 >> piston complete		4	E0A E0W 4801

Model: 9PA108 Model life 2007>>2010

Pos	Part Number	Description	Remark	Qty	Model
(1)	948 103 045 14	- 556,5 G Cylinders 5 - 8 No longer use the part here piston complete Tolerance range X Identification: >> >>		4	4801
(1)	948 103 047 21	- 556,5 G Cylinders 5 - 8 Discontinued part piston complete Tolerance range X Identification: >> >>		4	4801
(1)	948 103 047 24	- 556,5 G Cylinders 5 - 8 Discontinued part piston complete Tolerance range X Identification: >> >>		4	4801
(1)	948 103 047 27	- 554 - 559 G Cylinders 5 - 8 Discontinued part piston complete Tolerance range X Identification: >> >>		4	4801+ PR:E0A,E0W
(1)	948 103 057 21	- 554 - 559 G Cylinders 5 - 8 See technical information Service Group 1 Document 1010 25/13 M >> A 65168 M >> G A 65064 piston complete Tolerance range X Identification: >> >>		4	E0A E0W 4801+ PR:E0A,E0W
(1)	948 103 045 10	- 554 - 559 G Cylinders 5 - 8 See technical information Service Group 1 Document 1010 25/13 M A 65169 >> M G A 65065 >> piston complete Tolerance range X Identification: >> >>		4	E0A E0W 4801
		+ 562,5 G Cylinders 5 - 8			

Model: 9PA108 Model life 2007>>2010

Pos	Part Number	Description	Remark	Qty	Model
(1)	948 103 045 15	No longer use the part here piston complete Tolerance range X Identification: >> >> + 562,5 G Cylinders 5 - 8 M >> G A 09234		4	4801
(1)	948 103 047 22	Discontinued part piston complete Tolerance range X Identification: >> >> + 562,5 G Cylinders 5 - 8		4	4801
(1)	948 103 047 25	Discontinued part piston complete Tolerance range X Identification: >> >> + 560 - 565 G Cylinders 5 - 8		4	4801
(1)	948 103 047 28	Discontinued part piston complete Tolerance range X Identification: >> >> + 560 - 565 G Cylinders 5 - 8 See technical information Service Group 1 Document 1010 25/13 M >> A 65168 M >> G A 65064		4	4801+ PR:E0A,E0W
(1)	948 103 057 22	piston complete Tolerance range X Identification: >> >> + 560 - 565 G Cylinders 5 - 8 See technical information Service Group 1 Document 1010 25/13 M A 65169 >> M G A 65065 >>		4	E0A E0W 4801+ PR:E0A,E0W
(1)	948 103 046 59	piston complete Tolerance range X Identification: >> >> - 563,5 G Cylinders 1 - 4		4	E0A E0W 4851
(1)	948 103 046 64	No longer use the part here piston complete		4	4851

Model: 9PA108 Model life 2007>>2010

Pos	Part Number	Description	Remark	Qty	Model
(1)	948 103 046 67	Tolerance range X Identification: >> >> - 563,5 G Cylinders 1 - 4 Discontinued part piston complete Tolerance range X Identification: >> >> - 561 - 566 G Cylinders 1 - 4 See technical information Service Group 1 Document 1010 25/13 M >> A 65084 M >> S A 65000 M >> T A 65004		4	4851+ PR:E0A,E81, E8A
(1)	948 103 046 71	piston complete Tolerance range X Identification: >> >> - 561 - 566 G Cylinders 1 - 4 See technical information Service Group 1 Document 1010 25/13 M A 65085 >> M S A 65001 >> M T A 65005 >>		4	4851+ PR:E0A,E81, E8A
(1)	948 103 046 60	piston complete Tolerance range X Identification: >> >> + 569,5 G Cylinders 1 - 4 No longer use the part here		4	E0A E81 E8A 4851
(1)	948 103 046 65	piston complete Tolerance range X Identification: >> >> + 569,5 G Cylinders 1 - 4 Discontinued part		4	4851
(1)	948 103 046 68	piston complete Tolerance range X Identification: >> >> + 567 - 572 G Cylinders 1 - 4 See technical information Service Group 1		4	4851+ PR:E0A,E81, E8A

Model: 9PA108 Model life 2007>>2010

Pos	Part Number	Description	Remark	Qty	Model
(1)	948 103 046 72	Document 1010 25/13 M >> A 65084 M >> S A 65000 M >> T A 65004 piston complete Tolerance range X Identification: >> >> + 567 - 572 G Cylinders 1 - 4 See technical information Service Group 1 Document 1010 25/13		4	E0A E81 E8A 4851+ PR:E0A,E81, E8A
(1)	948 103 045 59	M A 65085 >> M S A 65001 >> M T A 65005 >> piston complete Tolerance range X Identification: >> >> - 563,5 G Cylinders 5 - 8		4	E0A E81 E8A 4851
(1)	948 103 045 64	No longer use the part here piston complete Tolerance range X Identification: >> >> - 563,5 G Cylinders 5 - 8		4	4851
(1)	948 103 045 67	Discontinued part piston complete Tolerance range X Identification: >> >> - 561 - 566 G Cylinders 5 - 8 See technical information Service Group 1 Document 1010 25/13		4	4851+ PR:E0A,E81, E8A
(1)	948 103 045 71	M >> A 65084 M >> S A 65000 M >> T A 65004 piston complete Tolerance range X Identification: >> >> - 561 - 566 G Cylinders 5 - 8 See technical information Service Group 1 Document 1010 25/13		4	E0A E81 E8A 4851+ PR:E0A,E81, E8A

Model: 9PA108 Model life 2007>>2010

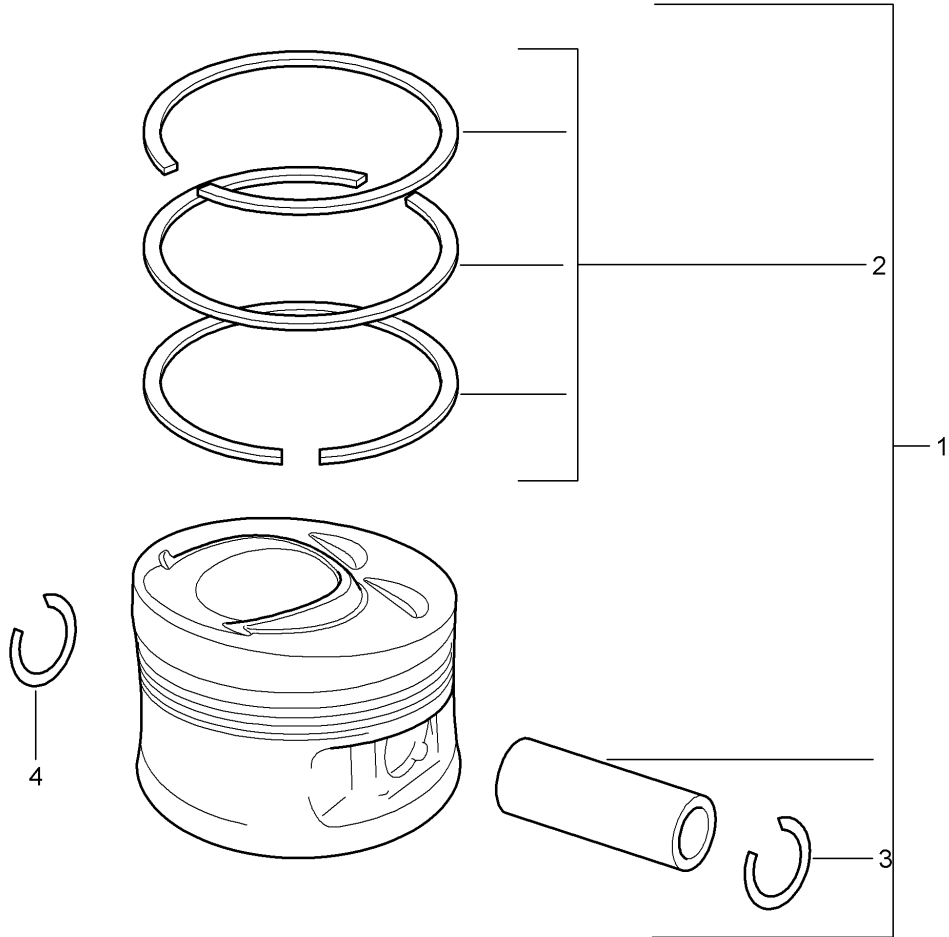
Pos	Part Number	Description	Remark	Qty	Model
(1)	948 103 045 60	M A 65085 >> M S A 65001 >> M T A 65005 >> piston complete Tolerance range X Identification: >> >> + 569,5 G Cylinders 5 - 8		4	E0A E81 E8A 4851
(1)	948 103 045 65	No longer use the part here piston complete Tolerance range X Identification: >> >> + 569,5 G Cylinders 5 - 8		4	4851
(1)	948 103 045 68	Discontinued part piston complete Tolerance range X Identification: >> >> + 567- 572 G Cylinders 5 - 8 See technical information Service Group 1 Document 1010 25/13		4	4851+ PR:E0A,E81, E8A
(1)	948 103 045 72	M >> A 65084 M >> S A 65000 M >> T A 65004 piston complete Tolerance range X Identification: >> >> + 567- 572 G Cylinders 5 - 8 See technical information Service Group 1 Document 1010 25/13		4	E0A E81 E8A 4851+ PR:E0A,E81, E8A
2	948 103 931 14	M A 65085 >> M S A 65001 >> M T A 65005 >> 1 set: piston rings No longer use the part here		8	E0A E81 E8A
(2)	948 103 931 15	1 set: piston rings Discontinued part		8	
(2)	948 103 931 16	1 set: piston rings No longer use the part here		8	4801
(2)	948 103 931 30	1 set: piston rings See technical information Service Group 1 Document 1010 25/13 M >> A 65168 M >> G A 65064		8	4801+ PR:E0A,E0W E0A E0W

Model: 9PA108 Model life 2007>>2010

Pos	Part Number	Description	Remark	Qty	Model
(2)	948 103 941 20	1 set: piston rings See technical information Service Group 1 Document 1010 25/13 M A 65169 >> M G A 65065 >>		8	4801+ PR:E0A,E0W E0A E0W
(2)	948 103 931 16	1 set: piston rings See technical information Service Group 1 Document 1010 25/13 M >> A 65084 M >> S A 65000 M >> T A 65004		8	4851+ PR:E0A,E81, E8A E0A E81 E8A
(2)	948 103 941 21	1 set: piston rings See technical information Service Group 1 Document 1010 25/13 M A 65085 >> M S A 65001 >> M T A 65005 >>		8	4851+ PR:E0A,E81, E8A E0A E81 E8A
3	948 103 341 00	snap ring		16	

Model: 9PA108

Model life 2007>>2010



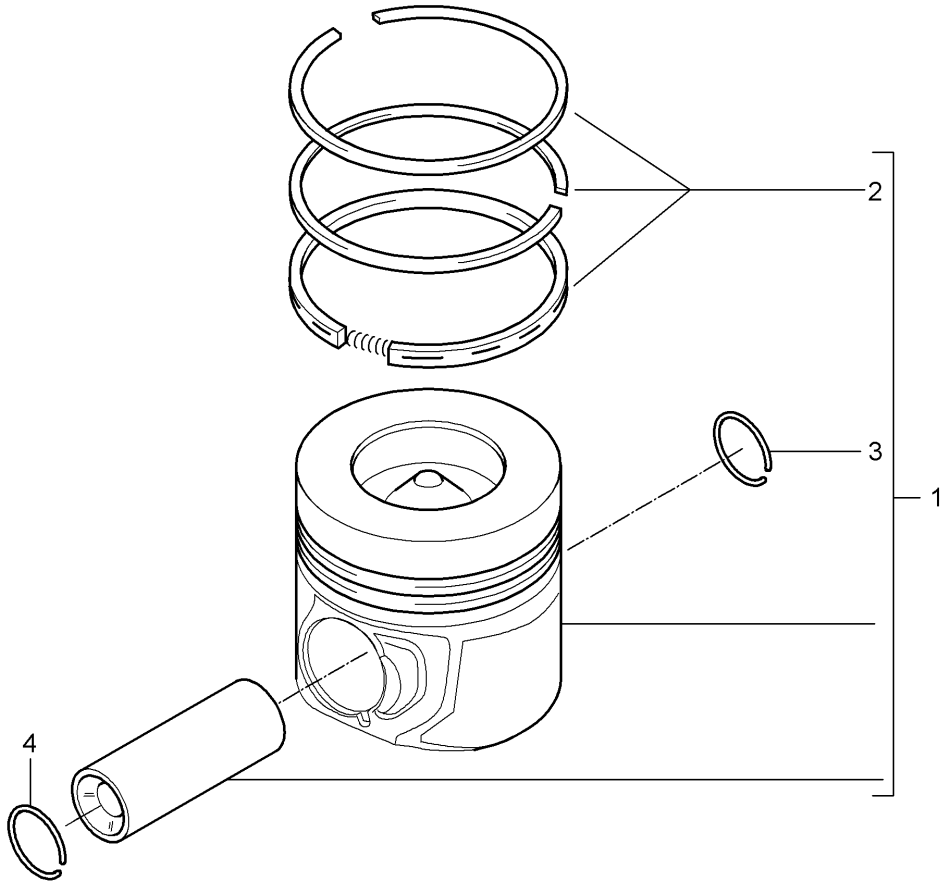
Model: 9PA108

Model life 2007>>2010

Pos	Part Number	Description	Remark	Qty	Model
1	955 103 032 00	piston Piston rings piston complete cylinder 1 / 3 / 5		3	5501
(1)	955 103 033 00	piston complete cylinder 2 / 4 / 6		3	
2	955 103 926 00	1 set: piston rings		6	
3	N 012 273 1	Securing ring C 20 X 1,5		6	
4	N 012 273 1	Securing ring C 20 X 1,5		6	

Model: 9PA108

Model life 2007>>2010



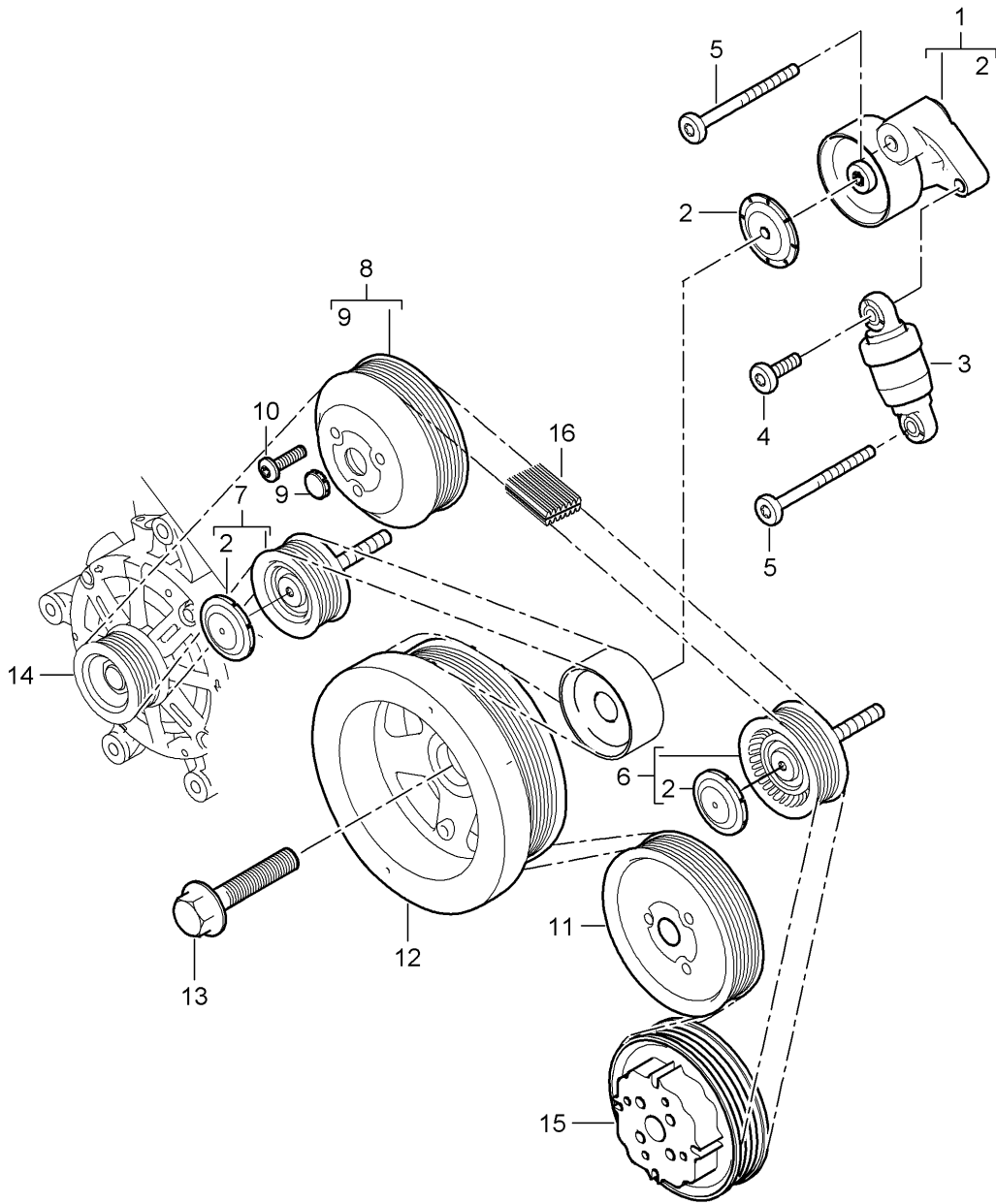
Model: 9PA108

Model life 2007>>2010

Pos	Part Number	Description	Remark	Qty	Model
		piston			059D
1	955 103 034 00	Piston rings		6	
		piston complete			
		Discontinued part			
(1)	958 103 034 00	piston complete		6	
		only in conj. with:			
		Crankcase housing			
		955.101.011.00/01			
		059.103.011.BL/DD			
		or			
		958.101.011.00/01			
		059.103.011.DM/DN			
(1)	958 103 034 01	piston complete		6	
		only in conj. with:			
		Crankcase housing			
		958.101.011.02			
		059.103.011.FS			
2	955 103 927 00	1 set: piston rings		6	
3	955 103 441 00	Securing ring		6	
		30 X 2			
4	955 103 441 00	Securing ring		6	
		30 X 2			

Model: 9PA108

Model life 2007>>2010



Model: 9PA108 Model life 2007>>2010

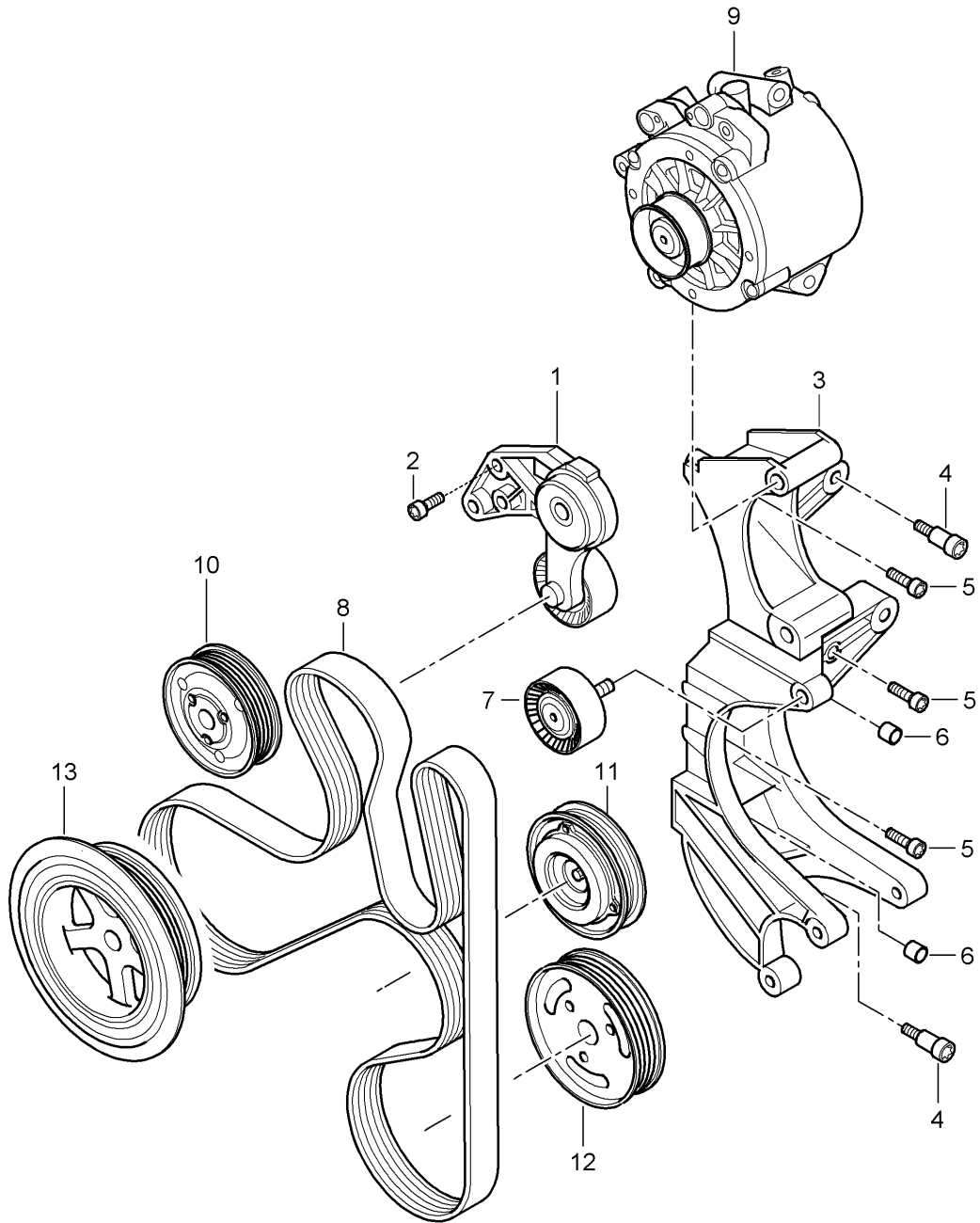
Pos	Part Number	Description	Remark	Qty	Model
1	948 102 403 00	Belt tensioner Belt drive lever with: Tensioning roller M >> 9 05540 M >> G 9 04964 M >> 9 01688 M >> T 9 01787 M >> S 9 00561 Discontinued part		1	4801, 4851
(1)	948 102 403 21	lever with: Tensioning roller M 9 05541 >> M G 9 04965 >> M 9 01689 >> M T 9 01788 >> M S 9 00562 >> Discontinued part		1	4801, 4851
(1)	948 102 403 22	lever with: Tensioning roller Discontinued part		1	4801, 4851
(1)	948 102 403 23	lever with: Tensioning roller		1	4801, 4851
2	948 102 839 00	Protective cap		3	4801, 4851
3	948 102 261 21	tensioner Hydraulic M 9 05541 >> M G 9 04965 >> M 9 01689 >> M T 9 01788 >> M S 9 00562 >>		1	4801, 4851
4	999 073 246 09	Torx screw M 8 X 33	also use: 948 102 403 21	1	4801, 4851
5	999 073 329 09	Torx screw M 8 X 96		2	4801, 4851
6	948 102 119 10	idler pulley with: Fastening screw and Protective cap Discontinued part		1	4801, 4851
(6)	955 102 119 10	idler pulley with: Fastening screw and Protective cap Discontinued part		1	4801, 4851
(6)	7PP 145 276	idler pulley with: Fastening screw and Protective cap Discontinued part		1	4801, 4851
7	948 102 118 00	idler pulley with: Fastening screw and Protective cap Discontinued part		1	4801, 4851

Model: 9PA108 Model life 2007>>2010

Pos	Part Number	Description	Remark	Qty	Model
(7)	948 102 118 20	idler pulley with: Fastening screw and Protective cap		1	
8	948 106 091 00	pulley Coolant pump Discontinued part		1	
(8)	948 106 091 01	pulley Coolant pump		1	
9	948 106 419 00	End cap		1	
10	999 073 104 01	Torx screw M 8 X 16		3	
11		pulley Power-steering pump Tandem pump		1	
12	948 102 241 61	see illustration: vibration damper Crankshaft	403-003	1	
(12)	948 102 241 62	Discontinued part vibration damper Crankshaft		1	
(12)	948 102 241 63	Discontinued part vibration damper Crankshaft		1	
(12)	948 102 241 64	Discontinued part vibration damper Crankshaft		1	
13	948 102 202 10	Hexagon bolt M 18 X 1,5 X 72,1		1	
14		pulley Alternator		1	
15		see illustration: Compressor	902-005	1	
16	955 102 251 00	see illustration: v-belt 7 DPK 2880	813-070	1	
(16)	7PP 903 137	Discontinued part v-belt 7 DPK 2880		1	

Model: 9PA108

Model life 2007>>2010



Model: 9PA108 Model life 2007>>2010

Pos	Part Number	Description	Remark	Qty	Model
		Belt tensioner			5501
1	955 102 299 00	Belt drive		1	
		Belt tensioner			
		M >> 638 08942			
(1)	955 102 361 00	Belt tensioner		1	
		M 638 08943 >>			
		D >> - MJ 2008			
		Discontinued part			
(1)	955 102 361 01	Belt tensioner		1	
		M >> 63A 03026			
		M >> 63A 05019			
		See technical information			
		Service			
		Group 1			
		KD-NR. 1373			
		19/09			
		D - MJ 2009>>			
(1)	955 102 299 00	Belt tensioner		1	
		M 63A 03027 >>			
		M 63A 05020 >>			
		See technical information			
		Service			
		Group 1			
		KD-NR. 1373			
		19/09			
2	N 910 766 01	Socket head bolt with inner multipoint head		3	
		M 8 X 30			
3	955 147 151 00	bracket for alternator		1	PR:OAB
(3)	955 147 151 10	bracket for alternator		1	PR:OAW
4	N 911 519 01	Cylinder fitting screw with inner multipoint head		2	
		M 8 X 28			
5	N 106 730 01	Socket head bolt with inner multipoint head (Kombi)		3	
		M 8 X 40			
6	955 147 501 01	Centre sleeve		2	
		11,15 X 6,5			
		Discontinued part			
(6)	958 147 501 00	Centre sleeve		2	
		11,15 X 6,5			
7	955 102 276 00	idler pulley		1	
		with:			
		Fastening screw			
		M >> 638 08942			
(7)	955 102 119 00	idler pulley		1	
		with:			
		Fastening screw			
		M 638 08943 >> 63A 03026			
		M >> 63A 05019			
		See technical information			
		Service			
		Group 1			
		KD-NR. 1373			
		19/09			
(7)	955 102 276 00	idler pulley		1	
		with:			
		Fastening screw			
		M 63A 03027 >>			
		M 63A 05020 >>			
		See technical information			
		Service			
		Group 1			

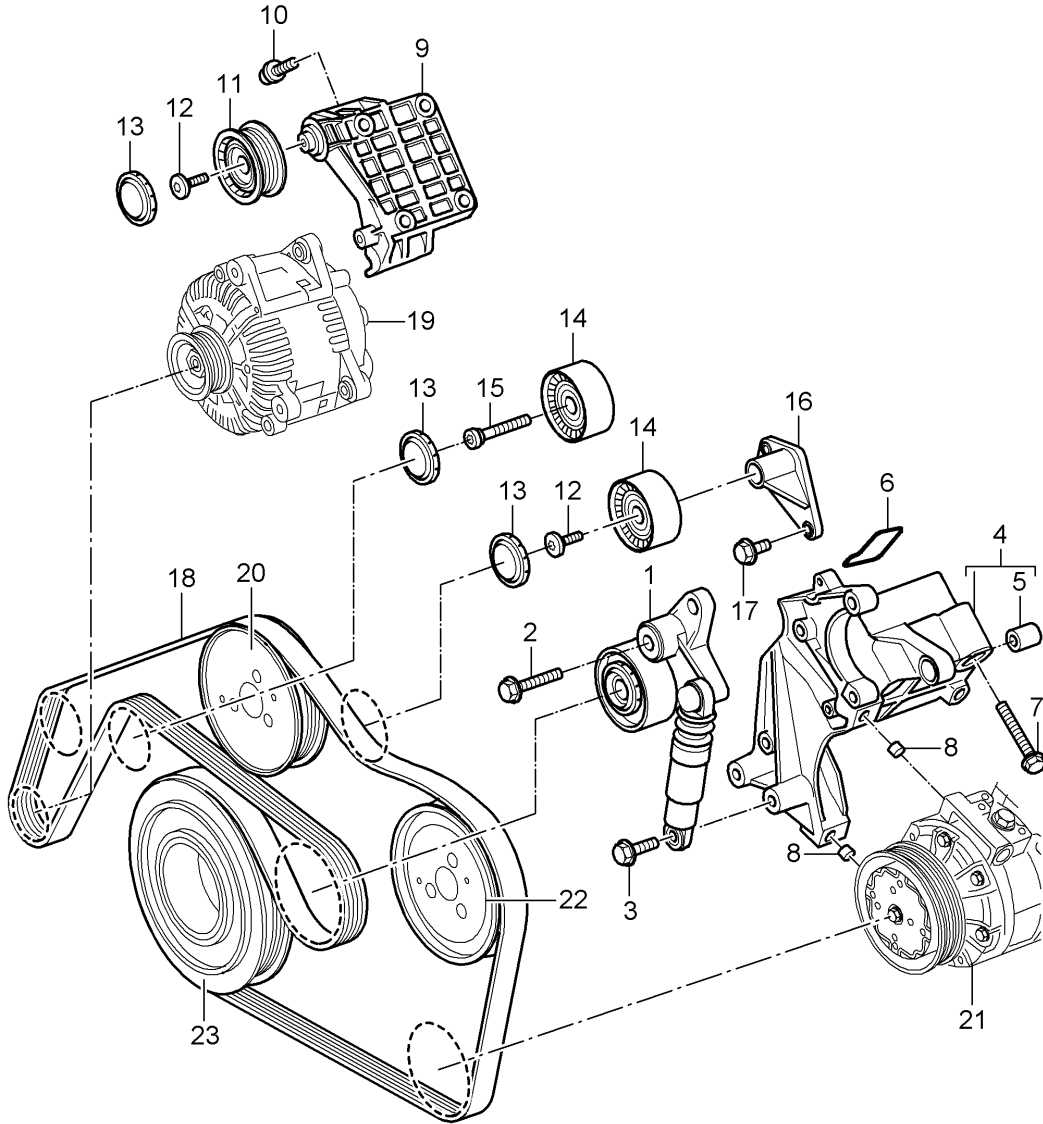
Model: 9PA108

Model life 2007>>2010

Pos	Part Number	Description	Remark	Qty	Model
8	955 102 933 00	KD-NR. 1373 19/09 Poly-rib belt 7DPK 24,92 X 2074 MM		1	
9		Alternator		1	
10		see illustration: pulley	902-005	1	
11		Coolant pump see illustration: Compressor	105-005	1	
12		Air conditioning see illustration: pulley	813-070	1	
13		Power-steering pump Tandem pump see illustration: vibration damper	403-003	1	
		Crankshaft See group	102-002		

Model: 9PA108

Model life 2007>>2010



Model: 9PA108 Model life 2007>>2010

Pos	Part Number	Description	Remark	Qty	Model
1	955 102 361 10	Belt tensioner Belt drive Belt tensioner only in conj. with: Crankcase housing 955.101.011.01 and Hexagon bolt M 10 N .105.797.02		1	059D
(1)	958 102 361 00	Belt tensioner only in conj. with: Crankcase housing 958.101.011.00 and Hexagon bolt M 11 WHT.004.920		1	
2	N 105 797 02	Hex collared bolt AM 10 X 76 only in conj. with: Crankcase housing 955.101.011.01 and Belt tensioner 955.102.361.10		1	
(2)	WHT 004 920	Hex collared bolt M 11 X 72 only in conj. with: Crankcase housing 958.101.011.00 and Belt tensioner 958.102.361.00		1	
3	N 904 400 03	hexagon head bolt (combi) M 8 X 35		1	
4	955 147 151 20	Console Power-steering pump Compressor		1	
5	955 147 410 00	bush 8,4 X 18 X 19,5		1	
6	955 147 661 00	Seal		1	
7	N 102 862 05	Hex collared bolt AM 10 X 60		4	
8	955 147 501 10	Centre sleeve 11,15 X 6,5		2	
9	955 603 252 00	bracket for alternator D >> - MJ 2009		1	
(9)	955 603 252 01	bracket for alternator D - MJ 2010>>		1	
10	N 910 264 02	Socket head collared bolt with inner multipoint head M 10 X 35 D >> - MJ 2009		4	
(10)	N 910 413 01	Socket head collared bolt with inner multipoint head M 10 X 30 D - MJ 2010>>		4	
11	955 102 118 00	idler pulley Discontinued part		1	
(11)	955 102 118 01	idler pulley		1	
12	N 907 663 02	Locating bolt M 8 X 10 X 25		2	

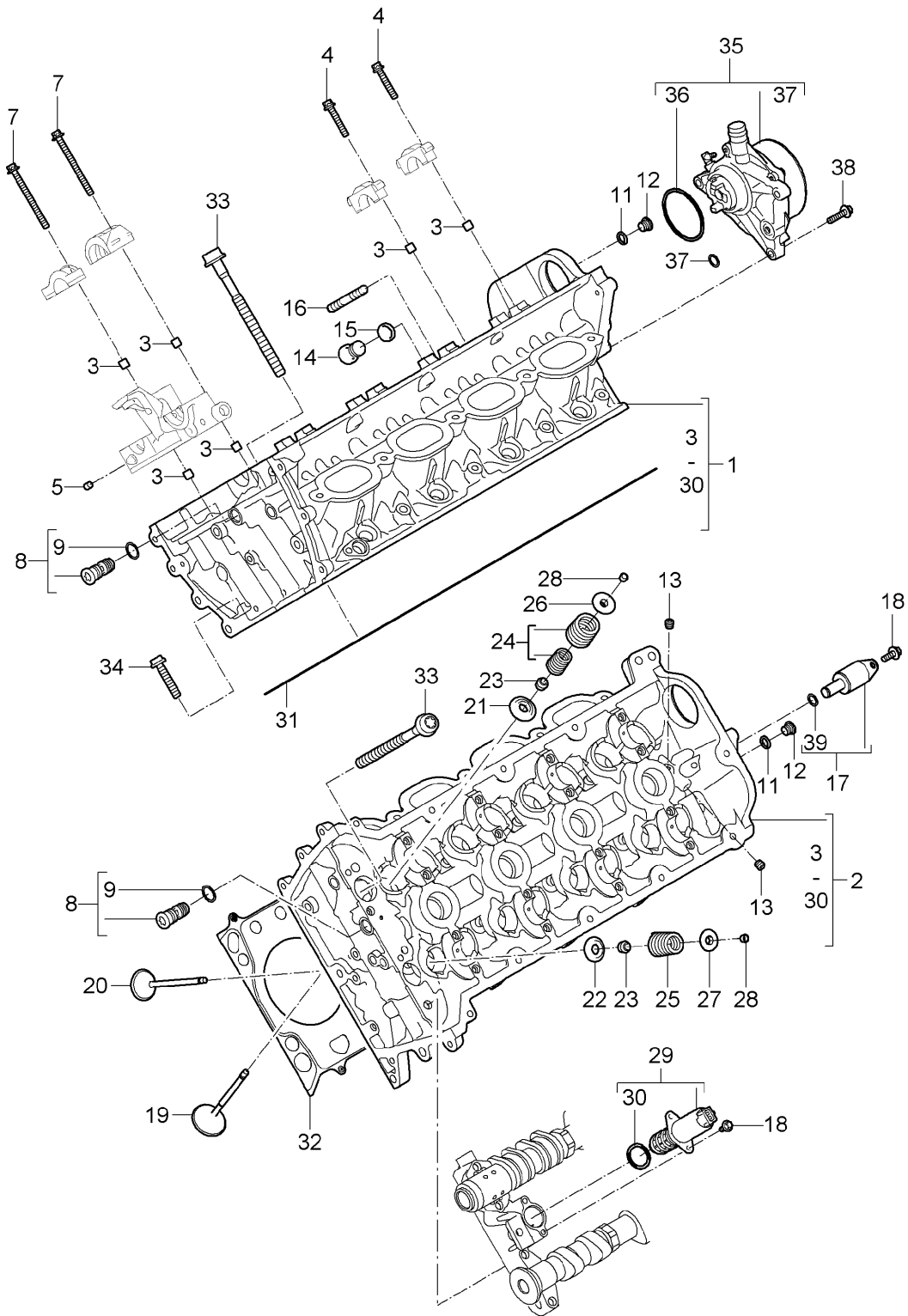
Model: 9PA108

Model life 2007>>2010

Pos	Part Number	Description	Remark	Qty	Model
13	955 102 839 00	Protective cap Discontinued part		3	
(13)	955 102 839 01	Protective cap		3	
14	955 102 119 20	idler pulley Discontinued part		2	
(14)	955 102 119 21	idler pulley		2	
15	N 911 241 01	Cylinder fitting screw with inner multipoint head M 8 X 16,9 X 65		1	
16	955 102 423 00	BRACKET FOR idler pulley		1	
17	N 105 454 02	hexagon head bolt (combi) M 8 X 25		3	
18	955 102 934 00	Poly-rib belt 6 PK 21,18 X 2480 Discontinued part		1	
(18)	958 102 216 00	Poly-rib belt 6 PK 21,18 X 2480		1	
19		Alternator		1	
20		see illustration: pulley	902-005	1	
21		Coolant pump see illustration: Compressor	105-007	1	
22		Air conditioning see illustration: pulley	813-070	1	
23		Power-steering pump see illustration: vibration damper	403-003	1	
		Crankshaft see illustration:	102-020		

Model: 9PA108

Model life 2007>>2010



Model: 9PA108

Model life 2007>>2010

Pos	Part Number	Description	Remark	Qty	Model
		Cylinder head Vacuum pump			4801,4851
1	948 104 015 03	Cylinder head with: Spark plug Cylinders 1 - 4		1	4801
(1)	948 104 015 04	Discontinued part Cylinder head with: Spark plug Cylinders 1 - 4		1	4801
(1)	948 104 015 05	Discontinued part Cylinder head with: Spark plug Cylinders 1 - 4		1	4801
(1)	948 104 015 06	Discontinued part Cylinder head with: Spark plug Cylinders 1 - 4		1	4801
(1)	948 104 015 53	Cylinder head with: Spark plug Cylinders 1 - 4		1	4851
(1)	948 104 015 54	Discontinued part Cylinder head with: Spark plug Cylinders 1 - 4		1	4851
(1)	948 104 015 55	Discontinued part Cylinder head with: Spark plug Cylinders 1 - 4		1	4851
(1)	948 104 015 56	Discontinued part Cylinder head with: Spark plug Cylinders 1 - 4		1	4851
2	948 104 016 03	Cylinder head with: Spark plug Cylinders 5 - 8		1	4801
(2)	948 104 016 04	Discontinued part Cylinder head with: Spark plug Cylinders 5 - 8		1	4801
(2)	948 104 016 05	Discontinued part Cylinder head with: Spark plug Cylinders 5 - 8		1	4801
(2)	948 104 016 06	Discontinued part Cylinder head with: Spark plug Cylinders 5 - 8		1	4801
(2)	948 104 016 53	Cylinder head with: Spark plug Cylinders 5 - 8		1	4851

Model: 9PA108 Model life 2007>>2010

Pos	Part Number	Description	Remark	Qty	Model
(2)	948 104 016 54	Discontinued part Cylinder head with: Spark plug Cylinders 5 - 8		1	4851
(2)	948 104 016 55	Discontinued part Cylinder head with: Spark plug Cylinders 5 - 8		1	4851
(2)	948 104 016 56	Discontinued part Cylinder head with: Spark plug Cylinders 5 - 8		1	4851
3	944 104 361 00	dowel sleeve		44	
4	999 073 363 01	Torx screw M 6 X 35		32	
5	999 501 023 30	Sealing cap 6,7		2	
7	900 385 027 01	Torx screw BM 6 X 70		8	
8	948 104 250 01	choke		2	
9	999 707 577 40	O-ring 10,0 X 2,5		2	
11	900 123 144 30	seal ring A 10 X 13,5		2	
12	900 219 023 01	sealing plug M 10 X 1		2	
13	900 063 010 00	sealing plug M 8 X 1		4	
14	900 219 024 01	sealing plug M 14 X 1,5		2	4801
15	900 123 007 30	seal ring A 14 X 18		2	4801
16	900 191 003 01	Threaded stud MFS 8 X 33		24	4801
(16)	900 191 003 02	Discontinued part Threaded stud MFS 8 X 33		24	4801
(16)	999 060 002 01	Discontinued part Threaded stud MFS 8 X 33		24	4801
(16)	900 191 002 02	Threaded stud MFS 8 X 40		24	4851
		M >> 9 01688			
		M >> T 9 01787			
		M >> S 9 00561			
(16)	900 191 005 01	Threaded stud MFS 8 X 42 M 9 01689 >> M T 9 01788 >> M S 9 00562 >>		24	4851
(16)	999 060 001 01	Discontinued part Threaded stud MFS 8 X 42		24	4851
17	948 105 308 02	throttle control element Valve		2	
(17)	948 105 308 03	Discontinued part throttle control element Valve		2	
18	900 385 112 01	Torx screw BM 5 X 12		8	

Model: 9PA108 Model life 2007>>2010

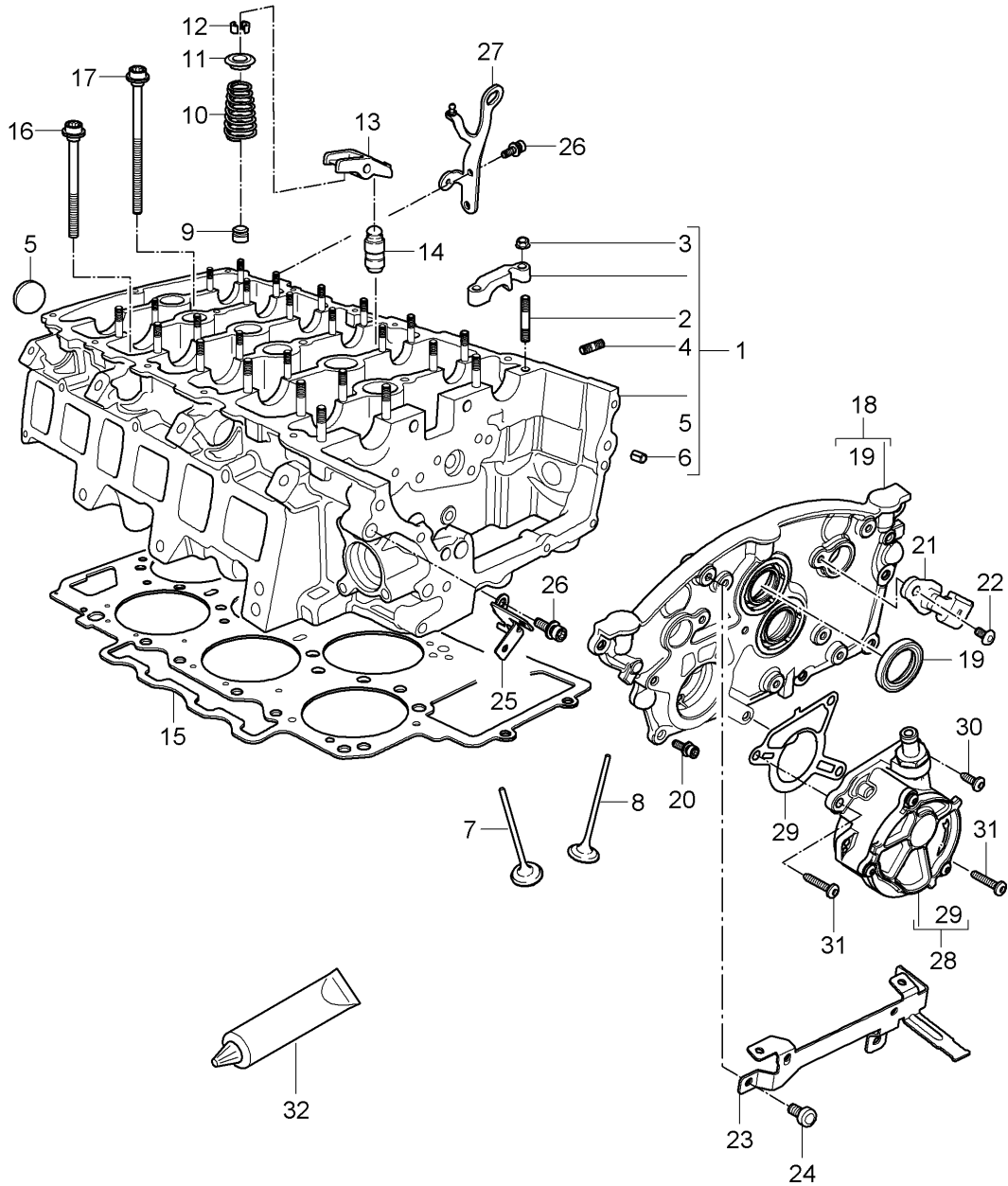
Pos	Part Number	Description	Remark	Qty	Model
19	948 105 321 02	Inlet valve		16	
20	948 105 322 02	exhaust valve		16	4801
(20)	948 105 322 52	exhaust valve		16	4851
21	948 105 151 01	spring disc Intake	lower	16	
22	948 105 153 01	spring disc Exhaust	lower	16	4801
(22)	948 105 153 51	spring disc Exhaust	lower	16	4851
23	996 105 115 52	Valve stem seal		32	
24	948 105 094 00	1 set of valve springs Intake		16	
(24)	948 105 094 02	No longer use the part here 1 set of valve springs Intake		16	
25	948 105 420 01	Valve spring Exhaust		16	4801
(25)	948 105 420 02	Discontinued part Valve spring Exhaust		16	4801
(25)	948 105 095 50	1 set of valve springs Exhaust		16	4851
(25)	948 105 095 52	Discontinued part 1 set of valve springs Exhaust		16	4851
26	948 105 150 01	spring disc Intake	upper	16	
27	996 105 121 54	spring disc Exhaust	upper	16	4801
(27)	948 105 152 51	spring disc Exhaust	upper	16	4851
28	996 105 123 52	cotter, split		64	
29	948 105 304 04	throttle control element Camshaft		2	
(29)	948 105 304 05	Discontinued part throttle control element Camshaft		2	
(29)	948 105 304 06	Discontinued part throttle control element Camshaft		2	
(29)	948 105 304 07	Discontinued part throttle control element Camshaft		2	
30	999 707 446 40	O-ring 18 X 2,5		2	
31	948 104 173 02	Cylinder head gasket Cylinders 1 - 4		1	
(31)	948 104 173 03	Discontinued part Cylinder head gasket Cylinders 1 - 4		1	
(31)	948 104 173 04	Discontinued part Cylinder head gasket Cylinders 1 - 4		1	
(31)	948 104 173 05	Discontinued part Cylinder head gasket Cylinders 1 - 4		1	
32	948 104 174 02	Cylinder head gasket Cylinders 5 - 8		1	
(32)	948 104 174 03	Discontinued part Cylinder head gasket Cylinders 5 - 8		1	
(32)	948 104 174 04	Discontinued part Cylinder head gasket		1	

Model: 9PA108 Model life 2007>>2010

Pos	Part Number	Description	Remark	Qty	Model
(32)	948 104 174 05	Cylinders 5 - 8 Discontinued part Cylinder head gasket		1	
33	948 104 181 10	Cylinders 5 - 8 Socket head bolt M 11 X 1,5 X 140		20	
34	999 219 044 01	Socket head bolt M 8 X 40		1	
35	948 110 050 03	Vacuum pump Discontinued part		1	
(35)	948 110 050 04	Vacuum pump Discontinued part		1	
(35)	948 110 050 05	Vacuum pump Discontinued part		1	
(35)	948 110 050 06	Vacuum pump		1	
36	999 707 581 40	O-ring 54 X 3 M >> 9 05540 M >> G 9 04964 M >> 9 01688 M >> T 9 01787 M >> S 9 00561 Discontinued part		1	4801 4801, E0W 4851 4851, E8A 4851, E81
(36)	999 707 581 41	O-ring 54 X 3 M 9 05541 >> M G 9 04965 >> M 9 01689 >> M T 9 01788 >> M S 9 00562 >>		1	4801 4801, E0W 4851 4851, E8A 4851, E81
37	999 707 582 40	O-ring 13 X 3 M >> 9 05540 M >> G 9 04964 M >> 9 01688 M >> T 9 01787 M >> S 9 00561		1	4801 4801, E0W 4851 4851, E8A 4851, E81
(37)	999 707 582 41	O-ring 13 X 3 M 9 05541 >> M G 9 04965 >> M 9 01689 >> M T 9 01788 >> M S 9 00562 >>		1	4801 4801, E0W 4851 4851, E8A 4851, E81
38	900 385 072 01	Torx screw M 6 X 25		3	
39	999 701 582 40	O-ring 11,5 X 1,8		2	

Model: 9PA108

Model life 2007>>2010



Model: 9PA108

Model life 2007>>2010

Pos	Part Number	Description	Remark	Qty	Model
		Cylinder head Vacuum pump Cylinder head			5501
1	955 104 901 10	without:		1	
		Valves			
2	955 104 397 00	Threaded pin M 7 X 45		28	
3	N 902 790 06	Hexagon collar nut M 7		28	
4	N 044 408 7	Threaded pin M 8 X 25		12	
5	N 908 982 02	End cap B 30		1	
6	N 903 327 01	spring pin 9 X 11,8		4	
7	955 105 601 00	Inlet valve Short		6	
(7)	955 105 601 10	Inlet valve Long		6	
8	955 105 312 00	exhaust valve Short		6	
(8)	955 105 312 10	exhaust valve Long		6	
9	996 105 115 52	Valve stem seal		24	
-	000 043 204 46	Sleeve for Repair		1	
10	955 105 119 00	Valve stem seal		24	
11	955 105 641 00	Valve spring spring disc		24	
12	955 105 651 00	Valve collet		48	
13	955 105 417 10	cam lever		24	
14	955 105 423 01	Differential housing Hydraulic		24	
15	955 104 171 00	Cylinder head gasket Discontinued part		1	
(15)	955 104 171 01	Cylinder head gasket		1	
16	WHT 000 497 A	Socket head bolt with inner multipoint head M 9 X 111		13	
(16)	WHT 005 465	Discontinued part Socket head bolt with inner multipoint head M 9 X 111		13	
17	WHT 000 789 A	Socket head bolt with inner multipoint head M 9 X 141		7	
(17)	WHT 005 466	Discontinued part Socket head bolt with inner multipoint head M 9 X 141		7	
18	955 104 122 10	Cover for timing chain No longer use the part here		1	
(18)	958 104 122 00	Cover for timing chain		1	
19	955 104 091 10	Seal		2	
20	N 101 244 08	Hexagon socket head bolt (combi) M 6 X 20		6	
21	955 606 106 10	impulse sender Camshaft		2	
22	N 911 322 01	Hex socket oval head collared M 6 X 16 Discontinued part		2	

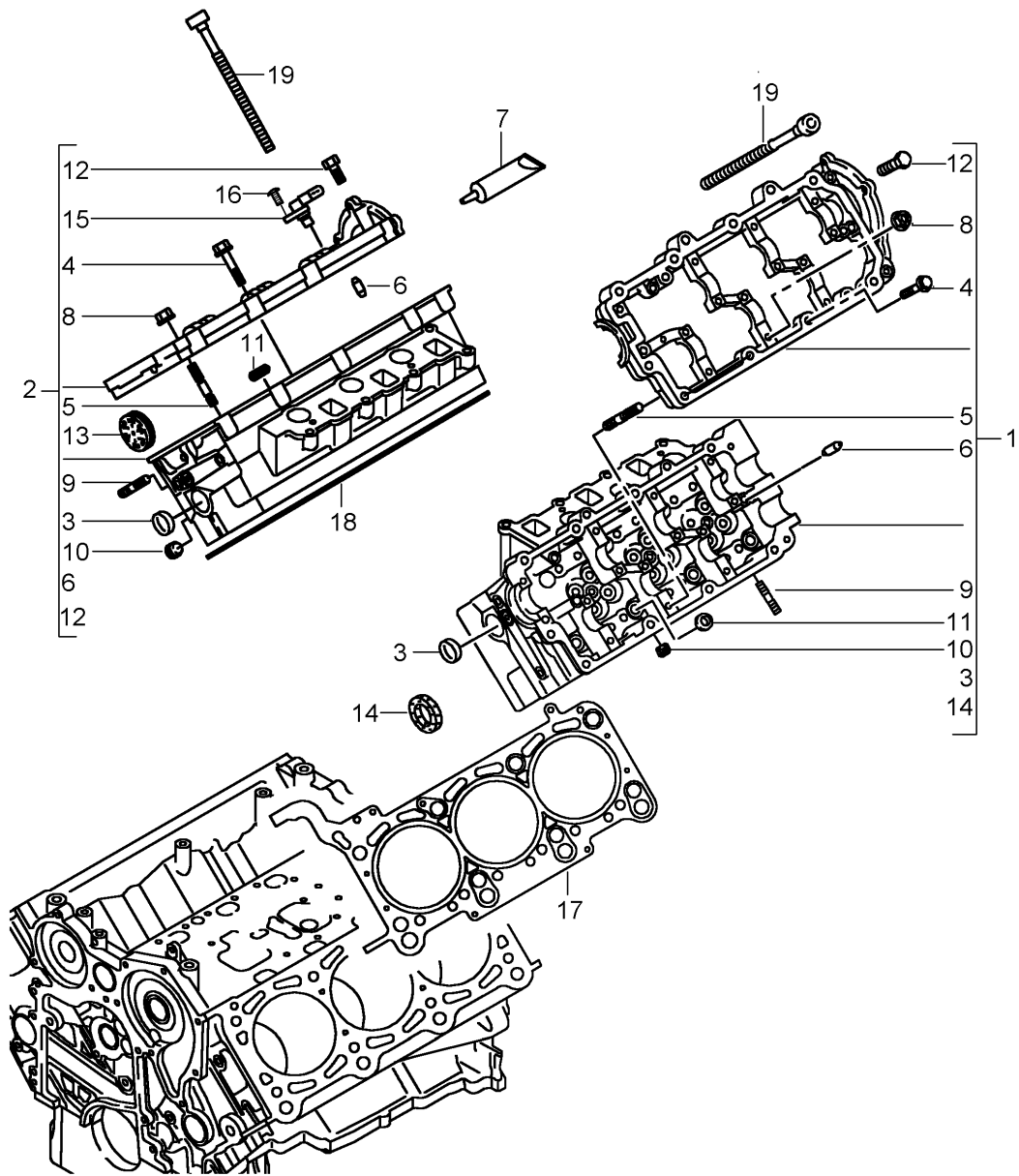
Model: 9PA108

Model life 2007>>2010

Pos	Part Number	Description	Remark	Qty	Model
(22)	N 104 514 05	Oval hexagon socket head bolt M 6 X 16		2	
23	955 607 501 00	Bracket		1	
24	N 103 352 06	Hexagon socket flat head bolt M 6 X 12		2	
25	955 607 502 00	Bracket		1	
26	N 910 842 01	Socket head bolt with inner multipoint head (Kombi) M 8 X 25		3	
27	955 104 305 00	Transportation shackle		1	
28	955 110 050 02	Vacuum pump M >> 638 28868		1	
(28)	955 110 050 03	Vacuum pump M 638 28869 >>		1	
29	955 110 581 00	Seal		1	
30	N 101 243 06	Oval hexagon socket head bolt M 6 X 20		1	
31	N 105 821 03	oval head countersunk bolt with multi-point socket head M 6 X 40		2	
32	000 043 300 39	sealant 1 tube 50 ml. for Cover for timing chain Cylinder head		X	
(32)	000 043 207 54	sealant 1 tube 125 GR. for Cover for timing chain Valve cover		X	

Model: 9PA108

Model life 2007>>2010



Model: 9PA108

Model life 2007>>2010

Pos	Part Number	Description	Remark	Qty	Model
1	955 104 016 00	Cylinder head Complete cylinder head Cyl. 4 - 6 Discontinued part		1	059D
(1)	955 104 016 01	Complete cylinder head Cyl. 4 - 6 Discontinued part		1	
(1)	955 104 016 02	Complete cylinder head Cyl. 4 - 6 Discontinued part		1	
(1)	955 104 016 03	Complete cylinder head Cyl. 4 - 6		1	
2	955 104 015 00	Complete cylinder head Cyl. 1 - 3 Discontinued part		1	
(2)	955 104 015 01	Complete cylinder head Cyl. 1 - 3 Discontinued part		1	
(2)	955 104 015 02	Complete cylinder head Cyl. 1 - 3 Discontinued part		1	
(2)	955 104 015 03	Complete cylinder head Cyl. 1 - 3		1	
3	N 011 908 5	End cap 28		4	
4	N 102 056 04	hexagon head bolt (combi) M 6 X 32		24	
5	955 104 399 00	Threaded pin M 6 X 49		12	
		only in conj. with: Cylinder head 059.103.063.ES/FB 059.103.064.CS/EJ			
(5)	N 911 642 01	Threaded stud M 6 X 50		12	
		only in conj. with: Cylinder head 059.103.063.GH 059.103.064.GA			
6	955 104 251 00	dowel sleeve 8 M 6 X 32		4	
7	000 043 207 49	sealant 1 tube 80 ML Discontinued part		X	
(7)	958 101 902 00	sealant 80 ML		X	
8	N 904 465 02	Hexagon collar nut M 6		12	
9	N 044 441 5	Threaded pin M 8 X 40		12	
10	N 102 833 04	sealing plug M 8 X 1		2	
11	955 104 377 00	Washer 12,6 X 22,4 X 4,5		16	
12	N 911 315 01	sealing plug M 10 X 1 X 8		2	
13	955 104 113 00	End cap		1	
14	955 104 185 00	Shaft oil seal		1	
15	955 606 106 20	impulse sender Camshaft Discontinued part		1	
(15)	958 606 106 00	impulse sender		1	

Model: 9PA108

Model life 2007>>2010

Pos	Part Number	Description	Remark	Qty	Model
(15)	958 606 106 01	Camshaft Discontinued part impulse sender		1	
16	N 101 961 03	Camshaft fillister head bolt with multi-point socket head M 6 X 18		1	
17	955 104 174 00	Cylinder head gasket 1,1 MM 1 LOCH		X	
(17)	955 104 174 01	No longer use the part here Cylinder head gasket 1,1 MM 1 Loch		X	
(17)	955 104 174 02	No longer use the part here Cylinder head gasket 1,1 MM 1 LOCH		X	
(17)	955 104 174 10	Cylinder head gasket 1,15 MM 2 LOECHER		X	
(17)	955 104 174 11	No longer use the part here Cylinder head gasket 1,15 MM 2 Loecher		X	
(17)	955 104 174 12	No longer use the part here Cylinder head gasket 1,15 MM 2 LOECHER		X	
(17)	955 104 174 20	Cylinder head gasket 1,2 MM 3 LOECHER		X	
(17)	955 104 174 21	No longer use the part here Cylinder head gasket 1,2 MM 3 Loecher		X	
(17)	955 104 174 22	No longer use the part here Cylinder head gasket 1,2 MM 3 LOECHER		X	
18	955 104 173 00	Cylinder head gasket 1,1 MM 1 LOCH		X	
(18)	955 104 173 01	No longer use the part here Cylinder head gasket 1,1 MM 1 Loch		X	
(18)	955 104 173 02	No longer use the part here Cylinder head gasket 1,1 MM 1 LOCH		X	
(18)	955 104 173 10	Cylinder head gasket 1,15 MM 2 LOECHER		X	
(18)	955 104 173 11	No longer use the part here Cylinder head gasket 1,15 MM 2 Loecher		X	
(18)	955 104 173 12	No longer use the part here Cylinder head gasket 1,15 MM 2 LOECHER		X	
(18)	955 104 173 20	Cylinder head gasket		X	

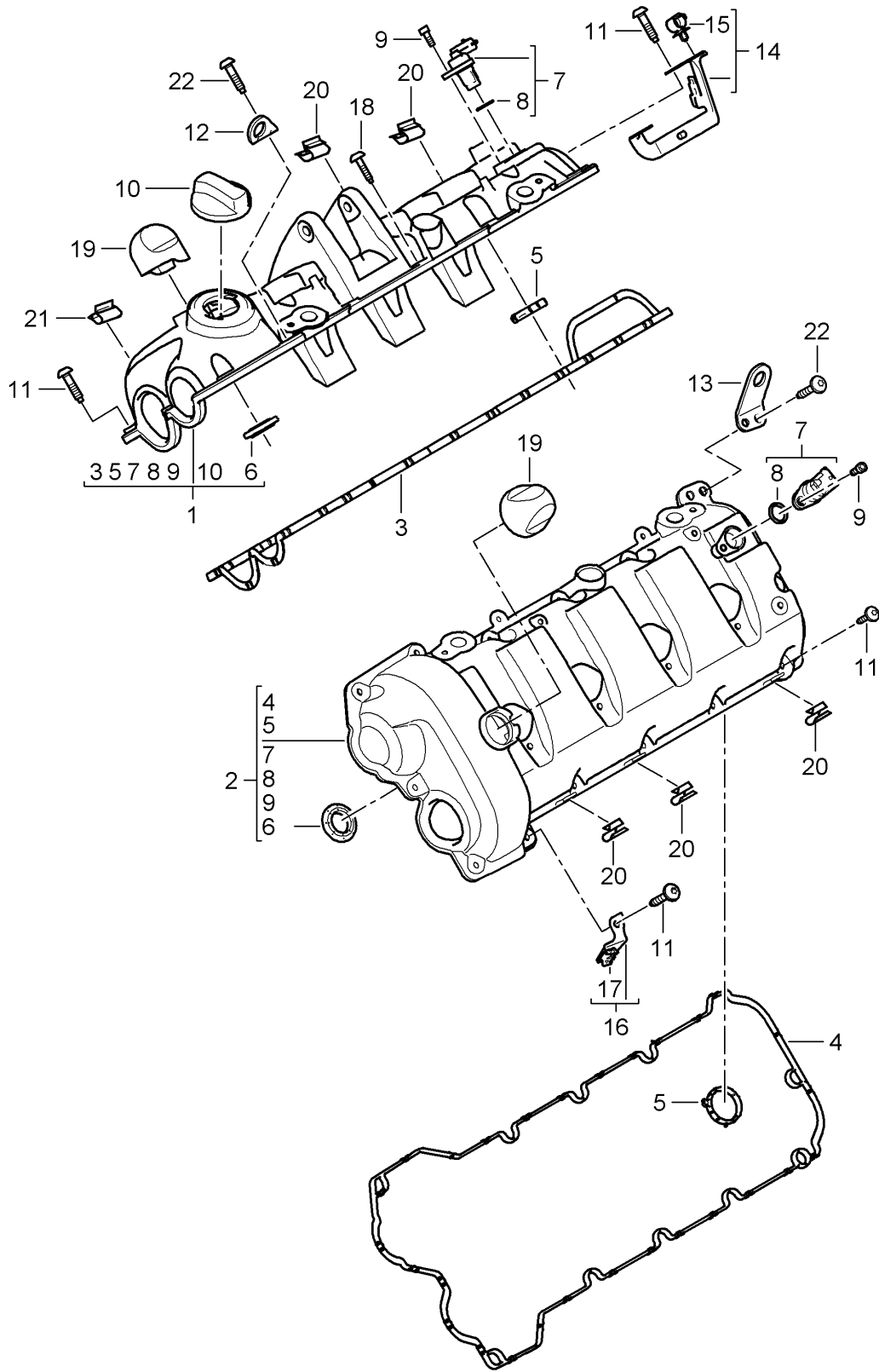
Model: 9PA108

Model life 2007>>2010

Pos	Part Number	Description	Remark	Qty	Model
(18)	955 104 173 21	1,2 MM 3 LOECHER No longer use the part here Cylinder head gasket		X	
(18)	955 104 173 22	1,2 MM 3 Loecher No longer use the part here Cylinder head gasket		X	
19	955 104 181 00	1,2 MM 3 LOECHER Socket head bolt M 12 X 1,5 X 159,5		16	

Model: 9PA108

Model life 2007>>2010



Model: 9PA108 Model life 2007>>2010

Pos	Part Number	Description	Remark	Qty	Model
1	948 105 135 02	Valve cover Valve cover Cylinders 1 - 4 M >> 9 05540 M >> G 9 04964 M >> 9 01688 M >> T 9 01787 M >> S 9 00561		1	4801, 4851 4801, E0A 4801, E0W 4851, E0A 4851, E8A 4851, E81
(1)	948 105 135 03	Valve cover Cylinders 1 - 4 M 9 05541 >> M G 9 04965 >> M 9 01689 >> M T 9 01788 >> M S 9 00562 >>		1	4801, E0A 4801, E0W 4851, E0A 4851, E8A 4851, E81
2	948 105 136 03	Valve cover Cylinders 5 - 8 M >> 9 05540 M >> G 9 04964 M >> 9 01688 M >> T 9 01787 M >> S 9 00561		1	4801, E0A 4801, E0W 4851, E0A 4851, E8A 4851, E81
(2)	948 105 136 04	Valve cover Cylinders 5 - 8 M 9 05541 >> M G 9 04965 >> M 9 01689 >> M T 9 01788 >> M S 9 00562 >>		1	4801, E0A 4801, E0W 4851, E0A 4851, E8A 4851, E81
3	948 105 935 01	Seal Cylinders 1 - 4		1	
4	948 105 936 01	Seal Cylinders 5 - 8		1	
5	948 105 937 02	Seal	inner	8	
6	948 105 938 00	Seal throttle control element Camshaft		2	
7	997 606 106 01	Hall sensor Discontinued part		2	
(7)	948 606 106 00	Hall sensor		2	
8	999 707 404 40	O-ring 17,05 X 1,78		2	
9	900 387 264 01	Socket head bolt M 6 X 16 M >> 9 05540 M >> G 9 04964 M >> 9 01688 M >> T 9 01787 M >> S 9 00561		2	4801, E0A 4801, E0W 4851, E0A 4851, E8A 4851, E81
(9)	999 073 903 30	fillister hd. bolt M 6 X 20		2	
(9)	999 073 903 31	Discontinued part fillister hd. bolt M 6 X 20 M 9 05541 >> M G 9 04965 >> M 9 01689 >> M T 9 01788 >> M S 9 00562 >>		2	4801, E0A 4801, E0W 4851, E0A 4851, E8A 4851, E81
10	955 104 485 00	End cap		1	
11	999 073 341 01	flat round head bolt M 6 X 30 M >> 9 05540		24	4801, E0A

Model: 9PA108 Model life 2007>>2010

Pos	Part Number	Description	Remark	Qty	Model
(11)	999 073 905 30	M >> G 9 04964 M >> 9 01688 M >> T 9 01787 M >> S 9 00561 fillister hd. bolt M 6 X 30 Cylinders 1 - 4 Discontinued part		10	4801, E0W 4851, E0A 4851, E8A 4851, E81
(11)	999 073 905 31	fillister hd. bolt M 6 X 30 Cylinders 1 - 4 M 9 05541 >> M G 9 04965 >> M 9 01689 >> M T 9 01788 >> M S 9 00562 >>		10	4801, E0A 4801, E0W 4851, E0A 4851, E8A 4851, E81
(11)	999 073 905 30	fillister hd. bolt M 6 X 30 Cylinders 5 - 8 Discontinued part		13	
(11)	999 073 905 31	fillister hd. bolt M 6 X 30 Cylinders 5 - 8 M 9 05541 >> M G 9 04965 >> M 9 01689 >> M T 9 01788 >> M S 9 00562 >>		13	4801, E0A 4801, E0W 4851, E0A 4851, E8A 4851, E81
12	948 104 305 00	Transportation shackle Discontinued part		1	
(12)	948 104 305 20	Transportation shackle		1	
13	948 104 306 00	Transportation shackle Discontinued part		1	
(13)	948 104 306 20	Transportation shackle		1	
14	948 607 136 01	Bracket		1	
15	999 507 603 40	Cable holder		1	
16	948 606 151 00	Holder for lambda probe		1	
17	999 507 808 09	Cable holder		1	
18	999 073 377 01	flat round head bolt M 8 X 35 Cylinders 1 - 4 M >> 9 05540 M >> G 9 04964 M >> 9 01688 M >> T 9 01787 M >> S 9 00561		2	4801, E0A 4801, E0W 4851, E0A 4851, E8A 4851, E81
(18)	999 073 908 30	fillister hd. bolt M 8 X 35 Cylinders 1 - 4 Discontinued part		3	
(18)	999 073 908 31	fillister hd. bolt M 8 X 35 Cylinders 1 - 4 M 9 05541 >> M G 9 04965 >> M 9 01689 >> M T 9 01788 >> M S 9 00562 >>		3	4801, E0A 4801, E0W 4851, E0A 4851, E8A 4851, E81
19	948 607 240 00	Cover cap M >> 9 05540 M >> G 9 04964 M >> 9 01688 M >> T 9 01787		2	4801, E0A 4801, E0W 4851, E0A 4851, E8A

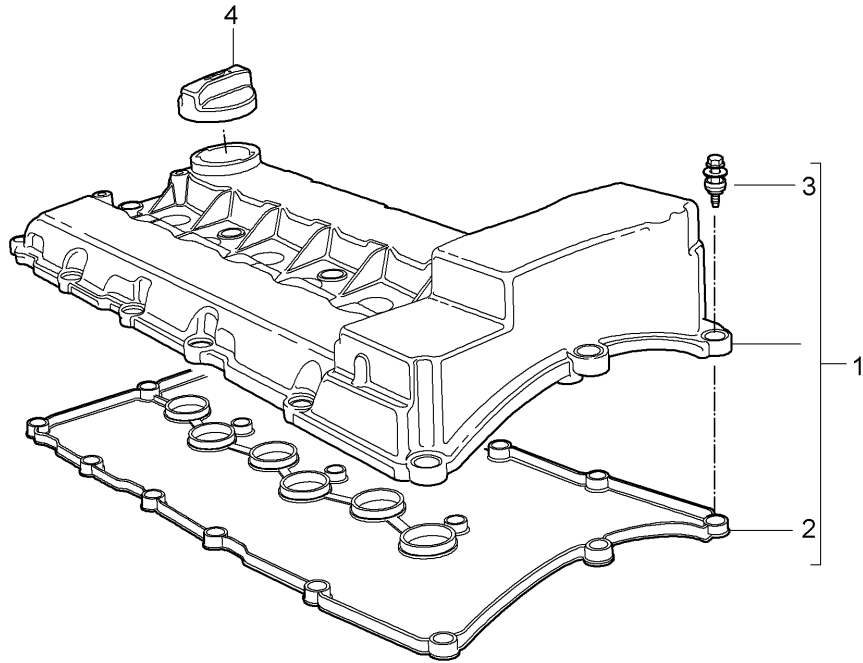
Model: 9PA108

Model life 2007>>2010

Pos	Part Number	Description	Remark	Qty	Model
(19)	948 607 241 00	M >> S 9 00561 Cover cap		2	4851, E81
		M 9 05541 >>			4801, E0A
		M G 9 04965 >>			4801, E0W
		M 9 01689 >>			4851, E0A
		M T 9 01788 >>			4851, E8A
		M S 9 00562 >>			4851, E81
20	999 652 326 03	Cable fastener 3,5 - 4,0		5	4801
(20)	999 652 326 03	Cable fastener 3,5 - 4,0		2	4851
21	999 507 798 09	Cable fastener 5,1		1	4801
22	999 073 377 01	flat round head bolt M 8 X 35		4	
		M >> 9 05540			4801, E0A
		M >> G 9 04964			4801, E0W
		M >> 9 01688			4851, E0A
		M >> T 9 01787			4851, E8A
		M >> S 9 00561			4851, E81
(22)	900 385 042 01	Torx screw M 8 X 35		4	
		M 9 05541 >>			4801, E0A
		M G 9 04965 >>			4801, E0W
		M 9 01689 >>			4851, E0A
		M T 9 01788 >>			4851, E8A
		M S 9 00562 >>			4851, E81

Model: 9PA108

Model life 2007>>2010



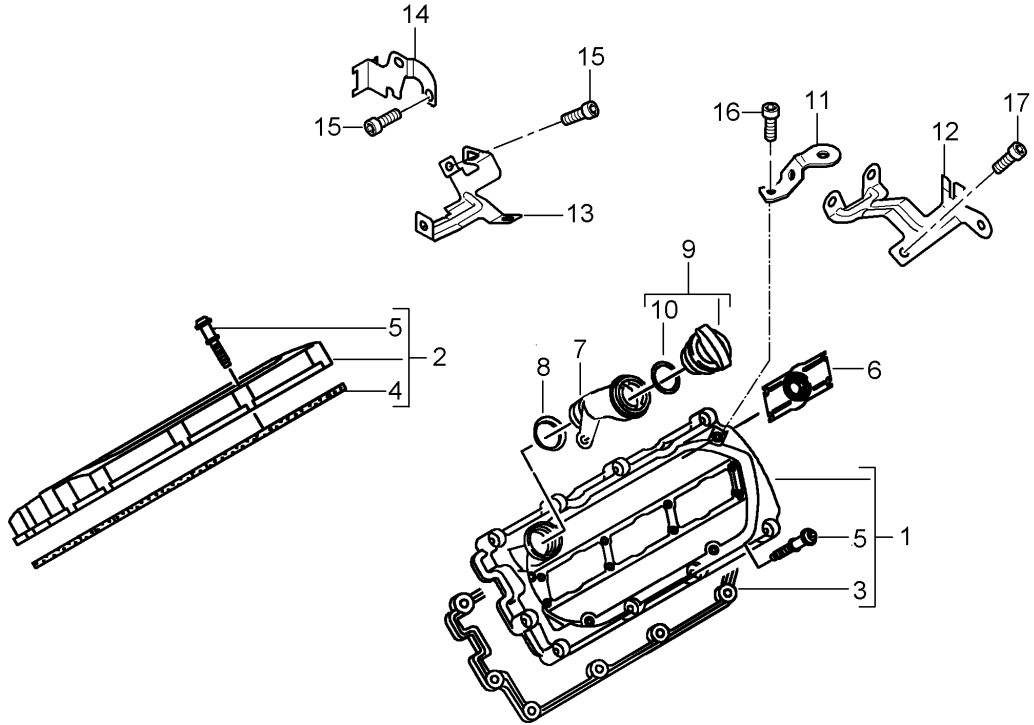
Model: 9PA108

Model life 2007>>2010

Pos	Part Number	Description	Remark	Qty	Model
1	955 105 135 00	Valve cover Valve cover Discontinued part		1	5501
(1)	955 105 135 01	Valve cover Discontinued part		1	
(1)	958 105 135 30	Valve cover No longer use the part here		1	
(1)	958 105 135 31	Valve cover		1	
2	955 105 231 00	Seal No longer use the part here		1	
(2)	955 105 231 01	Seal		1	
3	955 105 343 00	Hexagon bolt		17	
		with:			
4	955 104 485 00	guide sleeve End cap		1	

Model: 9PA108

Model life 2007>>2010

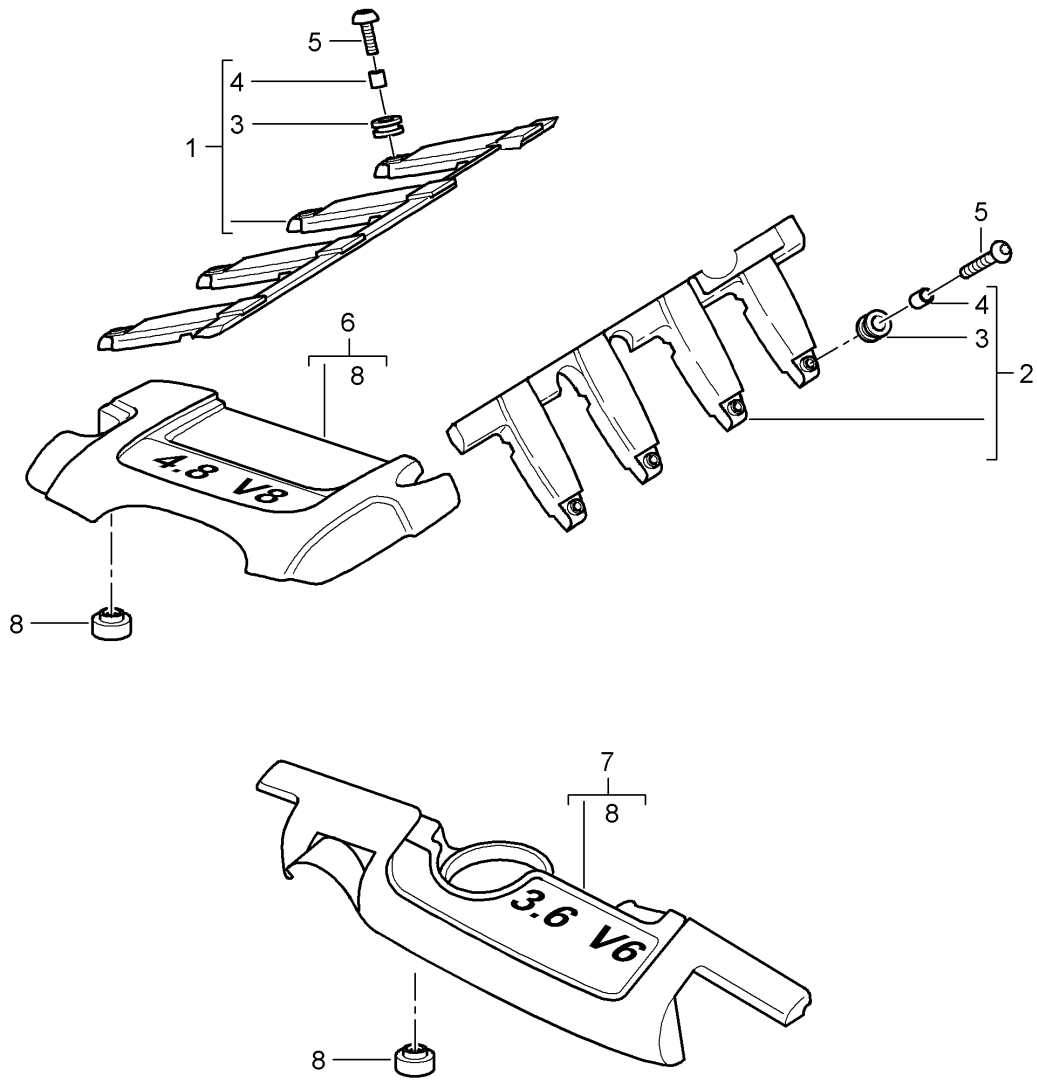


Model: 9PA108 Model life 2007>>2010

Pos	Part Number	Description	Remark	Qty	Model
1	955 105 135 10	Valve cover Valve cover Cyl. 4 - 6 Discontinued part		1	059D
(1)	955 105 135 11	Valve cover Cyl. 4 - 6		1	
2	955 105 136 10	Valve cover Cyl. 1 - 3 Discontinued part		1	
(2)	955 105 136 11	Valve cover Cyl. 1 - 3		1	
3	955 105 231 10	Seal Cyl. 4 - 6		1	
4	955 105 232 10	Seal Cyl. 1 - 3		1	
5	955 105 343 10	flat round head bolt		18	
		with:			
6		guide sleeve End cap		6	
		see illustration:	107-008		
7	955 107 115 00	fuel filler neck engine oil		1	
8	955 107 287 00	seal ring		1	
9	955 104 485 10	End cap Discontinued part		1	
(9)	958 104 485 00	End cap Discontinued part		1	
(9)	958 104 485 10	End cap		1	
10	955 107 336 00	Seal Discontinued part		1	
(10)	958 104 536 00	Seal		1	
11	955 606 845 00	Bracket		1	
12	955 606 846 00	Bracket		1	
13	955 606 502 00	Bracket		1	
14	955 606 503 00	Bracket		1	
15	N 103 352 06	Hexagon socket flat head bolt M 6 X 12		2	
16	N 101 703 02	round hd. screw M 6 X 10		1	
17	N 103 469 04	Hexagon socket head collared bolt (combi) M 6 X 12		1	

Model: 9PA108

Model life 2007>>2010



Model: 9PA108 Model life 2007>>2010

Pos	Part Number	Description	Remark	Qty	Model
1	955 105 141 10	Engine cover Cover Ignition coil Cylinders 1 - 4 silver D >> - MJ 2008		1	4801,4851, 5501 4801,4851
(1)	955 105 141 10	Cover Ignition coil Cylinders 1 - 4 silver D - MJ 2008>> - MJ 2008		1	4851+ PR:E81
(1)	955 105 141 11	Cover Ignition coil Cylinders 1 - 4 Black D - MJ 2009>>		1	4801,4851
(1)	955 105 141 10	Cover Ignition coil Cylinders 1 - 4 silver D - MJ 2009>>		1	4851+ PR:E81,E8A
2	955 105 142 10	Cover Ignition coil Cylinders 5 - 8 silver D >> - MJ 2008		1	4801,4851
(2)	955 105 142 10	Cover Ignition coil Cylinders 5 - 8 silver D - MJ 2008>> - MJ 2008		1	4851+ PR:E81
(2)	955 105 142 11	Cover Ignition coil Cylinders 5 - 8 Black D - MJ 2009>>		1	4801,4851
(2)	955 105 142 10	Cover Ignition coil Cylinders 5 - 8 silver D - MJ 2009>>		1	4851+ PR:E81,E8A
3	955 110 638 00	Grommet		8	4801,4851
4	955 110 825 00	Sleeve		8	4801,4851
5	955 105 255 00	Torx screw M 5 X 16 D >> - MJ 2008		8	4801,4851
(5)	WHT 003 425	Torx screw M 5 X 16 D - MJ 2009>>		8	4801,4851
6	955 110 213 20	Engine cover silver D >> - MJ 2008		1	4801,4851
(6)	955 110 213 21	Engine cover Black D - MJ 2009>>		1	4801,4851
(6)	955 110 213 50	Engine cover D - MJ 2008>> - MJ 2008		1	4851+ PR:E81
(6)	955 110 213 50	Engine cover D - MJ 2009>>		1	4851+ PR:E81,E8A
7	955 110 213 30	Engine cover No longer use the part here		1	5501

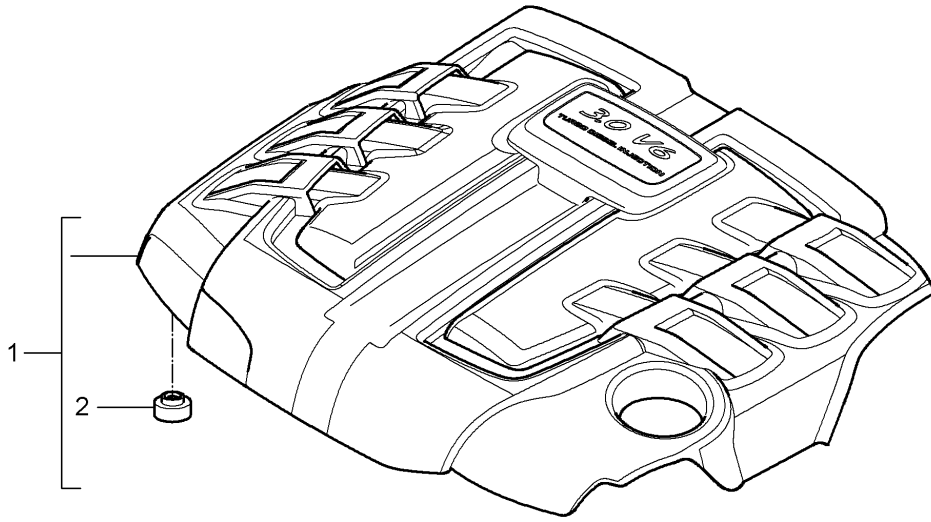
Model: 9PA108

Model life 2007>>2010

Pos	Part Number	Description	Remark	Qty	Model
(7)	955 110 213 31	Engine cover silver D >> - MJ 2008		1	5501
(7)	955 110 213 32	Engine cover Black D - MJ 2009>>		1	5501
8	955 110 236 10	ball socket		2	4801,4851
(8)	955 110 236 10	ball socket		5	5501

Model: 9PA108

Model life 2007>>2010



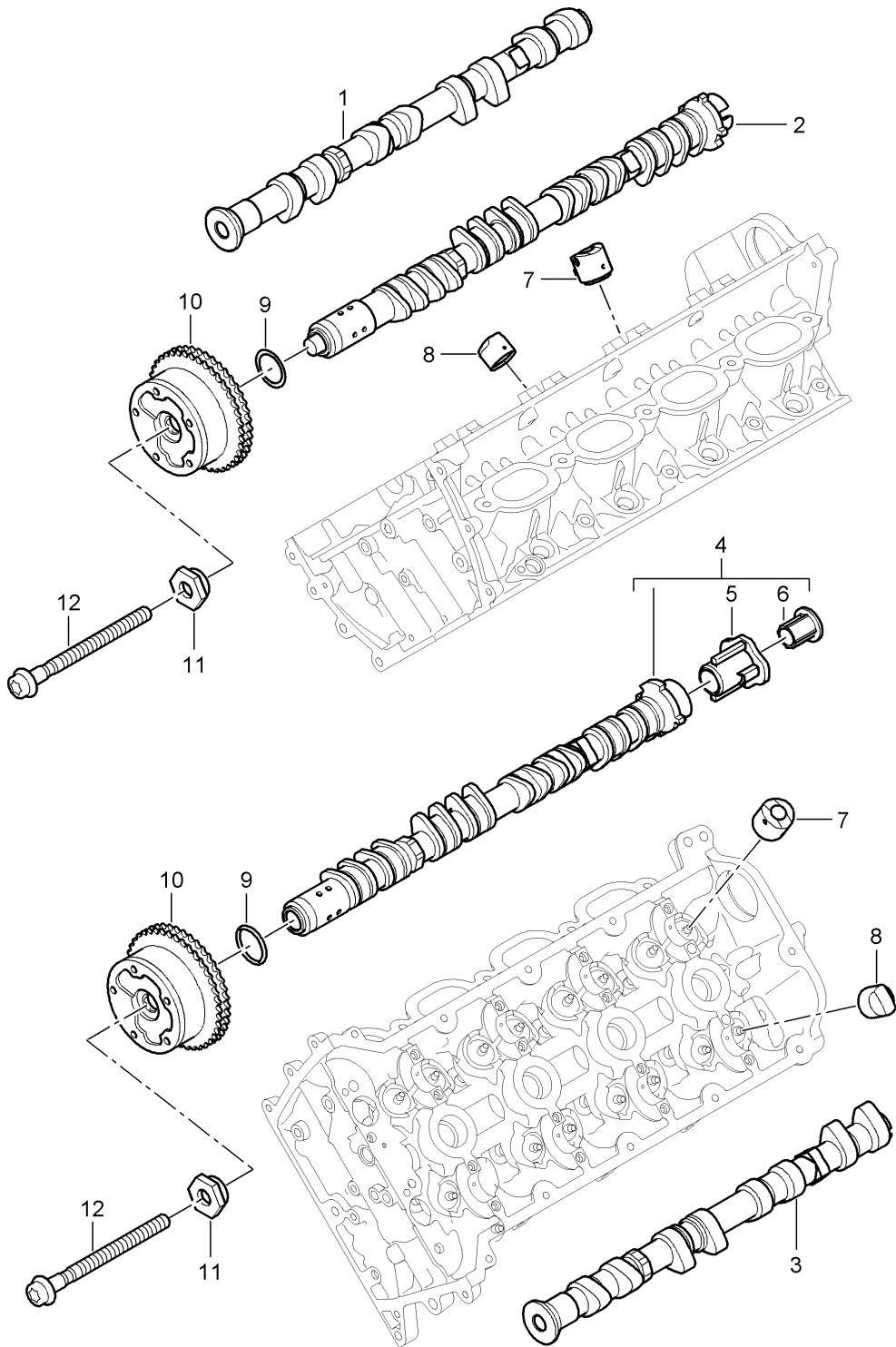
Model: 9PA108

Model life 2007>>2010

Pos	Part Number	Description	Remark	Qty	Model
1	955 110 213 40	Engine cover		1	059D
2	955 110 236 20	Engine cover ball socket		4	

Model: 9PA108

Model life 2007>>2010



Model: 9PA108 Model life 2007>>2010

Pos	Part Number	Description	Remark	Qty	Model
1	948 105 242 03	Camshaft Camshaft Exhaust Cylinders 1 - 4 M >> 9 05540 M >> G 9 04964 M >> 9 01688 M >> T 9 01787 M >> S 9 00561		1	4801, 4851 4801 4801, E0W 4851 4851, E8A 4851, E81
(1)	948 105 242 20	Camshaft Exhaust Cylinders 1 - 4 M 9 05541 >> M G 9 04965 >> M 9 01689 >> M T 9 01788 >> M S 9 00562 >> Discontinued part		1	4801 4801, E0W 4851 4851, E8A 4851, E81
(1)	948 105 242 21	Camshaft Exhaust Cylinders 1 - 4 M 9 05541 >> M G 9 04965 >> M 9 01689 >> M T 9 01788 >> M S 9 00562 >>		1	4801 4801, E0W 4851 4851, E8A 4851, E81
2	948 105 041 03	Camshaft Intake Cylinders 1 - 4 M >> 9 05540 M >> G 9 04964		1	4801
(2)	948 105 041 04	Camshaft Intake Cylinders 1 - 4 M 9 05541 >> M G 9 04965 >>		1	4801
(2)	948 105 041 53	Camshaft Intake Cylinders 1 - 4 M >> 9 01688 M >> T 9 01787 M >> S 9 00561		1	4851
(2)	948 105 041 54	Camshaft Intake Cylinders 1 - 4 M 9 01689 >> M T 9 01788 >> M S 9 00562 >>		1	4851
3	948 105 244 03	Camshaft Exhaust Cylinders 5 - 8 M >> 9 05540 M >> G 9 04964 M >> 9 01688 M >> T 9 01787 M >> S 9 00561		1	4801 4801, E0W 4851 4851, E8A 4851, E81
(3)	948 105 244 20	Camshaft Exhaust Cylinders 5 - 8 M 9 05541 >> M G 9 04965 >> M 9 01689 >> M T 9 01788 >>		1	4801 4801, E0W 4851 4851, E8A

Model: 9PA108 Model life 2007>>2010

Pos	Part Number	Description	Remark	Qty	Model
(3)	948 105 244 21	M S 9 00562 >> Discontinued part Camshaft Exhaust Cylinders 5 - 8 M 9 05541 >> M G 9 04965 >> M 9 01689 >> M T 9 01788 >> M S 9 00562 >>		1	4851, E81 4801 4801, E0W 4851 4851, E8A 4851, E81
4	948 105 043 03	Camshaft Intake Cylinders 5 - 8 M >> 9 05540 M >> G 9 04964		1	4801
(4)	948 105 043 04	Camshaft Intake Cylinders 5 - 8 Discontinued part		1	4801
(4)	948 105 043 05	Camshaft Intake Cylinders 5 - 8		1	4801
(4)	948 105 043 53	Camshaft Intake Cylinders 5 - 8 M >> 9 01688 M >> T 9 01787 M >> S 9 00561		1	4851
(4)	948 105 043 54	Camshaft Intake Cylinders 5 - 8 Discontinued part		1	4851
(4)	948 105 043 55	Camshaft Intake Cylinders 5 - 8		1	4851
5	948 105 113 01	Coupling high pressure pump Discontinued part		1	
(5)	948 105 113 02	Coupling high pressure pump		1	
6	948 105 114 00	Bungs Coupling high pressure pump		1	
7	948 105 070 04	Hydraulic tappet Intake Discontinued part		16	
(7)	948 105 070 05	Hydraulic tappet Intake Discontinued part		16	
(7)	9A1 105 070 03	Hydraulic tappet Intake Discontinued part		16	
(7)	9A1 105 070 04	Hydraulic tappet Intake Discontinued part		16	
8	948 105 071 02	Hydraulic tappet Exhaust Discontinued part		16	
(8)	948 105 071 03	Hydraulic tappet Exhaust Discontinued part		16	
(8)	9A1 105 071 00	Hydraulic tappet Exhaust Discontinued part		16	
9	996 105 203 00	Washer		2	

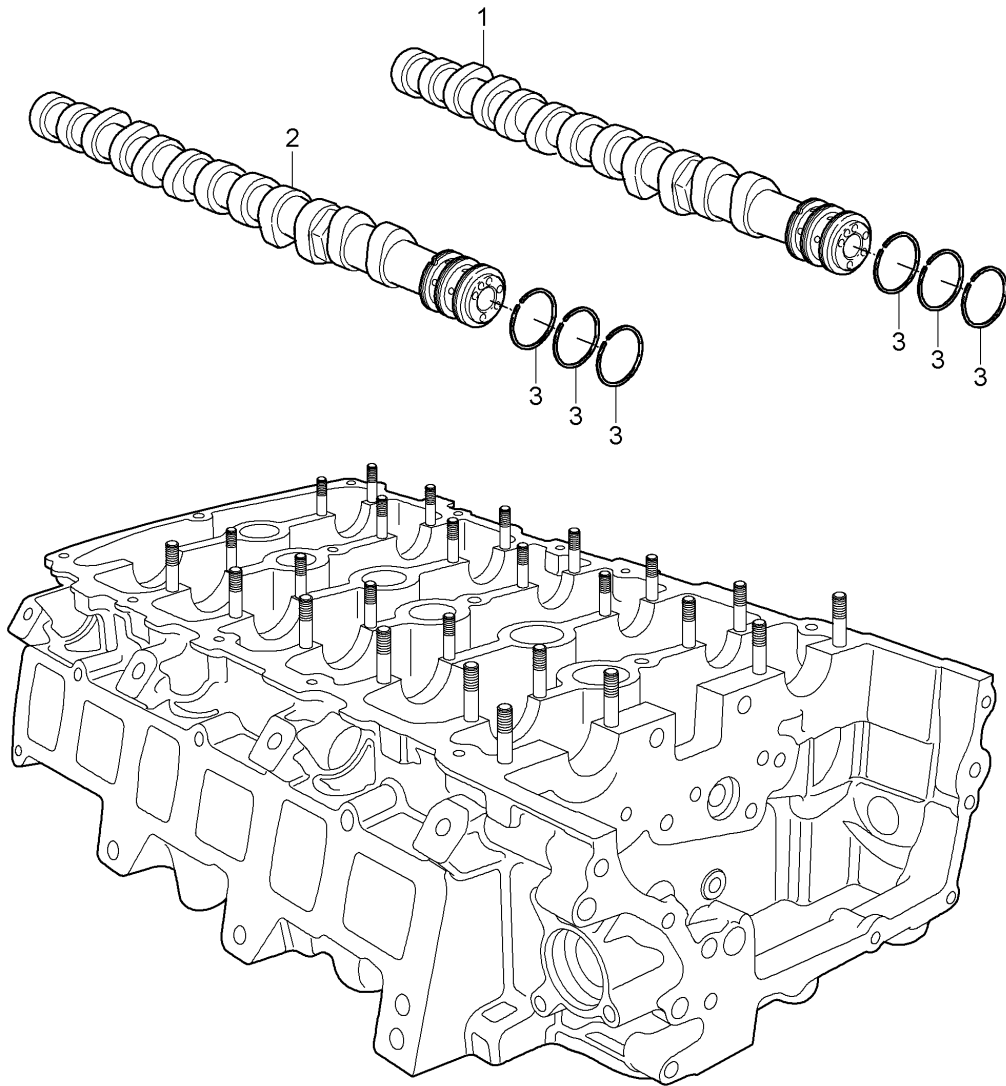
Model: 9PA108

Model life 2007>>2010

Pos	Part Number	Description	Remark	Qty	Model
10	948 105 051 13	camshaft adjuster unit Discontinued part		2	
(10)	948 105 051 14	camshaft adjuster unit		2	
11	948 105 218 01	Sleeve		2	
		M >> A 08634			4801
		M >> T A 02603			4851
(11)	9A1 105 245 00	Sleeve		2	
		M A 08635 >>			4801
		M T A 02604 >>			4851
12	948 104 181 01	Screw		2	
		M 12 X 1,5 X 140			
		M >> 9 05540			4801
		M >> G 9 04964			4801, E0W
		M >> 9 01688			4851
		M >> T 9 01787			4851, E8A
		M >> S 9 00561			4851, E81
(12)	948 105 254 00	Outer hexagon round screw		2	
		M 12 X 1,5 X 110			
		M 9 05541 >>			4801
		M G 9 04965 >>			4801, E0W
		M 9 01689 >>			4851
		M T 9 01788 >>			4851, E8A
		M S 9 00562 >>			4851, E81

Model: 9PA108

Model life 2007>>2010



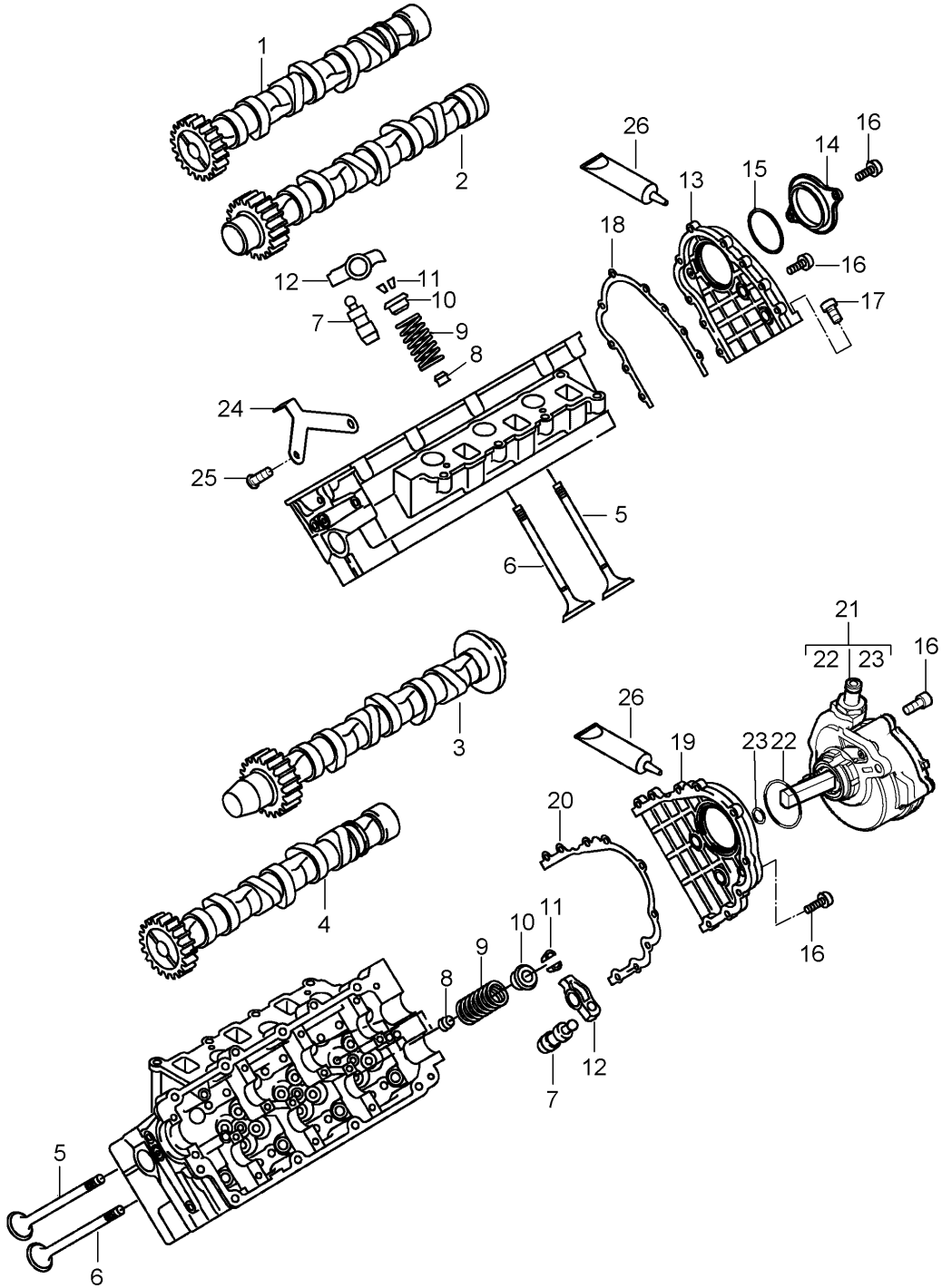
Model: 9PA108

Model life 2007>>2010

Pos	Part Number	Description	Remark	Qty	Model
1	955 105 242 00	Camshaft Camshaft Exhaust M >> 639 10538 M >> 639 10017 Discontinued part		1	5501
(1)	955 105 242 01	Camshaft Exhaust M 639 10539 >> M 639 10018 >>		1	
2	955 105 241 00	Camshaft Intake M >> 639 10538 M >> 639 10017 Discontinued part		1	
(2)	955 105 241 01	Camshaft Intake M 639 10539 >> M 639 10018 >>		1	
3	955 105 345 01	seal ring 40 X 1,5 Discontinued part		6	
(3)	955 105 345 00	seal ring 40 X 1,5		6	

Model: 9PA108

Model life 2007>>2010



Model: 9PA108 Model life 2007>>2010

Pos	Part Number	Description	Remark	Qty	Model
		Camshaft Valves Vacuum pump			059D
1	955 105 041 00	Camshaft Intake Cyl. 1 - 3		1	
2	955 105 242 10	Camshaft Exhaust Cyl. 1 - 3		1	
3	955 105 043 00	Camshaft Intake Cyl. 4 - 6		1	
4	955 105 244 10	Camshaft Exhaust Cyl. 4 - 6		1	
5	955 105 601 20	Inlet valve		12	
6	955 105 312 20	exhaust valve		12	
7	955 105 423 10	Differential housing Hydraulic Discontinued part		24	
(7)	958 105 423 10	Differential housing Hydraulic		24	
8	955 105 115 10	Valve stem seal 6 MM		24	
-	955 105 501 00	Sleeve for Repair Valve stem seal 6 X 20	also use: 955 105 501 00	x	
9	955 105 119 10	Valve spring		24	
10	955 105 641 10	spring disc	upper	24	
11	955 105 651 20	cotter, split		48	
12	955 105 417 20	cam lever		24	
13	955 105 130 00	Cover Cyl. 1 - 3		1	
14	955 105 153 00	End cap Cyl. 1 - 3		1	
15	WHT 001 801	O-ring 63 X 2,5		1	
16	N 101 243 06	Oval hexagon socket head bolt M 6 X 20		22	
17	N 101 562 06	Oval hexagon socket head bolt M 6 X 30		4	
18	955 105 292 00	Seal Cyl. 1 - 3		1	
19	955 105 129 00	Cover Cyl. 4 - 6		1	
20	955 105 291 00	Seal Cyl. 4 - 6		1	
21	955 110 050 10	Vacuum pump Discontinued part		1	
(21)	955 110 050 11	Vacuum pump		1	
22	WHT 001 801	O-ring 63 X 2,5		1	
23	955 110 117 00	O-ring 4,7 X 1,5		1	
24	955 110 764 00	Bracket		1	
25	N 104 056 04	Oval hexagon socket head bolt M 6 X 14		2	
26	000 043 207 49	sealant 1 tube 80 ML		x	

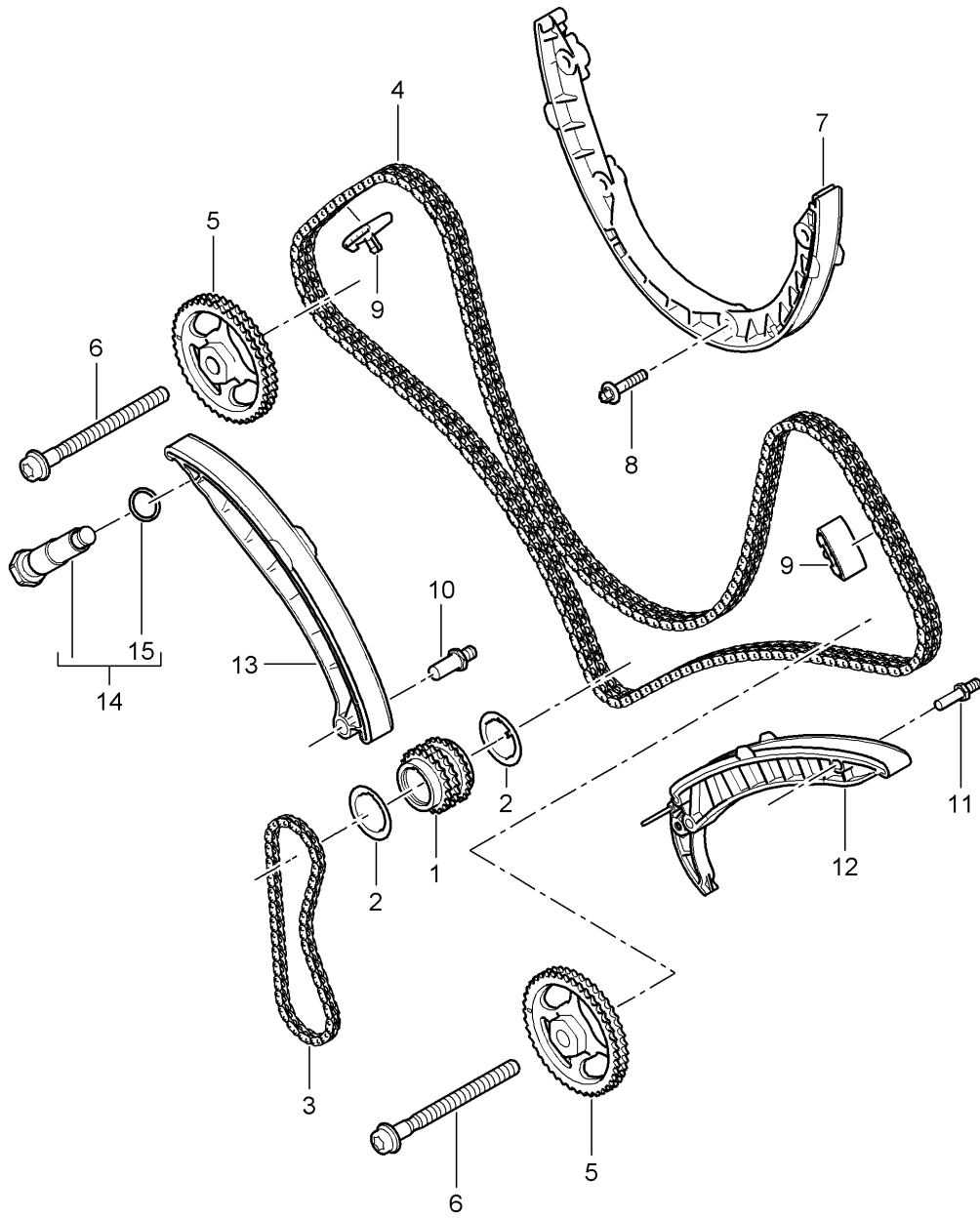
Model: 9PA108

Model life 2007>>2010

Pos	Part Number	Description	Remark	Qty	Model
(26)	958 101 902 00	Discontinued part sealant 80 ML		X	

Model: 9PA108

Model life 2007>>2010

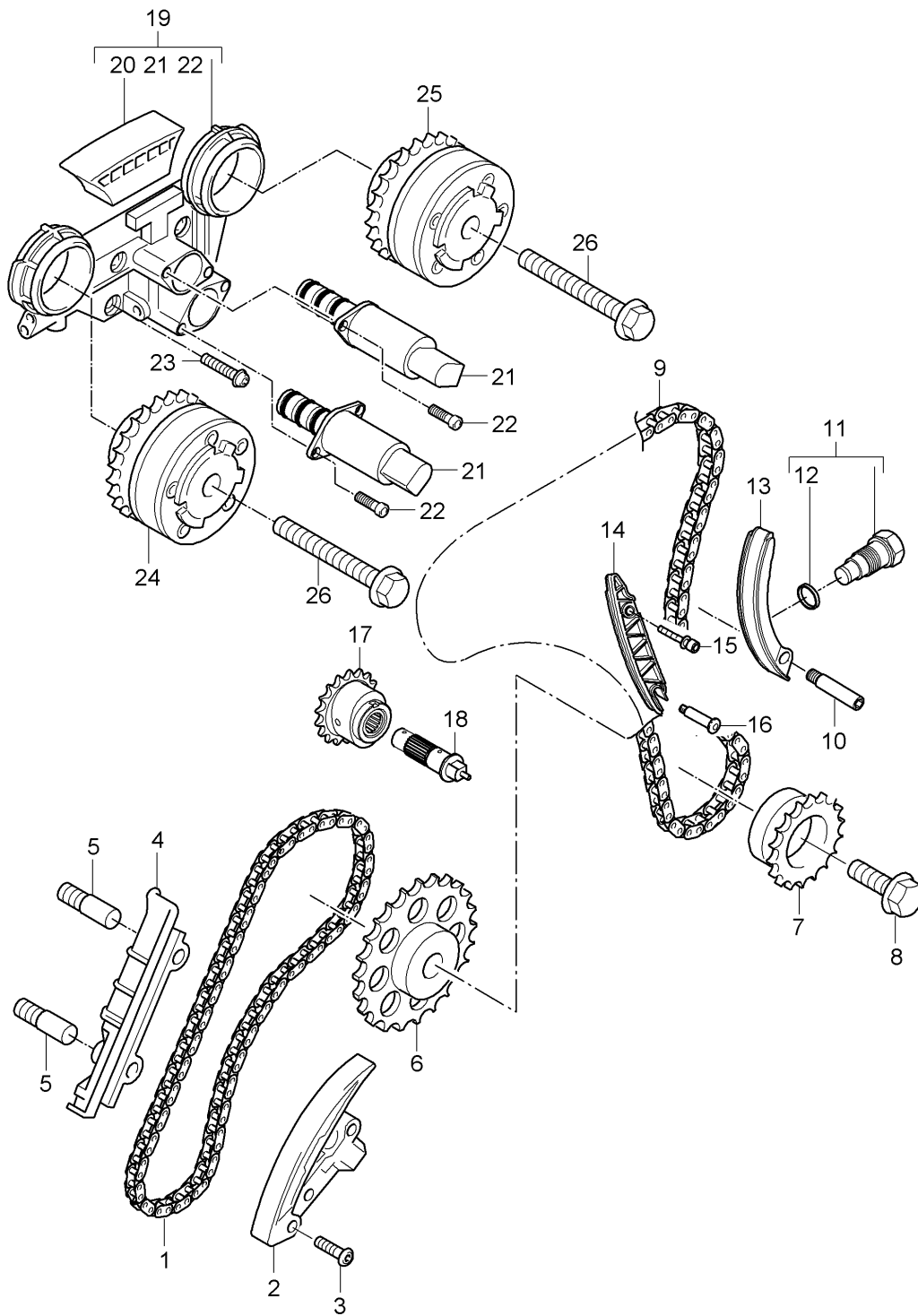


Model: 9PA108 Model life 2007>>2010

Pos	Part Number	Description	Remark	Qty	Model
1	948 102 231 11	Valve control Chain sprocket		1	4801, 4851
2	948 102 230 00	Crankshaft Shim		2	
3		Chain oil pump		1	
		see illustration:	104-000		
4	948 105 169 10	Chain		1	
5	948 105 181 11	Chain sprocket Camshaft		2	
6	948 104 181 01	Exhaust Screw M 12 X 1,5 X 140		2	
		M >> 9 05540			4801
		M >> G 9 04964			4801, E0W
		M >> 9 01688			4851
		M >> T 9 01787			4851, E8A
		M >> S 9 00561			4851, E81
(6)	948 105 254 00	Outer hexagon round screw M 12 X 1,5 X 110		2	
		M 9 05541 >>			4801
		M G 9 04965 >>			4801, E0W
		M 9 01689 >>			4851
		M T 9 01788 >>			4851, E8A
		M S 9 00562 >>			4851, E81
7	948 105 023 12	slide rail		1	
8	900 385 042 01	Torx screw BM 8 X 35		4	
9	948 105 166 12	slide rail		2	
10	999 015 022 01	Threaded stud M 10 X 25		1	
11	999 015 021 01	Threaded stud M 8 X 25		2	
12	948 105 068 11	slide rail Camshaft Crankshaft		1	
13	948 105 065 10	Tensioner blade		1	
14	948 105 180 10	chain tensioner M >> 9 05540		1	4801
		M >> G 9 04964			4801, E0W
		M >> 9 01688			4851
		M >> T 9 01787			4851, E8A
		M >> S 9 00561			4851, E81
(14)	948 105 180 11	chain tensioner M 9 05541 >>		1	4801
		M G 9 04965 >>			4801, E0W
		M 9 01689 >>			4851
		M T 9 01788 >>			4851, E8A
		M S 9 00562 >>			4851, E81
15	900 123 118 30	seal ring A 22 X 27		1	

Model: 9PA108

Model life 2007>>2010

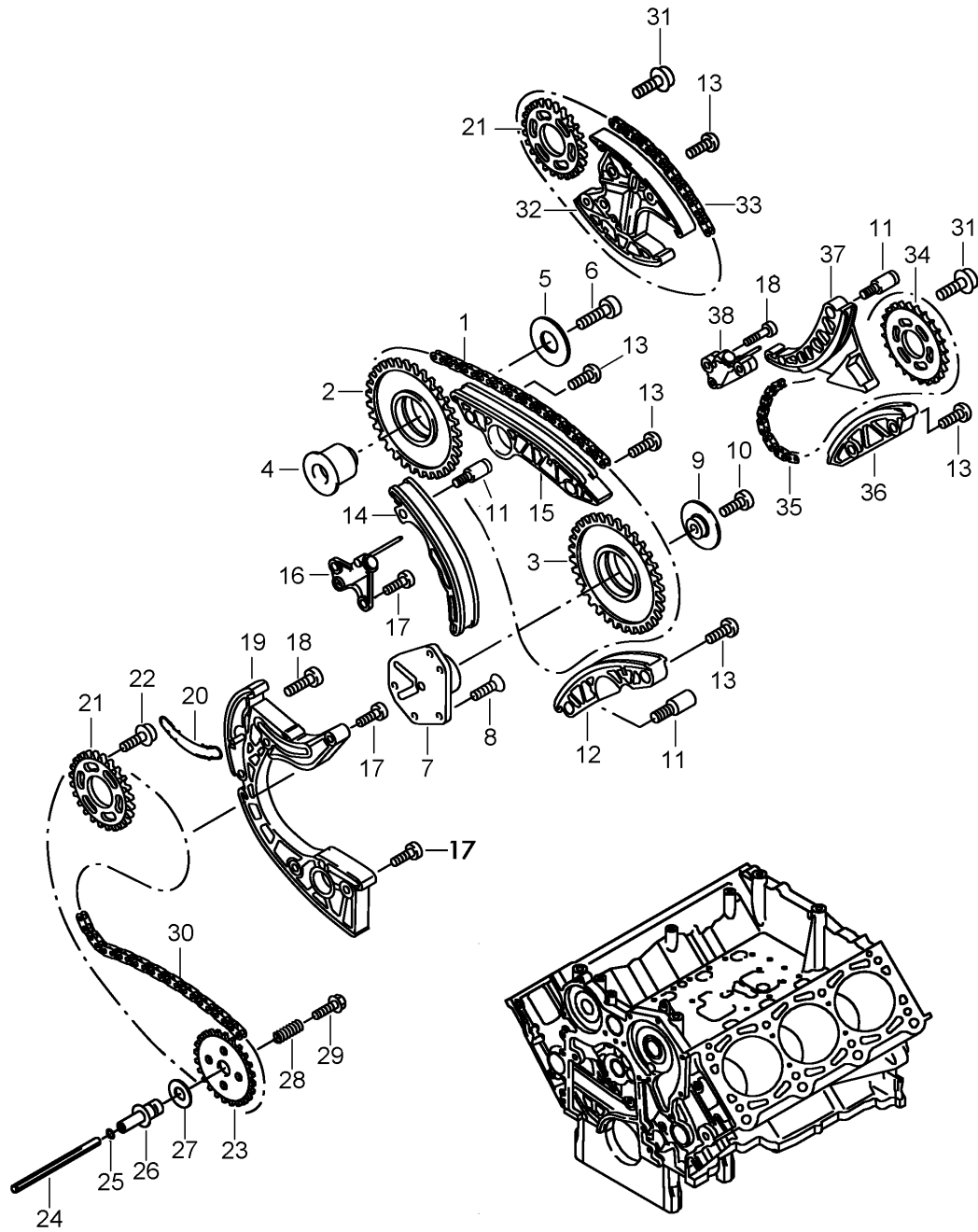


Model: 9PA108 Model life 2007>>2010

Pos	Part Number	Description	Remark	Qty	Model
		Valve control			5501
1	955 105 465 01	timing chain		1	
2	955 105 467 00	chain tensioner		1	
3	N 909 238 01	fillister head bolt with multi-point socket head M 6 X 24		2	
4	955 105 469 00	slide rail		1	
5	955 105 471 00	Pin		2	
6	955 105 221 00	Chain sprocket		1	
7	955 105 570 01	Chain sprocket		1	
8	N 104 044 04	Hexagon bolt M 10 X 40		1	
9	955 105 169 00	timing chain		1	
10	955 105 511 00	Pin		1	
11	955 105 507 02	chain tensioner		1	
12	N 013 827 1	seal ring A 22 X 27		1	
13	955 105 065 00	Tensioner blade Discontinued part		1	
(13)	955 105 065 01	Tensioner blade		1	
14	955 105 066 00	slide rail		1	
15	N 106 139 01	Socket head bolt with inner multipoint head (Kombi) M 8 X 45		2	
16	955 105 515 00	Pin		1	
17	955 105 232 00	Chain sprocket		1	
(17)	955 105 232 01	Chain sprocket No longer use the part here		1	
18	955 105 107 00	Input shaft M >> 638 28868		1	
(18)	955 105 107 01	Input shaft M 638 28869 >>		1	
19	955 105 215 00	Timing chain housing with:		1	
(19)	955 105 215 01	control valve Discontinued part Timing chain housing with:		1	
20	955 105 514 00	control valve slide rail		1	
21	955 105 303 00	control valve Discontinued part		2	
(21)	955 105 303 01	control valve		2	
22	N 904 552 05	fillister hd. bolt M 4 X 10		4	
23	N 909 658 02	Hex socket head bolt (combi) M 6 X 30		4	
24	955 105 051 00	camshaft adjuster unit Intake Discontinued part		1	
(24)	955 105 051 01	camshaft adjuster unit Intake		1	
25	955 105 052 00	camshaft adjuster unit Exhaust Discontinued part		1	
(25)	955 105 052 01	camshaft adjuster unit Exhaust		1	
26	N 911 180 01	Hex collared bolt M 12 X 1,5 X 85		2	

Model: 9PA108

Model life 2007>>2010



Model: 9PA108 Model life 2007>>2010

Pos	Part Number	Description	Remark	Qty	Model
		Valve control			059D
1	955 105 169 10	timing chain		1	
2	955 105 077 00	Chain sprocket		1	
		Z = 19			
3	955 105 077 10	Chain sprocket		1	
		Z = 28			
4	955 105 224 00	bearing pin		1	
5	WHT 000 124	Washer		1	
		18 X 50 X 2,23			
6	N 106 609 01	Socket head bolt with inner multipoint head		1	
		M 10 X 40			
7	955 105 334 00	bearing pin		1	
8	N 909 549 05	Hex socket countersunk bolt		3	
		M 6 X 18			
9	955 105 435 00	thrust washer		1	
10	N 104 514 09	Socket head bolt with hexagon socket head (combination)		1	
		M 6 X 16			
11	WHT 000 265	Socket head bolt with hexagon socket head (combination)		3	
		M 6 X 35			
12	955 105 469 10	Guide rail		1	
13	N 101 562 05	Oval hexagon socket head bolt		8	
		M 6 X 30			
14	955 105 065 10	Guide rail		1	
15	955 105 514 10	Guide rail		1	
16	955 105 567 00	chain tensioner		1	
17	N 101 243 06	Oval hexagon socket head bolt		5	
		M 6 X 20			
18	N 105 540 05	round hd. screw		3	
		M 6 X 35			
19	955 105 507 10	chain tensioner		1	
20	955 105 139 00	Seal		1	
		Discontinued part			
(20)	955 105 139 01	Seal		1	
21	955 105 222 00	Chain sprocket		2	
		Z = 25			
22	N 910 488 02	Screw with int. serrations		3	
		M 8 X 20			
23	955 107 114 00	Chain sprocket		1	
		Z = 25			
		oil pump			
24	955 107 320 00	Input shaft		1	
		oil pump			
25	N 900 154 01	Securing ring		1	
		8			
26	955 105 341 00	Input shaft		1	
		use if required:	955 107 320 00	1	
			N 900 154 01	1	
27	955 105 537 00	thrust washer		1	
28	955 105 481 00	Pressure spring		1	
29	N 908 932 02	fitted bolt, hexagon head		1	
		M 10 X 20			
30	955 105 465 10	timing chain		1	
31	N 910 522 01	Hexagon socket head bolt		10	
		bolt			
		M 8 X 12			
32	955 105 218 00	chain tensioner		1	
33	955 105 229 00	timing chain		1	
34	955 105 223 00	Chain sprocket		1	
		Z = 35			
35	955 105 229 10	timing chain		1	

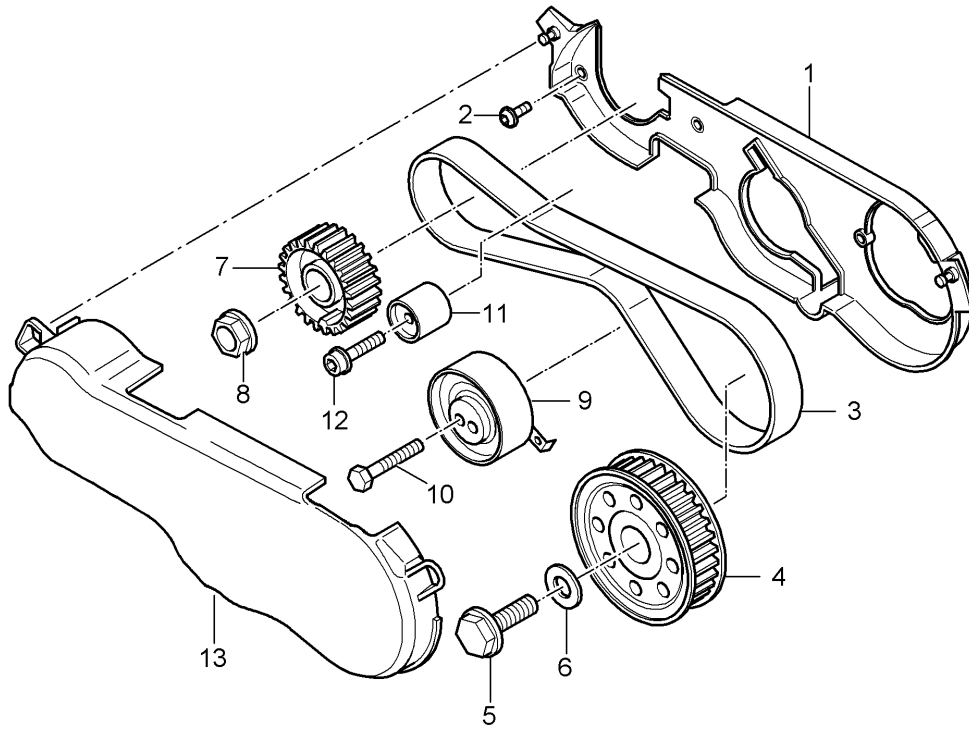
Model: 9PA108

Model life 2007>>2010

Pos	Part Number	Description	Remark	Qty	Model
36	955 105 513 10	slide rail		1	
37	955 105 510 00	Tensioner blade		1	
		Discontinued part			
(37)	955 105 510 01	Tensioner blade		1	
38	955 105 217 00	chain tensioner		1	

Model: 9PA108

Model life 2007>>2010



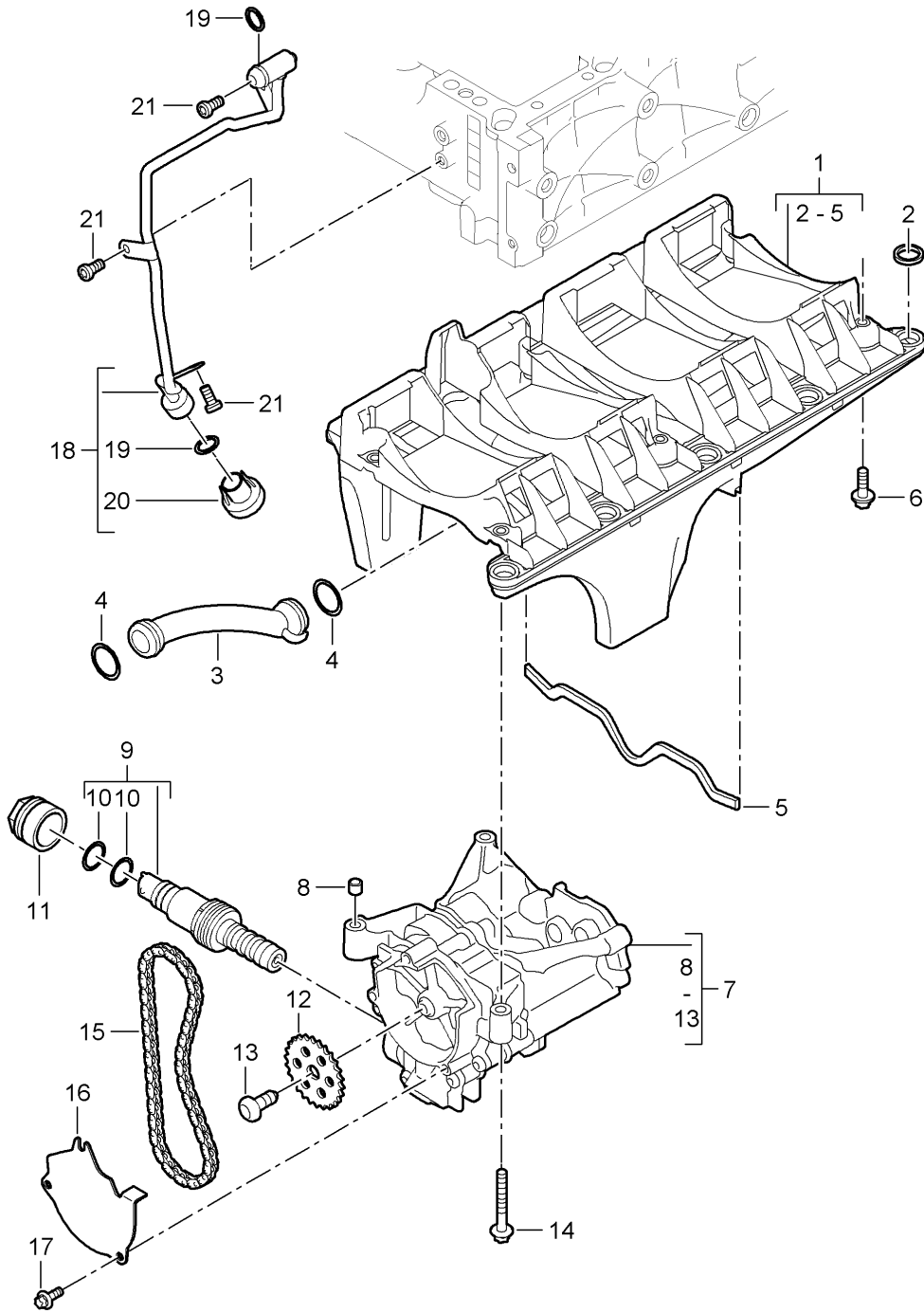
Model: 9PA108

Model life 2007>>2010

Pos	Part Number	Description	Remark	Qty	Model
		toothed belt			059D
		Toothed belt guard			
1	955 105 033 00	Toothed belt covering		1	
2	N 104 514 05	Oval hexagon socket head bolt M 6 X 16		4	
3	955 102 219 00	toothed belt		1	
4	955 105 151 00	toothed belt pulley		1	
5	N 902 562 02	Hexagon bolt M 10 X 1,25 X 30		1	
6	N 909 717 02	Washer 10,5 X 30 X 4		1	
7		toothed belt pulley		1	
8		see illustration:	107-009		
		Hexagon nut		1	
		see illustration:	107-009		
9	955 105 243 00	Tensioning roller		1	
10	N 900 637 06	hexagon head bolt (combi) M 8 X 50		1	
11	955 105 244 00	idler pulley Discontinued part		1	
(11)	955 105 244 01	idler pulley		1	
12	N 910 266 02	Oval head locating bolt with multi-point socket head M 8 X 35		1	
13	955 105 035 00	Toothed belt guard		1	

Model: 9PA108

Model life 2007>>2010



Model: 9PA108 Model life 2007>>2010

Pos	Part Number	Description	Remark	Qty	Model
		Oil return circuit oil pump Breather line			4801,4851
1	948 107 085 01	Oil return circuit Discontinued part		1	
(1)	948 107 085 02	Oil return circuit		1	
2	948 107 286 00	Seal Oil return circuit		9	
3	948 107 285 01	Connector union Intake manifold		1	
4	999 707 496 40	O-ring 23 X 3		2	
5	948 107 287 00	Seal filler plate		1	
6	900 385 019 01	Torx screw BM 6 X 20		6	
7	948 107 013 01	oil pump M >> 838 07293 Discontinued part		1	4801
(7)	948 107 013 02	oil pump M 838 07294 >> Discontinued part		1	4801
(7)	948 107 013 03	oil pump Discontinued part		1	4801
(7)	948 107 013 04	oil pump Discontinued part		1	4801
(7)	948 107 013 05	oil pump		1	4801
(7)	948 107 013 51	oil pump M >> 848 05084 Discontinued part		1	4851
(7)	948 107 013 52	oil pump M 848 05085 >> Discontinued part		1	4851
(7)	948 107 013 53	oil pump Discontinued part		1	4851
(7)	948 107 013 54	oil pump Discontinued part		1	4851
(7)	948 107 013 55	oil pump		1	4851
8	996 106 103 50	dowel sleeve 8,2 X 7		2	
9	948 107 113 01	Solenoid valve Discontinued part		1	
(9)	948 107 113 02	Solenoid valve Discontinued part		1	
(9)	948 107 113 10	Solenoid valve Discontinued part		1	
(9)	948 107 113 11	Solenoid valve		1	
10	999 707 567 40	O-ring 17 X 3		2	
11	999 261 023 01	Union nut M 36 X 1,5 M >> 838 07293 M >> 848 05084		1	
(11)	999 261 024 01	Union nut M 36 X 1,0 M 838 07294 >> M 848 05085 >>		1	
12	948 107 114 00	Chain sprocket Discontinued part		1	
(12)	948 107 114 01	Chain sprocket		1	
13	999 073 380 01	Torx screw M 8 X 22		1	
14	900 385 125 01	Torx screw		3	

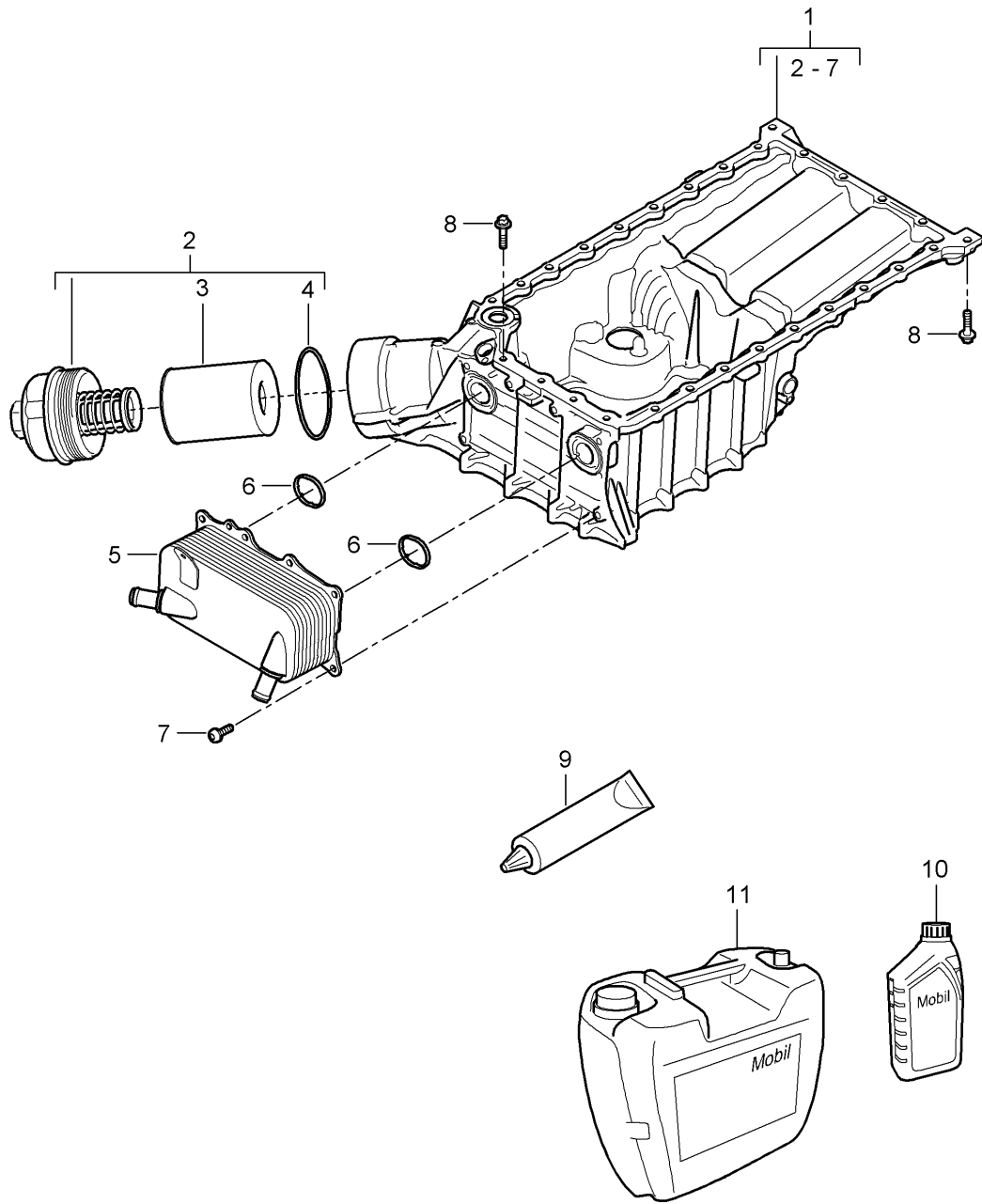
Model: 9PA108

Model life 2007>>2010

Pos	Part Number	Description	Remark	Qty	Model
15	948 107 252 11	BM 6 X 45 Drive chain		1	
(15)	948 107 252 12	Discontinued part Drive chain		1	
16	948 107 254 01	Cover		1	
17	900 385 009 01	Torx screw BM 6 X 16		3	
18	948 105 207 03	Breather line		1	
19	999 707 568 40	O-ring 12 X 3		2	
20	948 105 307 01	Non-return valve		1	
21	999 073 189 01	flat round head bolt M 6 X 12		3	

Model: 9PA108

Model life 2007>>2010



Model: 9PA108 Model life 2007>>2010

Pos	Part Number	Description	Remark	Qty	Model
		Oil-conducting housing oil filter heat exchanger			4801,4851
1	948 107 071 02	Oil-conducting housing		1	4801
(1)	948 107 071 03	Discontinued part Oil-conducting housing		1	4801
		M >> 9 05540 M >> G 9 04964			
(1)	948 107 071 04	Oil-conducting housing		1	4801
		M 9 05541 >> M G 9 04965 >>			
(1)	948 107 071 52	Oil-conducting housing		1	4851
(1)	948 107 071 53	Discontinued part Oil-conducting housing		1	4851
		M >> 9 01688 M >> T 9 01787 M >> S 9 00561			
(1)	948 107 071 54	Oil-conducting housing		1	4851
		M 9 01689 >> M T 9 01788 >> M S 9 00562 >>			
2	948 107 022 00	oil filter		1	
3	948 107 222 00	Oil filter insert		1	
		also use:	948 107 322 00	1	
4	948 107 322 00	seal ring		1	
5	948 107 271 02	heat exchanger		1	
		Discontinued part			
(5)	948 107 271 03	heat exchanger		1	
6	948 107 175 00	Seal		2	
7	999 073 416 01	Bolt with washer	M6X20	6	
8	900 385 072 01	Torx screw	BM6X25	29	
		M >> 9 05540 M >> G 9 04964 M >> 9 01688 M >> T 9 01787 M >> S 9 00561			4801 4801, E0W 4851 4851, E8A 4851, E81
(8)	999 073 905 30	fillister hd. bolt	M6X30 aluminium	29	
		M 9 05541 >> M G 9 04965 >> M 9 01689 >> M T 9 01788 >> M S 9 00562 >>			4801 4801, E0W 4851 4851, E8A 4851, E81
(8)	999 073 905 31	discontinued part fillister hd. bolt	M6X30PA aluminium	29	
9	000 043 204 58	sealant 1 tube 30 GR.		X	4801,4851+ PR:E0W,E8A, E81
		discontinued part			
9	000 043 305 47	sealant 1 tube 30 GR.		X	4801,4851+ PR:E0W,E8A, E81
		No longer use the part here			
(9)	999 915 573 43	sealant 1 tube	75 ml	X	4801,4851+ PR:E0W,E8A, E81
		discontinued part			
(9)	000 043 305 33	sealant 1 tube	75 ml	X	4801,4851+ PR:E0W,E8A, E81
10	000 043 301 19	engine oil EXXON MOBIL 1 0W-40	1.0 Ltr.	X	
		discontinued part			
(10)	000 043 305 21	engine oil	1.0 Ltr.	X	

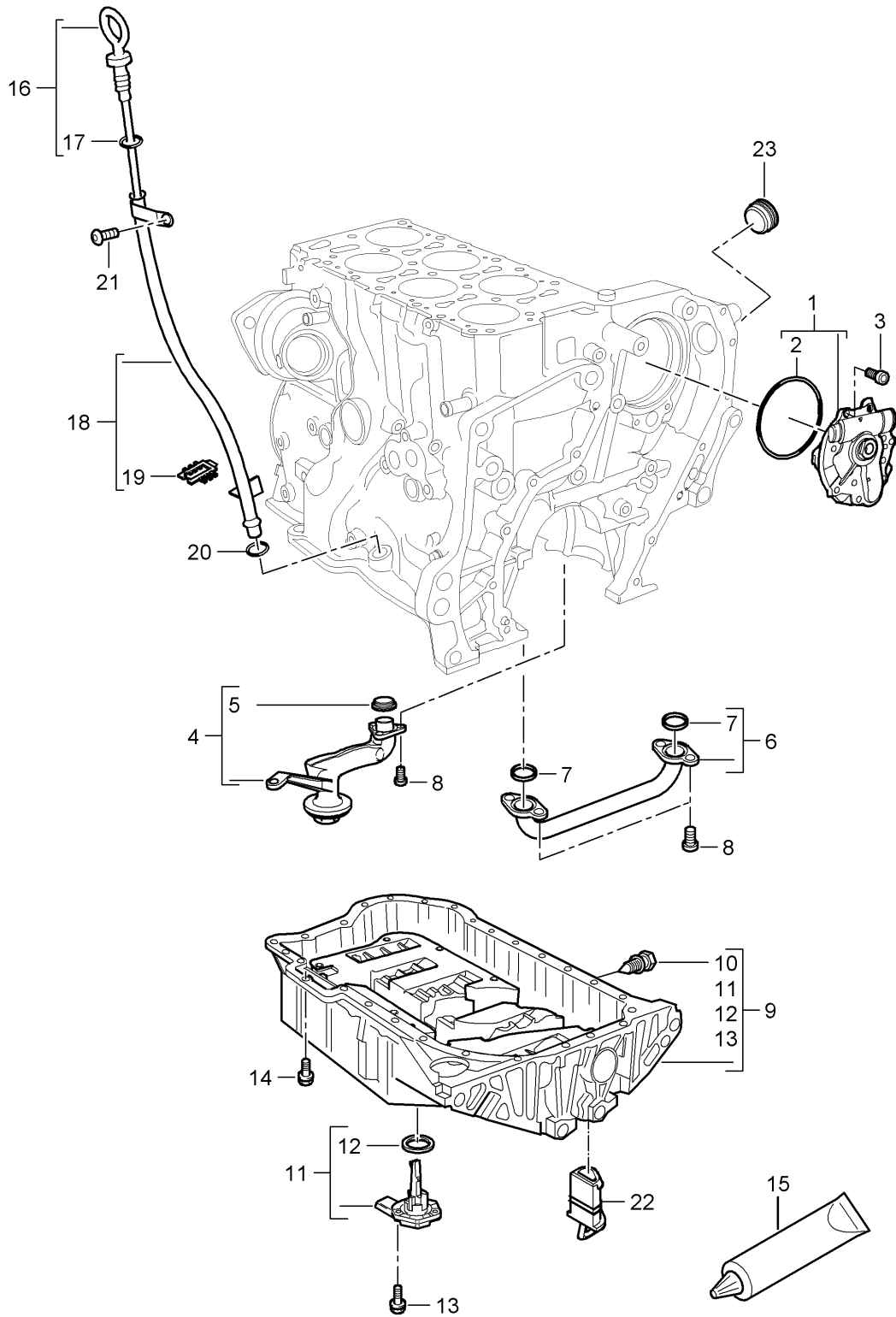
Model: 9PA108

Model life 2007>>2010

Pos	Part Number	Description	Remark	Qty	Model
11	000 043 301 21	EXXON MOBIL 1 0W-40 engine oil EXXON MOBIL 1 0W-40	20ltr.	X	

Model: 9PA108

Model life 2007>>2010

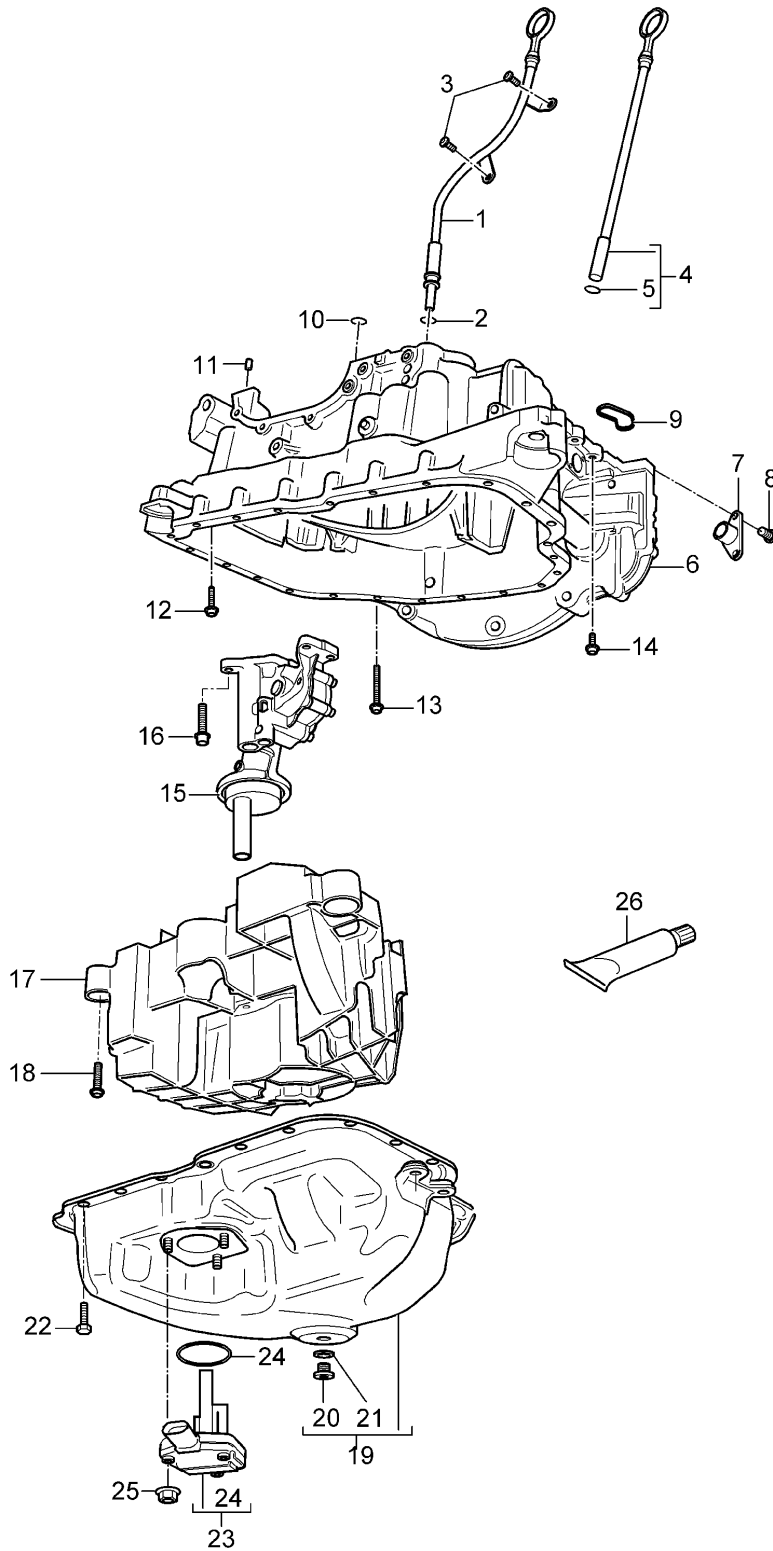


Model: 9PA108 Model life 2007>>2010

Pos	Part Number	Description	Remark	Qty	Model
		oil pump Suction tube Oil dipstick oil sump oil pump Discontinued part		1	5501
1	955 107 013 00	oil pump		1	
(1)	955 107 013 01	oil pump		1	
2	WHT 002 780	O-ring 82,22 X 2,62		1	
3	N 102 278 01	Socket head bolt with hexagon socket head (combination) M 6 X 20		6	
4	955 107 030 00	Intake manifold		1	
5	955 107 567 00	seal ring		1	
6	955 107 031 00	oil pipe		1	
7	955 107 444 00	seal ring		2	
8	N 100 292 05	Oval hexagon socket head bolt M 6 X 15		8	
9	955 107 055 01	oil sump		1	
		with:			
10	N 911 014 01	oil level sensor Seal bolt with sealing ring	M14X1,5X22	1	
11	948 606 140 00	oil level sensor		1	
12	948 606 240 00	Seal		1	
13	N 104 720 03	Socket head bolt with inner multipoint head M 6 X 28		3	
14	N 106 211 01	Socket head bolt with hexagon socket head (combination) M 6 X 20		25	
15	000 043 300 39	sealant 1 tube 50 ml. for oil sump		X	
16	955 107 068 00	Oil dipstick		1	
17	N 908 138 02	O-ring 5 X 1,9		1	
18	955 107 066 00	guide tube		1	
19	955 612 530 00	bracket for connector housing		1	
20	N 900 672 02	O-ring 9,5 X 2,5		1	
21	N 909 899 01	Oval socket head bolt with hex drive K 6 X 18		1	
22	955 101 731 00	Cover cap Seal		3	
23	WHT 000 914	Engine and transmission sealing plug M 36 X 1,5		1	

Model: 9PA108

Model life 2007>>2010

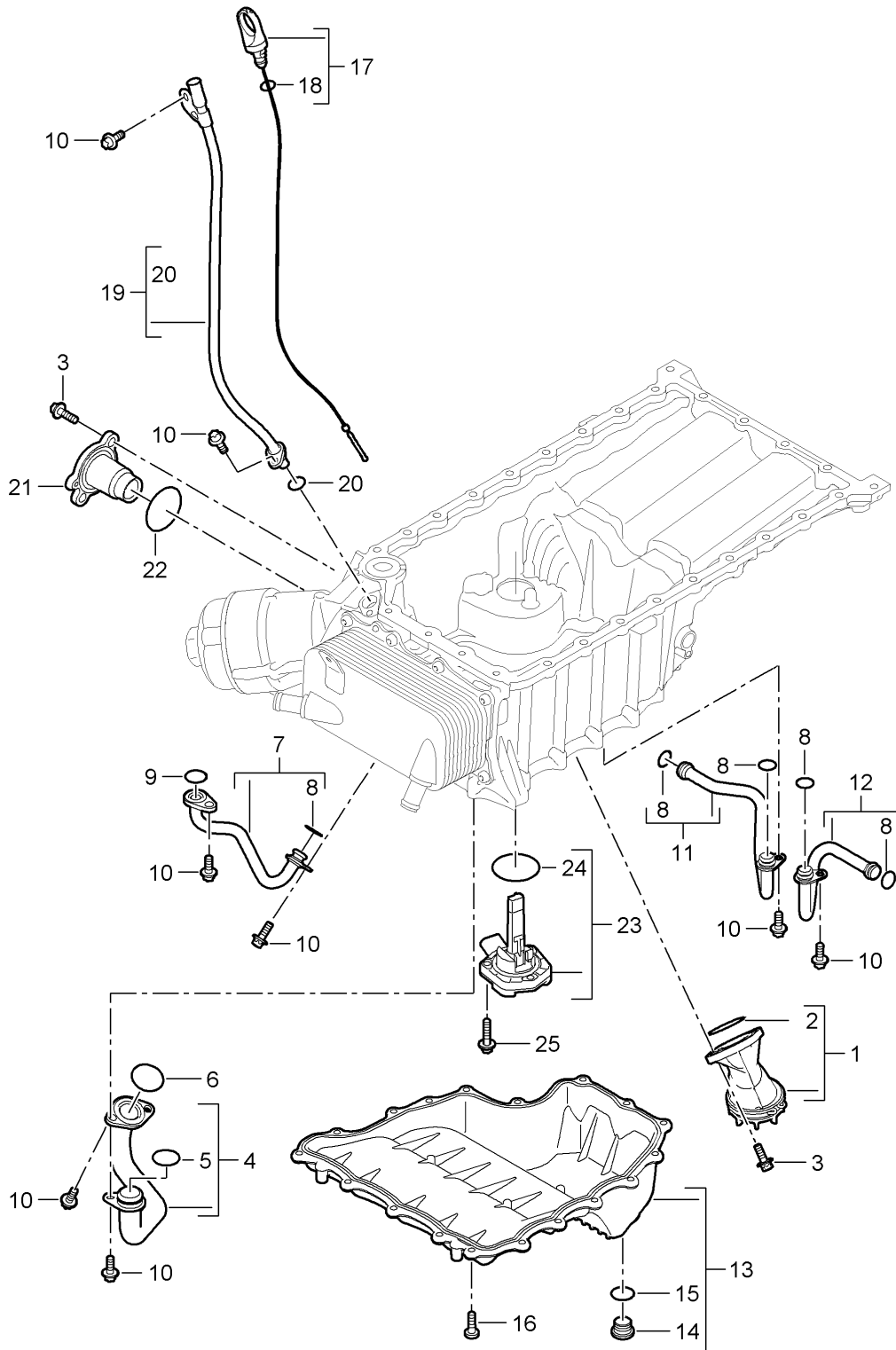


Model: 9PA108 Model life 2007>>2010

Pos	Part Number	Description	Remark	Qty	Model
		Oil dipstick Oil-conducting housing oil pump oil sump guide tube			059D
1	955 107 066 10			1	
			also use: 955 107 427 00	1	
2	955 107 427 00	O-ring 12 X 2		1	
3	N 104 056 04	Oval hexagon socket head bolt M 6 X 14		2	
4	955 107 068 10	Oil dipstick		1	
5	N 908 138 02	O-ring 5 X 1,9		1	
6	955 107 071 00	Oil-conducting housing		1	
7	955 105 361 00	Carrier plate		1	
8	N 907 809 04	Oval hexagon socket head bolt M 6 X 16		2	
9	955 107 609 00	Seal		1	
10	955 107 609 10	Seal		1	
11	955 102 277 00	spring pin 6,2 X 22		6	
12	N 908 539 03	Socket head bolt with inner multipoint head M 7 X 50		8	
13	N 910 094 02	Socket head bolt with inner multipoint head M 7 X 105 X 39		3	
14	N 908 538 02	Socket head bolt with inner multipoint head M 7 X 20		3	
15	955 107 013 10	oil pump		1	
16	N 106 128 01	Hexagon socket head bolt M 8 X 30		3	
17	955 107 138 00	Insert for oil sump		1	
18	N 910 717 01	Hexagon socket flat head bolt M 6 X 25		4	
19	955 107 055 10	oil sump		1	
20	N 016 027 6	sealing plug M 14 X 1,5		1	
21	N 013 815 7	seal ring 14 X 20		1	
22	N 010 217 25	Hexagon bolt M 6 X 20		23	
23	948 606 150 00	oil level sender		1	
24	948 606 240 00	Seal		1	
25	N 015 082 13	Hexagon collar nut M 6		3	
26	N 013 832 6	seal ring 18 X 22		1	
27	N 016 029 3	sealing plug M 18 X 1,5		1	
28	000 043 207 49	sealant 1 tube 80 ML		X	
(28)	958 101 902 00	Discontinued part sealant 80 ML		X	

Model: 9PA108

Model life 2007>>2010



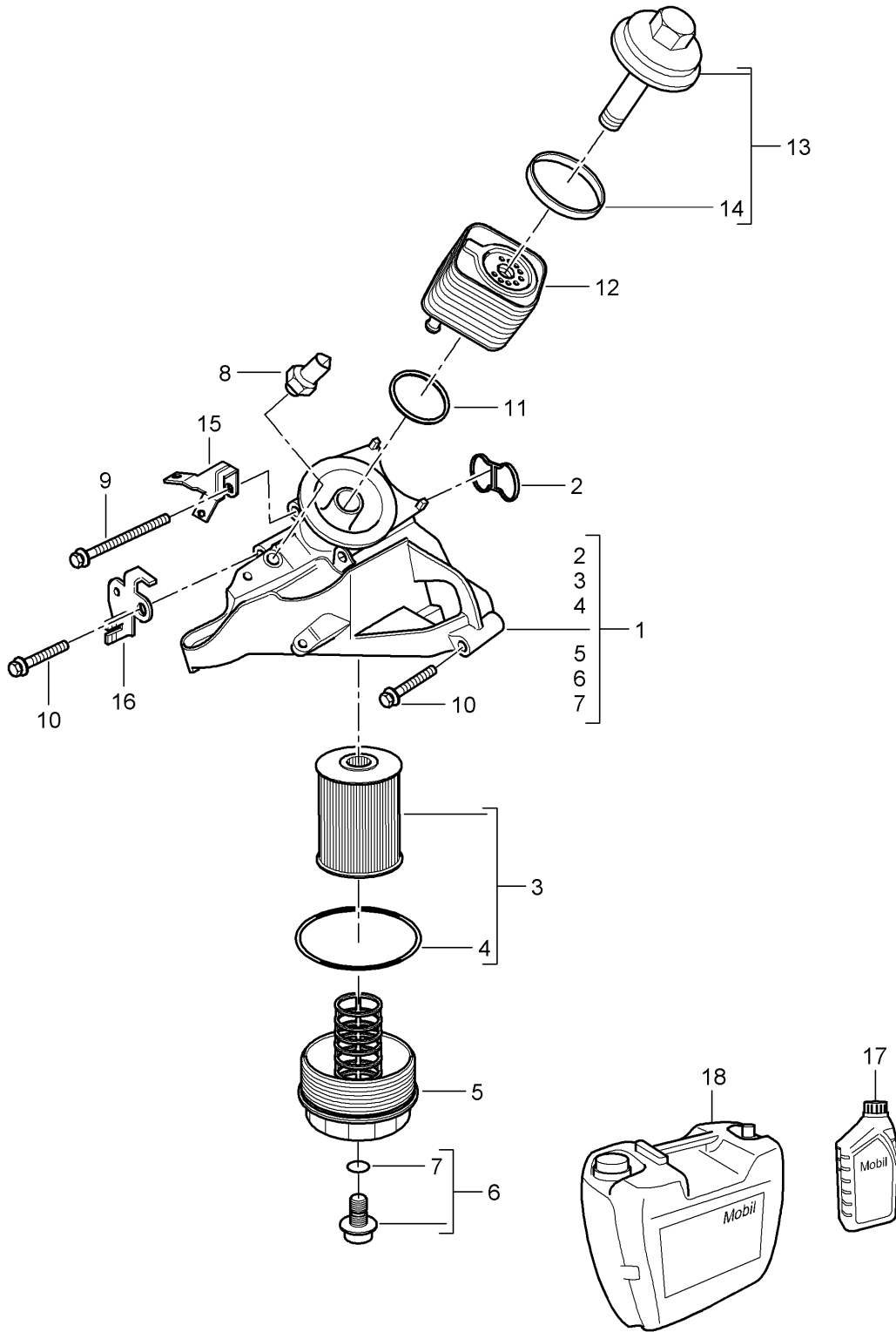
Model: 9PA108

Model life 2007>>2010

Pos	Part Number	Description	Remark	Qty	Model
		Suction tube			4801,4851
		Oil dipstick			
		oil sump			
1	948 107 030 01	Intake manifold		1	
		Discontinued part			
(1)	948 107 030 02	Intake manifold		1	
2	999 707 530 40	O-ring		1	
		34,52 X 3,53			
3	900 385 019 01	Torx screw		4	
		M 6 X 20			
4	948 107 031 01	oil pipe		1	
5	999 707 585 40	O-ring		1	
		22 X 3			
6	999 707 547 40	O-ring		1	
		28 X 3			
7	948 107 033 01	Oil pipe		1	
8	999 707 603 40	O-ring		1	4801
		10 X 3			
(8)	999 707 603 40	O-ring		5	4851
		10 X 3			
9	999 707 567 40	O-ring		1	
		17 X 3			
10	900 385 009 01	Torx screw		7	4801
		M 6 X 16			
(10)	900 385 009 01	Torx screw		9	4851
		M 6 X 16			
11	948 107 037 51	Oil pipe		1	4851
		Exhaust gas turbocharger			
		Cylinders 1 - 4			
12	948 107 038 51	Oil pipe		1	4851
		Exhaust gas turbocharger			
		Cylinders 5 - 8			
13	948 107 055 01	oil sump		1	
14	900 219 020 31	sealing plug		1	
		M 18 X 1,5			
15	900 123 106 30	seal ring		1	
		A 18 X 24			
16	999 073 195 01	flat round head bolt		18	
		M 6 X 20			
		Discontinued part			
(16)	999 073 344 01	flat round head bolt		18	
		M 6 X 20			
17	948 107 068 01	Oil dipstick		1	
18	999 707 402 40	O-ring		1	
		8,0 X 2,0			
19	948 107 066 01	guide tube		1	
20	999 707 360 40	O-ring		1	
		11,2 X 2,65			
21	948 107 313 01	flange		1	
		Discontinued part			
(21)	948 107 313 02	flange		1	
		Discontinued part			
(21)	948 107 313 20	flange		1	
22	999 707 570 40	O-ring		1	
		44,0 X 3,0			
23	948 606 150 00	oil level sender		1	
24	948 606 240 00	Seal		1	
25	900 385 072 01	Torx screw		3	
		BM 6 X 25			

Model: 9PA108

Model life 2007>>2010



Model: 9PA108 Model life 2007>>2010

Pos	Part Number	Description	Remark	Qty	Model
1	955 107 403 01	oil filter Console Oil cooler Console with:		1	5501
(1)	955 107 403 02	oil filter Discontinued part Console with:		1	
2	955 107 111 00	oil filter Seal		1	
3	955 107 561 00	filter element with gasket		1	
4	955 107 313 00	seal ring		1	
5	955 107 433 00	housing filter element Discontinued part		1	
(5)	955 107 433 01	housing filter element		1	
6	955 107 434 00	Seal bolt with sealing ring Discontinued part		1	
(6)	WHT 000 897 A	Seal bolt with sealing ring		1	
7	N 904 054 02	O-ring 11 X 2,5		1	
8	955 606 091 01	Oil pressure switch Discontinued part		1	
(8)	955 606 091 02	Oil pressure switch		1	
-	N 013 811 5	seal ring 10 X 13,5 for Oil pressure switch		1	
9	N 100 362 03	hexagon head bolt (combi) M 8 X 105		3	
10	N 902 120 04	hexagon head bolt (combi) M 8 X 65		2	
11	955 107 070 01	seal ring		1	
12	955 107 021 00	Oil cooler No longer use the part here		1	
(12)	955 107 021 01	Oil cooler Discontinued part		1	
(12)	955 107 021 02	Oil cooler Discontinued part		1	
(12)	955 107 021 03	Oil cooler		1	
13	955 107 061 01	Cover with:		1	
14	955 107 172 00	Seal gasket for oil cooler		1	
15	955 607 208 30	Bracket		1	
16	955 607 208 40	Bracket		1	
17	000 043 301 16	engine oil EXXON MOBIL 1 ESP FORMULA 5W-30 1 LITER Container		X	- "CN. "
(17)	000 043 301 19	engine oil EXXON MOBIL 1 0W-40 1 LITER Container		X	"CN. "
18	000 043 301 17	engine oil EXXON MOBIL 1 ESP FORMULA 5W-30		X	- "CN. "

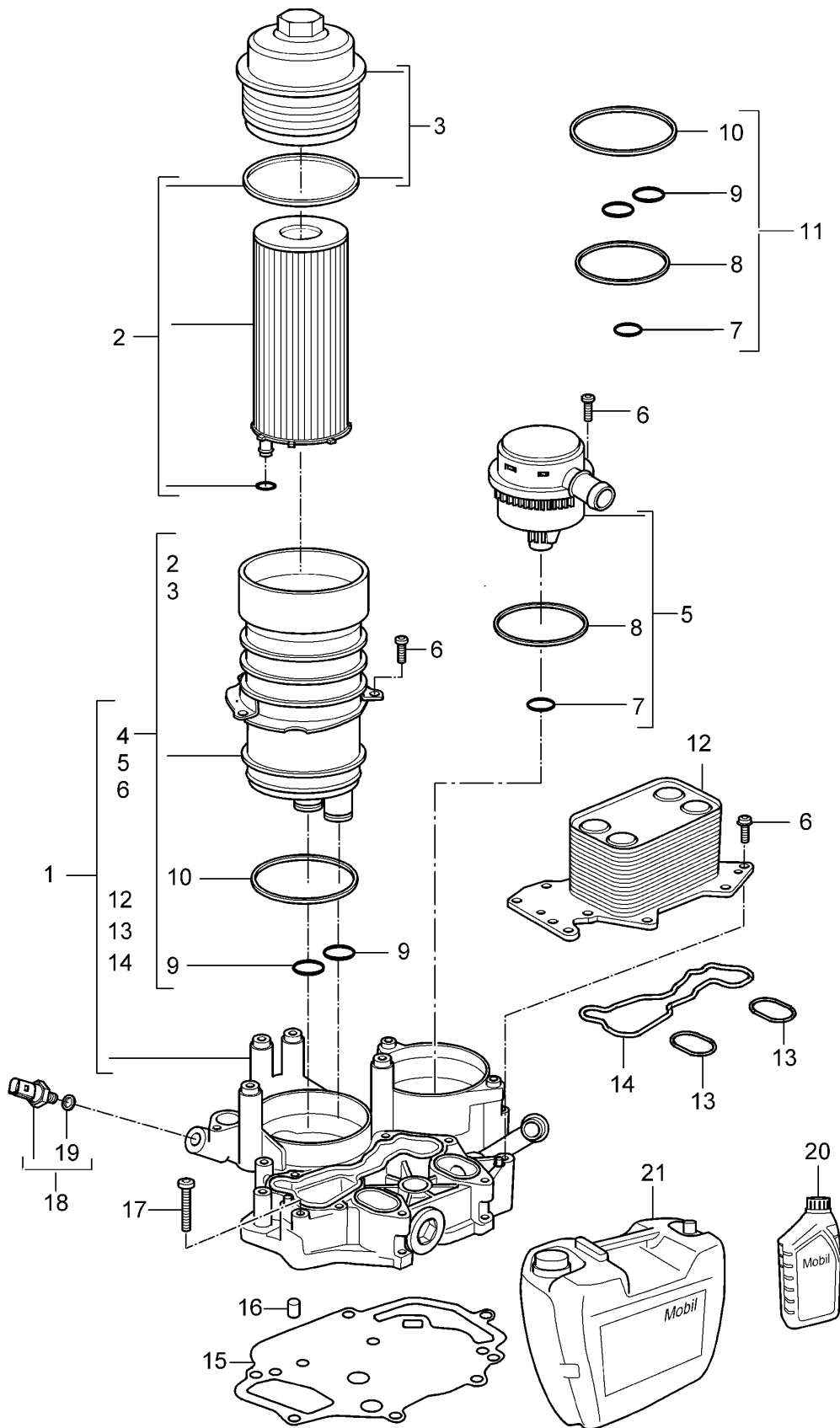
Model: 9PA108

Model life 2007>>2010

Pos	Part Number	Description	Remark	Qty	Model
(18)	000 043 301 21	20 LITER Container engine oil EXXON MOBIL 1 0W-40 20 LITER Container		X	"CN. "

Model: 9PA108

Model life 2007>>2010



Model: 9PA108 Model life 2007>>2010

Pos	Part Number	Description	Remark	Qty	Model
		oil filter Console Oil cooler Console oil filter (complete) Discontinued part		1	059D
(1)	955 107 010 01	Console oil filter (complete)		1	
2	955 107 222 00	filter element with gasket		1	
3	955 107 122 00	End cap		1	
4	955 107 073 00	oil container (complete)		1	
5	955 107 040 00	oil separator with: Seal		1	
(5)	955 107 040 01	No longer use the part here oil separator with: Seal		1	
6	N 101 243 06	Oval hexagon socket head bolt M 6 X 20		10	
7		Seal oil separator Use Pos.11		1	
8		Seal oil separator Use Pos.11		1	
9		Seal oil container Use Pos.11		2	
10		Seal oil container Use Pos.11		1	
11	955 107 901 00	Gasket set for oil tank and oil separator No longer use the part here		1	
(11)	955 107 901 01	Gasket set for oil tank and oil separator		1	
12	955 107 271 00	Oil cooler		1	
13	955 107 175 00	seal ring		2	
14	955 107 176 00	gasket for oil cooler		1	
15	955 107 111 20	Seal		1	
16	N 106 678 01	Cylinder pin 6 H 8 X 16		1	
17	N 106 165 01	Oval hexagon socket head bolt M 6 X 56		8	
18	955 606 091 10	Oil pressure switch		1	
19	N 013 811 5	seal ring 10 X 13,5		1	
20	000 043 301 16	engine oil EXXON MOBIL 1 ESP FORMULA 5W-30 1 LITER		X	
21	000 043 301 17	Container engine oil EXXON MOBIL 1 ESP FORMULA 5W-30		X	

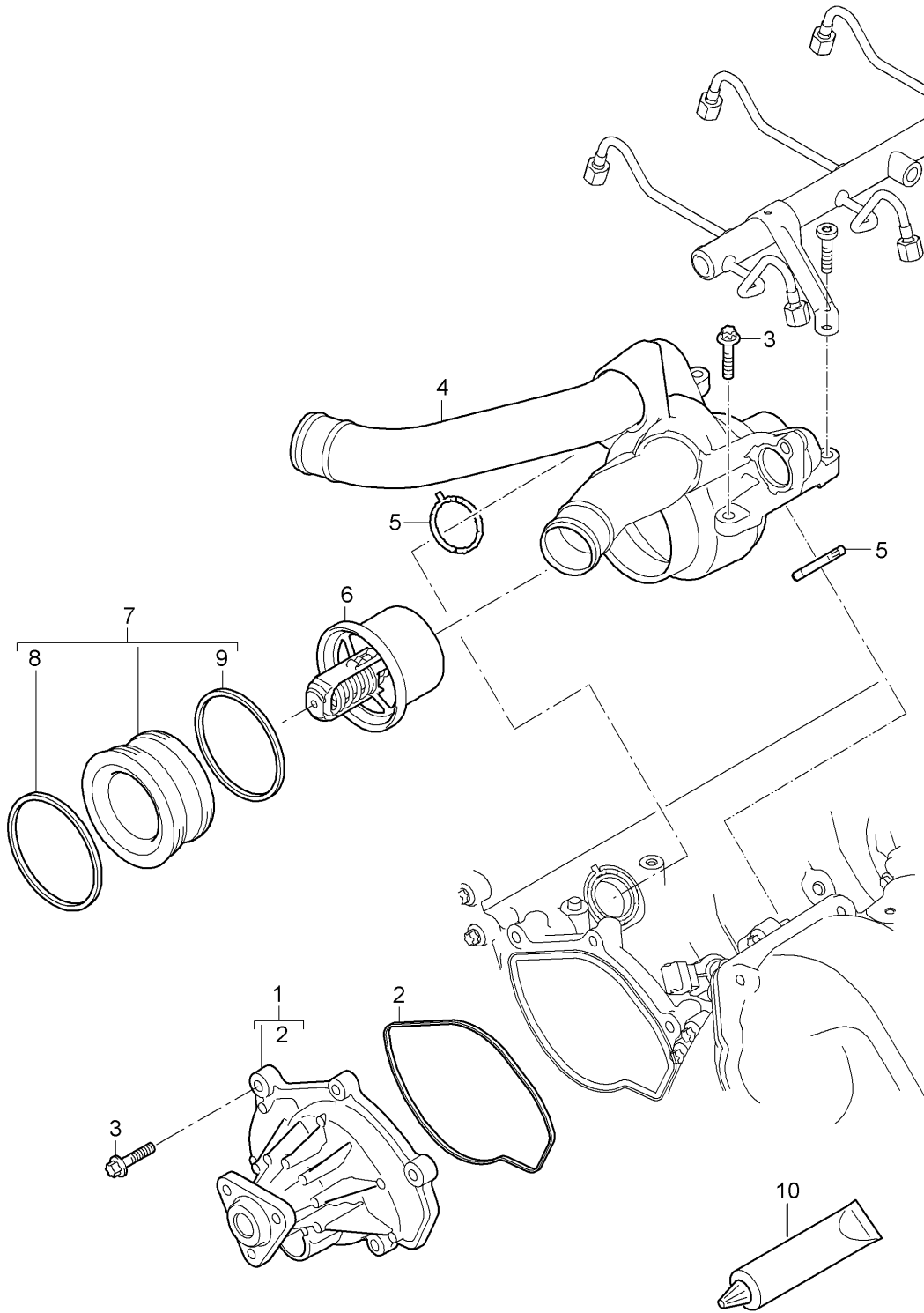
Model: 9PA108

Model life 2007>>2010

Pos	Part Number	Description	Remark	Qty	Model
		20 LITER Container			

Model: 9PA108

Model life 2007>>2010

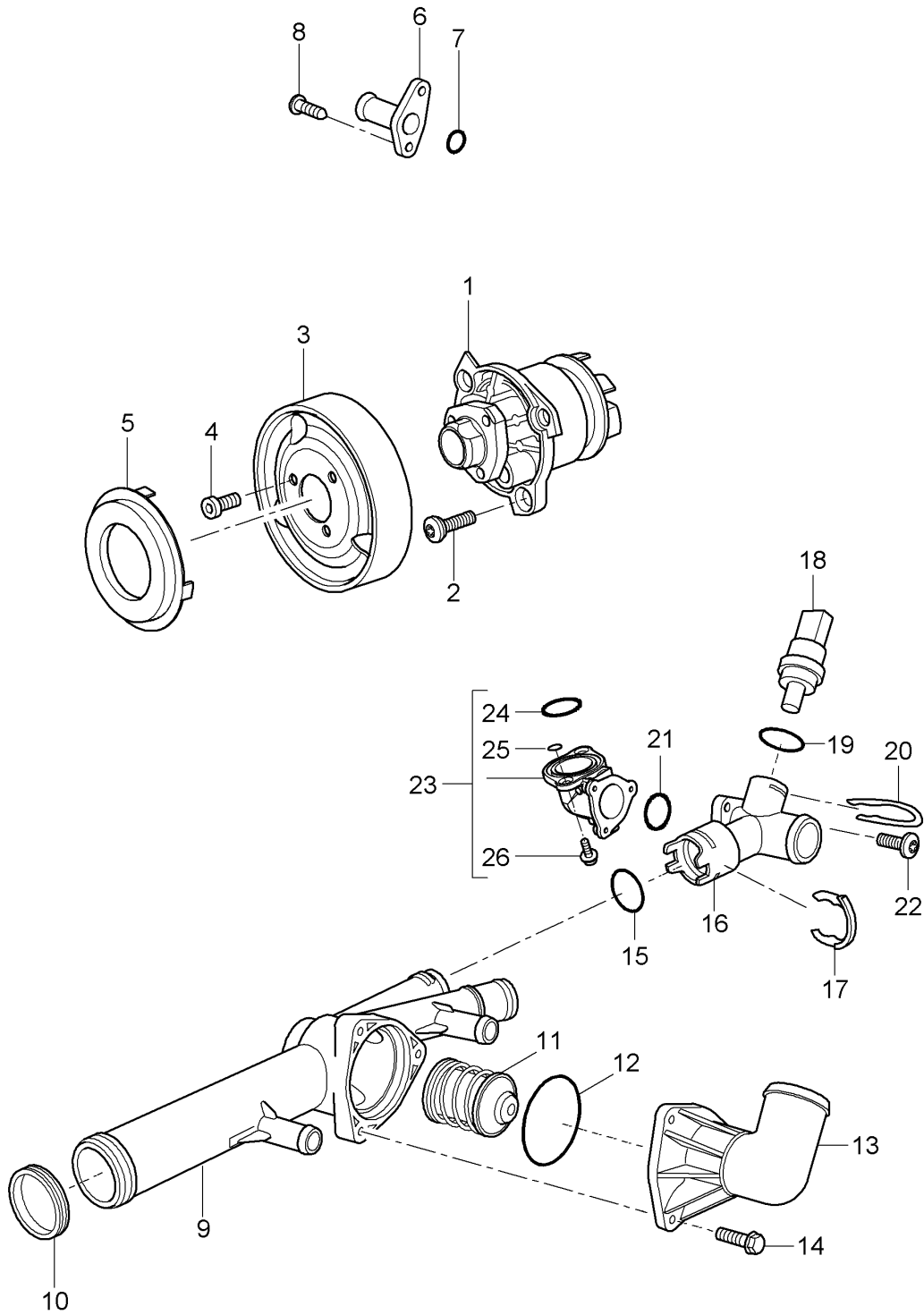


Model: 9PA108 Model life 2007>>2010

Pos	Part Number	Description	Remark	Qty	Model
		Coolant pump thermostat housing			4801,4851
1	948 106 033 01	Coolant pump with sealing ring		1	
2	948 106 533 00	Seal		1	
3	900 385 072 01	Torx screw	BM6X25	8	
4	948 106 060 05	thermostat housing		1	
		also use:	948 106 124 02	2	
			948 106 707 00	2	
			000 043 205 93	1	
5	948 106 124 01	Seal Discontinued part		2	
(5)	948 106 124 02	Seal		2	
6	948 106 125 01	thermostat		1	
7	948 106 101 01	Coolant connection Discontinued part		1	
(7)	948 106 101 02	Coolant connection No longer use the part here		1	
(7)	948 106 101 03	Coolant connection		1	
		also use:	000 043 205 93	1	
8	948 106 510 00	seal ring No longer use the part here	66,4X6,3	1	
(8)	999 707 649 40	O-ring No longer use the part here	62,86X5,33	1	
(8)	000 043 301 23	O-ring Discontinued part	62,86X5,33	1	
(8)	948 106 707 00	O-ring	62,86X5,33	1	
9	948 106 511 00	seal ring No longer use the part here	63,8X6,3	1	
(9)	999 707 649 40	O-ring No longer use the part here	62,86X5,33	1	
(9)	000 043 301 23	O-ring Discontinued part	62,86X5,33	1	
(9)	948 106 707 00	O-ring	62,86X5,33	1	
10	000 043 205 93	grease 1 tube for seal ring Coolant connection	100 gram	X	

Model: 9PA108

Model life 2007>>2010



Model: 9PA108 Model life 2007>>2010

Pos	Part Number	Description	Remark	Qty	Model
		Coolant pump thermostat housing			5501
1	955 106 033 00	Coolant pump with sealing ring		1	
(1)	955 106 033 01	Coolant pump with sealing ring		1	
2	N 105 268 02	oval head countersunk bolt with multi-point socket head	M6X18	3	
3	955 106 031 01	pulley		1	
		M >> 638 08942			
(3)	955 106 091 00	pulley		1	
		M 638 08943 >> 63A 03026			
		M >> 63A 05019			
		See technical information see main group 1 (engine)			
		KD-NR. 1373			
		19/09			
(3)	955 106 031 01	pulley		1	
		M 63A 03027 >>			
		M 63A 05020 >>			
		See technical information see main group 1 (engine)			
		KD-NR. 1373			
		19/09			
4	N 905 442 03	Socket head bolt with inner multipoint head	M8X11	3	
		M >> 638 08942			
(4)	N 911 361 01	Socket head bolt with inner multipoint head	M8X14	3	
		M 638 08943 >> 63A 03026			
		M >> 63A 05019			
		See technical information see main group 1 (engine)			
		19/09			
(4)	N 905 442 03	Socket head bolt with inner multipoint head	M8X11	3	
		M 63A 03027 >>			
		M 63A 05020 >>			
		See technical information see main group 1 (engine)			
		19/09			
5	955 106 419 00	Cover pulley		1	
		D >> - MJ 2008			
6	955 106 231 00	water connection		1	
7	955 106 431 00	seal ring		1	
8	N 910 717 01	Hexagon socket flat head bolt	M6X25	2	
9	955 106 060 00	thermostat housing		1	
10	955 106 124 00	seal ring	37,5X4	1	
		Discontinued part			
(10)	WHT 005 190	O-ring	37,5X4X6	1	
11	955 106 126 00	thermostat		1	
12	WHT 000 863	seal ring	56,2X3	1	
13	955 106 131 00	Cover thermostat		1	
14	N 905 330 03	bolt, hex. hd. (combi.) self-locking	M6X20	3	
15	WHT 000 862	seal ring	29X3,5	1	
16	955 106 132 00	Coolant connection		1	
17	955 106 344 00	retaining spring		1	
18	955 106 125 01	Temperature sensor		1	
19	N 903 168 01	O-ring	19,6X3,65	1	
20	955 106 143 00	retaining spring		1	
21	955 106 509 00	seal ring		1	

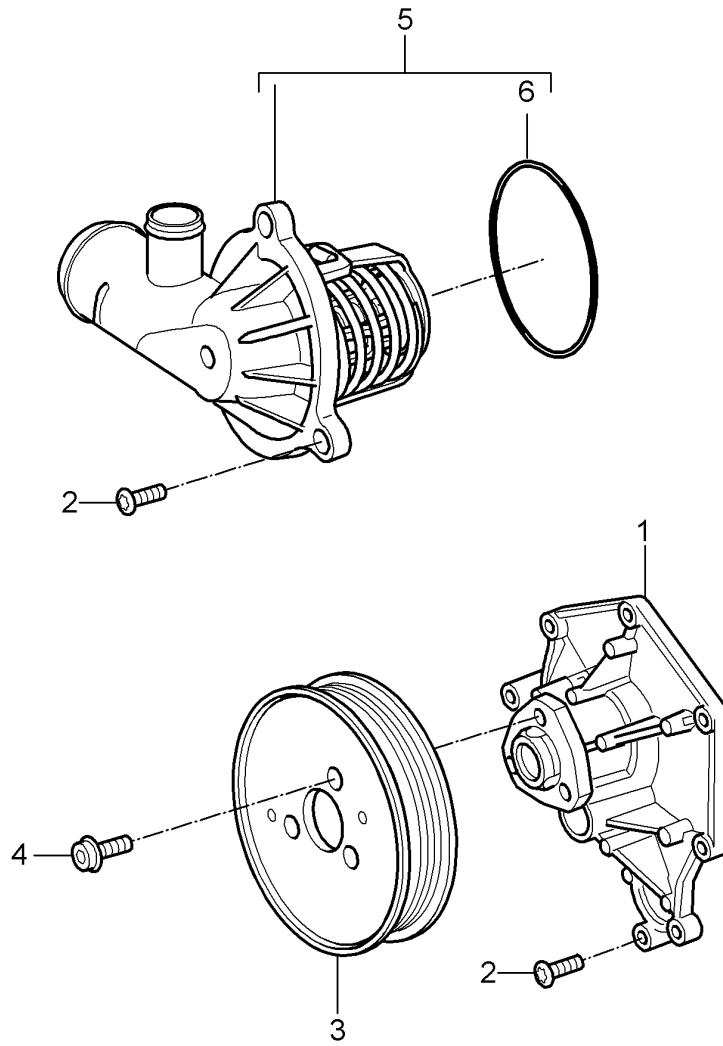
Model: 9PA108

Model life 2007>>2010

Pos	Part Number	Description	Remark	Qty	Model
22	N 910 541 01	Oval hexagon socket head bolt	M6X25	3	
23	955 106 134 00	Coolant connection Cylinder head		1	
24	955 106 511 00	seal ring		1	
25	955 106 586 00	O-ring	7X2	2	
26	N 902 929 03	Socket head bolt with hexagon socket head (combination)	M8X25	2	

Model: 9PA108

Model life 2007>>2010



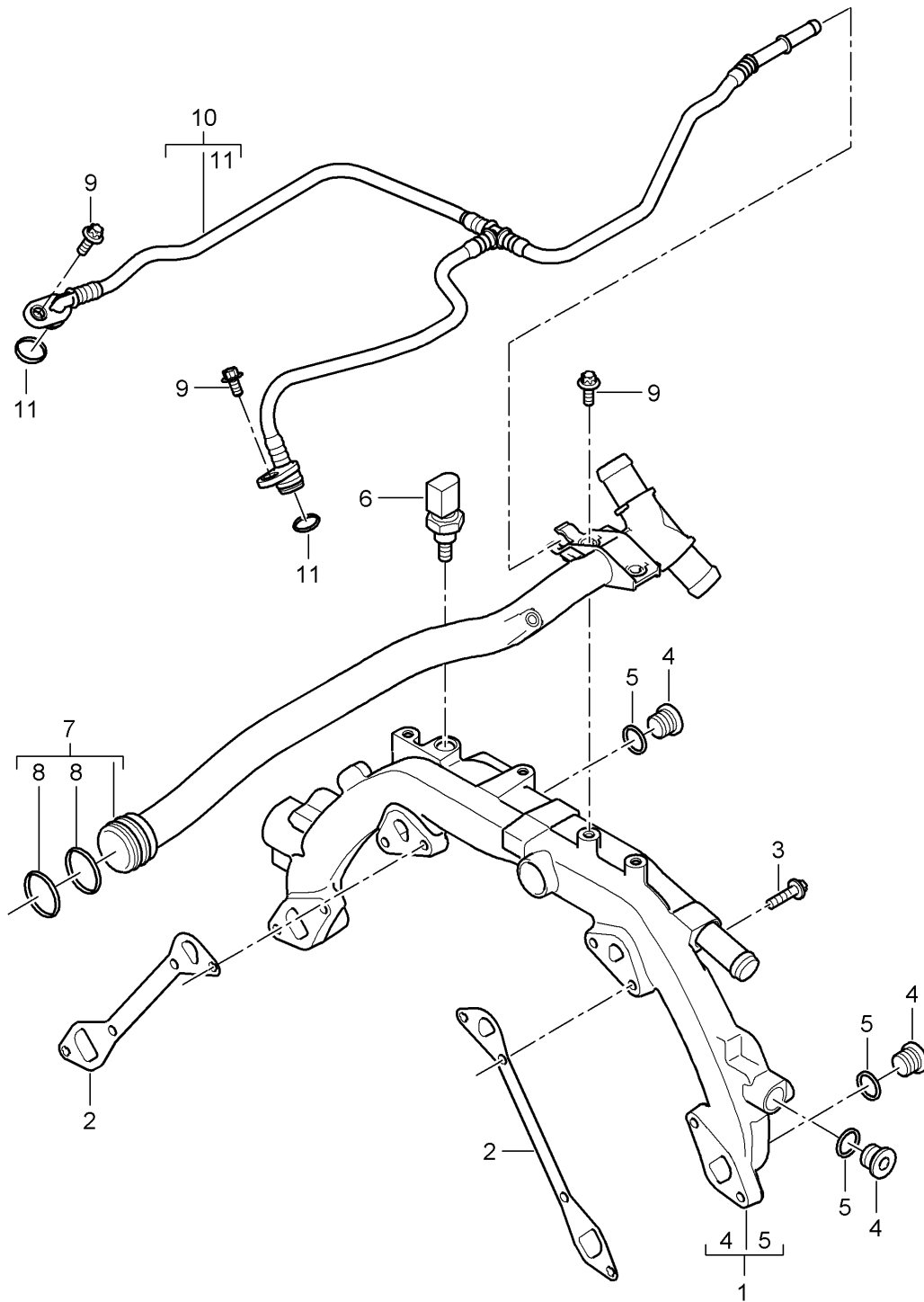
Model: 9PA108

Model life 2007>>2010

Pos	Part Number	Description	Remark	Qty	Model
		Coolant pump thermostat housing			059D
1	955 106 033 10	Coolant pump with sealing ring No longer use the part here		1	
(1)	955 106 033 11	Coolant pump with sealing ring No longer use the part here		1	
(1)	958 106 033 20	Coolant pump with sealing ring		1	
2	N 101 961 05	Oval hexagon socket head bolt	M6X18	10	
3	955 106 091 10	pulley Discontinued part		1	
(3)	958 106 091 10	pulley		1	
4	N 910 522 01	Hexagon socket head bolt	M8X12	3	
5	955 106 032 00	thermostat housing		1	
		thermostat with:			
6	955 106 123 00	Seal	75,6X3,1	1	

Model: 9PA108

Model life 2007>>2010



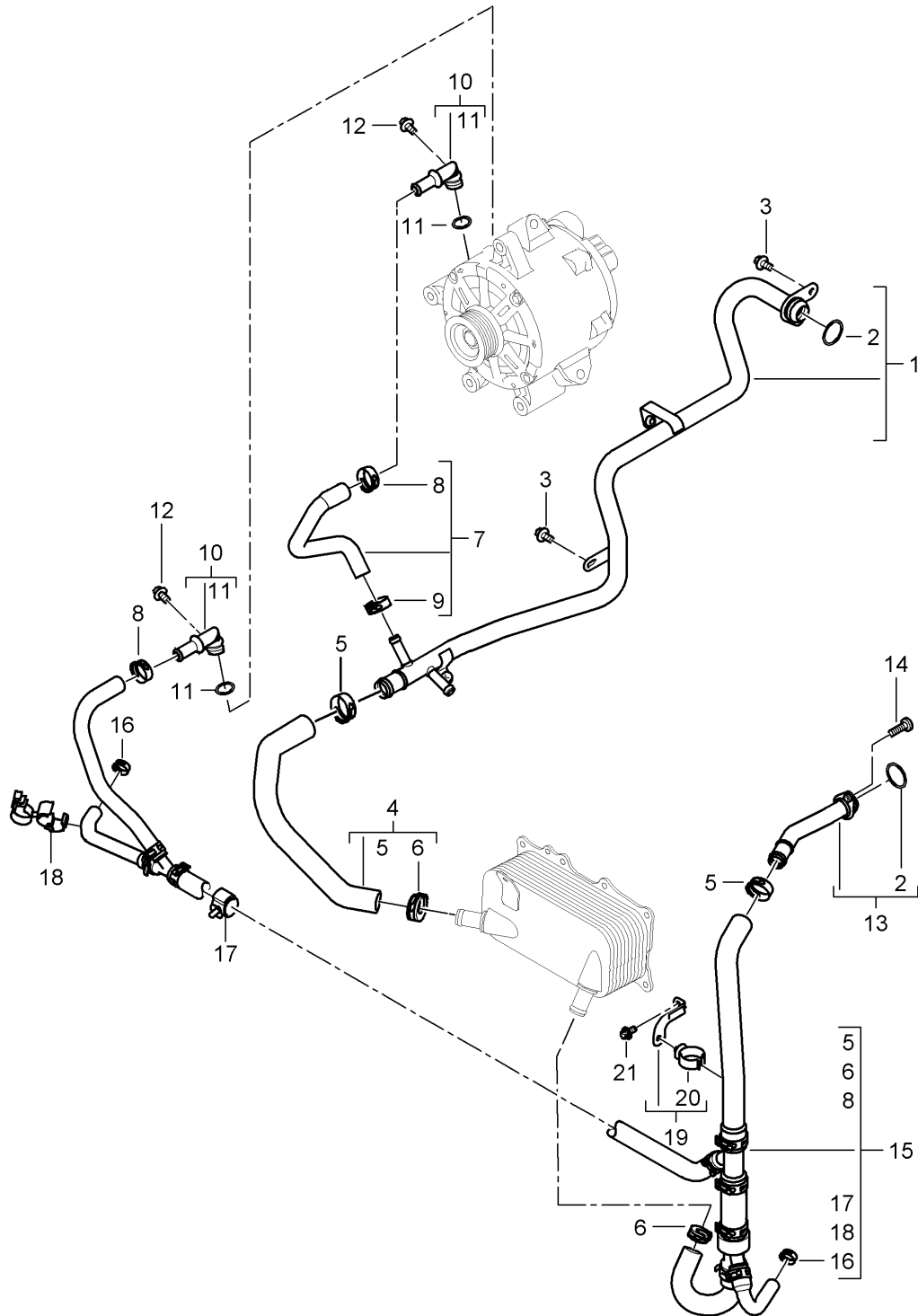
Model: 9PA108

Model life 2007>>2010

Pos	Part Number	Description	Remark	Qty	Model
1	948 106 061 03	Water cooling 1 Distributor tube Discontinued part		1	4801,4851
(1)	948 106 061 04	Distributor tube Discontinued part		1	
(1)	948 106 061 06	Distributor tube Only Valid for Cayenne turbo Deleted	side	1	
(1)	948 106 061 07	sealing plug Discontinued part Distributor tube use if required:	side 958 106 322 10	1 1	
2	948 106 154 01	Only Valid for Cayenne turbo Deleted		2	
3	900 385 072 01	sealing plug Seal		8	
4	900 219 004 01	Torx screw BM 6 X 25		3	4801
(4)	900 219 004 01	sealing plug M 16 X 1,5		2	4851
5	900 123 131 30	sealing plug M 16 X 1,5		3	4801
(5)	900 123 131 30	seal ring A 16 X 20		2	4851
6	997 606 420 00	seal ring A 16 X 20		1	
7	948 106 069 03	Temperature sensor		1	
(7)	948 106 069 10	Coolant pipe heater No longer use the part here		1	
8	999 707 518 41	Coolant pipe heater		2	
9	900 385 009 01	O-ring 28 X 3		4	
10	948 106 026 03	Torx screw BM 6 X 16		1	
(10)	948 106 026 04	Breather line No longer use the part here		1	
11	999 707 586 40	Breather line		2	
		O-ring 11 X 2,5			

Model: 9PA108

Model life 2007>>2010



Model: 9PA108 Model life 2007>>2010

Pos	Part Number	Description	Remark	Qty	Model
1	948 106 022 52	Water cooling 2 Coolant pipe	feed	1	4801,4851
(1)	948 106 022 02	Coolant pipe	feed	1	4851
2	999 701 825 40	O-ring 19,6 X 3,53		2	4801
3	900 385 041 01	Torx screw BM 6 X 12		2	
4	948 106 457 01	Water hose Discontinued part	feed	1	
(4)	948 106 457 02	Water hose	feed	1	
5	999 512 658 09	Hose clamp 27 X 12		2	
6	999 512 656 09	Hose clamp 25 X 12		2	
7	948 106 355 05	Water hose Discontinued part	feed	1	
(7)	948 106 355 06	Water hose	feed	1	
8	999 512 652 09	Hose clamp 19 X 12		2	
9	999 512 686 09	Hose clamp 17 X 12		1	
10	948 106 462 00	connection piece Alternator		2	
11	999 707 514 40	O-ring 12,37 X 2,62		2	
12	900 385 009 01	Torx screw BM 6 X 16		2	
13	948 106 421 04	Coolant pipe	return	1	
14	999 073 195 01	flat round head bolt M 6 X 20 Discontinued part		1	
(14)	999 073 344 01	flat round head bolt M 6 X 20		1	
15	948 106 051 51	Water hose (complete)	return	1	4851
(15)	948 106 051 01	Water hose (complete)	return	1	4801
16	999 512 686 09	Hose clamp B 17 X 12		2	4851
17	999 507 793 40	Hose bracket		1	4851
(17)	999 507 127 40	Hose bracket		1	4801
18	999 507 860 40	Hose bracket		1	4851
19	955 106 503 00	Retainer for coolant hose only in conj. with: Hexagon bolt Discontinued part		1	
(19)	7PP 121 232	Retainer for coolant hose only in conj. with: fillister hd. bolt Discontinued part		1	
(19)	7PP 121 224	Retainer for coolant hose only in conj. with: fillister hd. bolt		1	
20	999 511 244 40	Cable holder only in conj. with: Bracket 955.106.503.00 or 7PP.121.232		1	
(20)	N 105 769 01	Hose bracket		1	

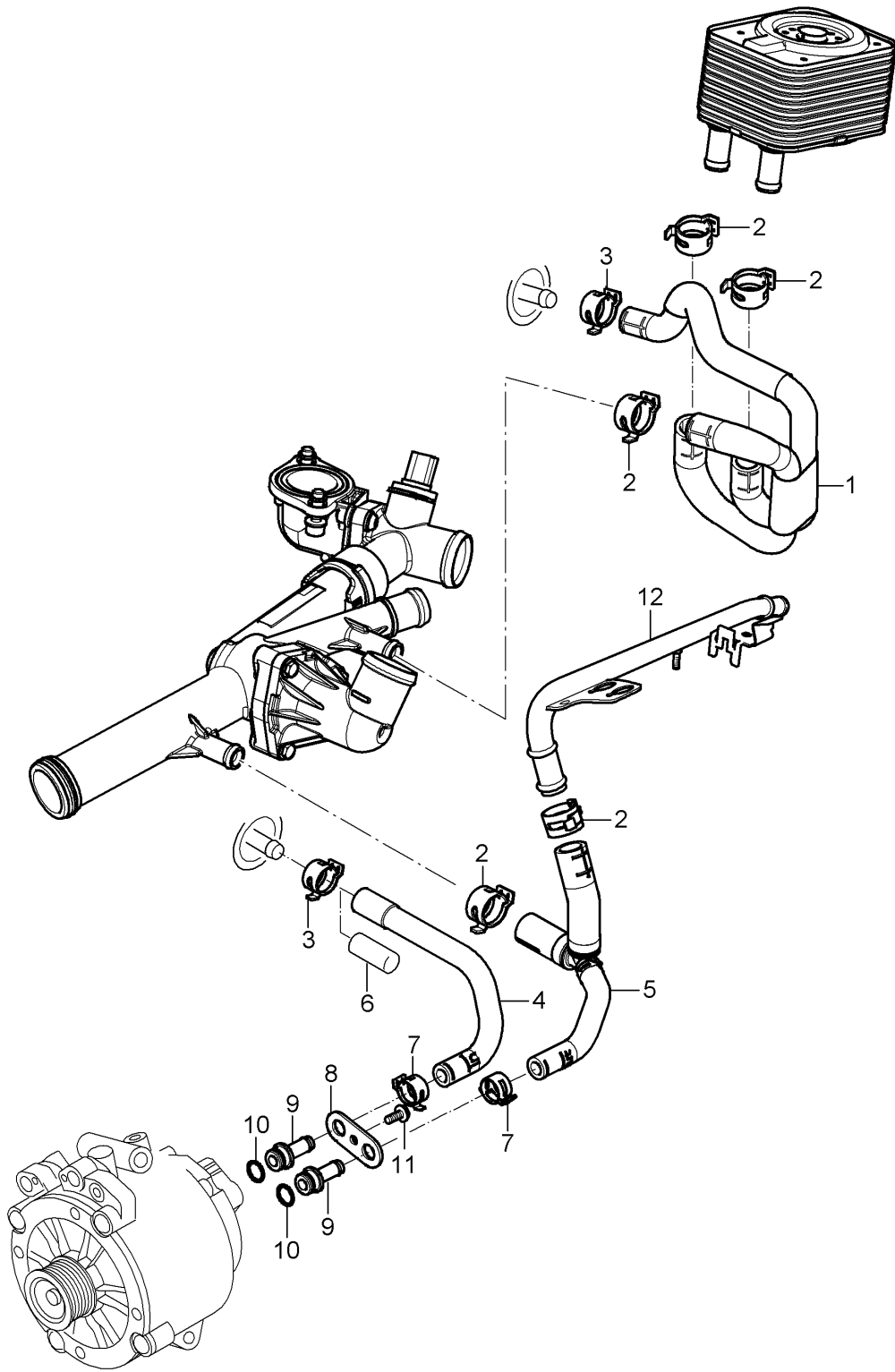
Model: 9PA108

Model life 2007>>2010

Pos	Part Number	Description	Remark	Qty	Model
21	N 101 563 07	only in conj. with: 7PP.121.224 Hex collared bolt M 6 X 12 M >> 9 05540 M >> G 9 04964 M >> 9 01688 M >> T 9 01787 M >> S 9 00561		1	4801 4801, E0W 4851 4851, E8A 4851, E81
(21)	999 073 902 30	fillister hd. bolt aluminium M 6 X 16		1	
(21)	999 073 902 31	Discontinued part fillister hd. bolt aluminium M 6 X 16		1	

Model: 9PA108

Model life 2007>>2010

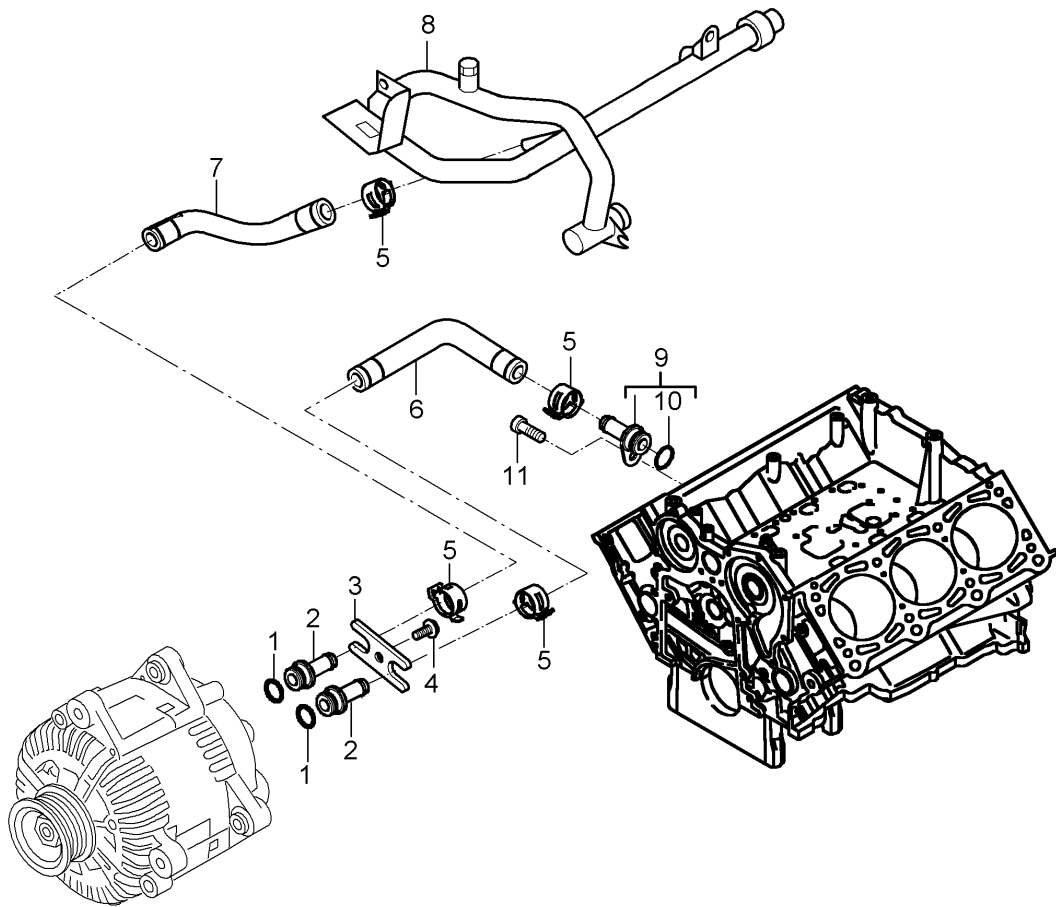


Model: 9PA108 Model life 2007>>2010

Pos	Part Number	Description	Remark	Qty	Model
		Water cooling 2			5501
1	955 106 052 00	Water hose		1	
2	N 906 869 01	Spring band clamp B 23 X 12		5	
3	N 909 264 01	Spring band clamp B 19 X 12		2	
4	955 106 356 10	Water hose		1	PR:8GH
		D >> - MJ 2009			
5	955 106 355 10	Water hose		1	PR:8GH
		D >> - MJ 2009			
(5)	955 106 355 20	Water hose		1	PR:8GV
		D >> - MJ 2009			
(5)	955 106 355 20	Water hose		1	
		D - MJ 2010>>			
6	955 106 099 00	Bungs Crankcase housing		1	PR:8GV
		D >> - MJ 2009			
(6)	955 106 099 01	Bungs Crankcase housing		1	
		D - MJ 2010>>			
7	N 907 702 01	Spring band clamp B 17 X 12		2	PR:8GH
		D >> - MJ 2009			
8	955 106 361 00	Retaining plate		1	PR:8GH
		D >> - MJ 2009			
		Discontinued part			
(8)	955 106 361 10	Retaining plate		1	PR:8GH
		D >> - MJ 2009			
9	955 106 362 02	Connector union		2	PR:8GH
		D >> - MJ 2009			
10	N 907 834 02	O-ring 13,1 X 1,6		2	PR:8GH
		D >> - MJ 2009			
11	N 106 137 01	Socket head bolt with inner multipoint head (Kombi) M 6 X 28		1	PR:8GH
		D >> - MJ 2009			
12		Water pipe see illustration:	105-035	1	

Model: 9PA108

Model life 2007>>2010



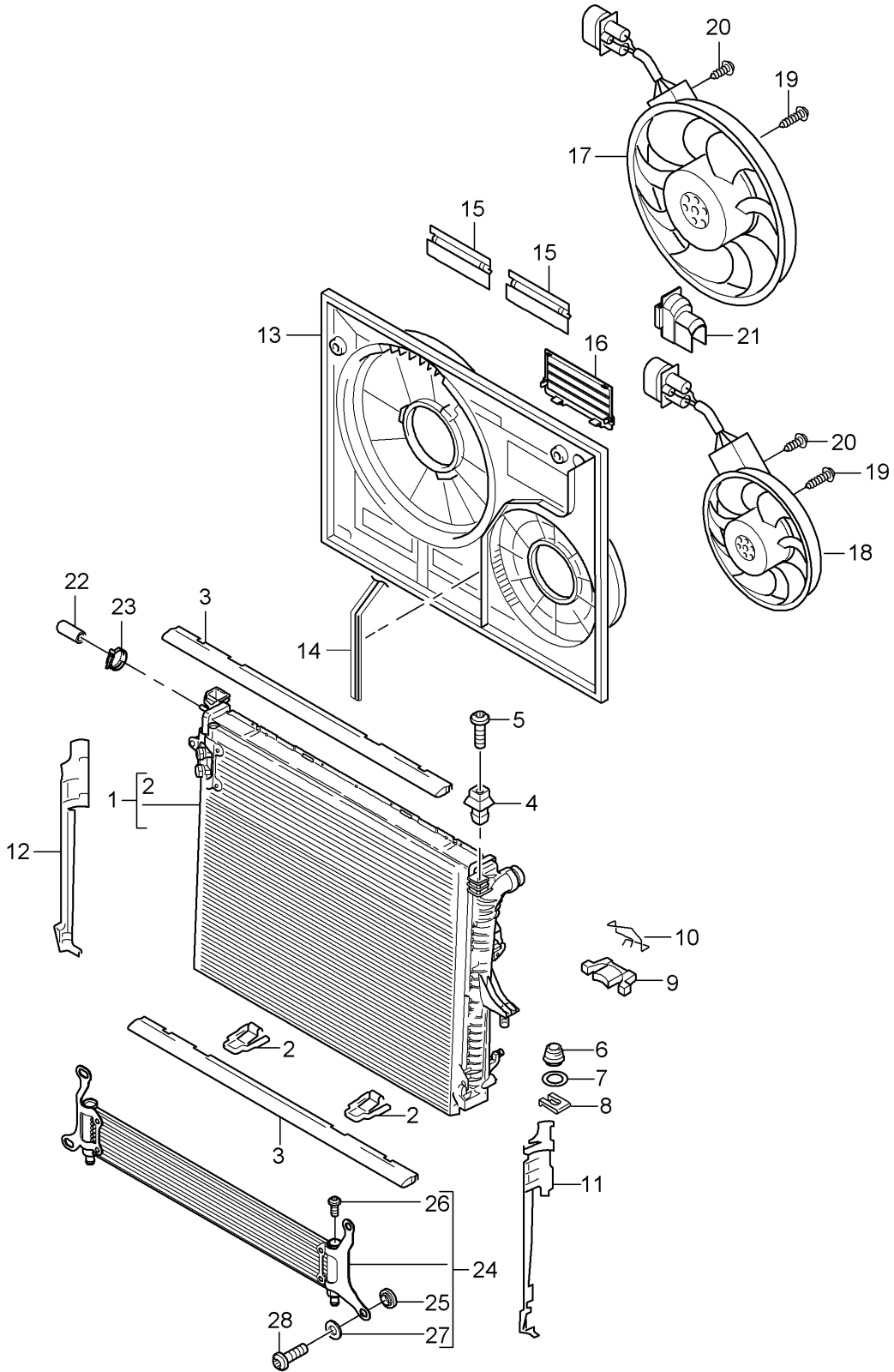
Model: 9PA108

Model life 2007>>2010

Pos	Part Number	Description	Remark	Qty	Model
1	N 907 834 02	Water cooling 2 O-ring 13,1 X 1,6 D >> - MJ 2009		2	059D
2	955 106 362 02	Connector union D >> - MJ 2009		2	
3	955 106 361 10	Retaining plate D >> - MJ 2009		1	
4	N 101 562 06	Oval hexagon socket head bolt M 6 X 30 D >> - MJ 2009		1	
5	N 907 702 01	Spring band clamp B 17 X 12 D >> - MJ 2009		4	
6	955 106 355 30	Water hose Supply D >> - MJ 2009		1	
7	955 106 356 30	Water hose Return line D >> - MJ 2009		1	
8		Water pipe see illustration:	105-042	1	
9	955 106 155 00	Connector union Crankcase housing D >> - MJ 2009		1	
(9)	955 106 155 01	End cap Crankcase housing D - MJ 2010>>		1	
10	N 910 084 01	O-ring 19,6 X 3		1	
11	N 101 703 02	round hd. screw M 6 X 10		1	

Model: 9PA108

Model life 2007>>2010



Model: 9PA108 Model life 2007>>2010

Pos	Part Number	Description	Remark	Qty	Model
1	955 106 142 01	Water cooling 3 Radiator		1	
(1)	955 106 142 01	Radiator		1	PR:D50
		also use:	955 106 599 00	1	
			N 906 867 01	1	
2	955 106 079 00	Bracket		2	
3	955 106 379 00	beading		2	
4	955 106 191 00	Stop buffer		2	
5	N 910 252 01	panel screw 6.0 X 30		2	
6	955 106 175 00	Rubber bush		2	
7	N 904 485 01	Washer 16.2 X 34.2 X 3.0		2	
8	955 106 174 00	Clip		2	
9	955 106 176 00	Bracket		2	
		Rubber bush			
10	955 106 173 00	Clip		2	
		Bracket			
11	955 106 346 01	Seal	left	1	PR:D5X,D5V
(11)	955 106 346 01	Seal	left	1	PR:D50
(11)	955 106 346 10	Seal	left	1	PR:D5Z
12	955 106 347 01	Seal	right	1	
13	955 106 258 10	Cooling air duct		1	PR:D5X
(13)	955 106 258 10	Cooling air duct		1	PR:D5V,0Y1, 0Y3
(13)	955 106 258 00	Cooling air duct		1	PR:D5V,0Y2
(13)	955 106 258 00	Cooling air duct		1	PR:D5Z
14	955 106 271 00	beading Cooling air duct		1	PR:D50
15	955 106 259 00	Flap	lower	2	
16	955 106 259 10	Flap	upper	1	
17	955 624 136 00	Radiator fan - DC - Discontinued part		1	PR:D5X
(17)	955 624 136 01	Radiator fan - DC -		1	PR:D5X
(17)	955 624 136 00	Radiator fan - DC - Discontinued part		1	PR:D5V,0Y1, 0Y3
(17)	955 624 136 01	Radiator fan - DC -		1	PR:D5V,0Y1, 0Y3
(17)	955 624 135 00	Radiator fan - EC -		1	PR:D5V,0Y2
(17)	955 624 135 00	Radiator fan - EC -		1	PR:D5Z
(17)	955 624 135 00	Radiator fan - EC -		1	PR:D50
18	955 624 134 00	Radiator fan - DC - Discontinued part		1	
(18)	955 624 134 01	Radiator fan - DC -		1	
19	955 106 953 10	Screw M 5 X 16		6	PR:D5X
(19)	955 106 953 10	Screw M 5 X 16		6	PR:D5V,0Y1, 0Y3
(19)	955 106 953 10	Screw M 5 X 16		3	PR:D5V,0Y2
(19)	955 106 953 10	Screw M 5 X 16		3	PR:D5Z
(19)	955 106 953 10	Screw M 5 X 16		3	PR:D50

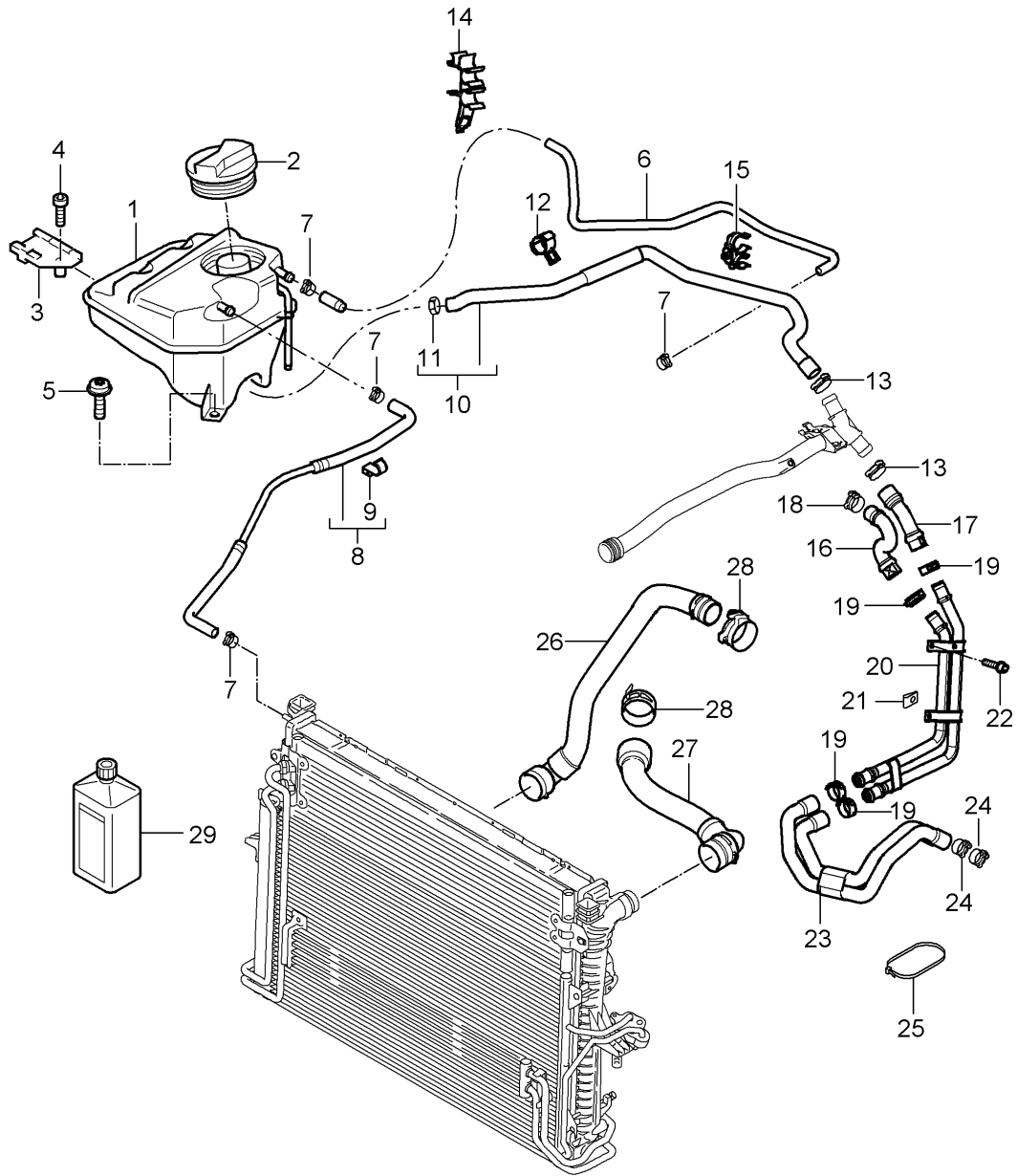
Model: 9PA108

Model life 2007>>2010

Pos	Part Number	Description	Remark	Qty	Model
(19)	955 106 953 00	M 5 X 16 Screw		3	PR:D5V,0Y2
(19)	955 106 953 00	M 5 X 12 Screw		3	PR:D5Z
(19)	955 106 953 00	M 5 X 12 Screw		3	PR:D50
20	955 106 953 20	M 5 X 12 Screw		8	PR:D5X
(20)	955 106 953 20	4 X 25 Screw		8	PR:D5V,0Y1, 0Y3
(20)	955 106 953 20	4 X 25 Screw		4	PR:D5V,0Y2
(20)	955 106 953 20	4 X 25 Screw		4	PR:D5Z
(20)	955 106 953 20	4 X 25 Screw		4	PR:D50
21	955 504 750 00	Cover Connector		1	
22	955 106 599 00	Electric fan Sealing cap connection piece		1	PR:D50
23	N 906 867 01	Radiator Spring band clamp		1	PR:D50
24	955 106 212 00	B 14 X 12 Radiator		1	PR:D50
25	867 129 669	Grommet		4	PR:D50
26	955 106 354 00	drain plug		1	PR:D50
27	6N0 129 734	Distance piece		4	PR:D50
28	N 910 252 01	panel screw 6 X 30		4	PR:D50

Model: 9PA108

Model life 2007>>2010



Model: 9PA108

Model life 2007>>2010

Pos	Part Number	Description	Remark	Qty	Model
		Coolant cooling system			PR:D5V,D5Z
		Coolant expansion tank			
1	955 106 147 22	Coolant expansion tank		1	
		Discontinued part			
(1)	955 106 147 23	Coolant expansion tank		1	
2	955 106 447 20	Cover		1	
3	955 106 405 01	Bracket		1	
4	N 101 244 08	Hexagon socket head bolt (combi)	M6X20	1	
5	N 908 913 02	Hexagon socket oval head bolt (combi)	M6X20	1	
6	955 106 251 00	Vent hose		1	
7	N 906 867 01	Spring band clamp	14X12	4	
8	955 106 277 10	Water hose		1	
9	955 106 525 00	Hose bracket		1	
10	955 106 261 00	Water hose		1	
11	955 106 410 00	Hose clamp		1	
12	955 106 527 00	Retainer for coolant hose		1	
13	955 512 405 00	Clamp		2	
14	955 110 325 00	Line holder		1	
15	955 106 510 00	Line holder		1	
16	955 106 322 10	Water hose		1	
		only in conj. with:			
		Distributor tube			
		948.106.061.06			
(16)	958 106 322 10	Water hose		1	
		only in conj. with:			
		Distributor tube			
		948.106.061.07			
17	955 106 323 10	Water hose		1	
18	955 512 407 00	Clamp		1	
19	N 906 870 01	Spring band clamp	B27X12X1,7	4	
20	955 106 310 00	Coolant pipe		1	
21	955 971 847 00	cable terminal		1	
22	N 910 073 01	Socket head bolt with inner multipoint head (Kombi)	M6X15	2	
23	955 106 073 00	Water hose		1	
24	N 906 870 01	Spring band clamp	B27X12X1,7	2	
25	955 106 409 00	Cable ties		1	
26	955 106 632 00	Water hose		1	PR:D5V,0Y1,0Y3
		Supply			PR:D5V,0Y2
(26)	955 106 632 10	Water hose		1	
		Supply			
(26)	955 106 632 10	Water hose		1	PR:D5Z
		Supply			
27	955 106 633 00	Water hose		1	
		Return line			
28	N 909 265 01	Spring band clamp		2	
		B 47 X 12			
29	000 043 301 03	Coolant additive	1.0 Ltr.	X	
		Discontinued part			
(29)	000 043 301 47	Coolant additive	1.0 Ltr.	X	
		Discontinued part			
(29)	000 043 305 15	Coolant additive	1.0 Ltr.	X	
(29)	000 043 301 04	Coolant additive	20ltr.	X	
		Discontinued part			
(29)	000 043 301 48	Coolant additive	20ltr.	X	
		Discontinued part			
(29)	000 043 305 16	Coolant additive	20ltr.	X	
(29)	000 043 204 39	Cleaning solution	20ltr.	X	
		See technical information see main group 1 (engine)			

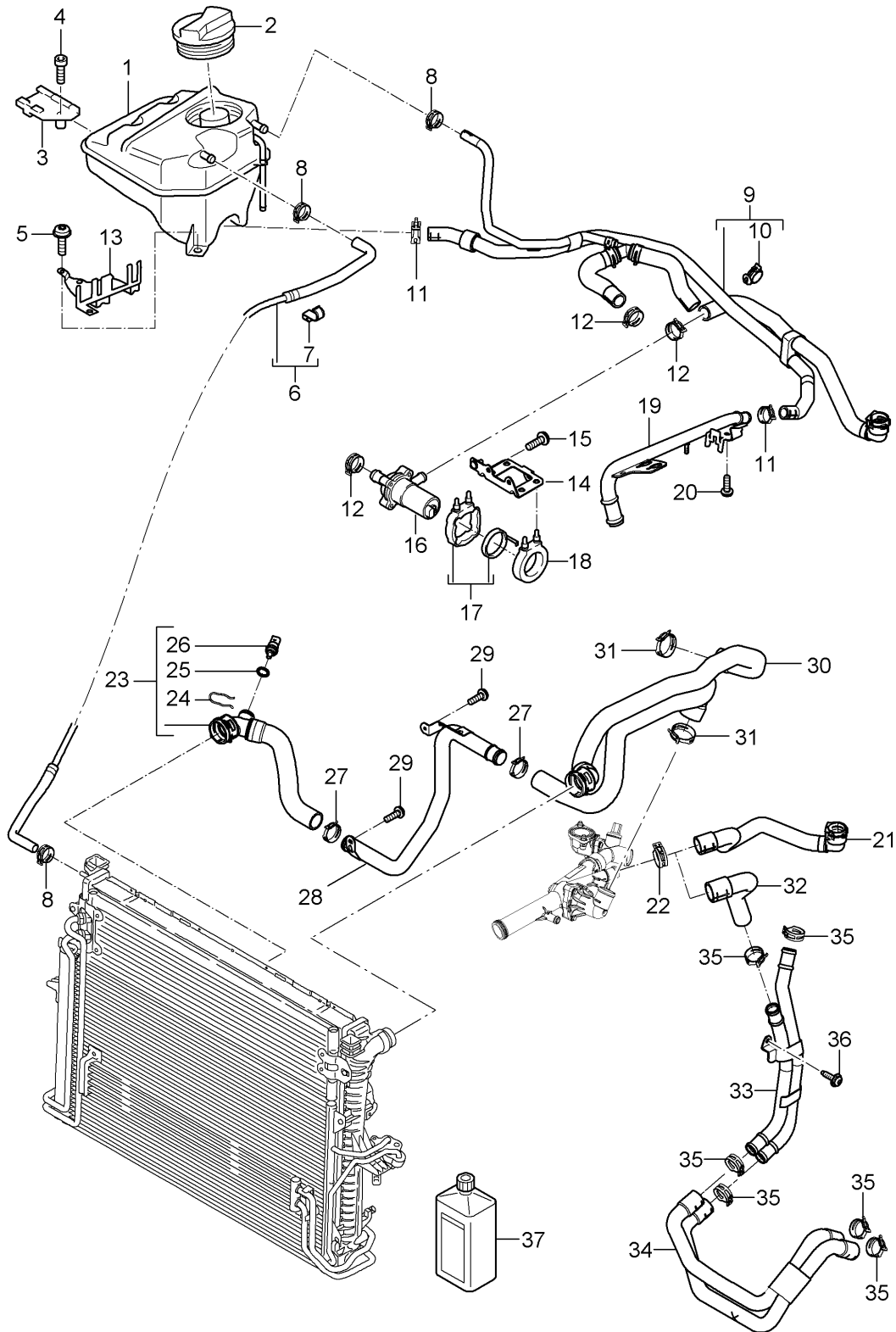
Model: 9PA108

Model life 2007>>2010

Pos	Part Number	Description	Remark	Qty	Model
(29)	000 043 305 64	KD-NR.1901 8/08 Discontinued part Cleaning solution See technical information see main group 1 (engine) KD-NR.1901 8/08	20ltr.	x	

Model: 9PA108

Model life 2007>>2010



Model: 9PA108 Model life 2007>>2010

Pos	Part Number	Description	Remark	Qty	Model
		Coolant cooling system			PR:D5X
1	955 106 147 22	Coolant expansion tank		1	
(1)	955 106 147 23	Discontinued part		1	
2	955 106 447 20	Coolant expansion tank		1	
3	955 106 405 01	Cover		1	
4	N 101 244 08	Bracket		1	
		Hexagon socket head bolt (combi)	M6X20	1	
5	N 908 913 02	Hexagon socket oval head bolt (combi)	M6X20	1	
6	955 106 277 20	Water hose		1	
7	955 106 525 00	Hose bracket		1	
8	N 906 867 01	Spring band clamp	14X12	3	
9	955 106 061 00	Water hose (complete)		1	PR:9AB,9AD
(9)	955 106 061 10	Water hose (complete)		1	PR:9AH
(9)	955 106 061 10	Water hose (complete)		1	PR:7VE,7VL
10	N 104 244 01	Bracket	8X23	1	
11	N 906 555 01	Spring band clamp	23X12	2	
12	N 906 870 01	Spring band clamp	B27X12X1,7	3	
13		Bracket		1	
		Lambda probe			
		see illustration:	202-010		
14	955 106 470 30	Bracket for additional coolant pump		1	
15	N 107 188 01	bolt,hex.hd.with shoul.(combi)	M6X16	2	
16	955 106 561 01	Additional coolant pump		1	
17	955 106 209 00	Appendix Rubber bush		1	
		locking bucket	with:		
18	955 106 209 10	Rubber bush		1	
19	955 106 022 30	Water pipe		1	
20	N 909 899 01	Oval socket head bolt with hex drive	6X18	1	
21	955 106 062 00	Water hose		1	PR:9AB,9AD
22	N 906 871 01	Spring band clamp	32X12	1	
23	955 106 632 20	Water hose		1	
24	955 106 143 00	retaining spring		1	
25	N 903 168 01	O-ring	19,6X3,65	1	
26	955 106 125 01	Temperature sensor		1	
27	N 906 872 01	Spring band clamp	40X12	2	
28	955 106 165 00	Water pipe		1	
29	N 907 315 03	Hexagon socket head panel bolt	TP6X25	2	
30	955 106 633 20	Water hose (complete)		1	
31	N 909 265 01	Spring band clamp	47X12	2	
32	955 106 062 10	Water hose		1	PR:9AH
(32)	955 106 062 10	Water hose		1	PR:7VE,7VL
33	955 106 066 10	Coolant pipe		1	PR:9AH
(33)	955 106 066 10	Coolant pipe		1	PR:7VE,7VL
34	955 106 074 00	Water hose		1	PR:9AH
(34)	955 106 074 00	Water hose		1	PR:7VE,7VL
35	N 906 870 01	Spring band clamp	B27X12X1,7	6	
(35)	N 906 870 01	Spring band clamp	B27X12X1,7	6	
36	N 910 073 01	Socket head bolt with inner multipoint head (Kombi)	M6X15	2	
(36)	N 910 073 01	Socket head bolt with inner multipoint head (Kombi)	M6X15	2	
37	000 043 301 12	Coolant additive	1.0 Ltr.	X	

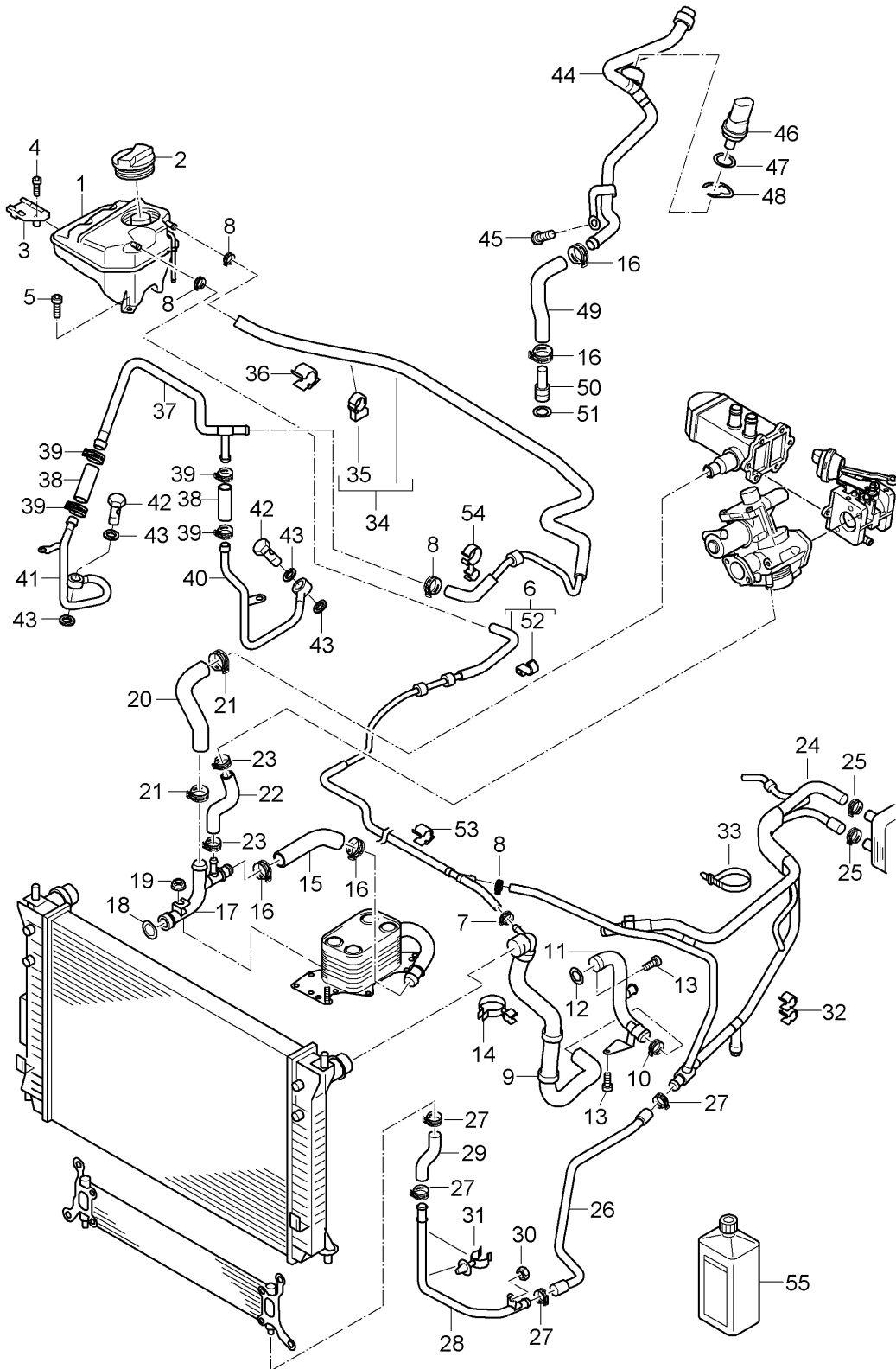
Model: 9PA108

Model life 2007>>2010

Pos	Part Number	Description	Remark	Qty	Model
(37)	000 043 301 47	Discontinued part Coolant additive	1.0 Ltr.	X	
(37)	000 043 301 13	Discontinued part Coolant additive	20ltr.	X	
(37)	000 043 301 48	Discontinued part Coolant additive	20ltr.	X	
(37)	000 043 305 16	Discontinued part Coolant additive	20ltr.	X	
(37)	000 043 204 39	Cleaning solution See technical information see main group 1 (engine) KD-NR.1901 8/08	20ltr.	X	
(37)	000 043 305 64	Discontinued part Cleaning solution See technical information see main group 1 (engine) KD-NR.1901 8/08	20ltr.	X	

Model: 9PA108

Model life 2007>>2010



Model: 9PA108

Model life 2007>>2010

Pos	Part Number	Description	Remark	Qty	Model
		Coolant cooling system			PR:D50
		Coolant expansion tank			
1	955 106 147 22	Coolant expansion tank		1	
		Discontinued part			
(1)	955 106 147 23	Coolant expansion tank		1	
2	955 106 447 20	Cover		1	
3	955 106 405 01	Bracket		1	
4	N 101 244 08	Hexagon socket head bolt (combi)	M6X20	1	
5	N 908 913 02	Hexagon socket oval head bolt (combi)	M6X20	1	
6	955 106 277 30	Water hose		1	
		Discontinued part			
(6)	955 106 277 31	Water hose		1	
7	N 907 702 01	Spring band clamp	B17X12	1	
8	N 906 867 01	Spring band clamp	14X12	4	
9	955 106 632 30	Water hose		1	
10	N 906 872 01	Spring band clamp	40X12	1	
11	955 106 071 00	Coolant pipe		1	
12	N 902 753 02	O-ring	32X3	1	
13	N 104 514 05	Oval hexagon socket head bolt	M6X16	3	
14	N 106 668 01	Double hose holder	14-22X19-33	1	
		No longer use the part here			
(14)	N 106 668 02	Double hose holder	14-22X19-33	1	
15	955 106 373 00	Water hose		1	
16	N 102 020 01	Ear crimp hose clamp	24,1X7X0,6	4	
17	955 106 063 00	Coolant pipe		1	
18	N 903 653 04	O-ring	20X3	1	
19	N 904 880 05	hex. nut with washer	M6	1	
20	955 106 103 00	Water hose		1	
21	N 904 095 01	Ear crimp hose clamp	28,6X7X0,6	2	
22	955 106 104 00	Water hose		1	
23	N 102 334 01	Ear crimp hose clamp	16,2X7X0,6	2	
24	955 106 396 00	Water hose		1	
25	N 909 264 01	Spring band clamp	19X12	2	
26	955 106 396 10	Water hose		1	
27	N 906 869 01	Spring band clamp	B23X12	4	
28	955 106 265 00	Coolant pipe		1	
29	955 106 396 20	Water hose		1	
30	N 011 006 36	Hexagon nut	M6	1	
31	955 628 261 00	Hose bracket	13-16X6,5	2	
32	955 106 422 00	Line holder		1	
33	955 606 838 00	Cable ties	4,5X200	1	
34	955 106 061 20	Water hose		1	
35	955 110 423 00	Line holder		1	
36	N 908 493 01	Clip	13X18X0,5	1	
37	955 106 286 00	Water hose		1	
38	955 106 255 00	Water hose		2	
39	N 102 334 01	Ear crimp hose clamp	16,2X7X0,6	4	
40	955 106 398 00	Coolant pipe		1	
41	955 106 399 00	Coolant pipe		1	
42	N 910 438 01	Banjo bolt	8	2	
43	N 013 807 6	seal ring	8X11,5	4	
44	955 106 465 00	Coolant pipe heater		1	
45	N 104 056 04	Oval hexagon socket head bolt	M6X14	1	
46	955 106 125 01	Temperature sensor		1	
47	N 903 168 01	O-ring	19,6X3,65	1	
48	955 106 143 00	retaining spring		1	
49	955 106 473 00	Water hose heater		1	
50	955 106 133 10	Connector union heater		1	

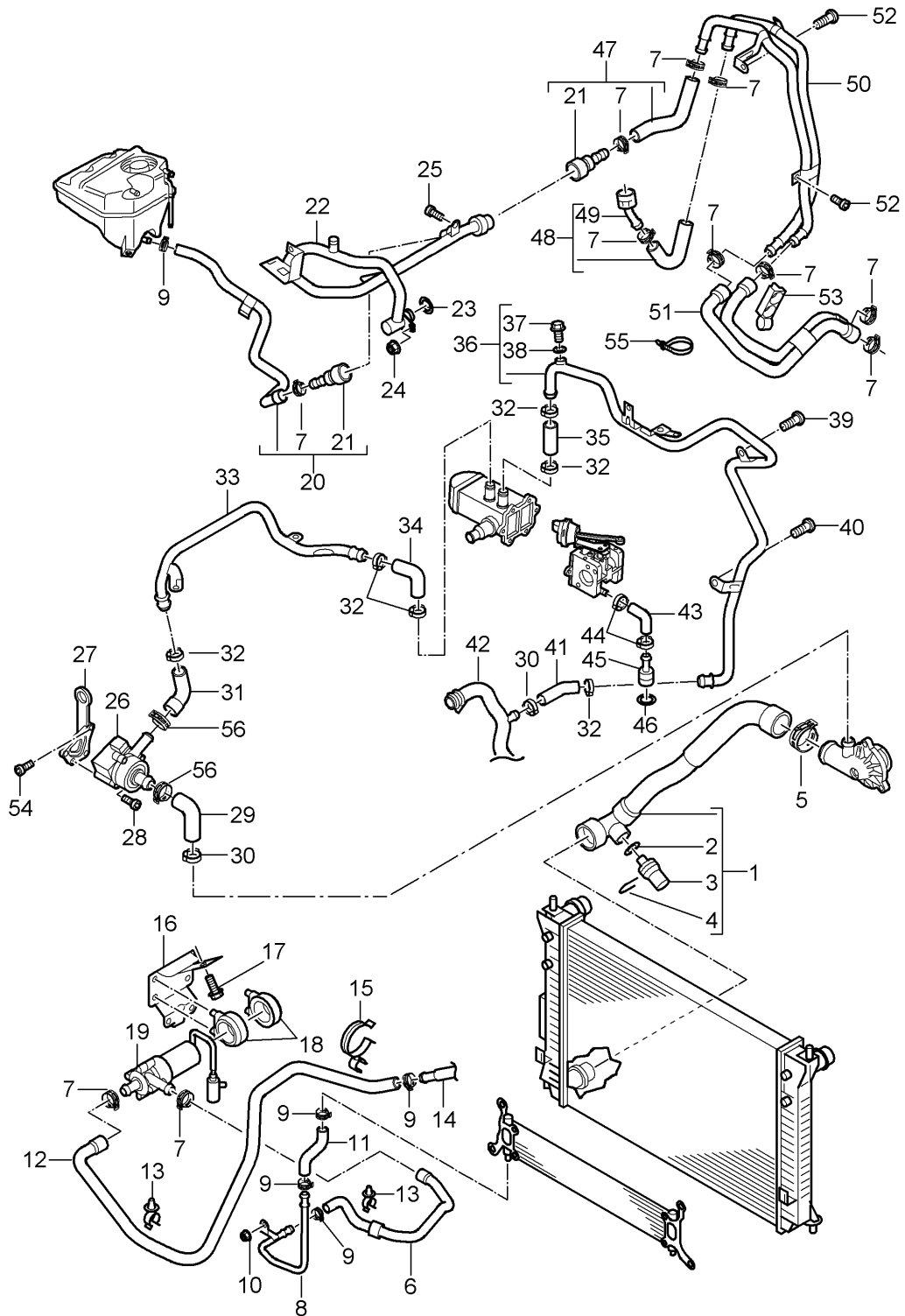
Model: 9PA108

Model life 2007>>2010

Pos	Part Number	Description	Remark	Qty	Model
51	N 908 091 02	O-ring	16X2	1	
52	955 106 525 00	Hose bracket		1	
53	955 106 495 10	Clip		4	
54	955 106 694 00	Line holder		1	
55	000 043 301 12	Coolant additive Discontinued part	1.0 Ltr.	X	
(55)	000 043 301 47	Coolant additive discontinued part	1.0 Ltr.	X	
(55)	000 043 305 15	Coolant additive	1.0 Ltr.	X	
(55)	000 043 301 13	Coolant additive Discontinued part	20ltr.	X	
(55)	000 043 301 48	Coolant additive Discontinued part	20ltr.	X	
(55)	000 043 305 16	Coolant additive	20ltr.	X	
(55)	000 043 204 39	Cleaning solution See technical information see main group 1 (engine) KD-NR.1901 8/08	20ltr.	X	
(55)	000 043 305 64	Discontinued part Cleaning solution See technical information see main group 1 (engine) KD-NR.1901 8/08	20ltr.	X	

Model: 9PA108

Model life 2007>>2010



Model: 9PA108

Model life 2007>>2010

Pos	Part Number	Description	Remark	Qty	Model
		Water cooling 4 Return-side cooling			PR:D50
1	955 106 633 30	Water hose		1	
2	N 903 168 01	O-ring 19,6 X 3,6		1	
3	955 106 125 01	Temperature sensor		1	
4	955 106 143 00	retaining spring		1	
5	N 909 265 01	Spring band clamp B 47 X 12		1	
6	955 106 358 00	Water hose		1	
7	N 906 870 01	Spring band clamp B 27 X 12		11	
8	955 106 266 00	Coolant pipe		1	
9	N 906 869 01	Spring band clamp B 23 X 12		5	
10	N 011 006 36	Hexagon nut M 6		1	
11	955 106 396 30	Water hose		1	
12	955 106 359 00	Water hose		1	
13	955 628 261 00	Hose bracket 13 - 16 X 6,5		2	
14		Water hose see illustration, item:	105-040,24	1	
15	N 106 894 01	Bracket A 14-22 X C01-48		1	
16	955 106 579 00	Bracket for additional coolant pump		1	
17	N 019 526 9	Hex collared bolt M 8 X 22		1	
18	955 106 209 00	Rubber bush		2	
19	955 106 561 10	Coolant pump Appendix		1	
20	955 106 261 10	Water hose		1	
21	955 106 291 00	Adapter		2	
22	955 106 475 00	Coolant pipe D >> - MJ 2009		1	
(22)	955 106 475 01	Coolant pipe D - MJ 2010>> Discontinued part		1	
(22)	955 106 475 02	Coolant pipe D - MJ 2010>>		1	
23	N 904 650 03	O-ring 23 X 2,6		1	
24	N 904 880 05	hex. nut with washer M 6		1	
25	N 101 703 02	round hd. screw M 6 X 10		1	
26	955 106 312 00	Coolant pump Appendix		1	
27	955 104 305 20	Transportation shackle		1	
28	WHT 002 306	self-tapping screw 3,5 X 12		3	
29	955 106 302 00	Water hose		1	
30	N 904 095 01	Ear crimp hose clamp 28,6 X 0,6 X 7		2	
31	955 106 304 00	Water hose		1	
32	N 102 020 01	Ear crimp hose clamp 24,1 X 7 X 0,6		6	
33	955 106 564 00	Coolant pipe		1	
34	955 106 305 00	Water hose		1	
35	955 106 306 00	Water hose		1	
36	955 106 507 00	Coolant pipe		1	
37	N 904 832 04	Hexagon bolt		1	

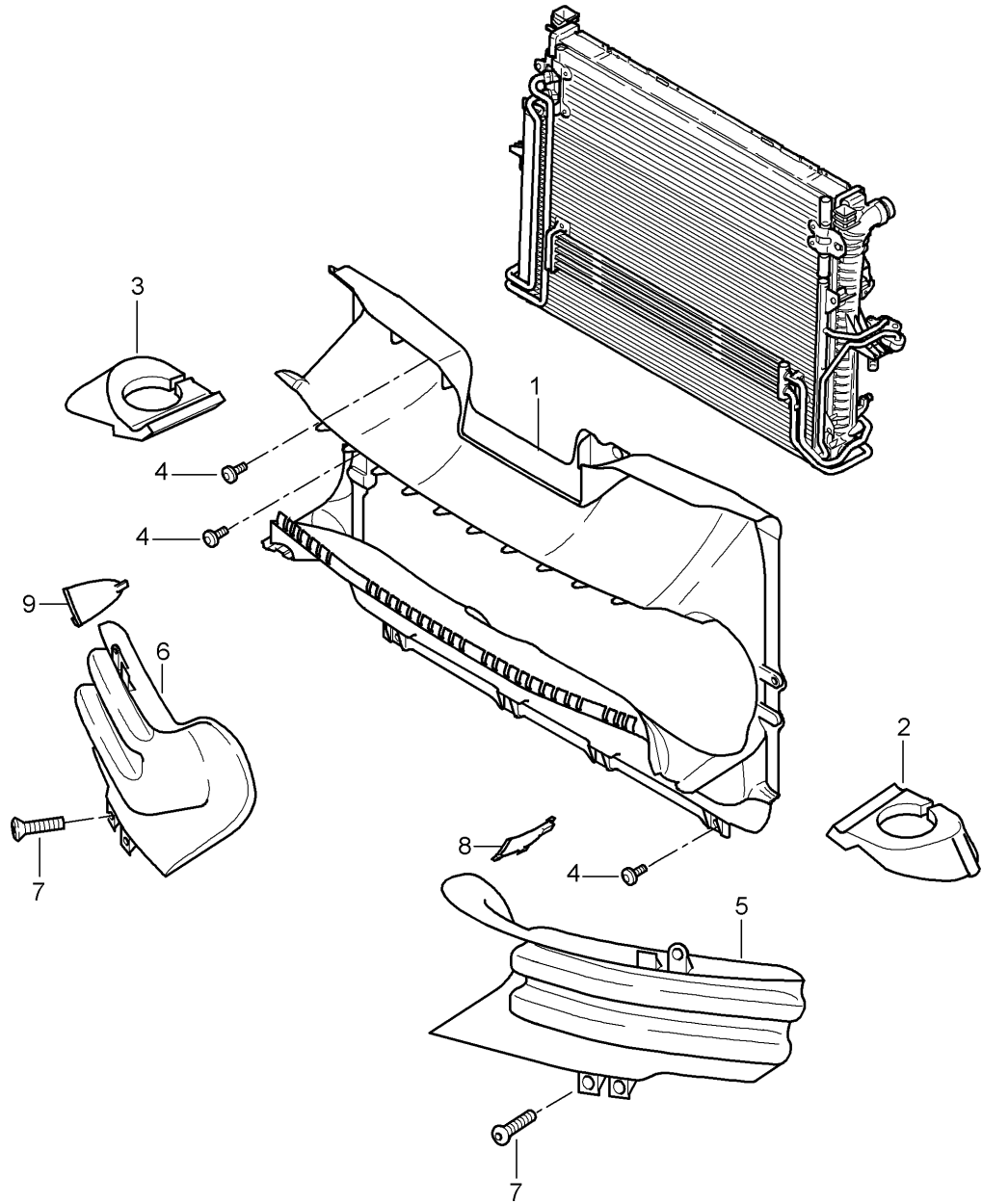
Model: 9PA108

Model life 2007>>2010

Pos	Part Number	Description	Remark	Qty	Model
38	N 013 804 2	M 6 X 8 seal ring		1	
39	N 106 320 02	A 6 X 10 Oval socket head bolt with hex drive		1	
40	N 101 703 02	M 6 X 16 round hd. screw		1	
41	955 106 307 00	M 6 X 10 Coolant hose with non-return hose		1	
42		Coolant pipe see illustration, item:	105-040,11	1	
43	955 106 308 00	Water hose		1	
44	N 102 334 01	Ear crimp hose clamp 16,2 X 7 X 0,6		2	
45	955 106 218 00	Connector union		1	
46	N 904 520 03	O-ring 11 X 3		1	
47	955 106 573 00	Water hose		1	
48	955 106 574 00	Water hose		1	
49	955 106 291 10	Adapter		1	
50	955 106 310 10	Coolant pipe		1	
51	955 106 074 10	Water hose		1	
52	N 910 073 01	Socket head bolt with inner multipoint head (Kombi) M 6 X 15		2	
53	955 106 629 00	Hose bracket		1	
54	N 105 173 04	Socket head bolt with multi- point inner drive, self-lock. M 8 X 22		2	
55	N 909 377 02	Cable ties 4,6 X 193		1	
56	N 906 870 01	Spring band clamp B 27 X 12		2	

Model: 9PA108

Model life 2007>>2010



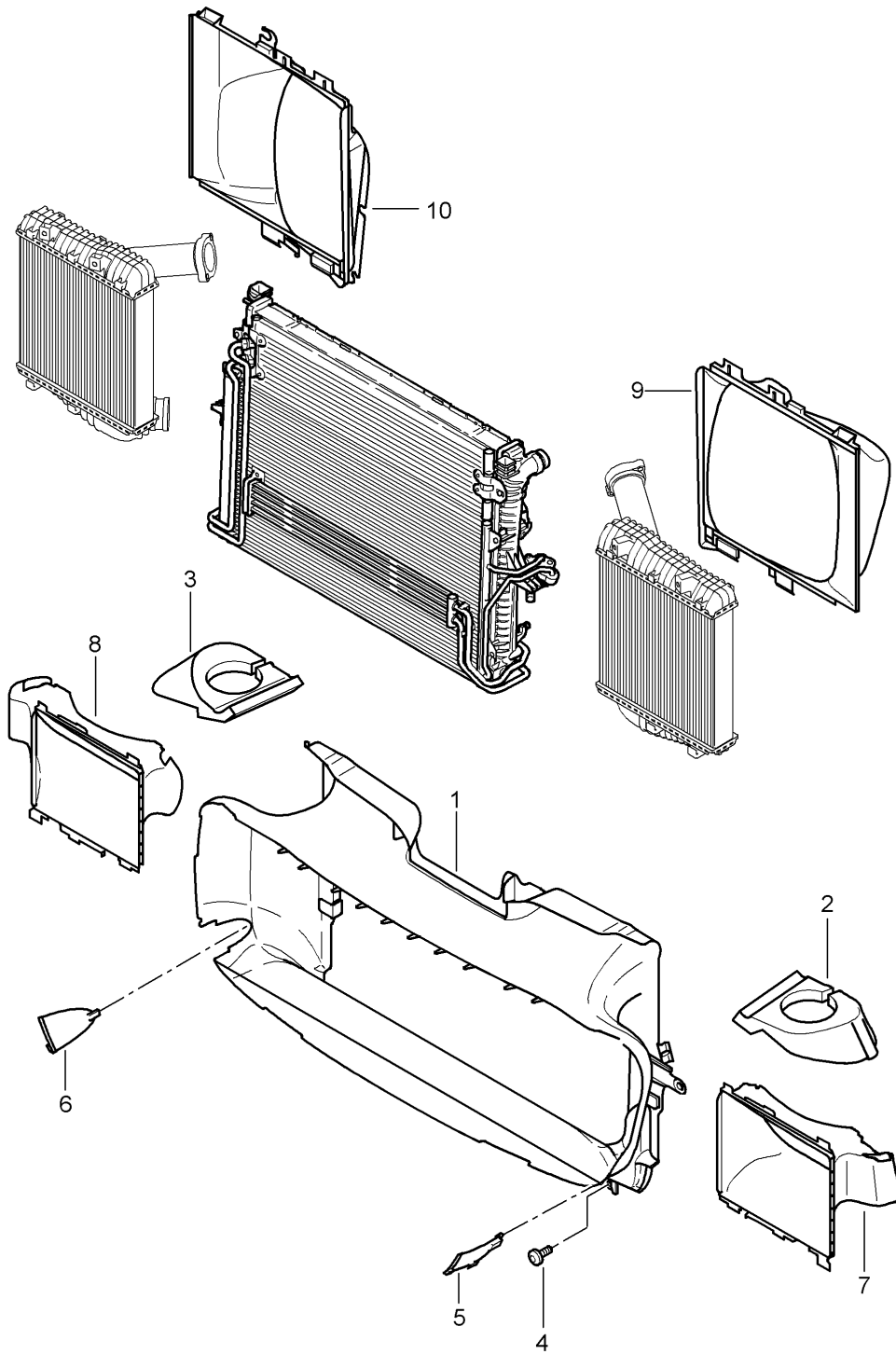
Model: 9PA108

Model life 2007>>2010

Pos	Part Number	Description	Remark	Qty	Model
1	955 575 325 00	Cooling air duct			PR:D5V,D5X
(1)	955 575 325 00	Air guide	front	1	PR:D5V,D5X
(1)	955 575 325 00	Air guide	front	1	PR:D5V,E2D
(1)	955 575 325 50	Air guide	front	1	PR:D5V,E0W, E1T
2	955 110 145 00	Gaiter	left	1	PR:D5V,D5X
(2)	955 110 145 50	Gaiter	left	1	PR:D5V,E0W, E1T
3	955 110 146 00	Gaiter	right	1	PR:D5V
(3)	955 110 146 50	Gaiter	right	1	PR:D5V,E0W, E1T
(3)	955 110 146 10	Gaiter	right	1	PR:D5X
4	N 910 343 01	self-tapping screw M 6 X 20		6	
5	955 575 333 10	Air guide	left side	1	
6	955 575 334 10	Air guide	right side	1	
7	N 908 082 01	Hexagon socket head panel bolt 6 X 18,5		2	
8	955 575 423 50	Cover	left	1	PR:D5V,E0W, E1T
		Air guide	front		
9	955 575 424 50	Cover	right	1	PR:D5V,E0W, E1T
		Air guide	front		

Model: 9PA108

Model life 2007>>2010



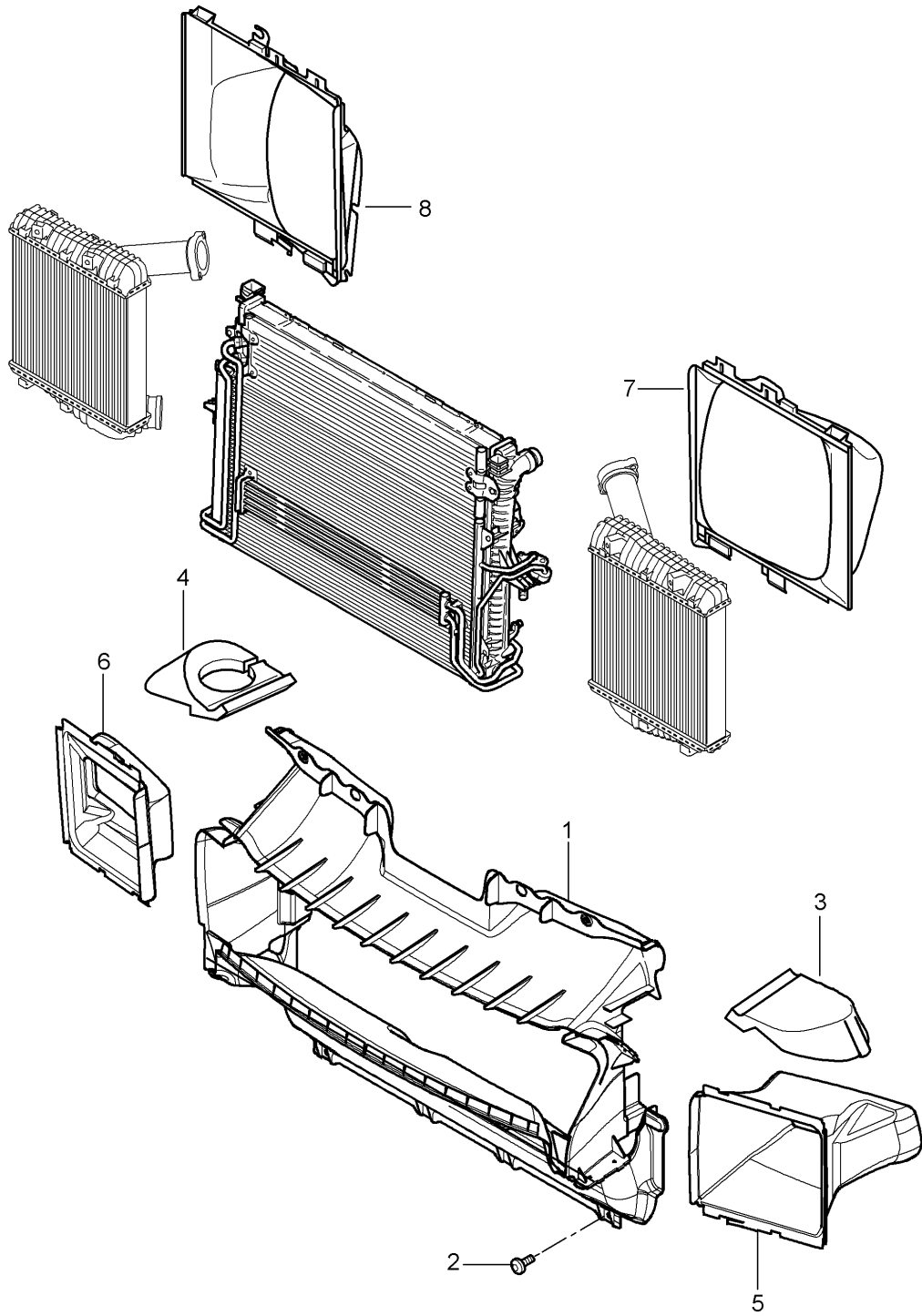
Model: 9PA108

Model life 2007>>2010

Pos	Part Number	Description	Remark	Qty	Model
		Cooling air duct			PR:D5Z
1	955 575 325 50	Air guide	front	1	
2	955 110 145 50	Gaiter	left	1	
3	955 110 146 50	Gaiter	right	1	
4	N 910 343 01	self-tapping screw 6 X 20		6	
5	955 575 423 50	Cover	left	1	
6	955 575 424 50	Cover	right	1	
7	955 575 571 50	Air guide	left	1	
8	955 575 572 50	Air guide	right	1	
9	955 575 339 50	Air guide	left	1	
10	955 575 340 50	Air guide	right	1	

Model: 9PA108

Model life 2007>>2010



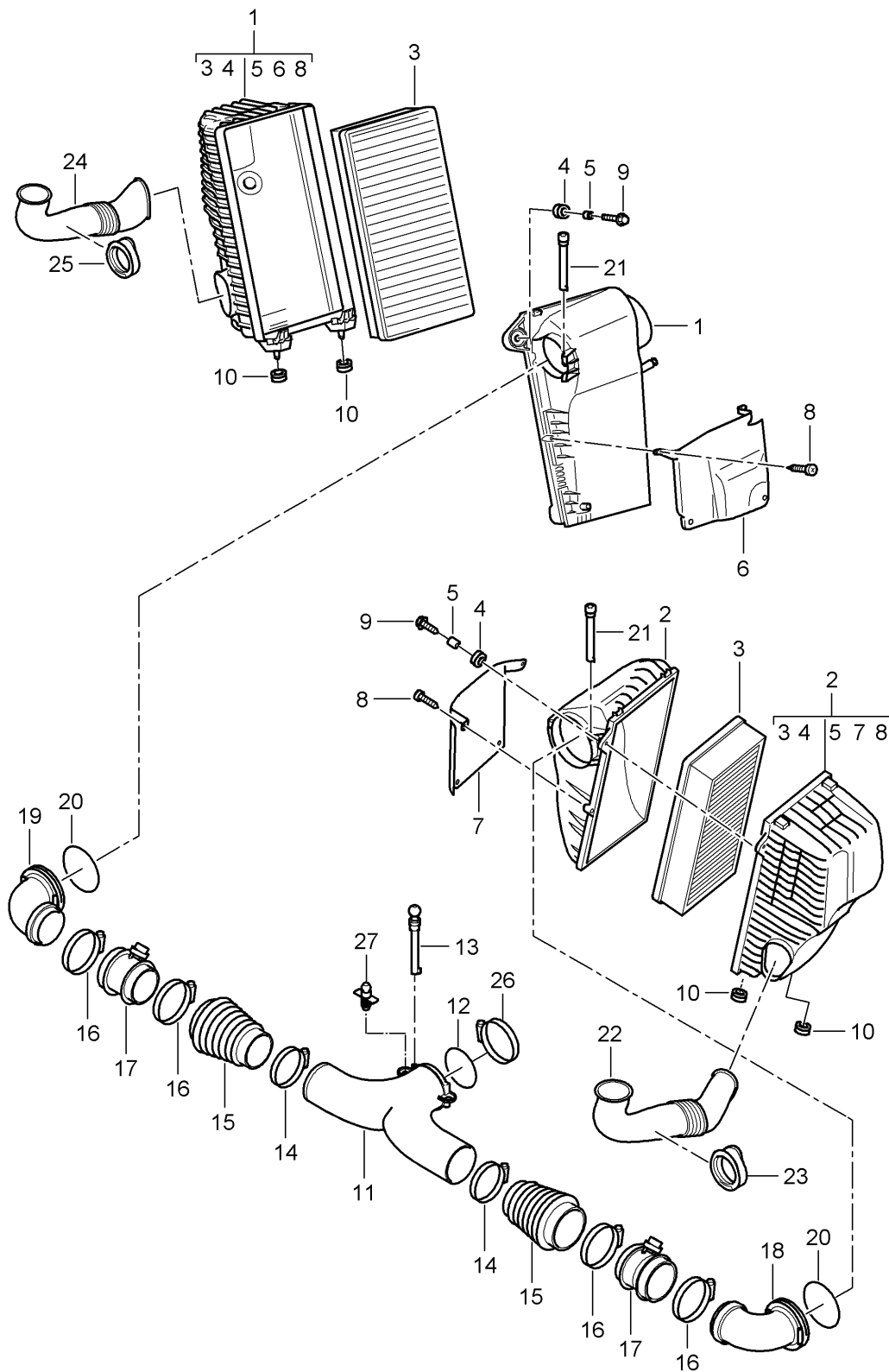
Model: 9PA108

Model life 2007>>2010

Pos	Part Number	Description	Remark	Qty	Model
		Cooling air duct			PR:D50
1	955 575 325 60	Air guide	front	1	
2	N 910 343 01	self-tapping screw 6 X 20		4	
3	955 110 145 60	Gaiter	left	1	
4	955 110 146 00	Gaiter	right	1	
5	955 575 571 60	Air guide	left	1	
6	955 575 572 60	Air guide	right	1	
7	955 575 339 00	Air guide	left	1	
8	955 575 340 00	Air guide	right	1	

Model: 9PA108

Model life 2007>>2010



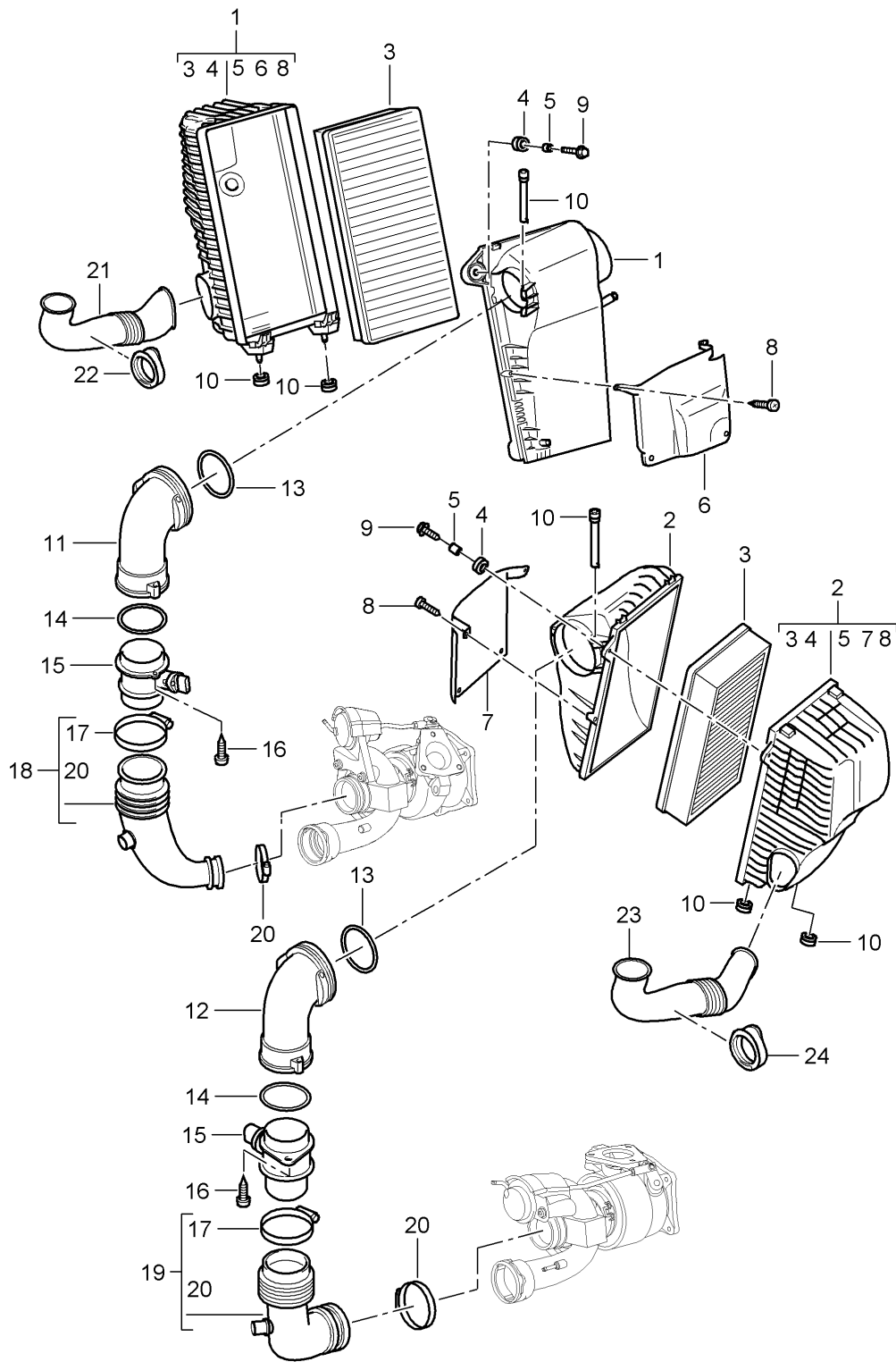
Model: 9PA108

Model life 2007>>2010

Pos	Part Number	Description	Remark	Qty	Model
1	955 110 022 10	Air cleaner system			PR:D5V
(1)	955 110 022 00	Air filter	right	1	PR:1L0
2	955 110 021 10	Air filter	right	1	PR:1L2
(2)	955 110 021 00	Air filter	left	1	PR:1L0
3	955 110 131 00	Air filter element	left	1	PR:1L2
(3)	955 110 131 10	Air filter element		2	PR:1L0
4	955 110 669 00	Grommet		2	PR:1L2
5	955 110 734 00	spacer bush		2	
6	955 110 208 00	Guard plate	right	1	
7	955 110 207 00	Guard plate	left	1	
8	N 909 855 01	countersunk multi-point socket head bolt KA 50 X 12		8	
9	N 101 602 05	Hex collared bolt M 6 X 25		2	
10	955 110 669 00	Grommet		4	
11	955 110 046 10	intake air distributor		1	PR:-E0W, -E2D,-E1T
(11)	955 110 046 20	intake air distributor		1	PR:E0W,E2D, E1T
12	N 910 171 01	O-ring 87 X 4	also use: 955 110 725 00	2	E1T
13	955 110 671 00	Pin Locking mechanism		1	PR:E0A
(13)	955 110 671 01	No longer use the part here Pin Locking mechanism		2	PR:E0A
14	N 024 523 2	Hose clamp A-50-70 X 13 X 0,5		2	
15	955 110 191 10	Bellows		2	
16	N 024 526 4	Hose clamp A-70-90 X 13 X 0,5		4	
17	955 606 123 40	Air mass meter		2	
18	955 110 533 20	intake manifold	left	1	
19	955 110 534 20	intake manifold	right	1	
20	N 909 643 01	O-ring 91 X 6		2	
21	955 110 269 00	Pin Locking mechanism		4	
22	955 110 103 10	intake manifold	left	1	
23	955 110 347 10	Thrust ring	left	1	
24	955 110 104 00	intake manifold	right	1	
25	955 110 348 00	Thrust ring	right	1	
26	N 024 508 5	Hose clamp A 80 - 100		1	PR:E0W,E2D, E1T
27	955 110 725 00	Pin		2	PR:E0W,E2D, E1T

Model: 9PA108

Model life 2007>>2010



Model: 9PA108 Model life 2007>>2010

Pos	Part Number	Description	Remark	Qty	Model
1	955 110 022 55	Air cleaner system			PR:D5Z
(1)	955 110 022 50	Air filter	right	1	PR:1L0
2	955 110 021 55	Air filter	right	1	PR:1L2
(2)	955 110 021 50	Air filter	left	1	PR:1L0
3	955 110 131 00	Air filter element	left	1	PR:1L2
(3)	955 110 131 10	Air filter element		2	PR:1L0
4	955 110 669 00	Grommet		2	PR:1L2
5	955 110 734 00	spacer bush		2	
6	955 110 208 00	Guard plate	right	1	
7	955 110 207 00	Guard plate	left	1	
8	N 909 855 01	countersunk multi-point socket head bolt KA 50 X 12		8	
9	N 101 602 05	Hex collared bolt M 6 X 25		2	
10	955 110 269 00	Pin		4	
11	955 110 102 00	Locking mechanism intake manifold	right	1	
12	955 110 101 00	intake manifold	left	1	
13	N 909 643 01	O-ring 91 X 6		2	
14	955 110 646 10	O-ring 79 X 6		2	
15	997 606 125 00	Air mass meter		2	
16	N 104 197 02	oval head panel screw 6 X 22		4	
17	N 024 526 4	Hose clamp A-70-90 X 13 X 0.5		2	
18	955 110 222 30	intake hose	right	1	
(18)	958 110 156 50	Discontinued part suction line	right	1	
19	955 110 221 30	intake hose	left	1	
(19)	958 110 155 50	Discontinued part suction line	left	1	
20	N 024 523 2	Hose clamp A-50-70 X 13 X 0.5		2	
21	955 110 104 00	intake manifold	right	1	
22	955 110 348 00	Thrust ring	right	1	
23	955 110 103 10	intake manifold	left	1	
24	955 110 347 10	Thrust ring	left	1	

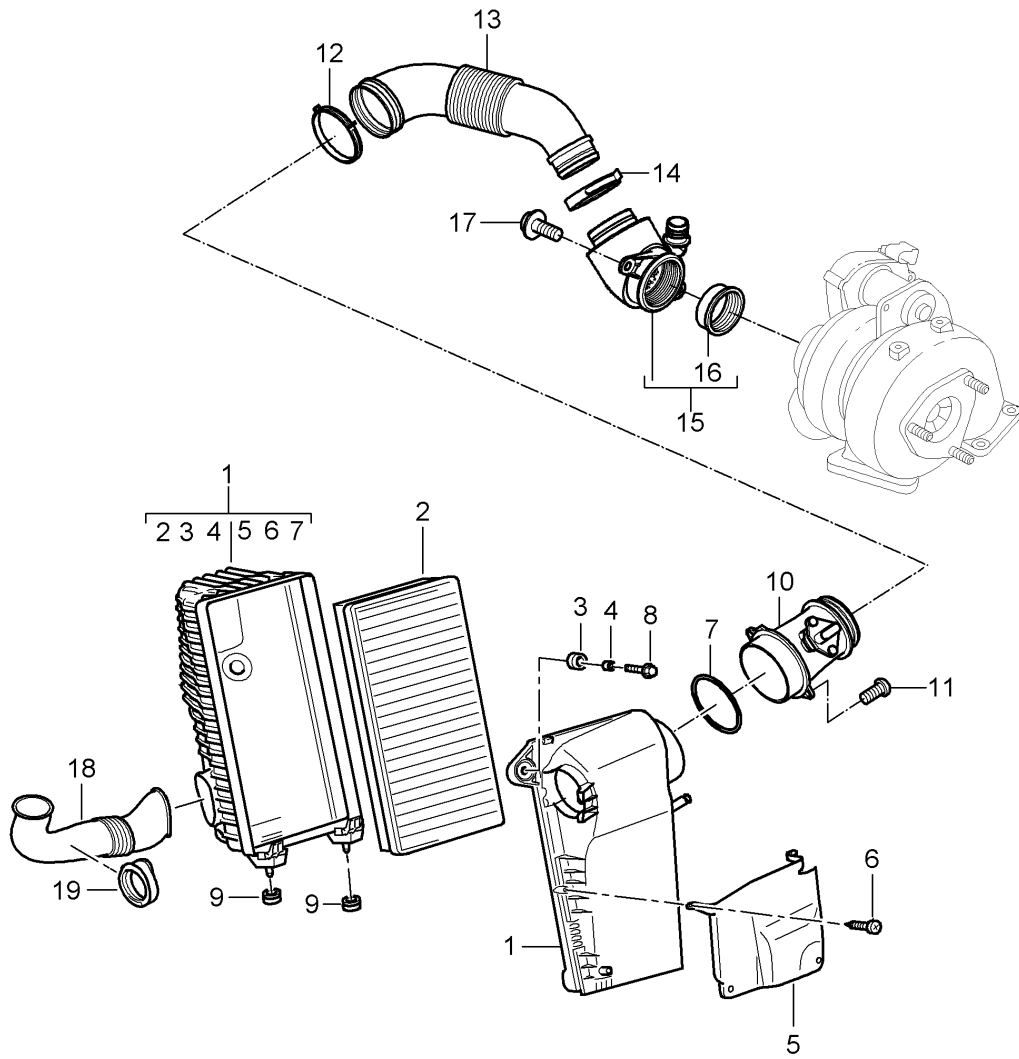
Model: 9PA108

Model life 2007>>2010

Pos	Part Number	Description	Remark	Qty	Model
		Air cleaner system Simple			PR:D5X
1	955 110 021 30	Air filter		1	PR:1L0
(1)	955 110 021 20	Air filter		1	PR:1L2
2	955 110 131 00	Air filter element		1	PR:1L0
(2)	955 110 131 10	Air filter element		1	PR:1L2
3	955 110 669 00	Grommet		1	
4	955 110 734 00	spacer bush		1	
5	N 101 602 05	Hex collared bolt M 6 X 25		1	
6	955 110 669 00	Grommet		2	
7	955 110 223 00	Connecting pipe		1	
8	N 024 518 4	Hose clamp A-70-90 X 9 X 0,5		2	
9	955 606 123 35	Air mass meter Discontinued part		1	
(9)	955 606 123 36	Air mass meter		1	
10	955 110 533 10	intake manifold		1	
11	N 909 643 01	O-ring 91 X 6		1	
12	N 909 219 01	O-ring 85 X 6		1	
13	955 110 269 00	Pin Locking mechanism		2	
14	955 110 103 10	intake manifold		1	
15	955 110 347 10	Thrust ring		1	

Model: 9PA108

Model life 2007>>2010



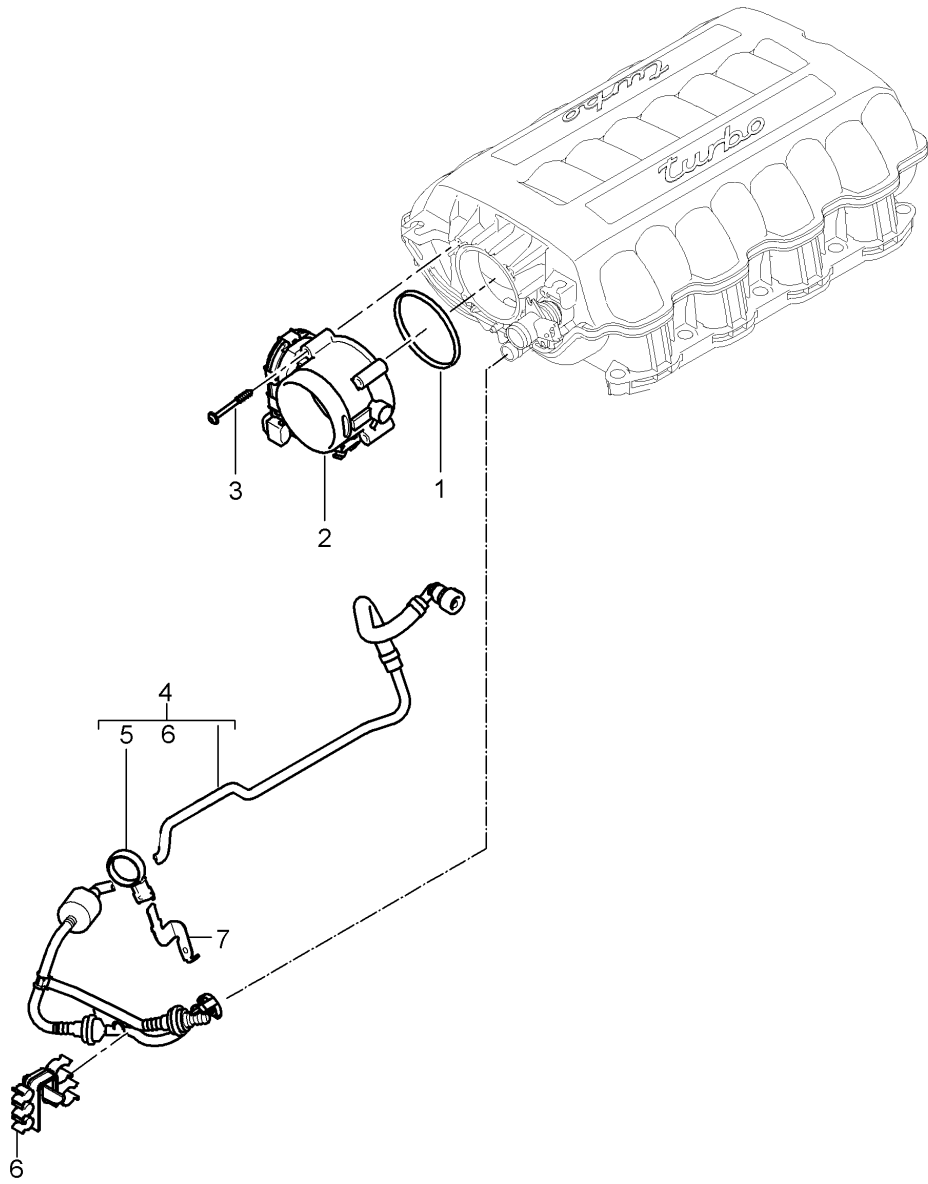
Model: 9PA108

Model life 2007>>2010

Pos	Part Number	Description	Remark	Qty	Model
		Air cleaner system Simple			PR:D50
1	955 110 022 20	Air filter		1	PR:1L0
(1)	955 110 022 30	Air filter		1	PR:1L2
2	955 110 131 00	Air filter element		1	PR:1L0
(2)	955 110 131 10	Air filter element		1	PR:1L2
3	955 110 669 00	Grommet		1	
4	955 110 734 00	spacer bush		1	
5	955 110 208 00	Guard plate		1	
6	N 909 855 01	countersunk multi-point socket head bolt KA 50 X 12		4	
7	N 909 643 01	O-ring 91 X 6		1	
8	N 101 602 05	Hex collared bolt M 6 X 25		1	
9	955 110 669 00	Grommet		2	
10	955 606 123 60	Air mass meter		1	
11	N 104 197 02	oval head panel screw 6 X 22		2	
12	N 906 564 01	Spring band clamp A 80 X 12		1	
13	955 110 324 00	intake hose		1	
14	N 907 816 01	Spring band clamp A 60 X 12		1	
15	955 110 055 10	pulsation damper		1	
(15)	955 110 055 11	No longer use the part here pulsation damper		1	
16	958 110 493 00	Seal		1	
(16)	958 110 493 01	No longer use the part here Seal		1	
17	N 909 589 02	Hexagon socket oval head bolt (combi) M 6 X 16		2	
18	955 110 104 00	intake manifold		1	
19	955 110 348 00	Thrust ring		1	

Model: 9PA108

Model life 2007>>2010

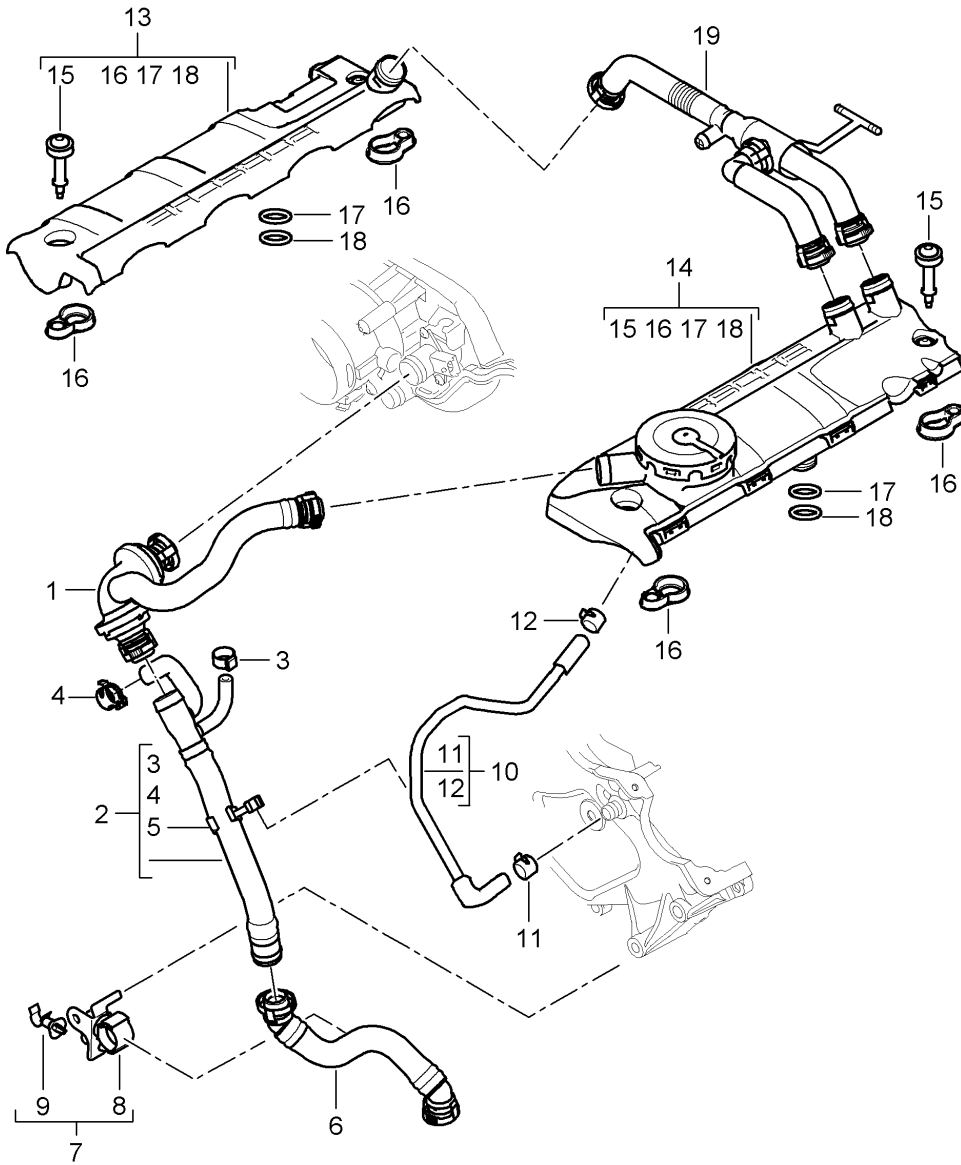


Model: 9PA108 Model life 2007>>2010

Pos	Part Number	Description	Remark	Qty	Model
		throttle valve adapter			4801,4851
1	948 110 144 02	Tank ventilation		1	4801,4851+
(1)	948 110 144 20	Seal		1	PR:E0A 4801+
(1)	948 110 144 20	Seal		1	PR:E0W,E2D, E1T 4851+
2	948 605 115 03	throttle valve adapter		1	PR:E81,E8A 4801,4851+
(2)	997 605 116 01	throttle valve adapter		1	PR:E0A 4801+
(2)	948 605 116 00	throttle valve adapter		1	PR:E0W,E2D, E1T 4851+
3	999 919 005 01	fillister hd. bolt		4	PR:E81,E8A 4801
(3)	999 919 005 01	6 X 50 fillister hd. bolt		4	4851+
(3)	948 110 411 00	6 X 50 fillister hd. bolt		4	PR:E0A 4851+
4	948 110 020 52	6 X 60 Breather line		1	PR:E81,E8A 4851
(4)	948 110 020 54	Tank ventilation Discontinued part Breather line		1	4851
(4)	948 110 020 02	Tank ventilation Breather line		1	4801
(4)	948 110 020 03	Tank ventilation Discontinued part Breather line		1	4801
5	948 110 221 00	Tank ventilation Thrust ring		1	
6	948 110 030 50	Line holder		1	4851
7	948 110 027 50	Tank ventilation Bracket		1	
(7)	948 110 027 51	Breather line Mount Cover for timing chain Discontinued part Bracket		1	
		Breather line Mount Cover for timing chain			

Model: 9PA108

Model life 2007>>2010



Model: 9PA108 Model life 2007>>2010

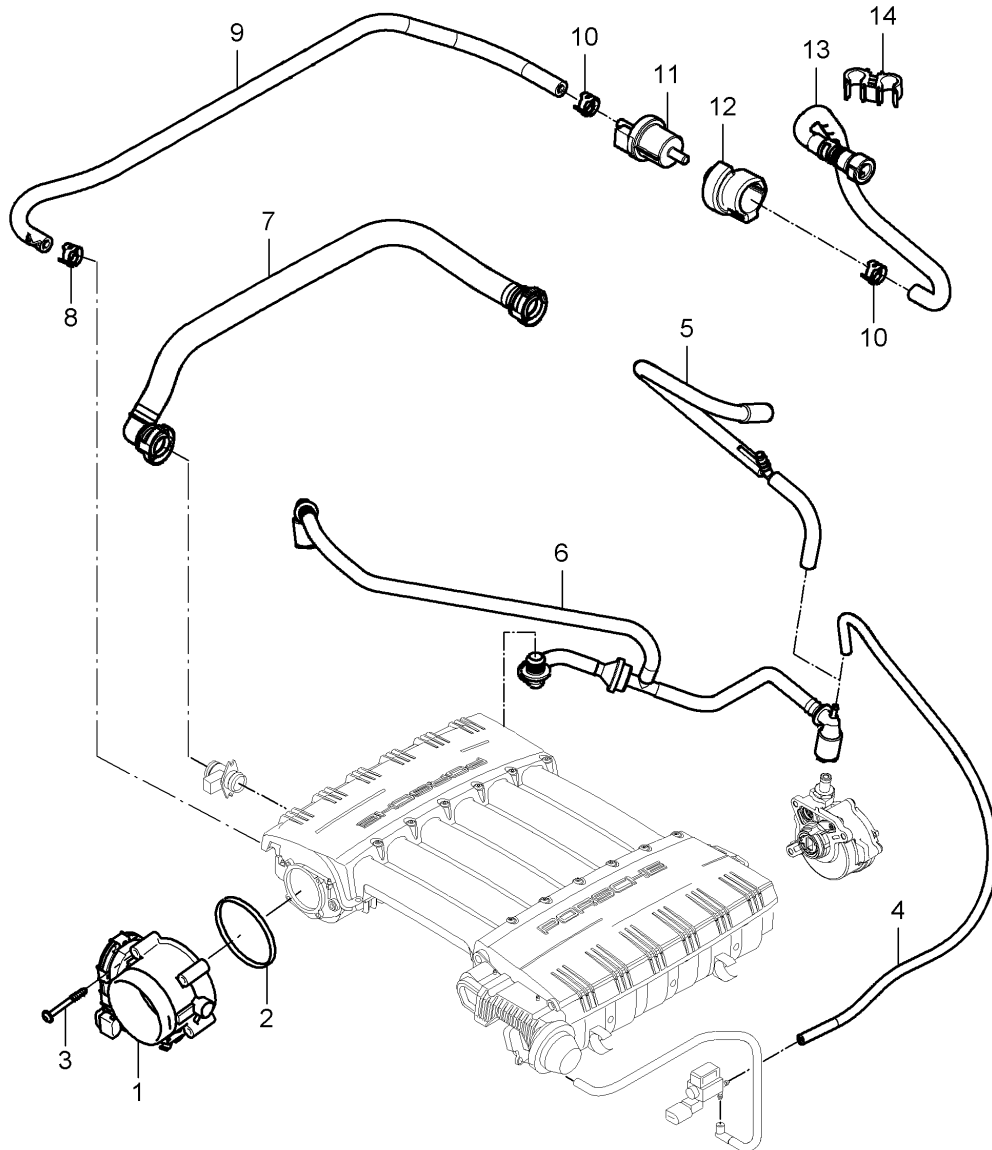
Pos	Part Number	Description	Remark	Qty	Model
		Crankcase housing			4801,4851
		Bleeding			
1	948 107 229 51	Non-return valve		1	4851
(1)	948 107 247 02	Breather line		1	4801
		Crankcase housing			
2	948 107 249 53	Breather line		1	4851
		Crankcase housing			
3	999 512 688 00	Hose clip		1	4851
		10,5 X 11,5			
4	999 512 651 09	Hose clamp		1	4851
		B 15 X 12			
5	999 507 108 40	Line holder		1	4851
		24,5 X 10,5			
6	955 107 251 50	Breather line		1	4851
		Crankcase housing			
7	948 107 029 52	Bracket		1	4851
		Breather line			
(7)	948 107 029 53	Bracket		1	4851
		Breather line			
		No longer use the part here			
8	999 507 370 40	Hose bracket		1	4851
		23 - A			
9	999 507 611 40	Hose bracket		1	4851
		6,0 - 6,5			
10	948 105 245 51	Breather line		1	4851
(10)	948 105 245 04	Breather line		1	4801
11	999 512 654 09	Hose clamp		1	
		B 21 X 12			
12	999 512 652 09	Hose clamp		1	4851
		B 19 X 12			
13	948 107 235 52	Air/oil separator		1	4851+
		Cylinders 1 - 4			PR:E0A
		silver			
		D >> - MJ 2008			
(13)	948 107 235 52	Air/oil separator		1	4851+
		Cylinders 1 - 4			PR:E81
		silver			
		D - MJ 2008>> - MJ 2008			
(13)	948 107 235 53	Air/oil separator		1	4851+
		Cylinders 1 - 4			PR:E0A
		Black			
		D - MJ 2009>>			
(13)	948 107 235 52	Air/oil separator		1	4851+
		Cylinders 1 - 4			PR:E81,E8A
		silver			
		D - MJ 2009>>			
(13)	948 107 235 01	Air/oil separator		1	4801
		Cylinders 1 - 4			
		silver			
		D >> - MJ 2008			
(13)	948 107 235 02	Air/oil separator		1	4801
		Cylinders 1 - 4			
		Black			
		D - MJ 2009>>			
14	948 107 236 52	Air/oil separator		1	4851+
		Cylinders 5 - 8			PR:E0A
		silver			
		D >> - MJ 2008			
(14)	948 107 236 52	Air/oil separator		1	4851+
		Cylinders 5 - 8			PR:E81
		silver			
		D - MJ 2008>> - MJ 2008			
(14)	948 107 236 53	Air/oil separator		1	4851+

Model: 9PA108 Model life 2007>>2010

Pos	Part Number	Description	Remark	Qty	Model
		Cylinders 5 - 8 Black			PR:E0A
(14)	948 107 236 52	D - MJ 2009>> Air/oil separator Cylinders 5 - 8 silver		1	4851+ PR:E81,E8A
(14)	948 107 236 01	D - MJ 2009>> Air/oil separator Cylinders 5 - 8 silver		1	4801
(14)	948 107 236 02	D >> - MJ 2008 Discontinued part Air/oil separator Cylinders 5 - 8 silver		1	4801
(14)	948 107 236 03	D >> - MJ 2008 Air/oil separator Cylinders 5 - 8 Black		1	4801
15	948 107 435 50	D - MJ 2009>> Securing element		4	4851
(15)	948 107 435 00	Securing element		4	4801
16	948 107 437 50	Seal		4	4851
(16)	948 107 437 00	Seal		4	4801
17	948 107 439 50	O-ring 20 X 4		2	4851
(17)	948 107 439 00	O-ring 20 X 3,8		2	4801
18	948 107 439 60	O-ring 20 X 4		2	4851
(18)	948 107 439 10	O-ring 20 X 3,8		2	4801
19	948 107 245 53	Breather line		1	4851
(19)	948 107 245 02	Breather line		1	4801

Model: 9PA108

Model life 2007>>2010



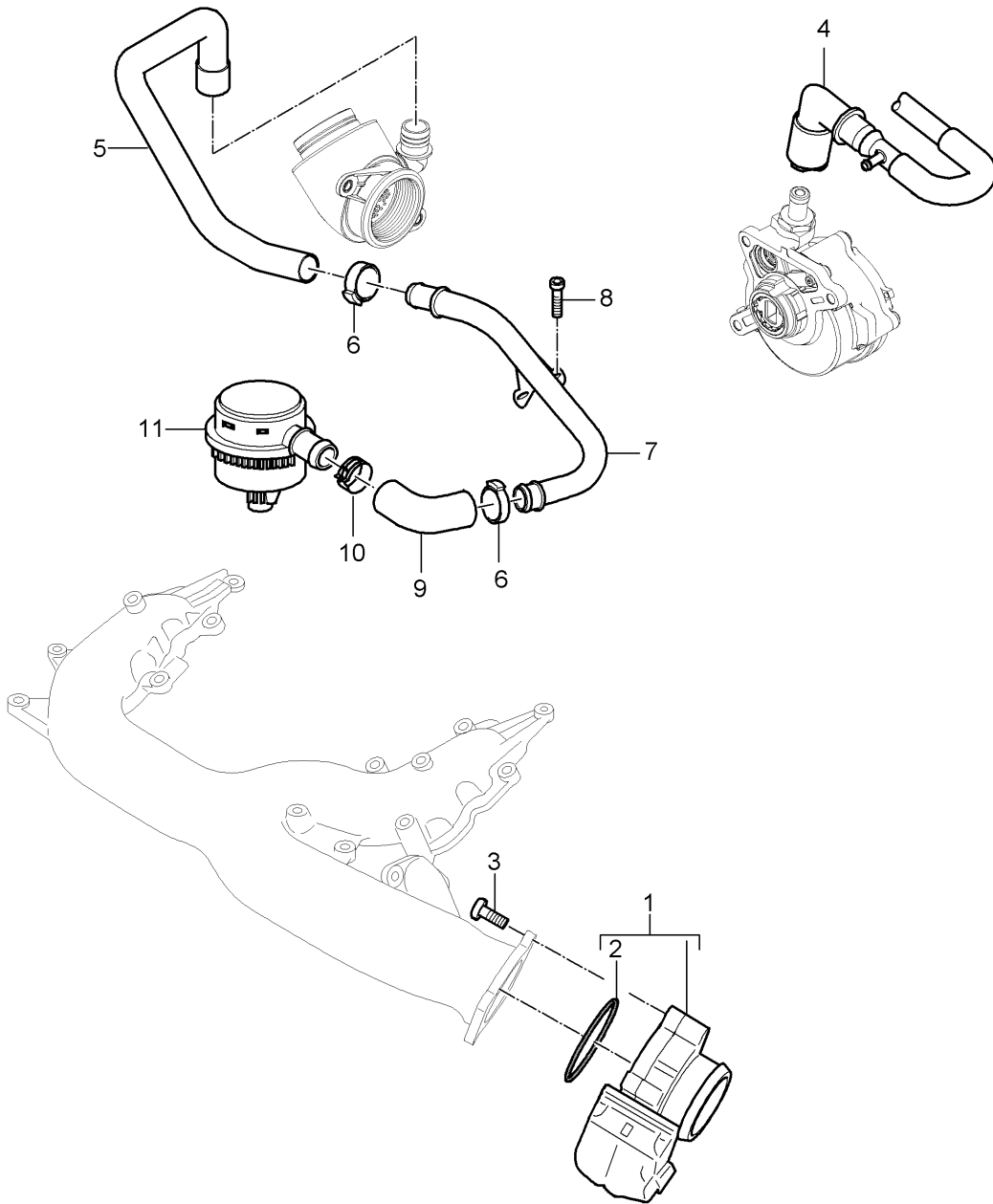
Model: 9PA108

Model life 2007>>2010

Pos	Part Number	Description	Remark	Qty	Model
		throttle valve adapter Tank ventilation Breather line Crankcase housing			5501
1	997 605 115 01	throttle valve adapter		1	
2	997 110 319 00	Seal		1	
3	999 919 005 01	fillister hd. bolt 6 X 50		4	
4	955 110 358 00	Vacuum line		1	
6		Vacuum line see illustration, item:	604-000,12	1	
7	955 107 247 00	Breather line Crankcase housing		1	
8	999 512 651 09	Hose clamp B 15 X 12		1	
9	955 110 220 00	Connecting hose		1	
10	N 906 867 01	Spring band clamp B 14 X 12		2	
11	955 605 241 00	Valve		1	
12	955 110 321 00	Thrust ring		1	
13	955 110 225 00	Connecting hose		1	
14	955 110 423 00	Line holder		1	

Model: 9PA108

Model life 2007>>2010

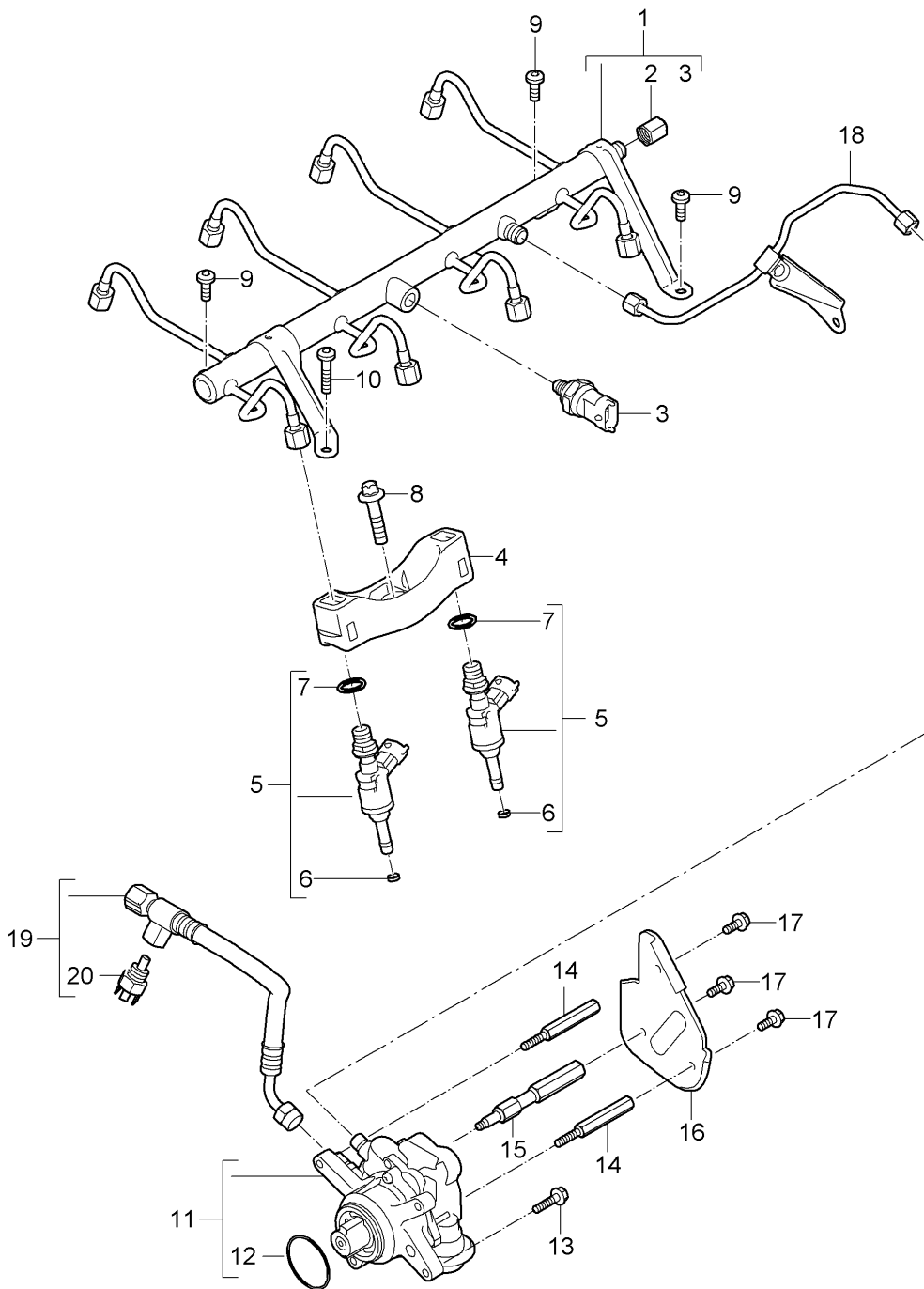


Model: 9PA108 Model life 2007>>2010

Pos	Part Number	Description	Remark	Qty	Model
		throttle valve adapter Breather line Crankcase housing			059D
1	955 605 115 20	throttle valve adapter		1	
(1)	955 605 115 21	Discontinued part throttle valve adapter		1	
(1)	955 605 115 22	Discontinued part throttle valve adapter		1	
2	955 110 144 00	Seal		1	
3	N 910 717 01	Hexagon socket flat head bolt M 6 X 25		3	
4		Vacuum line see illustration, item:	604-000,12	1	
5	955 107 221 01	Vent hose		1	
6	N 904 119 01	Ear crimp hose clamp 27,1 X 7 X 0,6 Discontinued part		2	
(6)	999 512 455 00	Hose clamp 27,1 X 7 X 0,6		2	
7	955 107 227 00	Breather line		1	
8	N 101 148 07	Socket head bolt with hexagon socket head (combination) M 6 X 15		2	
9	955 107 493 00	air hose		1	
10	N 906 870 01	Spring band clamp B 27 X 12		1	
11		oil separator see illustration:	104-020	1	

Model: 9PA108

Model life 2007>>2010



Model: 9PA108

Model life 2007>>2010

Pos	Part Number	Description	Remark	Qty	Model
		Fuel collection pipe high-pressure injector high pressure pump			4801,4851
1	948 110 115 02	Fuel collection pipe		1	4801
(1)	948 110 115 03	No longer use the part here Fuel collection pipe		1	4801
(1)	948 110 115 04	Discontinued part Fuel collection pipe		1	4801
(1)	948 110 115 05	Discontinued part Fuel collection pipe		1	4801
(1)	948 110 115 06	Discontinued part Fuel collection pipe		1	4801
(1)	948 110 115 07	Discontinued part Fuel collection pipe		1	4801
(1)	948 110 115 52	Fuel collection pipe		1	4851
(1)	948 110 115 53	No longer use the part here Fuel collection pipe		1	4851
(1)	948 110 115 54	Discontinued part Fuel collection pipe		1	4851
(1)	948 110 115 55	Discontinued part Fuel collection pipe		1	4851
(1)	948 110 115 56	Discontinued part Fuel collection pipe		1	4851
(1)	948 110 115 57	Discontinued part Fuel collection pipe		1	4851
2	948 110 225 00	Sealing cap		1	
3	948 606 230 00	Pressure sensor		1	
(3)	948 606 230 01	Discontinued part Pressure sensor		1	
(3)	948 606 230 02	Discontinued part Pressure sensor		1	
(3)	948 606 230 03	Discontinued part Pressure sensor		1	
-	999 653 067 40	Connector for Pressure sensor		1	
4	948 110 515 01	Bracket		4	
5	948 605 230 01	high-pressure injector Identification: >> >> blue M >> 838 12236 nach Aufbrauch 948.110.128.30 / AX Use See technical information Service Group 2 KD-NR.2440 30/07		8	4801+ PR:E0A
(5)	948 605 230 AX	Discontinued part high-pressure injector Identification: >> >> blue M >> 838 12236 nach Aufbrauch 948.110.128.AX Use See technical information Service Group 2 KD-NR.2440 30/07 Discontinued part		8	4801+ PR:E0A
				4	

Model: 9PA108

Model life 2007>>2010

Pos	Part Number	Description	Remark	Qty	Model
(5)	948 110 128 30	blue high-pressure injector Identification: >> >> blue See technical information Service Group 2 KD-NR.2440 30/07 M 9 01857 >> M G 9 01963 >> Discontinued part		8	4801+ EOA EOW
(5)	948 110 128 AX	high-pressure injector Identification: >> >> blue See technical information Service Group 2 KD-NR.2440 30/07 M 9 01857 >> M G 9 01963 >> Discontinued part		8	4801+ EOA EOW
(5)	948 110 128 32	high-pressure injector Identification: >> >> blue Discontinued part		8	4801
(5)	948 110 128 JX	high-pressure injector Identification: >> >> blue Discontinued part		8	4801
(5)	948 110 128 33	high-pressure injector Identification: >> >> blue		8	4801
(5)	948 110 128 NX	high-pressure injector Identification: >> >> blue		8	4801
(5)	948 605 231 01	high-pressure injector Identification: >> >> yellow M >> 848 06031 nach Aufbrauch 948.110.128.80 / CX Use See technical information Service Group 2 KD-NR.2440 30/07		8 4	4851
(5)	948 605 231 AX	Discontinued part high-pressure injector Identification: >> >> yellow M >> 848 06031 nach Aufbrauch 948.110.128.CX Use See technical information Service Group 2 KD-NR.2440 30/07 Discontinued part		8 4	4851

Model: 9PA108

Model life 2007>>2010

Pos	Part Number	Description	Remark	Qty	Model
(5)	948 605 231 02	high-pressure injector Identification: >> >> yellow M 848 06032 >> T 9 00754 nach Aufbrauch 948.110.128.80 / CX Use See technical information Service Group 2 KD-NR.2440 30/07 Discontinued part		8 4	4851
(5)	948 605 231 BX	high-pressure injector Identification: >> >> yellow M 848 06032 >> T 9 00754 nach Aufbrauch 948.110.128.CX Use See technical information Service Group 2 KD-NR.2440 30/07 Discontinued part		8 4	4851
(5)	948 110 128 70	high-pressure injector Identification: >> >> yellow See technical information Service Group 2 KD-NR.2440 30/07 M T 9 00755 >> Discontinued part		8	4851
(5)	948 110 128 BX	high-pressure injector Identification: >> >> yellow See technical information Service Group 2 KD-NR.2440 30/07 M T 9 00755 >> Discontinued part		8	4851
(5)	948 110 128 72	high-pressure injector Identification: >> >> yellow Discontinued part		8	4851
(5)	948 110 128 KX	high-pressure injector Identification: >> >> yellow Discontinued part		8	4851
(5)	948 110 128 73	high-pressure injector Identification: >> >> yellow		8	4851
(5)	948 110 128 PX	high-pressure injector Identification: >> >> yellow		8	4851
(5)	948 110 128 80	high-pressure injector Identification: >> >> yellow		8	4851

Model: 9PA108 Model life 2007>>2010

Pos	Part Number	Description	Remark	Qty	Model
(5)	948 110 128 CX	See technical information Service Group 2 KD-NR.2440 30/07 M T 9 00755 >> Discontinued part high-pressure injector Identification: >> >> yellow See technical information Service Group 2 KD-NR.2440 30/07 M T 9 00755 >>		8	4851
(5)	948 110 128 82	Discontinued part high-pressure injector Identification: >> >> yellow		8	4851
(5)	948 110 128 LX	Discontinued part high-pressure injector Identification: >> >> yellow		8	4851
(5)	948 110 128 83	Discontinued part high-pressure injector Identification: >> >> yellow		8	4851
(5)	948 110 128 QX	high-pressure injector Identification: >> >> yellow		8	4851
6	999 704 020 90	seal ring 6,3 X 2,8		8	
7	999 707 606 40	O-ring 12 X 3		8	
8	900 385 116 01	Torx screw BM 8 X 30		4	
9	999 073 103 02	flat round head bolt M 6 X 16		3	
10	999 073 102 02	flat round head bolt M 6 X 25		1	
11	948 110 315 02	high pressure pump M >> 9 07800 M >> G 9 07095		1	4801
(11)	948 110 315 BX	Discontinued part high pressure pump M >> 9 07800 M >> G 9 07095		1	4801
(11)	948 110 315 03	Discontinued part high pressure pump M 9 07801 >> M G 9 07096 >> G A 09204		1	4801
(11)	948 110 315 CX	Discontinued part high pressure pump M 9 07801 >> M G 9 07096 >> G A 09204		1	4801
(11)	948 110 315 04	Discontinued part high pressure pump M G A 09205 >>		1	4801
(11)	948 110 315 DX	Discontinued part high pressure pump M G A 09205 >> Discontinued part		1	4801

Model: 9PA108 Model life 2007>>2010

Pos	Part Number	Description	Remark	Qty	Model
(11)	948 110 315 05	high pressure pump Discontinued part		1	4801
(11)	948 110 315 EX	high pressure pump Discontinued part		1	4801
(11)	948 110 315 06	high pressure pump Discontinued part		1	4801
(11)	948 110 315 FX	high pressure pump Discontinued part		1	4801
(11)	948 110 315 07	high pressure pump		1	4801
(11)	948 110 315 GX	high pressure pump		1	4801
(11)	948 110 315 52	high pressure pump Discontinued part		1	4851
(11)	948 110 315 2X	high pressure pump Discontinued part		1	4851
(11)	948 110 315 53	high pressure pump Discontinued part		1	4851
(11)	948 110 315 3X	high pressure pump Discontinued part		1	4851
(11)	948 110 315 54	high pressure pump		1	4851
(11)	948 110 315 4X	high pressure pump		1	4851
12	948 110 615 00	O-ring 45,7 X 2,62		1	
13	900 378 013 01	Hexagon bolt AM 6 X 25		1	
14	948 110 417 01	Screwed socket M 6 Discontinued part		2	
(14)	948 110 417 02	Screwed socket M 6		2	
15	948 110 419 02	Screwed socket M 8		1	
16	955 110 415 00	Protective plate		1	4801
(16)	955 110 415 50	Protective plate		1	4851
17	N 106 533 02	Hex collared bolt M 6 X 20		3	
18	948 110 125 01	Fuel line Discontinued part		1	4801
(18)	948 110 125 10	Fuel line		1	4801
(18)	948 110 125 51	Fuel line Discontinued part		1	4851
(18)	948 110 125 60	Fuel line		1	4851
19	948 110 235 01	Fuel line		1	
(19)	948 110 235 00	Fuel line with: Sensor No longer use the part here without: Sensor for vehicles up to M >> 838 20207 M >> 858 01039 M >> 848 09397 also use: Piwis tester Software Update V19.020 Discontinued part		1	4801 4801, EOW 4851
(19)	948 110 235 02	Fuel line without: Sensor for vehicles up to M >> 838 20207		1	4801

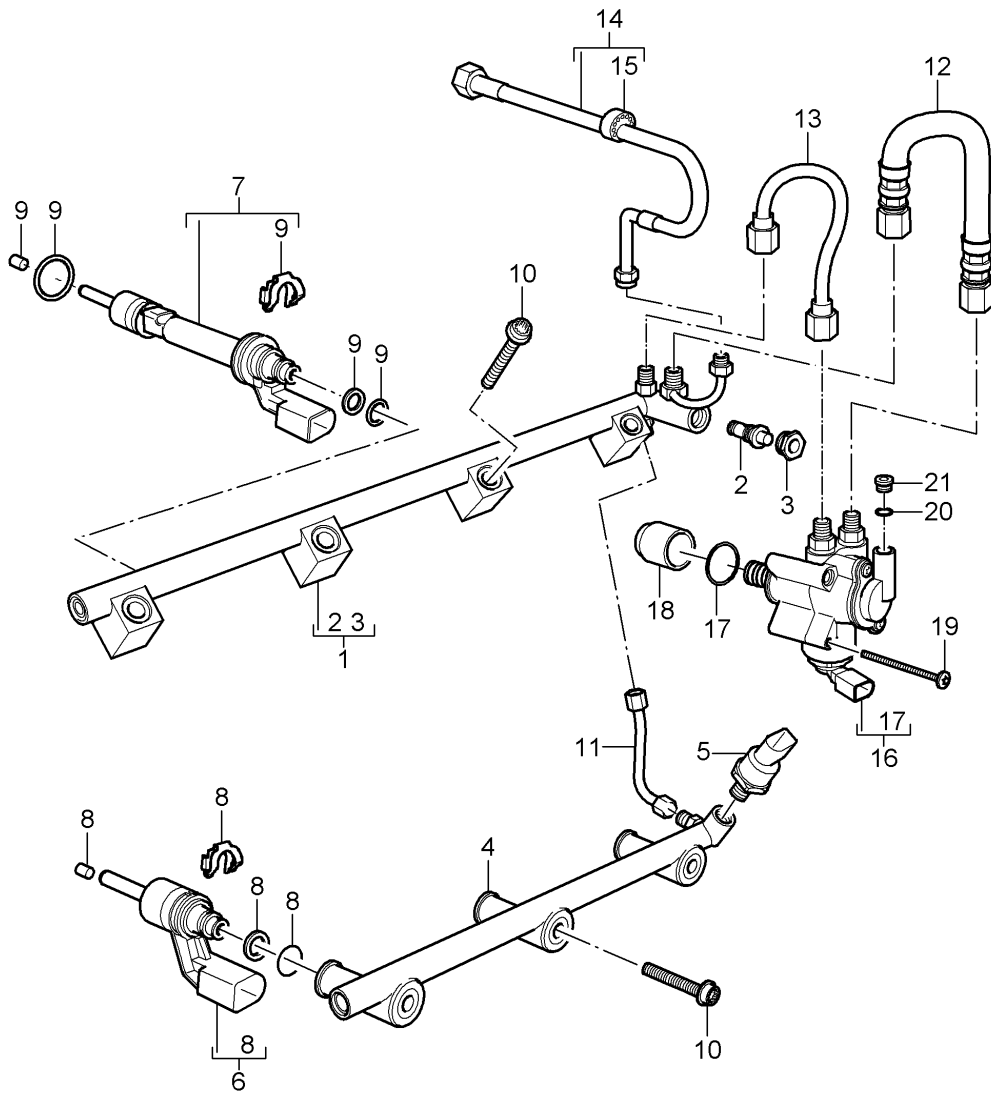
Model: 9PA108

Model life 2007>>2010

Pos	Part Number	Description	Remark	Qty	Model
20	948 606 221 00	M >> 858 01039 M >> 848 09397 also use: Piwis tester Software update V19.020 Sensor M >> 838 20207 M >> 858 01039 M >> 848 09397 No longer use the part here		1	4801, E0W 4851 4801 4801, E0W 4851

Model: 9PA108

Model life 2007>>2010



Model: 9PA108 Model life 2007>>2010

Pos	Part Number	Description	Remark	Qty	Model
		Fuel collection pipe high-pressure injector high pressure pump			5501
1	955 110 115 00	Fuel collection pipe	upper	1	
2	955 110 217 00	Pressure valve		1	
(2)	958 110 217 00	Discontinued part Pressure valve		1	
3	WHT 000 435	Banjo bolt M 16 X 1		1	
(3)	WHT 000 435 A	Discontinued part Banjo bolt M 16 X 1		1	
4	955 110 115 10	Fuel collection pipe	lower	1	
5	955 606 230 00	Pressure sensor		1	
(5)	955 606 230 01	Discontinued part Pressure sensor		1	
(5)	958 606 230 20	Discontinued part Pressure sensor		1	
6	955 605 232 00	high-pressure injector	lower	3	
7	955 605 233 00	high-pressure injector	upper	3	
8	955 110 910 00	Gasket set	lower	3	
9	955 110 911 00	high-pressure injector Gasket set	upper	3	
10	N 105 449 03	high-pressure injector Socket head bolt with inner multipoint head M 8 X 55		7	
11	955 110 314 00	Fuel line		1	
12	955 110 125 00	Fuel line		1	
13	955 110 126 00	Fuel line		1	
14	955 110 235 00	Fuel line		1	
(14)	955 110 235 01	No longer use the part here Fuel line		1	
15	955 110 722 30	Spacer ring		1	
16	955 110 316 00	high pressure pump		1	
(16)	955 110 316 01	M >> 638 08942 high pressure pump		1	
(16)	955 110 316 00	M 638 08943 >> 638 24762 high pressure pump		1	
17	955 110 615 00	M 638 24763 >> O-ring 31,5 X 2		1	
(17)	WHT 005 184	Discontinued part O-ring 31 X 2		1	
18	955 110 301 00	Tappets		1	
19	N 106 221 01	Oval hexagon socket head bolt AM 6 X 65		3	
20	N 013 806 4	seal ring A 10 X 14		1	
21	N 911 194 01	M 638 08943 >> 638 24762 sealing plug M 10 X 1 X 10 M 638 08943 >> 638 24762		1	

Model: 9PA108 Model life 2007>>2010

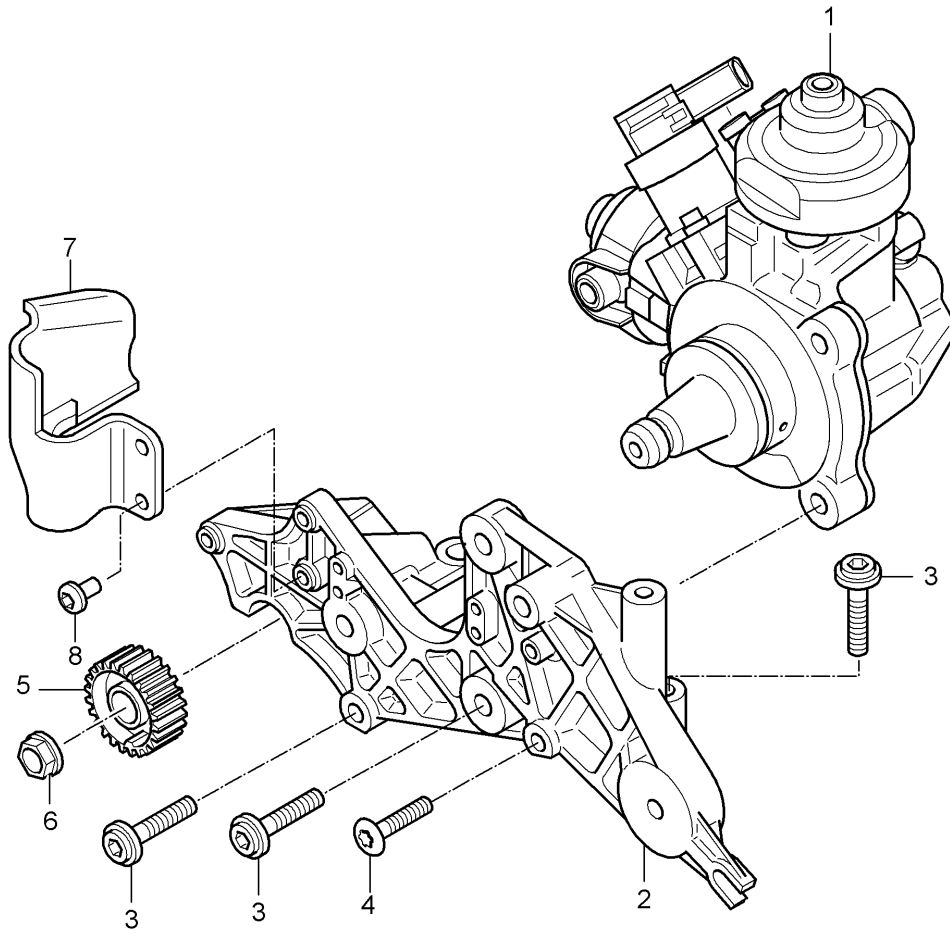
Pos	Part Number	Description	Remark	Qty	Model
		Fuel collection pipe Fuel line			059D
1	955 110 115 40	high-pressure injector			
2	955 110 116 40	Fuel collection pipe	left	1	
3	955 606 230 40	Fuel collection pipe	right	1	
4	955 606 240 00	Pressure sensor		1	
		pressure regulator		1	
		also use:	955 110 319 00	1	
5	955 110 319 00	O-ring		1	
6	955 110 035 00	high-pressure injector (complete)		6	
(6)	955 110 035 01	D >> - MJ 2009 high-pressure injector (complete)		6	
		D - MJ 2010>>			
7	WHT 000 884	O-ring		6	
		16,2 X 1,5			
8	955 110 519 00	seal ring		6	
		high-pressure injector			
9	955 110 619 00	O-ring		6	
		2,8 X 1,5			
(9)	WHT 007 480	Discontinued part O-ring		6	
		2,8 X 1,5			
10	955 110 216 00	tensioning plate		6	
11	955 105 313 00	End cap		6	
		Discontinued part			
(11)	955 105 313 01	End cap		6	
		Discontinued part			
(11)	955 105 313 02	End cap		6	
12	N 904 465 02	Hexagon collar nut		12	
		M 6			
13	N 904 275 02	Socket head bolt with hexagon socket head (combination)		16	
		M 5 X 12			
14	N 107 059 01	Socket head bolt with inner multipoint head		4	
		M 8 X 60			
15		high pressure pump		1	
		see illustration:	107-009		
16	955 110 320 00	Fuel line		1	
17	955 110 330 00	Fuel line		1	
18	955 110 340 00	Fuel line		1	
19	955 110 241 00	Fuel line		6	
20	955 110 411 00	Retainer for fuel line		2	
21	N 104 514 05	Oval hexagon socket head bolt		2	
		M 6 X 16			
22	955 111 820 00	Cable ties		x	
23	955 110 030 00	1 set of fuel lines		1	
		Set			
		To			
		Use			
		for			
		high pressure pump			
		955.110.316.20			
		059.130.755.AH			
		958.110.316.20			
		059.130.755.BB			
(23)	955 110 030 01	1 set of fuel lines		1	
		Set			
		To			
		Use			
		for			

Model: 9PA108 Model life 2007>>2010

Pos	Part Number	Description	Remark	Qty	Model
		high pressure pump 958.110.316.21 059.130.755.BD			
24	955 606 221 00	Temperature sensor		1	
25	WHT 002 287 C	O-ring 5,6 X 2		1	
26	N 021 071 7	Banjo bolt	8	1	
		No longer use the part here for this use:			
(6)	PAF 021 071	Banjo bolt	PAF 021 071	1	
27	N 013 813 3	seal ring A 12 X 17	M12X1,5X24	1	
28	N 907 702 01	Spring band clamp B 17 X 12		2	
29	N 909 264 01	Spring band clamp B 19 X 12		1	
30	955 201 479 00	Hose clamp 16 X 12		1	
31	955 110 531 00	Retainer for fuel line Discontinued part		2	
(31)	955 110 531 01	Retainer for fuel line		1	
32	N 103 352 06	Hexagon socket flat head bolt M 6 X 12		2	
33	955 110 218 00	Fuel hose (complete) Discontinued part		1	
(33)	955 110 218 01	Fuel hose (complete)		1	
34	955 111 694 10	Clip 6 - 7 / 8 - 9		4	

Model: 9PA108

Model life 2007>>2010



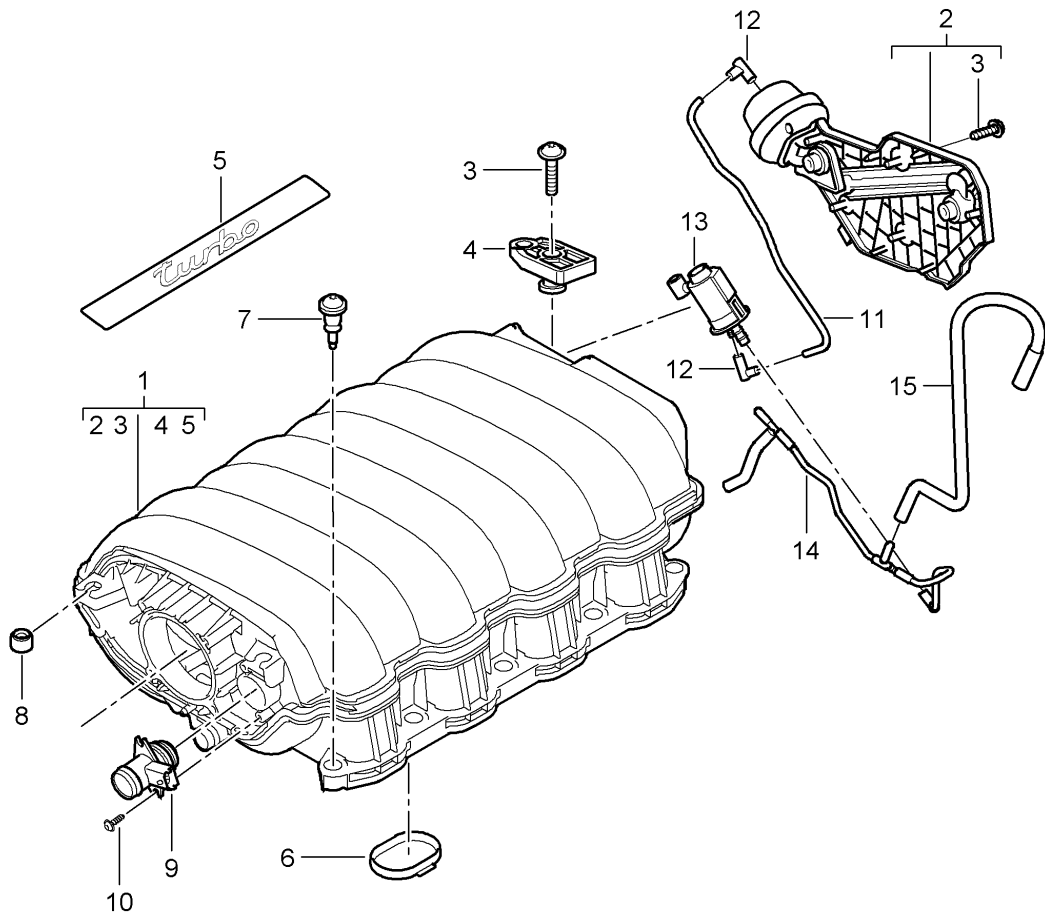
Model: 9PA108

Model life 2007>>2010

Pos	Part Number	Description	Remark	Qty	Model
1	955 110 316 20	high pressure pump high pressure pump only in conj. with: Fuel line Set 955.110.030.00 059.130.300.DF Discontinued part		1	059D
(1)	958 110 316 21	high pressure pump only in conj. with: Fuel line Set 955.110.030.01 059.130.300.EH Discontinued part		1	
(1)	958 110 316 22	high pressure pump only in conj. with: Fuel line Set 955.110.030.01 059.130.300.EH		1	
2	955 110 150 00	Console		1	
3	N 910 266 02	Oval head locating bolt with multi-point socket head M 8 X 35		6	
4	N 910 680 01	Hexagon socket flat head bolt M 6 X 28		1	
5	955 110 111 00	toothed belt pulley		1	
6	WHT 002 244	Hexagon collar nut M 18 X 1,5		1	
7	955 110 380 00	Protective plate		1	
8	N 104 514 05	Oval hexagon socket head bolt M 6 X 16		3	

Model: 9PA108

Model life 2007>>2010



Model: 9PA108 Model life 2007>>2010

Pos	Part Number	Description	Remark	Qty	Model
1	948 110 016 02	intake air distributor intake air distributor Discontinued part		1	4801, 4851 4801+ PR:E0A
(1)	948 110 016 03	intake air distributor Discontinued part		1	4801+ PR:E0A
(1)	948 110 016 04	intake air distributor Discontinued part		1	4801+ PR:E0A
(1)	948 110 016 05	intake air distributor		1	4801+ PR:E0A
(1)	948 110 016 20	intake air distributor Discontinued part		1	4801+ PR:E0W
(1)	948 110 016 21	intake air distributor Discontinued part		1	4801+ PR:E0W
(1)	948 110 016 22	intake air distributor Discontinued part		1	4801+ PR:E0W, E2D, E1T
(1)	948 110 016 23	intake air distributor		1	4801+ PR:E0W, E2D, E1T
(1)	948 110 016 52	intake air distributor Discontinued part		1	4851+ PR:E0A
(1)	948 110 016 53	intake air distributor Discontinued part		1	4851+ PR:E0A
(1)	948 110 016 54	intake air distributor		1	4851+ PR:E0A
(1)	948 110 016 60	intake air distributor Discontinued part		1	4851+ PR:E81, E8A
(1)	948 110 016 61	intake air distributor Discontinued part		1	4851+ PR:E81, E8A
(1)	948 110 016 62	intake air distributor		1	4851+ PR:E81, E8A
2	948 110 116 02	repair set throttle control element Discontinued part		1	4801
(2)	948 110 116 20	repair set throttle control element		1	4801
3	999 919 006 01	fillister hd. bolt 5 X 16 M >> 9 05540 M >> G 9 04964		5	4801
(3)	999 919 006 01	fillister hd. bolt 5 X 16 M 9 05541 >> M G 9 04965 >>		6	4801
(3)	999 919 006 01	fillister hd. bolt 5 X 16 M 9 01689 >> M T 9 02243 >> M S 9 00562 >>		1	4851
4	948 110 256 00	Cover O-ring M 9 06822 >> M G 9 06076 >> M 9 01689 >> M T 9 02243 >> M S 9 00562 >>	with:	1	4801, E0A 4801, E0W, E2D, E1T 4851, E0A 4851, E8A 4851, E81
5	948 110 216 70	trim with inscription plastic		1	4851+ PR:E0A
(5)	948 110 216 00	trim with inscription Carbon		1	4851+ PR:E81, E8A
6	948 110 146 01	Seal		8	

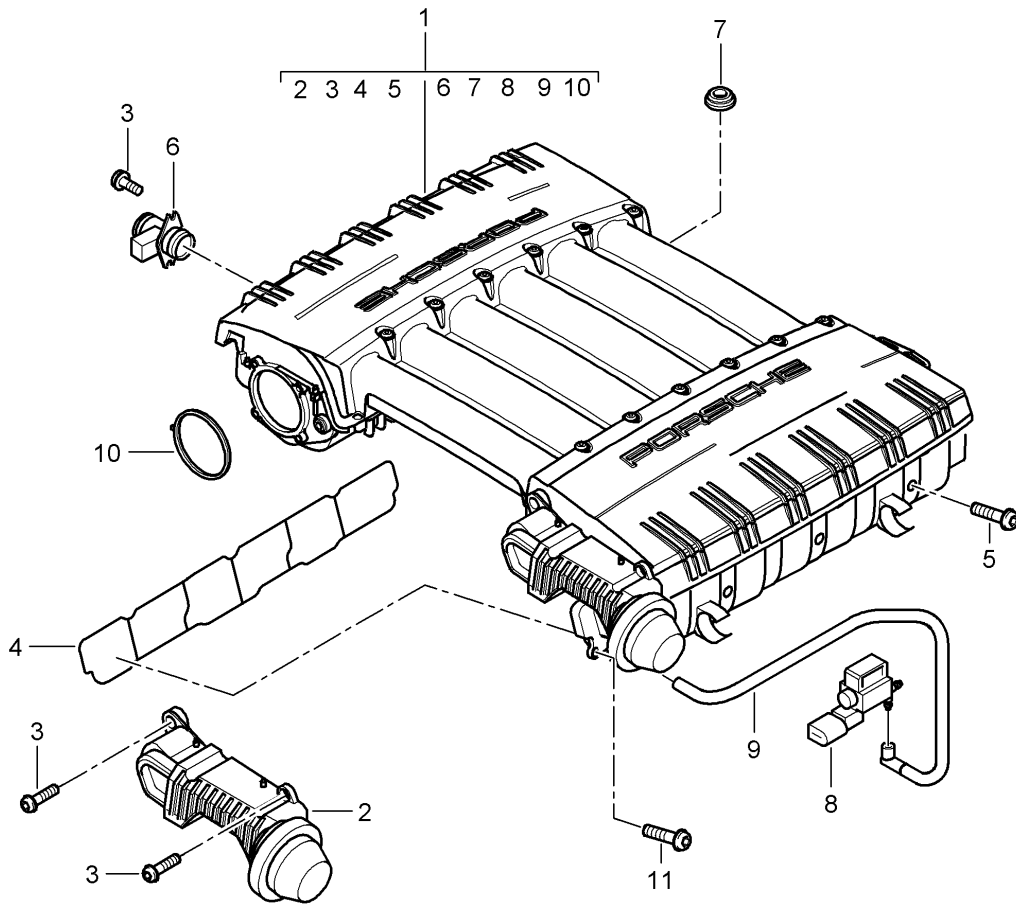
Model: 9PA108

Model life 2007>>2010

Pos	Part Number	Description	Remark	Qty	Model
7	948 110 142 01	Securing element Discontinued part		10	
(7)	948 110 142 02	Securing element		10	
8	955 110 236 00	ball socket		2	
9	948 605 139 00	Heater element		1	
10	999 919 006 01	fillister hd. bolt 5 X 16		2	
11	948 110 136 00	Pipe		1	4801
12	948 110 126 00	Connecting piece		2	4801
13	996 605 123 01	Change-over valve Electric		1	4801
14	948 110 358 00	Vacuum line		1	4801

Model: 9PA108

Model life 2007>>2010



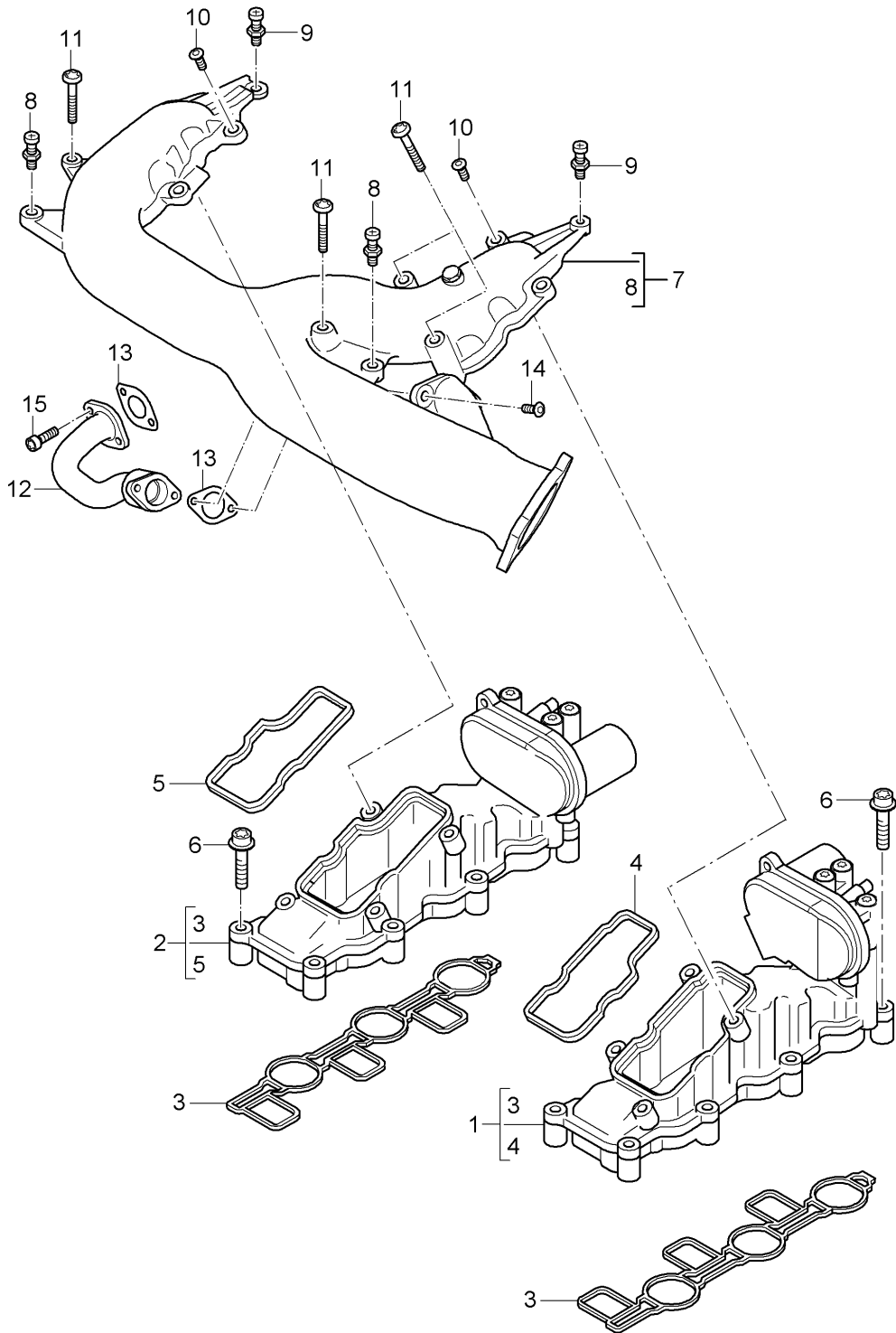
Model: 9PA108

Model life 2007>>2010

Pos	Part Number	Description	Remark	Qty	Model
1	955 110 006 00	Intake manifold Intake manifold black/silver Discontinued part		1	5501
(1)	955 110 006 01	Intake manifold black/black		1	
2	955 110 116 00	throttle control element		1	
3	999 919 006 01	fillister hd. bolt 5 X 16		5	
4	955 110 147 00	Seal		1	
5	N 910 972 01	round hd. screw M 6 X 35 See technical manual Group 2 24-46		3	
6	948 605 139 00	Heater element		1	
7	955 355 448 00	Sealing plug		1	
8	955 605 123 30	Change-over valve		1	
9	955 110 136 00	Vacuum line		1	
10		Seal throttle valve adapter		1	
11	N 910 972 01	round hd. screw M 6 X 35	see illustration: 107-002	1	

Model: 9PA108

Model life 2007>>2010



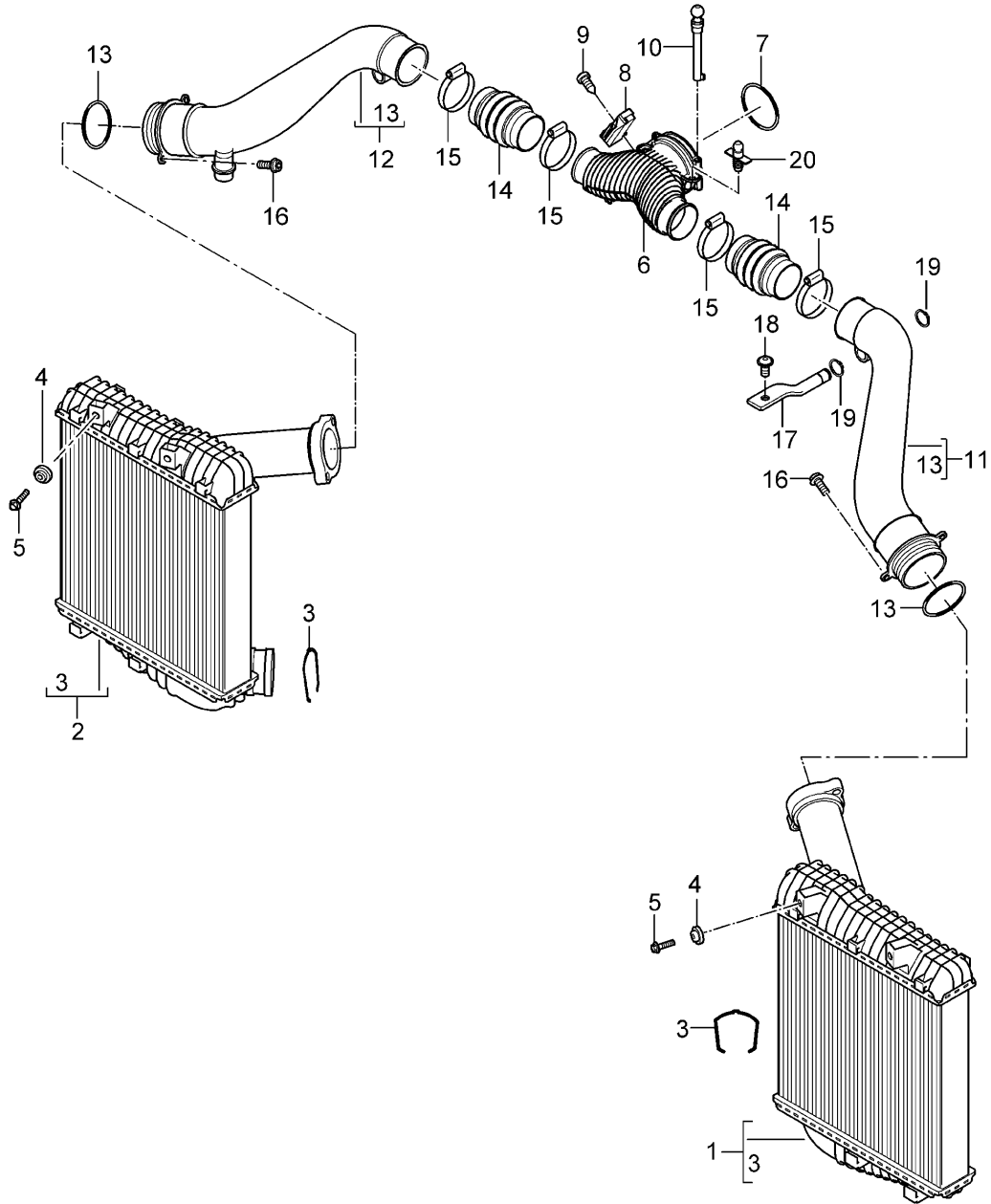
Model: 9PA108

Model life 2007>>2010

Pos	Part Number	Description	Remark	Qty	Model
		Intake manifold pressure pipe			059D
1	955 110 011 01	Intake manifold	left	1	
(1)	955 110 011 02	Discontinued part Intake manifold	left	1	
(1)	955 110 011 03	Discontinued part Intake manifold	left	1	
(1)	955 110 011 04	Discontinued part Intake manifold	left	1	
(1)	955 110 011 05	Discontinued part Intake manifold	left	1	
2	955 110 012 01	Intake manifold	right	1	
(2)	955 110 012 02	Discontinued part Intake manifold	right	1	
(2)	955 110 012 05	Discontinued part Intake manifold	right	1	
(2)	955 110 012 06	Discontinued part Intake manifold	right	1	
3	955 110 247 00	Seal		2	
4	955 110 147 10	Seal	left	1	
5	955 110 148 10	Seal	right	1	
6	N 103 008 05	Socket head bolt with inner multipoint head AM 6 X 45		16	
7	955 110 062 00	pressure pipe		1	
8	WHT 000 351	Ball pin		2	
9	WHT 000 508	Ball pin		2	
10	N 910 540 01	Semi round bolt (combi) with hexagon socket head M 6 X 22		5	
11	N 106 268 01	fillister hd. bolt AM 6 X 70		4	
12	955 111 053 00	Connecting pipe		1	
13	955 111 149 00	Seal		2	
14	N 101 243 06	Oval hexagon socket head bolt M 6 X 20		2	
15	N 106 131 01	Socket head bolt M 6 X 20		2	

Model: 9PA108

Model life 2007>>2010

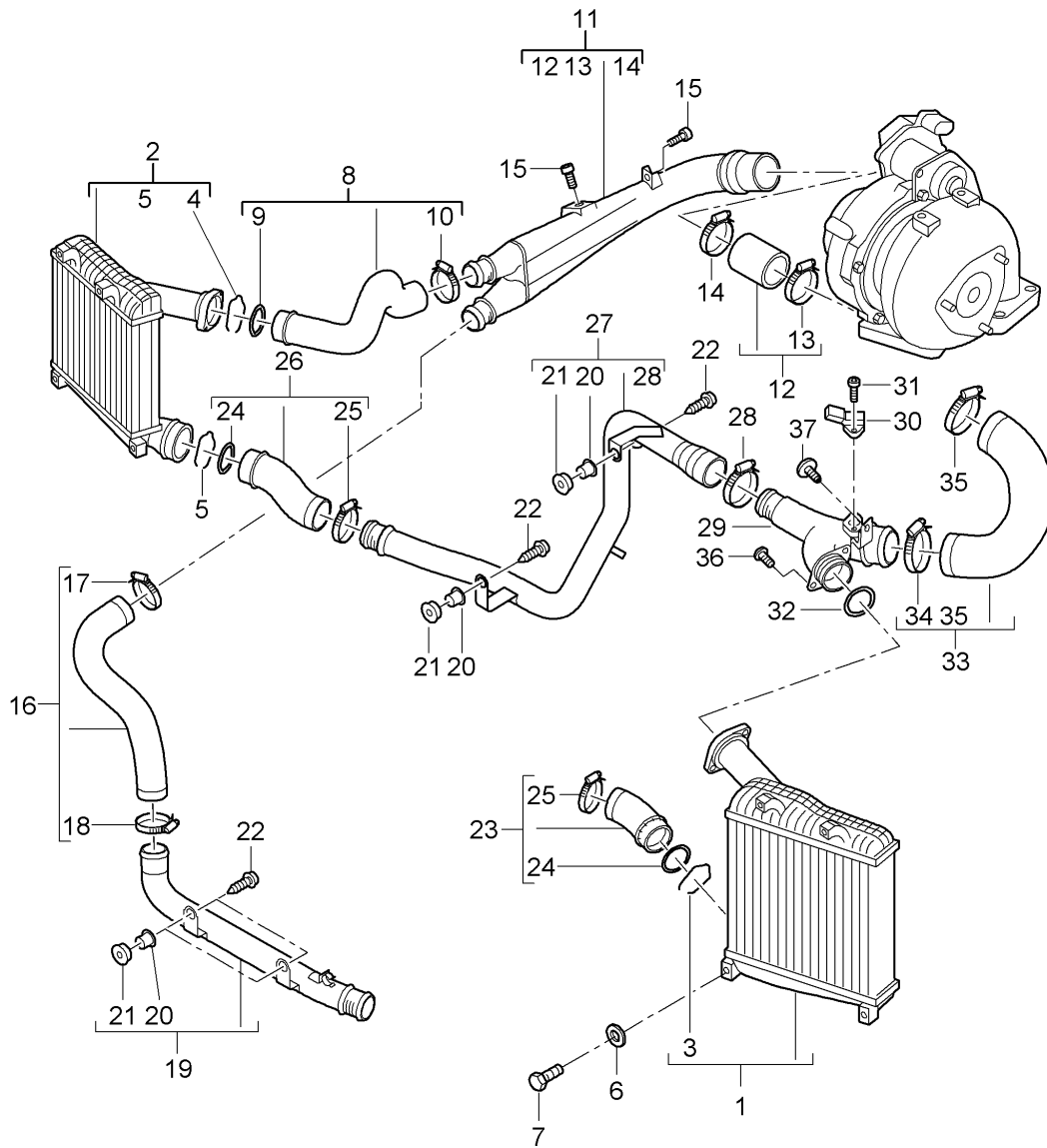


Model: 9PA108 Model life 2007>>2010

Pos	Part Number	Description	Remark	Qty	Model
		Charge air cooler pressure pipe			PR:D5Z
1	955 110 639 00	Charge air cooler pressure pipe	left	1	
(1)	955 110 639 01	Discontinued part			
2	955 110 640 00	Charge air cooler pressure pipe	left	1	
		Discontinued part			
(2)	955 110 640 01	Charge air cooler pressure pipe	right	1	
3	955 110 513 00	Charge air cooler retaining spring		1	
4	955 110 268 01	spacer bush		6	
5	N 910 538 01	Hexagon bolt M 6 X 20		6	
6	955 110 646 50	pressure pipe		1	PR:E0A
(6)	955 110 646 60	pressure pipe		1	PR:E81,E8A
		also use:	955 110 725 00	2	
(6)	955 110 646 61	Discontinued part pressure pipe		1	PR:E81,E8A
		also use:	955 110 725 00	2	
7	N 910 171 01	O-ring 87 X 4		1	PR:E0A
(7)	WHT 003 803	O-ring 90 X 5		1	PR:E81,E8A
8	996 606 180 00	Sensor		1	
9	N 106 839 01	Boost pressure Oval socket head bolt with hex drive 6 X 12		1	
10	955 110 671 00	Pin Locking mechanism		2	PR:E0A
		No longer use the part here			
(10)	955 110 671 01	Pin Locking mechanism		2	PR:E0A
11	955 110 623 01	pressure pipe	left	1	
12	955 110 624 10	pressure pipe	right	1	
13	WHT 001 018	O-ring 57 X 4		2	
14	955 110 107 00	Bellows		2	
		No longer use the part here			
(14)	955 110 107 02	Bellows		2	
15	N 105 188 01	Hose clamp 40 - 60 X 12		4	
(15)	N 106 198 01	D >> - MJ 2008 Hose clamp 45 - 65 X 12		4	
		D - MJ 2009>>			
16	N 103 231 03	Socket head bolt with inner multipoint head M 6 X 20		4	
17	955 110 383 00	Bracket for pressure pipe		2	
18	N 906 462 01	Hexagon socket flat head bolt M 6 X 12		2	
19	900 041 004 01	Securing ring 10 X 1		4	
20	955 110 725 00	Pin		2	PR:E81,E8A

Model: 9PA108

Model life 2007>>2010



Model: 9PA108 Model life 2007>>2010

Pos	Part Number	Description	Remark	Qty	Model
		Charge air cooler pressure pipe			PR:D50
1	955 110 639 10	Charge air cooler	left	1	
2	955 110 640 10	Charge air cooler	right	1	
(2)	958 110 640 10	Discontinued part			
3	955 110 513 10	Charge air cooler retaining spring	right	1	
4	955 110 513 20	retaining spring		1	
5	955 106 802 00	retaining spring		1	
		only in conj. with:			
(5)	955 110 513 10	Charge air cooler 955.110.640.10 7L6.145.804.A retaining spring		1	
		only in conj. with:			
6	955 110 268 01	Charge air cooler 958.110.640.10 7P0.145.804.A spacer bush		6	
7	N 910 538 01	Hexagon bolt M 6 X 20		6	
8	955 110 738 00	Pressure hose		1	
9	955 110 517 00	seal ring		1	
10	N 105 188 01	Hose clamp 40 - 60 X 12		1	
11	955 110 741 00	pressure pipe		1	
		Discontinued part			
(11)	958 110 741 10	pressure pipe		1	
12	955 110 832 00	Pressure hose		1	
		Discontinued part			
(12)	958 110 832 10	Pressure hose		1	
13	N 107 350 01	Hose clamp B 50 - 70 X 12 for		1	
		Pressure hose 955.110.832.00			
(13)	N 107 357 01	Hose clamp C 50 - 70 X 12 for		1	
		Pressure hose 958.110.832.10			
14	N 106 198 01	Hose clamp A 45 - 65 X 12		1	
15	N 103 352 02	Oval hexagon socket head bolt M 6 X 12		2	
16	955 110 737 00	Pressure hose		1	
		Discontinued part			
(16)	955 110 737 01	Pressure hose		1	
17	N 105 188 01	Hose clamp 40 - 60 X 12		1	
		F >> 9P-ALA25 281			
(17)	N 107 355 01	Hose clamp 40 - 60 X 12		1	
		F 9P-ALA25 282>>			
18	N 106 198 01	Hose clamp A 45 - 65 X 12		1	
		F >> 9P-ALA25 281			
(18)	N 107 356 01	Hose clamp 45 - 65 X 12		1	
		F 9P-ALA25 282>>			
19	955 110 790 00	pressure pipe		1	
20	6N0 129 734	Distance piece		2	
		Discontinued part			

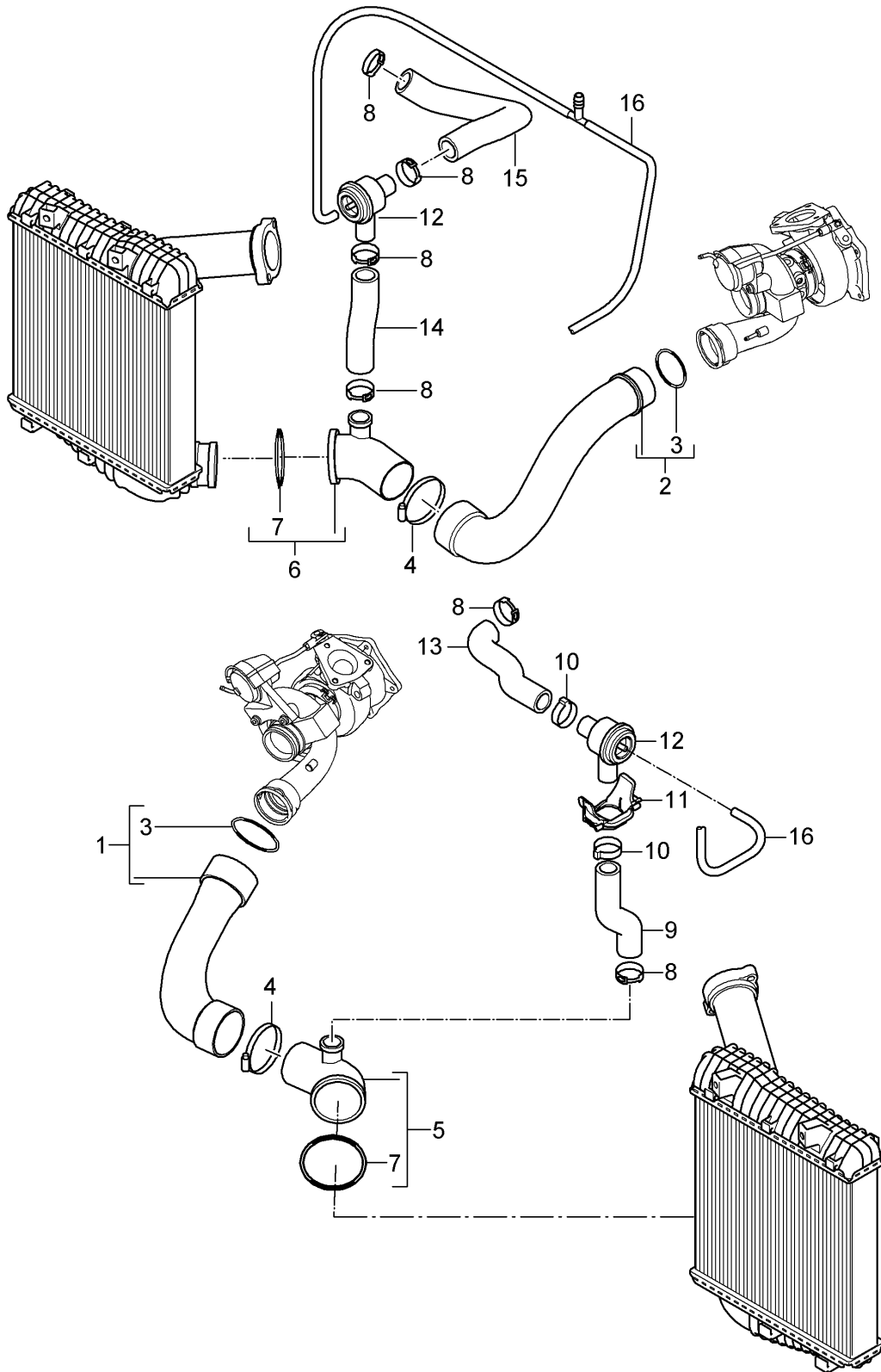
Model: 9PA108

Model life 2007>>2010

Pos	Part Number	Description	Remark	Qty	Model
(20)	955 106 662 00	Sleeve		2	
21	867 129 669	Grommet		2	
22	N 907 315 03	Hexagon socket head panel bolt 6 X 25		4	
23	955 110 843 00	Pressure hose		1	
24	955 110 517 10	seal ring		2	
25	N 106 198 01	Hose clamp A 45 - 65 X 12		2	
26	955 110 708 00	Pressure hose		1	
27	955 110 795 00	pressure pipe		1	
28	N 105 444 01	Hose clamp 60 - 80 X 12		1	
29	955 110 796 00	pressure pipe		1	
30	955 606 180 10	Pressure sensor		1	
31	N 902 886 06	fillister hd. bolt 5 X 17		2	
32	WHT 003 156	O-ring 57 X 3,5		1	
33	955 110 772 00	Pressure hose No longer use the part here		1	
(33)	955 110 772 01	Pressure hose		1	
34	N 105 444 01	Hose clamp 60 - 80 X 12		1	
35	N 107 352 01	Spring band clamp 60 - 80 X 12		1	
36	N 101 244 08	Hexagon socket head bolt (combi) M 6 X 20		2	
37	N 909 004 01	Hex socket oval head collared M 6 X 20		1	

Model: 9PA108

Model life 2007>>2010



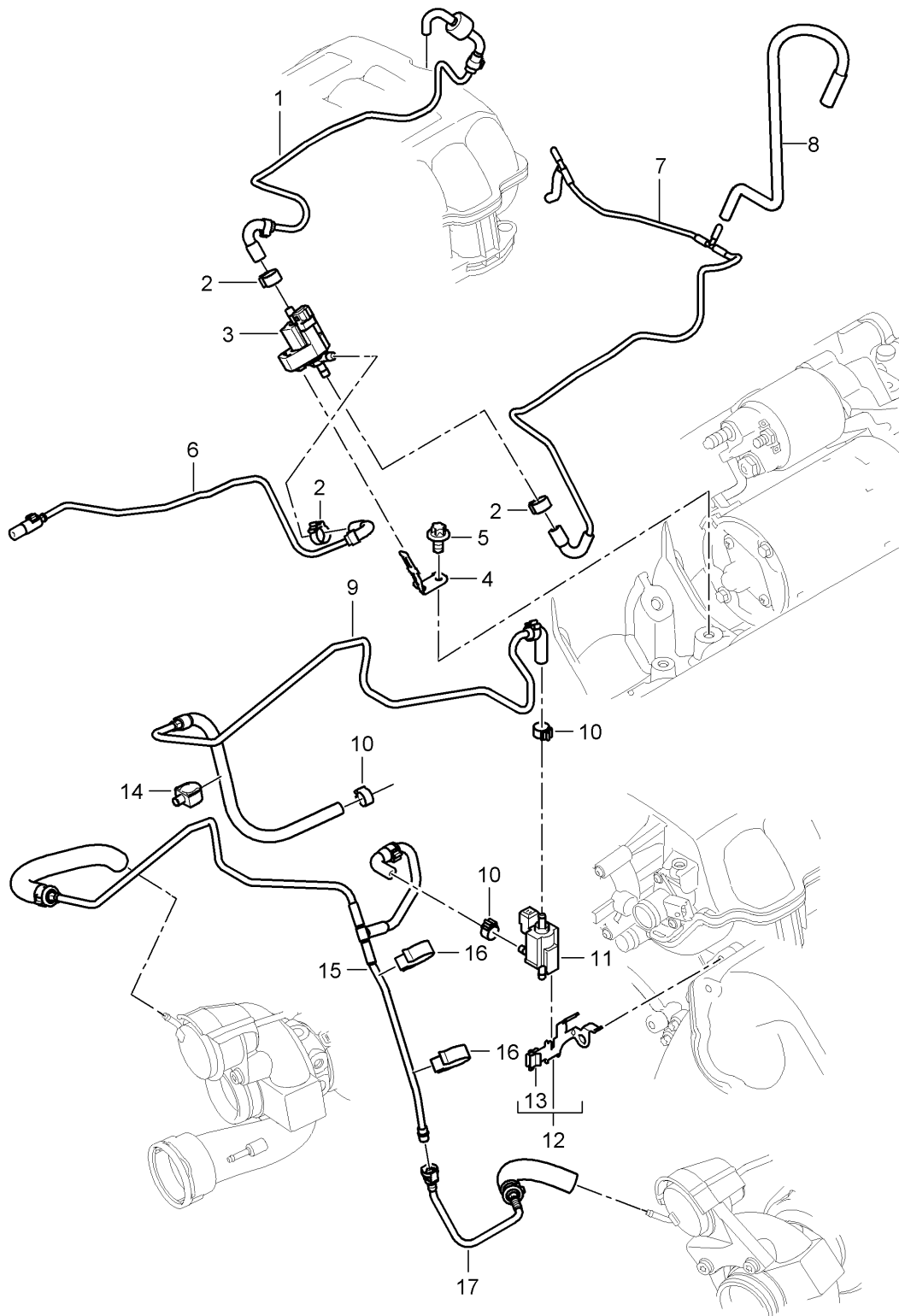
Model: 9PA108

Model life 2007>>2010

Pos	Part Number	Description	Remark	Qty	Model
		Supercharging 1 pressure pipe			PR:D5Z
1	955 110 837 10	Pressure hose	left	1	
2	955 110 838 10	Pressure hose	right	1	
3	955 110 720 00	O-ring 43,95 X 3,5		2	
4	N 909 509 01	Hose clamp A 50-70 X 9,0		2	
5	955 110 367 10	pressure pipe	left	1	
6	955 110 368 10	pressure pipe	right	1	
7	955 110 722 00	seal ring 53,95 X 3,55		2	
8	955 110 917 00	Hose clamp B 34 X 12		6	
9	955 110 743 30	Hose		1	
10	N 102 077 01	clamp A 34,6 X 7 X 0,6		2	
11	955 110 263 00	Bracket		1	
12	955 110 710 01	cut-off valve		2	
13	955 110 743 20	Hose		1	
14	955 110 742 00	Hose		1	
15	955 110 742 10	Hose		1	
16	955 110 693 10	air hose		1	

Model: 9PA108

Model life 2007>>2010

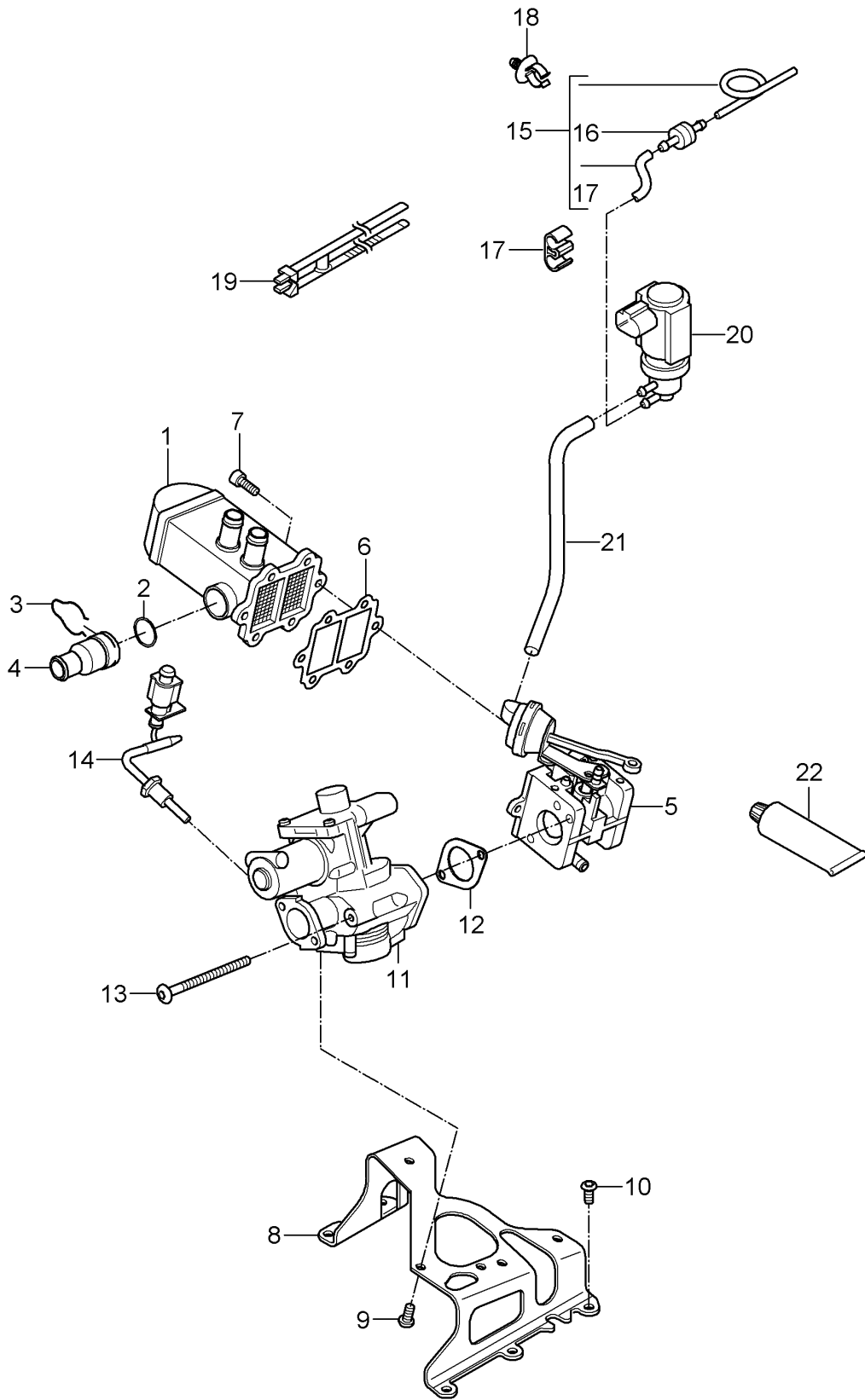


Model: 9PA108 Model life 2007>>2010

Pos	Part Number	Description	Remark	Qty	Model
		Supercharging 2			4851
		Control line			
		Pressure line			
1	948 110 324 53	Pressure line		1	
2	999 512 689 00	Hose clip		3	
		12,5 - 14,0			
3	948 605 125 01	Change-over valve		1	
		No longer use the part here			
(3)	996 605 165 00	Change-over valve		1	
		without:			
		Rubber holder			
-	948 605 167 01	Bracket		1	
		for			
		Change-over valve			
4	948 110 360 51	Bracket		1	
5	900 385 041 01	Torx screw		1	
		BM 6 X 12			
		No longer use the part here			
(5)	999 073 189 01	flat round head bolt		1	
		M 6 X 12			
6	948 110 394 52	Control line		1	
7	948 110 358 52	Vacuum line		1	
9	948 110 240 54	Pressure line		1	
10	999 512 688 00	Hose clip		3	
		10,5 - 11,5			
11	996 605 155 00	Timing valve		1	
12	948 110 370 51	Bracket		1	
13	955 971 847 00	cable terminal		1	
14	999 507 813 40	Cable holder		1	
		11,5 - 12,7			
15	948 110 666 54	Control line		1	
16	999 507 800 40	Hose bracket		2	
		6,5 / 24,5			
17	948 110 668 53	Control line		1	
		Discontinued part			
(17)	948 110 668 54	Control line		1	
		Discontinued part			
(17)	948 110 668 55	Control line		1	

Model: 9PA108

Model life 2007>>2010

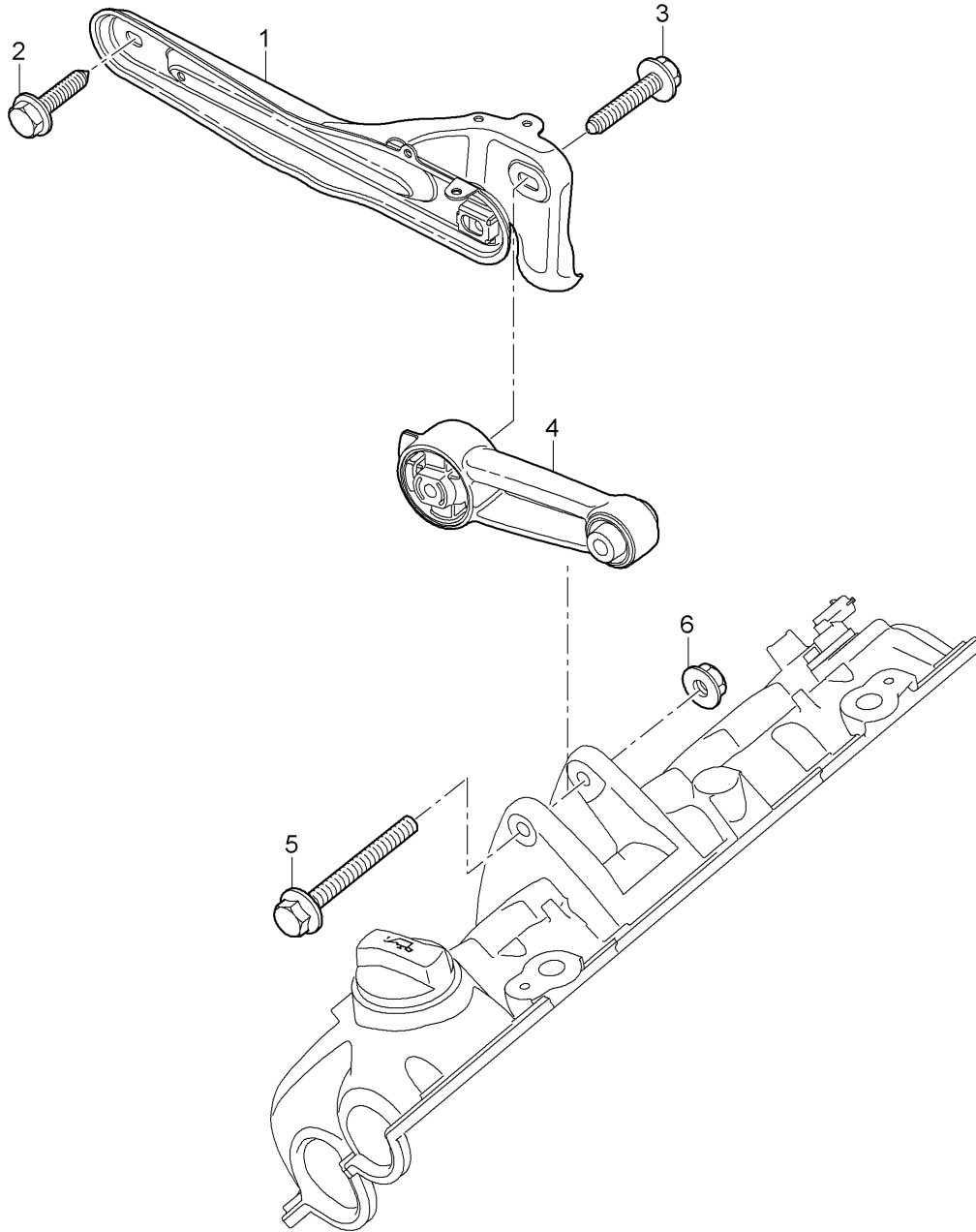


Model: 9PA108 Model life 2007>>2010

Pos	Part Number	Description	Remark	Qty	Model
		Exhaust gas recirculation vacuum system			059D
1	955 111 011 00	heat dissipator		1	
(1)	955 111 112 00	Exhaust gas recirculation Discontinued part heat dissipator		1	
2	WHT 003 368	Exhaust gas recirculation O-ring 26 X 2		1	
3	955 111 342 00	retaining spring		1	
4	955 106 313 00	thermostat		1	
(4)	955 106 313 01	Discontinued part thermostat		1	
5	955 111 063 00	Governor		1	
6	955 111 147 00	Exhaust gas recirculation Seal		1	
7	N 106 131 01	Socket head bolt M 6 X 20		6	
8	955 111 135 00	Bracket		1	
9	N 010 215 33	Hexagon bolt M 6 X 15		3	
10	N 100 292 06	Oval hexagon socket head bolt M 6 X 15		5	
11	955 111 051 00	Egr valve No longer use the part here		1	
(11)	955 111 051 01	Egr valve		1	
12	955 107 120 00	Seal		1	
13	N 104 251 03	fillister hd. bolt BM 8 X 100 X 41		2	
14	955 606 688 00	Temperature sensor Exhaust gas		1	
15	955 111 551 00	Vacuum line		1	
16	955 606 291 00	Non-return valve		1	
17	955 111 694 00	Clip		X	
18	955 111 531 00	Bracket		1	
19	955 111 820 00	Cable ties		X	
20	955 605 283 10	Change-over valve		1	
21	955 111 552 00	Vacuum line		1	
22	000 043 207 47	hot-bolt-paste 1 tube 170 Gr.		X	

Model: 9PA108

Model life 2007>>2010



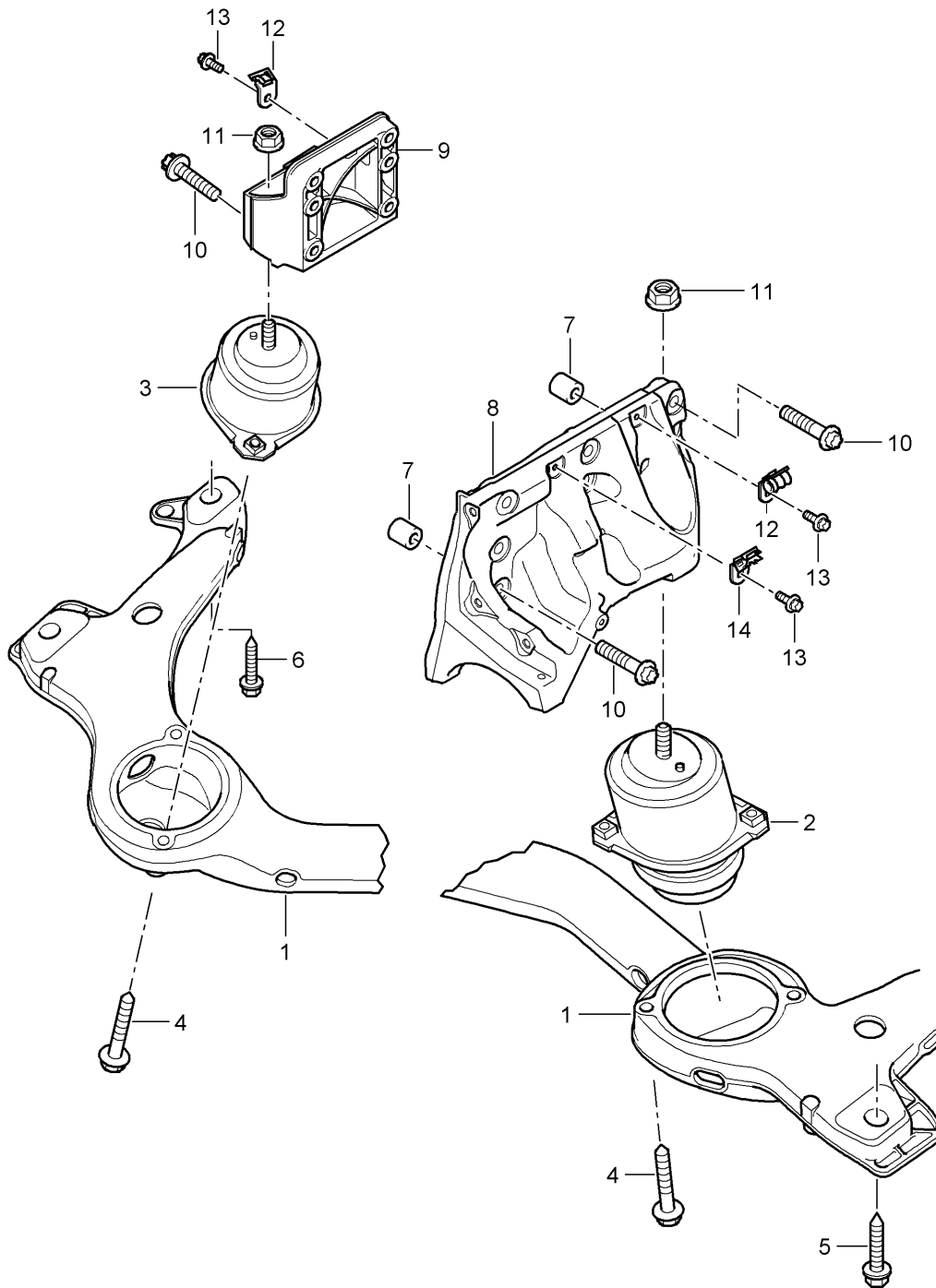
Model: 9PA108

Model life 2007>>2010

Pos	Part Number	Description	Remark	Qty	Model
1	955 375 112 10	Engine lifting tackle Mounting block	upper	1	PR:D5V,D5Z
2	N 908 932 02	fitted bolt, hexagon head	M10X20	1	
3	N 102 902 06	Hex collared bolt	M10X70	1	
4	955 375 101 12	Support No longer use the part here		1	
(4)	955 375 101 13	Support		1	
5	N 102 961 05	Hexagon flange screw	M10X90	1	
6	N 102 861 10	Hexagon collar nut self-locking	M10	1	

Model: 9PA108

Model life 2007>>2010

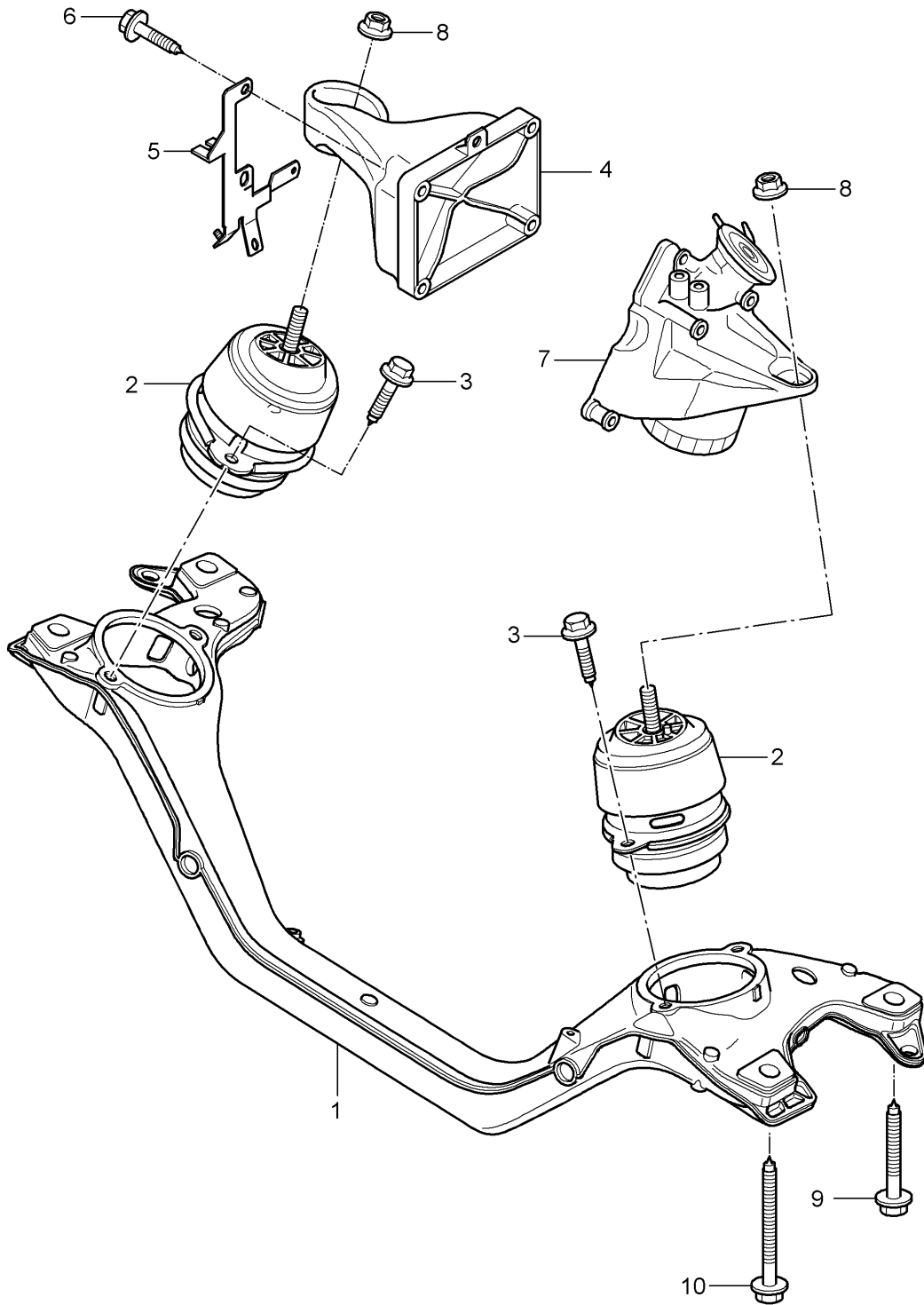


Model: 9PA108 Model life 2007>>2010

Pos	Part Number	Description	Remark	Qty	Model
1	948 375 309 03	Engine lifting tackle	lower	1	4801,4851
(1)	948 375 309 04	Engine brackets Discontinued part		1	
(1)	958 375 309 30	Engine brackets		1	
2	948 375 049 01	engine mounting	left	1	
3	948 375 050 01	engine mounting	right	1	
4	900 378 004 01	Hexagon bolt	BM10X65-PA	4	
5		see illustration, item:	401-000,3	2	
6	N 910 144 02	hexagon head bolt (combi)	M14X1,5X100	2	
7	999 095 066 00	dowel sleeve	14X15	2	
8	948 102 215 01	Console Discontinued part		1	
(8)	948 102 015 00	Console with:		1	
9	948 115 201 03	dowel sleeve Console		1	
10	900 385 011 01	Torx screw	BM10X45	15	
		M >> 9 05540			4801
		M >> G 9 04964			4801, E0W
		M >> 9 01688			4851
		M >> T 9 01787			4851, E8A
		M >> S 9 00561			4851, E81
(10)	999 073 460 01	flat round head bolt	M10X45	15	
		M 9 05541 >>			4801
		M G 9 04965 >>			4801, E0W
		M 9 01689 >>			4851
		M T 9 01788 >>			4851, E8A
		M S 9 00562 >>			4851, E81
11	999 084 445 01	Locknut	M12X1,5	2	
12	948 606 113 02	Holder for lambda probe		2	4801
-	999 651 392 07	Cable holder	9,5-10,5	2	
13	900 385 041 01	Torx screw	BM6X12	3	
14	948 606 161 00	Holder for lambda probe		1	4801
-	999 507 808 09	Cable holder	6,0	1	4801

Model: 9PA108

Model life 2007>>2010



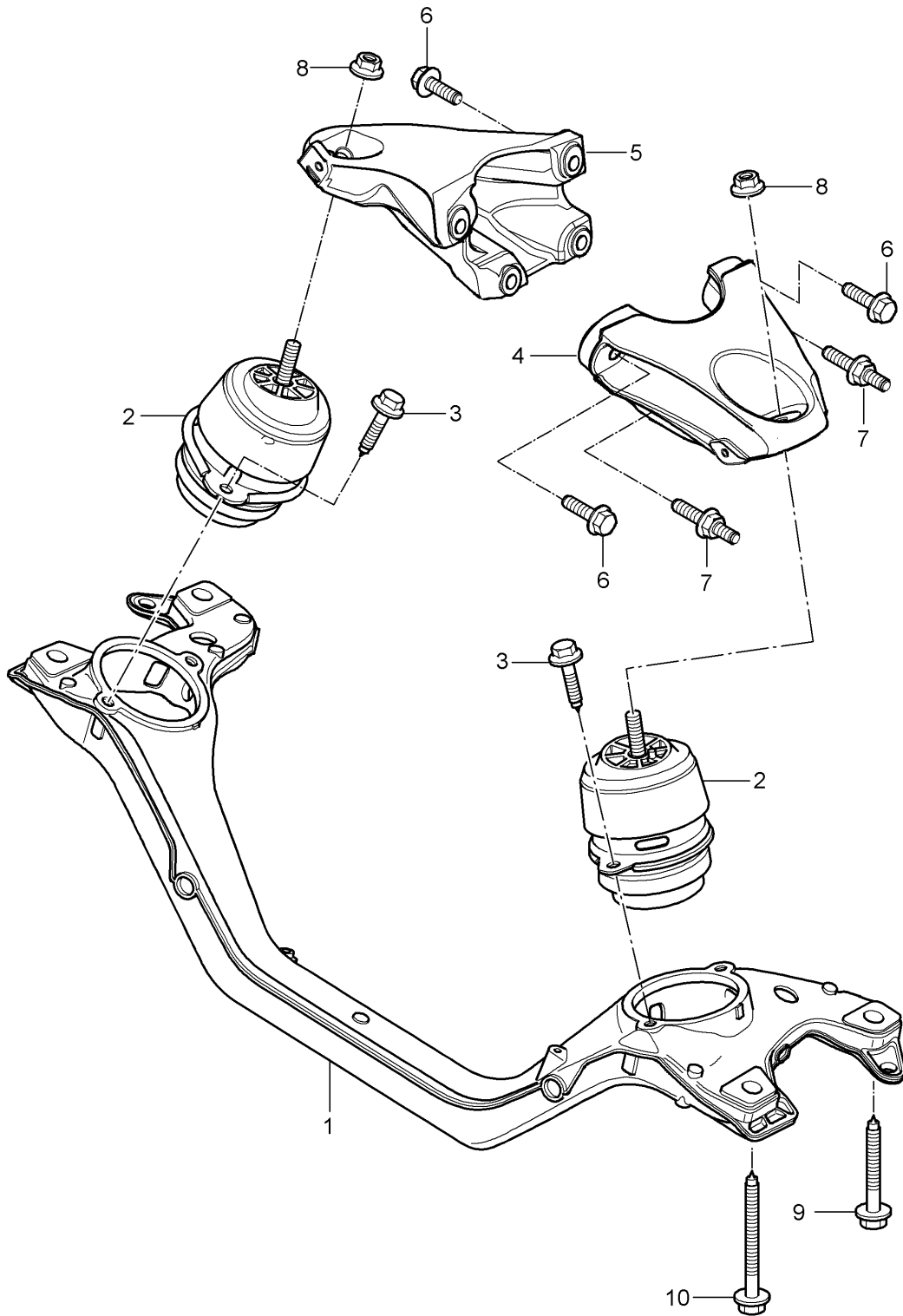
Model: 9PA108

Model life 2007>>2010

Pos	Part Number	Description	Remark	Qty	Model
		Engine lifting tackle	lower		5501
1	955 375 309 01	Engine brackets		1	
2	955 375 049 00	hydro-mounting		2	
3	N 105 167 02	bolt, hex. hd. with shoulder, self-locking	M10X55	4	
4	955 115 201 00	Console for engine mounting		1	
5	955 607 208 10	Bracket		1	
		F >> 9P-9LA03 156			
(5)	955 607 208 11	Bracket		1	
		F 9P-9LA03 157>>			
6	N 909 784 04	Hex collared bolt	M10X35	4	
7		see illustration:	104-015	1	
8	N 104 029 04	Hexagon nut	M12X1,5	2	
9	N 910 144 02	hexagon head bolt (combi)	M14X1,5X100	2	
10		see illustration, item:	401-000,3	2	

Model: 9PA108

Model life 2007>>2010



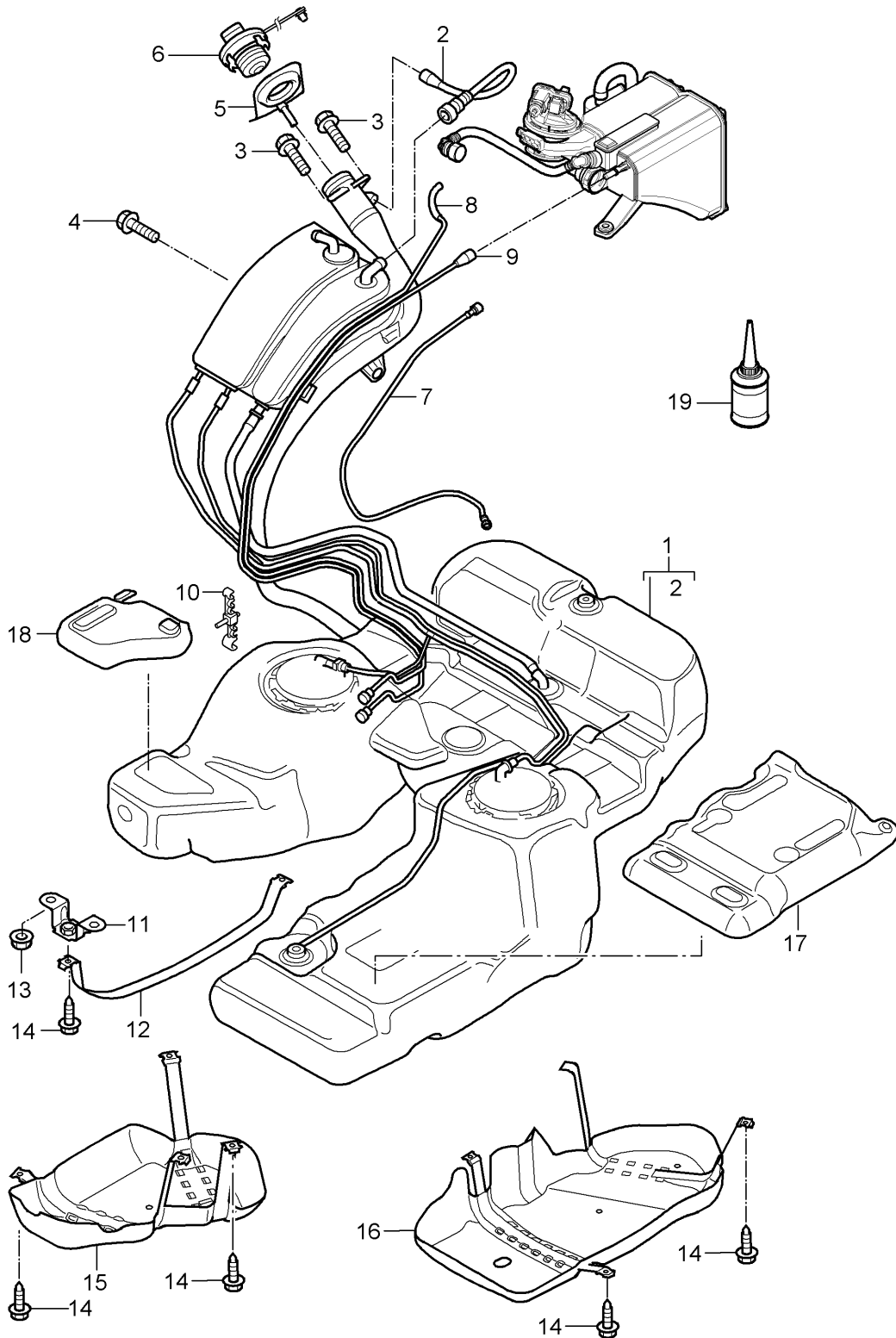
Model: 9PA108

Model life 2007>>2010

Pos	Part Number	Description	Remark	Qty	Model
1	955 375 309 10	Engine lifting tackle Engine brackets Discontinued part	lower	1	059D
(1)	958 375 309 00	Engine brackets Discontinued part		1	
2	955 375 049 10	hydro-mounting		2	
3	N 105 167 02	bolt, hex. hd. with shoulder, self-locking	M10X55	4	
4	955 102 215 00	Console for engine mounting		1	
5	955 115 201 10	Console for engine mounting Discontinued part		1	
(5)	955 115 201 11	Console for engine mounting Discontinued part		1	
(5)	958 115 201 40	Console for engine mounting		1	
6	N 104 043 06	Hex collared bolt	M10X30	6	
7	N 910 941 01	double collared stud	M10X30/M8X12	2	
8	N 104 029 04	Hexagon nut	M12X1,5	2	
9	N 910 144 02	hexagon head bolt (combi)	M14X1,5X100	2	
10		see illustration, item:	401-000,3	2	

Model: 9PA108

Model life 2007>>2010

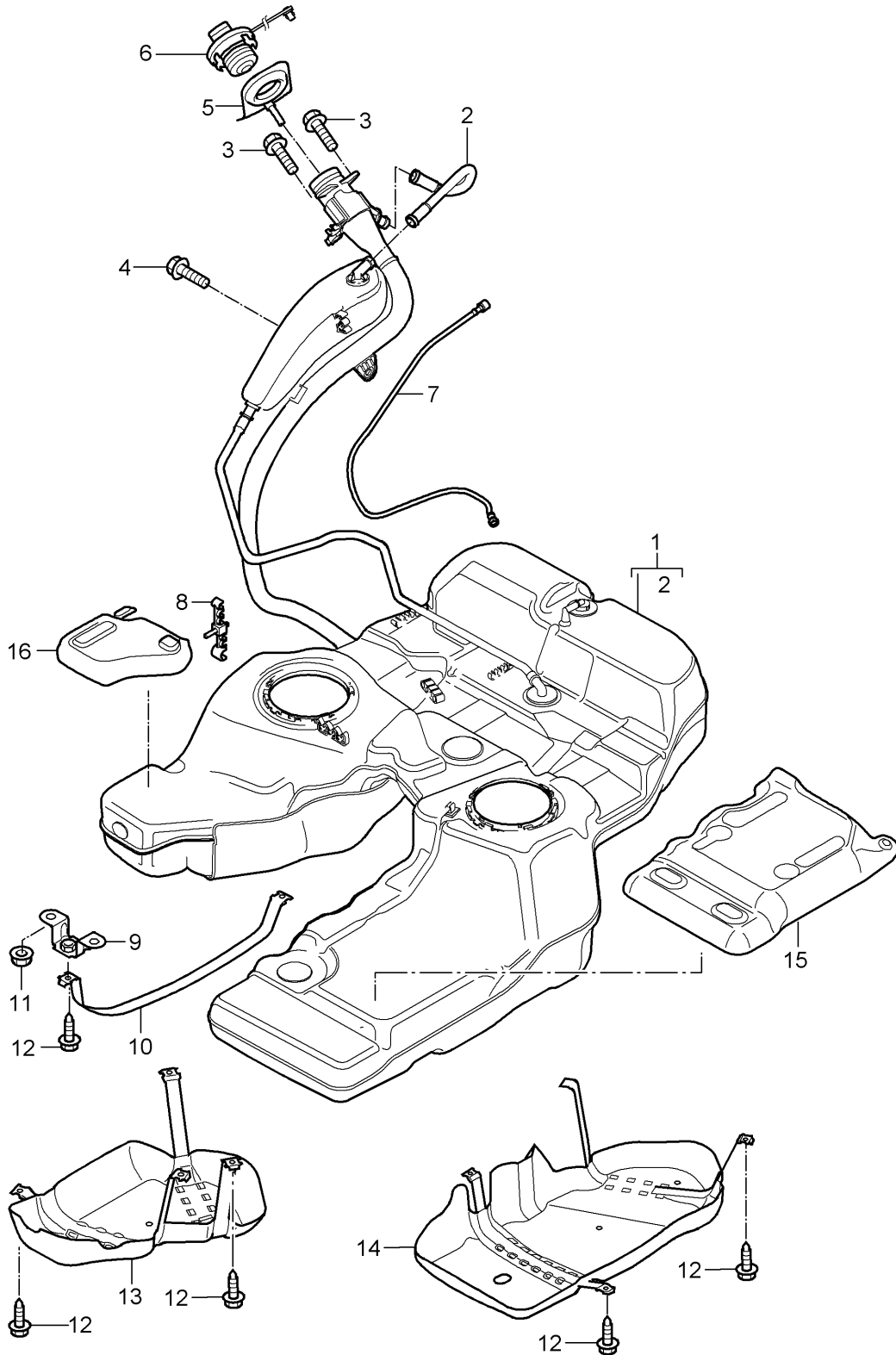


Model: 9PA108 Model life 2007>>2010

Pos	Part Number	Description	Remark	Qty	Model
1	955 201 075 04	fuel tank with attachments		1	PR:2G1,2G4,2G6
(1)	955 201 075 27	Fuel tank		1	PR:2G1 PR:2G6 "BR."
2	955 201 266 00	Breather line		1	PR:2G1
(2)	955 201 266 00	Breather line		1	PR:2G6 "BR."
3	N 100 092 07	hexagon head bolt (combi) M 6 X 20		3	
4	N 910 345 01	hexagon head bolt (combi) M 6 x 20		1	
5	955 201 251 00	fuel filler neck		1	
6	955 201 241 12	cap with retaining strap for fuel tank		1	PR:2G1
(6)	955 201 241 13	Discontinued part cap with retaining strap for fuel tank		1	PR:2G1
(6)	955 201 241 12	cap with retaining strap for fuel tank		1	PR:2G6 "BR."
(6)	955 201 241 13	Discontinued part cap with retaining strap for fuel tank		1	PR:2G6 "BR."
7	955 201 255 04	Breather line		1	
9	955 201 851 00	Purge-air line		1	
10	955 201 897 00	Retaining clip		1	
11	955 201 751 01	bracket for strap		2	
12	955 201 107 00	tensioning strap	center	1	
13	N 023 003 14	hexagon nut, self-locking M 8		4	
14	N 019 530 8	Hex collared bolt M 8 X 25		10	
15	955 201 331 00	Cover	with:	1	PR:6EA,6EP,6EQ
(15)	955 201 331 10	tensioning strap Cover	with:	1	PR:6EB,6ES
16	955 201 332 01	tensioning strap Cover	with:	1	PR:6EA,6EP,6EQ
(16)	955 201 332 10	tensioning strap Cover	with:	1	PR:6EB,6ES
17	955 201 333 00	tensioning strap Cover	left upper	1	
18	955 201 334 00	Cover	right upper	1	
19	000 043 206 89	Multi-purpose additive for Otto engine fuels 100 ML container		X	
(19)	000 043 209 02	Discontinued part Multi-purpose additive for Otto engine fuels 100 ML container		X	

Model: 9PA108

Model life 2007>>2010



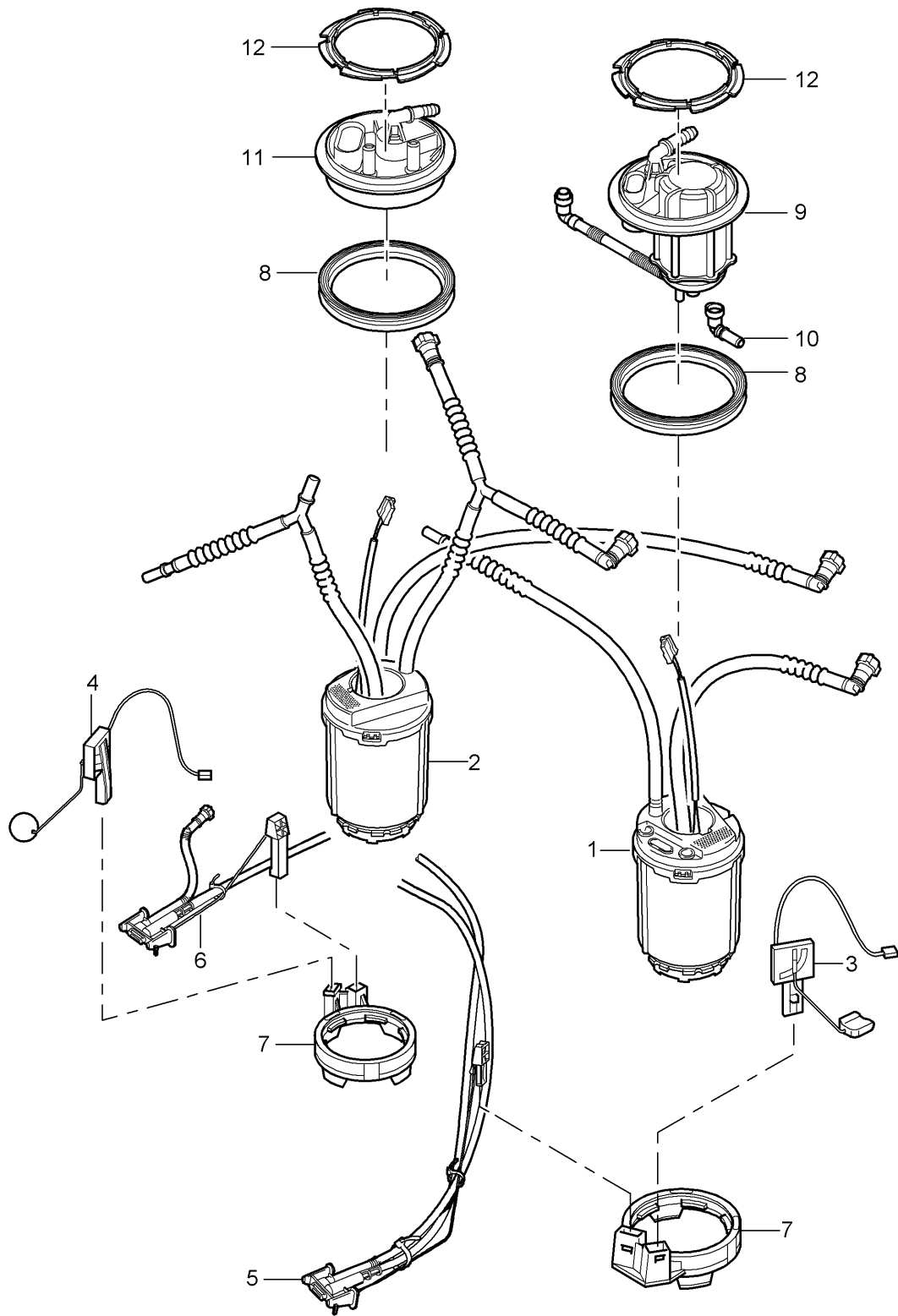
Model: 9PA108

Model life 2007>>2010

Pos	Part Number	Description	Remark	Qty	Model
		fuel tank with attachments			PR:D50
1	955 201 075 40	Fuel tank		1	
2	955 201 266 00	Breather line		1	
3	N 100 092 07	hexagon head bolt (combi)	M6X20	2	
4	N 910 345 01	hexagon head bolt (combi)	M6X20	1	
5	955 201 251 00	fuel filler neck		1	
6	955 201 241 40	cap with retaining strap for fuel tank		1	
(6)	955 201 241 41	No longer use the part here cap with retaining strap for fuel tank		1	
(6)	955 201 241 42	discontinued part cap with retaining strap for fuel tank		1	
7	955 201 255 04	Breather line		1	
8	955 201 897 00	Retaining clip		1	
9	955 201 751 01	bracket for strap		2	
10	955 201 107 00	tensioning strap	center	1	
11	N 023 003 14	hexagon nut, self-locking	M8	4	
12	N 019 530 8	Hex collared bolt	M8X25	10	
13	955 201 331 00	Cover		1	PR:6EA,6EP,6EQ
		with:			
14	955 201 332 01	tensioning strap Cover		1	PR:6EA,6EP,6EQ
		with:			
15	955 201 333 00	tensioning strap Cover	left upper	1	
16	955 201 334 00	Cover	right upper	1	

Model: 9PA108

Model life 2007>>2010



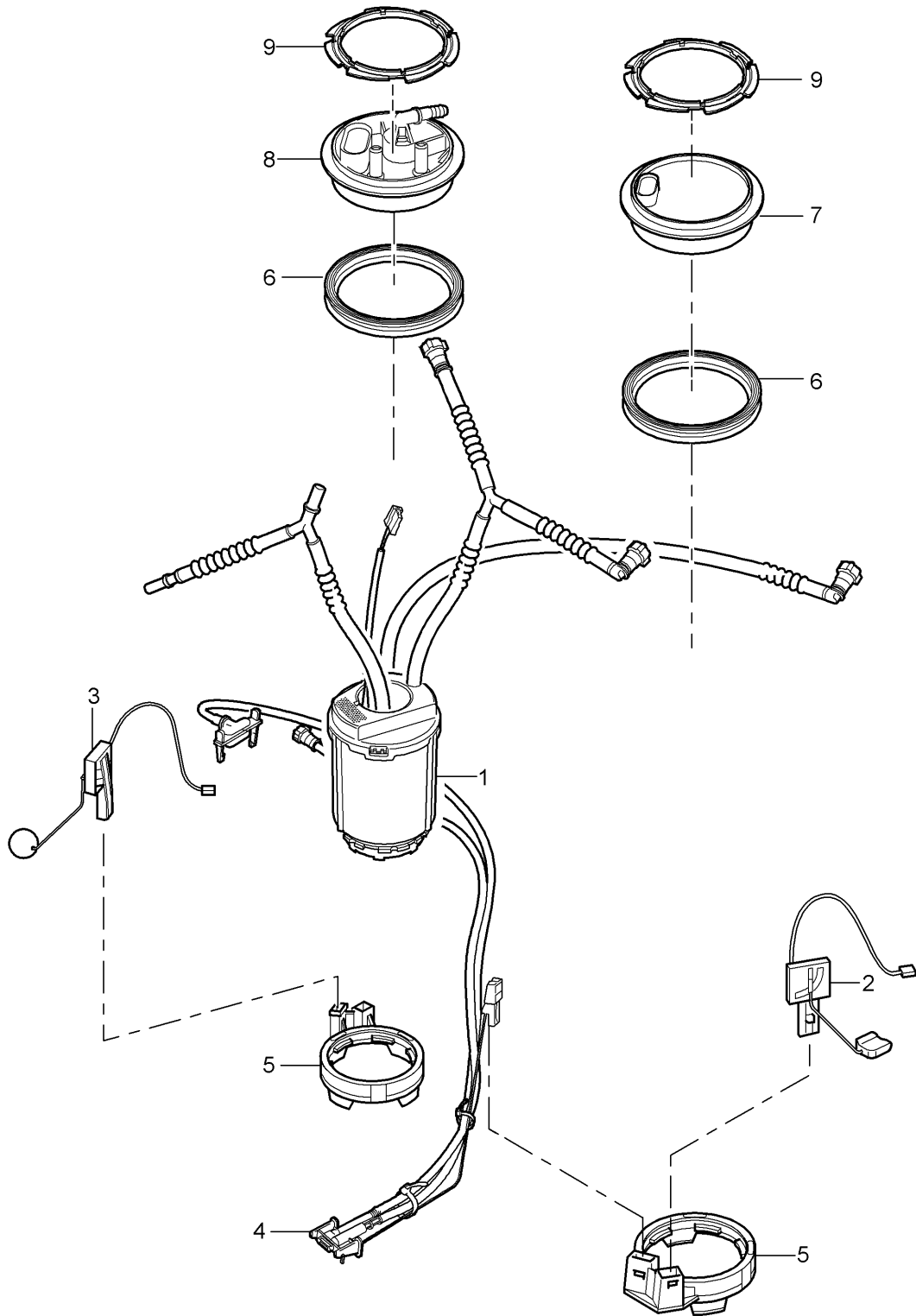
Model: 9PA108

Model life 2007>>2010

Pos	Part Number	Description	Remark	Qty	Model
1	955 620 131 00	Fuel tank Fuel pump suction jet pump	left	1	
(1)	955 620 931 01	Fuel pump No longer use the part here	left	1	
(1)	955 620 131 20	Fuel pump also use:	955 620 911 00 left	1	PR: 2G6 "BR."
2	955 620 132 10	Fuel pump No longer use the part here	right	1	
(2)	955 620 932 01	Fuel pump	right	1	
(2)	955 620 132 30	Fuel pump	right	1	PR: 2G6 "BR."
3	955 620 805 00	Sender for fuel gauge	left	1	
4	955 620 806 01	Sender for fuel gauge	right	1	
5	955 620 231 00	suction jet pump	left	1	
6	955 620 232 10	suction jet pump	right	1	
7		catch Fuel pump Not available		2	
8	955 201 133 01	Fuel tank Use seal ring		2	
9	955 620 421 00	flange with:	left	1	
10	955 620 911 00	Fuel filter also use:	955 620 911 00	1	
(10)	955 620 911 01	Elbow fitting See technical information Service Group 2 KD-NR.2066 13/10 Discontinued part		1	
11	955 620 422 10	Elbow fitting See technical information Service Group 2 KD-NR.2066 13/10 flange	right	1	
(11)	955 620 422 20	pressure regulator flange with:	right	1	PR: 7VE, 7VL
12	955 201 623 01	pressure regulator Union nut		2	

Model: 9PA108

Model life 2007>>2010



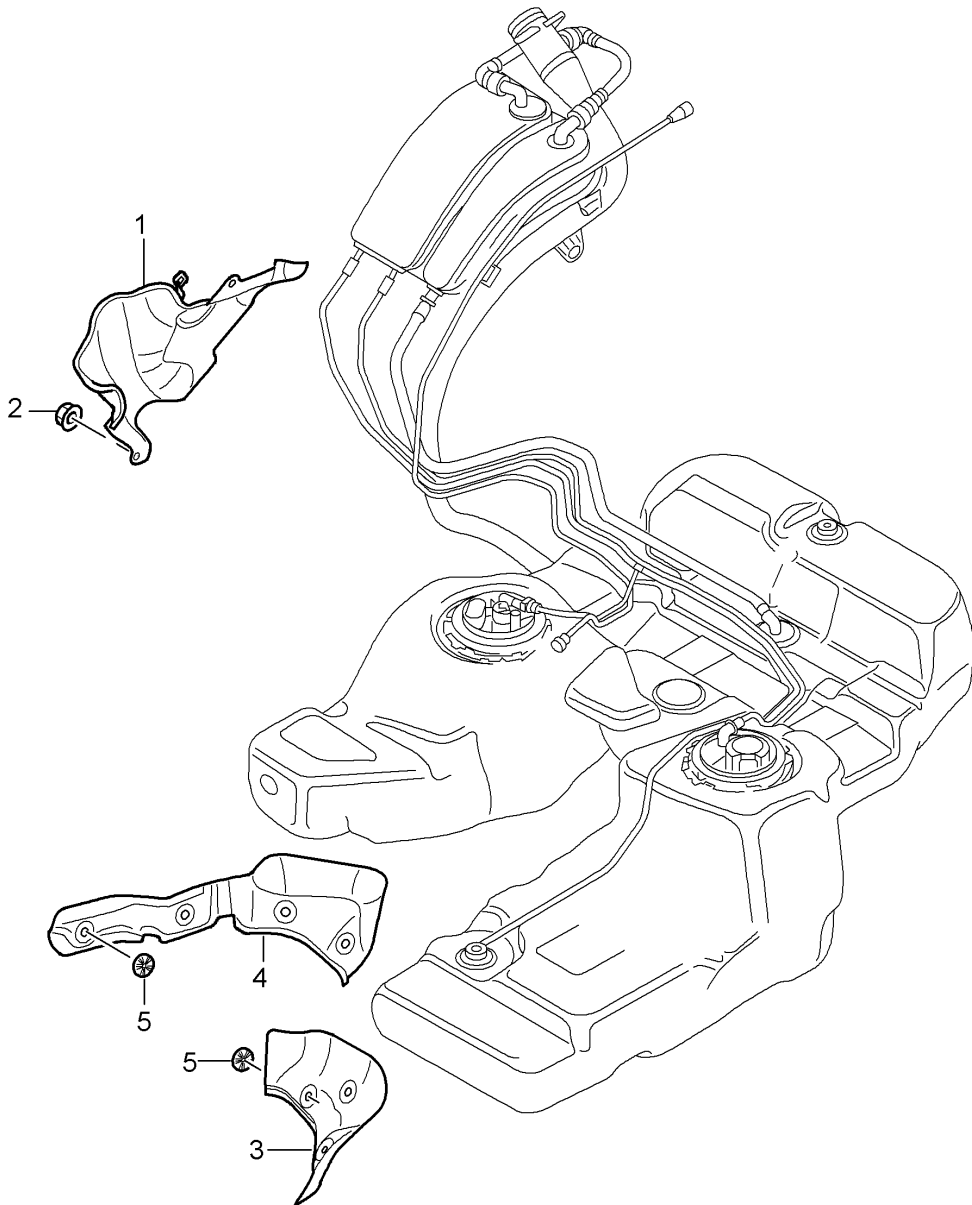
Model: 9PA108

Model life 2007>>2010

Pos	Part Number	Description	Remark	Qty	Model
		Fuel tank			PR:D50
		Fuel pump			
		suction jet pump			
1	955 620 132 40	Fuel pump	right	1	
2	955 620 805 00	Sender for	left	1	
		fuel gauge			
3	955 620 806 01	Sender for	right	1	
		fuel gauge			
4	955 620 231 40	suction jet pump	left	1	
5		catch		2	
		Fuel pump			
		Not available			
		Fuel tank			
		Use			
6	955 201 133 10	seal ring		2	
7	955 620 421 40	flange	left	1	
8	955 620 422 40	flange	right	1	
9	955 201 623 01	Union nut		2	

Model: 9PA108

Model life 2007>>2010



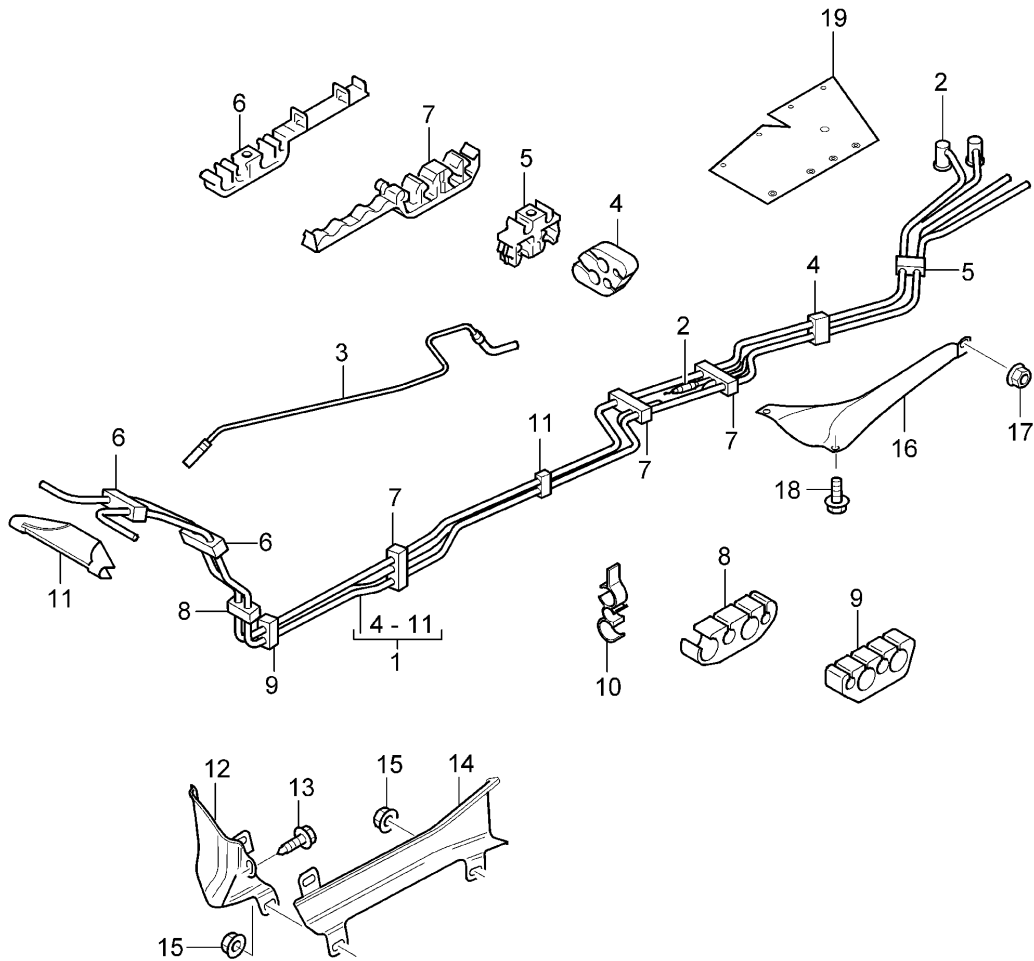
Model: 9PA108

Model life 2007>>2010

Pos	Part Number	Description	Remark	Qty	Model
1	955 201 206 02	Fuel tank Accessories Protective plate		1	
2	N 904 560 02	Hexagon collar nut M 6		3	
3	955 201 209 00	Guard plate for fuel tank	left	1	
4	955 201 210 10	Guard plate for fuel tank	right	1	
5	N 903 350 05	Clamping washer 5 X 30		7	

Model: 9PA108

Model life 2007>>2010



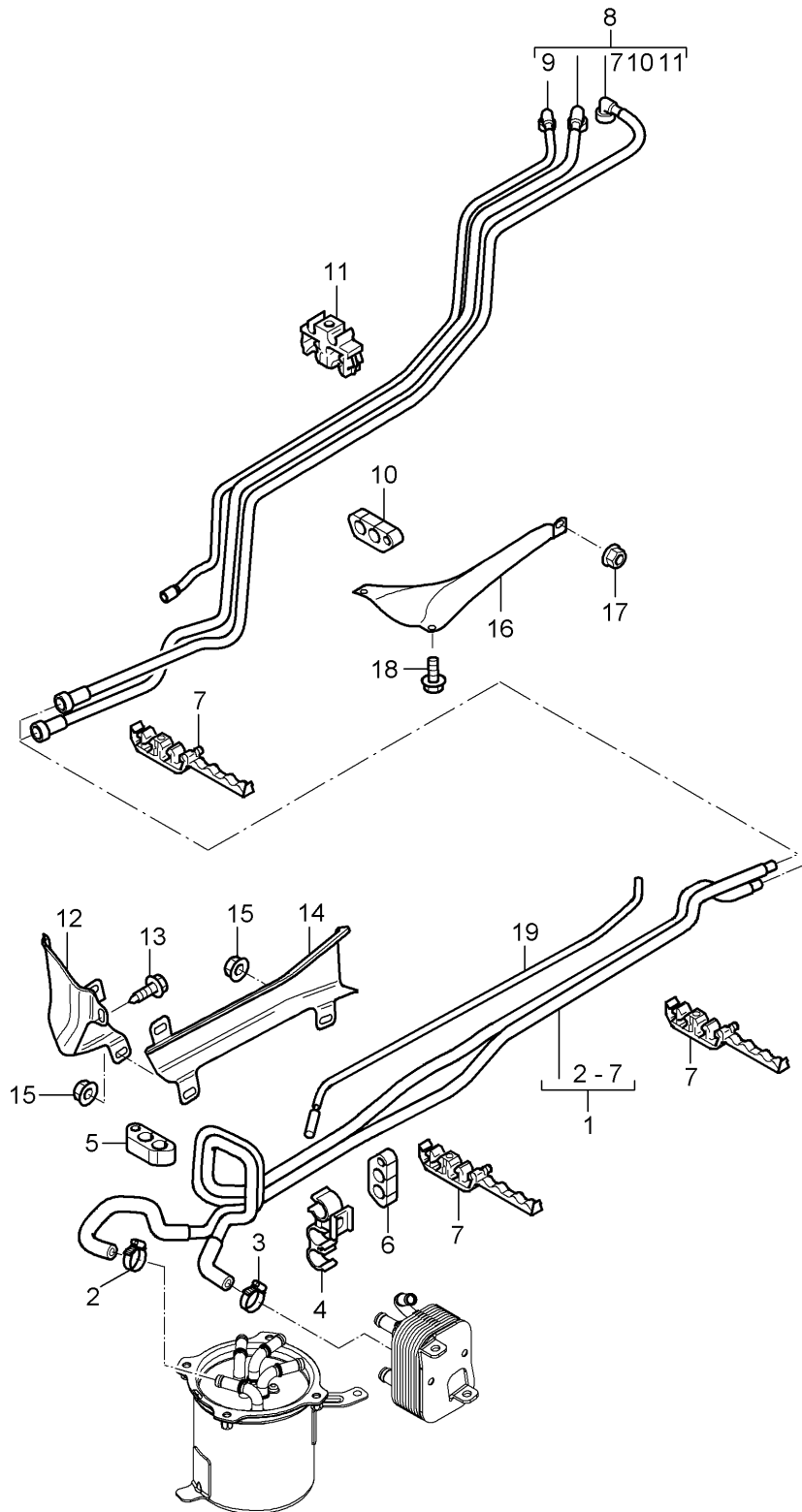
Model: 9PA108

Model life 2007>>2010

Pos	Part Number	Description	Remark	Qty	Model
1	955 201 080 05	Fuel system Fuel line Underbody 1 set of fuel lines		1	PR:2G1
(1)	955 201 080 06	Discontinued part 1 set of fuel lines		1	PR:2G1
(1)	955 201 080 05	1 set of fuel lines		1	PR:2G6 "BR."
(1)	955 201 080 06	Discontinued part 1 set of fuel lines		1	PR:2G6 "BR."
2	955 201 355 01	Fuel line		1	PR:7VE,7VL
-	N 101 981 01	Auxiliary heater Ear crimp hose clamp 11,8 x 5 x 0,5 Mount		1	PR:7VE,7VL
3		Fuel line Fuel pump Fuel line Auxiliary heater		1	PR:7VE,7VL
4	955 201 561 00	see illustration: Retainer for fuel line	813-080	1	
5	955 201 401 00	Retaining clip		1	
6	955 201 402 01	Retainer for fuel line		2	
7	955 201 449 01	Retainer for fuel line		3	
(7)	955 201 449 02	No longer use the part here Retainer for fuel line		3	
8	955 201 531 00	Bracket		1	
9	955 201 532 00	Bracket		1	
10	955 201 562 00	Retainer for fuel line		1	
11	955 201 450 00	Securing clip		1	
12	955 201 205 10	Protective plate		1	PR:D5X
(12)	955 201 205 11	Discontinued part Protective plate		1	PR:D5X
(12)	955 201 205 20	Protective plate		1	PR:D5V,D5Z
(12)	955 201 205 21	Discontinued part Protective plate		1	PR:D5V,D5Z
13	N 100 092 07	hexagon head bolt (combi) M 6 X 20		1	
14	955 201 207 00	Protective plate		1	
15	N 908 786 02	Hexagon collar nut self-locking M 6		3	
16	955 201 208 02	Protective plate		1	
17	N 902 891 05	hexagon nut, self-locking M 8		1	
18	N 100 091 10	hexagon head bolt (combi) M 6 X 12		2	
19	955 201 963 00	Heat insulation Fuel line		1	PR:D5X

Model: 9PA108

Model life 2007>>2010



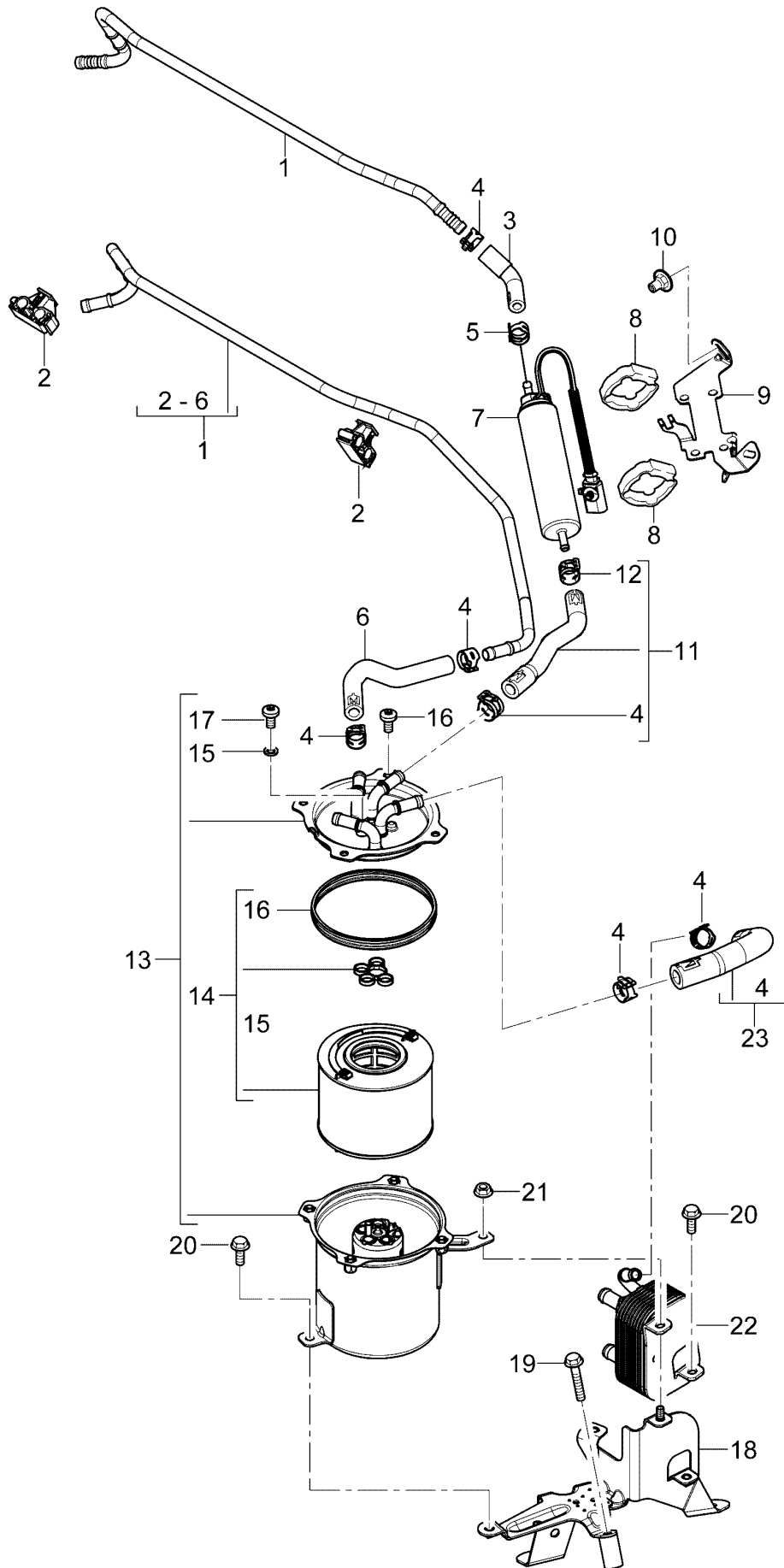
Model: 9PA108

Model life 2007>>2010

Pos	Part Number	Description	Remark	Qty	Model
		Fuel system			PR:D50
		Fuel line			
		Underbody			
1	955 201 080 30	1 set of fuel lines		1	
2	955 201 479 00	Hose clamp 16 X 12		1	
3	N 907 702 01	Spring band clamp B 17 X 12		1	
4	955 201 233 00	Retainer for fuel line		1	
5	955 201 631 00	Retainer for fuel line		1	
6	955 201 632 00	Retainer for fuel line		1	
7	955 201 449 02	Retainer for fuel line		3	
8	955 201 082 30	1 set of fuel lines		1	
9	955 201 355 01	Fuel line		1	
10	955 201 561 10	Retainer for fuel line		1	
11	955 201 401 00	Retaining clip		1	
12	955 201 205 00	Protective plate		1	
13	N 100 092 07	hexagon head bolt (combi) M 6 X 20		1	
14	955 201 207 00	Protective plate		1	
15	N 908 786 02	Hexagon collar nut self-locking M 6		3	
16	955 201 208 02	Protective plate		1	
17	N 902 891 05	hexagon nut, self-locking M 8		1	
18	N 100 091 10	hexagon head bolt (combi) M 6 X 12		2	
19		Fuel line Auxiliary heater see illustration:	813-080	1	

Model: 9PA108

Model life 2007>>2010



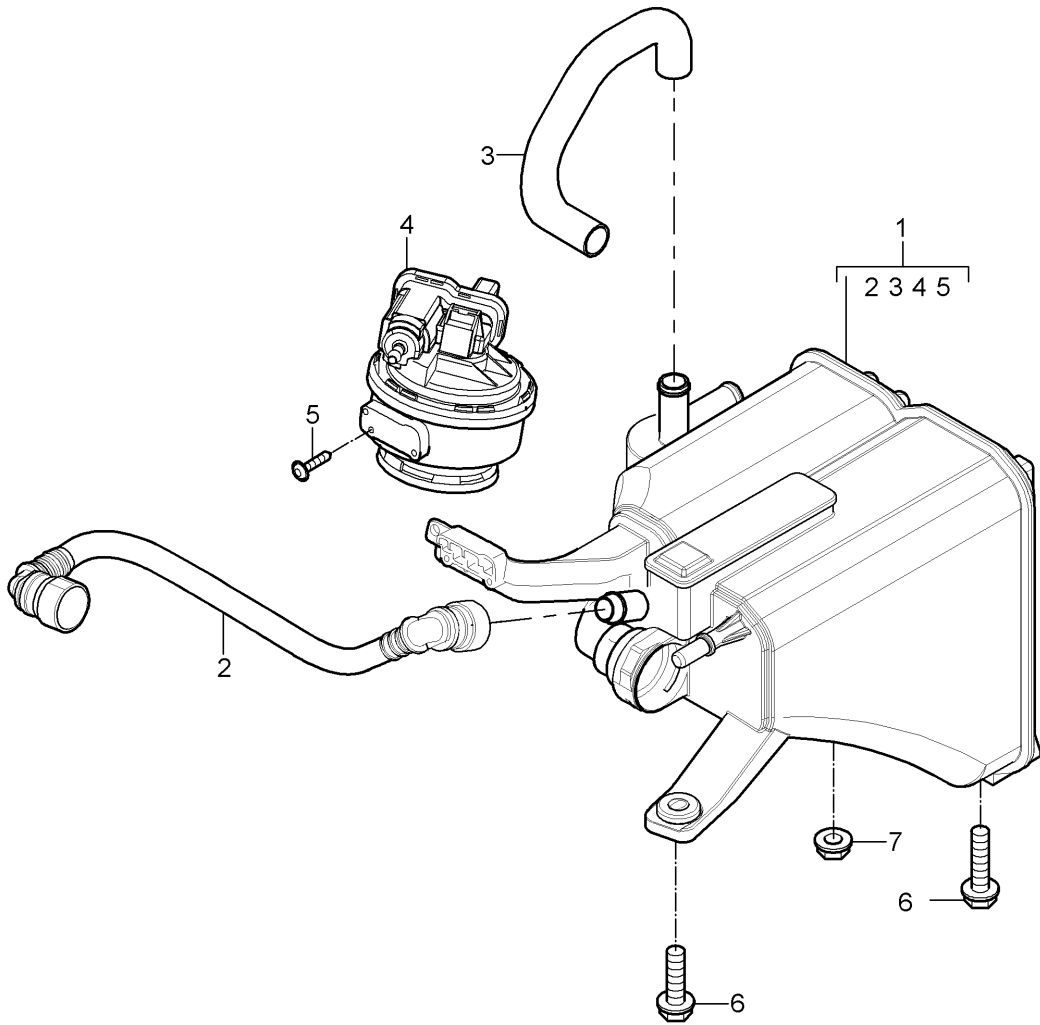
Model: 9PA108

Model life 2007>>2010

Pos	Part Number	Description	Remark	Qty	Model
		Fuel system			PR:D50
		Fuel line			
		Fuel filter			
		fuel cooling			
1	955 110 038 00	1 set of fuel lines		1	
2	955 110 233 01	Retainer for fuel line		2	
3	955 110 395 00	Fuel hose		1	
		Supply			
4	955 201 479 00	Hose clamp		6	
		16 X 12			
5	N 909 865 01	Spring band clamp		1	
		B 14,5 X 12			
6	955 110 395 10	Fuel hose		1	
		Return line			
		Discontinued part			
(6)	955 110 395 11	Fuel hose		1	
		Return line			
7	955 620 089 01	Fuel pump		1	
8	955 106 209 10	Rubber bush		2	
9	955 606 407 00	Bracket		1	
		Fuel pump			
10	955 111 548 03	panel nut		3	
		4,2			
11	955 110 395 20	Fuel hose		1	
		Supply			
		No longer use the part here			
(11)	955 110 395 21	Fuel hose		1	
		Supply			
12	N 906 867 01	Spring band clamp		1	
		B 14 X 12			
13	955 110 041 00	Fuel filter		1	
		(complete)			
14	955 110 134 00	filter element		1	
		with:			
		Seal			
15	955 110 113 00	seal ring		1	
		A 6,2 X 9,7			
16	955 110 313 00	Seal		1	
17	N 103 352 06	Hexagon socket flat		5	
		head bolt			
		M 6 X 12			
18	955 110 224 00	Bracket		1	
		Fuel filter			
19	N 101 161 03	hexagon head bolt (combi)		1	
		M 6 X 55			
20	N 904 407 06	Hexagon bolt		3	
		M 6 X 15			
21	N 015 082 13	Hexagon collar nut		1	
		M 6			
22	955 201 091 04	fuel cooler		1	
23	955 110 395 30	Fuel hose		1	
		Return line			

Model: 9PA108

Model life 2007>>2010



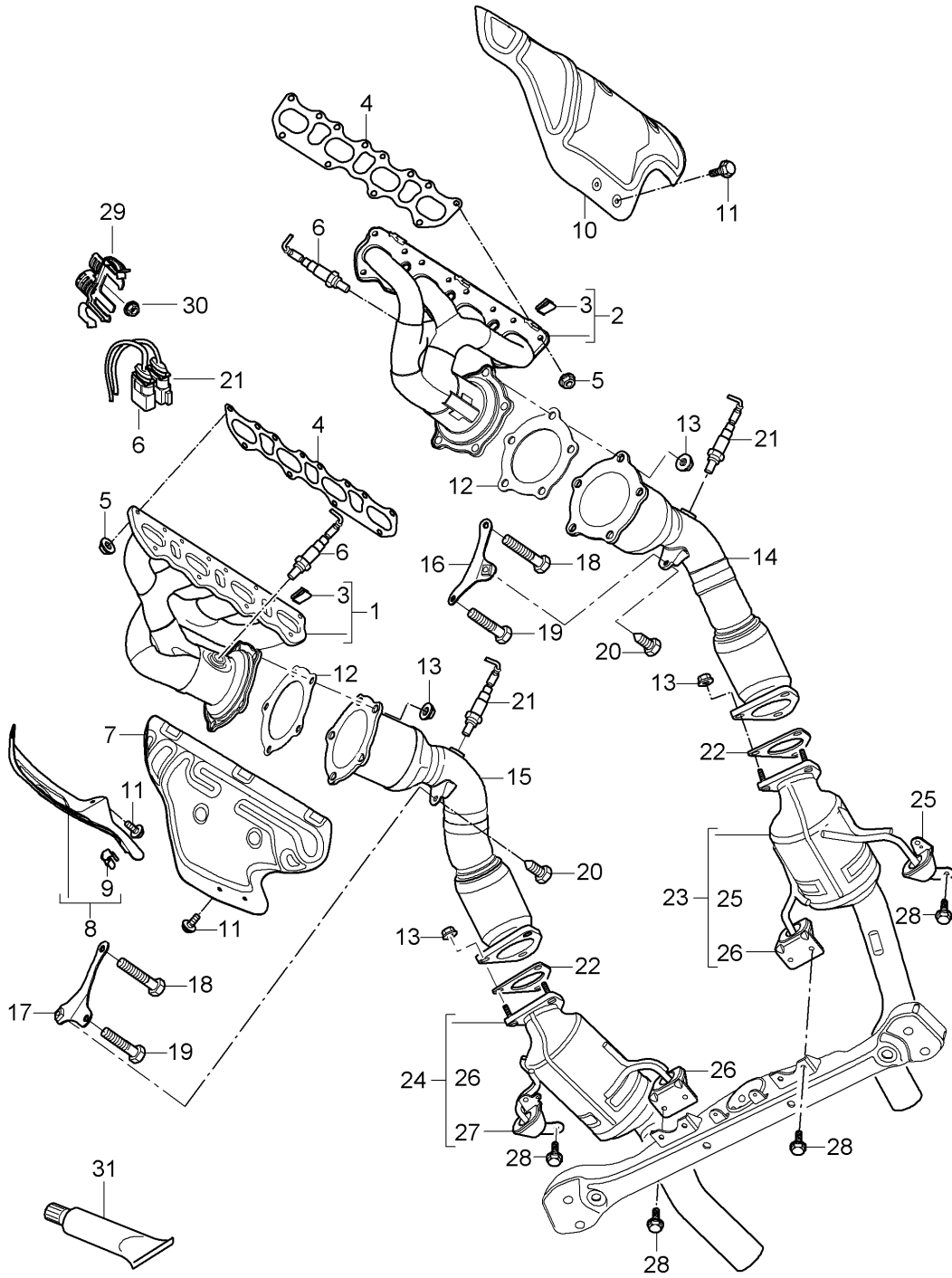
Model: 9PA108

Model life 2007>>2010

Pos	Part Number	Description	Remark	Qty	Model
1	955 201 081 14	Activated charcoal container Activated charcoal container Ready for installation		1	PR:2G1
1	955 201 081 14	Activated charcoal container Activated charcoal container Ready for installation		1	PR:2G6 "BR."
2	955 201 254 00	Pressure line		1	
3	955 201 255 12	Vent hose		1	PR:2G1
3	955 201 255 12	Vent hose		1	PR:2G6 "BR."
6	N 105 284 02	Hex collared bolt M 6 X 30		2	
7	N 904 560 02	Hexagon collar nut M 6		1	

Model: 9PA108

Model life 2007>>2010



Model: 9PA108

Model life 2007>>2010

Pos	Part Number	Description	Remark	Qty	Model
		exhaust system Exhaust manifolds Catalytic converter			PR:D5V
1	948 111 129 00	Exhaust manifolds Cylinders 1 - 4		1	
2	948 111 130 00	Exhaust manifolds Cylinders 5 - 8		1	
3	948 111 213 00	Clip		6	
4	948 111 181 01	Seal		2	
5	999 084 642 02	Exhaust manifolds Hexagon nut M 8		24	
6	948 606 131 00	Lambda probe in front of Catalytic converter		2	
(6)	948 606 131 01	Discontinued part Lambda probe in front of Catalytic converter		2	
(6)	948 606 131 02	Discontinued part Lambda probe in front of Catalytic converter		2	
7	955 111 212 00	Guard plate Exhaust manifolds Cylinders 1 - 4		1	
(7)	955 111 212 01	No longer use the part here Guard plate Exhaust manifolds Cylinders 1 - 4		1	
8	955 111 242 00	Guard plate Exhaust manifolds		1	
9	955 111 513 00	Alternator		1	
10	955 111 213 00	Clip Guard plate Exhaust manifolds Cylinders 5 - 8		1	
(10)	955 111 213 01	No longer use the part here Guard plate Exhaust manifolds Cylinders 5 - 8		1	
11	N 101 563 07	Hex collared bolt M 6 X 12		6	
12	955 111 113 60	Seal		2	
13	N 908 946 02	hexagon nut, self-locking M 8		16	
14	955 113 021 30	Exhaust pipe with catalyst Cylinders 5 - 8		1	
(14)	955 113 021 31	Discontinued part Exhaust pipe with catalyst Cylinders 5 - 8		1	
(14)	955 113 021 CX	Exhaust pipe with catalyst Cylinders 5 - 8		1	
15	955 113 022 30	Exhaust pipe with catalyst Cylinders 1 - 4		1	
(15)	955 113 022 31	Discontinued part Exhaust pipe with catalyst Cylinders 1 - 4		1	
(15)	955 113 022 CX	Exhaust pipe with catalyst Cylinders 1 - 4		1	
16	955 111 161 30	Support	left	1	
17	955 111 162 30	Support	right	1	
18	WHT 002 782	Hexagon bolt		2	

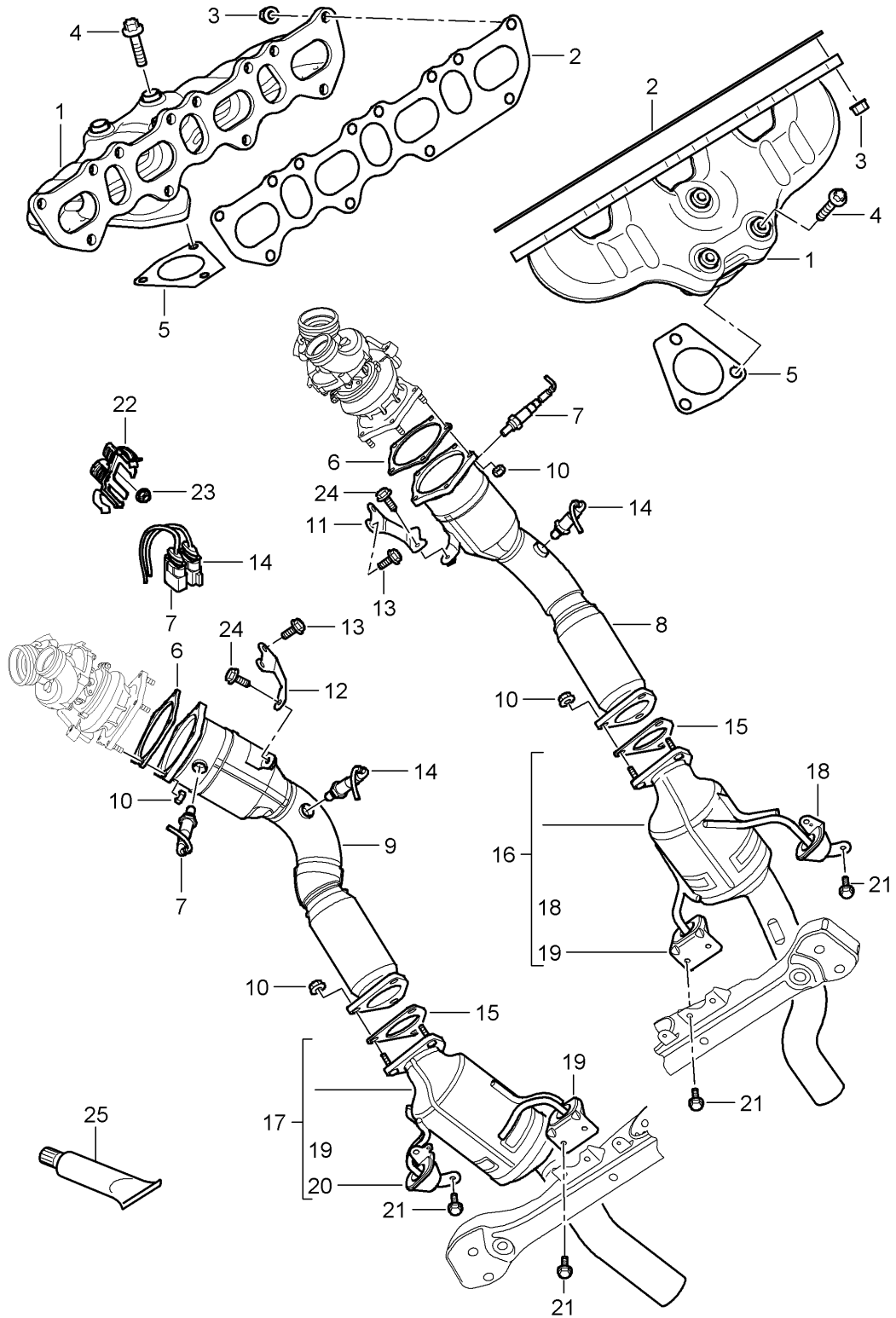
Model: 9PA108

Model life 2007>>2010

Pos	Part Number	Description	Remark	Qty	Model
19	N 910 181 02	AM 12 X 1,5 X 75 Hexagon bolt		2	
20	N 019 530 7	AM 12 X 1,5 X 70 Hex collared bolt		2	
21	955 606 178 00	M 8 X 25 Lambda probe After Catalytic converter		2	
22	955 111 113 10	Seal		2	
23	955 113 023 40	Catalytic converter	left	1	
23	955 113 023 EX	Catalytic converter	left	1	
24	955 113 024 40	Catalytic converter	right	1	
24	955 113 024 DX	Catalytic converter	right	1	
25	955 111 227 10	Bracket	left	1	
26	955 111 227 20	Bracket		2	
27	955 111 228 00	Bracket	right	1	
28	N 908 797 02	Hexagon bolt M 8 X 25		8	
29	955 606 114 20	Holder for lambda probe Connector water box		2	
30	N 100 151 01	Hexagon nut A 5		2	
31	000 043 207 07	grease for oxygen sensor		1	

Model: 9PA108

Model life 2007>>2010



Model: 9PA108 Model life 2007>>2010

Pos	Part Number	Description	Remark	Qty	Model
		exhaust system Exhaust manifolds Catalytic converter			PR:D5Z
1	948 111 129 51	Exhaust manifolds		2	
2	948 111 181 01	Seal Exhaust manifolds		2	
3	999 084 642 02	Hexagon nut M 8		24	
4	999 073 271 01	Torx screw BM 8 X 75		6	
5	948 123 203 52	Seal Exhaust gas turbocharger		2	
6	955 111 113 20	Seal Exhaust pipe		2	
7	955 606 168 00	Lambda probe in front of Catalytic converter		2	
(7)	955 606 168 01	Discontinued part Lambda probe in front of Catalytic converter		2	
8	955 113 021 40	Exhaust pipe with catalyst Cylinders 5 - 8		1	
(8)	955 113 021 50	Discontinued part Exhaust pipe with catalyst Cylinders 5 - 8		1	
(8)	955 113 021 DX	Exhaust pipe with catalyst Cylinders 5 - 8		1	
9	955 113 022 40	Exhaust pipe with catalyst Cylinders 1 - 4		1	
(9)	955 113 022 50	Discontinued part Exhaust pipe with catalyst Cylinders 1 - 4		1	
(9)	955 113 022 DX	Exhaust pipe with catalyst Cylinders 1 - 4		1	
10	N 908 946 02	hexagon nut, self-locking M 8		16	
11	955 111 161 20	Support	left	1	
		M >> 9 01688			
		M >> T 9 01787			
		M >> S 9 00561			
(11)	955 111 161 10	Retainer for exhaust pipe M 9 01689 >> M T 9 01788 >> M S 9 00562 >>	left	1	
12	955 111 162 20	Support	right	1	
		M >> 9 01688			
		M >> T 9 01787			
		M >> S 9 00561			
(12)	955 111 162 00	Retainer for exhaust pipe M 9 01689 >> M T 9 01788 >> M S 9 00562 >>	right	1	
13	N 101 559 06	Hex collared bolt M 8 X 20		4	
		M >> 9 01688			
		M >> T 9 01787			
		M >> S 9 00561			
(13)	N 107 141 01	Hexagon flange screw M 10 X 25 M 9 01689 >> M T 9 01788 >> M S 9 00562 >>		4	

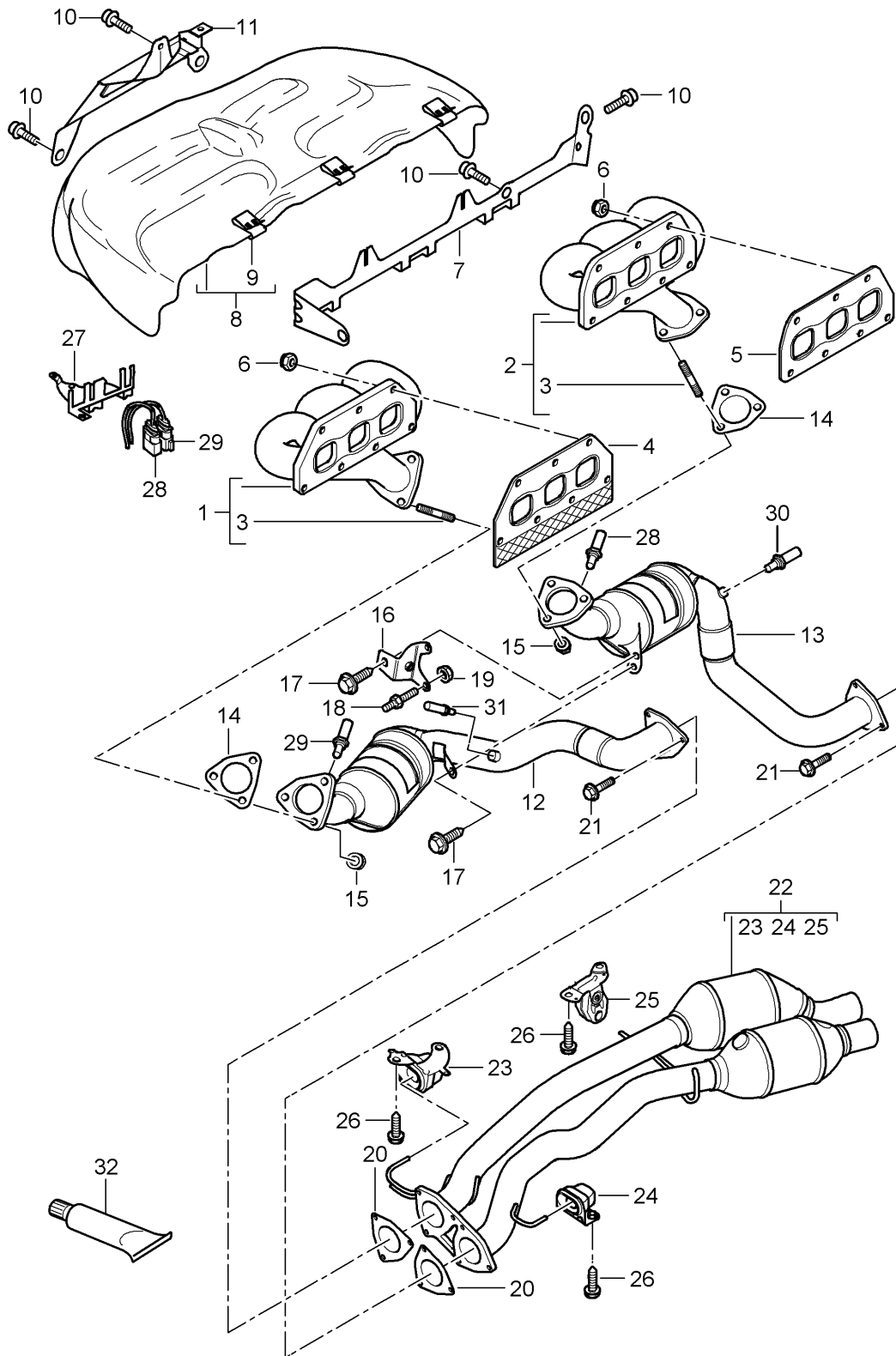
Model: 9PA108

Model life 2007>>2010

Pos	Part Number	Description	Remark	Qty	Model
14	955 606 178 00	Lambda probe After Catalytic converter		2	
15	955 111 113 10	Seal		2	
16	955 113 023 50	Catalytic converter	left	1	
16	955 113 023 FX	Catalytic converter	left	1	
17	955 113 024 50	Catalytic converter	right	1	
17	955 113 024 EX	Catalytic converter	right	1	
18	955 111 227 10	Bracket	left	1	
19	955 111 227 20	Bracket		2	
20	955 111 228 00	Bracket	right	1	
21	N 908 797 02	Hexagon bolt M 8 X 25		8	
22	955 606 114 20	Holder for lambda probe Connector water box		2	
23	N 100 151 01	Hexagon nut A 5		2	
24	N 019 530 7	Hex collared bolt M 8 X 25		2	
25	000 043 207 07	grease for oxygen sensor		1	

Model: 9PA108

Model life 2007>>2010



Model: 9PA108

Model life 2007>>2010

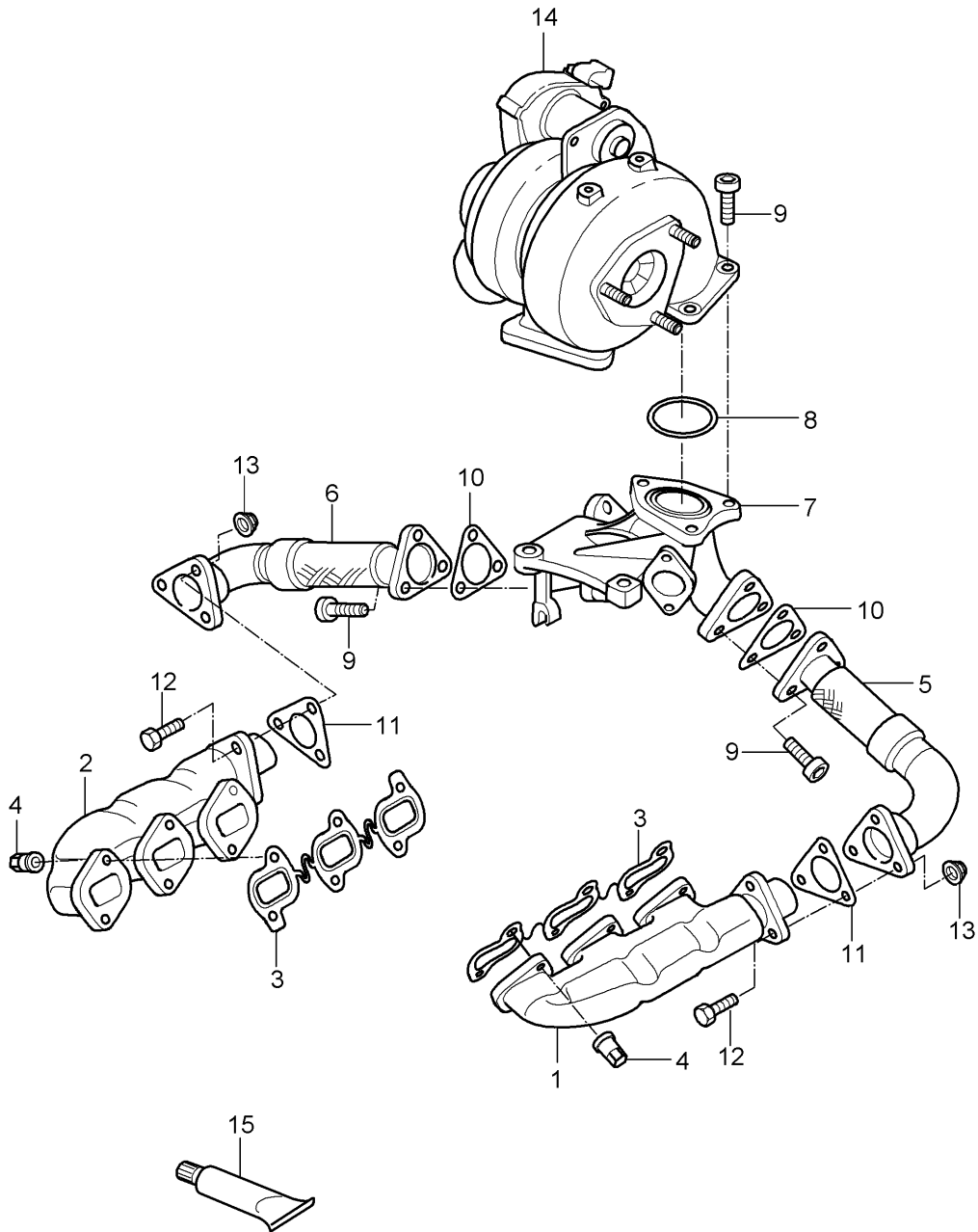
Pos	Part Number	Description	Remark	Qty	Model
		exhaust system Exhaust manifolds Catalytic converter			PR:D5X
1	955 111 019 00	Exhaust manifolds Cyl. 1 - 3		1	
2	955 111 020 00	Exhaust manifolds Cyl. 4 - 6		1	
3	N 044 517 7	Threaded pin M 10 X 25		6	
4	955 111 171 00	Seal Cyl. 1 - 3		1	
5	955 111 172 00	Seal Cyl. 4 - 6		1	
6	N 908 946 01	hexagon nut, self-locking M 8		14	
7	955 110 228 10	bracket for shield		1	
8	955 111 215 00	Guard plate		1	
9	955 111 513 10	Clip		3	
10	N 106 649 01	Socket head collared bolt with inner multipoint head M 8 X 16		7	
11	955 111 149 10	Bracket		1	
12	955 113 033 01	Exhaust pipe with catalyst Cyl. 1 - 3 D >> - MJ 2009		1	PR:0GG,0GU
(12)	955 113 033 02	Exhaust pipe with catalyst Cyl. 1 - 3 D - MJ 2010>>		1	PR:0GG,0GU
(12)	955 113 033 AX	Exhaust pipe with catalyst Cyl. 1 - 3 D - MJ 2010>>		1	PR:0GG,0GU
12	955 113 033 01	Exhaust pipe with catalyst Cyl. 1 - 3 D >> - MJ 2009		1	PR:0GG "MEX"
(12)	955 113 033 02	Exhaust pipe with catalyst Cyl. 1 - 3 D - MJ 2010>>		1	PR:0GG "MEX"
13	955 113 034 01	Exhaust pipe with catalyst Cyl. 4 - 6 D >> - MJ 2009		1	PR:0GG,0GU
(13)	955 113 034 02	Exhaust pipe with catalyst Cyl. 4 - 6 D - MJ 2010>>		1	PR:0GG,0GU
(13)	955 113 034 AX	Exhaust pipe with catalyst Cyl. 4 - 6 D - MJ 2010>>		1	PR:0GG,0GU
13	955 113 034 01	Exhaust pipe with catalyst Cyl. 4 - 6 D >> - MJ 2009		1	PR:0GG "MEX"
(13)	955 113 034 02	Exhaust pipe with catalyst Cyl. 4 - 6 D - MJ 2010>>		1	PR:0GG "MEX"
(13)	955 113 034 AX	Exhaust pipe with catalyst Cyl. 4 - 6 D - MJ 2010>>		1	PR:0GG "MEX"
14	955 111 113 40	Seal		2	
15	N 102 090 07	hexagon nut, self-locking M 10		6	

Model: 9PA108 Model life 2007>>2010

Pos	Part Number	Description	Remark	Qty	Model
16	955 111 047 00	Support panel D >> - MJ 2009		1	
(16)	955 111 047 01	Support panel D - MJ 2010>>		1	
17	N 019 530 7	Hex collared bolt M 8 X 25		2	
18		Screw see illustration:	320-005	2	
19	N 908 946 02	hexagon nut, self-locking M 8 D >> - MJ 2009		2	
20	955 111 113 50	Seal		2	
21	N 101 281 10	Hexagon bolt M 8 X 30		6	
22	955 113 023 30	Catalytic converter Discontinued part		1	
(22)	955 113 023 31	Catalytic converter		1	
(22)	955 113 023 DX	Catalytic converter		1	
23	955 111 228 00	Bracket		1	
24	955 111 227 20	Bracket		1	
25	955 111 227 30	Bracket		1	
26	N 908 797 02	Hexagon bolt M 8 X 25		6	
27	955 606 114 30	Holder for lambda probe Connector		1	
28	955 606 129 30	Lambda probe in front of Catalytic converter Cyl. 4 - 6		1	
29	955 606 128 30	Lambda probe in front of Catalytic converter Cyl. 1 - 3		1	
30	955 606 137 30	Lambda probe After Catalytic converter Cyl. 4 - 6		1	
31	955 606 136 30	Lambda probe After Catalytic converter Cyl. 1 - 3		1	
32	000 043 207 07	grease for oxygen sensor		1	

Model: 9PA108

Model life 2007>>2010



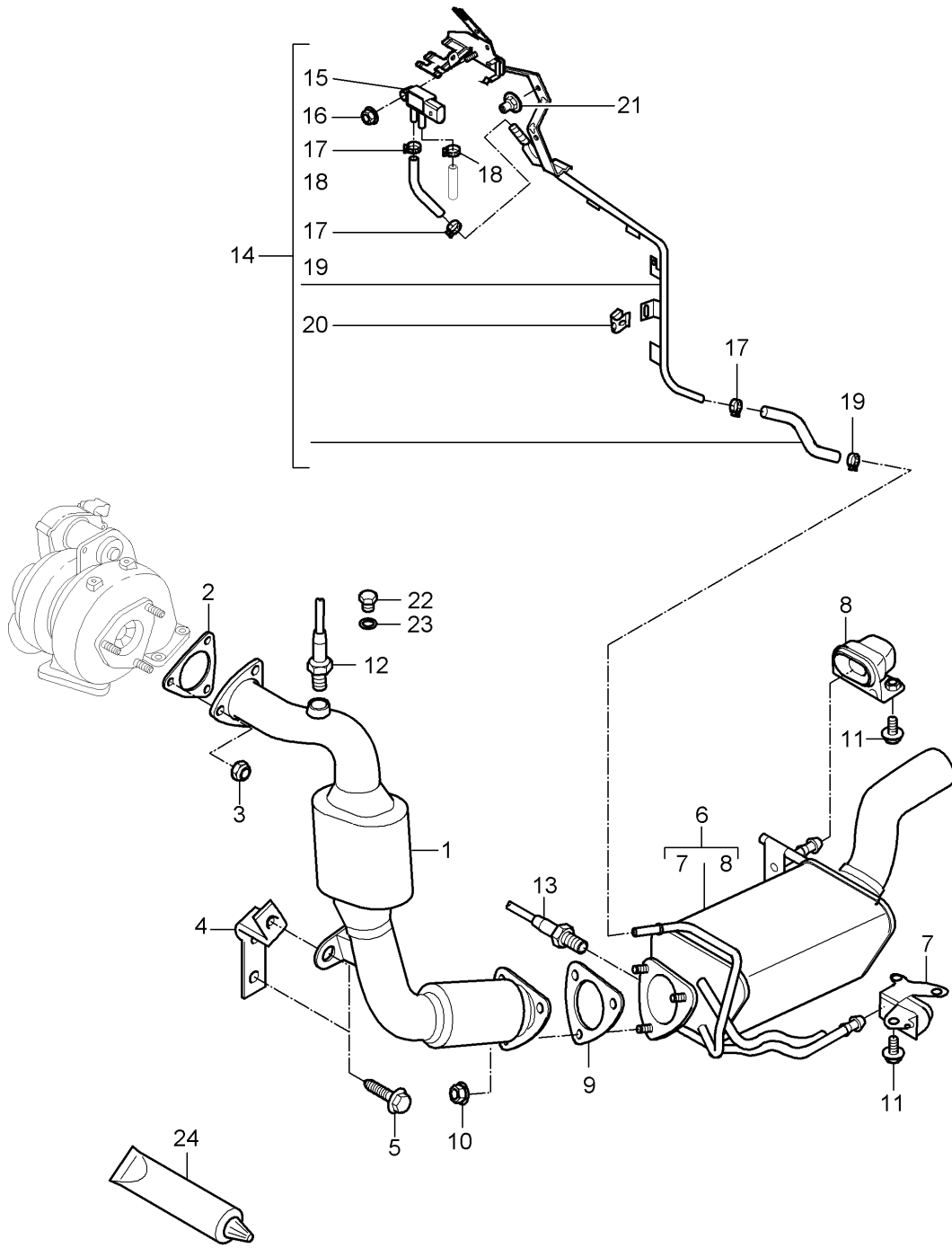
Model: 9PA108

Model life 2007>>2010

Pos	Part Number	Description	Remark	Qty	Model
		exhaust system			059D
1	955 111 019 10	Exhaust manifolds Exhaust manifolds Discontinued part	left	1	
(1)	958 111 019 00	Exhaust manifolds	left	1	
2	955 111 020 10	Exhaust manifolds Discontinued part	right	1	
(2)	958 111 020 00	Exhaust manifolds	right	1	
3	955 111 171 10	Seal		2	
4	955 111 529 00	Hexagon nut M 8		12	
5	955 111 089 00	Exhaust pipe Discontinued part	left	1	
(5)	958 111 089 00	Exhaust pipe	left	1	
6	955 111 090 00	Exhaust pipe Discontinued part	right	1	
(6)	958 111 090 00	Exhaust pipe	right	1	
7	955 111 079 00	Pipe union		1	
8	955 111 205 00	seal ring		1	
9	N 910 461 01	Socket head collared bolt with inner multipoint head M 8 X 22		9	
10	955 111 113 70	Seal		2	
11	955 111 113 90	Seal		2	
12	N 010 244 26	Hexagon bolt M 8 X 30		6	
13	N 911 308 01	Hexagon collar nut self-locking M 8		6	
14		Exhaust gas turbocharger see illustration:	202-040	1	
15	000 043 207 47	hot-bolt-paste 1 tube 170 Gr.		1	

Model: 9PA108

Model life 2007>>2010

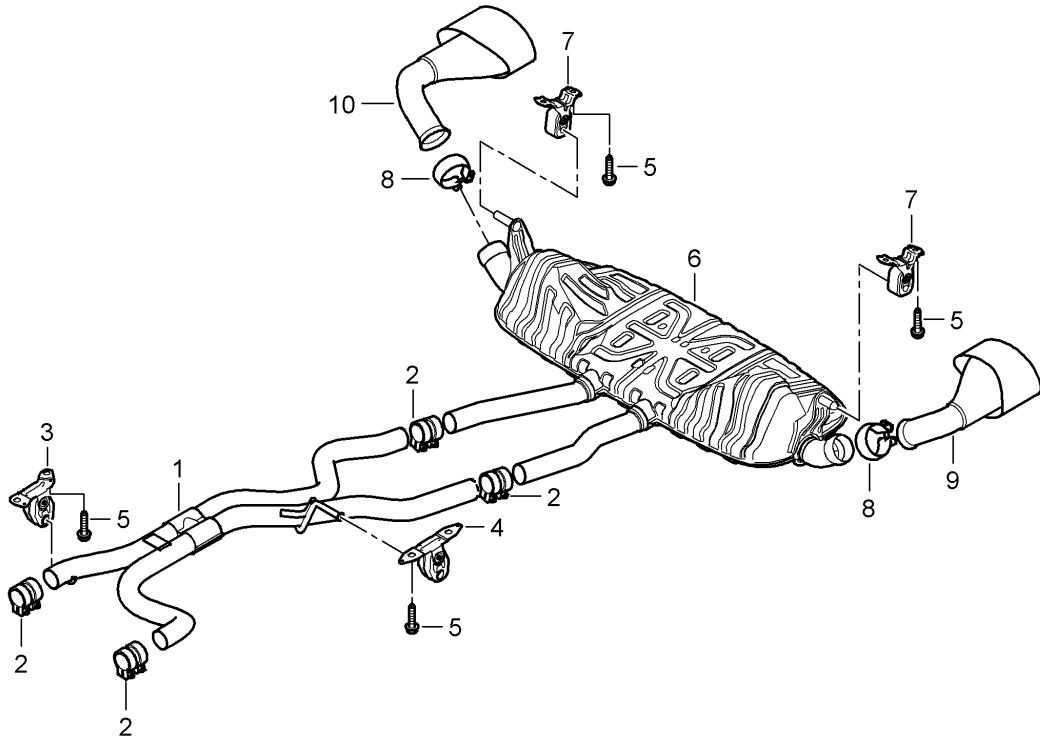


Model: 9PA108 Model life 2007>>2010

Pos	Part Number	Description	Remark	Qty	Model
		exhaust system			PR:D50
		Exhaust pipe			
		with:			
		Catalytic converter			
		Diesel particle filter			
		Control line			
1	955 113 037 00	Exhaust pipe with catalyst		1	PR:7GG
1	955 113 037 AX	Exhaust pipe with catalyst		1	PR:7GG
(1)	955 113 037 10	Exhaust pipe with catalyst		1	PR:0GZ
		also use:			
			N 029 704 2	1	
			N 013 832 6	1	
2	955 111 113 80	Seal		1	
3	N 908 946 01	hexagon nut, self-locking M 8		3	
4	955 111 047 10	Support panel		1	
5	N 019 533 10	Hex collared bolt M 8 X 20		3	
6	955 113 023 60	Diesel particulate filter		1	PR:7GG
6	955 113 023 GX	Diesel particulate filter		1	PR:7GG
(6)	955 113 023 70	Catalytic converter		1	PR:0GZ
7	955 111 228 10	Bracket		1	
8	955 111 228 20	Bracket		1	
9	955 111 113 10	Seal		1	
10	N 908 946 02	hexagon nut, self-locking M 8		3	
11	N 908 797 02	Hexagon bolt M 8 X 25		3	
12	955 606 168 10	Lambda probe		1	PR:7GG
		Discontinued part			
(12)	955 606 168 20	Lambda probe		1	PR:7GG
13	955 606 288 00	Temperature sensor		1	PR:7GG
		Exhaust gas			
14	955 111 060 00	Control line		1	PR:7GG
		Discontinued part			
(14)	955 111 060 01	Control line		1	PR:7GG
(14)	955 111 649 00	Bracket		1	PR:0GZ
		Connector			
		Temperature sensor			
15	955 606 151 00	Pressure sensor		1	PR:7GG
		Discontinued part			
(15)	958 606 151 10	Pressure sensor		1	PR:7GG
16	N 023 002 12	hexagon nut, self-locking M 6		1	PR:7GG
17	N 906 867 01	Spring band clamp B 14 X 12		3	PR:7GG
18	955 111 483 00	clamp B 11,5 X 8		1	PR:7GG
19	N 907 702 01	Spring band clamp B 17 X 12		1	PR:7GG
20	955 606 525 00	cable terminal		4	PR:7GG
21	955 111 548 03	panel nut		3	PR:7GG
		4,2			
(21)	955 111 548 03	panel nut		2	PR:0GZ
		4,2			
22	N 029 704 2	sealing plug M 18 X 1,5		1	PR:0GZ
23	N 013 832 6	seal ring A 18 X 22		1	PR:0GZ
24	000 043 207 47	hot-bolt-paste 1 tube 170 Gr.		1	

Model: 9PA108

Model life 2007>>2010



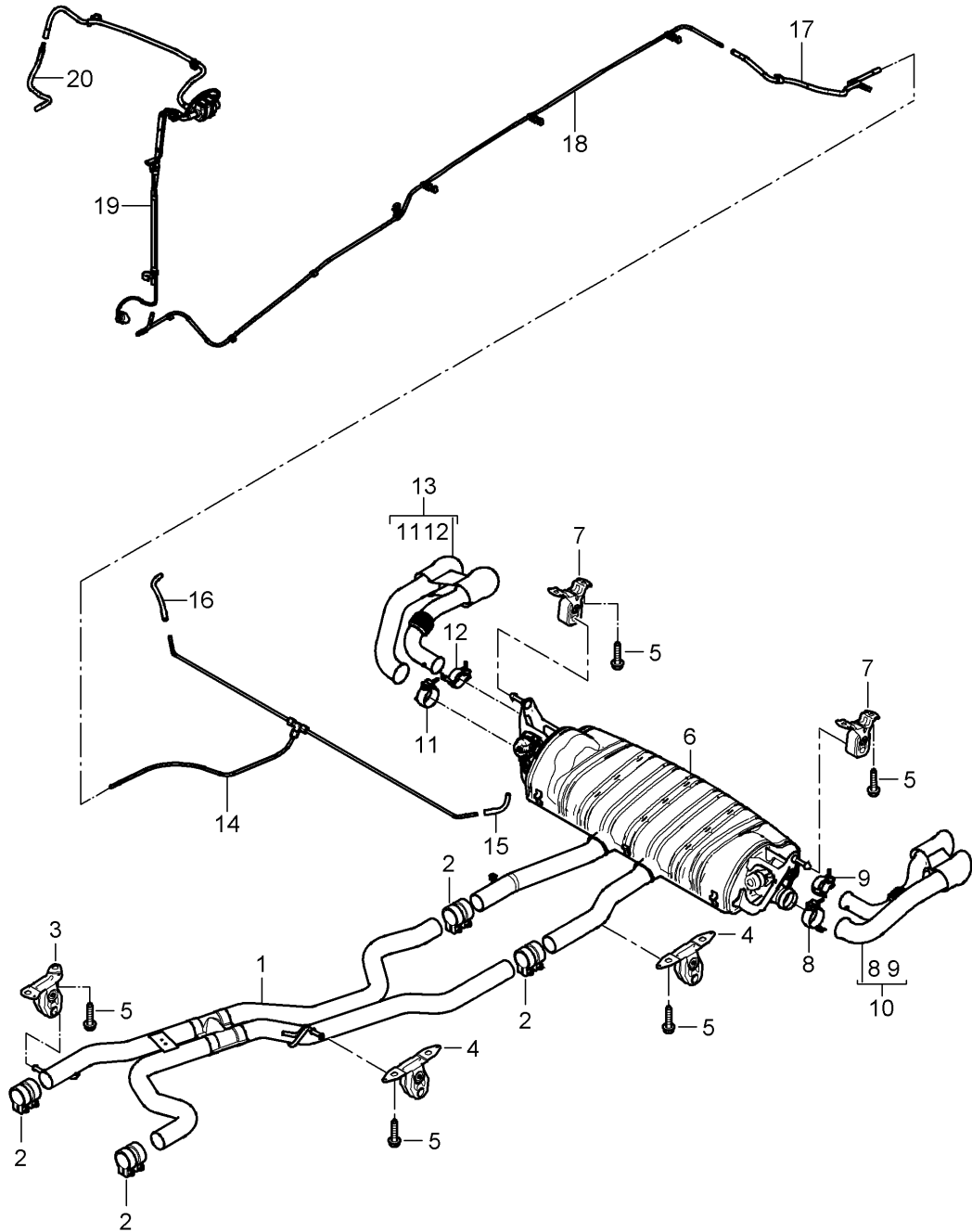
Model: 9PA108

Model life 2007>>2010

Pos	Part Number	Description	Remark	Qty	Model
		exhaust system			PR:D5V,0P0, 0P3
		Front silencer			
		Rear silencer			
		Tailpipe			
1	955 111 096 40	Front silencer		1	
2	955 111 220 12	Clamping sleeve		4	
3	955 111 227 30	Bracket		1	
			with:		
		Rubber			
4	955 111 227 40	Bracket		1	
			with:		
		Rubber			
5	N 908 797 02	Hexagon bolt M 8 X 25		8	
6	955 111 121 60	Rear silencer		1	
6	955 111 121 60	Rear silencer		1	"CN.", "MEX"
7	955 111 227 50	Bracket		2	
			with:		
		Rubber			
8	955 111 108 30	clamp		2	
9	955 111 251 40	Tailpipe	left	1	PR:0P0
(9)	955 111 251 71	Tailpipe	left	1	PR:0P3
10	955 111 252 40	Tailpipe	right	1	PR:0P0
(10)	955 111 252 71	Tailpipe	right	1	PR:0P3

Model: 9PA108

Model life 2007>>>2010

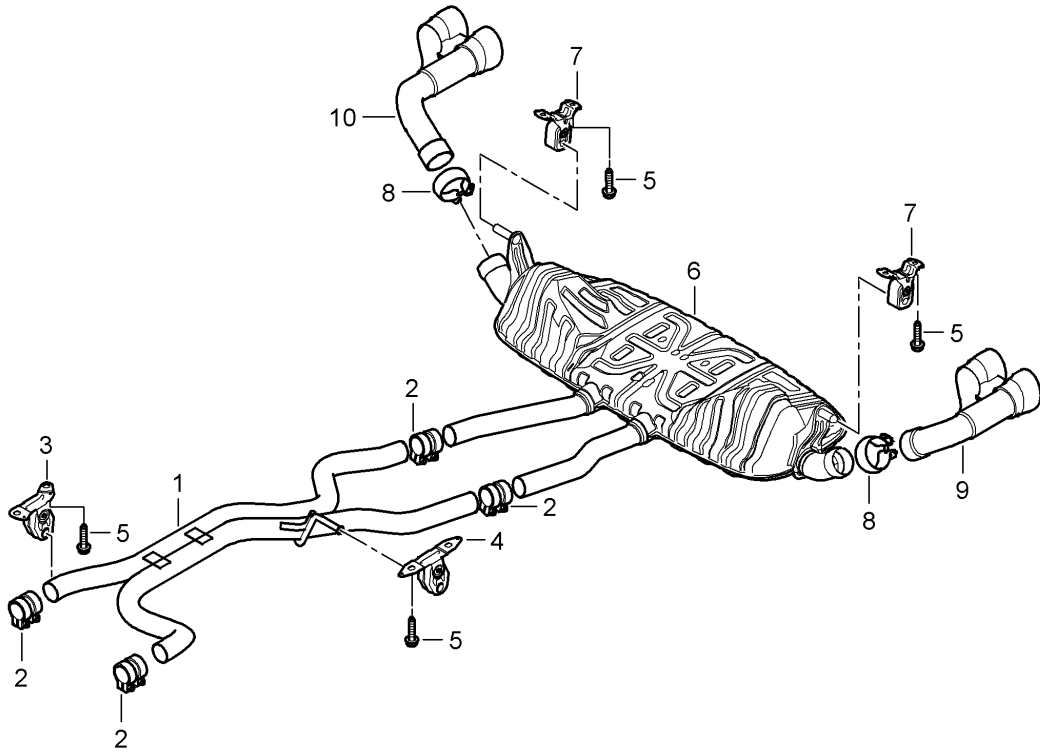


Model: 9PA108 Model life 2007>>2010

Pos	Part Number	Description	Remark	Qty	Model
		exhaust system Sport version Front silencer Rear silencer Tailpipe			PR:D5V,0P8
1	955 111 096 40	Front silencer		1	
2	955 111 220 12	Clamping sleeve		4	
3	955 111 227 30	Bracket		1	
		with:			
4	955 111 227 40	Rubber Bracket		1	
		with:			
5	N 908 797 02	Rubber Hexagon bolt M 8 X 25		8	
6	955 111 121 80	Rear silencer		1	
7	955 111 227 50	Bracket		2	
		with:			
8	955 111 108 50	Rubber clamp 60 MM	left	1	
9	955 111 108 40	clamp 50 MM	left	1	
10	955 111 251 60	Tailpipe	left	1	
11	955 111 108 70	clamp 60 MM	right	1	
12	955 111 108 60	clamp 50 MM	right	1	
13	955 111 252 60	Tailpipe	right	1	
14	955 111 160 40	Control line (complete)		1	
15	955 111 709 00	Vacuum hose	left	1	
16	955 111 710 00	Vacuum hose	right	1	
17	955 111 160 30	Vacuum line Rear axle		1	
18	955 111 160 20	Vacuum line Sill		1	
19	955 111 160 10	Vacuum line Wheel housing		1	
20	955 111 160 00	Vacuum line Engine bay		1	

Model: 9PA108

Model life 2007>>2010



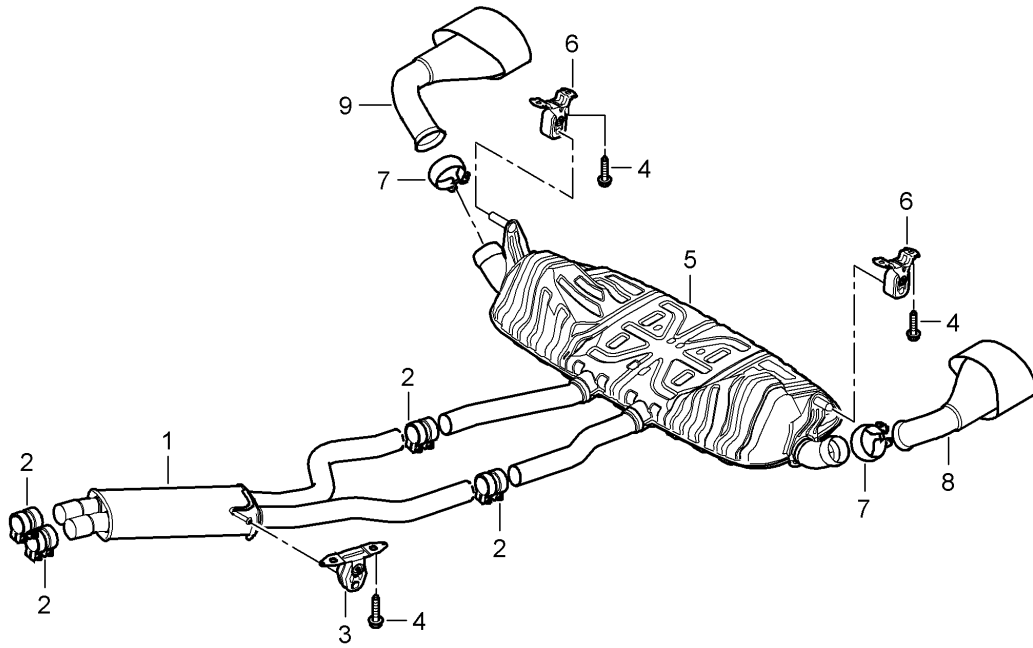
Model: 9PA108

Model life 2007>>2010

Pos	Part Number	Description	Remark	Qty	Model
		exhaust system			PR:D5Z,0P0,
		Front silencer			0P3
		Rear silencer			
		Tailpipe			
1	955 111 096 50	Front silencer		1	
2	955 111 220 21	Clamping sleeve		4	
3	955 111 227 30	Bracket		1	
			with:		
		Rubber			
4	955 111 227 40	Bracket		1	
			with:		
		Rubber			
5	N 908 797 02	Hexagon bolt		8	
		M 8 X 25			
6	955 111 121 70	Rear silencer		1	
7	955 111 227 50	Bracket		2	
			with:		
		Rubber			
8	955 111 108 30	clamp		2	
9	955 111 251 50	Tailpipe	left	1	PR:0P0
(9)	955 111 251 71	Tailpipe	left	1	PR:0P3
10	955 111 252 50	Tailpipe	right	1	PR:0P0
(10)	955 111 252 71	Tailpipe	right	1	PR:0P3

Model: 9PA108

Model life 2007>>2010



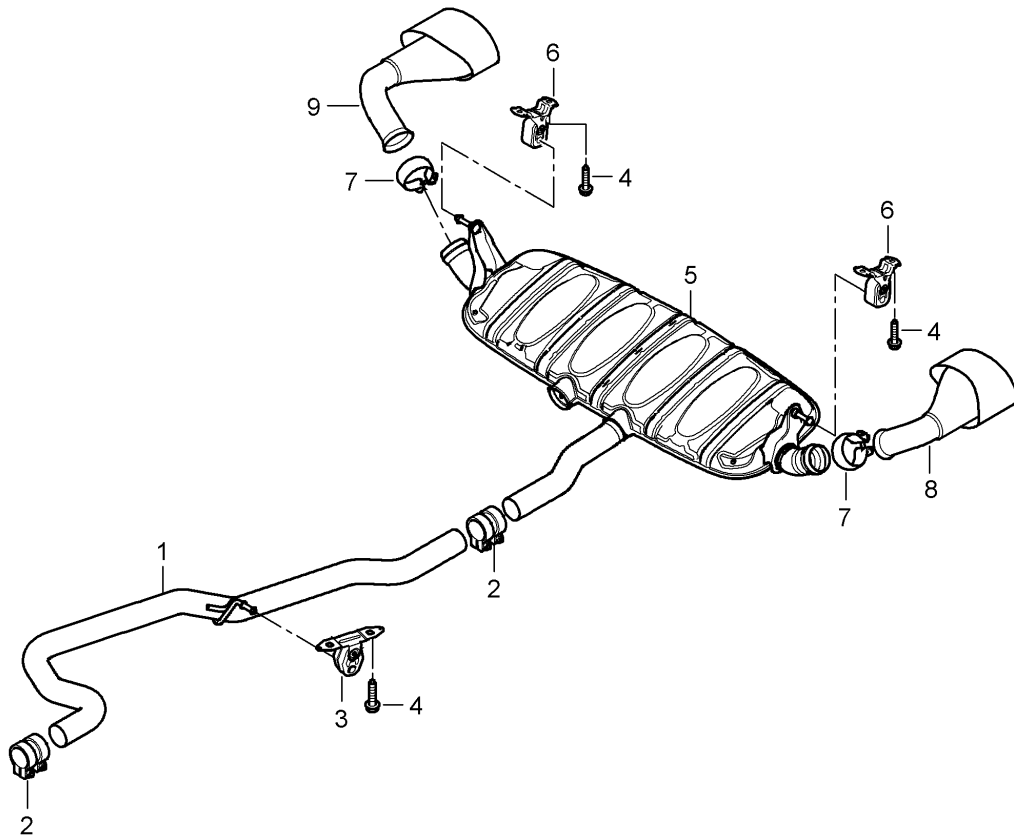
Model: 9PA108

Model life 2007>>2010

Pos	Part Number	Description	Remark	Qty	Model
		exhaust system			PR:D5X,0P0,
		Front silencer			0P3
		Rear silencer			
		Tailpipe			
1	955 111 096 30	Front silencer		1	
2	955 111 220 30	Clamping sleeve		4	
3	955 111 227 40	Bracket		1	
		with:			
4	N 908 797 02	Rubber			
		Hexagon bolt		6	
		M 8 X 25			
5	955 111 121 50	Rear silencer		1	
6	955 111 227 50	Bracket		2	
		with:			
7	955 111 108 30	Rubber			
		clamp		2	
8	955 111 251 30	tailpipe	left	1	PR:0P0
(8)	955 111 251 71	tailpipe	left	1	PR:0P3
9	955 111 252 30	tailpipe	right	1	PR:0P0
(9)	955 111 252 71	tailpipe	right	1	PR:0P3

Model: 9PA108

Model life 2007>>2010



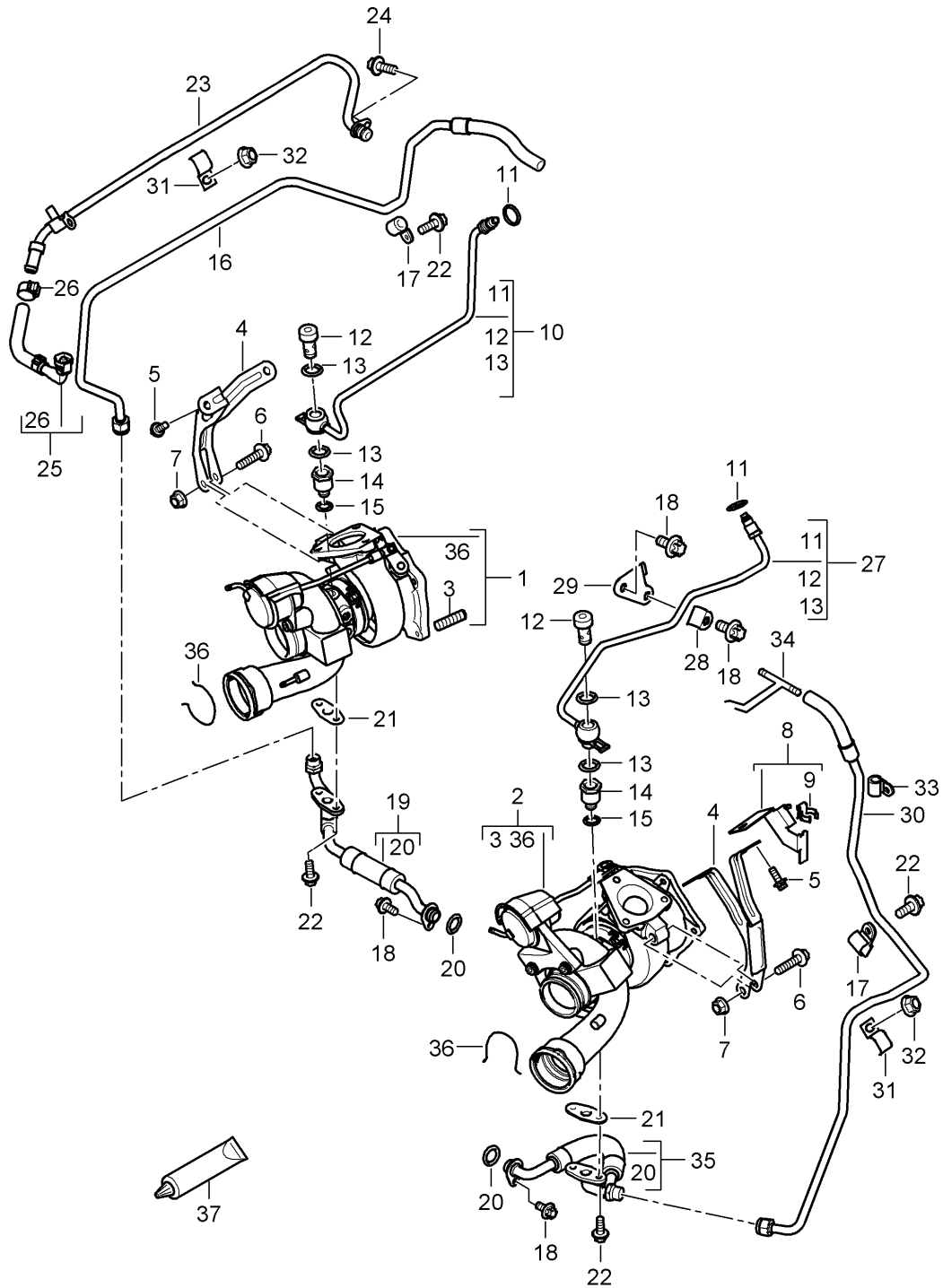
Model: 9PA108

Model life 2007>>2010

Pos	Part Number	Description	Remark	Qty	Model
		exhaust system			PR:D50,0P0,
		Exhaust pipe			0P3
		Rear silencer			
		Tailpipe			
1	955 111 096 60	Exhaust pipe		1	
2	955 111 220 21	Clamping sleeve		1	
3	955 111 227 40	Bracket		1	
		with:			
		Rubber			
4	N 908 797 02	Hexagon bolt		6	
		M 8 X 25			
5	955 111 121 90	Rear silencer		1	
6	955 111 227 50	Bracket		2	
		with:			
		Rubber			
7	955 111 108 30	clamp		2	
8	955 111 251 30	Tailpipe	left	1	PR:0P0
(8)	955 111 251 71	Tailpipe	left	1	PR:0P3
9	955 111 252 30	Tailpipe	right	1	PR:0P0
(9)	955 111 252 71	Tailpipe	right	1	PR:0P3

Model: 9PA108

Model life 2007>>2010



Model: 9PA108

Model life 2007>>2010

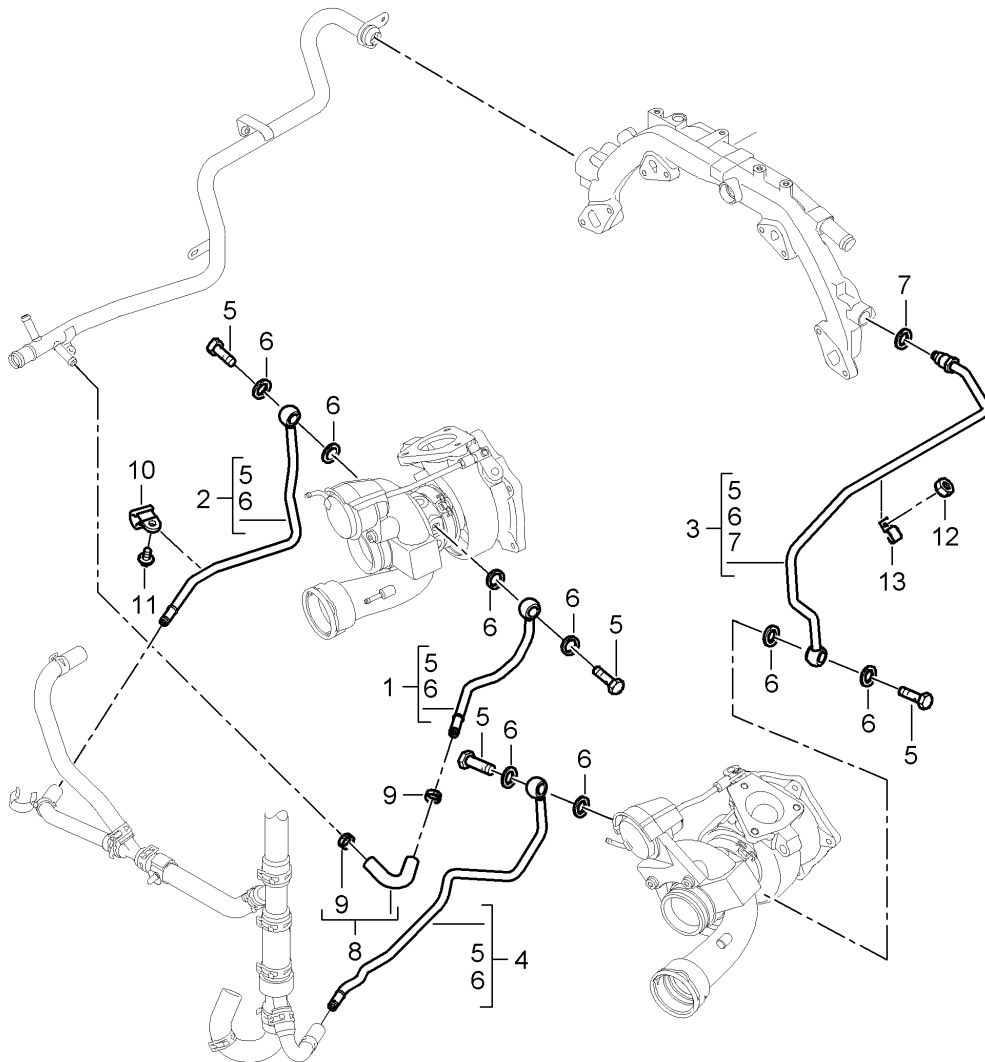
Pos	Part Number	Description	Remark	Qty	Model
		Exhaust gas turbocharger Oil pipe for			4851
1	948 123 025 52	Exhaust gas turbocharger Exhaust gas turbocharger Cylinders 1 - 4 Discontinued part		1	
(1)	948 123 025 53	Exhaust gas turbocharger Cylinders 1 - 4 Discontinued part		1	
(1)	948 123 025 54	Exhaust gas turbocharger Cylinders 1 - 4		1	
2	948 123 026 52	Exhaust gas turbocharger Cylinders 5 - 8 Discontinued part		1	
(2)	948 123 026 53	Exhaust gas turbocharger Cylinders 5 - 8 Discontinued part		1	
(2)	948 123 026 54	Exhaust gas turbocharger Cylinders 5 - 8		1	
3	948 123 323 50	Threaded pin		10	
4	948 123 121 50	Carrier		2	
5	900 385 001 01	Exhaust gas turbocharger Torx screw BM 8 X 20 No longer use the part here		4	
(5)	900 385 044 01	Torx screw BM 8 X 16		4	
6	900 385 035 01	Torx screw BM 8 X 40		2	
7	999 084 642 02	Hexagon nut M 8		2	
8	948 606 117 00	Holder for lambda probe Line	left	1	
(8)	948 606 118 00	Holder for lambda probe Line	right	1	
9	999 651 392 07	Cable holder 9,5 - 10,5		2	
10	948 107 086 51	Pressure line Cylinders 1 - 4 No longer use the part here		1	
(10)	948 107 086 52	Pressure line Cylinders 1 - 4		1	
11	999 707 763 40	O-ring 5,8 X 1,7		2	
12	948 107 011 52	Non-return valve		2	
13	900 123 131 30	seal ring A 16 X 20 No longer use the part here		4	
(13)	900 123 018 20	seal ring A 16 X 20		4	
14	999 136 053 02	connection piece M 12 X 1,5		2	
15	900 123 005 30	seal ring A 12 X 16 No longer use the part here		2	
(15)	900 123 005 20	seal ring A 12 X 16		2	
16	948 107 090 52	Breather line Cylinders 1 - 4 Discontinued part		1	
(16)	948 107 090 53	Breather line Cylinders 1 - 4		1	

Model: 9PA108 Model life 2007>>2010

Pos	Part Number	Description	Remark	Qty	Model
17	999 511 116 03	Clamp 10 X 15		2	
18	900 385 041 01	Torx screw BM 6 X 12		4	
19	948 107 088 54	Oil pipe Cylinders 1 - 4		1	
20	999 707 568 40	O-ring 12 X 3		2	
21	948 107 123 50	Seal		2	
22	900 385 009 01	Torx screw BM 6 X 16		6	
23	948 107 260 51	Ventilation pipe		1	
24	900 385 041 01	Torx screw BM 6 X 12		1	
25	955 107 265 50	Vent hose		1	
26	N 907 702 01	Spring band clamp B 17 X 12		1	
27	948 107 087 51	Pressure line Cylinders 5 - 8 No longer use the part here		1	
(27)	948 107 087 52	Pressure line Cylinders 5 - 8		1	
28	999 511 741 00	Clamp 8 X 15		1	
29	948 107 209 51	Bracket Discontinued part		1	
(29)	948 107 209 52	Bracket		1	
30	948 107 091 52	Breather line Cylinders 5 - 8 Discontinued part		1	
(30)	948 107 091 53	Breather line Cylinders 5 - 8		1	
31	999 511 253 00	Clamp 10 - 10 X 15		2	
32	900 377 010 01	Hexagon nut M 6		2	
33	N 020 651 5	Clamp 10 X 15 Discontinued part		1	
(33)	N 020 651 7	Clamp 10 X 15		1	
34		Breather line see illustration, item:	107-001,19	1	
35	948 107 089 53	Oil pipe Cylinders 5 - 8		1	
36	948 123 324 50	retaining spring		2	
37	000 043 206 95	Grease 1 tube 10 Gr. Microgleit LP 475 for Threaded pin Exhaust gas turbocharger		X	

Model: 9PA108

Model life 2007>>2010



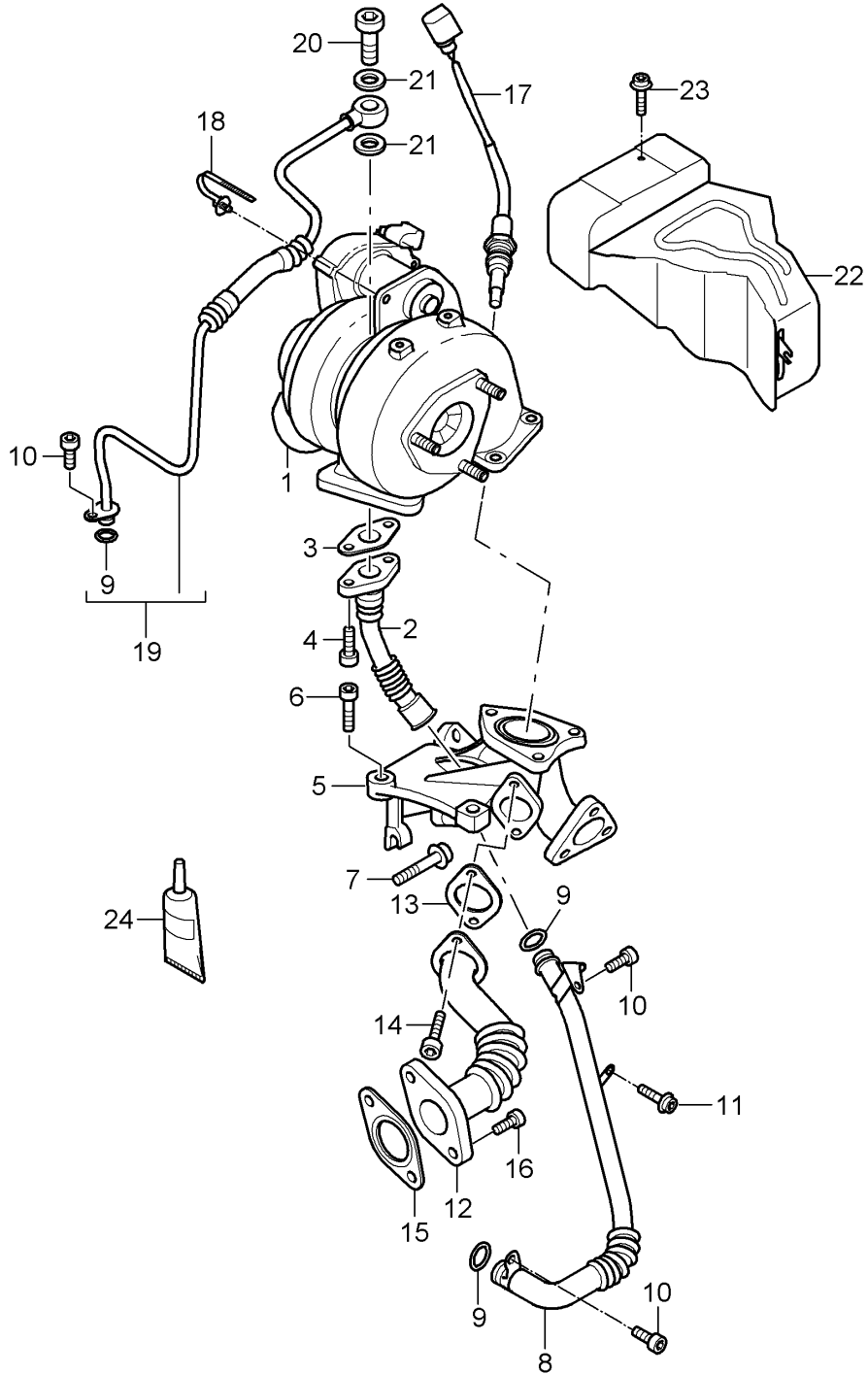
Model: 9PA108

Model life 2007>>2010

Pos	Part Number	Description	Remark	Qty	Model
		Exhaust gas turbocharger Water cooling			4851
1	948 106 027 52	Coolant pipe Supply Cylinders 1 - 4		1	
(1)	948 106 027 53	No longer use the part here Coolant pipe Supply Cylinders 1 - 4		1	
2	948 106 235 51	Coolant pipe Return line Cylinders 1 - 4		1	
(2)	948 106 235 52	No longer use the part here Coolant pipe Return line Cylinders 1 - 4		1	
3	948 106 237 53	Coolant pipe Supply Cylinders 5 - 8		1	
(3)	948 106 237 54	Discontinued part Coolant pipe Supply Cylinders 5 - 8		1	
(3)	948 106 237 55	No longer use the part here Coolant pipe Supply Cylinders 5 - 8		1	
4	948 106 239 52	Coolant pipe Return line Cylinders 5 - 8		1	
(4)	948 106 239 53	No longer use the part here Coolant pipe Return line Cylinders 5 - 8		1	
5	999 134 047 01	Banjo bolt M 12 X 1,25 X 24		4	
6	900 123 005 30	seal ring A 12 X 16		8	
(6)	900 123 005 20	No longer use the part here seal ring A 12 X 16		8	
7	999 707 503 40	seal ring 7,8 X 1,7		1	
8	948 106 383 50	Water hose		1	
9	999 512 686 09	Hose clamp B 17 X 12		2	
10	999 511 116 03	Clamp 10 X 15		1	
11	900 385 041 01	Torx screw BM 6 X 12		1	
12	900 377 010 01	Hexagon nut M 6		1	
13	999 511 253 00	Clamp 10 - 10 X 15		1	

Model: 9PA108

Model life 2007>>2010

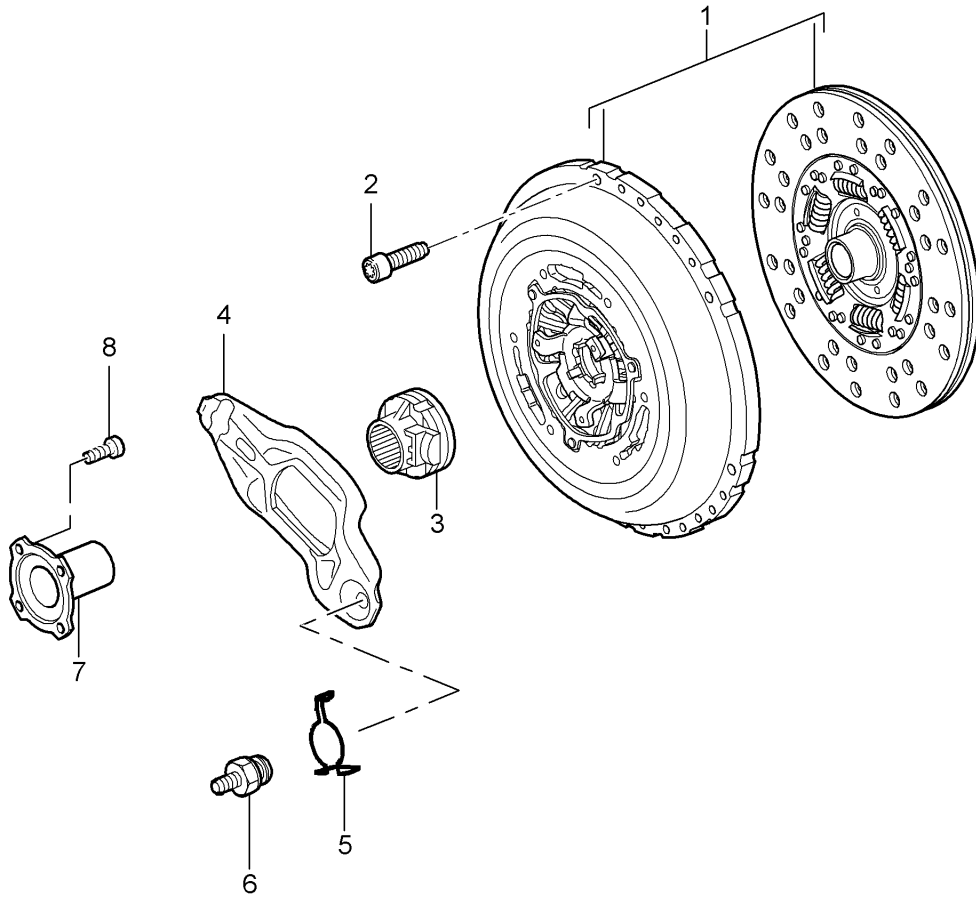


Model: 9PA108 Model life 2007>>2010

Pos	Part Number	Description	Remark	Qty	Model
		Exhaust gas turbocharger Oil pipe			059D
1	955 123 025 00	Exhaust gas turbocharger		1	
2	955 107 088 00	Oil return line		1	
3	955 107 123 00	Seal		1	
4	N 104 514 05	Oval hexagon socket head bolt M 6 X 16		2	
5		Pipe union		1	
6	N 105 521 02	Socket head bolt with hexagon socket head (combination) M 8 X 28	see illustration: 202-012	2	
7	N 105 449 03	Socket head bolt with inner multipoint head M 8 X 55		1	
8	955 107 089 00	Oil return line Discontinued part		1	
(8)	955 107 089 01	Oil return line		1	
9	955 107 124 00	O-ring 15 X 2,5		3	
10	N 104 056 04	Oval hexagon socket head bolt M 6 X 14		3	
11	N 101 703 02	round hd. screw M 6 X 10		1	
12	955 107 525 00	Connecting pipe		1	
13	955 107 358 00	Seal Discontinued part		1	
(13)	958 107 358 00	Seal		1	
14	N 106 174 01	Hexagon socket head bolt M 6 X 16		2	
(14)	N 911 962 01	No longer use the part here Hexagon socket head bolt M 6 X 16		2	
15	955 107 120 00	Seal		1	
16	N 910 215 01	Hexagon socket head bolt M 8 X 25		2	
17	955 606 688 10	Temperature sensor Exhaust gas		1	
18	955 606 838 00	Cable ties 4,5 X 200		1	
19	955 107 087 00	Oil pipe Supply		1	
20	955 107 148 00	Banjo bolt M 10 X 1		1	
21	N 013 811 5	seal ring A 10 X 13,5		2	
22	955 123 325 00	Guard plate Exhaust gas turbocharger		1	
23	N 103 352 06	Hexagon socket flat head bolt M 6 X 12		3	
24	000 043 207 47	hot-bolt-paste 1 tube 170 Gr.		x	

Model: 9PA108

Model life 2007>>2010



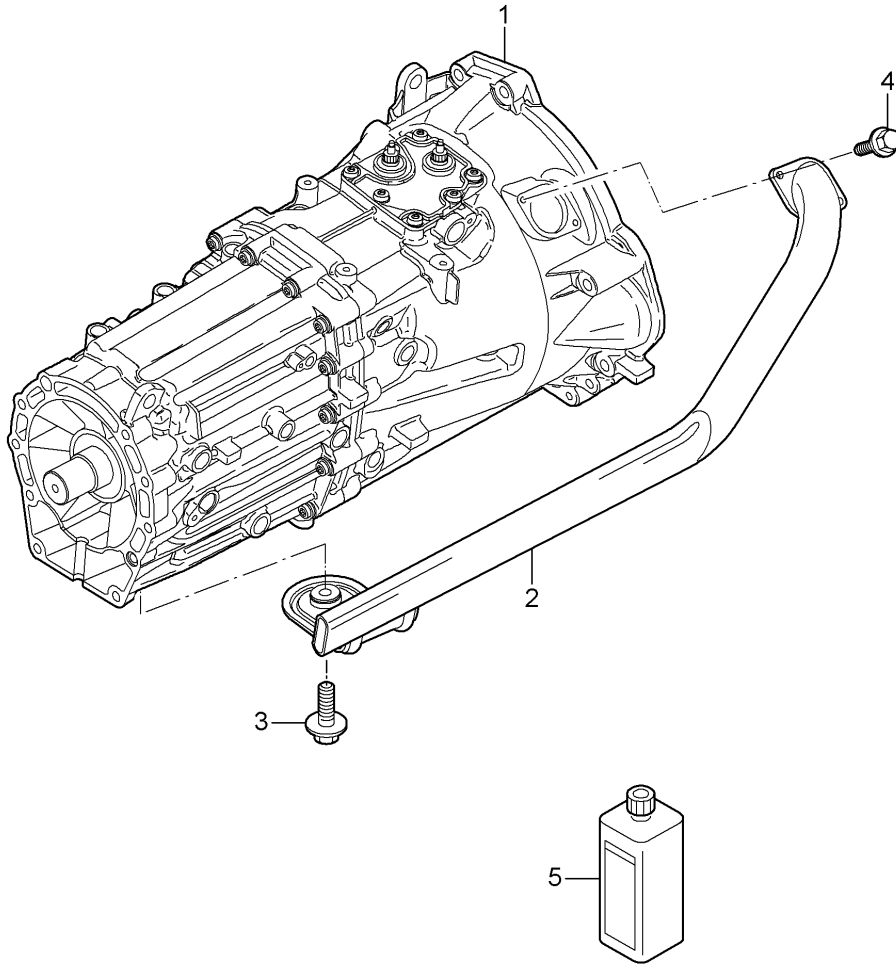
Model: 9PA108

Model life 2007>>2010

Pos	Part Number	Description	Remark	Qty	Model
1	955 116 015 01	Coupling repair set comprising: Clutch plate Pressure plate		1	PR:GOL 4801
(1)	955 116 915 01	repair set comprising: Clutch plate Pressure plate		1	5501
2	N 911 361 02	Socket head bolt with inner multipoint head M 8 X 14 M >> 639 10538 M >> G 9 05538 See workshop manual Group 3 Document		6	
(2)	999 073 458 01	No longer use the part here Screw BM 8 X 16 M 639 10539 >> M G 9 05539 >> See workshop manual Group 3 Document 305019		6	
3	955 116 080 00	release bearing		1	
4	955 116 719 00	clutch operating lever		1	
5	012 141 741	retaining spring		1	
6	955 116 716 00	Ball stud		1	
7	955 301 181 00	guide tube		1	
8	N 910 905 01	Hexagon socket head bolt M 6 X 12		4	

Model: 9PA108

Model life 2007>>2010



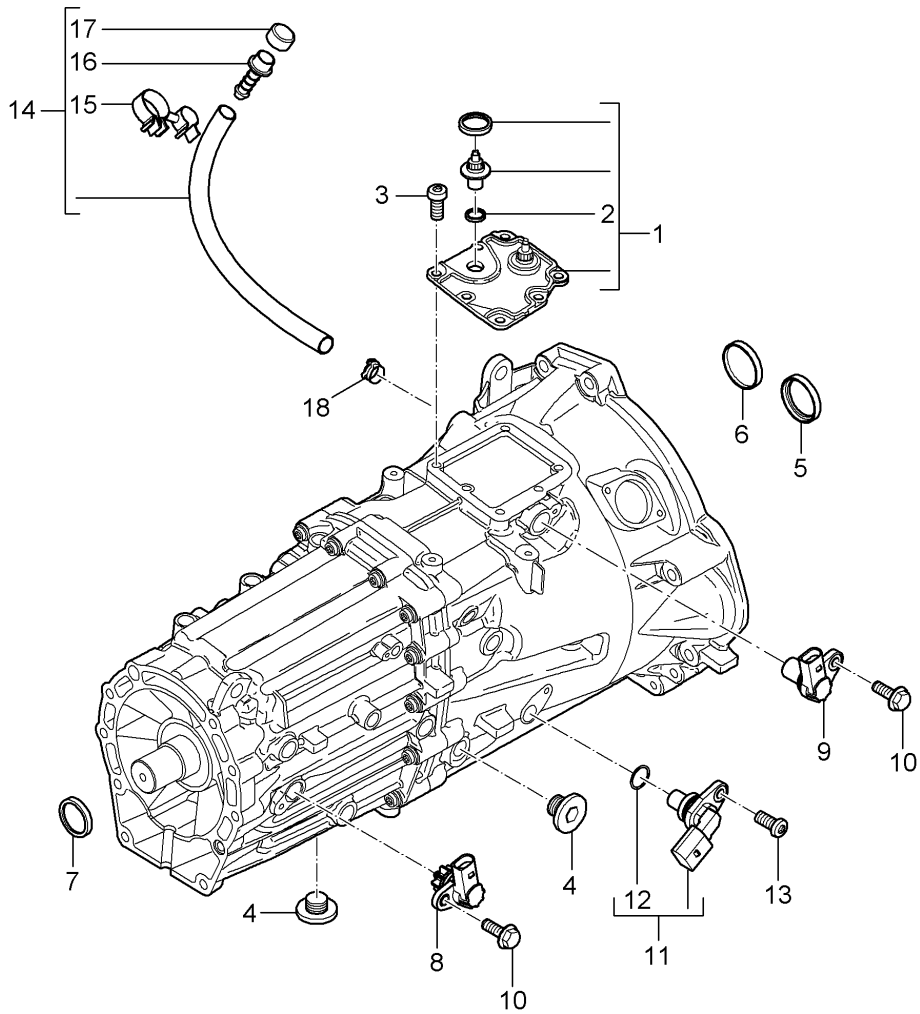
Model: 9PA108

Model life 2007>>2010

Pos	Part Number	Description	Remark	Qty	Model
		Replacement transmission Manual gearbox Ready for installation			PR:G0L
1	955 300 010 22	Replacement transmission Classification letter HPD		1	PR:D5V
1	955 300 010 1X	Replacement transmission Classification letter HPD		1	PR:D5V
(1)	955 300 010 23	Replacement transmission Classification letter HPC		1	PR:D5X
(1)	955 300 010 2X	Replacement transmission Classification letter HPC		1	PR:D5X
2	955 116 047 00	Air guide		1	PR:D5V
3	N 105 653 02	Bolt with washer M 10 X 45		1	PR:D5V
4	N 100 829 11	hexagon head bolt (combi) M 6 X 16		2	PR:D5V
5	000 043 300 38	Transmission fluid Container 1 LITER		X	

Model: 9PA108

Model life 2007>>2010



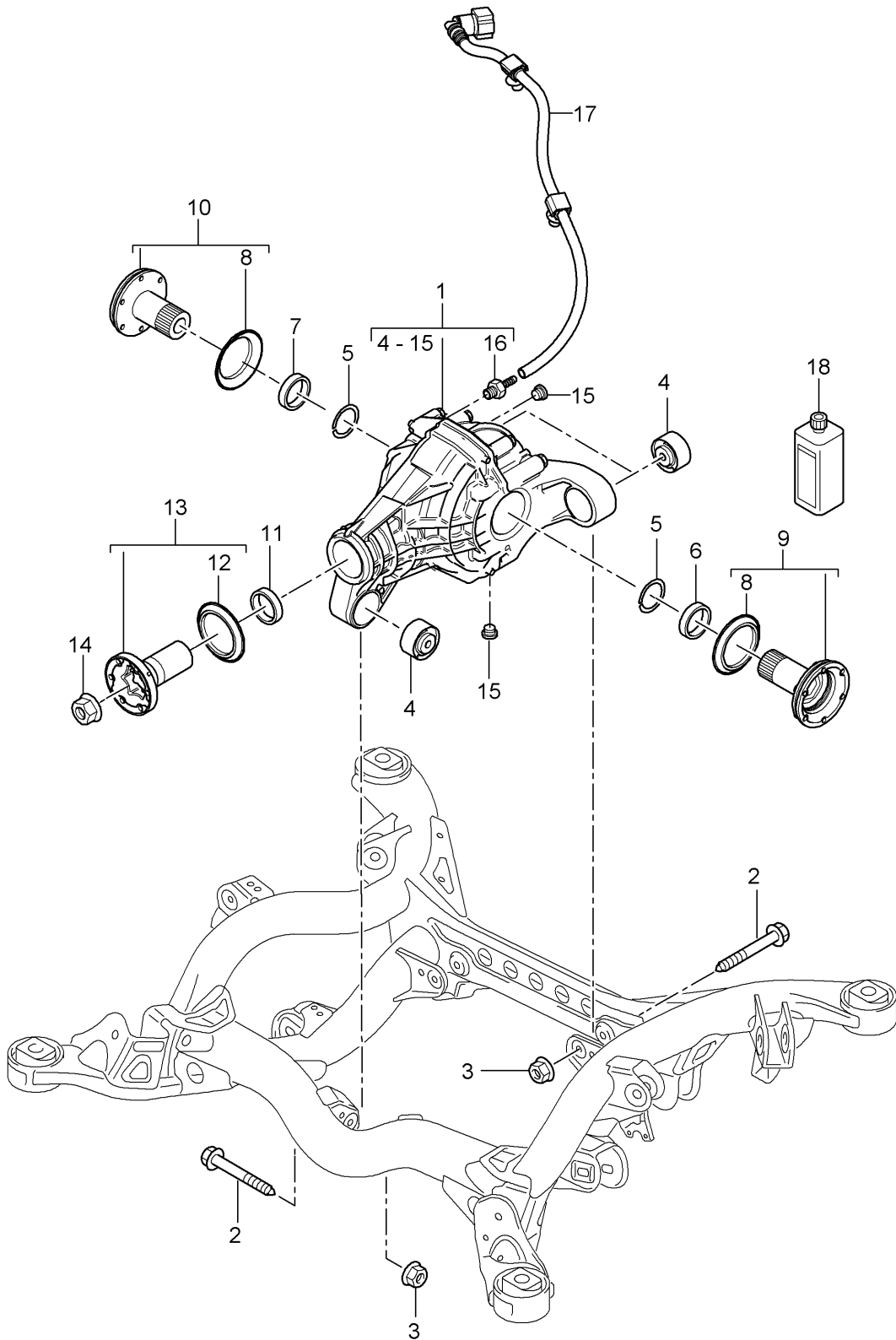
Model: 9PA108

Model life 2007>>2010

Pos	Part Number	Description	Remark	Qty	Model
		Replacement transmission Manual gearbox Individual parts			PR:G0L
1	955 301 230 10	Switching module		1	
2	955 301 227 00	Shaft oil seal 15 X 21 X 7		1	
3	N 910 903 01	Socket head collared bolt with inner multipoint head M 8 X 28		7	
-	000 043 010 00	Loctite 574 50 ML. Surface sealing		X	
4	WHT 000 514	Switching module sealing plug M 18 X 1,5		2	
5	955 301 109 00	radial shaft seal 39,9 X 70 X 9 for Input shaft		1	
6	955 301 125 00	End cap		1	
7	955 301 189 00	radial shaft seal 41 X 72 X 9 for Output shaft		1	
8	955 606 420 00	Reverse light switch		1	
9	955 606 827 00	Switch Idling		1	
10	N 901 678 05	Hexagon bolt M 7 X 1,25 X 19		2	
11	955 606 601 05	impulse sender		1	PR:D5V
12	955 606 701 00	O-ring 18,1 X 1,6		1	PR:D5V
13	N 104 514 05	Oval hexagon socket head bolt M 6 X 16		1	PR:D5V
14	955 301 047 00	breather assy. 1360 MM modify in workshop 230 MM		1	
15	N 105 679 01	Double clip A01-13 X C05-22	also use: N 105 679 01	1	
16	955 301 090 00	ventilation union		1	
17	014 301 485	Cap for venting the gearbox		1	
18	N 906 867 01	Spring band clamp B 14 X 12		1	

Model: 9PA108

Model life 2007>>2010



Model: 9PA108 Model life 2007>>2010

Pos	Part Number	Description	Remark	Qty	Model
		rear axle differential Ready for installation			PR:1Y0
1	955 332 010 10	without: limited slip differential rear axle differential Ready for installation I = 3,55 Classification letter JVR		1	PR:D5V,G0L
1	955 332 010 TX	rear axle differential Ready for installation I = 3,55 Classification letter JVR		1	PR:D5V,G0L
(1)	955 332 010 03	rear axle differential Ready for installation I = 3,55 Classification letter JVS		1	PR:D5V,G0R
(1)	955 332 010 LX	rear axle differential Ready for installation I = 3,55 Classification letter JVS		1	PR:D5V,G0R
(1)	955 332 010 53	rear axle differential Ready for installation I = 3,27 Classification letter JLP		1	PR:D5Z
(1)	955 332 010 NX	rear axle differential Ready for installation I = 3,27 Classification letter JLP		1	PR:D5Z
(1)	955 332 010 21	rear axle differential Ready for installation I = 4,3 Classification letter HMB		1	PR:D5X,G0R
(1)	955 332 010 KX	rear axle differential Ready for installation I = 4,3 Classification letter HMB		1	PR:D5X,G0R
(1)	955 332 010 31	rear axle differential Ready for installation I = 3,7 Classification letter HMA		1	PR:D5X,G0L
(1)	955 332 010 VX	rear axle differential Ready for installation I = 3,7 Classification letter HMA		1	PR:D5X,G0L
(1)	955 332 010 01	rear axle differential Ready for installation I = 4,1 Classification letter GLU		1	PR:D5V,E0W, G0L
(1)	955 332 010 AX	rear axle differential Ready for installation I = 4,1 Classification letter		1	PR:D5V,E0W, G0L

Model: 9PA108

Model life 2007>>2010

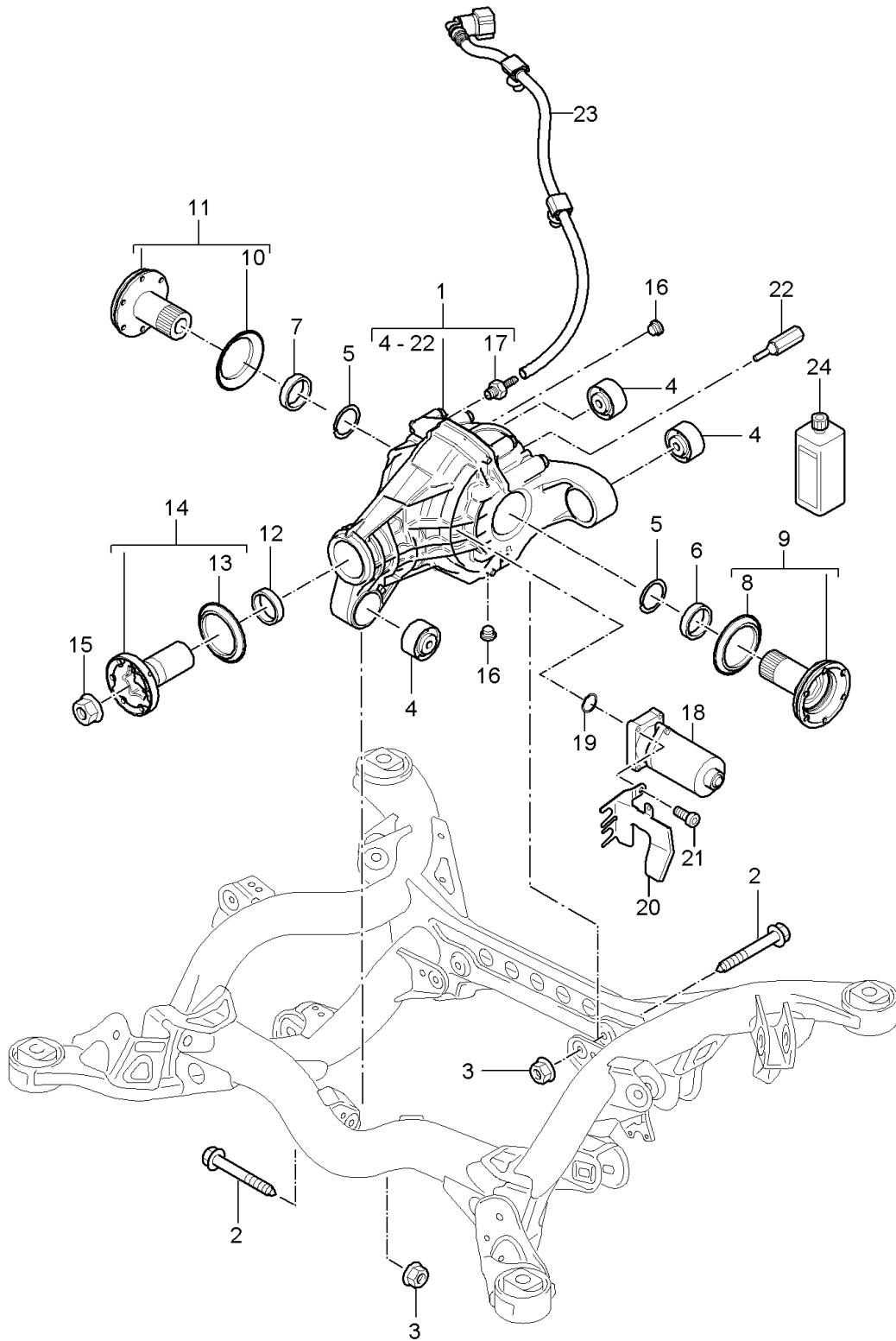
Pos	Part Number	Description	Remark	Qty	Model
(1)	955 332 010 02	GLU rear axle differential Ready for installation I = 4,1 Classification letter HUC		1	PR:D5V,E0W, G0R
(1)	955 332 010 BX	rear axle differential Ready for installation I = 4,1 Classification letter HUC		1	PR:D5V,E0W, G0R
(1)	955 332 010 01	rear axle differential Ready for installation I = 4,1 Classification letter GLU		1	PR:D5V,E2D, G0L
(1)	955 332 010 AX	rear axle differential Ready for installation I = 4,1 Classification letter GLU		1	PR:D5V,E2D, G0L
(1)	955 332 010 02	rear axle differential Ready for installation I = 4,1 Classification letter HUC		1	PR:D5V,E2D, G0R
(1)	955 332 010 BX	rear axle differential Ready for installation I = 4,1 Classification letter HUC		1	PR:D5V,E2D, G0R
(1)	955 332 010 40	rear axle differential Ready for installation I = 3,9 Classification letter FKU		1	PR:D50,G0R
(1)	955 332 010 WX	rear axle differential Ready for installation I = 3,9 Classification letter FKU		1	PR:D50,G0R
2	N 102 112 02	Hex collared bolt AM 12 X 1,5 X 90		3	
3	N 104 029 04	Hexagon nut M 12 X 1,5		3	
4	955 332 337 00	Rubber bush		3	PR:D5X,D5V
(4)	955 332 337 00	Rubber bush		3	PR:D50
(4)	955 332 337 10	Rubber bush		3	PR:D5Z
5	955 332 125 00	Securing ring		2	
6	955 332 596 10	Shaft oil seal 72 X 50 X 9		1	
7	955 332 596 00	Shaft oil seal 82 X 50 X 9		1	
8	955 332 375 00	protective ring		2	
9	955 332 283 20	Output flange Long 152,5 MM		1	PR:D5V,G0L
9	955 332 283 20	Output flange Long 152,5 MM		1	PR:D5Z
(9)	955 332 284 20	Output flange Short 142 MM		1	PR:D5V,G0R

Model: 9PA108 Model life 2007>>2010

Pos	Part Number	Description	Remark	Qty	Model
(9)	955 332 284 20	Output flange Short 142 MM		1	PR:D5X
(9)	955 332 284 20	Output flange Short 142 MM		1	PR:D50
10	955 332 283 20	Output flange Long 152,5 MM		1	PR:D5V,G0L
10	955 332 283 20	Output flange Long 152,5 MM		1	PR:D5Z
(10)	955 332 284 20	Output flange Short 142 MM		1	PR:D5V,G0R
(10)	955 332 284 20	Output flange Short 142 MM		1	PR:D5X
(10)	955 332 284 20	Output flange Short 142 MM		1	PR:D50
11	955 332 596 20	Shaft oil seal 80 x 55 x 8		1	
12	955 332 375 20	protective ring		1	
13	955 332 127 00	Drive flange		1	
14	955 332 427 00	Collar nut M 22 X 1,5		1	
15	955 332 057 00	sealing plug M 16 X 1,5		2	
16	955 332 065 20	ventilation union		1	
17	955 201 255 05	Breather line		1	
18	000 043 205 30	Transmission fluid 75 W 90 1 LITER Container		X	

Model: 9PA108

Model life 2007>>2010



Model: 9PA108

Model life 2007>>2010

Pos	Part Number	Description	Remark	Qty	Model
		rear axle differential Ready for installation			PR:1Y1
1	955 332 020 02	with: limited slip differential Electric rear axle differential Ready for installation I = 3,55 Classification letter JVX		1	PR:D5V
(1)	955 332 020 MX	rear axle differential Ready for installation I = 3,55 Classification letter JVX		1	PR:D5V
(1)	955 332 020 01	rear axle differential Ready for installation I = 4,1 Classification letter HLX		1	PR:D5V,E2D
(1)	955 332 020 AX	rear axle differential Ready for installation I = 4,1 Classification letter HLX		1	PR:D5V,E2D
(1)	955 332 020 53	rear axle differential Ready for installation I = 3,27 Classification letter KFJ		1	PR:D5Z
(1)	955 332 020 SX	rear axle differential Ready for installation I = 3,27 Classification letter KFJ		1	PR:D5Z
(1)	955 332 020 22	rear axle differential Ready for installation I = 3,7 Classification letter JVU		1	PR:D5X,G0L
(1)	955 332 020 PX	rear axle differential Ready for installation I = 3,7 Classification letter JVU		1	PR:D5X,G0L
(1)	955 332 020 31	rear axle differential Ready for installation I = 4,3 Classification letter JVV		1	PR:D5X,G0R
(1)	955 332 020 RX	rear axle differential Ready for installation I = 4,3 Classification letter JVV		1	PR:D5X,G0R
(1)	955 332 020 40	rear axle differential Ready for installation I = 3,9 Classification letter HLW		1	PR:D50,G0R
(1)	955 332 020 TX	rear axle differential Ready for installation I = 3,9		1	PR:D50,G0R

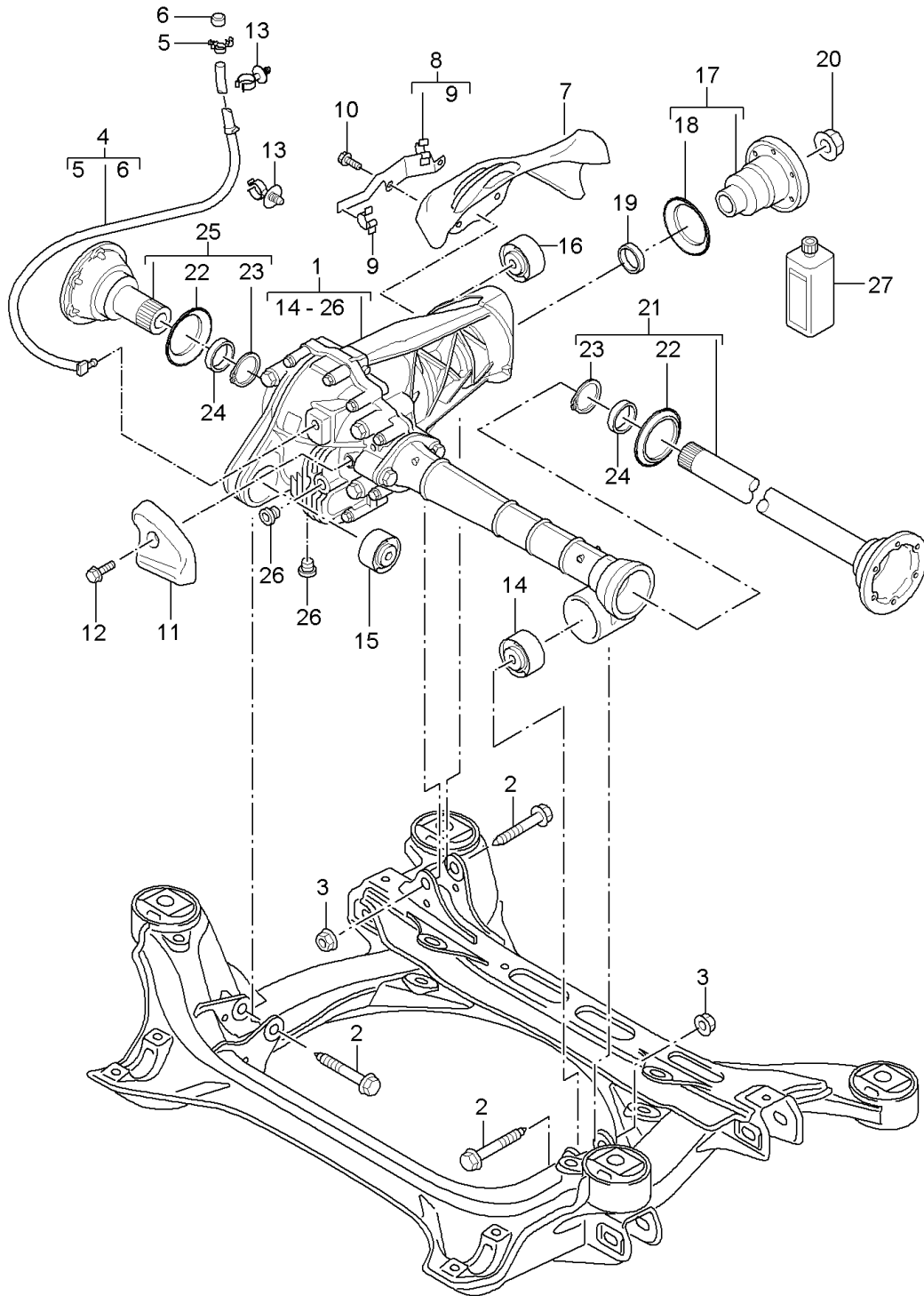
Model: 9PA108

Model life 2007>>2010

Pos	Part Number	Description	Remark	Qty	Model
		Classification letter HLW			
2	N 102 112 02	Hex collared bolt AM 12 X 1,5 X 90		3	
3	N 104 029 04	Hexagon nut M 12 X 1,5		3	
4	955 332 337 00	Rubber bush		3	PR:D5X,D5V
(4)	955 332 337 00	Rubber bush		3	PR:D50
(4)	955 332 337 10	Rubber bush		3	PR:D5Z
5	955 332 125 00	Securing ring		2	
6	955 332 596 30	Shaft oil seal 100 X 80 X 10		1	
7	955 332 596 00	Shaft oil seal 82 X 50 X 9		1	
8	955 332 375 10	protective ring		1	
9	955 332 284 30	Output flange		1	
10	955 332 375 00	protective ring		1	
11	955 332 283 30	Output flange		1	
12	955 332 596 20	Shaft oil seal 80 X 55 X 8		1	
13	955 332 375 20	protective ring		1	
14	955 332 127 00	Drive flange		1	
15	955 332 427 00	Collar nut M 22 X 1,5		1	
16	955 332 057 00	sealing plug M 16 X 1,5		2	
17	955 332 065 20	ventilation union		1	
18	955 624 904 01	Servomotor for limited slip differential		1	
19	955 332 649 00	O-ring 25 X 2 also use:	955 332 649 00	1	
20	955 332 037 00	Retaining plate		1	
21	955 332 147 00	Socket head bolt M 6 X 30		4	
22	955 332 169 00	Damper with:		1	
23	955 201 255 05	O-ring Breather line		1	
24	000 043 300 37	Transmission fluid 75 W 90 1 LITER Container		X	PR:D5X,D5V, D5Z
(24)	000 043 300 37	Transmission fluid 75 W 90 1 LITER Container workshop manual Attention		X	PR:D50

Model: 9PA108

Model life 2007>>2010



Model: 9PA108

Model life 2007>>2010

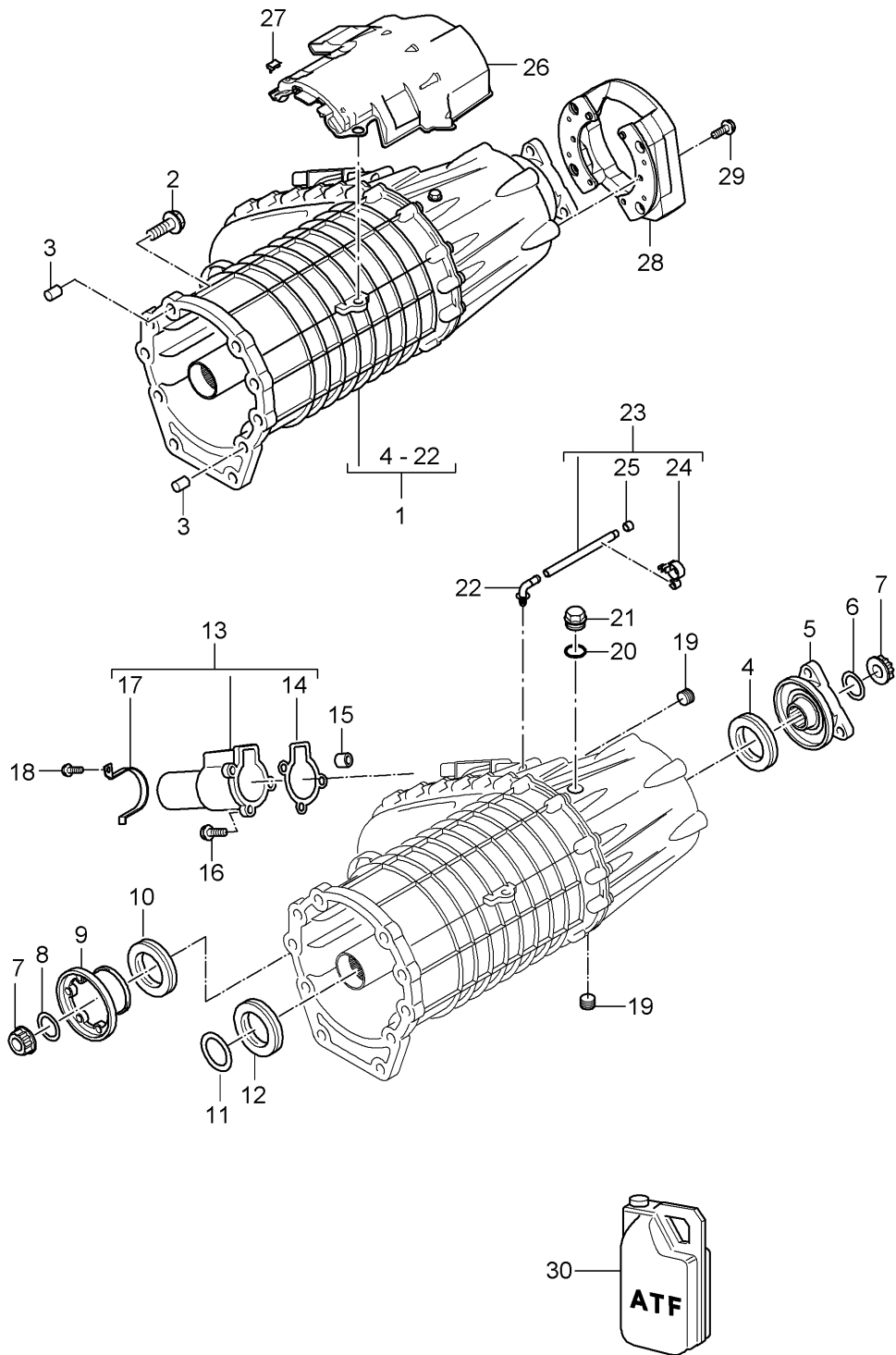
Pos	Part Number	Description	Remark	Qty	Model
1	955 349 010 10	Front axle differential Ready for installation Front axle differential Ready for installation I = 3,55 Classification letter JVM		1	PR:D5V,E0A
1	955 349 010 BX	Front axle differential Ready for installation I = 3,55 Classification letter JVM		1	PR:D5V,E0A
(1)	955 349 010 52	Front axle differential Ready for installation I = 3,27 Classification letter KHJ		1	PR:D5Z
(1)	955 349 010 CX	Front axle differential Ready for installation I = 3,27 Classification letter KHJ		1	PR:D5Z
(1)	955 349 010 21	Front axle differential Ready for installation I = 4,3 Classification letter JTJ		1	PR:D5X,G0R
(1)	955 349 010 DX	Front axle differential Ready for installation I = 4,3 Classification letter JTJ		1	PR:D5X,G0R
(1)	955 349 010 01	Front axle differential Ready for installation I = 3,7 Classification letter JTE		1	PR:D5X,G0L
(1)	955 349 010 FX	Front axle differential Ready for installation I = 3,7 Classification letter JTE		1	PR:D5X,G0L
(1)	955 349 010 02	Front axle differential Ready for installation I = 4,1 Classification letter KBS		1	PR:D5V,E0W, E2D,E1T
(1)	955 349 010 AX	Front axle differential Ready for installation I = 4,1 Classification letter KBS		1	PR:D5V,E0W, E2D,E1T
(1)	955 349 010 40	Front axle differential Ready for installation I = 3,9 Classification letter JTG		1	PR:D50,G0R
(1)	955 349 010 GX	Front axle differential Ready for installation I = 3,9 Classification letter JTG		1	PR:D50,G0R
2	N 102 112 02	Hex collared bolt		3	

Model: 9PA108 Model life 2007>>2010

Pos	Part Number	Description	Remark	Qty	Model
3	N 104 029 04	AM 12 X 1,5 X 90 Hexagon nut		2	
4	955 349 047 01	M 12 X 1,5 Breather line		1	PR:D5V,D5Z
(4)	955 349 047 02	Breather line		1	PR:D5X
(4)	955 349 047 03	Breather line		1	PR:D50
5	N 105 280 02	Retainer, swivel		1	PR:D50
(5)	N 104 265 01	Hose bracket		1	PR:D50
6	014 301 485	Cap for venting the gearbox		1	
-	955 301 565 01	Clip		1	PR:D5V,D5Z
7	955 349 445 00	Breather line		1	PR:0AB
(7)	955 349 445 01	Guard plate		1	PR:0AW
8	955 349 447 01	Bracket		1	PR:D5V,D5Z
(8)	955 349 447 02	Bracket		1	PR:D50
9	955 349 543 03	Retaining clip		2	PR:D5V,D5Z
(9)	955 349 543 04	Retaining clip		2	PR:D50
10	N 106 533 01	Hex collared bolt		3	PR:-D50
(10)	N 106 533 01	M 6 X 20 Hex collared bolt		2	PR:D50
11	955 349 346 00	M6 X 20 Guard plate		1	PR:D5V,D5Z
12	N 106 507 01	Hexagon socket head bolt		1	PR:D5V,D5Z
13	N 104 705 01	M 6 X 12 Hose bracket		2	PR:D5X
14	955 349 337 00	A02-13 X C13-6,5 Rubber bush		1	PR:D5X,D5V
(14)	955 332 337 10	Rubber bush		1	PR:D5Z
(14)	955 349 337 00	Rubber bush		1	PR:D50
15	955 349 337 00	Rubber bush		1	PR:D5X,D5V
(15)	955 332 337 10	Rubber bush		1	PR:D5Z
(15)	955 349 337 00	Rubber bush		1	PR:D50
16	955 349 337 00	Rubber bush		1	PR:D5X,D5V
(16)	955 332 337 10	Rubber bush		1	PR:D5Z
(16)	955 332 337 10	Rubber bush		1	PR:D50
17	955 349 127 00	Drive flange		1	
18	955 332 375 20	protective ring		1	
19	955 349 189 00	Shaft oil seal		1	
20	955 332 427 00	80 X 50 Collar nut		1	
21	955 349 271 20	M 22 X 1,5 Output flange		1	
22	955 332 375 30	protective ring		2	
23	955 349 413 00	snap ring		2	
24	955 349 189 10	Shaft oil seal		2	
25	955 349 272 20	Output flange		1	
26	955 332 057 00	sealing plug		2	
27	000 043 205 30	M 16 X 1,5 Transmission fluid		X	
		75 W 90			
		1 LITER			
		Container			

Model: 9PA108

Model life 2007>>2010



Model: 9PA108

Model life 2007>>2010

Pos	Part Number	Description	Remark	Qty	Model
1	955 341 040 53	Transfer box Ready for installation		1	PR:D5V,G0R
(1)	955 341 040 JX	Transfer box Ready for installation Classification letter JXX Discontinued part		1	PR:D5V,G0R
(1)	955 341 040 55	Transfer box Ready for installation Classification letter JXX Discontinued part		1	PR:D5V,G0R
(1)	955 341 040 KX	Transfer box Ready for installation Classification letter LLD		1	PR:D5V,G0R
(1)	955 341 040 03	Transfer box Ready for installation Classification letter JXL Discontinued part		1	PR:D5V,G0L
(1)	955 341 040 DX	Transfer box Ready for installation Classification letter JXL Discontinued part		1	PR:D5V,G0L
(1)	955 341 040 05	Transfer box Ready for installation Classification letter LLE		1	PR:D5V,G0L
(1)	955 341 040 LX	Transfer box Ready for installation Classification letter LLE		1	PR:D5V,G0L
(1)	955 341 040 53	Transfer box Ready for installation Classification letter JXX Discontinued part		1	PR:D5Z
(1)	955 341 040 JX	Transfer box Ready for installation Classification letter JXX Discontinued part		1	PR:D5Z
(1)	955 341 040 55	Transfer box Ready for installation Classification letter LLD		1	PR:D5Z
(1)	955 341 040 KX	Transfer box Ready for installation Classification letter LLD		1	PR:D5Z
(1)	955 341 040 22	Transfer box Ready for installation Classification letter JXM Discontinued part		1	PR:D5X,G0L
(1)	955 341 040 8X	Transfer box Ready for installation		1	PR:D5X,G0L

Model: 9PA108

Model life 2007>>2010

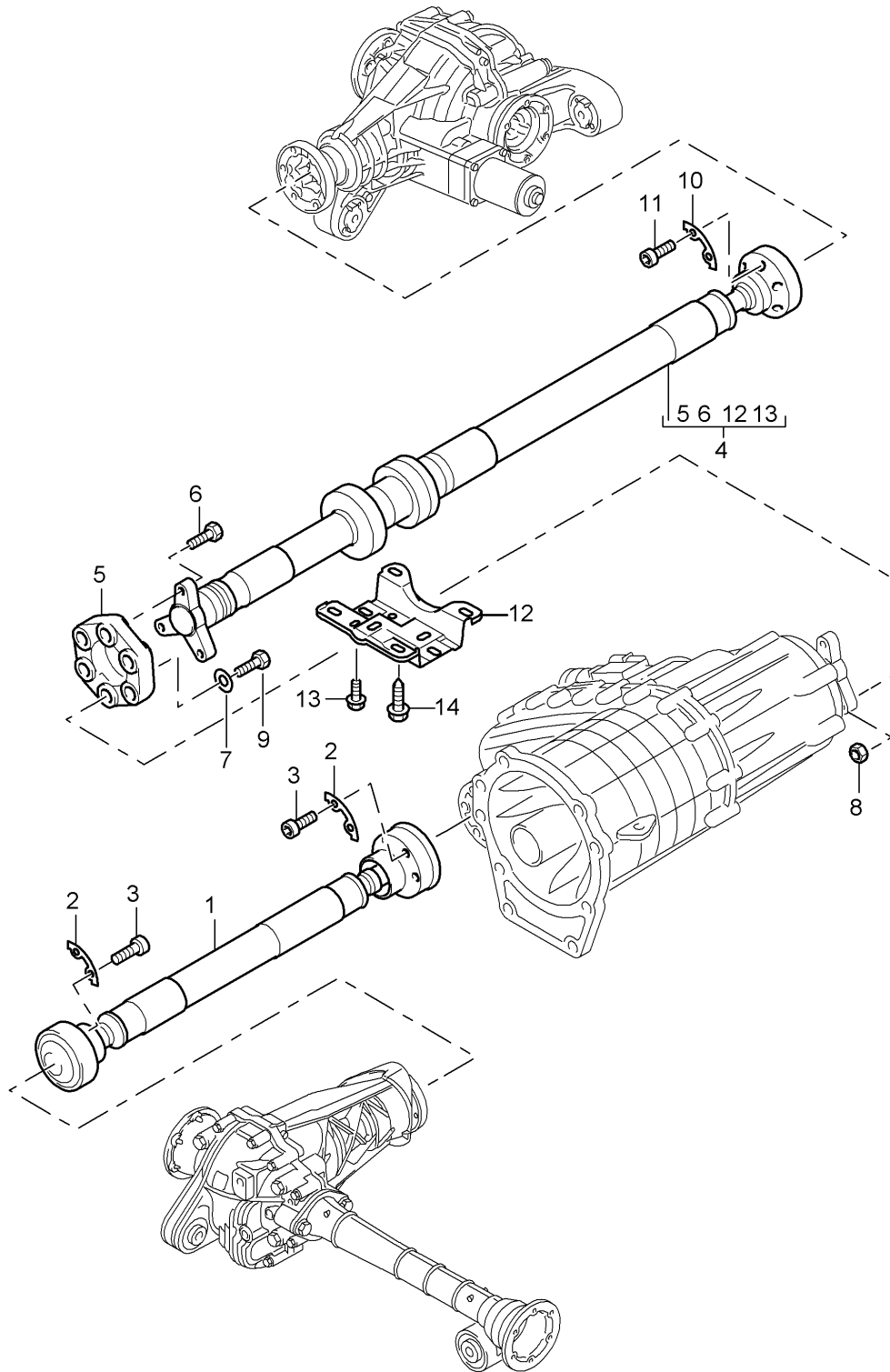
Pos	Part Number	Description	Remark	Qty	Model
(1)	955 341 040 24	Classification letter JXM Discontinued part Transfer box Ready for installation Classification letter LLG		1	PR:D5X,G0L
(1)	955 341 040 MX	Transfer box Ready for installation Classification letter LLG		1	PR:D5X,G0L
(1)	955 341 040 12	Transfer box Ready for installation Classification letter JXN		1	PR:D5X,G0R
(1)	955 341 040 7X	Discontinued part Transfer box Ready for installation Classification letter JXN		1	PR:D5X,G0R
(1)	955 341 040 14	Discontinued part Transfer box Ready for installation Classification letter LLH		1	PR:D5X,G0R
(1)	955 341 040 NX	Transfer box Ready for installation Classification letter LLH		1	PR:D5X,G0R
(1)	955 341 040 30	Transfer box Ready for installation Classification letter LLF		1	PR:D50,G0R
(1)	955 341 040 PX	Transfer box Ready for installation Classification letter LLF		1	PR:D50,G0R
2	N 103 145 05	Hex collared bolt AM 10 X 50		10	
3	955 341 139 01	Centre sleeve 14,57 X 10,5		2	
4	955 321 199 00	radial shaft seal 90 X 52 X 15		1	
5	955 341 271 10	Output flange		1	
6	955 341 323 00	O-ring 29,74 X 3,53		1	
7	WHT 000 204 A	flange shaft nut M 30 X 2		2	
8	955 301 323 00	O-ring 37,69 X 3,53		1	
9	955 341 271 00	Output flange		1	
10	955 321 199 21	radial shaft seal 80 X 60 X 15		1	
11	955 341 323 10	O-ring 41,3 X 3,1		1	
12	955 321 199 10	radial shaft seal 71 X 50 X 10		1	
13	955 624 601 01	Servomotor See technical information Service Group 3 KD-NR. 3978 19/10		1	

Model: 9PA108 Model life 2007>>2010

Pos	Part Number	Description	Remark	Qty	Model
14	955 341 131 01	Seal Servomotor		1	
15	955 341 992 00	Centre sleeve		3	
16	N 105 184 03	Socket head bolt with inner multipoint head M 8 X 30		3	
17		Bracket Servomotor Not available		1	
18	N 905 330 05	hexagon head bolt (combi) M 6 X 20		2	
19	955 301 115 01	sealing plug 17,5 X 12		1	
20	N 013 816 5	seal ring A 18 X 24		1	
21	N 029 704 2	sealing plug M 18 X 1,5 X 12		1	
22	955 301 474 01	Breather line		1	
23	955 301 047 01	breather assy.		1	PR:D5X,G0R
(23)	955 301 047 01	breather assy. modify in workshop Deleted		1	PR:D5V,D5Z, G0R
(23)	955 301 047 01	Bracket breather assy. modify in workshop Deleted		1	PR:D50,G0R
(23)	955 301 047 00	breather assy. also use: 1360 MM modify in workshop 1270 MM	N 107 548 01	1 1	PR:D5X,D5V, G0L
24	N 103 283 01	Bracket A1 - 13 X C05 - 25		1	PR:D5X,G0R
(24)	N 103 283 01	Bracket A1 -13 X C05 - 25		1	PR:D5X,D5V, G0L
(24)	N 107 548 01	Bracket A08 - 13,5 X C12 - 13,5		1	PR:D50,G0R
25	014 301 485	Cap for venting the gearbox		1	
-	955 301 565 01	Clip breather assy.		x	
26	955 341 235 00	Guard plate Transfer box Not for: Porsche Cayenne GTS Porsche Cayenne Kit Cayenne Turbo S		1	PR:D5X,D5V, D5Z
27	955 341 236 00	Retaining clip Guard plate		4	PR:D5X,D5V, D5Z
28	955 341 581 04	vibration damper		1	PR:D50
29	N 900 639 05	Hex collared bolt M 8 X 18		6	PR:D50
30	000 043 301 36	Transfer box gear oil ATF 1 LITER Container		X	
(30)	000 043 305 63	Discontinued part Transfer box gear oil ATF 850 ML Container		X	

Model: 9PA108

Model life 2007>>2010



Model: 9PA108

Model life 2007>>2010

Pos	Part Number	Description	Remark	Qty	Model
1	955 421 020 03	Cardan shaft Cardan shaft Discontinued part		1	PR:D5X,D5V, D5Z
(1)	955 421 020 04	Cardan shaft		1	PR:D5X,D5V,
(1)	955 421 020 30	Cardan shaft Discontinued part		1	PR:D50
(1)	955 421 020 31	Cardan shaft		1	PR:D50
2	955 349 191 21	Spacer		6	
3	N 909 417 03	Socket head bolt with inner multipoint head M 10 X 45		12	
4	955 421 020 13	Cardan shaft Discontinued part		1	PR:D5X,D5V
(4)	955 421 020 13	Cardan shaft Discontinued part		1	PR:D5Z,E0A
(4)	955 421 020 14	Cardan shaft Discontinued part		1	PR:D5X,D5V
(4)	955 421 020 14	Cardan shaft Discontinued part		1	PR:D5Z,E0A
(4)	955 421 020 14	Cardan shaft Discontinued part		1	PR:D50
(4)	955 421 020 15	Cardan shaft		1	PR:D5X,D5V
(4)	955 421 020 15	Cardan shaft		1	PR:D5Z,E0A
(4)	955 421 020 15	Cardan shaft		1	PR:D50
(4)	955 421 020 24	Cardan shaft Discontinued part		1	PR:D5Z,E81, E8A
(4)	955 421 020 25	Cardan shaft		1	PR:D5Z,E81, E8A
5	955 421 010 00	Joint Not available To Use Cardan shaft See workshop manual Group 3 Document 393519		1	
6	N 101 713 03	No longer use the part here Hexagon bolt M 12 X 1,5 X 70 Not available To Use Cardan shaft See workshop manual Group 3 Document 393519		3	
7	N 011 531 19	No longer use the part here Washer A 13		3	
8	N 100 289 10	hexagon nut, self-locking M 12 X 1,5		3	
9	N 105 262 02	Hexagon bolt M 12 X 1,5 X 65		3	
10	955 349 191 21	Spacer		3	
11	N 909 417 03	Socket head bolt with inner multipoint head M 10 X 45		6	
12	955 349 340 00	Bracket		1	
13	N 104 032 03	Hexagon bolt M 8 X 16		2	
14	N 106 978 01	Hex collared bolt		6	

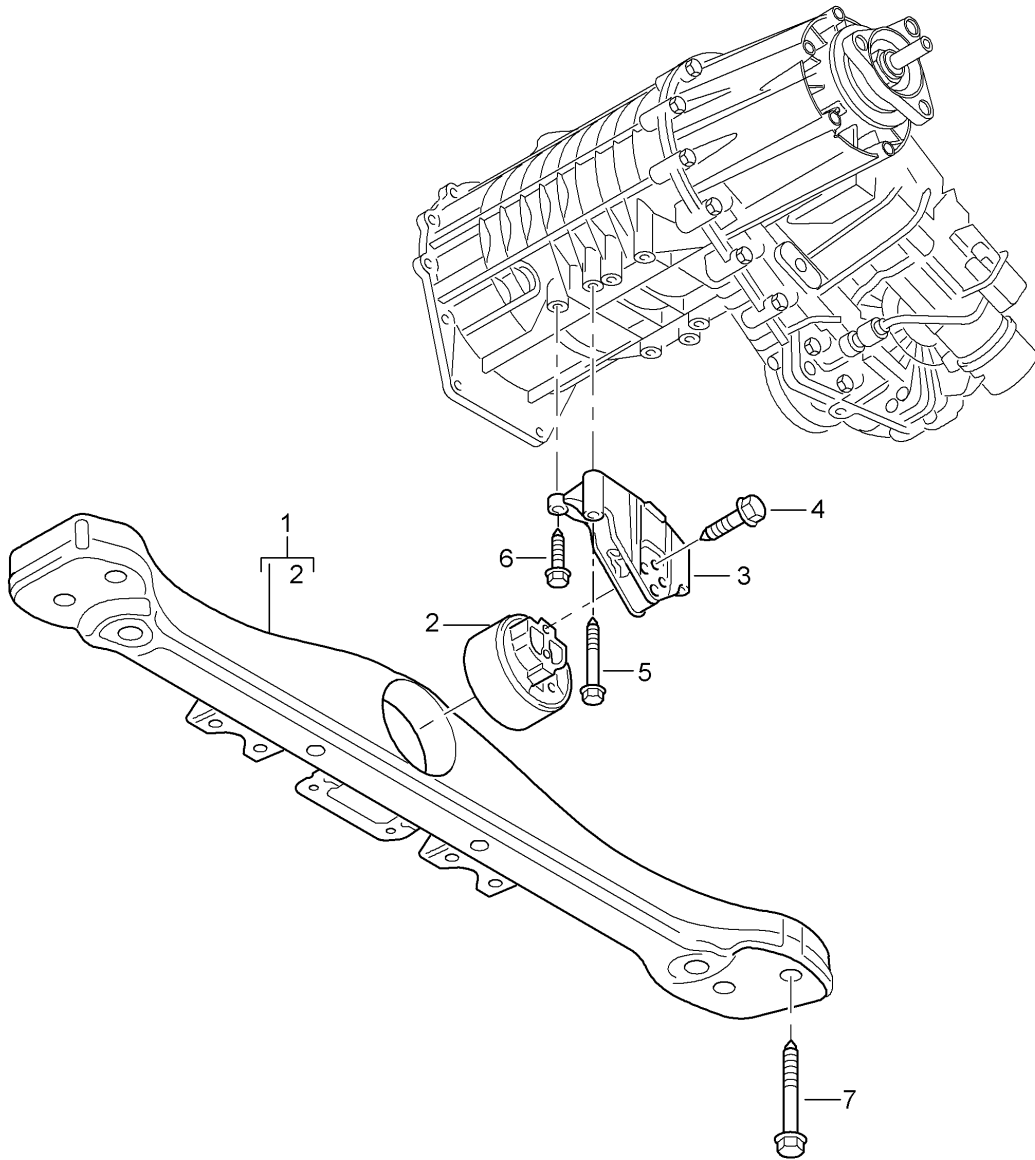
Model: 9PA108

Model life 2007>>2010

Pos	Part Number	Description	Remark	Qty	Model
		M 10 x 30			

Model: 9PA108

Model life 2007>>2010



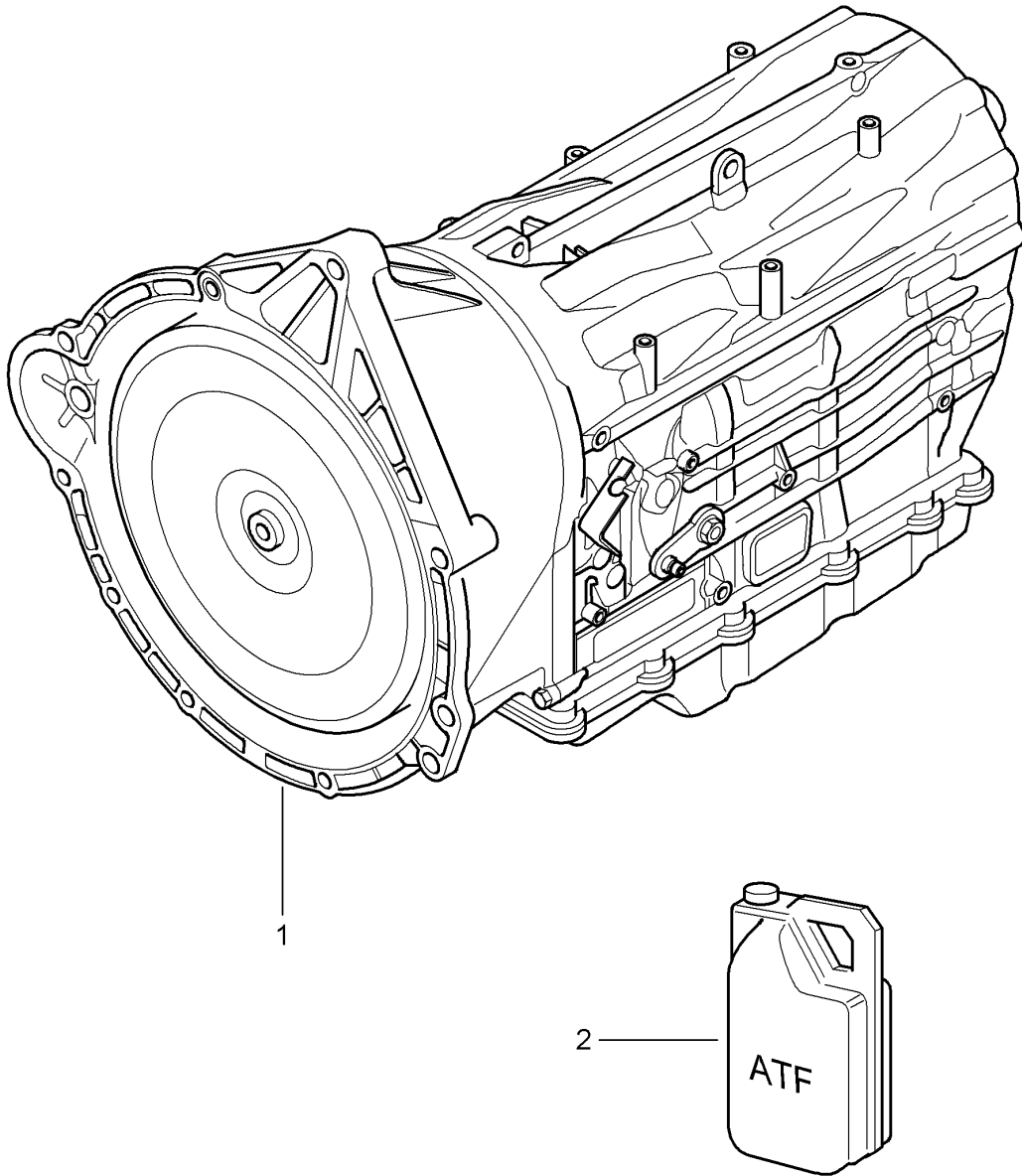
Model: 9PA108

Model life 2007>>2010

Pos	Part Number	Description	Remark	Qty	Model
		Transfer box			
		Transmission suspension			
1	955 341 225 00	transmission carrier		1	PR:D5V,D5Z
(1)	955 341 225 10	transmission carrier		1	PR:D5X
(1)	955 341 225 20	transmission carrier		1	PR:D50
		Discontinued part			
(1)	958 341 225 30	transmission carrier		1	PR:D50
2	955 375 057 30	gearbox mounting		1	PR:D5V,D5Z
(2)	955 375 057 20	gearbox mounting		1	PR:D5X
(2)	955 375 057 20	gearbox mounting		1	PR:D50
3	955 341 649 03	Transmission bracket		1	PR:D5V,D5Z
(3)	955 341 649 02	Transmission bracket		1	PR:D5X
(3)	955 341 649 10	Transmission bracket		1	PR:D50
4	N 105 167 02	bolt, hex. hd. with shoulder, self-locking M 10 X 55		2	
5	N 100 155 07	Hex collared bolt BM 8 X 70		2	
6	N 019 503 8	Hexagon bolt M 8 X 35		2	
7	N 909 913 02	hexagon head bolt (combi) AM 10 X 80		4	

Model: 9PA108

Model life 2007>>2010



Model: 9PA108 Model life 2007>>2010

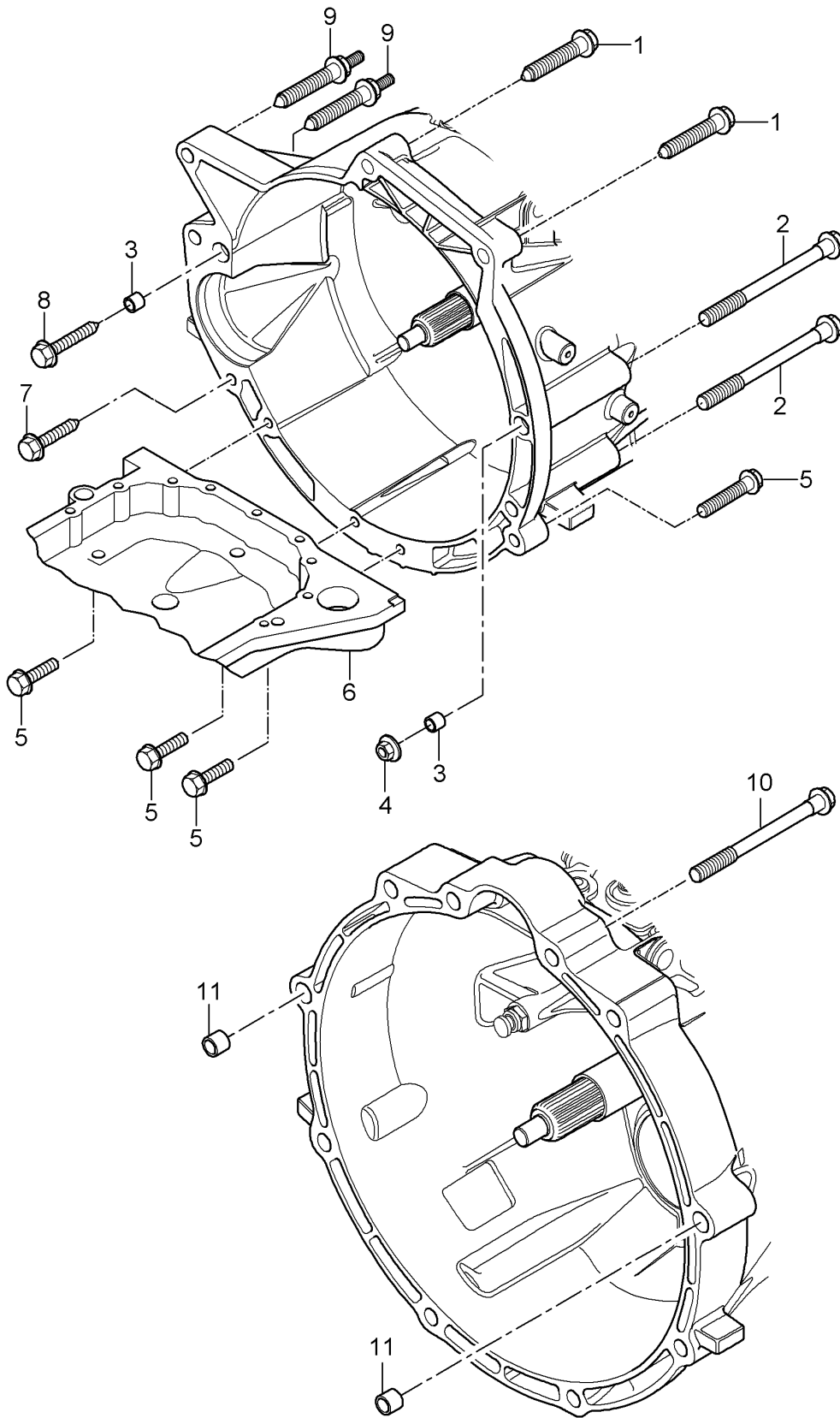
Pos	Part Number	Description	Remark	Qty	Model
		Tiptronic			PR:G0R
1	955 300 011 03	Replacement transmission Classification letter JSN		1	PR:D5X
(1)	955 300 012 X	Discontinued part Replacement transmission Classification letter JSN		1	PR:D5X
(1)	955 300 011 04	Discontinued part Replacement transmission Classification letter KML		1	PR:D5X
(1)	955 300 012 DX	Replacement transmission Classification letter KML		1	PR:D5X
(1)	955 300 011 40	Replacement transmission Classification letter KMB		1	PR:D50
(1)	955 300 012 GX	Replacement transmission Classification letter KMB		1	PR:D50
(1)	955 300 011 28	Replacement transmission Classification letter JFD		1	PR:D5V
(1)	955 300 012 AX	Discontinued part Replacement transmission Classification letter JFD		1	PR:D5V
(1)	955 300 011 29	Discontinued part Replacement transmission Classification letter KQW		1	PR:D5V
(1)	955 300 012 CX	Discontinued part Replacement transmission Classification letter KQW		1	PR:D5V
(1)	955 300 011 30	Discontinued part Replacement transmission Classification letter KMM for vehicles up to F >> 9P-8LA52 982 F >> 9P-8LA73 576 F >> 9P-8LA52 988 F >> 9P-8LA73 577		1	
		also use:	955 618 121 05 955 618 121 12		
(1)	955 300 012 EX	Replacement transmission Classification letter KMM for vehicles up to F >> 9P-8LA52 982 F >> 9P-8LA73 576 F >> 9P-8LA52 988 F >> 9P-8LA73 577		1	PR:D5V, E0A, E0W
		also use:	955 618 121 05 955 618 121 12		
(1)	955 300 011 52	Replacement transmission		1	PR:D5V, E0A, E0W PR:D5Z

Model: 9PA108 Model life 2007>>2010

Pos	Part Number	Description	Remark	Qty	Model
(1)	955 300 012 BX	Classification letter JFE Discontinued part Replacement transmission		1	PR:D5Z
(1)	955 300 011 53	Classification letter JFE Discontinued part Replacement transmission		1	
		Classification letter KMN for vehicles up to F >> 9P-8LA96 403 F >> 9P-8LA96 436 also use:	955 618 122 05 955 618 122 12		
(1)	955 300 012 FX	Replacement transmission Classification letter KMN for vehicles up to F >> 9P-8LA96 403 F >> 9P-8LA96 436 also use:	955 618 122 05 955 618 122 12	1	PR:D5Z,E0A, E81,E8A
2	000 043 205 28	Transmission fluid ATF 1 LTR. Container		X	
(2)	958 300 901 00	Discontinued part Transmission fluid ATF 1 LTR. Container		X	
(2)	000 043 205 29	Transmission fluid ATF 20 LTR. Container		X	

Model: 9PA108

Model life 2007>>2010

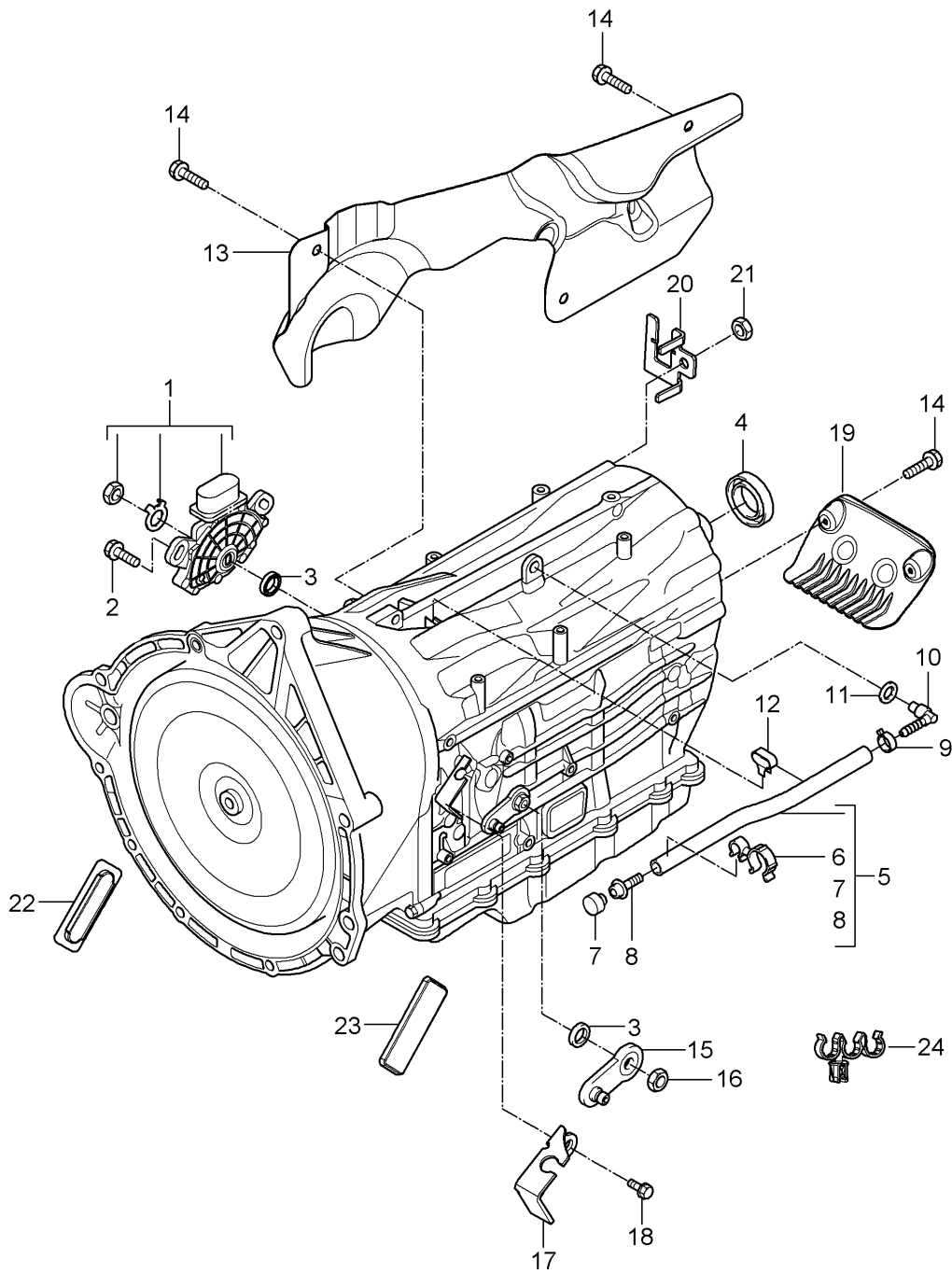


Model: 9PA108 Model life 2007>>2010

Pos	Part Number	Description	Remark	Qty	Model
-		Threaded joint Engine Gearbox for Porsche Cayenne			
1	N 102 171 03	Hex collared bolt BM 12 X 60 X 48		3	PR:D5X
(1)	N 911 063 01	Hexagon collared bolt with hexagon socket head (duo) M 12 X 80		2	PR:D50
2	N 105 923 02	Hex collared bolt BM 12 X 140 X 49		2	PR:D5X
(2)	N 910 301 02	multi-point socket head bolt with collar M 12 X 70		1	PR:D50
3		dowel sleeve see illustration:	101-040	2	PR:D5X
3		dowel sleeve see illustration:	101-050	2	PR:D50
4	N 104 748 03	Hexagon collar nut M 12 X 1,5		1	PR:D5X
5	N 103 145 05	Hex collared bolt AM 10 X 50		4	PR:D5X
(5)	N 911 063 01	Hexagon collared bolt with hexagon socket head (duo) M 12 X 80		1	PR:D50
(5)	N 102 902 06	Hex collared bolt M 10 X 70		3	PR:D50
6		oil sump see illustration:	104-005	1	PR:D5X
(6)		oil sump see illustration:	104-007	1	PR:D50
7		Mount Starter see illustration:	902-005	1	
8	N 104 091 04	Hexagon bolt AM 12 X 70		1	PR:D5X
(8)	N 911 063 01	Hexagon collared bolt with hexagon socket head (duo) M 12 X 80		1	PR:D50
9	N 907 682 02	double stud with hexagon drive AM 12 X 60 / M 8 X 16 D >> - MJ 2009		2	PR:D5X
(9)	N 102 171 03	Hex collared bolt BM 12 X 60 X 48 D - MJ 2010>>		2	PR:D5X
-		for Cayenne S and Cayenne turbo			
10	N 910 181 02	Hexagon bolt AM 12 X 1,5 X 70		8	PR:D5V
(10)	N 910 181 02	Hexagon bolt AM 12 X 1,5 X 70		10	PR:D5Z
(10)	WHT 002 782	Hexagon bolt AM 12 X 1,5 X 75		2	PR:D5V
11		see illustration:	101-030	2	

Model: 9PA108

Model life 2007>>2010

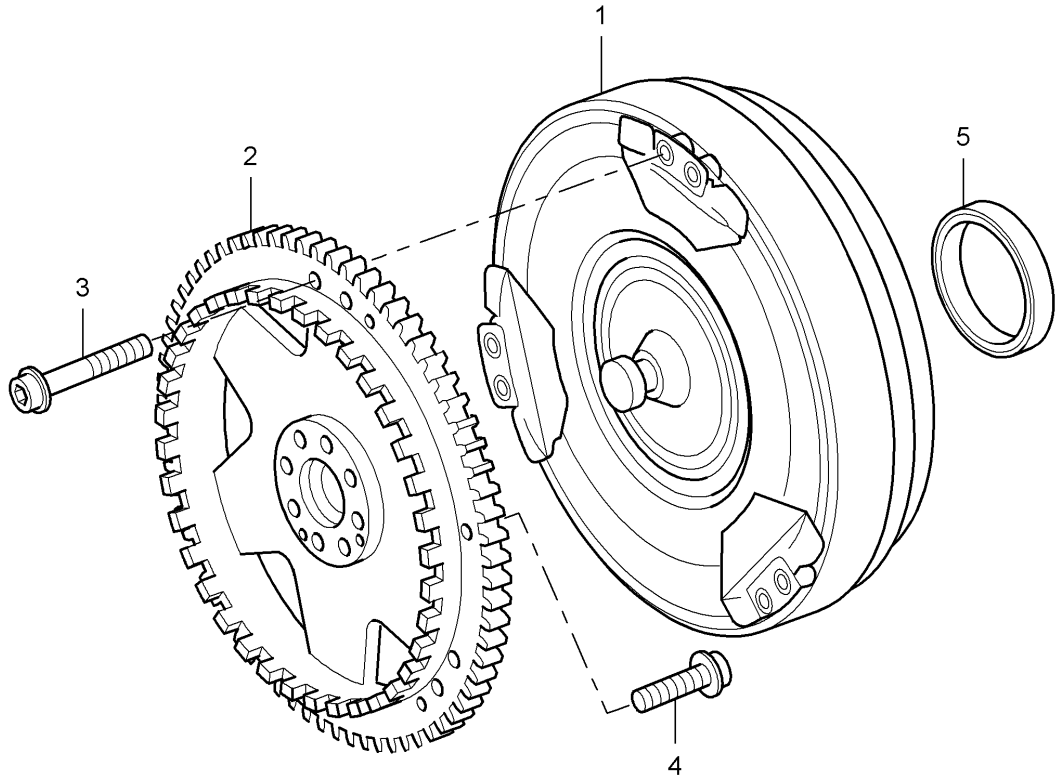


Model: 9PA108 Model life 2007>>2010

Pos	Part Number	Description	Remark	Qty	Model
		Tiptronic Selector switch Accessories			PR:G0R
1	955 325 612 01	Selector switch		1	
2	WHT 000 325 A	Hexagon bolt M 6 X 20		2	
3	955 321 199 30	radial shaft seal 11 X 22 X 7		2	
4	955 321 189 00	radial shaft seal 41 X 72 X 11		1	
5	955 301 047 00	breather assy. 1360 MM modify in workshop 445 MM 540 MM		1	PR:D5X,D5V, D5Z
6	N 103 283 01	Bracket		1	PR:D5X
(6)	N 105 679 01	Double clip A01-13 X C05-22	also use: N 105 679 01	1	PR:D5V,D5Z
7	014 301 485	Cap for venting the gearbox		1	
8	955 301 090 00	ventilation union		1	
9	955 317 063 01	Clip		1	
10	955 301 381 00	connection piece		1	
11	955 301 577 00	O-ring 8,2 X 1,9		1	
12	955 301 565 01	Clip		1	
13	955 301 328 01	Guard plate	right	1	
(13)	955 301 327 20	Guard plate	left	1	PR:D50
14	N 100 829 11	hexagon head bolt (combi) M 6 X 16		5	PR:-D50
(14)	N 100 091 10	hexagon head bolt (combi) M 6 X 12 Mount	left	4	PR:D50
15	955 301 266 20	selector lever		1	PR:-D50
(15)	955 301 266 30	selector lever		1	PR:D50
16	N 902 891 05	hexagon nut, self-locking		1	
17	955 301 165 20	abutment		1	PR:-D50
(17)	955 301 165 30	abutment		1	PR:D50
18	900 378 017 01	Hexagon bolt M 8 X 20		2	
19	955 301 307 00	Guard plate		1	PR:D5V,D5Z
20	955 301 502 00	Bracket for Wire set		1	
21	N 011 006 32	Hexagon nut M 6		1	
22	955 301 210 00	End cap	right	1	PR:D5V,D5Z
(22)	955 301 212 10	End cap	right	1	PR:D5X
(22)	955 301 212 20	End cap	right	1	PR:D50
23	955 301 210 00	End cap	left	1	PR:D5V,D5Z
(23)	955 301 212 00	End cap	left	1	PR:D5X
24	955 301 351 00	Bracket Bleeding		1	PR:D5V,D5Z

Model: 9PA108

Model life 2007>>2010



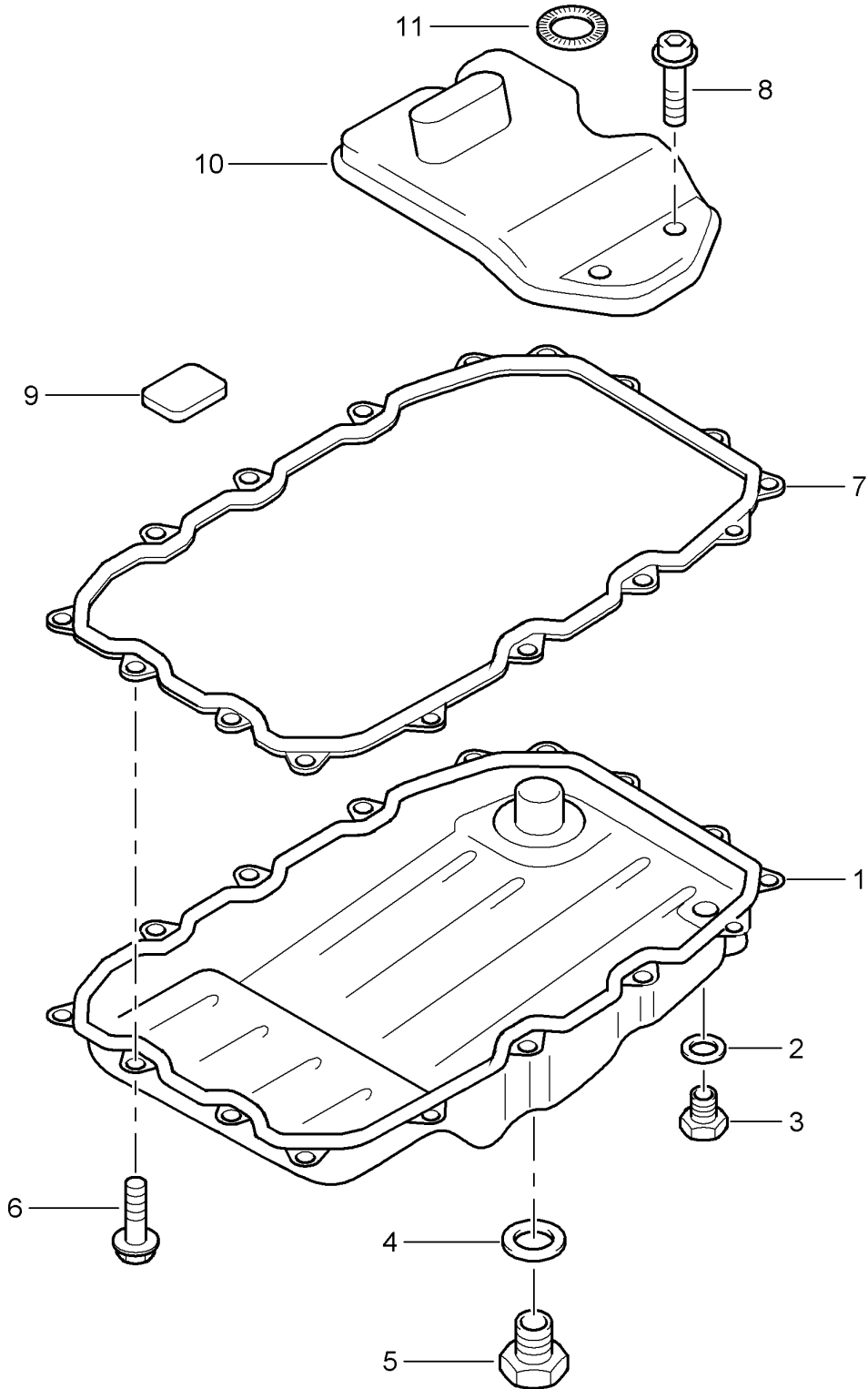
Model: 9PA108

Model life 2007>>2010

Pos	Part Number	Description	Remark	Qty	Model
		Tiptronic			PR:G0R
		Torque converter			
1	955 316 001 03	Clutch plate		1	PR:D5V
(1)	955 316 001 52	Torque converter		1	PR:D5Z
(1)	955 316 001 21	Torque converter		1	PR:D5X
(1)	955 316 001 40	Torque converter		1	PR:D50
2	955 116 075 52	Clutch plate		1	PR:D5V,D5Z
		Discontinued part			
(2)	958 102 327 00	Clutch plate		1	PR:D5V,D5Z
(2)		Clutch plate		1	PR:D5X
		see illustration:	102-010		
(2)		Clutch plate		1	PR:D50
		see illustration:	102-020		
3	N 910 425 01	Socket head bolt		6	PR:D5V,D5Z
		M 10 X 1 X 23			
(3)	N 906 916 01	Socket head bolt with hexagon		3	PR:D5X
		socket head (combination)			
		M 10 X 1 X 17			
(3)	N 906 916 01	Socket head bolt with hexagon		6	PR:D50
		socket head (combination)			
		M 10 X 1 X 17			
4	N 909 869 01	Socket head bolt with inner		10	PR:D5V,D5Z
		multipoint head			
		M 10 X 1 X 22			
(4)		Socket head bolt		10	PR:D5X
		M 10 X 1 X 19			
		see illustration:	102-010		
(4)		Socket head bolt		10	PR:D50
		M 10 X 1 X 19			
		see illustration:	102-020		
5	955 321 243 02	radial shaft seal		1	
		43,65 x 62,1 x 7,7			

Model: 9PA108

Model life 2007>>2010



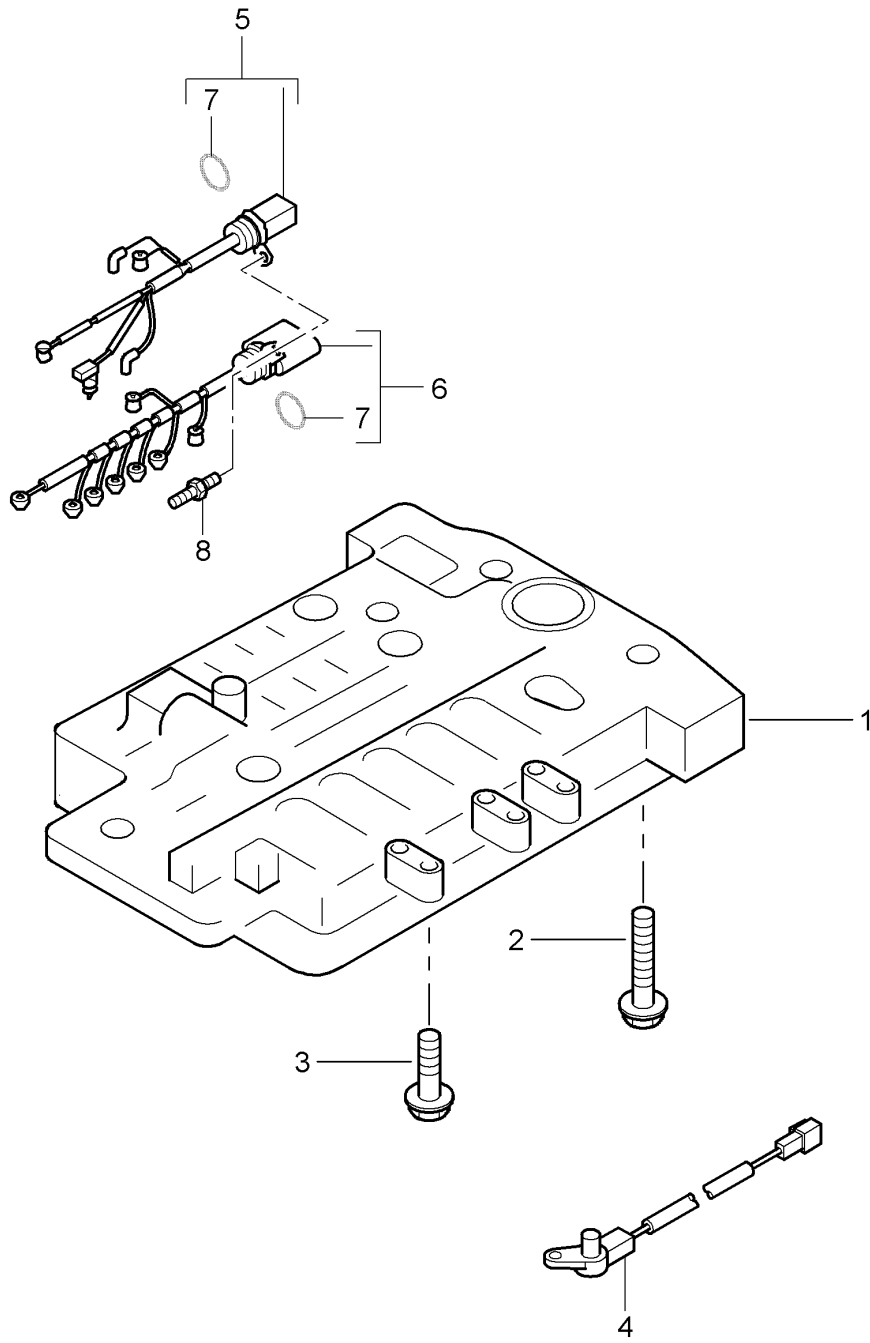
Model: 9PA108

Model life 2007>>2010

Pos	Part Number	Description	Remark	Qty	Model
		Tiptronic oil filter			PR:GOR
1	955 321 025 01	oil sump		1	
2	955 321 181 01	oil sump seal ring		1	
		16,7 X 11,9			
3	WHT 000 206 A	drain plug M 10 X 9		1	
4	955 321 379 00	seal ring		1	
5	WHT 000 323 A	sealing plug M 24 X 1,5 X 14		1	
6	WHT 000 326 A	hexagon head bolt (combi) M 6 X 25		16	
7	955 397 016 00	Oil sump gasket		1	
8	WHT 000 322	hexagon head bolt (combi) M 6 X 12		3	
9	955 321 368 00	Magnet for oil sump		1	
10	955 307 403 01	oil filter		1	
11	955 325 443 00	Seal		1	

Model: 9PA108

Model life 2007>>2010



Model: 9PA108 Model life 2007>>2010

Pos	Part Number	Description	Remark	Qty	Model
1	955 325 039 12	Tiptronic valve body valve body for Gearbox Classification letter JSN F >> 9P-8LA26 516 F >> 9P-8LA26 515		1	PR:G0R PR:D5X
(1)	955 325 039 13	valve body for Gearbox Classification letter KML F 9P-8LA26 517>> F 9P-8LA26 516>>		1	PR:D5X
(1)	955 325 039 20	valve body for Gearbox Classification letter KMB		1	PR:D50
(1)	955 325 039 15	valve body for Gearbox Classification letter JFD / KQW F >> 9P-8LA52 982 F >> 9P-8LA73 576 F >> 9P-8LA52 988 F >> 9P-8LA73 577		1	PR:D5V
(1)	955 325 039 20	valve body for Gearbox Classification letter KMM F 9P-8LA52 983>> F 9P-8LA73 577>> F 9P-8LA52 989>> F 9P-8LA73 578>>		1	PR:D5V
(1)	955 325 039 51	valve body for Gearbox Classification letter JFE F >> 9P-8LA96 403 F >> 9P-8LA96 436		1	PR:D5Z
(1)	955 325 039 52	Discontinued part valve body for Gearbox Classification letter KMN F 9P-8LA96 404>> F 9P-8LA96 437>>		1	PR:D5Z
2	WHT 000 321	hexagon head bolt (combi) M 6 X 40		3	
3	WHT 000 324	hexagon head bolt (combi) M 6 X 28		11	
4	955 606 321 01	Inductive sensor for Output speed F >> 9P-8LA26 516 F >> 9P-8LA26 515		1	

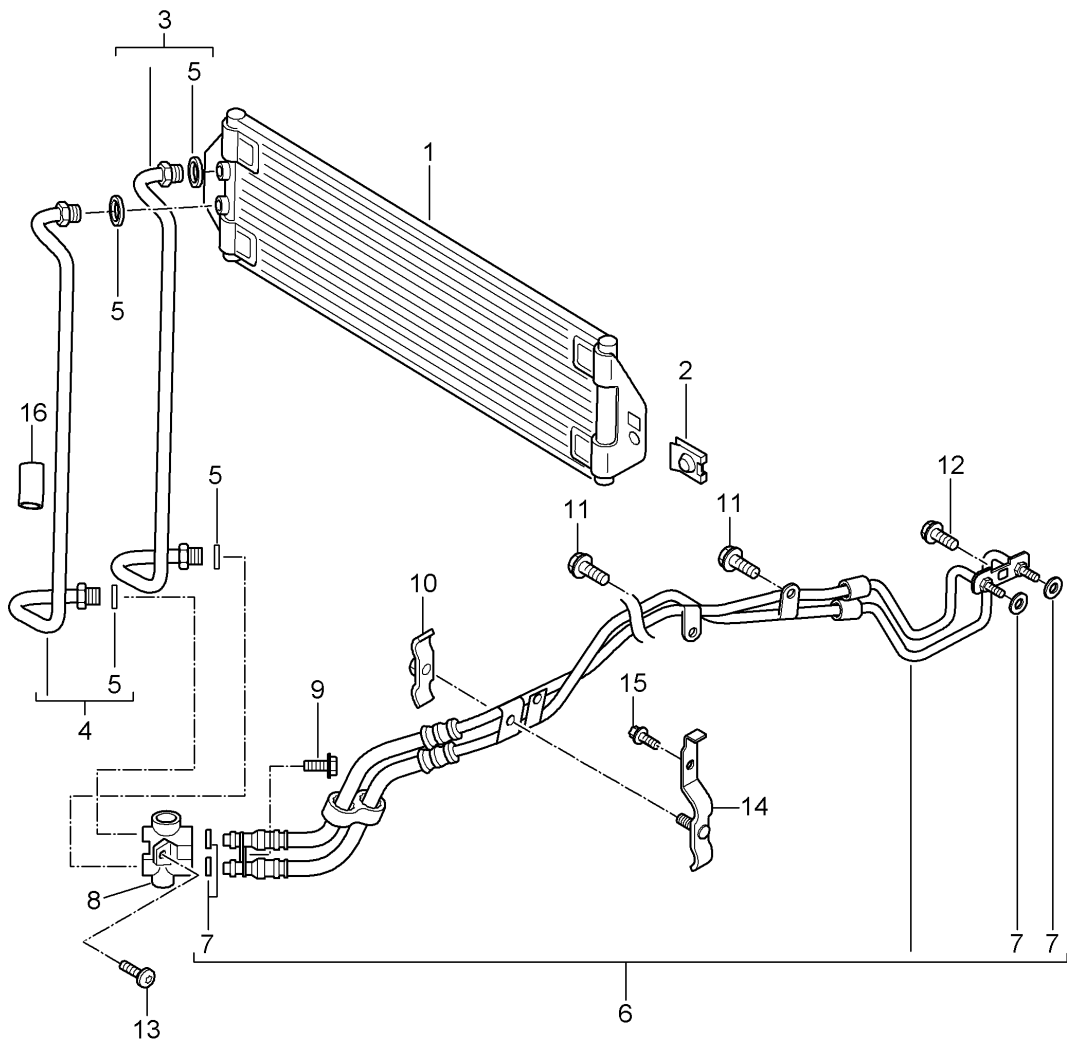
Model: 9PA108

Model life 2007>>2010

Pos	Part Number	Description	Remark	Qty	Model
(4)	955 606 321 02	F >> 9P-8LA52 982 F >> 9P-8LA73 576 F >> 9P-8LA52 988 F >> 9P-8LA73 577 F >> 9P-8LA96 403 F >> 9P-8LA96 436 Inductive sensor for Output speed F 9P-8LA26 517>> F 9P-8LA26 516>> F 9P-8LA52 983>> F 9P-8LA73 577>> F 9P-8LA52 989>> F 9P-8LA73 578>> F 9P-8LA96 404>> F 9P-8LA96 437>>		1	
5	955 325 363 02	Wire set 6-pole F >> 9P-8LA26 516 F >> 9P-8LA26 515 F >> 9P-8LA52 982 F >> 9P-8LA73 576 F >> 9P-8LA52 988 F >> 9P-8LA73 577 F >> 9P-8LA96 403 F >> 9P-8LA96 436		1	
(5)	955 325 363 03	Wire set 6-pole F 9P-8LA26 517>> F 9P-8LA26 516>> F 9P-8LA52 983>> F 9P-8LA73 577>> F 9P-8LA52 989>> F 9P-8LA73 578>> F 9P-8LA96 404>> F 9P-8LA96 437>>		1	
6	955 325 363 12	Wire set 14-pole		1	
7	955 325 364 00	seal ring 21,8 X 2,4		2	
8	WHT 000 320 A	double stud with hexagon drive M 6 X 18 / M 6 X 10		1	

Model: 9PA108

Model life 2007>>2010



Model: 9PA108 Model life 2007>>2010

Pos	Part Number	Description	Remark	Qty	Model
		Tiptronic			PR:G0R
(1)	955 307 017 02	Atf cooler Atf lines Atf cooler (complete) Discontinued part		1	PR:D5X,D5V
1	955 307 017 00	Atf cooler only in conj. with: Oil pipe 955.307.172.02 955.307.171.02 See technical information Service Group 3 KD-NR.3860 76 / 09 F >> 9P-ALA51 583		1	PR:D5X,D5V
(1)	955 307 017 03	Discontinued part Atf cooler only in conj. with: Oil pipe 955.307.172.03 955.307.171.03 See technical information Service Group 3 KD-NR.3860 76 / 09 F 9P-ALA51 584>>		1	PR:D5X,D5V
(1)	955 307 017 01	Atf cooler		1	PR:D5Z
(1)	955 307 017 00	Atf cooler only in conj. with: Oil pipe 955.307.172.01 955.307.171.01 See technical information Service Group 3 KD-NR.3860 76 / 09		1	PR:D50
(1)	955 307 017 03	Discontinued part Atf cooler only in conj. with: Oil pipe 955.307.172.04 955.307.171.04 See technical information Service Group 3 KD-NR.3860 76 / 09		1	PR:D50
2	N 012 648 3	Retaining washer 8		2	
3	955 307 172 02	Oil return line only in conj. with: Atf cooler 955.307.017.00 See technical information Service Group 3 KD-NR.3860 76 / 09 F >> 9P-ALA51 583		1	PR:D5X,D5V

Model: 9PA108 Model life 2007>>2010

Pos	Part Number	Description	Remark	Qty	Model
(3)	955 307 172 06	Discontinued part Oil return line only in conj. with: Atf cooler 955.307.017.00 See technical information Service Group 3 KD-NR.3860 76 / 09		1	PR:D5X,D5V
(3)	955 307 172 03	F >> 9P-ALA51 583 Oil return line with: Bolt with washer only in conj. with: Atf cooler 955.307.017.03 See technical information Service Group 3 KD-NR.3860 76 / 09		1	PR:D5X,D5V
(3)	955 307 172 07	F 9P-ALA51 584>> Discontinued part Oil return line with: Bolt with washer only in conj. with: Atf cooler 955.307.017.03 See technical information Service Group 3 KD-NR.3860 76 / 09		1	PR:D5X,D5V
(3)	955 307 172 50	F 9P-ALA51 584>> Oil return line		1	PR:D5Z
(3)	955 307 172 01	Oil return line only in conj. with: Atf cooler 955.307.017.00 See technical information Service Group 3 KD-NR.3860 76 / 09		1	PR:D50
(3)	955 307 172 04	Oil return line with: Bolt with washer only in conj. with: Atf cooler 955.307.017.03 See technical information Service Group 3 KD-NR.3860 76 / 09		1	PR:D50
(3)	955 307 172 08	Discontinued part Oil return line with: Bolt with washer only in conj. with: Atf cooler		1	PR:D50

Model: 9PA108 Model life 2007>>2010

Pos	Part Number	Description	Remark	Qty	Model
4	955 307 171 02	955.307.017.03 See technical information Service Group 3 KD-NR.3860 76 / 09 Oil pipe Supply only in conj. with: Atf cooler 955.307.017.00 See technical information Service Group 3 KD-NR.3860 76 / 09 F >> 9P-ALA51 583		1	PR:D5X,D5V
(4)	955 307 171 06	Discontinued part Oil pipe Supply only in conj. with: Atf cooler 955.307.017.00 See technical information Service Group 3 KD-NR.3860 76 / 09 F >> 9P-ALA51 583		1	PR:D5X,D5V
(4)	955 307 171 03	Oil pipe Supply with: Bolt with washer only in conj. with: Atf cooler 955.307.017.03 See technical information Service Group 3 KD-NR.3860 76 / 09 F 9P-ALA51 584>>		1	PR:D5X,D5V
(4)	955 307 171 07	Discontinued part Oil pipe Supply with: Bolt with washer only in conj. with: Atf cooler 955.307.017.03 See technical information Service Group 3 KD-NR.3860 76 / 09 F 9P-ALA51 584>>		1	PR:D5X,D5V
(4)	955 307 171 50	Oil pipe Supply		1	PR:D5Z
(4)	955 307 171 01	Oil pipe Supply only in conj. with: Atf cooler 955.307.017.00		1	PR:D50

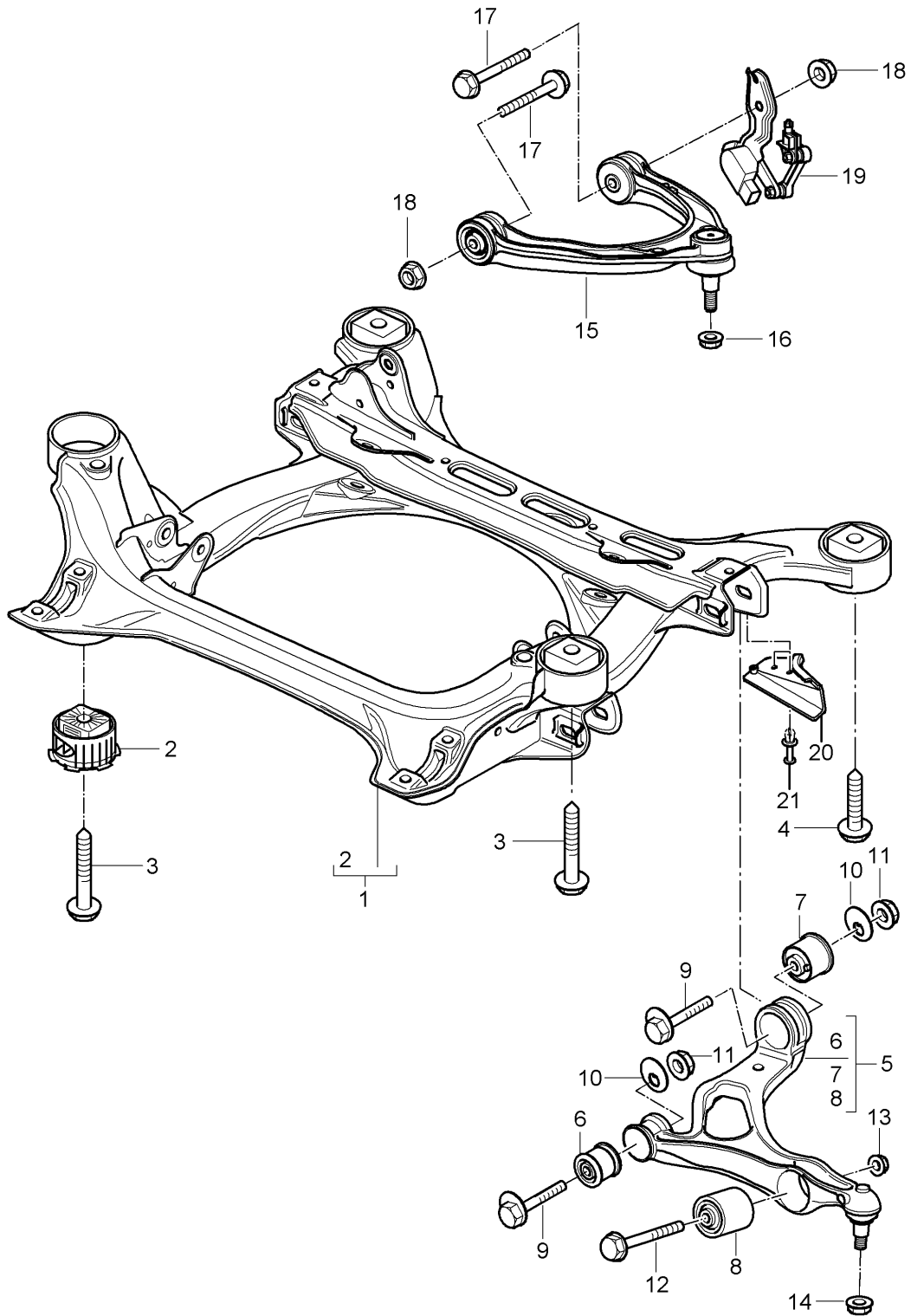
Model: 9PA108

Model life 2007>>2010

Pos	Part Number	Description	Remark	Qty	Model
(4)	955 307 171 04	See technical information Service Group 3 KD-NR.3860 76 / 09 Oil pipe Supply with: Bolt with washer only in conj. with: Atf cooler 955.307.017.03 See technical information Service Group 3 KD-NR.3860 76 / 09		1	PR:D50
(4)	955 307 171 08	Discontinued part Oil pipe Supply with: Bolt with washer only in conj. with: Atf cooler 955.307.017.03 See technical information Service Group 3 KD-NR.3860 76 / 09		1	PR:D50
5	955 307 292 00	O-ring 11.1 X 1,78		4	
6	955 307 073 21	Oil pipe (complete)		1	PR:D5X
(6)	955 307 801 50	Oil pipe Supply		1	PR:D5V,D5Z
(6)	955 307 801 51	Oil pipe Return line		1	PR:D5V,D5Z
(6)	955 307 073 30	Oil pipe (complete)		1	PR:D50
7	N 906 660 01	O-ring 11,5 X 3		4	
8	955 307 027 01	thermostat		1	PR:D5X,D5V
(8)	955 307 027 02	thermostat		1	PR:D5Z
(8)	955 307 027 01	thermostat		1	PR:D50
9	N 908 424 02	hexagon head bolt (combi) M 6 X 22		1	
10	955 307 211 01	Bracket		1	PR:D5V,D5Z
11	N 100 829 11	hexagon head bolt (combi) M 6 X 16		2	PR:D5X
11	N 100 829 11	hexagon head bolt (combi) M 6 X 16		2	PR:D50
(11)	N 100 829 11	hexagon head bolt (combi) M 6 X 16		1	PR:D5V,D5Z
12	N 105 454 02	hexagon head bolt (combi) M 8 X 25		1	
13	N 104 514 04	Hexagon socket flat head bolt M 6 X 16		1	
14	948 307 147 11	Bracket		1	PR:D5V,D5Z
15	900 385 041 01	Torx screw BM 6 X 12		1	PR:D5V,D5Z
16	N 107 225 01	Distance piece		1	PR:D50

Model: 9PA108

Model life 2007>>2010



Model: 9PA108 Model life 2007>>2010

Pos	Part Number	Description	Remark	Qty	Model
1	955 341 030 18	Suspension sub-frame Wishbone Headlight range control Level sensor Suspension sub-frame F >> 9P-8LA51 871 F >> 9P-8LA71 822 F >> 9P-8LA95 514		1	PR:1BA,1BW, 1BK,1BH PR:0AB
(1)	955 341 030 19	Suspension sub-frame F 9P-8LA51 872>> F 9P-8LA71 823>> F 9P-8LA95 515>>		1	PR:0AB
(1)	955 341 030 20	Discontinued part Suspension sub-frame F 9P-8LA51 872>> F 9P-8LA71 823>> F 9P-8LA95 515>> Discontinued part		1	PR:0AB
(1)	955 341 030 21	Suspension sub-frame F 9P-8LA51 872>> F 9P-8LA71 823>> F 9P-8LA95 515>>		1	PR:0AB
(1)	955 341 030 30	Suspension sub-frame F >> 9P-8LA51 871 F >> 9P-8LA71 822 F >> 9P-8LA95 514		1	PR:0AW
(1)	955 341 030 31	Suspension sub-frame F 9P-8LA51 872>> F 9P-8LA71 823>> F 9P-8LA95 515>> Discontinued part		1	PR:0AW
(1)	958 341 030 00	Suspension sub-frame F 9P-8LA51 872>> F 9P-8LA71 823>> F 9P-8LA95 515>>		1	PR:0AW
2	955 341 133 01	Bonded rubber bush		4	
3	N 909 987 02	bolt,hex.hd.with shoul.(combi) M 14 X 1,5 X 150		2	
4	N 910 093 02	bolt,hex.hd.with shoul.(combi) M 14 X 1,5 X 120		2	
5	955 341 017 33	Wishbone	left lower	1	PR:1LK
(5)	955 341 017 33	D >> - MJ 2008 Wishbone F >> 9P-8LA34 847	left lower	1	PR:1LL,B0D, B0E,B0A,B0L, B0N,B0R,B0W, B1C,B1D,B1P, B1Q,B2G PR:1LL,B0M
(5)	955 341 017 61	Wishbone F >> 9P-8LA34 847	left lower	1	PR:1LL
(5)	955 341 017 61	F 9P-8LA34 848>> D >> - MJ 2008 Wishbone	left lower	1	PR:1LP
(5)	955 341 017 61	D >> - MJ 2008 Wishbone	left lower	1	PR:1LM,E0W
(5)	955 341 017 61	D >> - MJ 2008 Wishbone	left lower	1	PR:1LH,E81

Model: 9PA108 Model life 2007>>2010

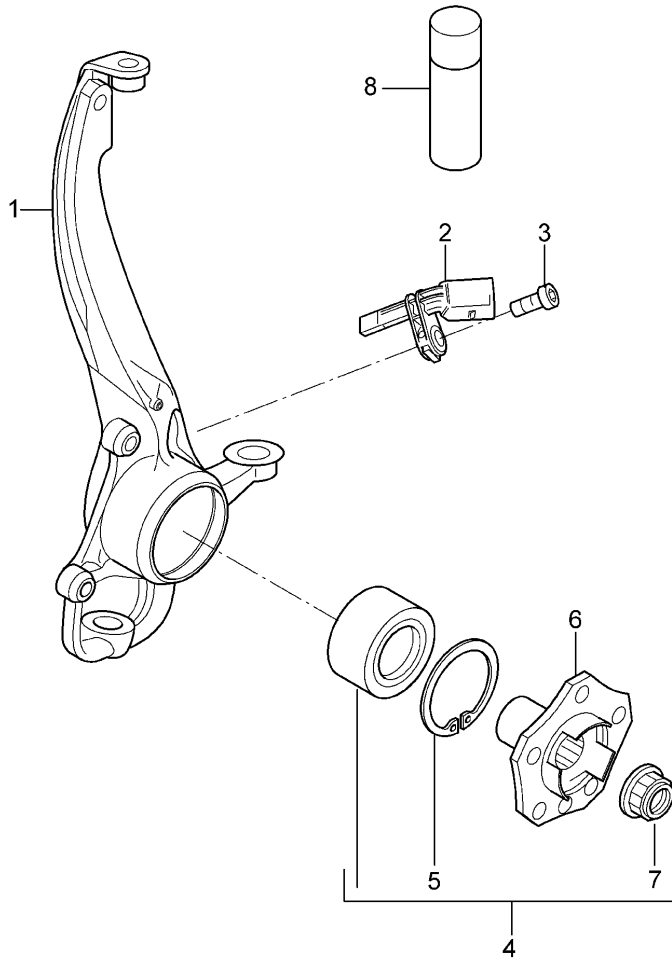
Pos	Part Number	Description	Remark	Qty	Model
(5)	955 341 017 61	D >> - MJ 2008 Wishbone	left lower	1	
(5)	955 341 018 33	D - MJ 2009>> Wishbone	right lower	1	PR:1LK
(5)	955 341 018 33	D >> - MJ 2008 Wishbone	right lower	1	PR:1LL,B0D, B0E,B0A,B0L, B0N,B0R,B0W, B1C,B1D,B1P, B1Q,B2G
(5)	955 341 018 61	F >> 9P-8LA34 847 Wishbone	right lower	1	PR:1LL,B0M
(5)	955 341 018 61	F >> 9P-8LA34 847 Wishbone	right lower	1	PR:1LL
(5)	955 341 018 61	F 9P-8LA34 848>> D >> - MJ 2008 Wishbone	right lower	1	PR:1LP
(5)	955 341 018 61	D >> - MJ 2008 Wishbone	right lower	1	PR:1LM,E0W
(5)	955 341 018 61	D >> - MJ 2008 Wishbone	right lower	1	PR:1LH,E81
(5)	955 341 018 61	D >> - MJ 2008 Wishbone	right lower	1	
6	955 341 588 10	D - MJ 2009>> Link bearing		2	
7	955 341 242 04	hydro-mounting Use for 955.341.017./018.33		2	PR:1LK
(7)	955 341 242 04	D >> - MJ 2008 hydro-mounting		2	PR:1LL,B0D, B0E,B0L,B0N, B0R,B0W,B1C, B1D,B1P,B1Q, B2G
(7)	955 341 242 61	F >> 9P-8LA34 847 Use for 955.341.017./018.33 hydro-mounting		2	PR:1LL,B0M
(7)	955 341 242 61	F >> 9P-8LA34 847 Use for 955.341.017./18.61 hydro-mounting		2	PR:1LL
(7)	955 341 242 61	F 9P-8LA34 848>> Use for 955.341.017./018.61 D >> - MJ 2008 hydro-mounting		2	PR:1LP
(7)	955 341 242 61	D >> - MJ 2008 Use for 955.341.017./018.61 hydro-mounting		2	PR:1LM,E0W
(7)	955 341 242 61	D >> - MJ 2008 Use for 955.341.017./018.61 D >> - MJ 2008 hydro-mounting		2	

Model: 9PA108 Model life 2007>>2010

Pos	Part Number	Description	Remark	Qty	Model
(7)	955 341 242 61	hydro-mounting Use for 955.341.017./018.61 D >> - MJ 2008		2	PR:1LH,E81
(7)	955 341 242 61	hydro-mounting Use for 955.341.017./018.61 D - MJ 2009>>		2	
8	955 343 243 01	suspension strut bearing		2	
9	WHT 001 833	Eccentric bolt M 14 X 1,5 X 102		4	
10	WHT 001 796 A	eccentric washer		4	
11	WHT 001 938	hexagon nut, self-locking M 14 X 1,5		4	
12	N 105 326 02	Hex collared bolt M 14 X 1,5 X 102		2	
13	N 103 353 04	Hexagon nut M 14 X 1,5		2	
14	N 909 771 01	Hexagon collar nut self-locking M 14 X 1,5		2	
15	955 341 027 02	Wishbone	upper	2	
16	N 909 413 01	Hexagon collar nut self-locking M 12 X 1,5		2	
17	N 102 902 06	Hex collared bolt M 10 X 70		4	
18	N 102 861 10	Hexagon collar nut self-locking M 10		4	
19	955 341 075 21	Level sensor with poles Attention see Technical manual 947801	left	1	PR:1BA,1BW, 8Q3
(19)	955 341 075 21	Level sensor with poles	left	1	PR:1BK
(19)	955 341 075 21	Level sensor with poles beachten see Technical manual 947801	left	1	PR:1BH
(19)	955 341 076 21	Level sensor with poles	right	1	PR:1BK
(19)	955 341 076 21	Level sensor with poles	right	1	PR:1BH
20	955 341 483 00	Spoiler F 9P-8LA51 872>> F 9P-8LA71 823>> F 9P-8LA95 515>>	left	1	PR:D5V,D5Z
(20)	955 341 484 00	Spoiler F 9P-8LA51 872>> F 9P-8LA71 823>> F 9P-8LA95 515>>	right	1	PR:D5V,D5Z
21	N 107 009 01	Spreader rivet BD 4,5 X 11,5 F 9P-8LA51 872>> F 9P-8LA71 823>> F 9P-8LA95 515>>		4	PR:D5V,D5Z

Model: 9PA108

Model life 2007>>2010

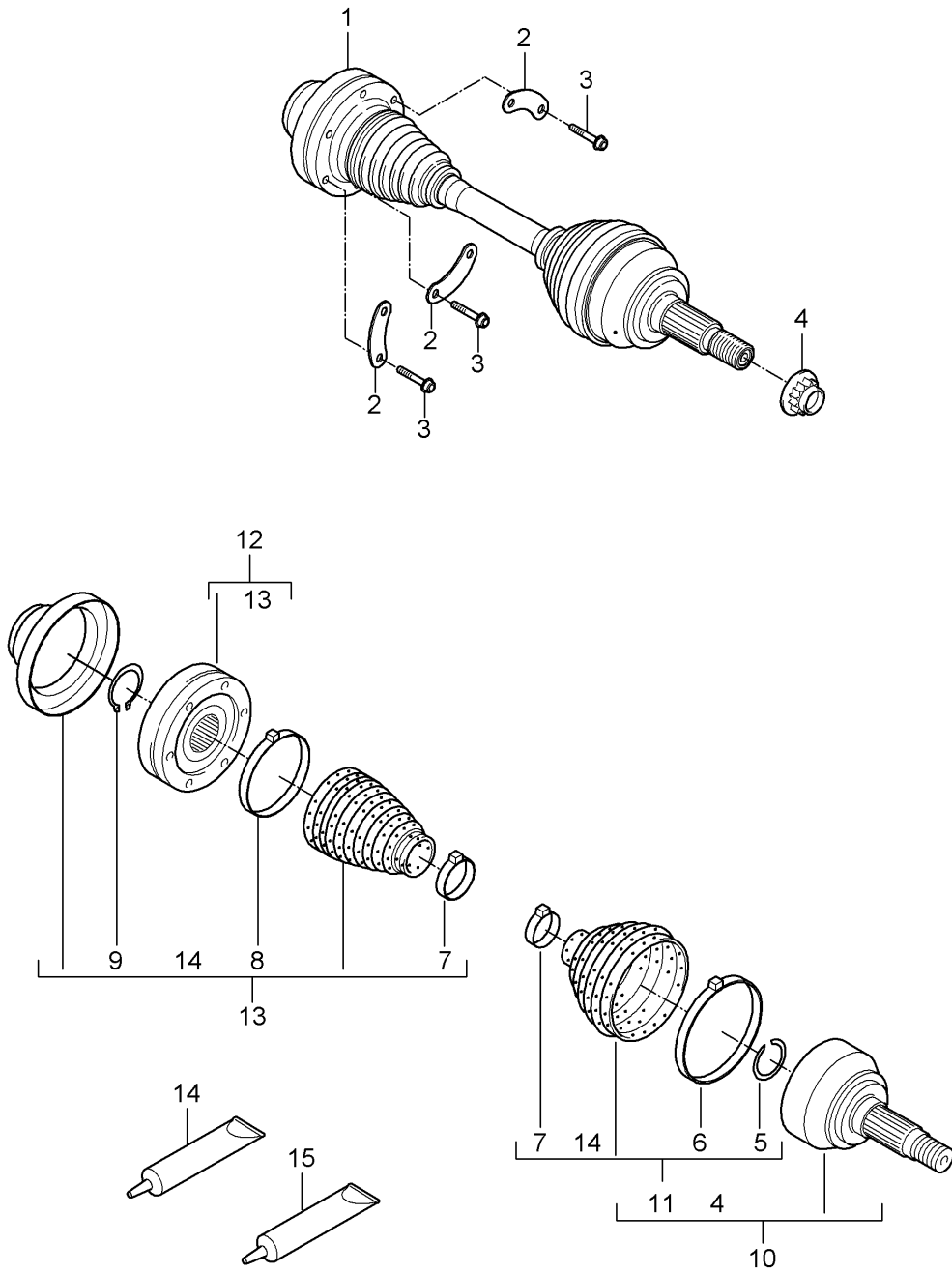


Model: 9PA108 Model life 2007>>2010

Pos	Part Number	Description	Remark	Qty	Model
1	955 341 155 10	Swivel mounting Wheel hub			
(1)	955 341 156 10	Swivel mounting	left	1	
2	955 606 405 11	Swivel mounting speed sensor	right	1	
		Discontinued part	left	1	
2	955 606 405 12	speed sensor	left	1	
(2)	955 606 406 11	speed sensor	right	1	
3	N 014 740 11	Socket head bolt with hexagon socket head M 6 X 16		2	
4	955 341 901 00	Repair set for rear axle angular ball bearing		2	
		also use:	N 105 234 02	6	
		for			
		Mount			
5	N 105 320 01	Drive shaft Securing ring 95 X 3		2	
6	955 341 605 11	Wheel hub		2	
7	955 341 640 00	Locknut M 24		2	
8	000 043 204 21	Grease Spraying can 25 ML		1	
8	G 052 778 A2	Discontinued part Lock cylinder grease spray Spraying can 25 ML		1	

Model: 9PA108

Model life 2007>>2010



Model: 9PA108 Model life 2007>>2010

Pos	Part Number	Description	Remark	Qty	Model
1	955 349 038 12	Drive shaft see Quick Information: 14/08 Drive shaft		2	
		F >> 9P-9LA11 921			
		F >> 9P-9LA20 134			
		F >> 9P-ALA30 060			
		F >> 9P-9LA46 803			
		F >> 9P-9LA66 198			
		F >> 9P-9LA83 403			
(1)	955 349 038 13	Drive shaft		2	
		F 9P-9LA11 922>>			
		F 9P-9LA20 135>>			
		F 9P-ALA30 061>>			
		F 9P-9LA46 804>>			
		F 9P-9LA66 199>>			
		F 9P-9LA83 404>>			
2	955 349 191 11	Spacer		6	
3	N 105 234 02	Socket head bolt with inner multipoint head		12	
		AM 10 X 52			
4	955 341 640 00	Locknut		2	
		M 24 X 1,5			
5	N 909 908 01	Securing ring		2	
		27,5 X 2			
		F >> 9P-9LA11 921			
		F >> 9P-9LA20 134			
		F >> 9P-ALA30 060			
		F >> 9P-9LA46 803			
		F >> 9P-9LA66 198			
		F >> 9P-9LA83 403			
(5)	N 910 923 01	snap ring		2	
		29,5 X 2			
		F 9P-9LA11 922>>			
		F 9P-9LA20 135>>			
		F 9P-ALA30 061>>			
		F 9P-9LA46 804>>			
		F 9P-9LA66 199>>			
		F 9P-9LA83 404>>			
6	N 910 235 01	clamp		2	
		104,5 X 10 X 1			
7	N 908 240 01	clamp		4	
		34,5 X 10 X 0,8			
8	N 106 015 01	clamp		2	
		74,5 X 10 X 1			
9	N 012 374 1	Securing ring		2	
		28 X 1,5			
10	955 349 901 02	repair kit for joint flange		2	
		F >> 9P-9LA11 921			
		F >> 9P-9LA20 134			
		F >> 9P-ALA30 060			
		F >> 9P-9LA46 803			
		F >> 9P-9LA66 198			
		F >> 9P-9LA83 403			
(10)	955 349 901 03	repair kit for joint flange		2	
		F 9P-9LA11 922>>			
		F 9P-9LA20 135>>			
		F 9P-ALA30 061>>			
		F 9P-9LA46 804>>			
		F 9P-9LA66 199>>			
		F 9P-9LA83 404>>			

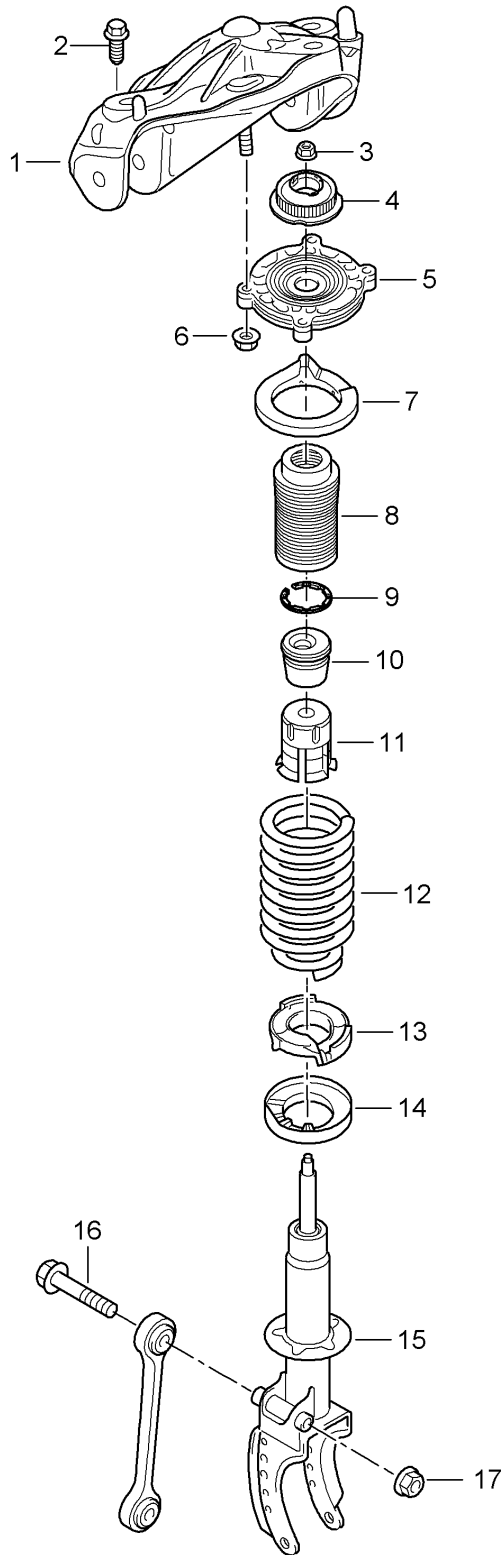
Model: 9PA108

Model life 2007>>2010

Pos	Part Number	Description	Remark	Qty	Model
11	955 349 904 00	Repair set for front axle Dust bellows		2	
12	955 349 902 01	Repair set for front axle Joint		2	
13	955 349 903 01	Repair set for front axle Dust bellows		2	
14	955 349 110 00	Grease Drive shaft 1 tube 120 GR.		X	
15	000 043 020 00	Assembly paste 1 100-gramme tube		X	
(15)	000 043 205 36	sealant Drive shaft 1 100-gramme tube		X	

Model: 9PA108

Model life 2007>>2010



Model: 9PA108 Model life 2007>>2010

Pos	Part Number	Description	Remark	Qty	Model
		suspension			PR:1BA,1BW, 1BH
1	955 343 015 21	Shock absorber strut		2	
2	N 910 400 02	Bracket		6	
		Bracket			
3	N 909 664 02	bolt,hex.hd.with shoul.(combi)		2	
		AM 10 X 37			
4	955 343 018 00	Hexagon collar nut		2	
(4)	955 333 019 00	self-locking		2	PR:1BA
(4)	955 333 019 00	M 12 X 1,5		2	PR:1BW
5	955 343 071 10	Shock absorber bearing		2	PR:1BH
6	N 104 355 06	Shock absorber bearing		2	
		Bearing plate		8	
7	955 343 528 00	Hexagon collar nut		2	
8	955 343 505 00	self-locking		2	
(8)	955 343 505 20	M 8		2	PR:1BA,1BW
9	955 343 535 00	spring disc	upper	2	PR:1BH
10	955 343 301 00	Protective sleeve		2	PR:1BH
(10)	955 343 301 30	Protective sleeve		2	PR:1BA,1BW
11	955 343 503 10	Retaining ring		2	PR:1BH
12	955 343 533 10	Stop buffer		2	PR:1BA,1BW
		Stop buffer		1	PR:D5X,0JA, 1BA
		Cap			
		Coil spring			
		1 set			
		Discontinued part			
	955 343 533 10 504	1 pair of springs			
		pure white			
		Deer Brown			
(12)	955 343 533 11	Coil spring		1	PR:D5X,0JA, 1BA
		1 set			
		1 pair of springs			
		azure blue			
		Pastel orange			
		Pastel orange			
(12)	955 343 533 20	Coil spring		1	PR:D5X,0JB, 0JC,0JD,0JE, 1BA
		1 set			
		D >> - MJ 2009			
		Discontinued part			
	955 343 533 20 504	1 pair of springs			
		pure white			
		Deer Brown			
		Deer Brown			
(12)	955 343 533 21	Coil spring		1	PR:D5X,0JB, 0JC,0JD,0JE, 1BA
		1 set			
		D - MJ 2010>>			
	955 343 533 21 504	1 pair of springs			
		azure blue			
		Pastel orange			
		Pastel orange			
		Pastel orange			
(12)	955 343 533 20	Coil spring		1	PR:D50,0JB, 0JC,0JD,1BA
		1 set			
		D >> - MJ 2009			
	955 343 533 20 504	1 pair of springs			
		pure white			
		Deer Brown			
		Deer Brown			
(12)	955 343 533 21	Coil spring		1	PR:D50,0JB, 0JC,0JD,1BA
		1 set			
		D - MJ 2010>>			
	955 343 533 21 504	1 pair of springs			
		azure blue			

Model: 9PA108

Model life 2007>>2010

Pos	Part Number	Description	Remark	Qty	Model
(12)	955 343 533 30	Pastel orange Pastel orange Pastel orange Coil spring 1 set D >> - MJ 2009		1	PR:D5X,0JA, 1BW
	955 343 533 30 504	1 pair of springs pure white yellow-green			
(12)	955 343 533 31	Coil spring 1 set D - MJ 2010>>		1	PR:D5X,0JA, 1BW
	955 343 533 31 504	1 pair of springs azure blue yellow			
(12)	955 343 533 40	Coil spring 1 set D >> - MJ 2009		1	PR:D5X,0JB, 0JC,0JD,0JE, 1BW
	955 343 533 40 504	Discontinued part 1 pair of springs pure white yellow-green yellow-green			
(12)	955 343 533 41	Coil spring 1 set D - MJ 2010>>		1	PR:D5X,0JB, 0JC,0JD,0JE, 1BW
	955 343 533 41 504	1 pair of springs azure blue yellow yellow			
(12)	955 343 533 50	Coil spring 1 set D >> - MJ 2009		1	PR:D5V,0JC, 0JD,0JE,0JF, 1BA
	955 343 533 50 504	Discontinued part 1 pair of springs pure white Opal Green			
(12)	955 343 533 51	Coil spring 1 set D - MJ 2010>>		1	PR:D5V,0JC, 0JD,0JE,0JF, 1BA
	955 343 533 51 504	1 pair of springs azure blue fire red			
(12)	955 343 533 60	Coil spring 1 set D >> - MJ 2009		1	PR:D5V,0JG, 1BA
	955 343 533 60 504	1 pair of springs pure white Opal Green Opal Green			
(12)	955 343 533 61	Coil spring 1 set D - MJ 2010>>		1	PR:D5V,0JG, 1BA
	955 343 533 61 504	No longer use the part here 1 pair of springs azure blue fire red fire red			
(12)	955 343 533 70	Coil spring 1 set D >> - MJ 2009		1	PR:D5V,0JC, 0JD,0JE,0JF, 1BW
	955 343 533 70 504	Discontinued part 1 pair of springs			

Model: 9PA108 Model life 2007>>2010

Pos	Part Number	Description	Remark	Qty	Model
(12)	955 343 533 71	pure white fire red Coil spring 1 set D - MJ 2010>>		1	PR:D5V,0JC, 0JD,0JE,0JF, 1BW
	955 343 533 71 504	1 pair of springs azure blue yellow yellow yellow			
(12)	955 343 533 80	Coil spring 1 set D >> - MJ 2009		1	PR:D5V,0JG, 1BW
	955 343 533 80 504	1 pair of springs pure white fire red fire red			
(12)	955 343 533 81	Coil spring 1 set D - MJ 2010>>		1	PR:D5V,0JG, 1BW
	955 343 533 81 504	1 pair of springs azure blue Pastel orange			
(12)	955 343 533 90	Coil spring 1 set		1	PR:D5V,0JC, 0JD,0JE,0JF, 1BH
	955 343 533 90 504	1 pair of springs Zinc Yellow			
(12)	955 343 533 95	Coil spring 1 set		1	PR:D5V,0JG, 1BH
	955 343 533 95 504	1 pair of springs Zinc Yellow Zinc Yellow			
(12)	955 343 534 00	Coil spring 1 set		1	PR:D50,0JE, 0JF,0JG,1BA
	955 343 534 00 504	1 pair of springs pure white Opal Green Opal Green Opal Green			
13	955 343 527 00	spring disc	lower	2	PR:1BA,1BW
(13)	955 343 528 00	spring disc	lower	2	PR:1BH
14	955 343 525 00	Balancing plate Black	lower	2	PR:1BA,1BW
(14)	955 343 525 30	Balancing plate Black	lower	2	PR:1BH
(14)	955 343 525 10	Balancing plate blue	lower	2	PR:1BA,1BW
(14)	955 343 525 40	Balancing plate blue	lower	2	PR:1BH
(14)	955 343 525 20	Balancing plate beige	lower	2	PR:1BA,1BW
(14)	955 343 525 50	Balancing plate beige	lower	2	PR:1BH
15	955 343 043 40	Shock absorbers	left	1	PR:D5X,D5V, 1BA
(15)	955 343 043 40	Shock absorbers	left	1	PR:D50,1BA
(15)	955 343 043 50	Shock absorbers	left	1	PR:D5X,D5V, 1BW
(15)	955 343 043 70	Shock absorbers	left	1	PR:D5V,1BH
(15)	955 343 044 40	Shock absorbers	right	1	PR:D5X,D5V, 1BA
(15)	955 343 044 40	Shock absorbers	right	1	PR:D50,1BA

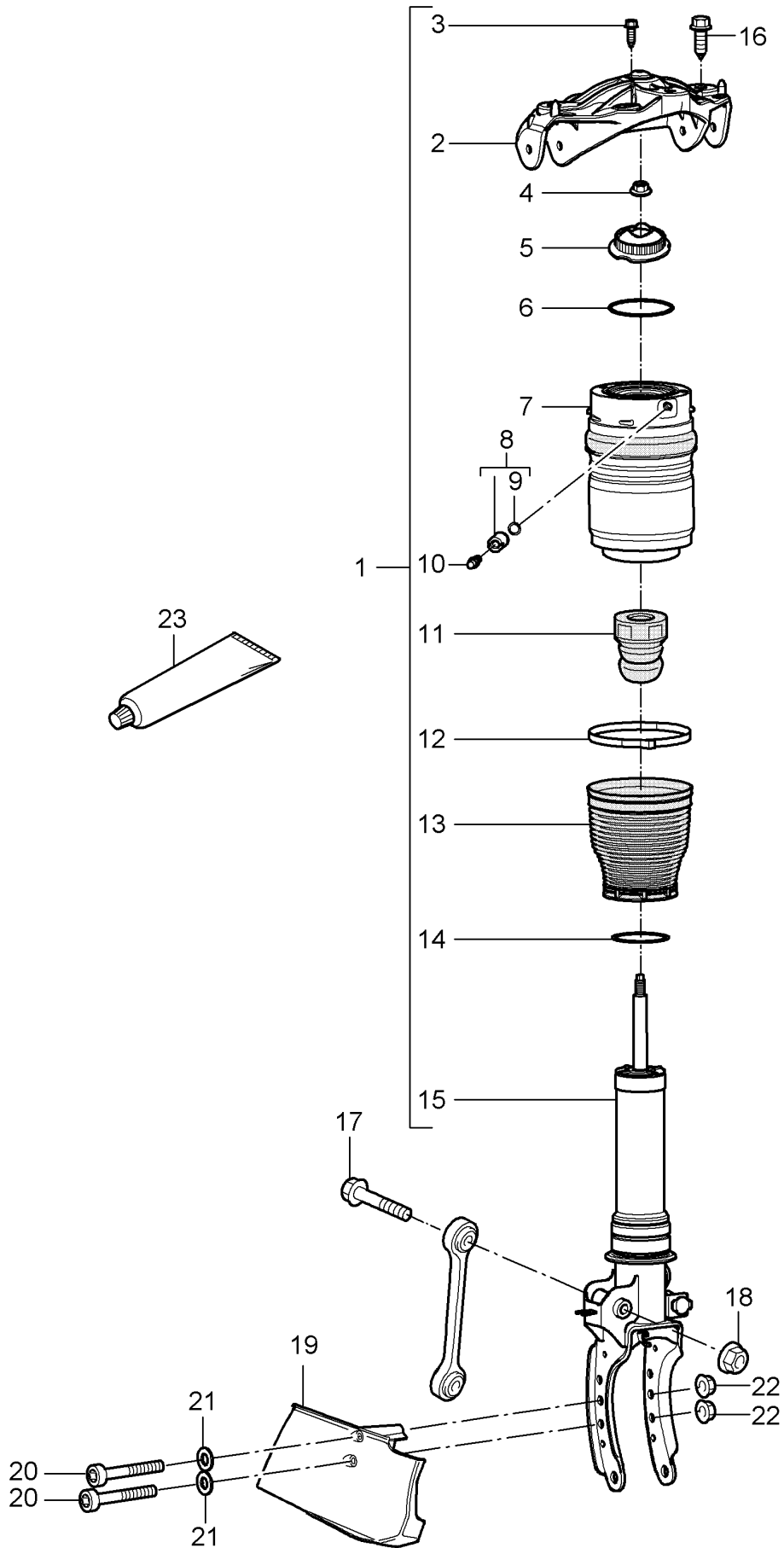
Model: 9PA108

Model life 2007>>2010

Pos	Part Number	Description	Remark	Qty	Model
(15)	955 343 044 50	Shock absorbers	right	1	PR:D5X,D5V, 1BW
(15)	955 343 044 70	Shock absorbers	right	1	PR:D5V,1BH
16	N 105 760 02	Hex collared bolt M 12 X 1,5 X 125		2	
17	N 104 029 04	Hexagon nut M 12 X 1,5		2	

Model: 9PA108

Model life 2007>>2010



Model: 9PA108

Model life 2007>>2010

Pos	Part Number	Description	Remark	Qty	Model
		suspension			PR:1BK
1	955 358 039 00	Spring strut suspension strut complete	left	1	PR:D5X
		See workshop manual Group 4 43-01IN00			
(1)	955 358 039 01	Discontinued part suspension strut complete	left	1	PR:D5X
		See workshop manual Group 4 43-01IN00			
(1)	955 358 039 01	suspension strut complete	left	1	PR:D50
		See workshop manual Group 4 43-01IN00			
(1)	955 358 039 10	suspension strut complete	left	1	PR:D5V,D5Z
		See workshop manual Group 4 43-01IN00			
(1)	955 358 039 11	Discontinued part suspension strut complete	left	1	PR:D5V,D5Z
		See workshop manual Group 4 43-01IN00			
(1)	955 358 040 00	suspension strut complete	right	1	PR:D5X
		See workshop manual Group 4 43-01IN00			
(1)	955 358 040 01	Discontinued part suspension strut complete	right	1	PR:D5X
		See workshop manual Group 4 43-01IN00			
(1)	955 358 040 01	suspension strut complete	right	1	PR:D50
		See workshop manual Group 4 43-01IN00			
(1)	955 358 040 10	suspension strut complete	right	1	PR:D5V,D5Z
		See workshop manual Group 4 43-01IN00			
(1)	955 358 040 11	Discontinued part suspension strut complete	right	1	PR:D5V,D5Z
		See workshop manual Group 4 43-01IN00			
2	955 343 015 31	Bracket		2	
3	N 101 277 07	Hex collared bolt M 8 X 26		8	
4	N 909 664 02	Hexagon collar nut self-locking M 12 X 1,5		2	
5	955 343 018 10	Shock absorber bearing		2	
6	N 910 956 01	O-ring 96 x 4		2	
7	955 358 403 20	air spring	left	1	PR:D5X
		D >> - MJ 2008			
(7)	955 358 403 21	air spring	left	1	PR:D5X
		D - MJ 2009>>			
(7)	955 358 403 21	air spring	left	1	PR:D50
(7)	955 358 403 30	air spring	left	1	PR:D5V,D5Z
		Discontinued part			
(7)	955 358 403 31	air spring	left	1	PR:D5V,D5Z

Model: 9PA108

Model life 2007>>2010

Pos	Part Number	Description	Remark	Qty	Model
(7)	955 358 404 20	air spring D >> - MJ 2008 Discontinued part	right	1	PR:D5X
(7)	955 358 404 21	air spring D - MJ 2009>>	right	1	PR:D5X
(7)	955 358 404 21	air spring	right	1	PR:D50
(7)	955 358 404 30	air spring Discontinued part	right	1	PR:D5V,D5Z
(7)	955 358 404 31	air spring	right	1	PR:D5V,D5Z
8	955 358 720 00	Residual press. control valve with: seal ring See workshop manual Group 4 43-36 Discontinued part		2	
(8)	955 358 720 02	Residual press. control valve with: seal ring See workshop manual Group 4 43-36		2	
-	N 904 142 01	Seal bolt with sealing ring M 10 X 1 See workshop manual Group 4 43-36		X	
-	000 043 300 57	Cleaning solution See workshop manual Group 4 43-36		X	
-	000 043 300 58	Preservative See workshop manual Group 4 43-36		X	
9	955 358 722 00	seal ring 8 x 1,5		2	
10	955 358 541 00	push-on connector Air line		2	
11	955 343 301 10	Stop buffer		2	
12	955 358 725 00	Clamp		2	
13	955 343 505 10	Bellows		2	
14	N 904 324 02	O-ring 70 x 4		2	
15	955 343 043 60	Shock absorbers	left	1	
(15)	955 343 044 60	Shock absorbers	right	1	
16	N 910 400 02	bolt,hex.hd.with shoul.(combi) AM 10 x 37		6	
17	N 105 760 02	Hex collared bolt M 12 X 1,5 X 125		2	
18	N 104 029 04	Hexagon nut M 12 X 1,5		2	
19	955 351 117 00	Air guide D >> - MJ 2008	left	1	PR:1LP
19	955 351 117 00	Air guide D >> - MJ 2008	left	1	PR:1LH,E81
(19)	955 351 117 00	Air guide D - MJ 2009>>	left	1	PR:1LH,1LX
(19)	955 351 118 00	Air guide D >> - MJ 2008	right	1	PR:1LP
(19)	955 351 118 00	Air guide D >> - MJ 2008	right	1	PR:1LH,E81
(19)	955 351 118 00	Air guide D >> - MJ 2008	right	1	PR:1LH,1LX

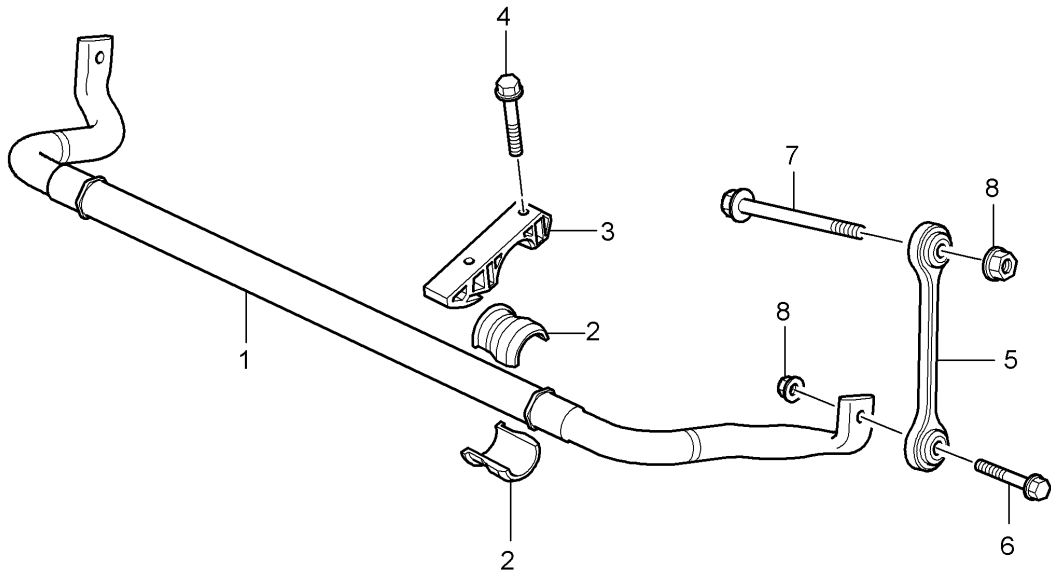
Model: 9PA108

Model life 2007>>2010

Pos	Part Number	Description	Remark	Qty	Model
20	N 105 475 02	D - MJ 2009>> Socket head bolt with inner hex round head BM 6 X 80 X 37		4	PR:1LP
(20)	N 105 475 02	D >> - MJ 2008 Socket head bolt with inner hex round head BM 6 X 80 X 37		4	PR:1LH,E81
(20)	N 105 475 02	D >> - MJ 2008 Socket head bolt with inner hex round head BM 6 X 80 X 37		4	PR:1LH,1LX
21	N 104 048 06	D - MJ 2009>> Washer 6,4 X 12 X 1,6		4	PR:1LP
(21)	N 104 048 06	D >> - MJ 2008 Washer 6,4 X 12 X 1,6		4	PR:1LH,E81
(21)	N 104 048 06	D >> - MJ 2008 Washer 6,4 X 12 X 1,6		4	PR:1LH,1LX
22	N 102 058 02	D - MJ 2009>> Hexagon collar nut self-locking M 6		4	PR:1LP
(22)	N 102 058 02	D >> - MJ 2008 Hexagon collar nut self-locking M 6		4	PR:1LH,E81
(22)	N 102 058 02	D >> - MJ 2008 Hexagon collar nut self-locking M 6		4	PR:1LH,1LX
23	000 043 204 68	D - MJ 2009>> Grease Syntheso Glep 1 1 50-g tube		1	

Model: 9PA108

Model life 2007>>2010



Model: 9PA108 Model life 2007>>2010

Pos	Part Number	Description	Remark	Qty	Model
1	955 343 701 50	Anti-roll bar Anti-roll bar 37,00 MM Identification: >> >> yellow		1	PR:0AB PR:D5V,D5Z, 1BK -"CN.", -"RUS"
(1)	955 343 701 51	Anti-roll bar 37,00 MM Identification: >> >> yellow		1	PR:D5V,D5Z, 1BK "CN.", "RUS"
(1)	955 343 701 60	Stabiliser mounting Anti-roll bar 38,00 MM Identification: >> >> orange	with:	1	PR:D5V,E0W, E1T,1BK
(1)	955 343 701 60	Anti-roll bar 38,00 MM Identification: >> >> orange		1	PR:D5X,1BA, 1BK
(1)	955 343 701 70	Anti-roll bar 38,00 MM Identification: >> >> green		1	PR:D5X,1BW -"CN.", -"RUS"
(1)	955 343 701 71	Anti-roll bar 38,00 MM Identification: >> >> green		1	PR:D5X,1BW "CN.", "RUS"
(1)	955 343 701 70	Stabiliser mounting Anti-roll bar 38,00 MM Identification: >> >> green	with:	1	PR:D5V,1BA, 1BW -"CN.", -"RUS"
(1)	955 343 701 71	Anti-roll bar 38,00 MM Identification: >> >> green		1	PR:D5V,1BA, 1BW "CN.", "RUS"
(1)	955 343 701 70	Stabiliser mounting Anti-roll bar 38,00 MM Identification: >> >> green	with:	1	PR:D50 -"CN.", -"RUS"
(1)	955 343 701 71	Anti-roll bar 38,00 MM Identification: >> >> green		1	PR:D50 "CN.", "RUS"
(1)	955 343 701 80	Stabiliser mounting Anti-roll bar 38,00 MM Identification: >> >> brown	with:	1	PR:D5V,1BH -"CN.", -"RUS"
(1)	955 343 701 81	Anti-roll bar 38,00 MM Identification: >> >> brown		1	PR:D5V,1BH "CN.", "RUS"
2	955 343 792 50	Stabiliser mounting anti-roll bar bearing bracket 35,90 MM Identification: >> >> yellow	with:	4	PR:D5V,D5Z, 1BK -"CN.", -"RUS"

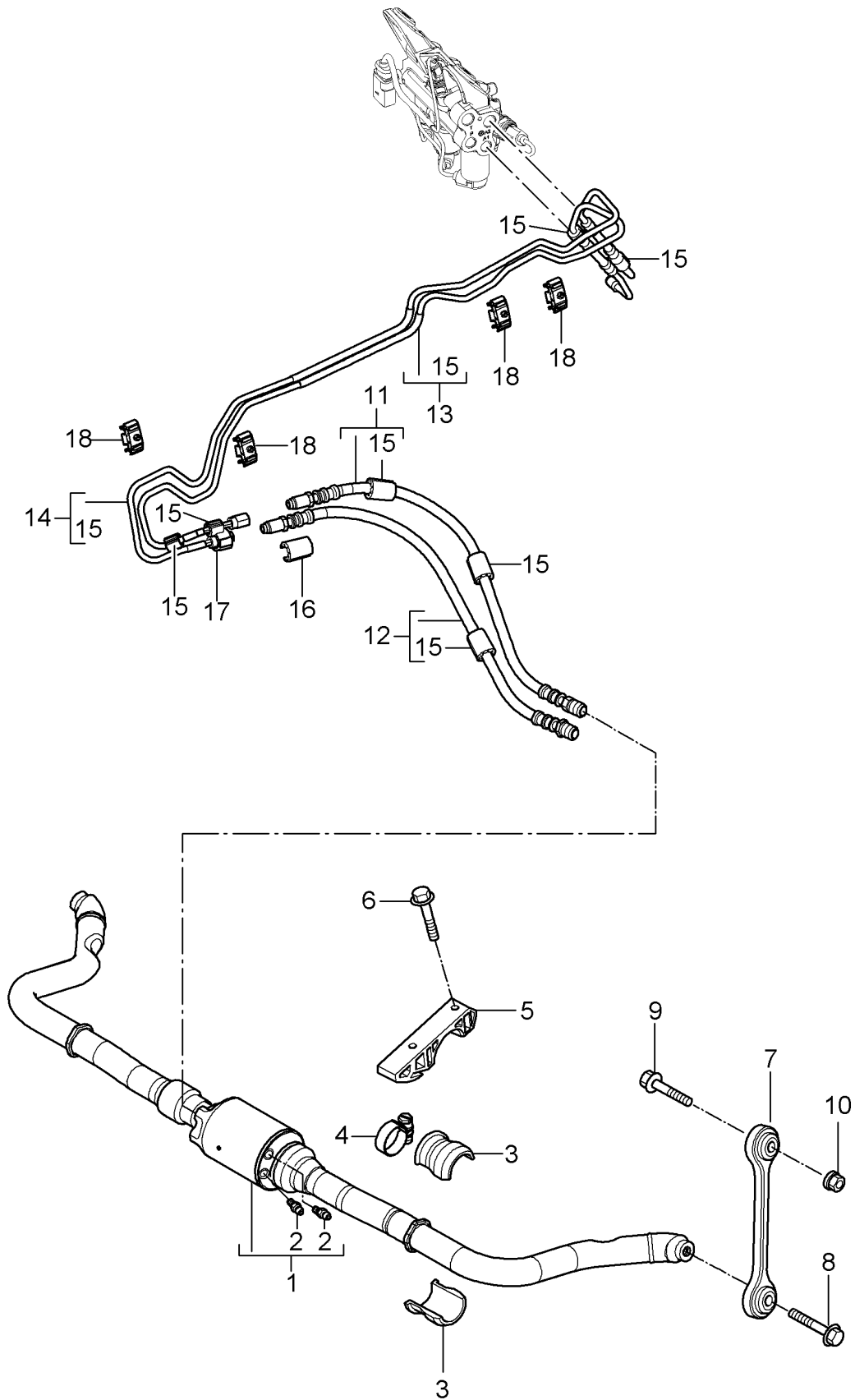
Model: 9PA108

Model life 2007>>2010

Pos	Part Number	Description	Remark	Qty	Model
(2)	955 343 792 61	anti-roll bar bearing bracket 36,80 MM Identification: >> >> orange green brown		4	PR:D5V,E0W, E1T,1BK -"CN.", -"RUS"
(2)	955 343 792 61	anti-roll bar bearing bracket 36,80 MM Identification: >> >> orange green brown		4	PR:D5X -"CN.", -"RUS"
(2)	955 343 792 61	anti-roll bar bearing bracket 36,80 MM Identification: >> >> orange green brown		4	PR:D5V,1BA, 1BW -"CN.", -"RUS"
(2)	955 343 792 61	anti-roll bar bearing bracket 36,80 MM Identification: >> >> orange green brown		4	PR:D50 -"CN.", -"RUS"
(2)	955 343 792 61	anti-roll bar bearing bracket 36,80 MM orange green brown		4	PR:D5V,1BH -"CN.", -"RUS"
3	955 343 777 11	Clamp		2	
4	N 104 253 02	Hex collared bolt M 10 X 62 X 45		4	
5	955 343 069 00	Coupling rod		2	
6	N 105 668 03	Hex collared bolt M 12 X 1,5 X 60		2	
7	N 105 760 02	Hex collared bolt M 12 X 1,5 X 125		2	
8	N 104 029 04	Hexagon nut M 12 X 1,5		4	

Model: 9PA108

Model life 2007>>2010



Model: 9PA108 Model life 2007>>2010

Pos	Part Number	Description	Remark	Qty	Model
1	955 343 703 00	Anti-roll bar Anti-roll bar		1	PR:OAW
(1)	955 343 703 01	with: Breather valve Discontinued part Anti-roll bar		1	
(1)	958 343 703 00	without: Breather valve Discontinued part Anti-roll bar		1	
2	955 343 902 00	without: Breather valve		2	
3	955 343 793 00	Breather valve		4	
4	N 107 168 01	anti-roll bar bearing bracket		2	
5	955 343 777 11	Hose clamp B1 55 X 20		2	
6	N 104 253 02	Clamp		4	
7	955 343 069 10	Hex collared bolt M 10 X 62 X 45		2	
8	N 106 121 02	Coupling rod		2	
9	N 105 760 02	Hexagon bolt M 12 X 1,5 X 50		2	
10	N 104 029 04	Hex collared bolt M 12 X 1,5 X 125		2	
11	955 359 111 00	Hexagon nut M 12 X 1,5		1	
(11)	955 359 111 01	Hose Discontinued part		1	
(11)	955 359 111 02	Hose Discontinued part		1	
(11)	955 359 111 03	Hose No longer use the part here		1	
12	955 359 112 00	Hose		1	
(12)	955 359 112 01	with: Shrink-fit hose Identification: >> >> green also use: N 107 225 01 Discontinued part Hose		1	
(12)	955 359 112 02	with: Shrink-fit hose Identification: >> >> green also use: N 107 225 01 Discontinued part Hose		1	
(12)	955 359 112 03	with: Shrink-fit hose Identification: >> >> green also use: N 107 225 01 Discontinued part Hose		1	
13	955 359 113 00	with: Hose Discontinued part		1	
(13)	955 359 113 01	also use: N 107 623 01 Hose		1	

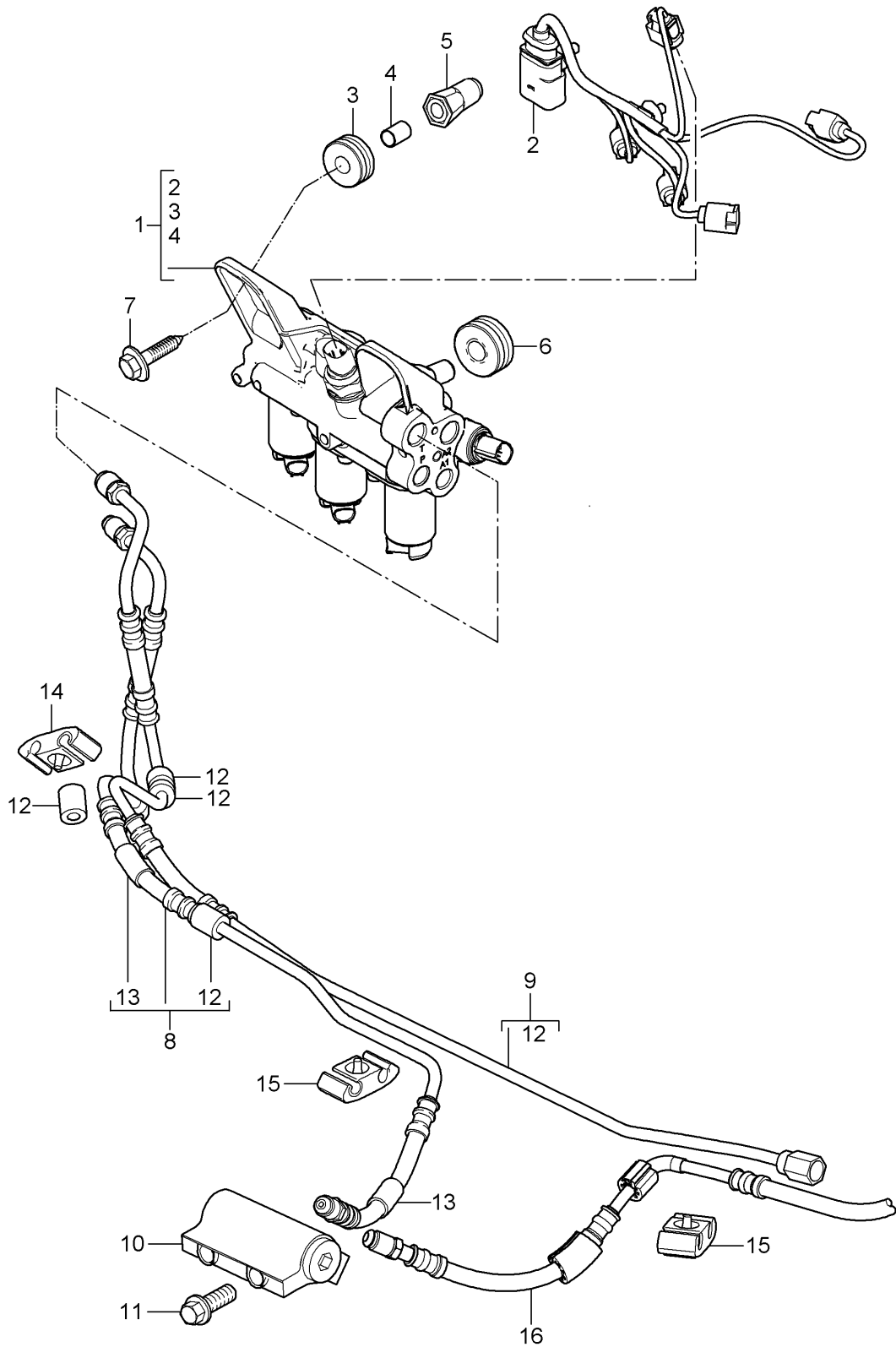
Model: 9PA108

Model life 2007>>2010

Pos	Part Number	Description	Remark	Qty	Model
14	955 359 114 00	Hose Discontinued part		1	
(14)	955 359 114 01	Hose		1	
15	N 107 225 01	Distance piece 10,5 MM for Hose		7	
		without:			
(15)	N 107 623 01	Shrink-fit hose toothed lock washer 11,5 MM for Hose		7	
		with:			
16	N 107 225 01	Shrink-fit hose Distance piece		1	
17	N 107 278 01	Distance piece		1	
18	955 359 510 00	Line holder		4	

Model: 9PA108

Model life 2007>>2010



Model: 9PA108 Model life 2007>>2010

Pos	Part Number	Description	Remark	Qty	Model
		Anti-roll bar Valve block Junction Pressure line			PR:OAW
1	955 359 030 00	Valve block		1	
(1)	955 359 030 01	No longer use the part here Valve block		1	
(1)	958 359 030 00	Discontinued part Valve block		1	
(1)	958 359 030 01	Discontinued part Valve block		1	
2	955 612 214 00	Wire set		1	
3	964 356 635 00	Rubber bush		2	
4	955 343 633 00	Bearing bush		2	
5	N 902 631 04	rivetted cap nut M 6		2	
6	964 356 635 00	Rubber bush		1	
7	N 106 998 01	hexagon head bolt (combi) M 6 X 35		2	
8	955 359 115 00	Pressure line D >> - MJ 2008		1	
(8)	955 359 115 01	Discontinued part Pressure line D - MJ 2009>>		1	
8	955 359 115 00	Pressure line without:		1	
		Shrink-fit hose also use: N 107 225 01			
		D >> - MJ 2008			
(8)	955 359 115 01	Discontinued part Pressure line without:		1	
		Shrink-fit hose also use: N 107 225 01			
(8)	955 359 115 02	Discontinued part Pressure line with:		1	
		Shrink-fit hose also use: N 107 623 01			
9	955 359 116 00	return line D >> - MJ 2008		1	
(9)	955 359 116 01	return line D - MJ 2009>>		1	
(9)	955 359 116 02	Discontinued part return line D - MJ 2009>>		1	
10	955 359 231 00	Junction To Use 955.359.231.01 955.359.125.02 955.359.125.12		1 1 1	PR:D5X,D5V, D5Z
(10)	955 359 231 01	D >> - MJ 2008 No longer use the part here Junction D - MJ 2009>>		1	
11	N 904 407 06	Hexagon bolt M 6 X 15		2	
12	N 107 224 01	Distance piece		4	
13	N 107 225 01	Distance piece 10,5 MM for Pressure line		2	

Model: 9PA108

Model life 2007>>2010

Pos	Part Number	Description	Remark	Qty	Model
(13)	N 107 623 01	without: Shrink-fit hose toothed lock washer 11,5 MM for Pressure line		2	
14	955 359 510 00	with: Shrink-fit hose Line holder		1	
15	955 359 513 00	Line holder		2	
16		Pressure line see illustration:	402-008	1	

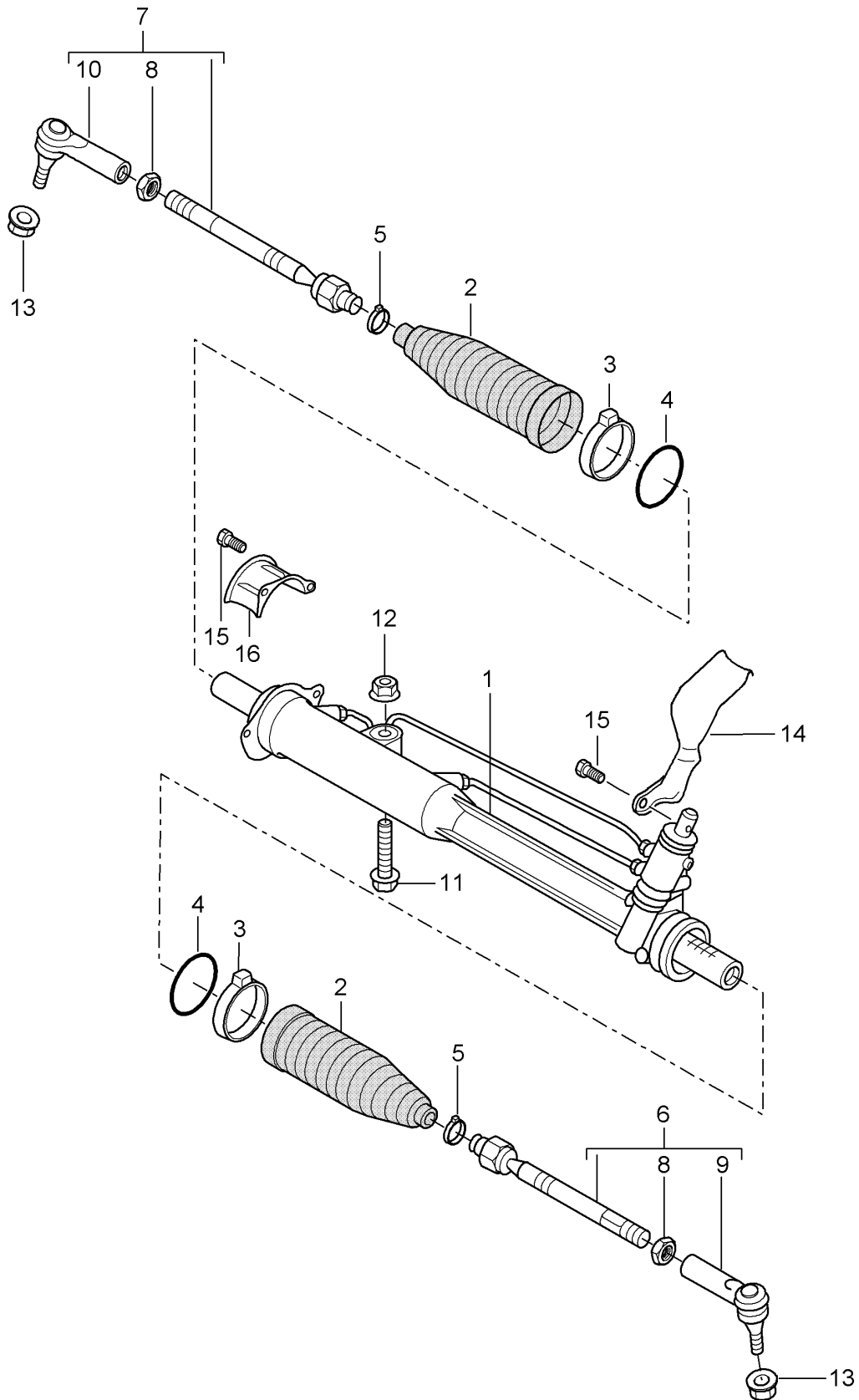
Model: 9PA108

Model life 2007>>2010

Pos	Part Number	Description	Remark	Qty	Model
		Anti-roll bar Pressure line return line Underbody			PR:OAW
1	955 359 117 00	return line Discontinued part		1	
1	955 359 117 01	return line		1	
2	955 347 569 00	Hose clamp 21 X 12		1	
3	955 359 509 00	Line holder		1	
4	955 359 119 00	Pressure line Discontinued part		1	
(4)	955 359 119 01	Pressure line		1	
5	955 359 120 00	return line Discontinued part		1	
(5)	955 359 120 01	return line		1	
6	N 107 225 01	Distance piece		1	
7	N 107 224 01	Distance piece		15	
8	955 359 510 00	Line holder		6	

Model: 9PA108

Model life 2007>>2010



Model: 9PA108 Model life 2007>>2010

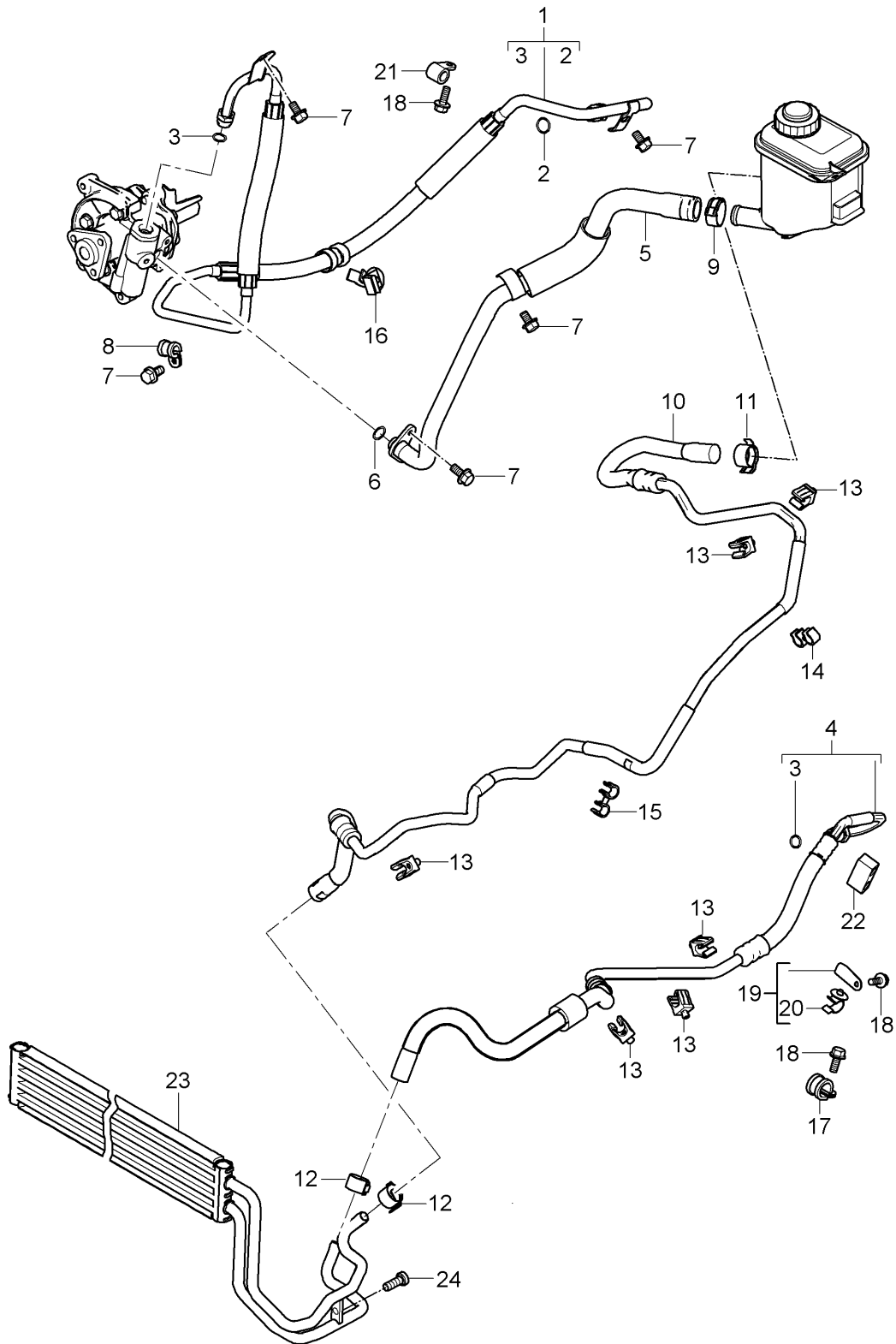
Pos	Part Number	Description	Remark	Qty	Model
1	955 347 011 14	Power steering Steering gear Steering parts Steering gear Power steering D >> - MJ 2008	lhd	1	PR:1N1,L0L
(1)	955 347 011 20	Steering gear Power steering D - MJ 2009>> Discontinued part	lhd	1	PR:1N1,L0L
(1)	955 347 011 21	Steering gear Power steering D - MJ 2009>>	lhd	1	PR:1N1,L0L
(1)	955 347 011 AX	Steering gear Power steering D - MJ 2009>>	lhd	1	PR:1N1,L0L
(1)	955 347 011 17	Steering gear for vehicles with servotronic D >> - MJ 2008	lhd	1	PR:1N3,L0L
(1)	955 347 011 30	Steering gear for vehicles with servotronic D - MJ 2009>>	lhd	1	PR:1N3,L0L
(1)	955 347 012 16	Steering gear Power steering D >> - MJ 2008	rhd	1	PR:1N1,L0R
(1)	955 347 012 20	Steering gear Power steering D - MJ 2009>> Discontinued part	rhd	1	PR:1N1,L0R
(1)	955 347 012 21	Steering gear Power steering D - MJ 2009>>	rhd	1	PR:1N1,L0R
(1)	955 347 012 AX	Steering gear Power steering D - MJ 2009>>	rhd	1	PR:1N1,L0R
(1)	955 347 012 19	Steering gear for vehicles with servotronic D >> - MJ 2008	rhd	1	PR:1N3,L0R
(1)	955 347 012 30	Steering gear for vehicles with servotronic D - MJ 2009>> Discontinued part	rhd	1	PR:1N3,L0R
(1)	955 347 012 31	Steering gear for vehicles with servotronic D - MJ 2009>>	rhd	1	PR:1N3,L0R
(1)	955 347 012 BX	Steering gear for vehicles with servotronic D - MJ 2009>>	rhd	1	PR:1N3,L0R
2	955 347 191 10	Bellows		2	
3	N 105 517 01	Ear crimp hose clamp		2	
4	N 901 809 02	O-ring		2	
5	955 347 645 00	Clamp		2	
6	955 347 031 22	Steering track rod with: ball joint D >> - MJ 2008	left	1	
(6)	955 347 031 22	Steering track rod with: ball joint D - MJ 2009>>	left	1	PR:D5X,D5V
(6)	955 347 031 22	Steering track rod with: ball joint	left	1	PR:D50

Model: 9PA108 Model life 2007>>2010

Pos	Part Number	Description	Remark	Qty	Model
(6)	955 347 031 50	D - MJ 2009>> Steering track rod with: ball joint	left	1	PR:E81
(6)	955 347 031 50	D >> - MJ 2008 Steering track rod with: ball joint	left	1	PR:D5Z
7	955 347 032 22	D - MJ 2009>> Steering track rod with: ball joint	right	1	
(7)	955 347 032 22	D >> - MJ 2008 Steering track rod with: ball joint	right	1	PR:D5X,D5V
(7)	955 347 032 22	D - MJ 2009>> Steering track rod with: ball joint	right	1	PR:D50
(7)	955 347 032 50	D - MJ 2009>> Steering track rod with: ball joint	right	1	PR:E81
(7)	955 347 032 50	D >> - MJ 2008 Steering track rod with: ball joint	right	1	PR:D5Z
8	N 011 164 18	D - MJ 2009>> Hexagon nut M 16 X 1,5		2	
(8)	N 011 164 18	D >> - MJ 2008 Hexagon nut M 16 X 1,5		2	PR:D5X,D5V
(8)	N 011 164 18	D - MJ 2009>> Hexagon nut M 16 X 1,5		2	PR:D50
(8)	955 347 341 00	D - MJ 2009>> Hexagon nut M 16 X 1,5		2	PR:E81
(8)	955 347 341 00	D >> - MJ 2008 Hexagon nut M 16 X 1,5		2	PR:D5Z
9	955 347 131 22	D - MJ 2009>> ball joint	left	1	
10	955 347 132 22	ball joint	right	1	
11	N 104 280 02	Hex collared bolt M 12 X 1,5 X 80		2	
12	N 104 029 04	Hexagon nut M 12 X 1,5		2	
13	N 909 771 01	Hexagon collar nut self-locking M 14 X 1,5		2	
14	955 347 201 01	Heat insulation	lhd	1	PR:D5V,D5Z, L0L
(14)	955 347 201 01	Heat insulation D - MJ 2009>>	lhd	1	PR:D50,L0L
(14)	955 347 202 10	Heat insulation	rhd	1	PR:L0R
15	N 106 532 01	Hex collared bolt M 6 X 16		4	
16	955 347 203 00	Heat insulation Bellows		1	

Model: 9PA108

Model life 2007>>2010



Model: 9PA108 Model life 2007>>2010

Pos	Part Number	Description	Remark	Qty	Model
		Power steering Lines Oil cooler Differing parts for -PDCC- see illustration:	403-010		PR:D5V,D5Z
1	955 347 451 20	Pressure line Steering gear Power-steering pump	lhd	1	PR:0AB,L0L
(1)	955 347 452 20	Pressure line Steering gear Power-steering pump	rhd	1	PR:0AB,L0R
2	955 347 542 00	O-ring 9,25 X 1,78		1	PR:0AB
3	955 347 543 00	O-ring 7,65 X 1,63		1	PR:0AB
4	955 347 449 00	return line Steering gear Oil cooler	lhd	1	PR:L0L
(4)	955 347 450 10	return line Steering gear Oil cooler	rhd	1	PR:L0R
5	955 347 442 10	suction line oil container Power-steering pump		1	PR:0AB
6	N 909 816 01	O-ring 15,8 X 2,4		1	PR:0AB
7	N 101 563 07	Hex collared bolt M 6 X 12		6	PR:0AB
8	N 020 651 5	Clamp 10 X 15		1	
(8)	N 020 651 7	D >> - MJ 2008 Clamp 10 X 15		1	
9	N 906 870 01	D - MJ 2009>> Spring band clamp B 27 X 12		1	
10	955 347 439 10	return line oil container Oil cooler		1	
11	955 347 569 00	Hose clamp 21 X 12		1	
12	N 909 264 01	Spring band clamp B 19 X 12		2	
13	N 909 435 01	Hose bracket 12 MM		6	
14	955 347 575 00	Line holder return line Refrigerant line		1	
15	955 347 577 00	Line holder return line Refrigerant line		1	
16	955 347 576 00	bracket for pressure line Front axle differential	lhd	1	PR:0AB,L0L
(16)	N 106 367 01	Hose bracket Pressure line Front axle differential	rhd	1	PR:0AB,L0R
17	N 020 640 5	Clamp 18 X 15	rhd	1	PR:L0R
18	N 904 407 06	Hexagon bolt M 6 X 15	rhd	3	PR:L0R
19	955 347 423 00	Bracket	rhd	1	PR:L0R

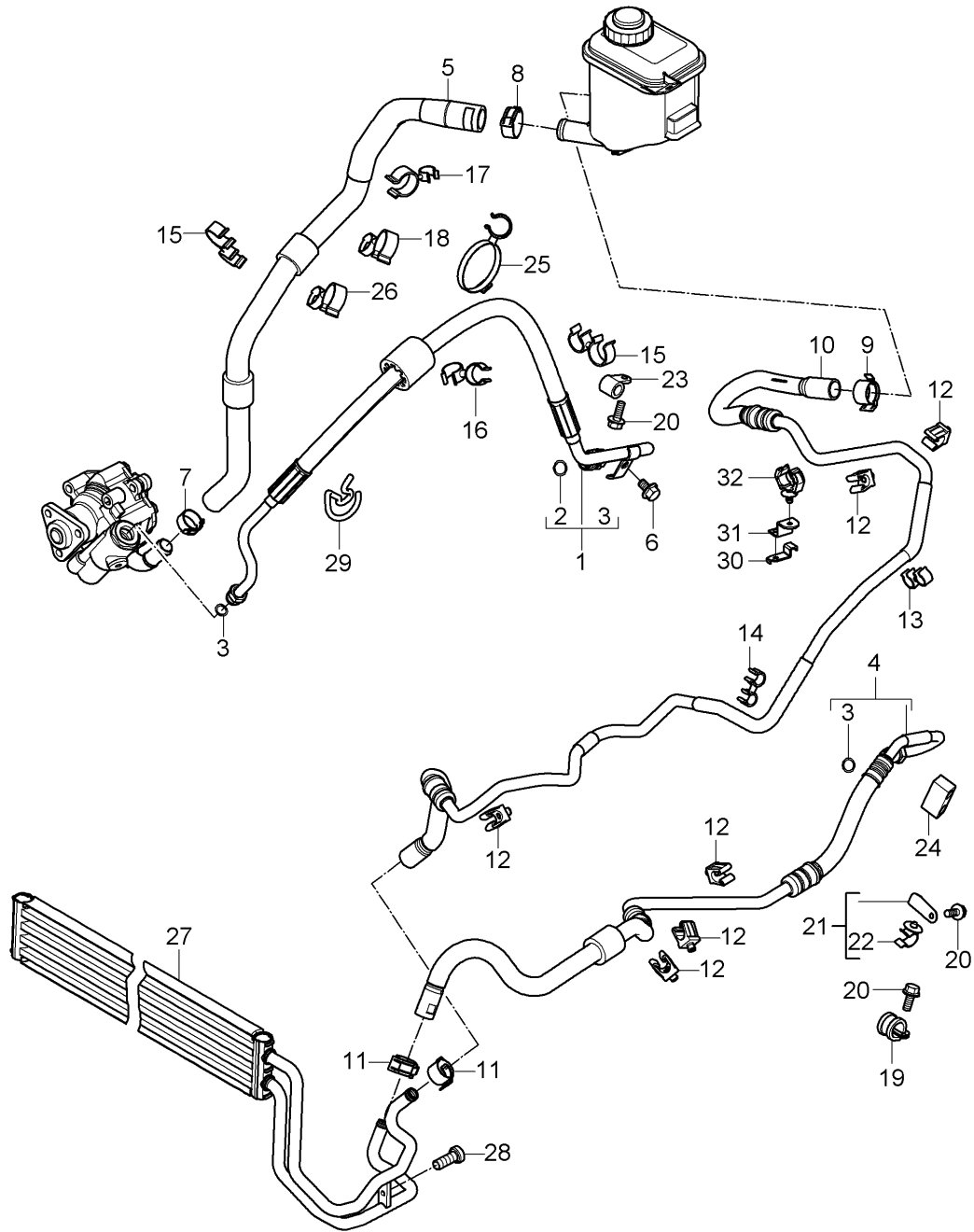
Model: 9PA108

Model life 2007>>2010

Pos	Part Number	Description	Remark	Qty	Model
20	N 106 491 01	Hose bracket	rhd	1	PR:L0R
21	N 020 601 4	Clamp 12 X 15	rhd	1	PR:L0R
(21)	N 020 601 5	D >> - MJ 2008 Clamp 12 X 15	rhd	1	PR:L0R
22	N 107 197 01	D - MJ 2009>> Line holder C 12 X 12	rhd	1	PR:L0R
23	955 347 069 03	Oil cooler Power steering		1	
24	N 104 514 04	Hexagon socket flat head bolt M 6 X 16		1	

Model: 9PA108

Model life 2007>>2010



Model: 9PA108 Model life 2007>>2010

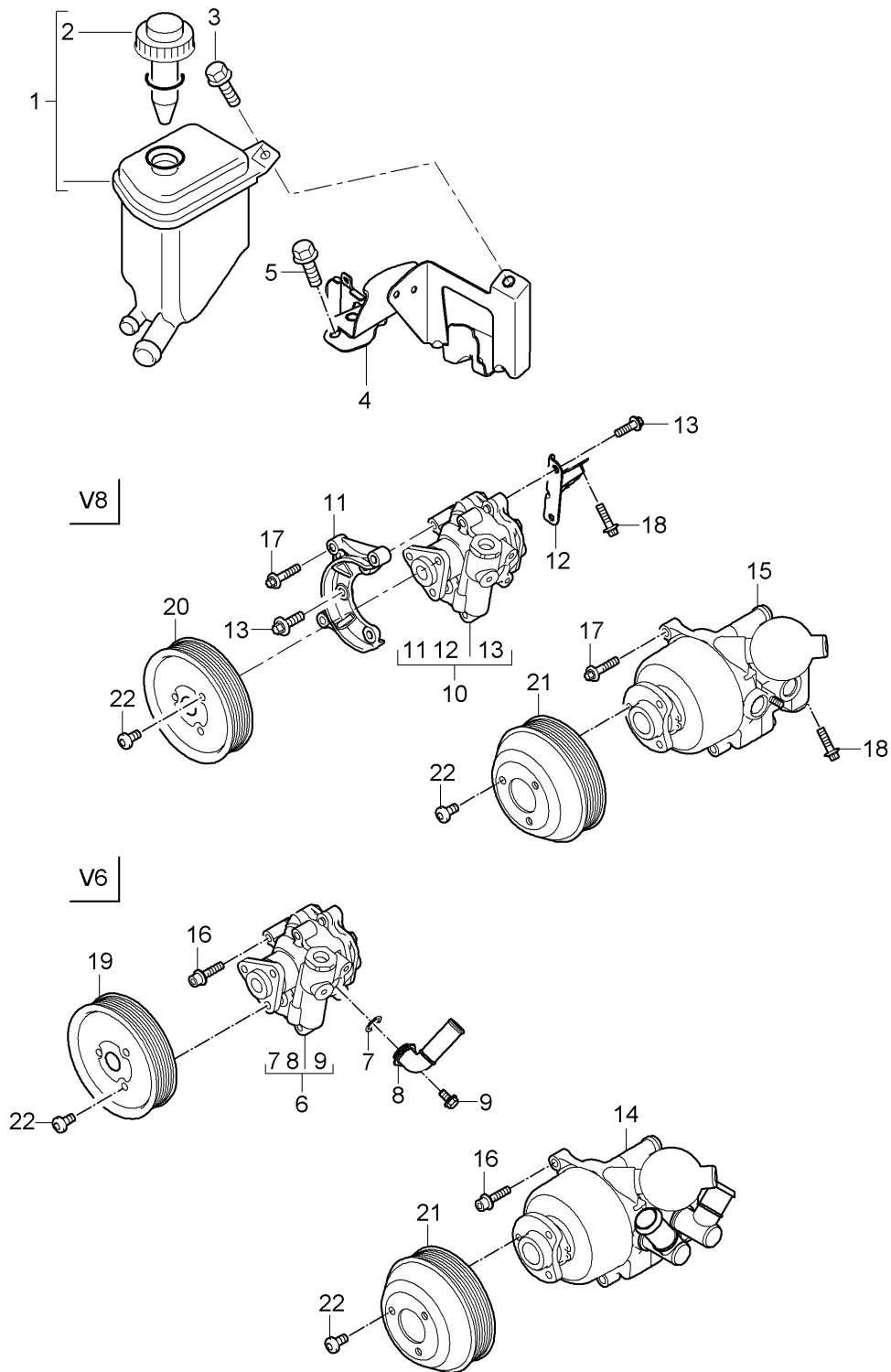
Pos	Part Number	Description	Remark	Qty	Model
		Power steering Lines Oil cooler Differing parts for -PDCC-			PR:D5X,D50
1	955 347 451 12	see illustration: Pressure line	403-015 lhd	1	PR:0AB,L0L
(1)	955 347 452 30	Steering gear Power-steering pump Pressure line	rhd	1	PR:0AB,L0R
(1)	955 347 451 70	Steering gear Power-steering pump Pressure line	lhd	1	PR:D50,0AB, L0L
(1)	955 347 452 70	Steering gear Power-steering pump Pressure line	rhd	1	PR:D50,0AB, L0R
2	955 347 542 00	O-ring 9,25 X 1,78		1	PR:0AB
3	955 347 543 00	O-ring 7,65 X 1,63		1	PR:0AB
(3)	WHT 002 666	seal ring 9,8 X 2,5		1	PR:D50,0AB
-	N 107 188 01	bolt,hex.hd.with shoul.(combi) M 6 X 16 Mount Pressure line Steering gear Power-steering pump		2	PR:D50,0AB
4	955 347 449 00	return line Steering gear Oil cooler	lhd	1	PR:L0L
(4)	955 347 449 10	return line Steering gear Oil cooler	lhd	1	PR:D50,0AB, L0L
(4)	955 347 450 10	return line Steering gear Oil cooler	rhd	1	PR:L0R
(4)	955 347 450 20	return line Steering gear Oil cooler	rhd	1	PR:D50,0AB, L0R
5	955 347 443 03	Intake hose oil container Power-steering pump		1	PR:0AB
(5)	955 347 443 20	Intake hose oil container Power-steering pump		1	PR:D50,0AB
6	N 101 563 07	Hex collared bolt M 6 X 12	lhd	1	PR:0AB,L0L
7	N 906 869 01	Spring band clamp B 23 X 12		1	PR:0AB
8	N 906 870 01	Spring band clamp B 27 X 12		1	
9	955 347 569 00	Hose clamp 21 X 12		1	
(9)	N 909 264 01	Spring band clamp 19 X 12		1	PR:D50,0AB
10	955 347 439 10	return line oil container Oil cooler		1	
(10)	955 347 439 20	return line		1	PR:D50,0AB

Model: 9PA108 Model life 2007>>2010

Pos	Part Number	Description	Remark	Qty	Model
11	N 909 264 01	oil container Oil cooler		2	
12	N 909 435 01	Spring band clamp B 19 X 12		6	
13	955 347 575 00	Hose bracket 12 MM		1	PR:9AH
14	955 347 577 00	Line holder return line Refrigerant line		1	PR:9AH
15	N 104 421 01	Bracket	lhd	2	PR:0AB,L0L
(15)	N 909 435 01	Hose bracket 12 MM	rhd	1	PR:D50,0AB, L0R
16	N 104 711 01	Bracket	lhd	1	PR:0AB,L0L
17	N 102 752 01	Retainer, swivel		1	PR:0AB,9AB, 9AD
18	N 106 816 01	Hose bracket		1	PR:9AH
19	N 020 640 5	Clamp 18 X 15	rhd	1	PR:L0R
(19)	N 020 651 7	Clamp 10 X 15	rhd	1	PR:D50,0AB, L0R
20	N 904 407 06	Hexagon bolt M 6 X 15	rhd	3	PR:L0R
21	955 347 423 00	Bracket	rhd	1	PR:L0R
22	N 106 491 01	Hose bracket	rhd	1	PR:L0R
22	N 106 368 01	Hose bracket	rhd	1	PR:D50,0AB, L0R
23	N 020 601 4	Clamp 12 X 15	rhd	1	PR:L0R
(23)	N 020 601 5	D >> - MJ 2008 Clamp 12 X 15 D - MJ 2009>>	rhd	1	PR:L0R
24	N 107 197 01	Line holder C 12 X 12	rhd	1	PR:L0R
25	N 106 367 01	Hose bracket	rhd	1	PR:L0R
26	N 106 842 01	Line holder	rhd	1	PR:L0R
27	955 347 069 03	Oil cooler		1	PR:D5X
(27)	955 347 069 10	Power steering Oil cooler		1	PR:D50
28	N 104 514 04	Power steering Hexagon socket flat head bolt M 6 X 16		1	
29	955 347 526 00	bracket for pressure line		1	PR:D50,0AB
30	955 106 479 00	Bracket		1	PR:D50,0AB
31	955 347 464 00	Bracket		1	PR:D50,0AB
32	955 347 687 00	Line holder		1	PR:D50,0AB

Model: 9PA108

Model life 2007>>2010



Model: 9PA108

Model life 2007>>2010

Pos	Part Number	Description	Remark	Qty	Model
		Power steering Power-steering pump Tandem pump oil container			PR:0AB,0AW
1	955 314 015 20	oil container		1	PR:-D50
(1)	955 314 015 30	Power steering oil container		1	PR:D50
2	955 314 145 00	Power steering Threaded cover		1	
3	N 101 563 10	oil container Hex collared bolt M 6 X 12		1	
4	955 314 210 20	Bracket for fluid reservoir		1	
5	N 101 563 07	Hex collared bolt M 6 X 12		3	
6	955 314 050 04	Power-steering pump D >> - MJ 2008		1	PR:D5X,0AB
(6)	955 314 050 05	Power-steering pump D - MJ 2009>>		1	PR:D5X,0AB
(6)	955 314 050 20	Power-steering pump		1	PR:D50
7	N 909 816 01	O-ring 15,8 X 2,4		1	PR:D5X,0AB
8	955 314 157 00	Intake connection		1	PR:D5X,0AB
9	N 101 563 07	Hex collared bolt M 6 X 12		1	PR:D5X,0AB
10	955 314 050 10	Power-steering pump D >> - MJ 2008		1	PR:D5V,D5Z,
(10)	955 314 050 11	Power-steering pump D - MJ 2009>>		1	PR:D5V,D5Z,
11	955 314 431 00	Adapter		1	PR:D5V,D5Z, 0AB
12	955 314 363 00	Bracket D >> - MJ 2008		1	PR:D5V,D5Z,
12	955 314 363 01	Discontinued part Bracket D >> - MJ 2008		1	PR:D5V,D5Z, 0AB
(12)	955 314 363 01	Bracket D - MJ 2009>>		1	PR:D5V,D5Z, 0AB
13	900 385 098 01	Torx screw BM 8 X 25		5	PR:D5V,D5Z, 0AB
14	955 314 022 00	Tandem pump Discontinued part		1	PR:D5X,0AW
(14)	955 314 022 01	Tandem pump		1	PR:D5X,0AW
15	955 314 022 11	Tandem pump F >> 9P-8LA53 012 F >> 9P-8LA73 883 F >> 9P-8LA96 526		1	
(15)	955 314 022 12	Tandem pump F 9P-8LA53 013>> F 9P-8LA73 884>> F 9P-8LA96 527>>		1	PR:D5V,D5Z, 0AW
16	N 106 730 01	Socket head bolt with inner multipoint head (Kombi) M 8 X 40		3	PR:D5X
(16)	N 911 287 01	Socket head bolt with inner multipoint head M 8 X 32		3	PR:D50
17	900 385 042 01	Torx screw BM 8 X 35		3	PR:D5V,D5Z

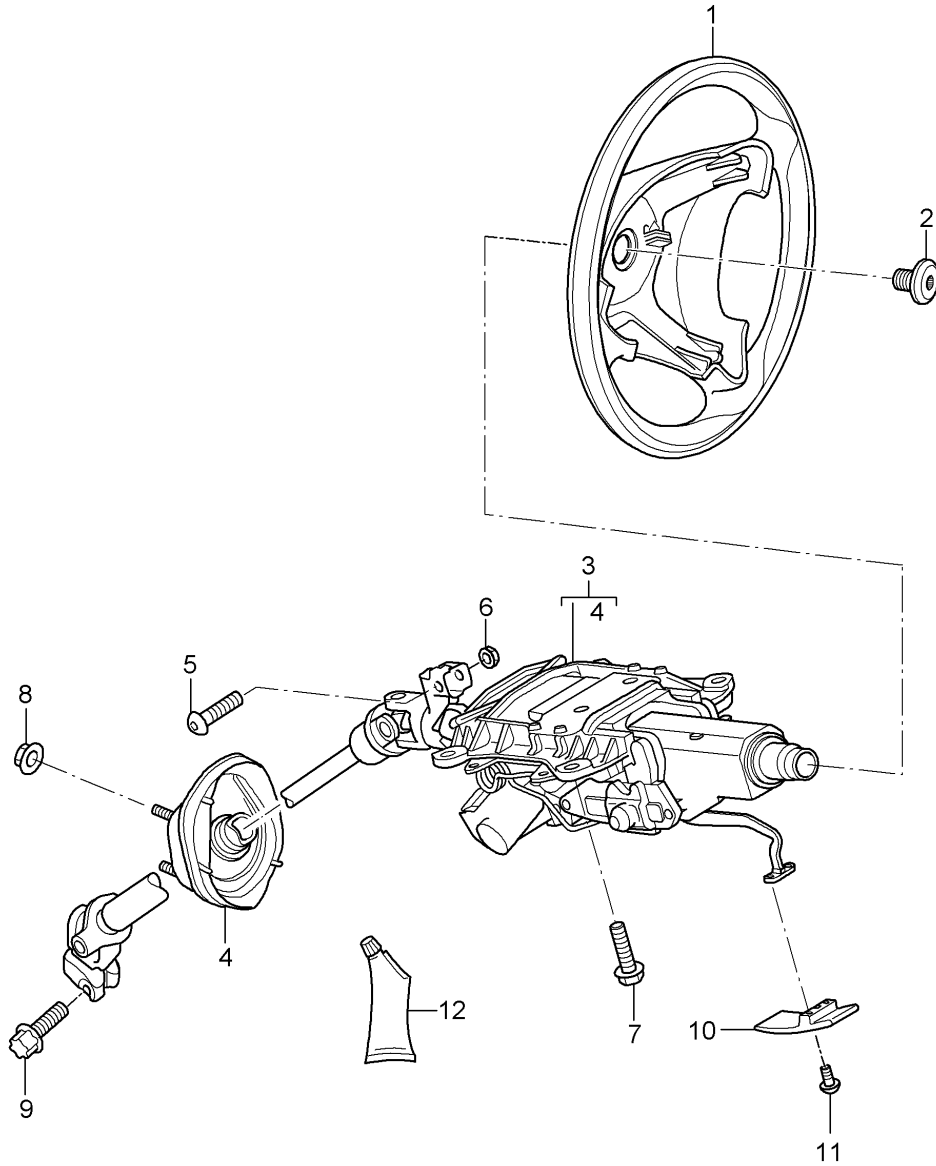
Model: 9PA108

Model life 2007>>2010

Pos	Part Number	Description	Remark	Qty	Model
18	900 385 001 01	Torx screw BM 8 X 20		1	PR:D5V,D5Z
19	955 147 219 00	pulley		1	PR:D5X,0AB
(19)	955 147 219 10	pulley		1	PR:D50
20	948 147 019 01	pulley		1	PR:D5V,D5Z, 0AB
21	955 147 219 20	pulley		1	PR:0AW
22	999 073 104 01	Torx screw M 8 X 16		3	PR:-D50
(22)	N 910 522 01	Hexagon socket head bolt M 8 X 12		3	PR:D50
-	000 043 206 56	Pentosin CHF 202 1 LITER		X	

Model: 9PA108

Model life 2007>>2010



Model: 9PA108 Model life 2007>>2010

Pos	Part Number	Description	Remark	Qty	Model
1	955 347 804 01	Steering wheels Steering column Intermediate steering shaft steering wheel (leather) with airbag		1	PR:2PM
	955 347 804 01 5Z3	Black			
	955 347 804 01 6P1	Stone grey			
	955 347 804 01 6Q2	Havanna			
	955 347 804 01 4P8	Sand beige			
(1)	955 347 804 90	steering wheel (leather) with airbag D - MJ 2008>> - MJ 2008		1	PR:2PM,E0W
	955 347 804 90 5Z3	Black			
	955 347 804 90 6P1	Stone grey			
	955 347 804 90 6Q2	Havanna			
	955 347 804 90 4P8	Sand beige			
(1)	955 347 804 90	steering wheel (leather) with airbag D - MJ 2009>>		1	PR:1MW
	955 347 804 90 5Z3	Black			
	955 347 804 90 6P1	Stone grey			
	955 347 804 90 6Q2	Havanna			
	955 347 804 90 4P8	Sand beige			
(1)	955 347 804 11	steering wheel (leather) with airbag (heated)		1	PR:2PH
	955 347 804 11 5Z3	Black			
	955 347 804 11 6P1	Stone grey			
	955 347 804 11 6Q2	Havanna			
	955 347 804 11 4P8	Sand beige			
(1)	955 347 804 70	steering wheel (leather) with airbag (heated)		1	PR:2PH,E0W
	955 347 804 70 5Z3	Black			
	955 347 804 70 6P1	Stone grey			
	955 347 804 70 6Q2	Havanna			
	955 347 804 70 4P8	Sand beige			
(1)	955 347 804 70	steering wheel (leather) with airbag (heated)		1	PR:1MW
	955 347 804 70 5Z3	Black			
	955 347 804 70 6P1	Stone grey			
	955 347 804 70 6Q2	Havanna			
	955 347 804 70 4P8	Sand beige			
(1)	955 347 805 00	steering wheel (leather) with airbag two-colour (heated)		1	PR:1MD
	955 347 805 00 ZMA	Black/Havanna			
	955 347 805 00 ZMB	Black/Steel Grey			
(1)	955 347 804 21	steering wheel (leather) with airbag Multi-function		1	PR:2PM,4LB, 4LC
	955 347 804 21 5Z3	Black			
	955 347 804 21 6P1	Stone grey			
	955 347 804 21 6Q2	Havanna			
	955 347 804 21 4P8	Sand beige			
(1)	955 347 804 21	steering wheel (leather) with airbag Multi-function		1	PR:2PM,4LC
	955 347 804 21 5Z3	Black			
	955 347 804 21 6P1	Stone grey			
	955 347 804 21 6Q2	Havanna			

Model: 9PA108 Model life 2007>>2010

Pos	Part Number	Description	Remark	Qty	Model
(1)	955 347 804 21 4P8 955 347 804 95	Sand beige steering wheel (leather) with airbag Multi-function		1	PR: 2PM, 4LB, 4LC, E0W
	955 347 804 95 5Z3	Black			
	955 347 804 95 6P1	Stone grey			
	955 347 804 95 6Q2	Havanna			
(1)	955 347 804 95 4P8 955 347 804 95	Sand beige steering wheel (leather) with airbag Multi-function		1	PR: 1MV, 4LC
	955 347 804 95 5Z3	Black			
	955 347 804 95 6P1	Stone grey			
	955 347 804 95 6Q2	Havanna			
(1)	955 347 804 95 4P8 955 347 805 10	Sand beige steering wheel (leather) with airbag two-colour (heated) Multi-function		1	PR: 1MD, 4LC
	955 347 805 10 ZMA	Black/Havanna			
	955 347 805 10 ZMB	Black/Steel Grey			
(1)	955 347 804 31	steering wheel (leather) with airbag (heated) Multi-function		1	PR: 2PH, 4LB, 4LC
	955 347 804 31 5Z3	Black			
	955 347 804 31 6P1	Stone grey			
	955 347 804 31 6Q2	Havanna			
(1)	955 347 804 31 4P8 955 347 804 31	Sand beige steering wheel (leather) with airbag (heated) Multi-function		1	PR: 2PH, 4LC
	955 347 804 31 5Z3	Black			
	955 347 804 31 6P1	Stone grey			
	955 347 804 31 6Q2	Havanna			
(1)	955 347 804 31 4P8 955 347 804 80	Sand beige steering wheel (leather) with airbag (heated) Multi-function Discontinued part		1	PR: 2PH, 4LB, 4LC, E0W
	955 347 804 80 5Z3	Black			
	955 347 804 80 6P1	Stone grey			
	955 347 804 80 6Q2	Havanna			
(1)	955 347 804 80 4P8 955 347 804 81	Sand beige steering wheel (leather) with airbag (heated) Multi-function		1	PR: 2PH, 4LB, 4LC, E0W
	955 347 804 81 5Z3	Black			
	955 347 804 81 6P1	Stone grey			
	955 347 804 81 6Q2	Havanna			
(1)	955 347 804 81 4P8 955 347 804 80	Sand beige steering wheel (leather) with airbag (heated) Multi-function Discontinued part		1	PR: 1MW, 4LC
	955 347 804 80 5Z3	Black			
	955 347 804 80 6P1	Stone grey			
	955 347 804 80 6Q2	Havanna			

Model: 9PA108 Model life 2007>>2010

Pos	Part Number	Description	Remark	Qty	Model
(1)	955 347 804 80 4P8 955 347 804 81	Sand beige steering wheel (leather) with airbag (heated) Multi-function		1	PR:1MW,4LC
	955 347 804 81 5Z3	Black			
	955 347 804 81 6P1	Stone grey			
	955 347 804 81 6Q2	Havanna			
(1)	955 347 804 81 4P8 955 347 804 41	Sand beige steering wheel Rootwood Dark Multi-function D >> - MJ 2008		1	PR:1XJ,4LB, 4LC
	955 347 804 41 PBA	Black			
	955 347 804 41 PBB	Stone grey			
	955 347 804 41 PBD	Havanna			
(1)	955 347 804 41 TXB 955 347 804 41	Sand beige steering wheel Rootwood Dark Multi-function D - MJ 2009>>		1	PR:1XJ,4LC
	955 347 804 41 PBA	Black			
	955 347 804 41 PBB	Stone grey			
	955 347 804 41 PBD	Havanna			
(1)	955 347 804 41 TXB 955 347 804 51	Sand beige steering wheel (leather) Olive grain Light Multi-function D >> - MJ 2008 Discontinued part		1	PR:1XK,4LB, 4LC
	955 347 804 51 PBE	Olive wood/black			
	955 347 804 51 PBF	Olive wood/stone grey			
	955 347 804 51 PBH	Olive wood/havanna			
(1)	955 347 804 51 TXA 955 347 804 51	Olive wood/sand beige steering wheel (leather) Olive grain Light Multi-function D - MJ 2009>> Discontinued part		1	PR:1XK,4LC
	955 347 804 51 PBE	Olive wood/black			
	955 347 804 51 PBF	Olive wood/stone grey			
	955 347 804 51 PBH	Olive wood/havanna			
(1)	955 347 804 51 TXA 955 347 805 22	Olive wood/sand beige multifunction steering wheel Alcantara (heated)		1	PR:2PR,4LC, 6FI
(1)	955 347 805 22 5E6 955 347 805 20	Alcantara multifunction steering wheel Alcantara		1	PR:2PW,4LC, 6FI
(1)	955 347 805 20 5E6 955 347 805 23	Alcantara steering wheel Alcantara (heated)		1	PR:2PR,4LA, 6FI
(1)	955 347 805 23 5E6 955 347 805 21	Alcantara steering wheel Alcantara		1	PR:2PW,4LA, 6FI
(1)	955 347 805 21 5E6 955 347 805 26	Alcantara multifunction steering wheel Alcantara		1	PR:2PR,4LC, 6FM,6FP

Model: 9PA108 Model life 2007>>2010

Pos	Part Number	Description	Remark	Qty	Model
(1)	955 347 805 26 5E6 955 347 805 24	(heated) Alcantara multifunction steering wheel		1	PR:2PW,4LC, 6FM,6FP
(1)	955 347 805 24 5E6 955 347 805 27	Alcantara steering wheel		1	PR:2PR,4LA, 6FM,6FP
(1)	955 347 805 27 5E6 955 347 805 25	Alcantara steering wheel		1	PR:2PW,4LA, 6FM,6FP
2	955 347 805 25 5E6 N 910 207 01	Alcantara Screw with int. serrations M 18 X 1,5 X 26		1	
3	955 347 007 08	Complete steering column	lhd	1	PR:2C5,L0L
		with: Intermediate steering shaft D >> - MJ 2008 Discontinued part			
(3)	955 347 007 09	Complete steering column	lhd	1	PR:D5X,D5V, D5Z,2C5,L0L
		with: Intermediate steering shaft D - MJ 2009>>			
(3)	955 347 007 09	Complete steering column	lhd	1	PR:D50,2C5, L0L
		with: Intermediate steering shaft D - MJ 2009>>			
(3)	955 347 007 17	Complete steering column	lhd	1	PR:2C4,L0L
		with: Intermediate steering shaft D >> - MJ 2008 Discontinued part			
(3)	955 347 007 18	Complete steering column	lhd	1	PR:D5X,D5V, D5Z,2C4,L0L
		with: Intermediate steering shaft D - MJ 2009>> Discontinued part			
(3)	955 347 007 19	Complete steering column	lhd	1	PR:D5X,D5V, D5Z,2C4,L0L
		with: Intermediate steering shaft D - MJ 2009>> Discontinued part			
(3)	955 347 007 20	Complete steering column	lhd	1	PR:D5X,D5V, D5Z,2C4,L0L
		with: Intermediate steering shaft D - MJ 2009>>			
(3)	955 347 007 18	Complete steering column	lhd	1	PR:D50,2C4, L0L
		with: Intermediate steering shaft D - MJ 2009>> Discontinued part			
(3)	955 347 007 19	Complete steering column	lhd	1	PR:D50,2C4, L0L
		with: Intermediate steering shaft Vehicle Ident. No. Indicate			

Model: 9PA108 Model life 2007>>2010

Pos	Part Number	Description	Remark	Qty	Model
(3)	955 347 007 20	D - MJ 2009>> Discontinued part Complete steering column with: Intermediate steering shaft Vehicle Ident. No. Indicate	lhd	1	PR:D50,2C4, L0L
(3)	955 347 008 08	D - MJ 2009>> Complete steering column with: Intermediate steering shaft	rhd	1	PR:2C5,L0R
(3)	955 347 008 09	D >> - MJ 2008 Discontinued part Complete steering column with: Intermediate steering shaft	rhd	1	PR:D5X,D5V, D5Z,2C5,L0R
(3)	955 347 008 09	D - MJ 2009>> Complete steering column with: Intermediate steering shaft	rhd	1	PR:D50,2C5, L0R
(3)	955 347 008 17	D - MJ 2009>> Complete steering column with: Intermediate steering shaft	rhd	1	PR:2C4,L0R
(3)	955 347 008 18	D >> - MJ 2008 Discontinued part Complete steering column with: Intermediate steering shaft	rhd	1	PR:D5X,D5V, D5Z,2C4,L0R
(3)	955 347 008 19	D - MJ 2009>> Discontinued part Complete steering column with: Intermediate steering shaft	rhd	1	PR:D5X,D5V, D5Z,2C4,L0R
(3)	955 347 008 20	D - MJ 2009>> Discontinued part Complete steering column with: Intermediate steering shaft	rhd	1	PR:D5X,D5V, D5Z,2C4,L0R
(3)	955 347 008 18	D - MJ 2009>> Complete steering column with: Intermediate steering shaft	rhd	1	PR:D50,2C4, L0R
(3)	955 347 008 19	D - MJ 2009>> Discontinued part Complete steering column with: Intermediate steering shaft	rhd	1	PR:D50,2C4, L0R
(3)	955 347 008 20	D - MJ 2009>> Discontinued part Complete steering column with: Intermediate steering shaft	rhd	1	PR:D50,2C4, L0R

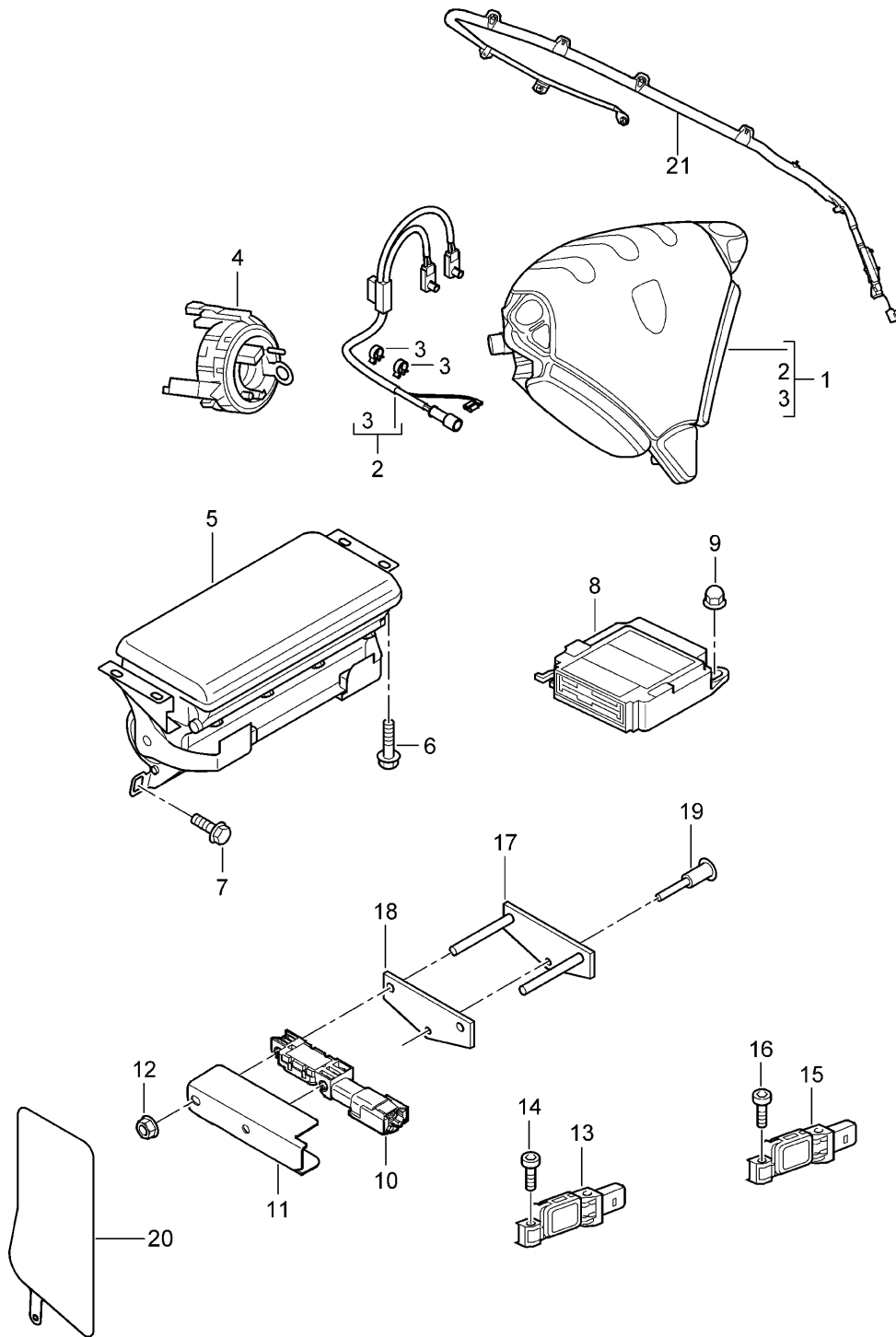
Model: 9PA108

Model life 2007>>2010

Pos	Part Number	Description	Remark	Qty	Model
4	955 347 037 03	Sealing sleeve		1	
5	N 909 890 02	Oval head locating bolt with multi-point socket head M 8 X 10 X 45		1	
6	N 023 003 13	Hexagon collar nut self-locking M 8		1	
7	N 906 823 02	Hex collared bolt M 8 X 28		4	
8	N 908 877 02	Hexagon flange nut, self-locking M 6		3	
9	WHT 002 446	Torx screw M 10 X 35		1	
10	955 347 234 20	handle		1	PR:2C5
11	N 104 066 02	Oval hexagon socket head bolt M 5 X 8		2	
12	000 043 205 44	Grease 1 tube 10 GR.		X	

Model: 9PA108

Model life 2007>>2010



Model: 9PA108 Model life 2007>>2010

Pos	Part Number	Description	Remark	Qty	Model
1	955 803 074 02	Airbag Airbag unit plastic D >> - MJ 2008 Discontinued part		1	PR: 2PM, G0L, 4N1
	955 803 074 02 2Y7	Black			
	955 803 074 02 2Z1	Stone grey			
	955 803 074 02 3U9	Havanna			
(1)	955 803 074 03	Airbag unit plastic D >> - MJ 2008		1	PR: 2PM, G0L, 4N1
	955 803 074 03 2Y7	Black			
	955 803 074 03 2Z1	Stone grey			
	955 803 074 03 3U9	Havanna			
(1)	955 803 074 02	Airbag unit plastic D - MJ 2009>> Discontinued part		1	PR: 1MV, 2PM, G0L, 4N1
	955 803 074 02 2Y7	Black			
	955 803 074 02 2Z1	Stone grey			
	955 803 074 02 3U9	Havanna			
(1)	955 803 074 03	Airbag unit plastic D - MJ 2009>>		1	PR: 1MV, 2PM, G0L, 4N1
	955 803 074 03 2Y7	Black			
	955 803 074 03 2Z1	Stone grey			
	955 803 074 03 3U9	Havanna			
(1)	955 803 074 02	Airbag unit plastic D - MJ 2009>>		1	PR: 2PW, G0L, 4N1
	955 803 074 02 2Y7	Black			
(1)	955 803 074 12	Airbag unit plastic D >> - MJ 2008		1	PR: 2PM, G0R, 4N1
	955 803 074 12 2Y7	Black			
	955 803 074 12 2Z1	Stone grey			
	955 803 074 12 3U9	Havanna			
(1)	955 803 074 12	Airbag unit plastic D - MJ 2009>>		1	PR: 1MV, 2PM, G0R, 4N1
	955 803 074 12 2Y7	Black			
	955 803 074 12 2Z1	Stone grey			
	955 803 074 12 3U9	Havanna			
(1)	955 803 074 12	Airbag unit plastic D - MJ 2009>>		1	PR: 2PW, G0R, 4N1
	955 803 074 12 2Y7	Black			
(1)	955 803 074 22	Airbag unit plastic D >> - MJ 2008 Discontinued part		1	PR: 2PH, G0L, 4N1
	955 803 074 22 2Y7	Black			
	955 803 074 22 2Z1	Stone grey			
	955 803 074 22 3U9	Havanna			
(1)	955 803 074 23	Airbag unit plastic D >> - MJ 2008		1	PR: 2PH, G0L, 4N1
	955 803 074 23 2Y7	Black			
	955 803 074 23 2Z1	Stone grey			
	955 803 074 23 3U9	Havanna			
(1)	955 803 074 22	Airbag unit plastic D - MJ 2009>>		1	PR: 1MW, 2PH, G0L, 4N1

Model: 9PA108 Model life 2007>>2010

Pos	Part Number	Description	Remark	Qty	Model
		Discontinued part			
	955 803 074 22 2Y7	Black			
	955 803 074 22 2Z1	Stone grey			
	955 803 074 22 3U9	Havanna			
(1)	955 803 074 23	Airbag unit plastic D - MJ 2009>>		1	PR: 1MW, 2PH, G0L, 4N1
	955 803 074 23 2Y7	Black			
	955 803 074 23 2Z1	Stone grey			
	955 803 074 23 3U9	Havanna			
(1)	955 803 074 22	Airbag unit plastic D - MJ 2009>>		1	PR: 2PR, G0L, 4N1
	955 803 074 22 2Y7	Discontinued part Black			
(1)	955 803 074 23	Airbag unit plastic D - MJ 2009>>		1	PR: 2PR, G0L, 4N1
	955 803 074 23 2Y7	Black			
(1)	955 803 074 32	Airbag unit plastic D >> - MJ 2008		1	PR: 2PH, G0R, 4N1
	955 803 074 32 2Y7	Black			
	955 803 074 32 2Z1	Stone grey			
	955 803 074 32 3U9	Havanna			
(1)	955 803 074 32	Airbag unit plastic D - MJ 2009>>		1	PR: 1MW, 2PH, G0R, 4N1
	955 803 074 32 2Y7	Black			
	955 803 074 32 2Z1	Stone grey			
	955 803 074 32 3U9	Havanna			
(1)	955 803 074 32	Airbag unit plastic D - MJ 2009>>		1	PR: 2PR, G0R, 4N1
	955 803 074 32 2Y7	Black			
(1)	955 803 075 02	Airbag unit Leather D >> - MJ 2008		1	PR: 2PM, G0L, 4N8
	955 803 075 02 5Z3	Black			
	955 803 075 02 6P1	Discontinued part Stone grey			
	955 803 075 02 6Q2	Discontinued part Havanna			
	955 803 075 02 4P8	Discontinued part Sand beige			
(1)	955 803 075 03	Airbag unit Leather D >> - MJ 2008		1	PR: 2PM, G0L, 4N8
	955 803 075 03 5Z3	Black			
	955 803 075 03 6P1	Stone grey			
	955 803 075 03 6Q2	Havanna			
(1)	955 803 075 02	Airbag unit Leather D - MJ 2009>>		1	PR: 1MV, 2PM, G0L, 4N8
	955 803 075 02 5Z3	Black			
	955 803 075 02 6P1	Discontinued part Stone grey			
	955 803 075 02 6Q2	Discontinued part Havanna			
	955 803 075 02 4P8	Discontinued part Sand beige			
(1)	955 803 075 03	Airbag unit Leather		1	PR: 1MV, 2PM, G0L, 4N8

Model: 9PA108 Model life 2007>>2010

Pos	Part Number	Description	Remark	Qty	Model
		D - MJ 2009>>			
	955 803 075 03 5Z3	Black			
	955 803 075 03 6P1	Stone grey			
	955 803 075 03 6Q2	Havanna			
(1)	955 803 075 02	Airbag unit Leather		1	PR: 2PW, G0L, 4N8
		D - MJ 2009>>			
	955 803 075 02 5Z3	Black			
(1)	955 803 075 12	Airbag unit Leather		1	PR: 2PM, G0R, 4N8
		D >> - MJ 2008			
		Discontinued part			
	955 803 075 12 5Z3	Black			
	955 803 075 12 6P1	Stone grey			
	955 803 075 12 6Q2	Havanna			
	955 803 075 12 4P8	Sand beige			
(1)	955 803 075 13	Airbag unit Leather		1	PR: 2PM, G0R, 4N8
		D >> - MJ 2008			
	955 803 075 13 5Z3	Black			
	955 803 075 13 6P1	Stone grey			
	955 803 075 13 6Q2	Havanna			
	955 803 075 13 4P8	Sand beige			
(1)	955 803 075 12	Airbag unit Leather		1	PR: 1MV, 2PM, G0R, 4N8
		D - MJ 2009>>			
		Discontinued part			
	955 803 075 12 5Z3	Black			
	955 803 075 12 6P1	Stone grey			
	955 803 075 12 6Q2	Havanna			
	955 803 075 12 4P8	Sand beige			
(1)	955 803 075 13	Airbag unit Leather		1	PR: 1MV, 2PM, G0R, 4N8
		D - MJ 2009>>			
	955 803 075 13 5Z3	Black			
	955 803 075 13 6P1	Stone grey			
	955 803 075 13 6Q2	Havanna			
	955 803 075 13 4P8	Sand beige			
(1)	955 803 075 12	Airbag unit Leather		1	PR: 2PW, G0R, 4N8
		D - MJ 2009>>			
	955 803 075 12 5Z3	Black			
(1)	955 803 075 22	Airbag unit Leather		1	PR: 2PH, G0L, 4N8
		D - MJ 2008>>			
	955 803 075 22 5Z3	Black			
		Discontinued part			
	955 803 075 22 6P1	Stone grey			
		Discontinued part			
	955 803 075 22 6Q2	Havanna			
		Discontinued part			
	955 803 075 22 4P8	Sand beige			
(1)	955 803 075 23	Airbag unit Leather		1	PR: 2PH, G0L, 4N8
		D - MJ 2008>>			
	955 803 075 23 5Z3	Black			
	955 803 075 23 6P1	Stone grey			
	955 803 075 23 6Q2	Havanna			
(1)	955 803 075 22	Airbag unit Leather		1	PR: 1MW, 2PH, G0L, 4N8
		D - MJ 2009>>			
	955 803 075 22 5Z3	Black			
		Discontinued part			

Model: 9PA108 Model life 2007>>2010

Pos	Part Number	Description	Remark	Qty	Model
	955 803 075 22 6P1	Stone grey Discontinued part			
	955 803 075 22 6Q2	Havanna Discontinued part			
(1)	955 803 075 22 4P8	Sand beige			
	955 803 075 23	Airbag unit Leather D - MJ 2009>>		1	PR:1MW,2PH, G0L,4N8
	955 803 075 23 5Z3	Black			
	955 803 075 23 6P1	Stone grey			
	955 803 075 23 6Q2	Havanna			
(1)	955 803 075 22	Airbag unit Leather D - MJ 2009>>		1	PR:2PR,G0L, 4N8
	955 803 075 22 5Z3	Black			
(1)	955 803 075 32	Airbag unit Leather D >> - MJ 2008 Discontinued part		1	PR:2PH,G0R, 4N8
	955 803 075 32 5Z3	Black			
	955 803 075 32 6P1	Stone grey			
	955 803 075 32 6Q2	Havanna			
	955 803 075 32 4P8	Sand beige			
(1)	955 803 075 33	Airbag unit Leather D >> - MJ 2008		1	PR:2PH,G0R, 4N8
	955 803 075 33 5Z3	Black			
	955 803 075 33 6P1	Stone grey			
	955 803 075 33 6Q2	Havanna			
	955 803 075 33 4P8	Sand beige			
(1)	955 803 075 32	Airbag unit Leather D - MJ 2009>> Discontinued part		1	PR:1MD,1MW, 2PH,G0R,4N3, 4N8
	955 803 075 32 5Z3	Black			
	955 803 075 32 6P1	Stone grey			
	955 803 075 32 6Q2	Havanna			
	955 803 075 32 4P8	Sand beige			
(1)	955 803 075 33	Airbag unit Leather D - MJ 2009>>		1	PR:1MD,1MW, 2PH,G0R,4N3, 4N8
	955 803 075 33 5Z3	Black			
	955 803 075 33 6P1	Stone grey			
	955 803 075 33 6Q2	Havanna			
	955 803 075 33 4P8	Sand beige			
(1)	955 803 075 32	Airbag unit Leather D - MJ 2009>>		1	PR:2PR,G0R, 4N3,4N8
	955 803 075 32 5Z3	Black			
(1)	955 803 076 03	Airbag unit plastic Multi-function Radio unit D >> - MJ 2008 Discontinued part		1	PR:2PM,1XJ, 1XK,G0L,4N1, 4LB
	955 803 076 03 2Y7	Black			
	955 803 076 03 2Z1	Stone grey			
	955 803 076 03 3U9	Havanna			
(1)	955 803 076 04	Airbag unit plastic Multi-function Radio unit D >> - MJ 2008		1	PR:2PM,1XJ, 1XK,G0L,4N1, 4LB

Model: 9PA108 Model life 2007>>2010

Pos	Part Number	Description	Remark	Qty	Model
(1)	955 803 076 04 2Y7	Black		1	PR: 2PM, 1XJ, 1XK, G0R, 4N1, 4LB
	955 803 076 04 2Z1	Stone grey			
	955 803 076 04 3U9	Havanna			
	955 803 076 13	Airbag unit plastic Multi-function Radio unit			
	D	>> - MJ 2008 Discontinued part			
(1)	955 803 076 13 2Y7	Black		1	PR: 2PM, 1XJ, 1XK, G0R, 4N1, 4LB
	955 803 076 13 2Z1	Stone grey			
	955 803 076 13 3U9	Havanna			
	955 803 076 14	Airbag unit plastic Multi-function Radio unit			
	D	>> - MJ 2008 Discontinued part			
(1)	955 803 076 14 2Y7	Black		1	PR: 2PH, G0L, 4N1, 4LB
	955 803 076 14 2Z1	Stone grey			
	955 803 076 14 3U9	Havanna			
	955 803 076 23	Airbag unit plastic Multi-function Radio unit			
	D	>> - MJ 2008 Discontinued part			
(1)	955 803 076 23 2Y7	Black		1	PR: 2PH, G0L, 4N1, 4LB
	955 803 076 23 2Z1	Stone grey			
	955 803 076 23 3U9	Havanna			
	955 803 076 24	Airbag unit plastic Multi-function Radio unit			
	D	>> - MJ 2008 Discontinued part			
(1)	955 803 076 24 2Y7	Black		1	PR: 2PH, G0R, 4N1, 4LB
	955 803 076 24 2Z1	Stone grey			
	955 803 076 24 3U9	Havanna			
	955 803 076 33	Airbag unit plastic Multi-function Radio unit			
	D	>> - MJ 2008 Discontinued part			
(1)	955 803 076 33 2Y7	Black		1	PR: 2PH, G0R, 4N1, 4LB
	955 803 076 33 2Z1	Stone grey			
	955 803 076 33 3U9	Havanna			
	955 803 076 34	Airbag unit plastic Multi-function Radio unit			
	D	>> - MJ 2008 Discontinued part			
(1)	955 803 076 34 2Y7	Black		1	PR: 2PM, 1XJ, 1XK, G0L, 4N1, 4LC
	955 803 076 34 2Z1	Stone grey			
	955 803 076 34 3U9	Havanna			
	955 803 077 04	Airbag unit plastic Multi-function Radio unit Telephone			
	D	>> - MJ 2008 Discontinued part			
	955 803 077 04 2Y7	Black			
	955 803 077 04 2Z1	Stone grey			

Model: 9PA108 Model life 2007>>2010

Pos	Part Number	Description	Remark	Qty	Model
(1)	955 803 077 04 3U9 955 803 077 05	Havanna Airbag unit plastic Multi-function Radio unit Telephone D >> - MJ 2008		1	PR: 2PM, 1XJ, 1XK, G0L, 4N1, 4LC
(1)	955 803 077 05 2Y7 955 803 077 05 2Z1 955 803 077 05 3U9 955 803 077 04	Black Stone grey Havanna Airbag unit plastic Multi-function Radio unit Telephone D - MJ 2009>> Discontinued part		1	PR: 1MV, 2PM, 1XJ, 1XK, G0L, 4N1, 4LC
(1)	955 803 077 04 2Y7 955 803 077 04 2Z1 955 803 077 04 3U9 955 803 077 05	Black Stone grey Havanna Airbag unit plastic Multi-function Radio unit Telephone D - MJ 2009>> Discontinued part		1	PR: 1MV, 2PM, 1XJ, 1XK, G0L, 4N1, 4LC
(1)	955 803 077 05 2Y7 955 803 077 05 2Z1 955 803 077 05 3U9 955 803 077 04	Black Stone grey Havanna Airbag unit plastic Multi-function Radio unit Telephone D - MJ 2009>> Discontinued part		1	PR: 2PW, G0L, 4N1, 4LC
(1)	955 803 077 04 2Y7 955 803 077 05	Black Airbag unit plastic Multi-function Radio unit Telephone D - MJ 2009>>		1	PR: 2PW, G0L, 4N1, 4LC
(1)	955 803 077 05 2Y7 955 803 077 14	Black Airbag unit plastic Multi-function Radio unit Telephone D >> - MJ 2008		1	PR: 2PM, 1XJ, 1XK, G0R, 4N1, 4LC
(1)	955 803 077 14 2Y7 955 803 077 14 2Z1 955 803 077 14 3U9 955 803 077 14	Black Stone grey Havanna Airbag unit plastic Multi-function Radio unit Telephone D - MJ 2009>>		1	PR: 1MV, 2PM, 1XJ, 1XK, G0R, 4N1, 4LC
(1)	955 803 077 14 2Y7 955 803 077 14 2Z1 955 803 077 14 3U9 955 803 077 14	Black Stone grey Havanna Airbag unit		1	PR: 2PW, G0R,

Model: 9PA108 Model life 2007>>2010

Pos	Part Number	Description	Remark	Qty	Model
		plastic Multi-function Radio unit Telephone D - MJ 2009>>			4N1, 4LC
(1)	955 803 077 14 2Y7 955 803 077 24	Black Airbag unit plastic Multi-function Radio unit Telephone D >> - MJ 2008		1	PR: 2PH, G0L, 4N1, 4LC
	955 803 077 24 2Y7	Black Discontinued part			
	955 803 077 24 2Z1	Stone grey Discontinued part			
(1)	955 803 077 24 3U9 955 803 077 25	Havanna Airbag unit plastic Multi-function Radio unit Telephone D >> - MJ 2008		1	PR: 2PH, G0L, 4N1, 4LC
	955 803 077 25 2Y7	Black			
	955 803 077 25 2Z1	Stone grey			
(1)	955 803 077 24	Airbag unit plastic Multi-function Radio unit Telephone D - MJ 2009>>		1	PR: 1MW, 2PH, G0L, 4N1, 4LC
	955 803 077 24 2Y7	Black			
	955 803 077 24 2Z1	Stone grey			
	955 803 077 24 3U9	Havanna			
(1)	955 803 077 24	Airbag unit plastic Multi-function Radio unit Telephone D - MJ 2009>>		1	PR: 2PR, G0L, 4N1, 4LC
	955 803 077 24 2Y7	Black			
(1)	955 803 077 34	Airbag unit plastic Multi-function Radio unit Telephone D >> - MJ 2008		1	PR: 2PH, G0R, 4N1, 4LC
	955 803 077 34 2Y7	Black			
	955 803 077 34 2Z1	Stone grey			
	955 803 077 34 3U9	Havanna			
(1)	955 803 077 35	Airbag unit plastic Multi-function Radio unit Telephone D >> - MJ 2008		1	PR: 2PH, G0R, 4N1, 4LC
	955 803 077 35 2Y7	Black			
	955 803 077 35 2Z1	Stone grey			
	955 803 077 35 3U9	Havanna			
(1)	955 803 077 34	Airbag unit plastic Multi-function		1	PR: 1MW, 2PH, G0R, 4N1, 4LC

Model: 9PA108 Model life 2007>>2010

Pos	Part Number	Description	Remark	Qty	Model
		Radio unit Telephone D - MJ 2009>> Discontinued part			
	955 803 077 34 2Y7	Black			
	955 803 077 34 2Z1	Stone grey			
	955 803 077 34 3U9	Havanna			
(1)	955 803 077 35	Airbag unit plastic Multi-function Radio unit Telephone D - MJ 2009>>		1	PR:1MW,2PH, GOR,4N1,4LC
	955 803 077 35 2Y7	Black			
	955 803 077 35 2Z1	Stone grey			
	955 803 077 35 3U9	Havanna			
(1)	955 803 077 34	Airbag unit plastic Multi-function Radio unit Telephone D - MJ 2009>>		1	PR:2PR,GOR, 4N1,4LC
	955 803 077 34 2Y7	Black			
(1)	955 803 077 35	Airbag unit plastic Multi-function Radio unit Telephone D - MJ 2009>>		1	PR:2PR,GOR, 4N1,4LC
	955 803 077 35 2Y7	Black			
(1)	955 803 078 03	Airbag unit Leather Multi-function Radio unit D >> - MJ 2008		1	PR:2PM,1XJ, 1XK,GOL,4N8, 4LB
	955 803 078 03 5Z3	Black			
	955 803 078 03 6P1	Stone grey			
	955 803 078 03 6Q2	Havanna			
	955 803 078 03 4P8	Sand beige Discontinued part			
(1)	955 803 078 05	Airbag unit Leather Multi-function Radio unit D >> - MJ 2008		1	PR:2PM,1XJ, 1XK,GOL,4N8, 4LB
	955 803 078 05 4P8	Sand beige			
(1)	955 803 078 13	Airbag unit Leather Multi-function Radio unit D >> - MJ 2008		1	PR:2PM,1XJ, 1XK,GOR,4N8, 4LB
	955 803 078 13 5Z3	Black			
	955 803 078 13 6P1	Stone grey			
	955 803 078 13 6Q2	Havanna			
	955 803 078 13 4P8	Sand beige			
(1)	955 803 078 14	Airbag unit Leather Multi-function Radio unit D >> - MJ 2008		1	PR:2PM,1XJ, 1XK,GOR,4N8, 4LB
	955 803 078 14 5Z3	Black			

Model: 9PA108 Model life 2007>>2010

Pos	Part Number	Description	Remark	Qty	Model
(1)	955 803 078 14 6P1	Stone grey		1	PR: 2PH, G0L, 4N8, 4LB
	955 803 078 14 6Q2	Havanna			
	955 803 078 14 4P8	Sand beige			
	955 803 078 23	Airbag unit Leather Multi-function Radio unit D >> - MJ 2008			
	955 803 078 23 5Z3	Black Discontinued part			
(1)	955 803 078 23 6P1	Stone grey		1	PR: 2PH, G0L, 4N8, 4LB
	955 803 078 23 6Q2	Havanna Discontinued part			
	955 803 078 23 4P8	Sand beige Discontinued part			
	955 803 078 24	Airbag unit Leather Multi-function Radio unit D >> - MJ 2008			
	955 803 078 24 5Z3	Black			
(1)	955 803 078 24 6Q2	Havanna		1	PR: 2PH, G0R, 4N8, 4LB
	955 803 078 24 4P8	Sand beige			
	955 803 078 33	Airbag unit Leather Multi-function Radio unit D >> - MJ 2008			
	955 803 078 33 5Z3	Black			
	955 803 078 33 6P1	Stone grey			
(1)	955 803 078 33 6Q2	Havanna		1	PR: 2PH, G0R, 4N8, 4LB
	955 803 078 33 4P8	Sand beige			
	955 803 078 34	Airbag unit Leather Multi-function Radio unit D >> - MJ 2008			
	955 803 078 34 5Z3	Black			
	955 803 078 34 6P1	Stone grey			
(1)	955 803 078 34 6Q2	Havanna		1	PR: 2PM, 1XJ, 1XK, G0L, 4N8, 4LC
	955 803 078 34 4P8	Sand beige			
	955 803 079 04	Airbag unit Leather Multi-function Radio unit Telephone D >> - MJ 2008			
	955 803 079 04 5Z3	Black			
	955 803 079 04 6P1	Stone grey			
(1)	955 803 079 04 6Q2	Havanna		1	PR: 2PM, 1XJ, 1XK, G0L, 4N8, 4LC
	955 803 079 04 4P8	Sand beige			
	955 803 079 06	Airbag unit Leather Multi-function Radio unit Telephone D >> - MJ 2008			
	955 803 079 06 5Z3	Black			
	955 803 079 06 4P8	Sand beige			
(1)	955 803 079 05	Airbag unit Leather		1	PR: 2PM, 1XJ, 1XK, G0L, 4N8,

Model: 9PA108 Model life 2007>>2010

Pos	Part Number	Description	Remark	Qty	Model
		Multi-function Radio unit Telephone D >> - MJ 2008			4LC
(1)	955 803 079 05 6Q2 955 803 079 04	Havanna Airbag unit Leather Multi-function Radio unit Telephone D - MJ 2009>> Discontinued part		1	PR: 1MV, 2PM, 1XJ, 1XK, G0L, 4N8, 4LC
	955 803 079 04 5Z3 955 803 079 04 6P1 955 803 079 04 6Q2 955 803 079 04 4P8	Black Stone grey Havanna Sand beige			
(1)	955 803 079 06	Airbag unit Leather Multi-function Radio unit Telephone D - MJ 2009>>		1	PR: 1MV, 2PM, 1XJ, 1XK, G0L, 4N8, 4LC
	955 803 079 06 5Z3 955 803 079 06 4P8	Black Sand beige			
(1)	955 803 079 05	Airbag unit Leather Multi-function Radio unit Telephone D - MJ 2009>>		1	PR: 1MV, 2PM, 1XJ, 1XK, G0L, 4N8, 4LC
	955 803 079 05 6Q2 955 803 079 04	Havanna Airbag unit Leather Multi-function Radio unit Telephone D - MJ 2009>> Discontinued part			
(1)	955 803 079 04 5Z3 955 803 079 06	Black Airbag unit Leather Multi-function Radio unit Telephone D - MJ 2009>>		1	PR: 2PW, G0L, 4N8, 4LC
	955 803 079 06 5Z3 955 803 079 14	Black Airbag unit Leather Multi-function Radio unit Telephone D >> - MJ 2008			
(1)	955 803 079 14 5Z3 955 803 079 14 6P1 955 803 079 14 6Q2 955 803 079 14 4P8 955 803 079 14	Black Stone grey Havanna Sand beige Airbag unit Leather Multi-function Radio unit Telephone D - MJ 2009>>		1	PR: 2PM, 1XJ, 1XK, G0R, 4N8, 4LC
	955 803 079 14 5Z3	Black			
(1)	955 803 079 14	Airbag unit Leather Multi-function Radio unit Telephone D - MJ 2009>>		1	PR: 1MV, 2PM, 1XJ, 1XK, G0R, 4N3, 4N8, 4LC
	955 803 079 14 5Z3	Black			

Model: 9PA108 Model life 2007>>2010

Pos	Part Number	Description	Remark	Qty	Model
(1)	955 803 079 14 6P1	Stone grey		1	PR: 2PW, G0R, 4N3, 4N8, 4LC
	955 803 079 14 6Q2	Havana			
	955 803 079 14 4P8	Sand beige			
	955 803 079 14	Airbag unit Leather Multi-function Radio unit Telephone D - MJ 2009>>			
(1)	955 803 079 14 5Z3	Black		1	PR: 2PH, G0L, 4N8, 4LC
	955 803 079 24	Airbag unit Leather Multi-function Radio unit Telephone D >> - MJ 2008			
	955 803 079 24 5Z3	Black Discontinued part			
	955 803 079 24 6P1	Stone grey			
(1)	955 803 079 24 6Q2	Havana Discontinued part		1	PR: 2PH, G0L, 4N8, 4LC
	955 803 079 24 4P8	Sand beige			
	955 803 079 25	Airbag unit Leather Multi-function Radio unit Telephone D >> - MJ 2008			
	955 803 079 25 5Z3	Black			
(1)	955 803 079 25 6Q2	Havana		1	PR: 1MW, 2PH, G0L, 4N8, 4LC
	955 803 079 24	Airbag unit Leather Multi-function Radio unit Telephone D - MJ 2009>>			
	955 803 079 24 5Z3	Black Discontinued part			
	955 803 079 24 6P1	Stone grey			
(1)	955 803 079 24 6Q2	Havana Discontinued part		1	PR: 1MW, 2PH, G0L, 4N8, 4LC
	955 803 079 24 4P8	Sand beige			
	955 803 079 25	Airbag unit Leather Multi-function Radio unit Telephone D - MJ 2009>>			
	955 803 079 25 5Z3	Black			
(1)	955 803 079 25 6Q2	Havana		1	PR: 2PR, G0L, 4N8, 4LC
	955 803 079 24	Airbag unit Leather Multi-function Radio unit Telephone D - MJ 2009>>			
	955 803 079 24 5Z3	Black			
	955 803 079 34	Airbag unit Leather Multi-function Radio unit Telephone D >> - MJ 2008			

Model: 9PA108 Model life 2007>>2010

Pos	Part Number	Description	Remark	Qty	Model
(1)	955 803 079 34 5Z3	Black		1	PR:1MD,1MW, 2PH,GOR,4N3, 4N8,4LC
	955 803 079 34 6P1	Stone grey			
	955 803 079 34 6Q2	Havanna			
	955 803 079 34 4P8	Sand beige			
	955 803 079 34	Airbag unit Leather Multi-function Radio unit Telephone D - MJ 2009>>			
(1)	955 803 079 34 5Z3	Black		1	PR:2PR,GOR, 4N3,4N8,4LC
	955 803 079 34 6P1	Stone grey			
	955 803 079 34 6Q2	Havanna			
	955 803 079 34 4P8	Sand beige			
	955 803 079 34	Airbag unit Leather Multi-function Radio unit Telephone D - MJ 2009>>			
2	955 803 079 34 5Z3	Black		1	PR:2PM,GOL
	955 612 672 00	Wire set D >> - MJ 2008		1	PR:2PM,1MV,
(2)	955 612 672 00	Wire set D - MJ 2009>>		1	PR:2PM,GOR
(2)	955 612 670 00	Wire set D >> - MJ 2008		1	PR:2PM,1MV,
(2)	955 612 670 00	Wire set D - MJ 2009>>		1	PR:2PM,1XJ, 1XK,4LB,4LC, GOL,GOR
(2)	955 612 670 00	Wire set D >> - MJ 2008		1	PR:2PM,1XJ, 4LC,GOL,GOR
(2)	955 612 673 00	Wire set D >> - MJ 2008		1	PR:2PH,GOL
(2)	955 612 673 00	Wire set D - MJ 2009>>		1	PR:2PH,1MD,
(2)	955 612 671 00	Wire set D >> - MJ 2008		1	PR:2PH,GOR
(2)	955 612 671 00	Wire set D - MJ 2009>>		1	PR:2PH,1MD,
(2)	955 612 671 00	Wire set D >> - MJ 2008		1	PR:2PH,4LB, 4LC,GOL,GOR
(2)	955 612 671 00	Wire set D - MJ 2009>>		1	PR:2PH,1MD, GOL,GOR
3	955 803 521 00	Clip		2	
(4)	955 652 211 01	Wire set Spring with: steering sensor Discontinued part		1	PR:2PM,1MV, 2PW,GOL
(4)	955 652 211 02	Wire set Spring with: steering sensor		1	PR:2PM,1MV, 2PW,GOL
(4)	955 652 211 11	Wire set Spring with: steering sensor D >> - MJ 2008		1	PR:2PM,GOR
(4)	955 652 211 11	Wire set Spring Discontinued part		1	PR:2PM,1MV,

Model: 9PA108 Model life 2007>>2010

Pos	Part Number	Description	Remark	Qty	Model
		with: steering sensor D - MJ 2009>> Discontinued part Spring		1	2PW,G0R PR:2PM,1MV, 2PW,G0R
(4)	955 652 211 12				
		with: steering sensor D - MJ 2010>> Spring		1	PR:2PH
(4)	955 652 211 21				
		with: steering sensor D >> - MJ 2008 Spring		1	PR:2PH,1MD, 1MW,2PR
(4)	955 652 211 21				
		with: steering sensor D - MJ 2009>> Discontinued part Spring		1	PR:2PH,1MD, 1MW,2PR
(4)	955 652 211 22				
		with: steering sensor D - MJ 2009>> Spring		1	PR:2PM,1XJ, 1XK,4LB,4LC
(4)	955 652 211 11				
		with: steering sensor D >> - MJ 2008 Discontinued part Spring		1	PR:2PM,1MV, 1XJ,1XK,2PW, 4LC
(4)	955 652 211 11				
		with: steering sensor D - MJ 2009>> Discontinued part Spring		1	PR:2PM,1MV, 1XJ,1XK,2PW, 4LC
(4)	955 652 211 12				
		with: steering sensor D - MJ 2010>> Spring		1	PR:2PH,4LB, 4LC
(4)	955 652 211 21				
		with: steering sensor D >> - MJ 2008 Spring		1	PR:2PH,1MD, 1MW,2PR,4LC
(4)	955 652 211 21				
		with: steering sensor D - MJ 2009>> Discontinued part Spring		1	PR:2PH,1MD, 1MW,2PR,4LC
(4)	955 652 211 22				
		with: steering sensor D - MJ 2009>> Airbag unit (passenger side) F >> 9P-8LA00 838 F >> 9P-8LA30 724 F >> 9P-8LA80 658 Discontinued part		1	
5	955 803 071 01				
		with: steering sensor D - MJ 2009>> Airbag unit (passenger side) F 9P-8LA00 839>> 9P-8LA18 169 F 9P-8LA30 725>> 9P-8LA48 433 F 9P-8LA80 659>> 9P-8LA93 488		1	
(5)	955 803 071 02				
		with: steering sensor D - MJ 2009>> Airbag unit (passenger side) F 9P-8LA00 839>> 9P-8LA18 169 F 9P-8LA30 725>> 9P-8LA48 433 F 9P-8LA80 659>> 9P-8LA93 488		1	
(5)	955 803 071 03				

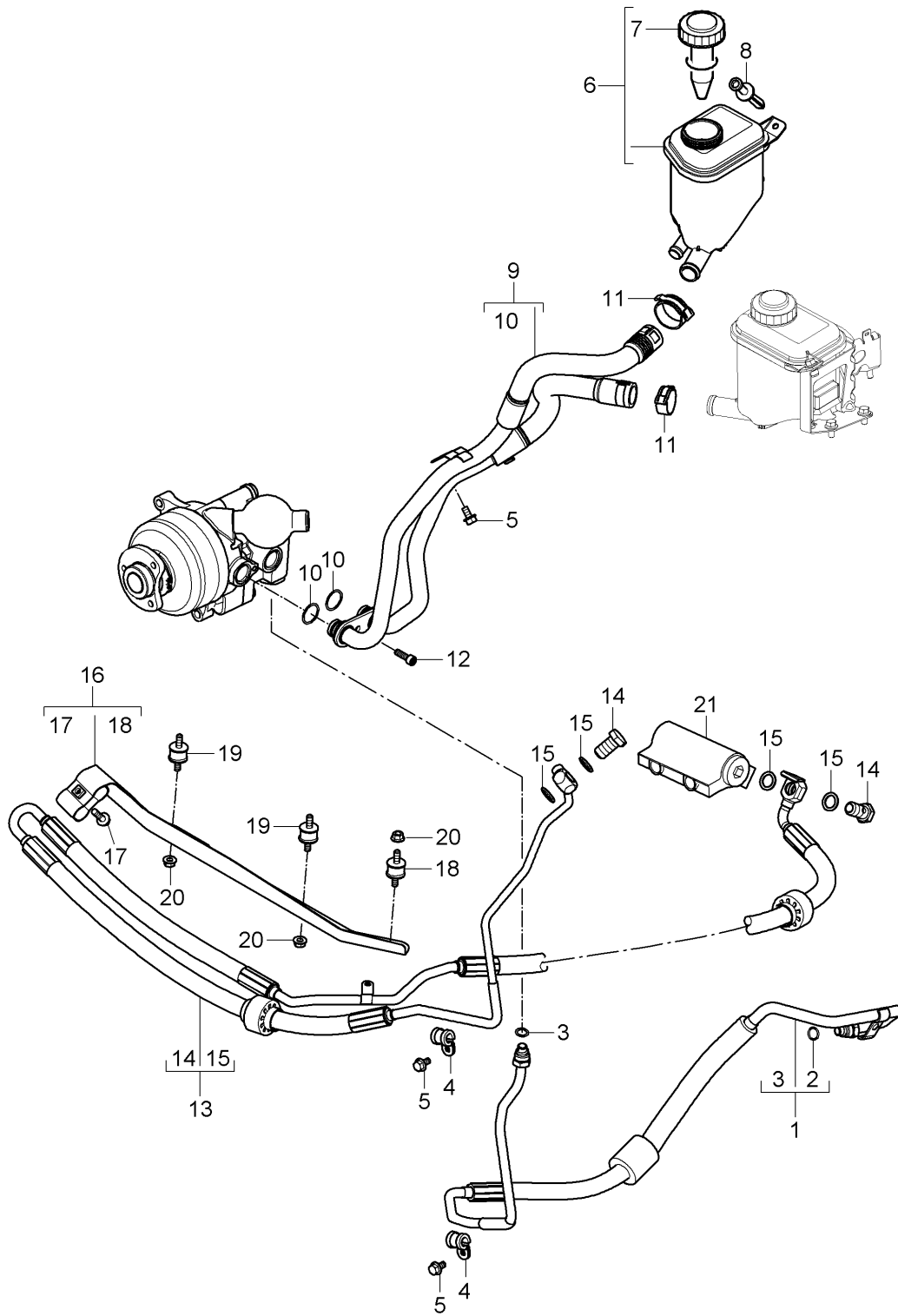
Model: 9PA108

Model life 2007>>2010

Pos	Part Number	Description	Remark	Qty	Model
(5)	955 803 071 04	F 9P-8LA70 079>> F 9P-8LA93 489>> D >> - MJ 2009 Airbag unit (passenger side) D - MJ 2010>>		1	
6	N 101 586 05	bolt,hex.hd.with shoul.(combi) M 6 X 20		4	
7	N 901 671 04	hexagon head bolt (combi) M 6 X 15		2	
8	955 618 219 10	Control unit for airbag Discontinued part		1	
(8)	955 618 219 11	Control unit for airbag		1	
9	955 618 419 21	domed cap nut M 6		3	
10	955 618 220 12	Front sensor Airbag		2	
12	N 015 082 10	Hexagon collar nut M 6		4	
13	955 618 221 01	Sensor Side airbag unit B-pillar		2	
14	N 906 381 04	Oval-head screw M 6 X 12		4	
15	955 618 222 31	Sensor Side airbag unit c-pillar		2	
16	N 105 181 02	round hd. screw M 6 X 40		4	
17	955 618 542 10	Bracket		2	
18	955 618 543 00	Bracket		2	
19	N 016 199 2	Pop rivet 3,2 X 10		2	
20		Side airbag unit see illustration:	817-020	X	
21		Head airbag unit see illustration:	807-030	X	

Model: 9PA108

Model life 2007>>2010



Model: 9PA108 Model life 2007>>2010

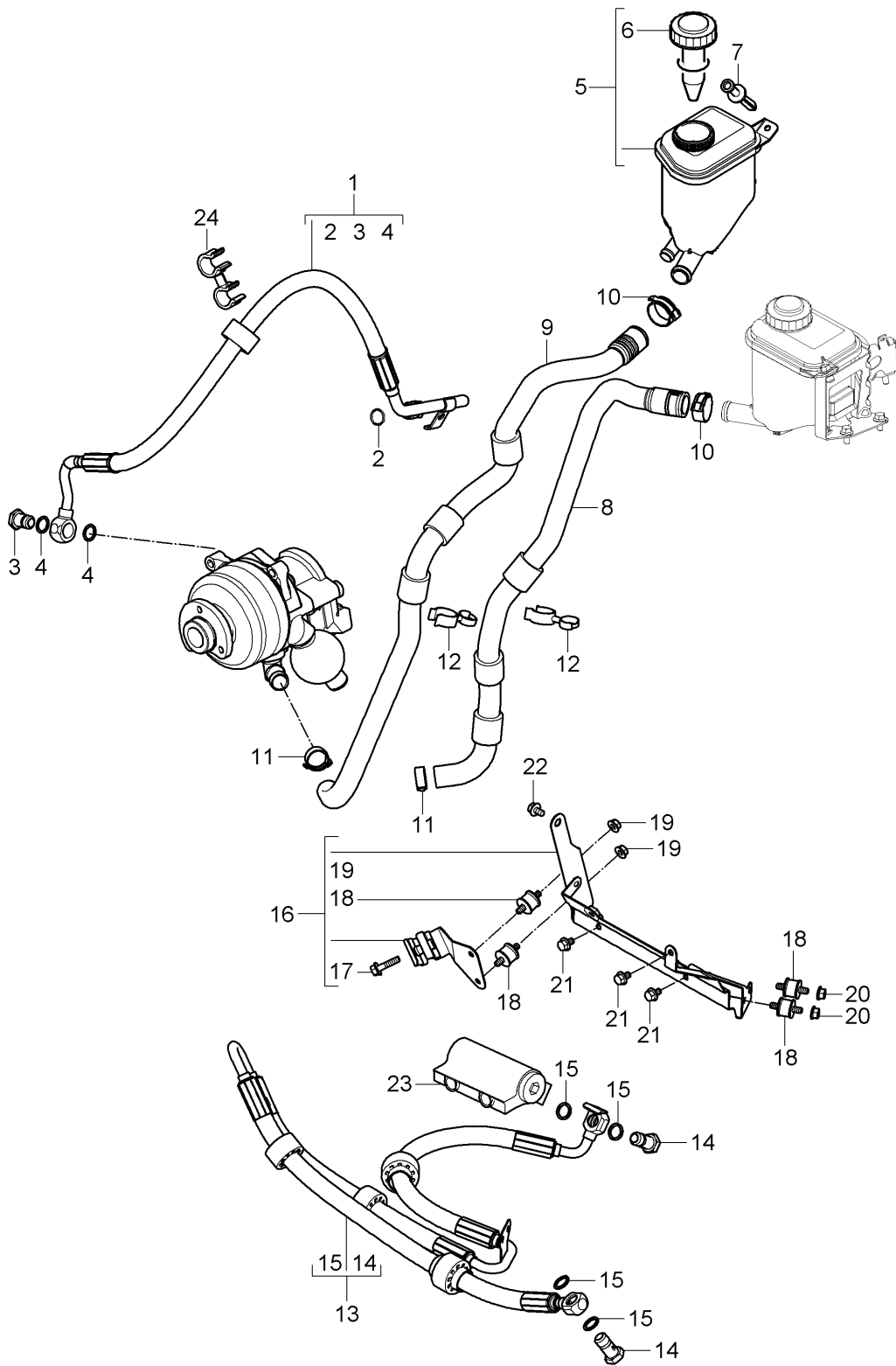
Pos	Part Number	Description	Remark	Qty	Model
		Power steering Lines oil container Parts not listed see illustration:	403-001		PR:D5V,D5Z, 0AW
1	955 347 451 30	Pressure line Steering gear Tandem pump	lhd	1	PR:L0L
(1)	955 347 452 40	Pressure line Steering gear Tandem pump	rhd	1	PR:L0R
-	N 107 278 01	Distance piece for Pressure line	rhd	1	PR:D5Z,L0R
2	955 347 542 00	O-ring 9,25 X 1,78		1	
3	955 347 543 00	O-ring 7,65 X 1,63		1	
4	N 020 651 5	Clamp 10 X 15		2	
(4)	N 020 651 7	D >> - MJ 2008 Clamp 10 X 15		2	
5	N 101 563 07	D - MJ 2009>> Hex collared bolt M 6 X 12		3	
6	955 314 015 20	oil container		1	
7	955 314 145 00	Threaded cover		1	
8	955 359 740 00	Spreader rivet		1	
9	955 359 118 50	suction line (complete) oil container Tandem pump		1	
(9)	955 359 118 52	F >> 9P-8LA53 012 F >> 9P-8LA73 883 F >> 9P-8LA96 526 suction line (complete) oil container Tandem pump		1	
(9)	955 359 118 51	F 9P-8LA53 013>> F 9P-8LA73 884>> F 9P-8LA96 527>> D >> - MJ 2009 suction line (complete) oil container Tandem pump		1	
10	WHT 003 695	D - MJ 2010>> O-ring 16 X 2		2	
11	N 906 870 01	Spring band clamp B 27 X 12		2	
12	N 908 424 02	hexagon head bolt (combi) M 6 X 22		1	
(12)	N 022 148 12	F >> 9P-8LA53 012 F >> 9P-8LA73 883 F >> 9P-8LA96 526 hexagon nut, self-locking M 6 F 9P-8LA53 013>> F 9P-8LA73 884>> F 9P-8LA96 527>>		1	

Model: 9PA108 Model life 2007>>2010

Pos	Part Number	Description	Remark	Qty	Model
13	955 359 125 10	Pressure line Tandem pump Junction		1	
(13)	955 359 125 11	No longer use the part here Pressure line Tandem pump Junction		1	
(13)	955 359 125 12	D >> - MJ 2008 Pressure line Tandem pump Junction		1	
(13)	955 359 125 13	D - MJ 2009>> - MJ 2009 Discontinued part Pressure line Tandem pump Junction		1	
14	N 021 074 7	D - MJ 2010>> Banjo bolt M 14 X 1,5		2	
15	N 013 849 4	seal ring A 14 X 20		4	
(15)	N 013 849 5	No longer use the part here seal ring A 14 X 20		4	
16	955 359 310 10	bracket for pressure line		1	
17	N 102 856 02	hexagon head bolt (combi) M 6 X 25		1	
18	955 343 638 10	Bonded rubber buffer		1	
19	955 343 638 10	Bonded rubber buffer		2	
20	N 015 082 13	Hexagon collar nut M 6		3	
21		Junction see illustration:	402-007	1	

Model: 9PA108

Model life 2007>>2010



Model: 9PA108 Model life 2007>>2010

Pos	Part Number	Description	Remark	Qty	Model
		Power steering Lines oil container Parts not listed see illustration:	403-002		PR:D5X,0AW
1	955 347 451 40	Pressure line Steering gear Tandem pump	lhd	1	PR:L0L
(1)	955 347 452 50	Pressure line Steering gear Tandem pump	rhd	1	PR:L0R
2	955 347 542 00	O-ring		1	
3	WHT 001 878	9,25 X 1,78 Banjo bolt		1	
4	N 013 848 6	M 16 X 1,5 seal ring		2	
5	955 314 015 20	A 16 X 22 oil container		1	
6	955 314 145 00	Threaded cover		1	
7	955 359 740 00	Spreader rivet		1	
8	955 347 443 10	Intake hose oil container Power steering Tandem pump		1	
9	955 359 118 00	Intake hose oil container -PDCC- Tandem pump		1	
10	N 906 870 01	Spring band clamp		2	
11	999 512 656 09	B 27 X 12 Hose clamp		2	
12	N 106 816 01	B 25 X 12 Hose bracket Intake hose Refrigerant line		2	
13	955 359 125 00	Pressure line Tandem pump Junction		1	
(13)	955 359 125 01	No longer use the part here Pressure line Tandem pump Junction		1	
(13)	955 359 125 02	D >> - MJ 2008 Pressure line Tandem pump Junction		1	
(13)	955 359 125 03	D - MJ 2009>> - MJ 2009 Pressure line Tandem pump Junction		1	
14	N 021 074 7	D - MJ 2010>> Banjo bolt		2	
15	N 013 849 4	M 14 X 1,5 seal ring		4	
(15)	N 013 849 5	A 14 X 20 No longer use the part here seal ring		4	
16	955 359 310 00	A 14 X 20 bracket for pressure line		1	
17	N 102 856 02	hexagon head bolt (combi)		1	
18	955 343 638 10	M 6 X 25 Bonded rubber buffer		4	
19	N 015 082 13	Hexagon collar nut		2	

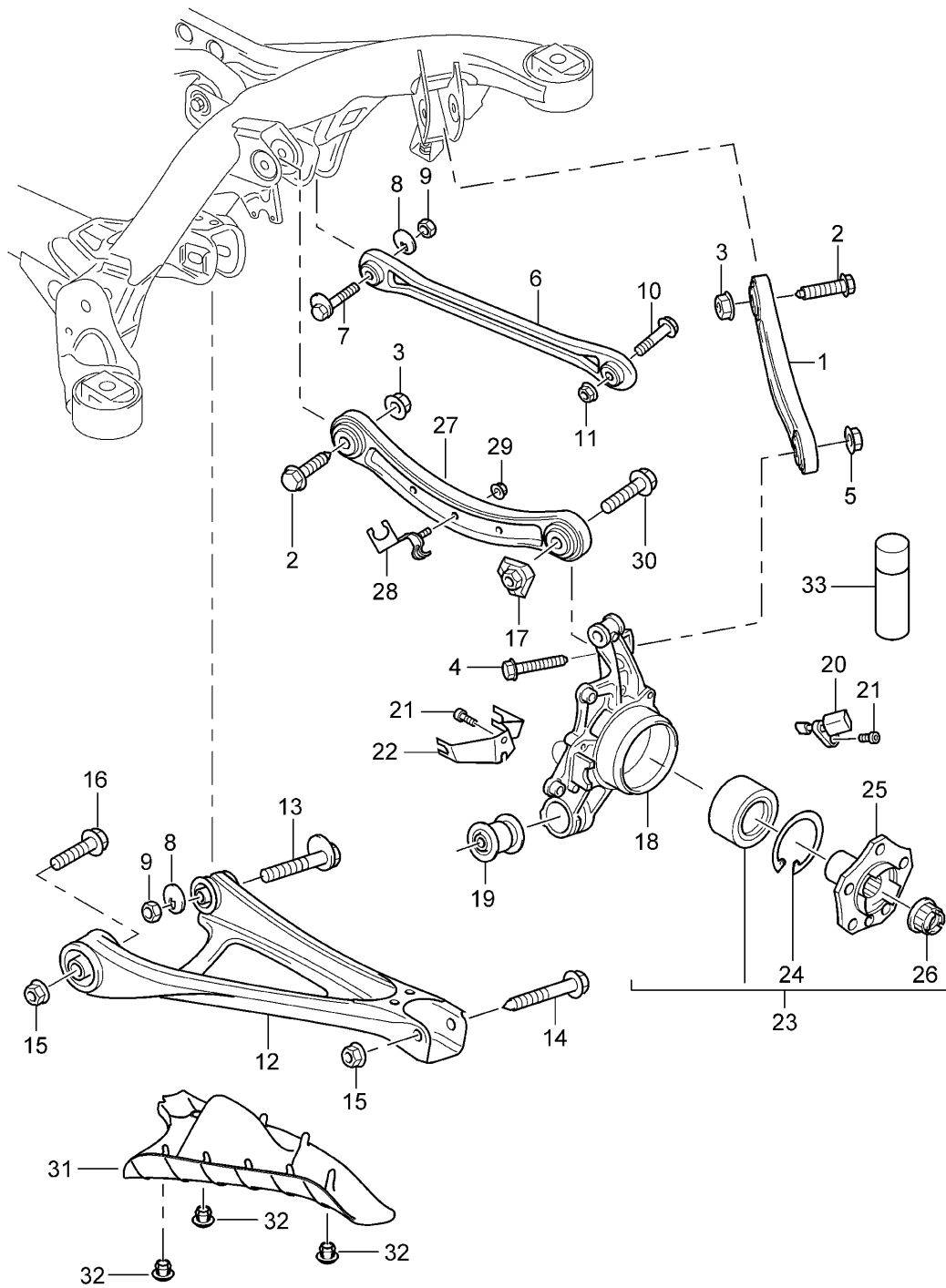
Model: 9PA108

Model life 2007>>2010

Pos	Part Number	Description	Remark	Qty	Model
20	N 015 082 13	M 6 Hexagon collar nut		2	
21	N 101 563 07	M 6 Hex collared bolt		3	
22	N 101 563 07	M 6 X 12 Hex collared bolt		1	PR:GOL
23		M 6 X 12 Junction		1	
24	N 104 421 01	see illustration: Bracket A01-18 X C01-22 Pressure line Wire set Engine	402-007 lhd	1	PR:L0L

Model: 9PA108

Model life 2007>>2010



Model: 9PA108

Model life 2007>>2010

Pos	Part Number	Description	Remark	Qty	Model
1	955 331 049 00	Rear axle Wheel carrier Wishbone Track rod Wheel hub Stone chip guard Wishbone	left upper rear	1	
(1)	955 331 050 00	Wishbone	right upper rear	1	
2	N 105 524 02	Hex collared bolt M 12 X 1,5 X 70		4	
3	N 104 029 04	Hexagon nut M 12 X 1,5		4	
4	N 105 869 02	Hex collared bolt M 16 X 1,5 X 110 Discontinued part		2	
(4)	WHT 005 459	Hexagon bolt M 16 X 1,5 X 110		2	
5	N 910 204 02	hex. nut, self-locking with washer M 16 X 1,5		2	
6	955 331 045 32	Track rod		2	
7	WHT 001 834	Eccentric bolt M 14 X 1,5 X 82		2	
8	WHT 001 796 A	eccentric washer		4	
9	WHT 001 938	hexagon nut, self-locking M 14 X 1,5		4	
10	N 910 205 02	hexagon head bolt (combi) M 16 X 1,5 X 125		2	
11	N 105 868 02	Hexagon collar nut self-locking M 16 X 1,5		2	
12	955 331 017 11	Wishbone	left lower	1	
(12)	955 331 018 11	Wishbone	right lower	1	
13	WHT 001 833	Eccentric bolt M 14 X 1,5 X 102		2	
14	N 105 230 02	Hex collared bolt M 14 X 1,5 X 100		2	
15	N 103 353 04	Hexagon nut M 14 X 1,5		4	
16	N 105 326 02	Hex collared bolt BM 14 X 1,5 X 102		2	
17	WHT 001 872	hex. nut with washer M 14 X 1,5		2	
18	955 331 611 20	Wheel carrier	left	1	
(18)	955 331 612 20	Wheel carrier	right	1	
19	955 341 588 10	Link bearing		2	
20	955 606 405 11	speed sensor Discontinued part	left	1	
20	955 606 405 12	speed sensor	left	1	
(20)	955 606 406 11	speed sensor	right	1	
21	N 014 740 11	Socket head bolt with hexagon socket head M 6 X 16		4	
22	955 331 321 10	Bracket for ABS unit	left	1	
(22)	955 331 322 30	Bracket for ABS unit	right	1	
23	955 341 901 00	Repair set for rear axle		2	

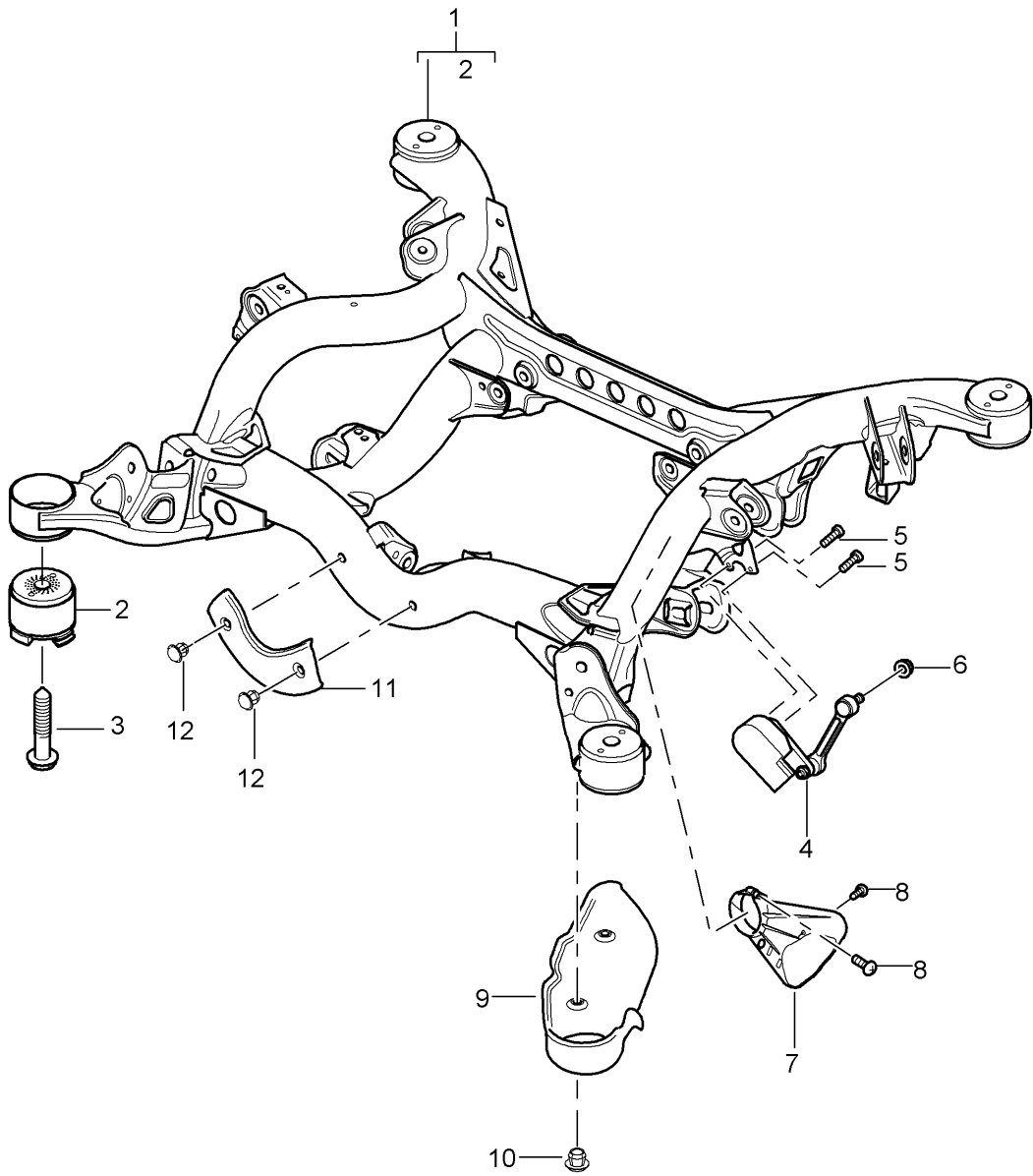
Model: 9PA108

Model life 2007>>2010

Pos	Part Number	Description	Remark	Qty	Model
		angular ball bearing also use:	N 105 234 02	6	
		for Mount Drive shaft			
24	N 105 320 01	Securing ring 95 X 3		2	
25	955 341 605 11	Wheel hub		2	
26	955 341 640 00	Locknut M 24		2	
27	955 331 047 10	Wishbone	upper front	2	
28	955 331 322 40	Bracket for ABS unit Line speed sensor		2	
29	N 023 002 12	hexagon nut, self-locking M 6		2	
30	N 105 326 02	Hex collared bolt BM 14 X 1,5 X 102		2	
31	955 331 315 02	Stone chip guard	left	1	PR:6EB,6ES
(31)	955 331 316 02	Stone chip guard	right	1	PR:6EB,6ES
32	N 106 085 01	Spreader rivet		6	PR:6EB,6ES
33	000 043 204 21	Grease Spraying can 25 ML		1	
		Discontinued part			
33	G 052 778 A2	Lock cylinder grease spray Spraying can 25 ML		1	

Model: 9PA108

Model life 2007>>2010



Model: 9PA108 Model life 2007>>2010

Pos	Part Number	Description	Remark	Qty	Model
		Rear axle Suspension sub-frame Headlight range control Level sensor Stone chip guard			PR:1BA,1BW, 8Q3,1BK,1BH
1	955 331 031 00	Suspension sub-frame D >> - MJ 2009 Discontinued part		1	PR:0AB
(1)	955 331 031 20	Suspension sub-frame D >> - MJ 2009		1	PR:0AB
(1)	955 331 031 01	Suspension sub-frame D - MJ 2010>> Discontinued part		1	PR:0AB
(1)	955 331 031 20	Suspension sub-frame D - MJ 2010>>		1	PR:0AB
(1)	955 331 031 10	Suspension sub-frame Discontinued part		1	PR:0AW
(1)	955 331 031 11	Suspension sub-frame Discontinued part		1	PR:0AW
(1)	955 331 031 20	Suspension sub-frame		1	PR:0AW
2	955 331 135 00	hydro-mounting Discontinued part		4	
(2)	955 331 135 01	hydro-mounting		4	
3	N 909 987 02	bolt,hex.hd.with shoul.(combi) M 14 X 1,5 X 150		4	
(3)	N 909 763 02	bolt,hex.hd.with shoul.(combi) M 14 X 1,5 X 135 Only for Repair Threaded bush Use See workshop manual Group 5 Document 518941		4	
4	955 331 077 21	Level sensor with poles	left	1	PR:1BA,1BW, 8Q3
(4)	955 331 077 21	Level sensor with poles		2	PR:1BK
(4)	955 331 077 21	Level sensor with poles		2	PR:1BH
5	N 104 343 01	Socket head bolt M 5 X 10		2	PR:1BA,1BW, 8Q3
(5)	N 104 343 01	Socket head bolt M 5 X 10		4	PR:1BK
(5)	N 104 343 01	Socket head bolt M 5 X 10		4	PR:1BH
6	N 023 002 12	hexagon nut, self-locking M 6		1	PR:1BA,1BW, 8Q3
(6)	N 023 002 12	hexagon nut, self-locking M 6		2	PR:1BK
(6)	N 023 002 12	hexagon nut, self-locking M 6		2	PR:1BH
7	955 331 325 01	Stone chip guard	left	1	PR:6EB,6ES
(7)	955 331 325 01	Stone chip guard	left	1	PR:1Y1
(7)	955 331 326 01	Stone chip guard	right	1	PR:6EB,6ES
8	N 106 115 02	fillister hd. bolt 4 X 25		4	PR:6EB,6ES
(8)	N 106 115 02	fillister hd. bolt 4 X 25		2	PR:1Y1
9	955 331 313 01	Stone chip guard	left	1	PR:6EB,6ES
(9)	955 331 314 01	Stone chip guard	right	1	PR:6EB,6ES
10	N 106 084 01	Spreader rivet		4	PR:6EB,6ES
11	955 331 317 01	Stone chip guard		1	PR:6EB,6ES

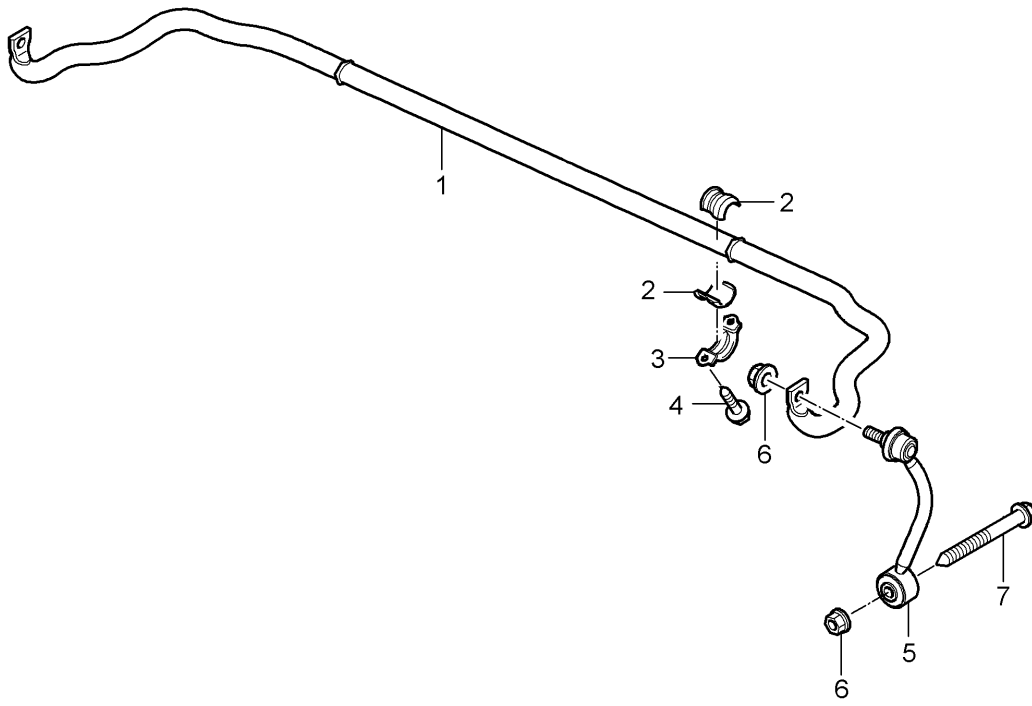
Model: 9PA108

Model life 2007>>2010

Pos	Part Number	Description	Remark	Qty	Model
12	N 106 085 01	Spreader rivet		2	PR:6EB,6ES

Model: 9PA108

Model life 2007>>2010



Model: 9PA108

Model life 2007>>2010

Pos	Part Number	Description	Remark	Qty	Model
1	955 333 701 00	Anti-roll bar Anti-roll bar 25,00 MM Identification: >> >> green Discontinued part		1	PR:0AB PR:D5V,1BA, 1BW
(1)	958 333 701 00	Anti-roll bar 25,00 MM Identification: >> >> green		1	PR:D5V,1BA, 1BW
(1)	955 333 701 00	Anti-roll bar 25,00 MM Identification: >> >> green Discontinued part		1	PR:D5X,1BK
(1)	958 333 701 00	Anti-roll bar 25,00 MM Identification: >> >> green		1	PR:D5X,1BK
(1)	955 333 701 00	Anti-roll bar 25,00 MM Identification: >> >> green Discontinued part		1	PR:D50,1BK
(1)	958 333 701 00	Anti-roll bar 25,00 MM Identification: >> >> green		1	PR:D50,1BK
(1)	955 333 701 20	Anti-roll bar 24,60 MM Identification: >> >> lilac		1	PR:D5X,1BA, 1BW
(1)	955 333 701 20	Anti-roll bar 24,60 MM Identification: >> >> lilac		1	PR:D50,1BA, 1BW
(1)	955 333 701 20	Anti-roll bar 24,60 MM Identification: >> >> lilac		1	PR:D5V,1BH
(1)	955 333 701 30	Anti-roll bar 25,60 MM Identification: >> >> yellow		1	PR:D5V,D5Z, 1BK
2	955 333 792 40	anti-roll bar bearing bracket 24,10 MM Identification: >> >> green		4	PR:D5V,1BA, 1BW
(2)	955 333 792 40	anti-roll bar bearing bracket 24,10 MM Identification: >> >> green		4	PR:D5X,1BK
(2)	955 333 792 40	anti-roll bar bearing bracket 24,10 MM Identification: >> >> green		4	PR:D50,1BK
(2)	955 333 792 50	anti-roll bar bearing bracket 23,70 MM Identification: >> >> lilac		4	PR:D5X,1BA, 1BW
(2)	955 333 792 50	anti-roll bar bearing bracket 23,70 MM Identification: >> >>		4	PR:D50,1BA, 1BW

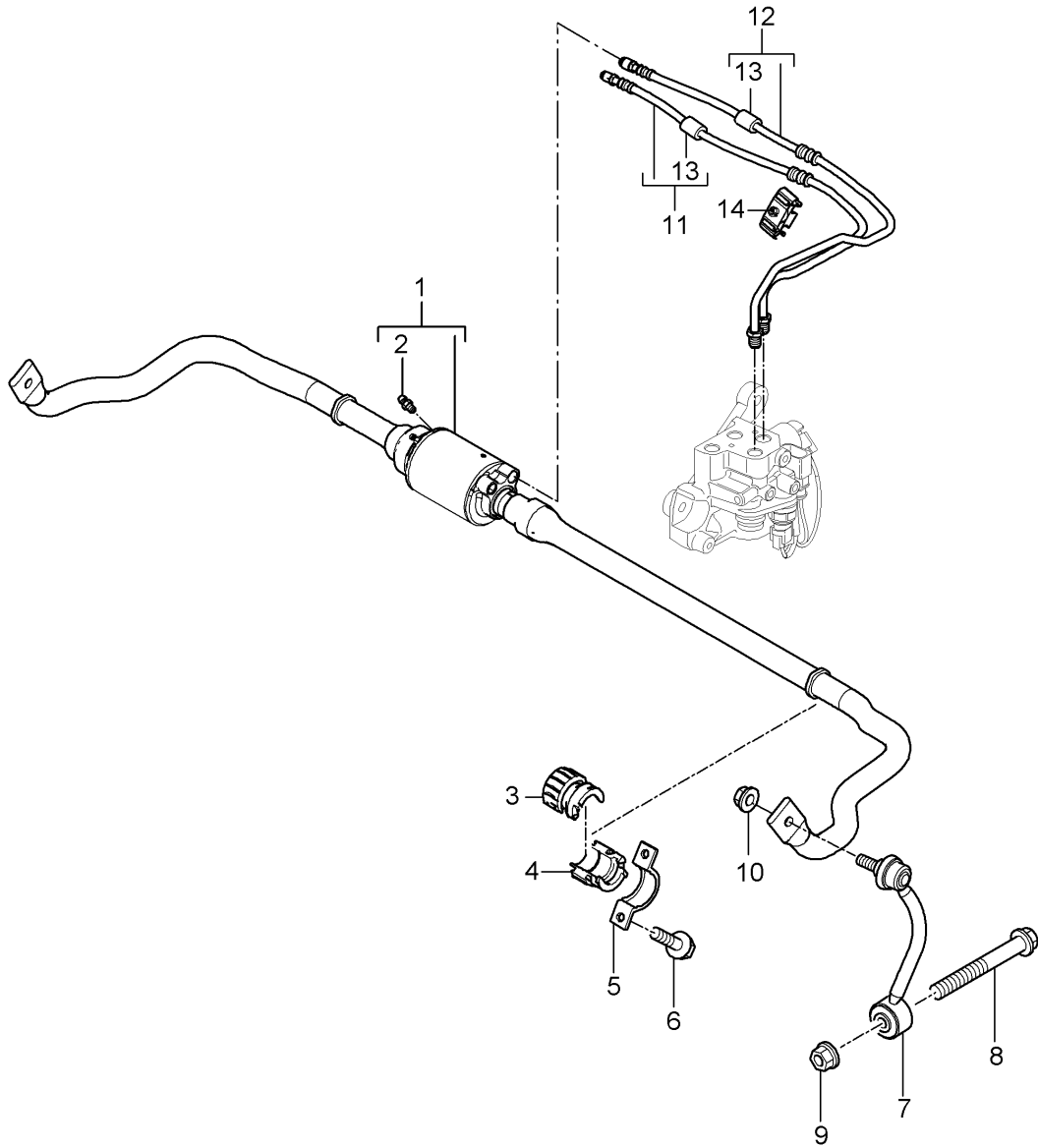
Model: 9PA108

Model life 2007>>2010

Pos	Part Number	Description	Remark	Qty	Model
(2)	955 333 792 50	lilac anti-roll bar bearing bracket 23,70 MM Identification: >> >>		4	PR:D5V,1BH
(2)	955 333 792 30	lilac anti-roll bar bearing bracket 24,70 MM Identification: >> >>		4	PR:D5V,D5Z, 1BK
3	955 333 777 01	yellow Clamp		2	
4	N 106 978 01	Hex collared bolt M 10 X 30		4	
5	955 333 069 21	Coupling rod	left	1	
(5)	955 333 070 21	Coupling rod	right	1	
6	N 104 029 04	Hexagon nut M 12 X 1,5		4	
7	N 105 924 02	Hex collared bolt M 12 X 1,5 X 120		2	

Model: 9PA108

Model life 2007>>2010



Model: 9PA108 Model life 2007>>2010

Pos	Part Number	Description	Remark	Qty	Model
		Anti-roll bar Hose			PR:OAW
1	955 333 703 00	Anti-roll bar with:		1	
		Breather valve Discontinued part			
(1)	955 333 703 01	Anti-roll bar without:		1	
		Breather valve Discontinued part			
(1)	958 333 703 00	Anti-roll bar without:		1	
		Breather valve			
2	955 343 902 00	Breather valve		2	
3	955 333 793 00	anti-roll bar bearing bracket Upper part		2	
4	955 333 794 00	anti-roll bar bearing bracket Lower part		2	
5	955 333 777 01	Clamp		2	
6	N 106 978 01	Hex collared bolt M 10 X 30		4	
7	955 333 069 11	Coupling rod F >> 9P-ALA60 912	left	1	
(7)	955 333 069 21	Coupling rod F 9P-ALA60 913>>	left	1	
(7)	955 333 070 11	Coupling rod F >> 9P-ALA60 912	right	1	
(7)	955 333 070 21	Coupling rod F 9P-ALA60 913>>	right	1	
8	N 105 924 02	Hex collared bolt M 12 X 1,5 X 120		2	
9	N 104 029 04	Hexagon nut M 12 X 1,5		2	
10	WHT 003 218	Combined nut M 12 X 1,5		2	
		only in conj. with:			
		Coupling rod 955.333.069.11 955.333.070.11 F >> 9P-ALA60 912			
(10)	N 104 029 04	Hexagon nut M 12 X 1,5		2	
		only in conj. with:			
		Coupling rod 955.333.069.21 955.333.070.21 F 9P-ALA60 913>>			
11	955 359 121 00	Hose D >> - MJ 2008		1	
		Discontinued part			
11	955 359 121 01	Hose without:		1	
		Shrink-fit hose also use:	N 107 225 01		
(11)	955 359 121 02	Discontinued part Hose with:		1	
		Shrink-fit hose also use:	N 107 623 01		
12	955 359 122 00	Hose D >> - MJ 2008		1	
		Discontinued part			
12	955 359 122 01	Hose		1	

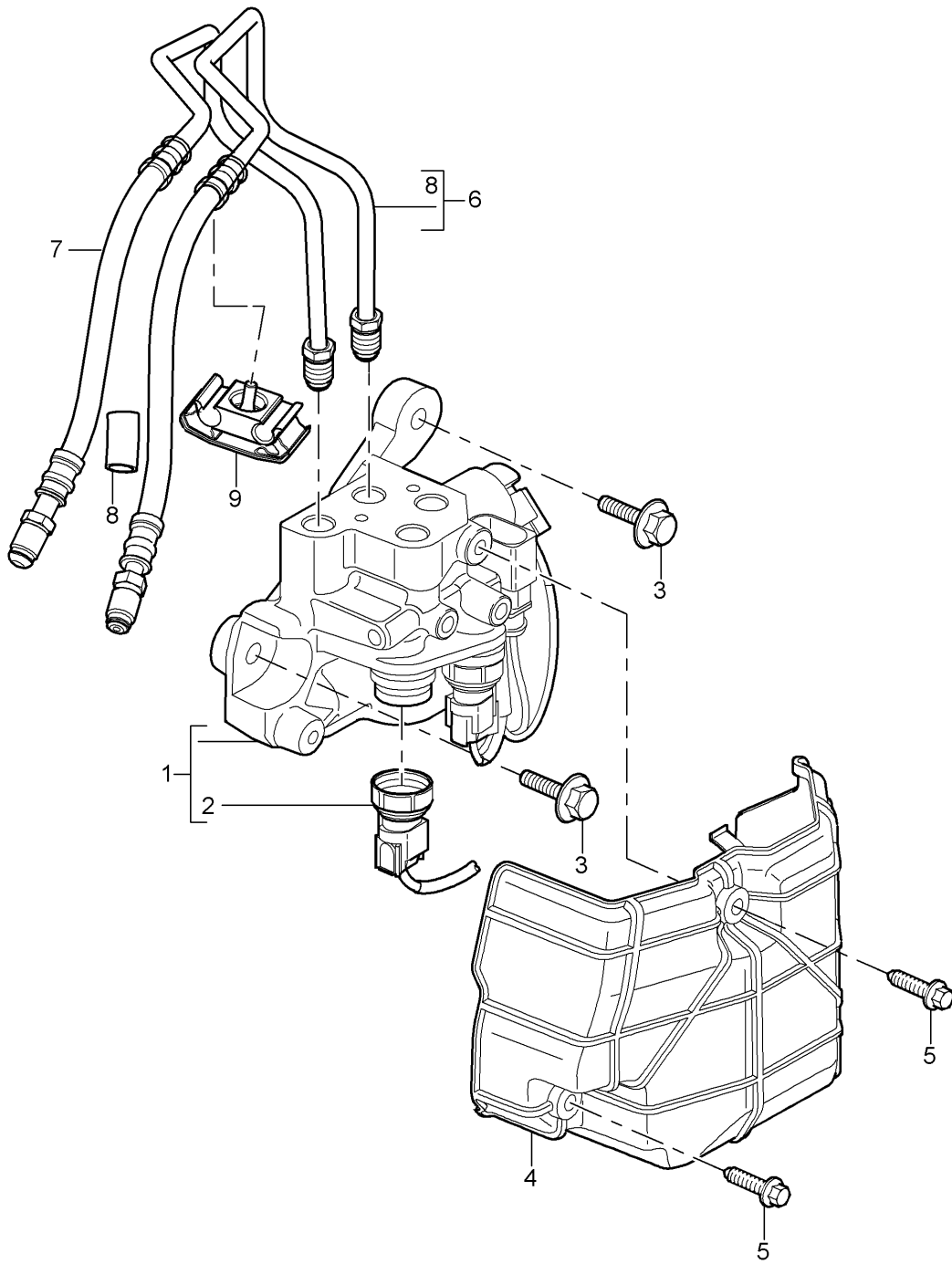
Model: 9PA108

Model life 2007>>2010

Pos	Part Number	Description	Remark	Qty	Model
(12)	955 359 122 02	Shrink-fit hose without: Discontinued part Hose	also use: N 107 225 01	1	
13	N 107 225 01	Shrink-fit hose Distance piece 10,5 MM for Hose	also use: N 107 623 01	2	
(13)	N 107 623 01	Shrink-fit hose toothed lock washer 11,5 MM for Hose	without:	2	
14	955 359 513 00	Shrink-fit hose Line holder	with:	1	

Model: 9PA108

Model life 2007>>2010

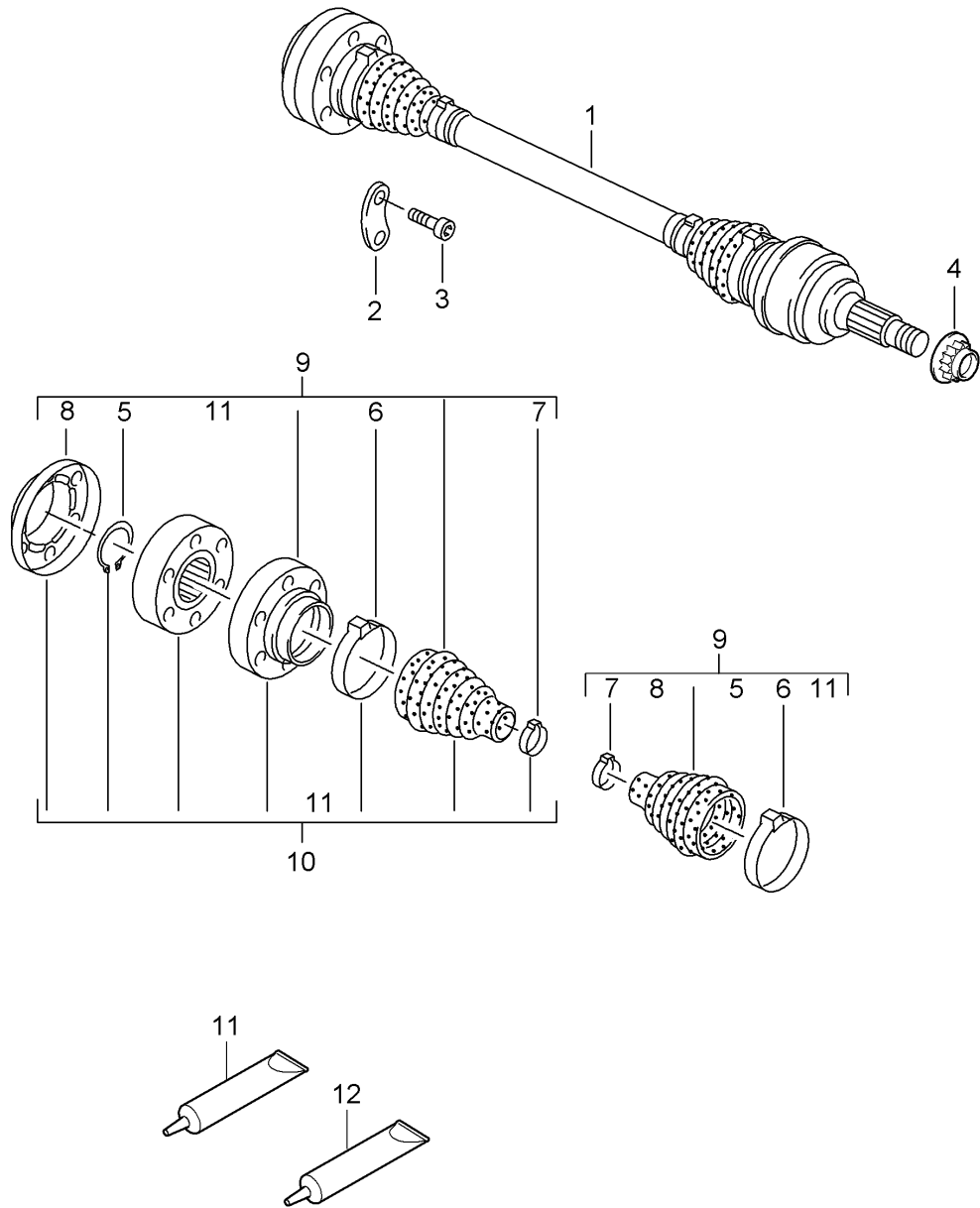


Model: 9PA108 Model life 2007>>2010

Pos	Part Number	Description	Remark	Qty	Model
		Anti-roll bar Valve block Pressure line return line			PR:OAW
1	955 359 040 00	Valve block No longer use the part here		1	
(1)	955 359 040 01	Valve block Discontinued part		1	
(1)	958 359 040 00	Valve block		1	
2	955 612 215 00	Wire set		1	
3	N 101 560 09	Hex collared bolt M 8 X 25		2	
4	955 359 325 00	Cover		1	
5	N 101 602 05	Hex collared bolt M 6 X 25		2	
6	955 359 123 00	Pressure line without: Shrink-fit hose		1	
			also use: N 107 225 01		
		D >> - MJ 2008 Discontinued part			
(6)	955 359 123 01	Pressure line without: Shrink-fit hose		1	
			also use: N 107 225 01		
		D - MJ 2009>> Discontinued part			
(6)	955 359 123 02	Pressure line with: Shrink-fit hose		1	
			also use: N 107 623 01		
		D - MJ 2009>> return line			
7	955 359 124 00	return line		1	
		D - MJ 2008>> return line			
(7)	955 359 124 01	return line		1	
		D - MJ 2009>> Distance piece 10,5 MM for Pressure line			
8	N 107 225 01	Distance piece 10,5 MM for Pressure line		2	
			without:		
(8)	N 107 623 01	Shrink-fit hose toothed lock washer 11,5 MM for Pressure line		2	
			with:		
9	955 359 513 00	Shrink-fit hose Line holder		1	

Model: 9PA108

Model life 2007>>2010



Model: 9PA108 Model life 2007>>2010

Pos	Part Number	Description	Remark	Qty	Model
1	955 332 024 01	Drive shaft		2	PR:D5X
1	955 332 024 01	Drive shaft		2	PR:D50
(1)	955 332 024 01	Drive shaft		2	PR:D5V,G0R
(1)	955 332 024 11	Drive shaft		2	PR:D5X,1Y1
(1)	955 332 024 11	Drive shaft		2	PR:D50,1Y1
(1)	955 332 024 11	Drive shaft		2	PR:D5V,G0L
(1)	955 332 024 11	Drive shaft		2	PR:D5V,1Y1
(1)	955 332 024 11	Drive shaft		2	PR:D5Z
2	955 332 191 31	Spacer		6	PR:D5X
2	955 332 191 31	Spacer		6	PR:D50
(2)	955 332 191 31	Spacer		6	PR:D5V,G0R
(2)	955 332 191 21	Spacer		6	PR:D5X,1Y1
(2)	955 332 191 21	Spacer		6	PR:D50,1Y1
(2)	955 332 191 21	Spacer		6	PR:D5V,G0L
(2)	955 332 191 21	Spacer		6	PR:D5V,1Y1
(2)	955 332 191 21	Spacer		6	PR:D5Z
3	N 105 234 02	Socket head bolt with inner multipoint head AM 10 X 52		12	
4	955 341 640 00	Locknut M 24 X 1,5		2	
5	N 012 374 1	Securing ring 28 X 1,5		2	PR:D5X
(5)	N 012 374 1	Securing ring 28 X 1,5		2	PR:D50
(5)	N 012 374 1	Securing ring 28 X 1,5		2	PR:D5V,G0R
(5)	N 012 375 1	Securing ring 30 X 1,5		2	PR:D5X,1Y1
(5)	N 012 375 1	Securing ring 30 X 1,5		2	PR:D50,1Y1
(5)	N 012 375 1	Securing ring 30 X 1,5		2	PR:D5V,G0L
(5)	N 012 375 1	Securing ring 30 X 1,5		2	PR:D5V,1Y1
(5)	N 012 375 1	Securing ring 30 X 1,5		2	PR:D5Z
6	N 909 906 01	clamp 69 X 10 X 1		4	PR:D5X
(6)	N 909 906 01	clamp 69 X 10 X 1		4	PR:D50
(6)	N 909 906 01	clamp 69 X 10 X 1		4	PR:D5V,G0R
(6)	N 909 473 01	clamp 75 X 10 X 1		4	PR:D5X,1Y1
(6)	N 909 473 01	clamp 75 X 10 X 1		4	PR:D50,1Y1
(6)	N 909 473 01	clamp 75 X 10 X 1		4	PR:D5V,G0L
(6)	N 909 473 01	clamp 75 X 10 X 1		4	PR:D5V,1Y1
(6)	N 909 473 01	clamp 75 X 10 X 1		4	PR:D5Z
7	N 908 240 01	clamp 34,5 X 10 X 0,8		4	PR:D5X
(7)	N 908 240 01	clamp 34,5 X 10 X 0,8		4	PR:D50
(7)	N 908 240 01	clamp 34,5 X 10 X 0,8		4	PR:D5V,G0R
(7)	N 909 342 01	clamp 37,5 X 10 X 0,8		4	PR:D5X,1Y1
(7)	N 909 342 01	clamp 37,5 X 10 X 0,8		4	PR:D50,1Y1

Model: 9PA108

Model life 2007>>2010

Pos	Part Number	Description	Remark	Qty	Model
(7)	N 909 342 01	37,5 X 10 X 0,8 clamp		4	PR:D5V,G0L
(7)	N 909 342 01	37,5 X 10 X 0,8 clamp		4	PR:D5V,1Y1
(7)	N 909 342 01	37,5 X 10 X 0,8 clamp		4	PR:D5Z
8		37,5 X 10 X 0,8 End cap		X	
9	955 332 901 00	Repair set for rear axle		4	PR:D5X
(9)	955 332 901 00	Dust bellows Repair set for rear axle		4	PR:D50
(9)	955 332 901 00	Dust bellows Repair set for rear axle		4	PR:D5V,G0R
(9)	955 332 901 10	Dust bellows Repair set for rear axle		4	PR:D5X,1Y1
(9)	955 332 901 10	Dust bellows Repair set for rear axle		4	PR:D50,1Y1
(9)	955 332 901 10	Dust bellows Repair set for rear axle		4	PR:D5V,G0L
(9)	955 332 901 10	Dust bellows Repair set for rear axle		4	PR:D5V,1Y1
(9)	955 332 901 10	Dust bellows Repair set for rear axle		4	PR:D5Z
10	955 332 902 00	Dust bellows Repair set for rear axle		2	PR:D5X
(10)	955 332 902 00	Joint Repair set for rear axle		2	PR:D50
(10)	955 332 902 00	Joint Repair set for rear axle		2	PR:D5V,G0R
(10)	955 332 902 10	Joint Repair set for rear axle		2	PR:D5X,1Y1
(10)	955 332 902 10	Joint Repair set for rear axle		2	PR:D50,1Y1
(10)	955 332 902 10	Joint Repair set for rear axle		2	PR:D5V,G0L
(10)	955 332 902 10	Joint Repair set for rear axle		2	PR:D5V,1Y1
(10)	955 332 902 10	Joint Repair set for rear axle		2	PR:D5Z
11	955 349 110 00	Grease Drive shaft		X	
12	000 043 020 00	1 tube 120 GR. Assembly paste		X	
(12)	000 043 205 36	1 100-gramme tube sealant		X	

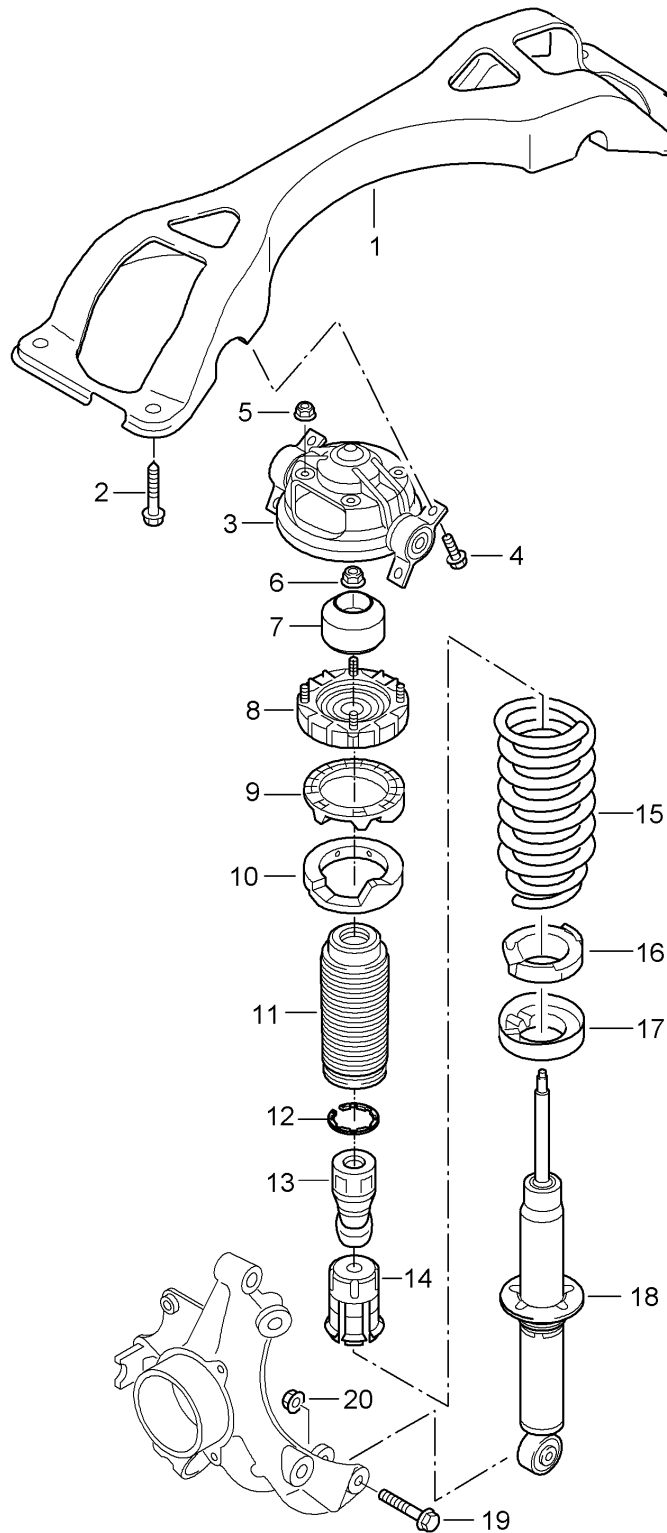
Model: 9PA108

Model life 2007>>2010

Pos	Part Number	Description	Remark	Qty	Model
		Drive shaft 1 100-gramme tube			

Model: 9PA108

Model life 2007>>2010



Model: 9PA108 Model life 2007>>2010

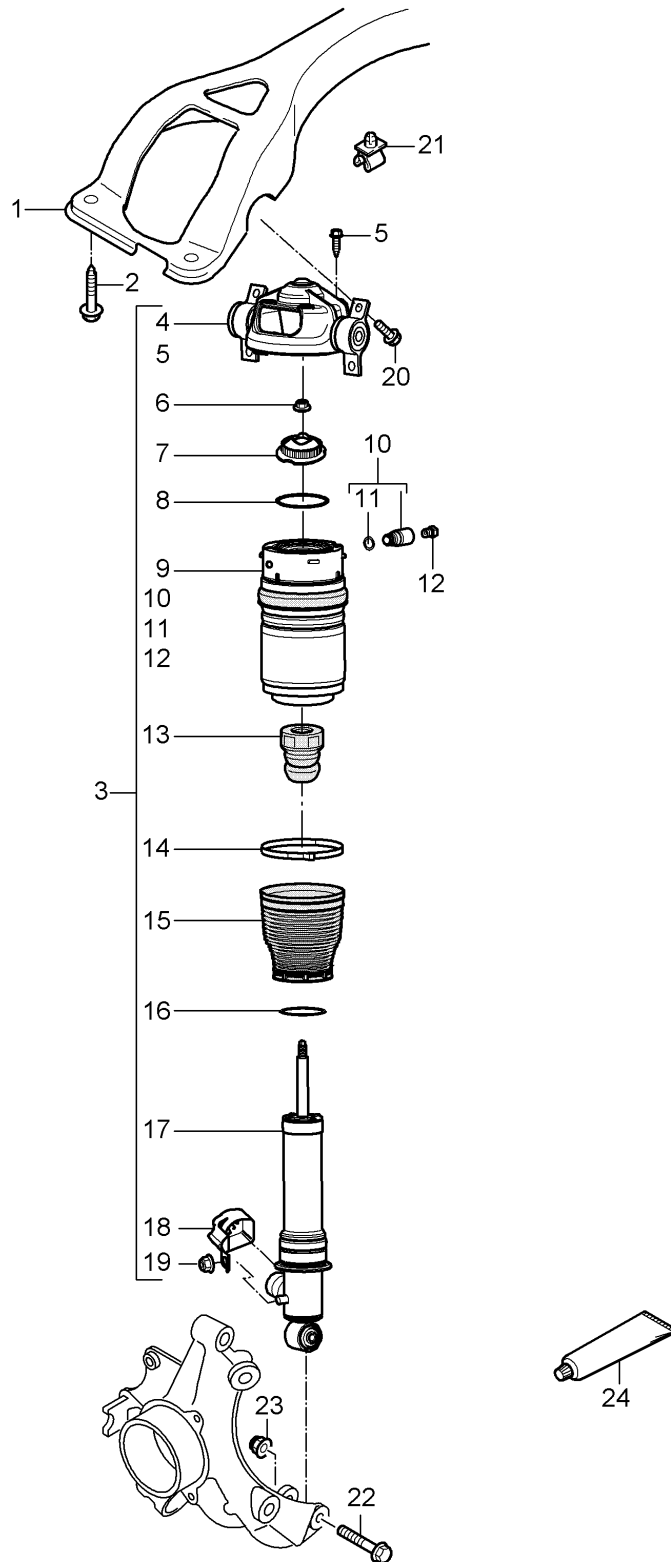
Pos	Part Number	Description	Remark	Qty	Model
		suspension Cross member Shock absorber strut Support for cross member		1	PR:1BA,1BW, 1BH
1	955 333 321 20			1	
2	N 105 056 02	Hex collared bolt AM 12 X 1,5 X 80		4	
3	955 333 015 20	Bracket Discontinued part		2	
(3)	955 333 015 30	Bracket		2	
4	N 908 476 02	Hex collared bolt M 10 X 25		8	
5	N 104 355 06	Hexagon collar nut self-locking M 8		8	
6	N 909 664 02	Hexagon collar nut self-locking M 12 X 1,5		2	
7	955 333 019 00	Shock absorber bearing		2	
8	955 333 071 00	Bearing plate		2	
9	955 333 524 00	shelf	upper	2	
10	955 333 504 00	sprung disc	upper	2	
11	955 343 505 00	Protective sleeve		2	PR:1BA,1BW
(11)	955 343 505 20	Protective sleeve		2	PR:1BH
12	955 343 535 00	Retaining ring		2	PR:1BH
13	955 333 105 20	Stop buffer		2	PR:1BA,1BW
(13)	955 333 105 40	Stop buffer		2	PR:1BH
14	955 343 503 10	Cap		2	PR:1BA,1BW
15	955 333 531 10	Coil spring 1 set		1	PR:D5X,0YA, 0YB,1BA
	955 333 531 10 504	1 pair of springs White Green yellow			
(15)	955 333 531 10	Coil spring 1 set		1	PR:D50,0YA, 0YB,1BA
	955 333 531 10 504	1 pair of springs White Green yellow			
(15)	955 333 531 10	Coil spring 1 set		1	PR:0YA,0YB, 1BW
	955 333 531 10 504	1 pair of springs White Green yellow			
(15)	955 333 531 11	Coil spring 1 set		1	PR:D5X,0YC, 0YD,0YE,0YF, 1BA
	955 333 531 11 504	1 pair of springs White Green yellow yellow			
(15)	955 333 531 11	Coil spring 1 set		1	PR:D50,0YC, 0YD,0YE,0YF, 1BA
	955 333 531 11 504	1 pair of springs White Green yellow yellow			
(15)	955 333 531 11	Coil spring 1 set		1	PR:0YC,0YD, 0YE,0YF,1BW
	955 333 531 11 504	1 pair of springs White Green yellow yellow			
(15)	955 333 531 12	Coil spring		1	PR:D5V,0YA,

Model: 9PA108 Model life 2007>>2010

Pos	Part Number	Description	Remark	Qty	Model
	955 333 531 12 504	1 set 1 pair of springs White Green			0YB,1BA
(15)	955 333 531 13	Pastel orange Coil spring 1 set		1	PR:D5V,0YC, 0YD,0YE,0YF, 1BA
	955 333 531 13 504	1 pair of springs White Green			
(15)	955 333 531 20	Pastel orange Pastel orange Coil spring 1 set D >> - MJ 2009 Discontinued part		1	PR:D5V,0YA, 0YB,1BH
	955 333 531 20 504	1 pair of springs pure white			
(15)	955 333 531 21	Coil spring 1 set D - MJ 2010>>		1	PR:D5V,0YA, 0YB,1BH
	955 333 531 21 504	1 pair of springs Squirrel grey			
(15)	955 333 531 30	Coil spring 1 set D >> - MJ 2009 Discontinued part		1	PR:D5V,0YC, 0YD,0YE,0YF, 1BH
	955 333 531 30 504	1 pair of springs pure white pure white			
(15)	955 333 531 31	Coil spring 1 set D - MJ 2010>>		1	PR:D5V,0YC, 0YD,0YE,0YF, 1BH
	955 333 531 31 504	1 pair of springs Squirrel grey Squirrel grey			
16	955 343 527 00	spring disc	lower	2	PR:1BA,1BW
(16)	955 343 528 00	spring disc	lower	2	PR:1BH
17	955 343 525 00	Balancing plate Black	lower	2	PR:1BA,1BW
(17)	955 343 525 10	Balancing plate blue	lower	2	PR:1BA,1BW
(17)	955 343 525 20	Balancing plate beige	lower	2	PR:1BA,1BW
(17)	955 343 525 50	Balancing plate beige	lower	2	PR:1BH
18	955 333 051 30	Shock absorbers Discontinued part		2	PR:D5X,1BA
(18)	955 333 051 31	Shock absorbers		2	PR:D5X,1BA
(18)	955 333 051 31	Shock absorbers		2	PR:D50,1BA
(18)	955 333 051 40	Shock absorbers Discontinued part		2	PR:D5V,1BA
(18)	955 333 051 41	Shock absorbers		2	PR:D5V,1BA
18	955 333 051 50	Shock absorbers Discontinued part		2	PR:D5X,D5V,
(18)	955 333 051 51	Shock absorbers		2	PR:D5X,D5V, 1BW
(18)	955 333 051 70	Shock absorbers	left	1	PR:D5V,1BH
(18)	955 333 052 70	Shock absorbers	right	1	PR:D5V,1BH
19	N 105 924 02	Hex collared bolt M 12 X 1,5 X 120		2	
20	N 104 029 04	Hexagon nut M 12 X 1,5		2	

Model: 9PA108

Model life 2007>>2010



Model: 9PA108

Model life 2007>>2010

Pos	Part Number	Description	Remark	Qty	Model
		suspension Cross member Spring strut			PR:1BK
1	955 333 321 20	Support for cross member		1	
2	N 105 056 02	Hex collared bolt AM 12 X 1,5 X 80		4	
3	955 358 019 00	suspension strut complete See workshop manual Group 4 43-01IN00	left	1	PR:D5X
(3)	955 358 019 01	D >> - MJ 2008 suspension strut complete See workshop manual Group 4 43-01IN00	left	1	PR:D5X,1BK
(3)	955 358 019 01	D - MJ 2009>> suspension strut complete See workshop manual Group 4 43-01IN00	left	1	PR:D50,1BK
(3)	955 358 019 10	suspension strut complete See workshop manual Group 4 43-01IN00	left	1	PR:D5V,D5Z
(3)	955 358 019 11	Discontinued part suspension strut complete See workshop manual Group 4 43-01IN00	left	1	PR:D5V,D5Z
(3)	955 358 019 20	suspension strut complete See workshop manual Group 4 43-01IN00	left	1	PR:D5V,E0W, E1T
(3)	955 358 019 21	Discontinued part suspension strut complete See workshop manual Group 4 43-01IN00	left	1	PR:D5V,E0W, E1T
(3)	955 358 020 00	suspension strut complete See workshop manual Group 4 43-01IN00	right	1	PR:D5X
(3)	955 358 020 01	Discontinued part suspension strut complete See workshop manual Group 4 43-01IN00	right	1	PR:D5X,1BK
(3)	955 358 020 02	Discontinued part suspension strut complete See workshop manual Group 4 43-01IN00	right	1	PR:D5X,1BK
(3)	955 358 020 01	suspension strut complete See workshop manual Group 4 43-01IN00	right	1	PR:D50,1BK
(3)	955 358 020 02	Discontinued part suspension strut complete See workshop manual Group 4 43-01IN00	right	1	PR:D50,1BK

Model: 9PA108

Model life 2007>>2010

Pos	Part Number	Description	Remark	Qty	Model
(3)	955 358 020 10	suspension strut complete See workshop manual Group 4 43-01IN00 Discontinued part	right	1	PR:D5V,D5Z
(3)	955 358 020 11	suspension strut complete See workshop manual Group 4 43-01IN00 Discontinued part	right	1	PR:D5V,D5Z
(3)	955 358 020 12	suspension strut complete See workshop manual Group 4 43-01IN00	right	1	PR:D5V,D5Z
(3)	955 358 020 20	suspension strut complete See workshop manual Group 4 43-01IN00 Discontinued part	right	1	PR:D5V,E0W, E1T
(3)	955 358 020 21	suspension strut complete See workshop manual Group 4 43-01IN00	right	1	PR:D5V,E0W, E1T
4	955 333 015 30	Bracket		2	
5	N 101 277 07	Hex collared bolt M 8 x 26		8	
6	N 909 664 02	Hexagon collar nut self-locking M 12 x 1,5		2	
7	955 343 018 10	Shock absorber bearing		2	
8	N 910 956 01	O-ring 96 x 4		2	
9	955 358 503 20	air spring Discontinued part		2	PR:D5X
(9)	955 358 503 21	air spring		2	PR:D5X,1BK
(9)	955 358 503 21	air spring		2	PR:D50,1BK
(9)	955 358 503 30	air spring Discontinued part		2	PR:D5V,D5Z
(9)	955 358 503 31	air spring Discontinued part		2	PR:D5V,D5Z
(9)	955 358 503 32	air spring		2	PR:D5V,D5Z
(9)	955 358 503 40	air spring Discontinued part		2	PR:D5V,E0W,
(9)	955 358 503 41	air spring		2	PR:D5V,E0W,
10	955 358 730 00	Residual press. control valve with: seal ring Discontinued part		2	
(10)	955 358 730 02	Residual press. control valve with: seal ring		2	
11	955 358 722 00	seal ring 8 x 1,5		2	
12	955 358 541 00	push-on connector Lines		2	
13	955 333 105 30	Stop buffer		2	
(13)	955 343 301 10	Stop buffer		2	PR:D5V,E0W, E1T
14	955 358 725 00	Clamp		2	
15	955 343 505 10	Bellows		2	
16	N 904 324 02	O-ring		2	

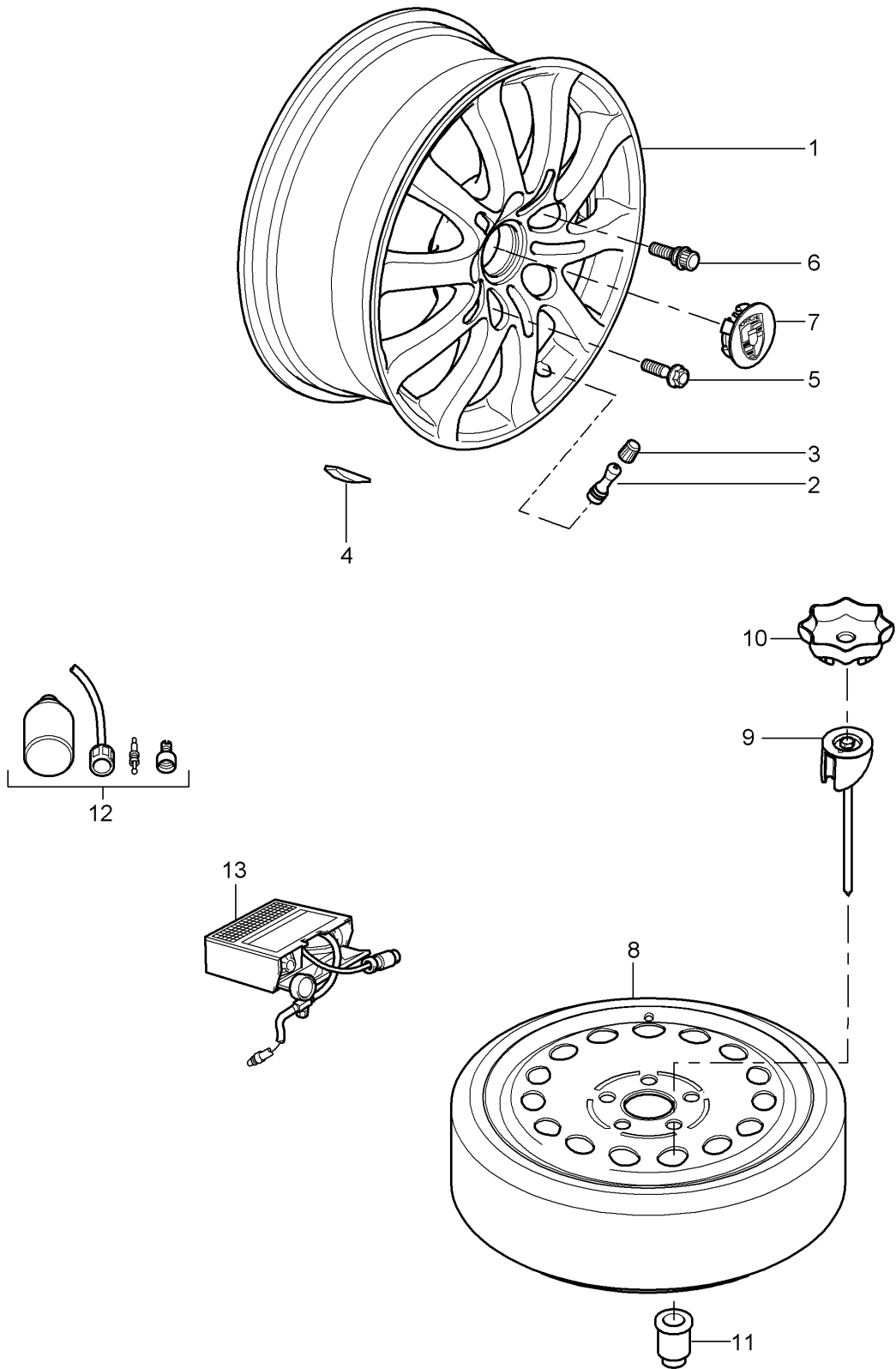
Model: 9PA108

Model life 2007>>2010

Pos	Part Number	Description	Remark	Qty	Model
17	955 333 051 60	70 x 4 Shock absorbers	left	1	
(17)	955 333 052 60	Shock absorbers	right	1	
18	955 333 421 01	Protective cap	left	1	
(18)	955 333 422 01	Protective cap	right	1	
19	N 023 002 12	hexagon nut, self-locking M 6		2	
20	N 908 476 02	Hex collared bolt M 10 X 25		8	
21	955 511 645 00	Clip		4	
22	N 105 924 02	Hex collared bolt M 12 X 1,5 X 120		2	
23	N 104 029 04	Hexagon nut M 12 X 1,5		2	
24	000 043 204 68	Grease Syntheso Glep 1 1 50-g tube		1	

Model: 9PA108

Model life 2007>>2010



Model: 9PA108 Model life 2007>>2010

Pos	Part Number	Description	Remark	Qty	Model
1	955 362 126 01	Wheels Alloy wheel 7,5 J X 17 ET 53		4	PR:CJ1
	955 362 126 01 9A1	silver			
1	955 362 126 01	Alloy wheel 7,5 J X 17 ET 53		5	PR:CJ1,1G3
	955 362 126 01 9A1	silver			
(1)	955 362 138 30	Alloy wheel 9 J X 19 ET 60		4	PR:CJ3,D5X
	955 362 138 30 9A1	silver			
(1)	955 362 138 30	Alloy wheel 9 J X 19 ET 60		4	PR:CJ3,D50
	955 362 138 30 9A1	silver			
(1)	955 362 138 30	Alloy wheel 9 J X 19 ET 60		5	PR:CJ3,1G3, D5X
	955 362 138 30 9A1	silver			
(1)	955 362 138 30	Alloy wheel 9 J X 19 ET 60		5	PR:CJ3,1G3, D50
	955 362 138 30 9A1	silver			
(1)	955 362 140 70	Alloy wheel 9 J X 20 ET 60		4	PR:CS5,D5X
	955 362 140 70 9A1	silver			
(1)	955 362 140 70	Alloy wheel 9 J X 20 ET 60		4	PR:CS5,D50
	955 362 140 70 9A1	silver			
(1)	955 362 140 70	Alloy wheel 9 J X 20 ET 60		5	PR:CS5,1G3, D5X
	955 362 140 70 9A1	silver			
(1)	955 362 140 70	Alloy wheel 9 J X 20 ET 60		5	PR:CS5,1G3, D50
	955 362 140 70 9A1	silver			
(1)	955 362 136 40	Alloy wheel 8 J X 18 ET 57		4	PR:C2R
	955 362 136 40 9A1	silver			
(1)	955 362 136 40	Alloy wheel 8 J X 18 ET 57		5	PR:C2R,1G3
	955 362 136 40 9A1	silver			
(1)	955 362 136 40	Alloy wheel 8 J X 18 ET 57		4	PR:E2D,C2R
	955 362 136 40 9A1	silver			
(1)	955 362 136 40	Alloy wheel 8 J X 18 ET 57		5	PR:E2D,C2R, 1G3
	955 362 136 40 9A1	silver			
(1)	955 362 136 40	Alloy wheel 8 J X 18 ET 57 modify in workshop Paint		4	PR:E2D,C2R, 6FM
	955 362 136 40 9A1	silver			

Model: 9PA108

Model life 2007>>2010

Pos	Part Number	Description	Remark	Qty	Model
(1)	955 362 136 40	Alloy wheel 8 J X 18 ET 57 modify in workshop Paint		5	PR:E2D,C2R, 1G3,6FM
(1)	955 362 136 40 9A1 955 362 136 40	silver Alloy wheel 8 J X 18 ET 57 modify in workshop Paint		4	PR:E2D,C2R, 6FI
(1)	955 362 136 40 9A1 955 362 136 40	silver Alloy wheel 8 J X 18 ET 57 modify in workshop Paint		5	PR:E2D,C2R, 1G3,6FI
(1)	955 362 136 40 9A1 955 362 136 40	silver Alloy wheel 8 J X 18 ET 57 modify in workshop Paint		4	PR:E2D,C2R, 6FP
(1)	955 362 136 40 9A1 955 362 136 40	silver Alloy wheel 8 J X 18 ET 57 modify in workshop Paint		5	PR:E2D,C2R, 1G3,6FP
(1)	955 362 136 40 9A1 955 362 136 50	silver Alloy wheel 8 J X 18 ET 57		4	PR:CD3
(1)	955 362 136 50 9A1 955 362 136 50	silver Alloy wheel 8 J X 18 ET 57		5	PR:CD3,1G3
(1)	955 362 136 50 9A1 955 362 138 20	silver Alloy wheel 9 J x 19 ET 60		4	PR:CJ3,D5V, D5Z
(1)	955 362 138 20 9A1 955 362 138 20	silver Alloy wheel 9 J x 19 ET 60		5	PR:CJ3,D5V, D5Z,1G3
(1)	955 362 138 20 9A1 955 362 140 80	silver Alloy wheel 9 J X 20 ET 60		4	PR:CS5,D5V, D5Z
(1)	955 362 140 80 9A1 955 362 140 80	silver Alloy wheel 9 J X 20 ET 60		5	PR:CS5,D5V, D5Z,1G3
(1)	955 362 140 80 9A1 955 362 140 90	silver Alloy wheel 9 J X 20 ET 60	front	2	PR:CY3
(1)	955 362 140 90 9A1 955 362 140 90	silver Alloy wheel 9 J X 20 ET 60 modify in workshop	front	2	PR:CY4

Model: 9PA108 Model life 2007>>2010

Pos	Part Number	Description	Remark	Qty	Model
(1)	955 362 140 90 9A1 955 362 142 00	Paint silver Alloy wheel 10 J X 20 ET 55	rear	2	PR:CY3
(1)	955 362 142 00 9A1 955 362 142 00	silver Alloy wheel 10 J X 20 ET 55 modify in workshop Paint	rear	2	PR:CY4
(1)	955 362 142 00 9A1 955 362 156 00	silver Alloy wheel 10 J X 21 ET 50		4	PR:CY2
(1)	955 362 156 00 9A1 955 362 156 00	silver Alloy wheel 10 J X 21 ET 50		5	PR:CY2,1G3
(1)	955 362 156 00 9A1 955 362 158 00	silver Alloy wheel 10 J X 21 ET 50	front	2	PR:C9N
(1)	955 362 158 00 9A1 955 362 158 00	silver Alloy wheel 10 J X 21 ET 50 modify in workshop Paint	front	2	PR:C9S
(1)	955 362 158 00 9A1 955 362 158 00	silver Alloy wheel 10 J X 21 ET 50 modify in workshop Paint	front	2	PR:E2D,C4I, C4P
(1)	955 362 158 00 9A1 955 362 162 00	silver Alloy wheel 10 J X 21 ET 45	rear	2	PR:C9N
(1)	955 362 162 00 9A1 955 362 162 00	silver Alloy wheel 10 J X 21 ET 45 modify in workshop Paint	rear	2	PR:C9S
(1)	955 362 162 00 9A1 955 362 162 00	silver Alloy wheel 10 J X 21 ET 45 modify in workshop Paint	rear	2	PR:E2D,C4I, C4P
2	955 362 162 00 9A1 900 265 001 50	silver Rubber valve Discontinued part		4	
2	900 265 001 51	Rubber valve Discontinued part		4	
2	311 601 361	Rubber valve		4	
(2)	900 265 001 50	Rubber valve Discontinued part		5	PR:1G3
(2)	900 265 001 51	Rubber valve Discontinued part		5	PR:1G3
(2)	311 601 361	Rubber valve		5	PR:1G3
(2)		Valve		4	PR:7K3,7K4

Model: 9PA108

Model life 2007>>2010

Pos	Part Number	Description	Remark	Qty	Model
		tyre pressure control system see illustration:	601-005		
3	955 361 163 00	Cap		4	
(3)	955 361 163 00	Cap		5	PR:1G3
4	997 361 405 00	Balancer weight (self-adhesive) 5 G.		X	
(4)	997 361 410 00	Balancer weight (self-adhesive) 10 G.		X	
(4)	997 361 415 00	Balancer weight (self-adhesive) 15 G.		X	
(4)	997 361 420 00	Balancer weight (self-adhesive) 20 G.		X	
(4)	997 361 425 00	Balancer weight (self-adhesive) 25 G.		X	
(4)	997 361 430 00	Balancer weight (self-adhesive) 30 G.		X	
(4)	997 361 435 00	Balancer weight (self-adhesive) 35 G.		X	
(4)	997 361 440 00	Balancer weight (self-adhesive) 40 G.		X	
(4)	997 361 445 00	Balancer weight (self-adhesive) 45 G.		X	
(4)	997 361 450 00	Balancer weight (self-adhesive) 50 G.		X	
(4)	997 361 455 00	Balancer weight (self-adhesive) 55 G.		X	
(4)	997 361 460 00	Balancer weight (self-adhesive) 60 G.		X	
5	WHT 001 693	Wheel bolt		16	
5	WHT 001 693	Wheel bolt		20	PR:1G3
6	955 361 057 10	Wheel bolt Anti-theft protection 1 set comprising: Wheel bolt Adapter		1	
(6)	955 361 057 20	Wheel bolt Anti-theft protection 1 set comprising: Wheel bolt Adapter		1	PR:B0N "GB."
(6)	955 361 057 30	Wheel bolt Anti-theft protection 1 set comprising: Wheel bolt Adapter		1	PR:B0N,1G3 "GB."
(6)	955 361 957 10	Wheel bolt Anti-theft protection 1 set		5	
				1	
				1	

Model: 9PA108 Model life 2007>>2010

Pos	Part Number	Description	Remark	Qty	Model
		comprising:			
		Wheel bolt		1	
		Adapter		1	
		Note coding			
	955 361 957 10 050	Wheel bolt			
	955 361 957 10 051	Wheel bolt			
	955 361 957 10 052	Wheel bolt			
	955 361 957 10 053	Wheel bolt			
	955 361 957 10 054	Wheel bolt			
	955 361 957 10 055	Wheel bolt			
	955 361 957 10 056	Wheel bolt			
	955 361 957 10 057	Wheel bolt			
	955 361 957 10 058	Wheel bolt			
	955 361 957 10 059	Wheel bolt			
	955 361 957 10 060	Wheel bolt			
	955 361 957 10 061	Wheel bolt			
	955 361 957 10 062	Wheel bolt			
	955 361 957 10 063	Wheel bolt			
	955 361 957 10 064	Wheel bolt			
	955 361 957 10 065	Wheel bolt			
	955 361 957 10 066	Wheel bolt			
	955 361 957 10 067	Wheel bolt			
	955 361 957 10 068	Wheel bolt			
	955 361 957 10 069	Wheel bolt			
(6)	955 361 957 20	Wheel bolt		1	PR:BON
		Anti-theft protection			"GB."
		1 set			
		comprising:			
		Wheel bolt		1	
		Adapter		1	
		Note coding			
		No longer use the part here			
	955 361 957 20 070	Wheel bolt			
	955 361 957 20 071	Wheel bolt			
	955 361 957 20 072	Wheel bolt			
	955 361 957 20 073	Wheel bolt			
	955 361 957 20 074	Wheel bolt			
	955 361 957 20 075	Wheel bolt			
	955 361 957 20 076	Wheel bolt			
	955 361 957 20 077	Wheel bolt			
	955 361 957 20 078	Wheel bolt			
	955 361 957 20 079	Wheel bolt			
	955 361 957 20 080	Wheel bolt			
	955 361 957 20 081	Wheel bolt			
	955 361 957 20 082	Wheel bolt			
	955 361 957 20 083	Wheel bolt			
	955 361 957 20 084	Wheel bolt			
	955 361 957 20 085	Wheel bolt			
	955 361 957 20 086	Wheel bolt			
	955 361 957 20 087	Wheel bolt			
	955 361 957 20 088	Wheel bolt			
	955 361 957 20 089	Wheel bolt			
(6)	955 361 209 00	Adapter		1	PR:BON
		for			"GB."
		Wheel bolt			
		Anti-theft protection			
		Note coding			
	955 361 209 00 070	Adapter			
	955 361 209 00 071	Adapter			
	955 361 209 00 072	Adapter			
	955 361 209 00 073	Adapter			
	955 361 209 00 074	Adapter			
	955 361 209 00 075	Adapter			

Model: 9PA108 Model life 2007>>2010

Pos	Part Number	Description	Remark	Qty	Model
	955 361 209 00 076	Adapter			
	955 361 209 00 077	Adapter			
	955 361 209 00 078	Adapter			
	955 361 209 00 079	Adapter			
	955 361 209 00 080	Adapter			
	955 361 209 00 081	Adapter			
7	955 361 303 00	Hub cap Round Concave Porsche crest Black		4	PR:CJ1,CD3, C2R
	955 361 303 00 9A1	silver			
7	955 361 303 00	Hub cap Round Concave Porsche crest Black		4	PR:CY2,CY3
	955 361 303 00 9A1	silver			
7	955 361 303 00	Hub cap Round Concave Porsche crest Black		5	PR:CJ1,CD3, C2R,1G3
	955 361 303 00 9A1	silver			
(7)	955 361 303 02	Hub cap Star shaped Porsche crest Black		4	PR:CJ3,CS5
	955 361 303 02 9A1	silver			
(7)	955 361 303 02	Hub cap Star shaped Porsche crest Black		5	PR:CJ3,CS5, 1G3
	955 361 303 02 9A1	silver			
(7)	955 361 303 05	Hub cap Round Concave Porsche crest Coloured		4	PR:CJ1,C2R, CD3
	955 361 303 05 9A1	silver			
(7)	955 361 303 05	Hub cap Round Concave Porsche crest Coloured		4	PR:CY2,CY3, CY4
	955 361 303 05 9A1	silver			
(7)	955 361 303 05	Hub cap Round Concave Porsche crest Coloured		4	PR:C9N
	955 361 303 05 9A1	silver			
(7)	955 361 303 05	Hub cap Round Concave Porsche crest Coloured		5	PR:CJ1,C2R, CD3,1G3
	955 361 303 05 9A1	silver			
(7)	955 361 303 20	Hub cap Round Concave		4	PR:C9S

Model: 9PA108 Model life 2007>>2010

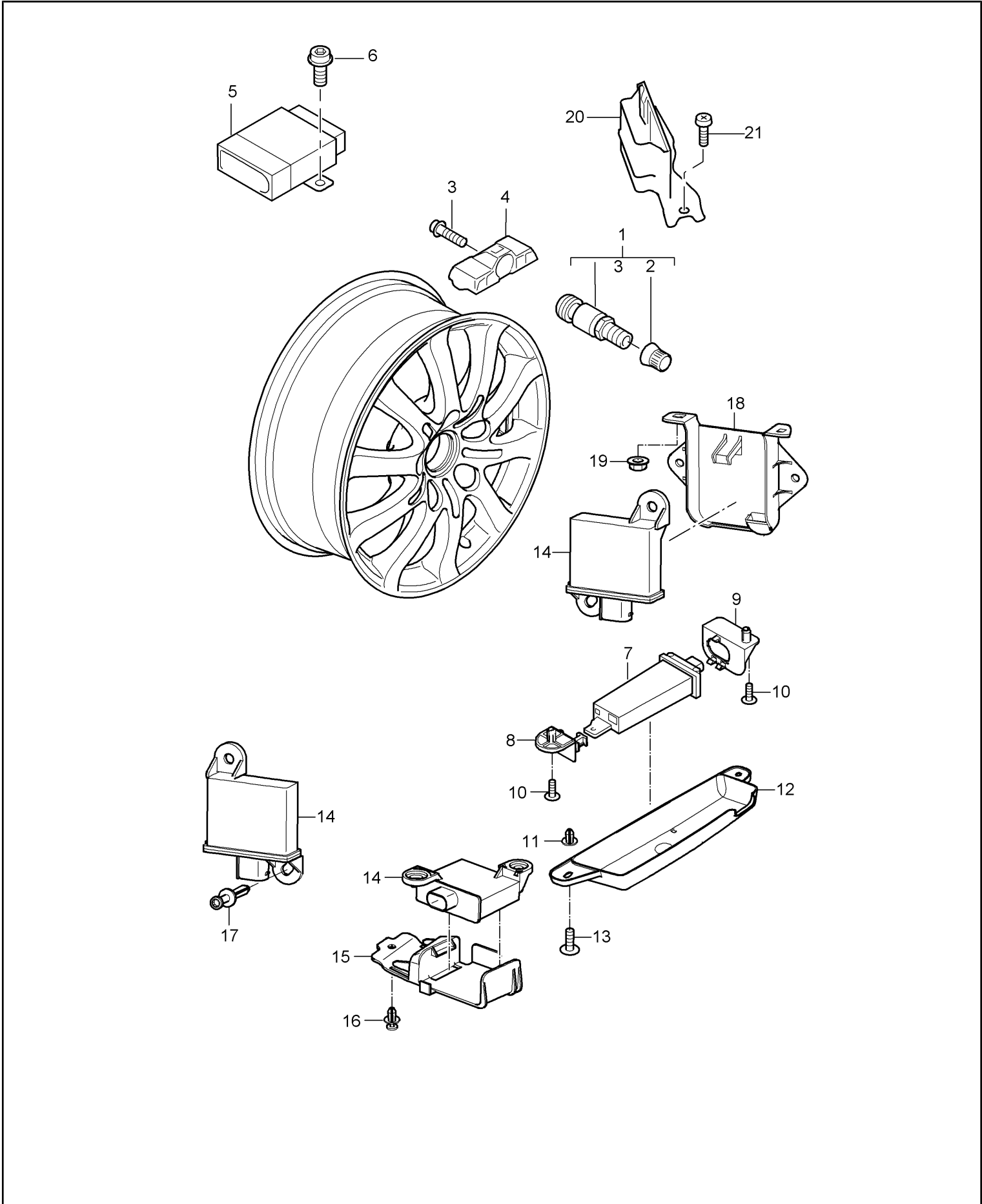
Pos	Part Number	Description	Remark	Qty	Model
(7)	955 361 303 20 9A1 955 361 303 20	Porsche crest Coloured modify in workshop Paint silver Hub cap Round Concave Porsche crest Coloured modify in workshop Paint silver		4	PR:C4I,C4P
(7)	955 361 303 20 9A1 955 361 303 20	Hub cap Round Concave Porsche crest Coloured modify in workshop Paint silver		4	PR:E2D,C2R, 6FI,6FP
(7)	955 361 303 20 9A1 955 361 303 20	Hub cap Round Concave Porsche crest Coloured modify in workshop Paint silver		5	PR:E2D,C2R, 1G3,6FI,6FP
(7)	955 361 303 20 9A1 955 361 303 20	Hub cap Round Concave Porsche crest Coloured modify in workshop Paint silver		4	PR:CJ1,C2R, CD3,CY2,CY3, CY4,C9N
(7)	955 361 303 20 9A1 955 361 303 20	Hub cap Round Concave Porsche crest Coloured modify in workshop Paint silver		5	PR:CJ1,C2R, CD3,CY2,CY3, CY4,C9N,1G3
(7)	955 361 303 20 9A1 955 361 303 20	Hub cap Round Concave Porsche crest Coloured modify in workshop Paint silver		4	PR:E2D,CD3, CY2
(7)	955 361 303 20 9A1 955 361 303 20	Hub cap Round Concave Porsche crest Coloured modify in workshop Paint silver		4	PR:E2D,C2R, 6FI,6FM,6FP
(7)	955 361 303 20 9A1 955 361 303 20	Hub cap Round Concave Porsche crest Coloured modify in workshop Paint silver		5	PR:E2D,CD3, CY2,1G3

Model: 9PA108 Model life 2007>>2010

Pos	Part Number	Description	Remark	Qty	Model
(7)	955 361 303 20 9A1 955 361 303 20	Paint silver Hub cap Round Concave Porsche crest Coloured modify in workshop Paint		5	PR:E2D,C2R, 6FI,6FM,6FP, 1G3
(7)	955 361 303 20 9A1 955 361 303 30	silver Hub cap Star shaped Porsche crest Coloured		4	PR:CJ3,CS5
(7)	955 361 303 30 9A1 955 361 303 30	silver Hub cap Star shaped Porsche crest Coloured		5	PR:CJ3,CS5, 1G3
8	955 361 303 30 9A1 955 362 050 11	silver Spare wheel with collapsible tire 6,5 J X 18 ET 53 Discontinued part		1	PR:1G1
8	955 362 050 12	Spare wheel with collapsible tire 6,5 J X 18 ET 53		1	PR:1G1
(8)	955 362 050 20	Spare wheel with collapsible tire 6,5 B X 19 ET 43,5 D - MJ 2009>>		1	PR:1G4
9	955 362 533 11	Securing element		1	PR:1G1
(9)	955 362 533 20	Securing element D - MJ 2009>>		1	PR:1G4
10	955 362 645 10	handle D >> - MJ 2008		1	PR:1G1
(10)	955 362 645 10	handle D - MJ 2009>>		1	PR:1G1,1G4
11	N 904 085 04	rivetted cap nut AM 8 D >> - MJ 2008		1	PR:1G1
(11)	N 904 085 04	rivetted cap nut AM 8 D - MJ 2009>>		1	PR:1G1,1G4
12	955 722 631 00	Compressed air bottle with: Sealing compound Discontinued part		1	PR:1G8
12	4L0 012 619 A	Tyre sealant with: Sealing compound		1	PR:1G8
13	955 652 053 01	Compressor		1	PR:1BA,1BW, 1G1,1G6,1G8

Model: 9PA108

Model life 2007>>2010

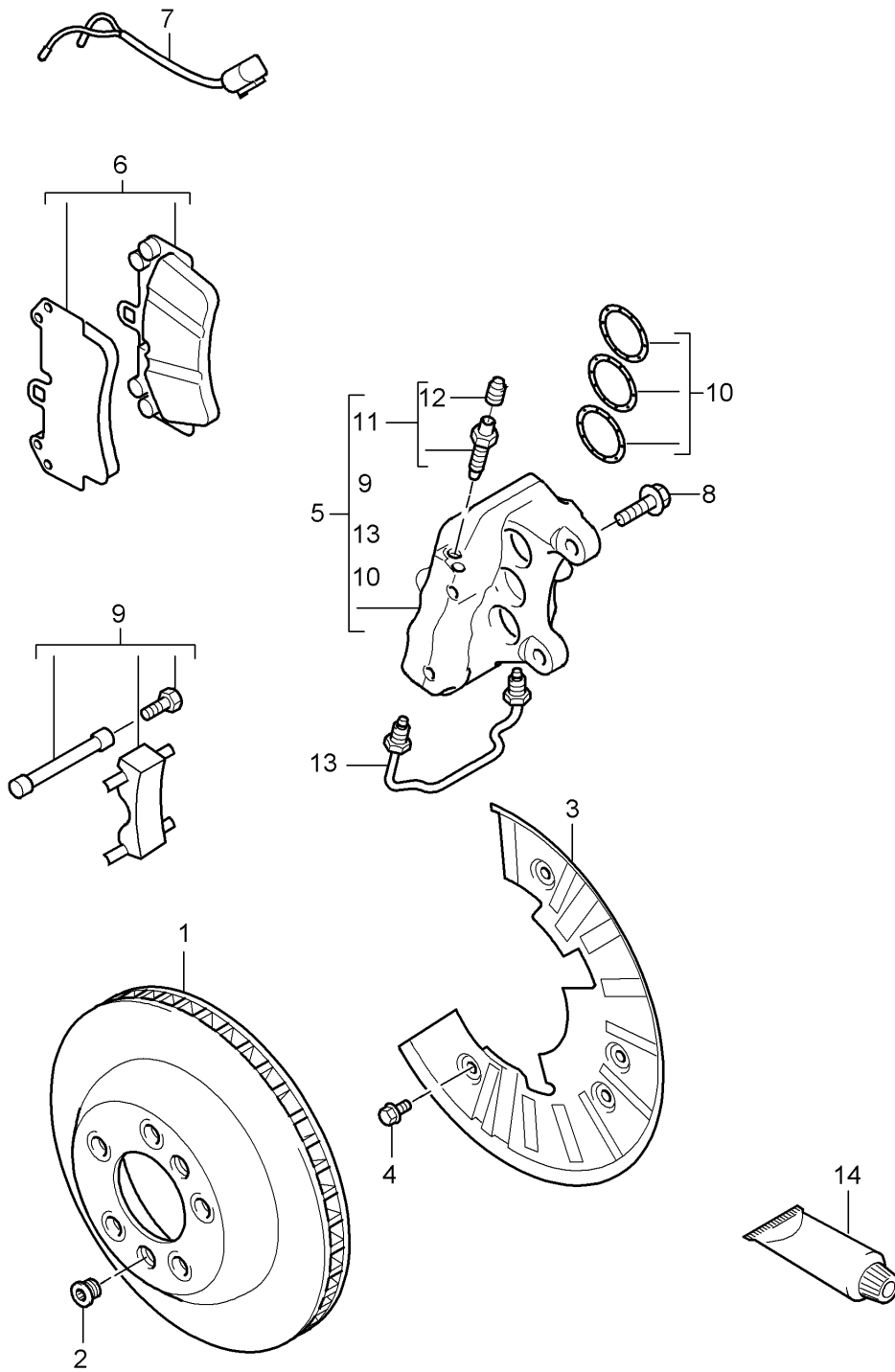


Model: 9PA108 Model life 2007>>2010

Pos	Part Number	Description	Remark	Qty	Model
1	955 361 053 00	tyre pressure control system Valve aluminium		4	PR:7K3,7K4
(1)	9P1 601 361 A	Discontinued part Valve aluminium		4	
2	N 908 729 01	Valve cap for valve unit		4	
3	4D0 601 365	Hexagon socket head bolt, self-locking		4	
4	955 606 021 00	Sensor		4	PR:7K3
		also use:	955 361 053 00	X	
(4)	955 606 021 01	Discontinued part Sensor		4	PR:7K3
		also use:	955 361 053 00	X	
(4)	955 606 023 00	Sensor		4	PR:7K4
		also use:	955 361 053 00	X	
(4)	955 606 023 01	Discontinued part Sensor		4	PR:7K4
		also use:	955 361 053 00	X	
(4)	7PP 907 275 G	Discontinued part Tyre pressure sensor		4	PR:7K4
		also use:	955 361 053 00	X	
5	955 618 103 00	Control unit		1	
6	N 102 480 03	tyre pressure control system Socket head bolt with inner multipoint head M 6 X 14		2	
7	955 606 101 00	Aerial		1	PR:7K3
(7)	955 606 103 00	Aerial		1	PR:7K4
8	955 606 225 00	Clip		1	
9	955 606 427 00	Retainer for aerial		1	
10	955 606 226 00	Fastening screw		2	
11	WHT 002 110	expanding nut 6,0		2	PR:6EP,6ES, VR1
12	955 606 520 00	Cover cap		1	PR:6EP,6ES, VR1
13	N 908 082 01	Hexagon socket head panel bolt 6 X 18,5		2	PR:6EP,6ES, VR1
14	955 618 113 00	Sender for tyre pressure monitoring system		4	
15	955 606 141 00	Bracket	left front	1	
16	999 591 941 40	Spreader rivet		1	
17	955 606 428 00	Spreader rivet		2	
18	955 606 131 00	Bracket	rear	2	
19	N 904 953 01	Hexagon nut D 5		4	
20	955 618 165 00	Retainer for control unit tyre pressure control system	rhd	1	PR:L0R
-	999 591 941 40	Spreader rivet Mount	rhd	1	PR:L0R
21	955 423 157 10	Control unit tyre pressure control system Screw DG 6 X 18	rhd	1	PR:L0R

Model: 9PA108

Model life 2007>>2010



Model: 9PA108 Model life 2007>>2010

Pos	Part Number	Description	Remark	Qty	Model
1	955 351 401 41	Disc brake Front axle Brake disc	left front	1	PR:1LK
(1)	955 351 402 41	Brake disc also use:	N 906 854 03 right front	2 1	PR:1LK
(1)	955 351 401 51	Brake disc also use:	N 906 854 03 left front	2 1	PR:1LL
(1)	955 351 402 51	Brake disc also use:	N 906 854 03 right front	2 1	PR:1LL
(1)	955 351 403 00	Brake disc also use:	N 906 854 03 front	2 4	PR:1LP
(1)	955 351 401 51	D >> - MJ 2008 Brake disc also use:	N 906 854 03 left front	2 1	PR:1LM,E0W
(1)	955 351 402 51	Brake disc also use:	N 906 854 03 right front	2 1	PR:1LM,E0W
(1)	955 351 401 61	Brake disc also use:	N 906 854 03 left front	2 1	PR:1LH,E81
(1)	955 351 402 61	D >> - MJ 2008 Brake disc also use:	N 906 854 03 right front	2 1	PR:1LH,E81
(1)	955 351 401 61	D >> - MJ 2008 Brake disc also use:	N 906 854 03 left front	2 1	PR:1LH
(1)	955 351 402 61	D - MJ 2009>> Brake disc also use:	N 906 854 03 right front	2 1	PR:1LH
(1)	955 351 031 00	D - MJ 2009>> Brake disc also use:	N 906 854 03 left front	2 1	PR:1LX
(1)	958 351 031 50	TI 4651 D - MJ 2009>> Discontinued part Brake disc also use:	N 906 854 03 left front	2 1	PR:1LX
(1)	955 351 032 00	note: TI 4651 D - MJ 2009>> Brake disc also use:	N 906 854 03 right front	2 1	PR:1LX
(1)	958 351 032 50	note: TI 4651 D - MJ 2009>> Discontinued part Brake disc also use:	N 906 854 03 right front	2 1	PR:1LX
2	N 910 282 02	D - MJ 2009>> Socket head bolt with hexagon socket head M 12 X 1,5 X 19,3		2	
(3)	955 351 801 20	Cover plate		2	PR:1LK,1LL
(3)	955 351 801 51	Cover plate D >> - MJ 2008		2	PR:1LP
(3)	955 351 801 20	Cover plate		2	PR:1LM,E0W
(3)	955 351 801 51	Cover plate D >> - MJ 2008		2	PR:1LH,E81
(3)	955 351 801 51	Cover plate D - MJ 2009>>		2	PR:1LH
(3)	955 351 801 60	Cover plate D - MJ 2009>>	left	1	PR:1LX

Model: 9PA108 Model life 2007>>2010

Pos	Part Number	Description	Remark	Qty	Model
(3)	955 351 802 60	Cover plate D - MJ 2009>>	right	1	PR:1LX
4	N 010 237 14	Hexagon bolt M 8 X 12		6	
5	955 351 421 33	caliper without brake pads Black Anodised	left	1	PR:1LK
(5)	955 351 422 33	caliper without brake pads Black Anodised	right	1	PR:1LK
(5)	955 351 421 53	caliper without brake pads silver Lacquered	left	1	PR:1LL
(5)	955 351 422 53	caliper without brake pads silver Lacquered	right	1	PR:1LL
(5)	955 351 421 70	caliper without brake pads red Lacquered	left	1	PR:1LP
(5)	955 351 422 70	caliper without brake pads red Lacquered	right	1	PR:1LP
(5)	955 351 421 22	caliper without brake pads red Lacquered	left	1	PR:1LM,E0W
(5)	955 351 422 22	caliper without brake pads red Lacquered	right	1	PR:1LM,E0W
(5)	955 351 421 61	caliper without brake pads red Lacquered	left	1	PR:1LH,E81
(5)	955 351 422 61	caliper without brake pads red Lacquered	right	1	PR:1LH,E81
(5)	955 351 421 61	caliper without brake pads red Lacquered	left	1	PR:1LH
(5)	955 351 422 61	caliper without brake pads red Lacquered	right	1	PR:1LH
(5)	955 351 421 80	caliper without brake pads yellow Lacquered	left	1	PR:1LX

Model: 9PA108 Model life 2007>>2010

Pos	Part Number	Description	Remark	Qty	Model
		also use:	N 906 854 03	2	
			955 351 959 10	1	
(5)	955 351 422 80	D - MJ 2009>> caliper without brake pads yellow Lacquered	right	1	PR:1LX
		also use:	N 906 854 03	2	
			955 351 959 10	1	
6	955 351 939 04	D - MJ 2009>> 1 set of brake pads for disk brake comprising: Brake lining	front	1	PR:1LK
				4	
		also use:			
(6)	955 351 939 05	Fasteners 1 set of brake pads for disk brake comprising: Brake lining	front	1	PR:1LK
				4	
		also use:			
(6)	955 351 939 14	Fasteners 1 set of brake pads for disk brake comprising: Brake lining	front	1	PR:1LL
				4	
		also use:			
(6)	955 351 939 15	Fasteners 1 set of brake pads for disk brake comprising: Brake lining	front	1	PR:1LL
				4	
		also use:			
(6)	955 351 939 61	Fasteners 1 set of brake pads for disk brake	front	1	PR:1LP
				4	
		comprising:		4	
		Brake lining	N 906 854 03	2	
		also use:	955 351 959 10		
(6)	955 351 939 62	No longer use the part here 1 set of brake pads for disk brake comprising: Brake lining	front	1	PR:1LP
				4	
				4	
		also use:	N 906 854 03	4	
			955 351 959 10	2	
			955 351 933 00	2	
(6)	955 351 939 14	D >> - MJ 2008 1 set of brake pads for disk brake comprising: Brake lining	front	1	PR:1LM,E0W
				4	
		also use:			
		Fasteners Discontinued part			
(6)	955 351 939 15	1 set of brake pads for disk brake comprising: Brake lining	front	1	PR:1LM,E0W
				4	
		also use:			
(6)	955 351 939 50	Fasteners 1 set of brake pads for disk brake comprising:	front	1	PR:1LH,E81
				4	

Model: 9PA108 Model life 2007>>2010

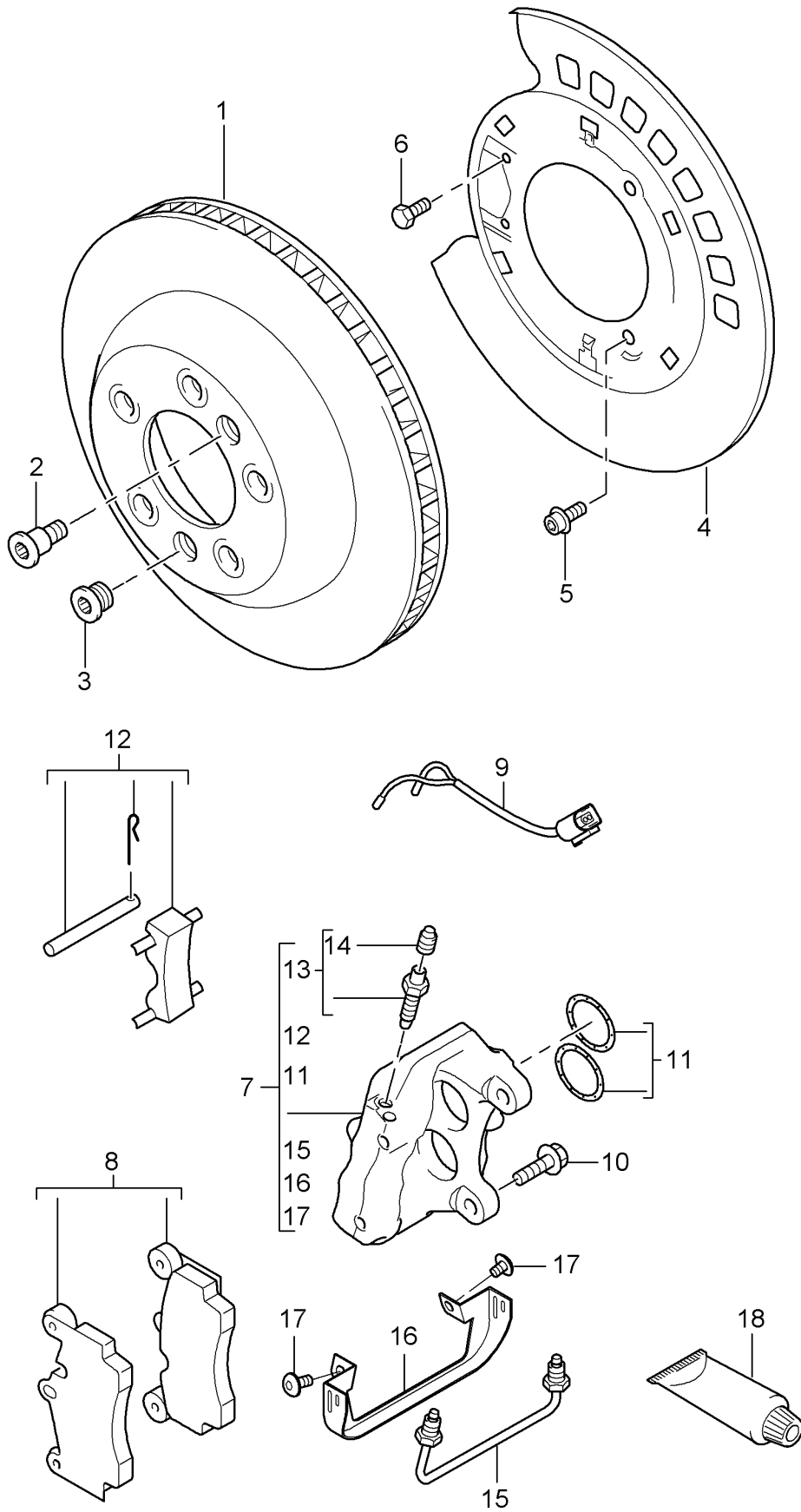
Pos	Part Number	Description	Remark	Qty	Model
(6)	955 351 939 51	Brake lining also use: Fasteners Discontinued part 1 set of brake pads for disk brake comprising: Brake lining	front	1 4	PR:1LH,E81
(6)	955 351 939 50	also use: Fasteners 1 set of brake pads for disk brake comprising: Brake lining	front	1 4	PR:1LH
(6)	955 351 939 51	also use: Fasteners Discontinued part 1 set of brake pads for disk brake comprising: Brake lining	front	1 4	PR:1LH
(6)	955 351 939 70	also use: Fasteners 1 set of brake pads for disk brake comprising: Brake lining	front	1 4 4 2 2	PR:1LX
7	955 612 365 00	D - MJ 2009>> sender wire (pad wear indicator)		2	PR:1LK,1LL
(7)	955 612 365 60	sender wire (pad wear indicator)		2	PR:1LP
			955 351 933 00	2	
(7)	955 612 365 00	use if required: sender wire (pad wear indicator)		2	PR:1LM,E0W
(7)	955 612 365 50	sender wire (pad wear indicator)		2	PR:1LH,E81
(7)	955 612 365 50	D >> - MJ 2008 sender wire (pad wear indicator)		2	PR:1LH
(7)	955 612 365 80	D - MJ 2009>> sender wire (pad wear indicator)		2	PR:1LX
			955 351 933 00	2	
(7)	955 612 365 81	use if required: Discontinued part sender wire (pad wear indicator)		2	PR:1LX
			955 351 933 00	2	
-	944 612 627 00	use if required: Line holder for Warning contact D >> - MJ 2008		2	PR:1LP
-	944 612 627 00	Line holder for Warning contact D >> - MJ 2008		2	PR:1LH,E81
-	944 612 627 00	Line holder for		2	PR:1LH

Model: 9PA108 Model life 2007>>2010

Pos	Part Number	Description	Remark	Qty	Model
8	N 906 854 03	Warning contact D - MJ 2009>> Hexagon bolt M 16 X 1,5 X 48		4	
9	955 351 959 00	Repair set for front axle Fasteners comprising: radius rod Spring lock screw		1	PR:1LK,1LL
(9)	955 351 959 10	Repair set for front axle Spring comprising: Spring for Fixed calliper		2	PR:1LP
(9)	955 351 959 10	D >> - MJ 2008 Repair set for front axle Spring comprising: Spring for Fixed calliper		2	PR:1LX
(9)	955 351 933 00	D - MJ 2009>> Support Cable guide brake pad wear display Fixed calliper		2	PR:1LP
(9)	955 351 933 00	D >> - MJ 2008 Support Cable guide brake pad wear display Fixed calliper		2	PR:1LX
(9)	955 351 959 00	D - MJ 2009>> Repair set for front axle Fasteners comprising: radius rod Spring lock screw		1	PR:1LM,E0W
(9)	955 351 959 50	Repair set for front axle Fasteners comprising: radius rod Spring lock screw		1	PR:1LH,E81
(9)	955 351 959 50	D >> - MJ 2008 Repair set for front axle Fasteners comprising: radius rod Spring lock screw		1	PR:1LH
10	955 351 915 01	D - MJ 2009>> repair set Protection caps 34/36/38 MM for Fixed calliper		2	PR:1LK
(10)	955 351 915 10	repair set Protection caps 30/34/38 MM for		2	PR:1LL

Model: 9PA108 Model life 2007>>2010

Pos	Part Number	Description	Remark	Qty	Model
(10)	955 351 915 20	Fixed calliper repair set Protection caps 36 MM for Fixed calliper D >> - MJ 2008		1 2	PR:1LP
(10)	955 351 915 20	repair set Protection caps 36 MM for Fixed calliper D - MJ 2009>>		2 1	PR:1LX
(10)	955 351 915 10	repair set Protection caps 30/34/38 MM for Fixed calliper		2 1	PR:1LM,E0W
(10)	955 351 915 50	repair set Protection caps 32/36/38 MM for Fixed calliper D >> - MJ 2008		2 1	PR:1LH,E81
(10)	955 351 915 50	repair set Protection caps 32/36/38 MM for Fixed calliper D - MJ 2009>>		2 1	PR:1LH
11	930 351 919 00	Breather valve		4	
		with:			
12	930 351 927 00	dust cap		4	
12	930 351 927 01	Discontinued part dust cap		4	
13	955 351 961 00	Connecting line		2	PR:1LK
(13)	955 351 961 10	Connecting line		2	PR:1LL
(13)	955 351 961 20	Connecting line D >> - MJ 2008		2	PR:1LP
(13)	955 351 961 10	Connecting line		2	PR:1LM,E0W
(13)	955 351 961 50	Connecting line D >> - MJ 2008		2	PR:1LH,E81
(13)	955 351 961 50	Connecting line D - MJ 2009>>		2	PR:1LH
(13)	970 351 961 10	Connecting line D - MJ 2009>>	left	1	PR:1LX
(13)	970 351 962 10	Connecting line D - MJ 2009>>	right	1	PR:1LX
14	000 043 117 00	brake cylinder paste 1 50-g tube		X	
(14)	000 043 020 00	Assembly paste 1 100-gramme tube		X	



Model: 9PA108 Model life 2007>>2010

Pos	Part Number	Description	Remark	Qty	Model
1	955 352 401 31	Disc brake Rear axle Brake disc	rear	2	PR:1KW,1KY
(1)	955 352 403 00	Brake disc	also use: N 105 556 02	4	
(1)	955 352 401 31	Brake disc	rear	2	PR:1KP
(1)	955 352 031 00	Brake disc	also use: N 105 556 02	4	
(1)	955 352 031 00	Brake disc	rear	2	PR:1KZ,E0W
(1)	955 352 031 00	Brake disc	also use: N 105 556 02	4	
(1)	955 352 031 00	Brake disc	left rear	1	PR:2EH
(1)	955 352 032 00	D - MJ 2009>> Brake disc	also use: N 105 556 02	2	
(1)	955 352 032 00	Brake disc	right rear	1	PR:2EH
(1)	955 352 032 00	Brake disc	also use: N 105 556 02	2	
2	N 910 282 02	D - MJ 2009>> Socket head bolt with hexagon socket head		2	
3	N 910 380 02	M 12 X 1,5 X 19,3 sealing plug		2	
4	955 352 801 20	M 12 X 1,5 X 5,0 back plate	left	1	PR:1KW,1KY
(4)	955 352 802 20	back plate	right	1	PR:1KW,1KY
(4)	955 352 801 60	back plate	left	1	PR:1KP
(4)	955 352 802 60	back plate	right	1	PR:1KP
(4)	955 352 801 20	back plate	left	1	PR:1KZ,E0W
(4)	955 352 802 20	back plate	right	1	PR:1KZ,E0W
(4)	955 352 801 70	back plate	left	1	PR:2EH
(4)	955 352 802 70	D - MJ 2009>> back plate	right	1	PR:2EH
5	N 105 724 03	D - MJ 2009>> Socket head bolt with multi- point inner drive, self-lock.		4	
6	N 909 768 02	M 8 X 16 Hexagon bolt		4	
7	955 352 421 32	M 6 X 12 caliper without brake pads Black Anodised	left	1	PR:1KW
(7)	955 352 422 32	caliper without brake pads Black Anodised	also use: N 105 556 02	2	
(7)	955 352 421 42	caliper without brake pads silver Lacquered	right	1	PR:1KW
(7)	955 352 421 42	caliper without brake pads silver Lacquered	also use: N 105 556 02	2	
(7)	955 352 422 42	caliper without brake pads silver Lacquered	left	1	PR:1KY
(7)	955 352 422 42	caliper without brake pads silver Lacquered	right	1	PR:1KY
(7)	955 352 421 70	caliper without brake pads red Lacquered	also use: N 105 556 02	2	
(7)	955 352 421 70	caliper without brake pads red Lacquered	left	1	PR:1KP
(7)	955 352 422 70	caliper without brake pads red Lacquered	also use: N 105 556 02 955 352 959 10	2	
(7)	955 352 422 70	caliper without brake pads red Lacquered	right	1	PR:1KP
(7)	955 352 421 51	caliper without brake pads red Lacquered	also use: N 105 556 02 955 352 959 10	2	
(7)	955 352 421 51	caliper without brake pads red Lacquered	left	1	PR:1KZ,E0W

Model: 9PA108 Model life 2007>>2010

Pos	Part Number	Description	Remark	Qty	Model
(7)	955 352 422 51	also use: caliper without brake pads red Lacquered	N 105 556 02 right	2 1	PR:1KZ,E0W
(7)	955 352 421 80	also use: caliper without brake pads yellow Lacquered	N 105 556 02 left	2 1	PR:2EH
(7)	955 352 422 80	also use: D - MJ 2009>> caliper without brake pads yellow Lacquered	N 105 556 02 right	2 1	PR:2EH
(8)	955 352 939 02	also use: D - MJ 2009>> 1 set of brake pads for disk brake comprising: Brake lining	N 105 556 02 rear	2 1 4	PR:1KW,1KY
(8)	955 352 939 03	also use: Fasteners Discontinued part 1 set of brake pads for disk brake comprising: Brake lining	N 105 556 02 rear	2 1 4	PR:1KW,1KY
(8)	955 352 939 61	also use: Fasteners 1 set of brake pads for disk brake comprising: Brake lining	N 105 556 02 rear	2 1 4	PR:1KP
(8)	955 352 939 62	also use: No longer use the part here 1 set of brake pads for disk brake comprising: Brake lining	N 105 556 02 rear	2 1 4	PR:1KP
(8)	955 352 939 63	also use: D >> - MJ 2009 Discontinued part 1 set of brake pads for disk brake comprising: Brake lining	N 105 556 02 rear	2 1 4	PR:1KP
(8)	955 352 939 64	also use: D - MJ 2010>> Discontinued part 1 set of brake pads for disk brake comprising: Brake lining	N 105 556 02 rear	2 1 4	PR:1KP
(8)	955 352 939 02	also use: D - MJ 2010>> 1 set of brake pads for disk brake comprising: Brake lining	N 105 556 02 rear	2 1 4	PR:1KZ,E0W
(8)	955 352 939 03	also use: Fasteners Discontinued part 1 set of brake pads for disk brake	N 105 556 02 rear	2 1	PR:1KZ,E0W

Model: 9PA108 Model life 2007>>2010

Pos	Part Number	Description	Remark	Qty	Model
		comprising: Brake lining		4	
		also use:			
(8)	955 352 939 70	Fasteners 1 set of brake pads for disk brake	rear	1	PR:2EH
		comprising: Brake lining		4	
		also use:	N 105 556 02	4	
			970 352 959 00	2	
9	955 612 365 30	D - MJ 2009>> sender wire (pad wear indicator)		2	PR:1KW,1KY
(9)	955 612 365 70	sender wire (pad wear indicator)		2	PR:1KP
(9)	955 612 365 30	sender wire (pad wear indicator)		2	PR:1KZ,E0W
(9)	955 612 365 70	sender wire (pad wear indicator)		2	PR:2EH
10	N 105 556 02	D - MJ 2009>> Socket head bolt with inner multipoint head		4	
11	955 352 915 00	M 14 X 1,5 X 40 Repair set for rear axle		2	PR:1KW,1KY
		Protection caps for		1	
(11)	955 352 915 10	Fixed calliper Repair set for rear axle		2	PR:1KP
		Protection caps for		1	
(11)	955 352 915 00	Fixed calliper Repair set for rear axle		2	PR:1KZ,E0W
		Protection caps for		1	
(11)	996 351 915 00	Fixed calliper repair set		2	PR:2EH
		Protection caps 32 MM for			
12	955 352 960 00	D - MJ 2009>> Repair set for rear axle		1	PR:1KW,1KY
		Fasteners		2	
		Locking pin		2	
		Spring		2	
(12)	955 352 959 10	securing spring Spring		2	PR:1KP
(12)	955 352 960 00	Repair set for rear axle		1	PR:1KZ,E0W
		Fasteners		2	
		Locking pin		2	
		Spring		2	
(12)	970 352 959 00	securing spring Spring		2	PR:2EH
13	930 351 919 00	D - MJ 2009>> Breather valve		4	
14	930 351 927 00	with: dust cap dust cap Discontinued part		4	

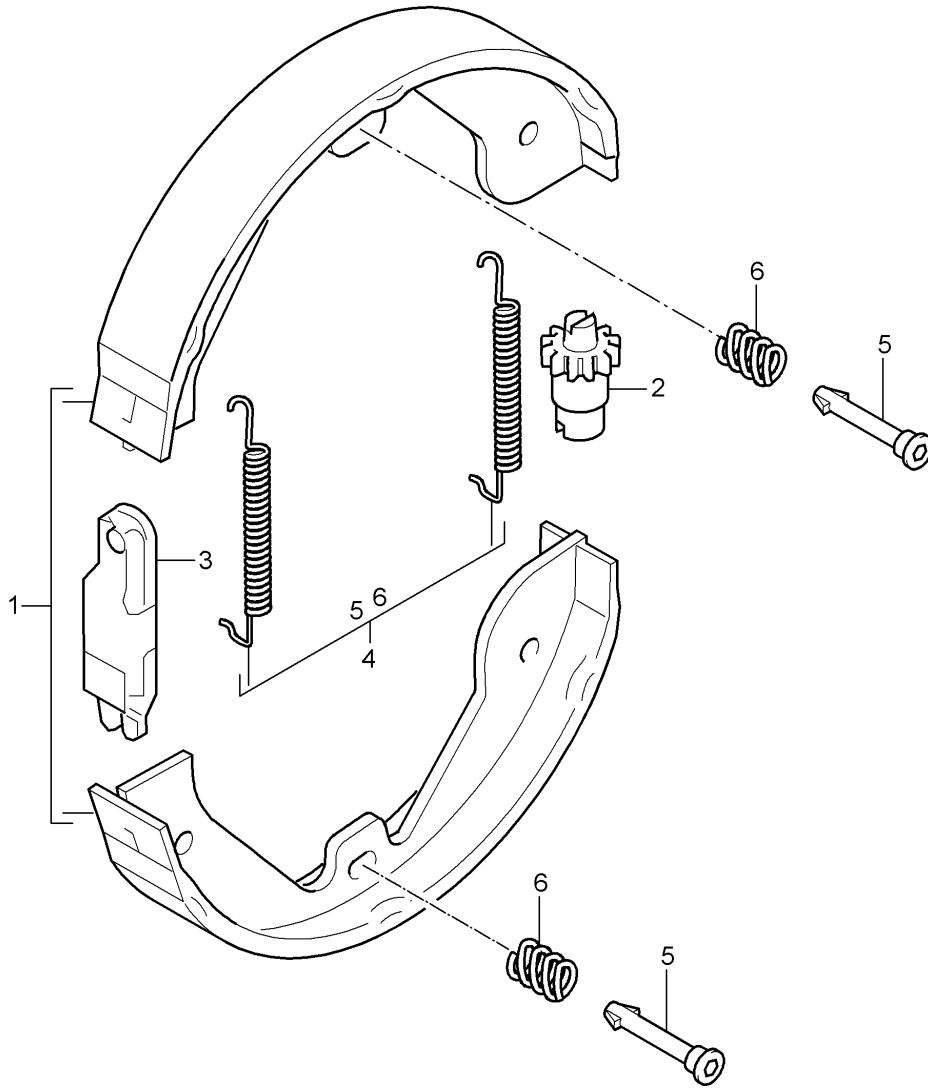
Model: 9PA108

Model life 2007>>2010

Pos	Part Number	Description	Remark	Qty	Model
14	930 351 927 01	dust cap		4	
15	955 352 961 20	Connecting line		2	PR:1KW,1KY
(15)	955 352 961 20	Connecting line		2	PR:1KZ,E0W
(15)	970 352 961 00	Connecting line D - MJ 2009>>		2	PR:2EH
16	955 352 963 00	Protective plate		2	PR:1KW,1KY
(16)	955 352 963 00	Protective plate Connecting line		2	PR:1KZ,E0W
17	N 104 056 04	Oval hexagon socket head bolt M 6 X 14		4	PR:1KW,1KY
(17)	N 104 056 04	Oval hexagon socket head bolt M 6 X 14		4	PR:1KZ,E0W
18	000 043 117 00	brake cylinder paste 1 50-g tube		X	
(18)	000 043 020 00	Assembly paste 1 100-gramme tube		X	

Model: 9PA108

Model life 2007>>2010



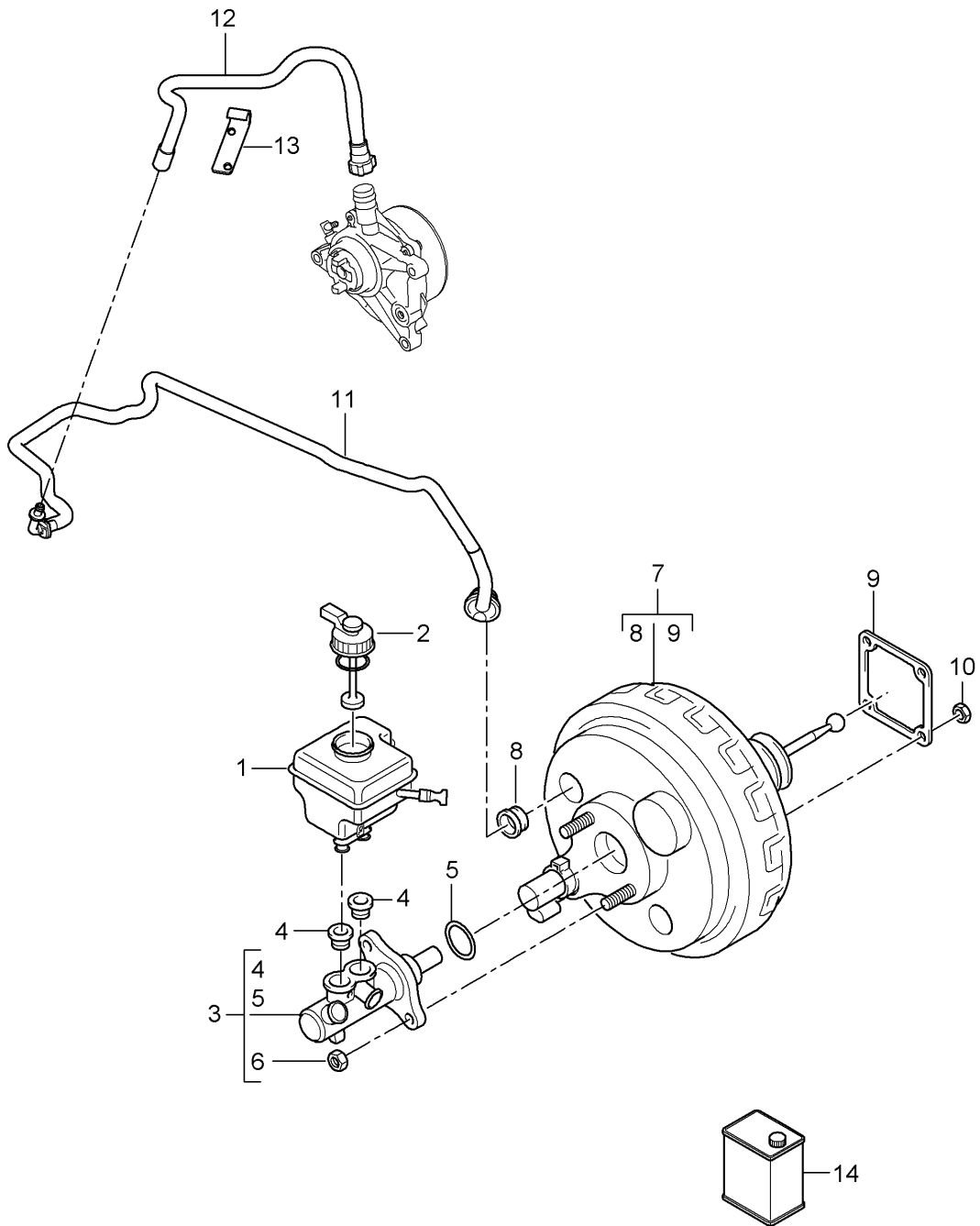
Model: 9PA108

Model life 2007>>2010

Pos	Part Number	Description	Remark	Qty	Model
1	955 352 925 00	Foot-operat. parking brake Brake shoe repair set comprising: Brake shoe		1 4	
		also use:			
2	955 352 098 00	Fasteners Adjusting nut (complete)		2	
3	955 352 073 00	expander lock (complete)		2	
4	955 352 945 01	repair set Mount Brake shoe comprising: tension spring Long tension spring Short spring pin		2	
5	955 352 959 01	Pressure spring spring pin		2 4	
6	955 352 957 00	Pressure spring		4	

Model: 9PA108

Model life 2007>>2010

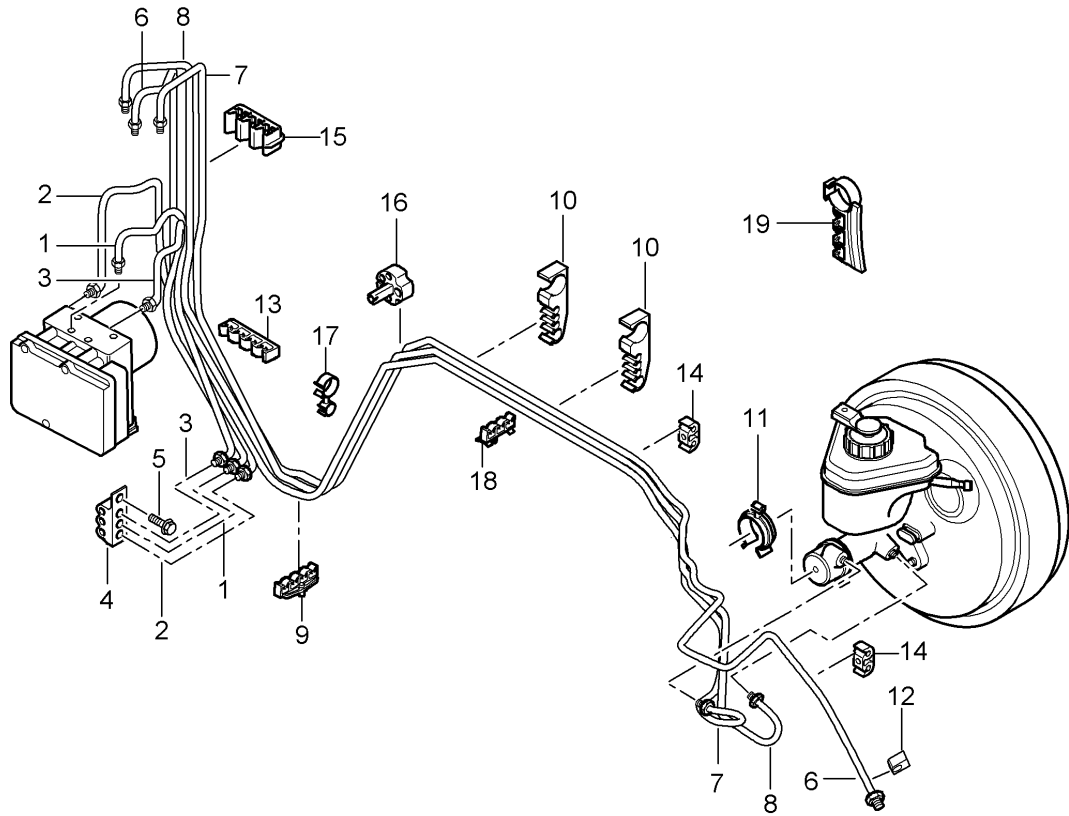


Model: 9PA108 Model life 2007>>2010

Pos	Part Number	Description	Remark	Qty	Model
1	955 355 113 00	Brake master cylinder Brake servo Vacuum line Reservoir for brake fluid		1	
2	955 355 351 00	End cap		1	
3	955 355 015 10	Brake master cylinder Discontinued part	lhd	1	PR:L0L
(3)	955 355 015 20	Brake master cylinder	lhd	1	PR:L0L
(3)	955 355 016 10	Brake master cylinder Discontinued part	rhd	1	PR:L0R
(3)	955 355 016 20	Brake master cylinder	rhd	1	PR:L0R
4	993 355 922 01	Rubber seal		2	
5	955 355 912 00	seal ring		1	
6	N 900 744 04	hexagon nut, self-locking M 8		2	
7	955 355 923 10	Brake servo	lhd	1	PR:D5V,D5X, L0L
(7)	955 355 923 10	Brake servo	lhd	1	PR:D50,L0L
(7)	955 355 923 20	Brake servo D >> - MJ 2008	lhd	1	PR:D5Z,L0L
(7)	955 355 923 21	Brake servo D - MJ 2009>>	lhd	1	PR:D5Z,L0L
(7)	955 355 924 10	Brake servo	rhd	1	PR:D5V,D5X, L0R
(7)	955 355 924 10	Brake servo	rhd	1	PR:D50,L0R
(7)	955 355 924 20	Brake servo D >> - MJ 2008	rhd	1	PR:D5Z,L0R
(7)	955 355 924 21	Brake servo D - MJ 2009>>	rhd	1	PR:D5Z,L0R
8	955 355 921 00	Rubber seal		1	
9	955 355 901 00	Seal Discontinued part		1	
(9)	955 355 901 01	Seal		1	
10	N 023 003 14	hexagon nut, self-locking M 8		4	
11	955 355 577 03	Vacuum line Discontinued part	lhd	1	PR:L0L
(11)	955 355 577 04	Vacuum line	lhd	1	PR:L0L
(11)	955 355 578 05	Vacuum line	rhd	1	PR:L0R
12	955 355 579 30	Vacuum line		1	PR:D5V,D5Z
(12)	955 355 579 40	Vacuum line Discontinued part		1	PR:D5X
(12)	955 355 579 41	Vacuum line		1	PR:D5X
(12)	955 355 579 60	Vacuum line		1	PR:D50
13	955 355 797 00	Bracket		1	PR:D50
14	000 043 210 82	brake fluid	1.0 Ltr.	X	
14	000 043 210 86	brake fluid	30ltr.	X	

Model: 9PA108

Model life 2007>>2010

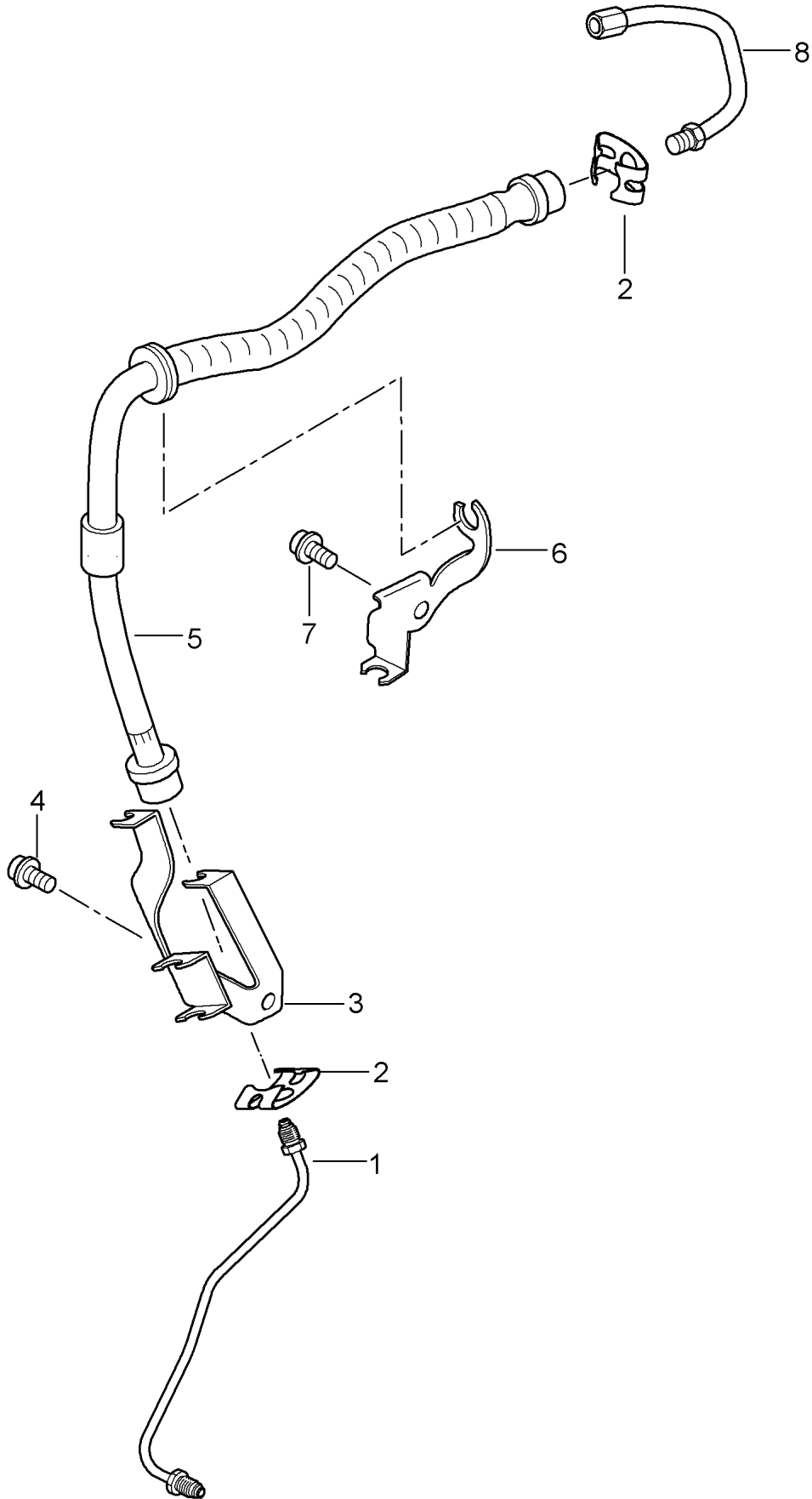


Model: 9PA108 Model life 2007>>2010

Pos	Part Number	Description	Remark	Qty	Model
1	955 355 316 20	Brake lines Front end Pressure line No longer use the part here		1	
(1)	955 355 316 21	Pressure line	lhd	1	PR:L0L
(1)	955 355 316 30	Pressure line	rhd	1	PR:L0R
2	955 355 315 20	Pressure line	lhd	1	PR:L0L
(2)	955 355 315 30	Pressure line	rhd	1	PR:L0R
3	955 355 327 20	Pressure line No longer use the part here		1	
(3)	955 355 327 21	Pressure line	lhd	1	PR:L0L
(3)	955 355 327 30	Pressure line	rhd	1	PR:L0R
4	955 355 650 30	Intermediate piece Discontinued part		1	
(4)	955 355 650 31	Intermediate piece		1	
5	N 101 586 05	bolt,hex.hd.with shoul.(combi) M 6 X 20		1	
6	955 355 325 50	Pressure line No longer use the part here	lhd	1	PR:L0L
(6)	955 355 325 51	Pressure line No longer use the part here	lhd	1	PR:L0L
(6)	955 355 325 52	Pressure line	lhd	1	PR:L0L
(6)	955 355 326 50	Pressure line	rhd	1	PR:L0R
(6)	955 355 326 51	No longer use the part here Pressure line	rhd	1	PR:L0R
(6)	955 355 326 52	D >> - MJ 2008 Pressure line D - MJ 2009>> Discontinued part	rhd	1	PR:L0R
(6)	955 355 326 53	Pressure line	rhd	1	PR:L0R
7	955 355 309 40	Pressure line No longer use the part here	lhd	1	PR:L0L
(7)	955 355 309 41	Pressure line No longer use the part here	lhd	1	PR:L0L
(7)	955 355 309 42	Pressure line	lhd	1	PR:L0L
(7)	955 355 310 40	Pressure line	rhd	1	PR:L0R
8	955 355 313 40	Pressure line No longer use the part here	lhd	1	PR:L0L
(8)	955 355 313 41	Pressure line	lhd	1	PR:L0L
(8)	955 355 314 40	Pressure line	rhd	1	PR:L0R
9	955 355 540 40	Line holder	lhd	1	PR:L0L
(9)	955 355 540 40	Line holder	rhd	1	PR:1BK,L0R
10	955 355 541 10	Line holder		2	
11	N 105 993 01	Bracket		1	
12	999 651 331 40	Cable holder	lhd	1	PR:L0L
13	955 355 540 00	Line holder		1	
14	955 355 543 00	Line holder	rhd	2	PR:L0R
15	955 355 542 10	Line holder	rhd	1	PR:L0R
16	955 355 550 00	Distance piece	rhd	1	PR:L0R
17	955 355 532 00	Line holder Pressure line Vacuum line		1	
18	955 355 542 30	Line holder	lhd	1	PR:L0L
19	955 355 540 31	Line holder	lhd	1	PR:L0L

Model: 9PA108

Model life 2007>>2010

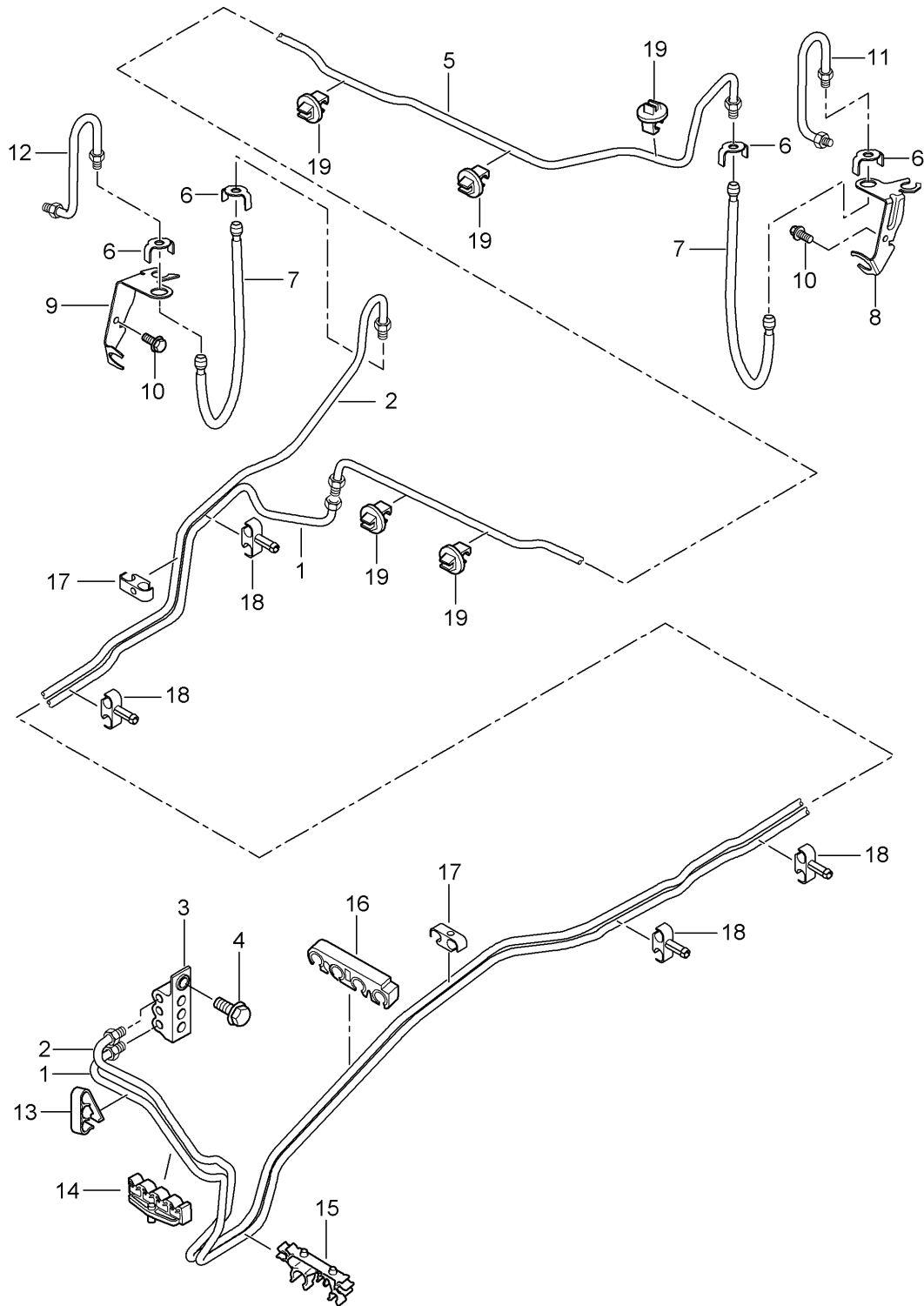


Model: 9PA108 Model life 2007>>2010

Pos	Part Number	Description	Remark	Qty	Model
1	955 355 581 01	Brake lines Front axle			
(1)	955 355 581 50	Brake line	left	1	
		Brake line	left	1	PR:1LH,E81
		D >> - MJ 2008			
(1)	955 355 581 50	Brake line	left	1	PR:1LH
		D - MJ 2009>>			
(1)	955 355 582 01	Brake line	right	1	
(1)	955 355 582 50	Brake line	right	1	PR:1LH,E81
		D >> - MJ 2008			
(1)	955 355 582 50	Brake line	right	1	PR:1LH
		D - MJ 2009>>			
2	955 355 325 00	retaining spring		4	
3	955 355 501 10	Retainer for brake hose	left	1	
(3)	955 355 501 50	Retainer for brake hose	left	1	PR:1LP
		D >> - MJ 2008			
(3)	955 355 501 50	Retainer for brake hose	left	1	PR:1LX
		D - MJ 2009>>			
(3)	955 355 502 10	Retainer for brake hose	right	1	
(3)	955 355 502 50	Retainer for brake hose	right	1	PR:1LP
		D >> - MJ 2008			
(3)	955 355 502 50	Retainer for brake hose	right	1	PR:1LX
		D - MJ 2009>>			
4	N 903 086 07	Socket head bolt with inner multipoint head M 8 X 14		2	
5	955 355 139 13	Brake hose Discontinued part		2	
5	955 355 139 14	Brake hose		2	
(5)	955 355 139 20	Brake hose		2	PR:1LP
		D >> - MJ 2008			
		Discontinued part			
(5)	955 355 139 21	Brake hose		2	PR:1LP
		D >> - MJ 2008			
(5)	955 355 139 30	Brake hose		2	PR:1LX
		D - MJ 2009>>			
		Discontinued part			
(5)	955 355 139 31	Brake hose		2	PR:1LX
		D - MJ 2009>>			
6	955 355 503 10	Retainer for brake hose	left	1	
(6)	955 355 504 10	Retainer for brake hose	right	1	
7	N 103 352 06	Hexagon socket flat head bolt M 6 X 12		2	
(8)	955 355 175 22	Brake line	left	1	
(8)	955 355 176 12	Brake line	right	1	

Model: 9PA108

Model life 2007>>2010

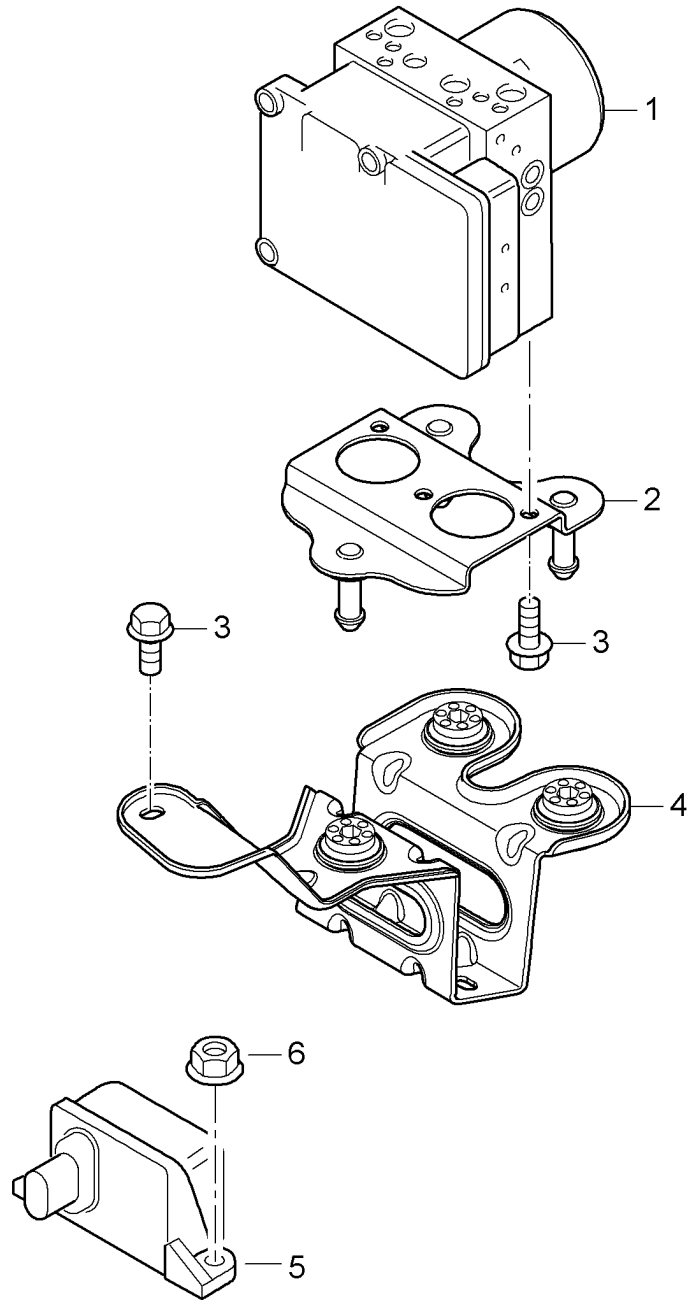


Model: 9PA108 Model life 2007>>2010

Pos	Part Number	Description	Remark	Qty	Model
		Brake lines			
		Underbody			
		Rear axle			
1	955 355 177 12	Brake line	left	1	PR:0AB,0BB
(1)	955 355 177 20	Brake line	left	1	PR:0AW
2	955 355 178 11	Brake line	right	1	PR:0AB,0BB
(2)	955 355 178 20	Brake line	right	1	PR:0AW
3	955 355 650 30	Intermediate piece		1	
		Discontinued part			
(3)	955 355 650 31	Intermediate piece		1	
4	N 101 586 05	bolt,hex.hd.with shoul.(combi) M 6 X 20		1	
5	955 355 189 13	Brake line	left	1	
6	955 355 325 00	retaining spring		4	
7	955 355 060 01	Brake hose		2	
		Discontinued part			
(7)	958 355 060 00	Brake hose		2	
8	955 355 505 10	Brake line bracket	left	1	
9	955 355 506 10	Brake line bracket	right	1	
10	N 101 563 07	Hex collared bolt M 6 X 12		2	
11	955 355 583 01	Brake line	left	1	
12	955 355 584 01	Brake line	right	1	
13	955 355 548 01	Line holder		1	
14	955 355 540 40	Line holder		1	
15	955 355 545 10	Line holder		1	
16	955 355 543 20	Line holder		1	
17	955 355 543 00	Line holder		2	
18	955 355 546 01	Line holder		4	
19	955 355 547 20	Line holder		5	

Model: 9PA108

Model life 2007>>2010

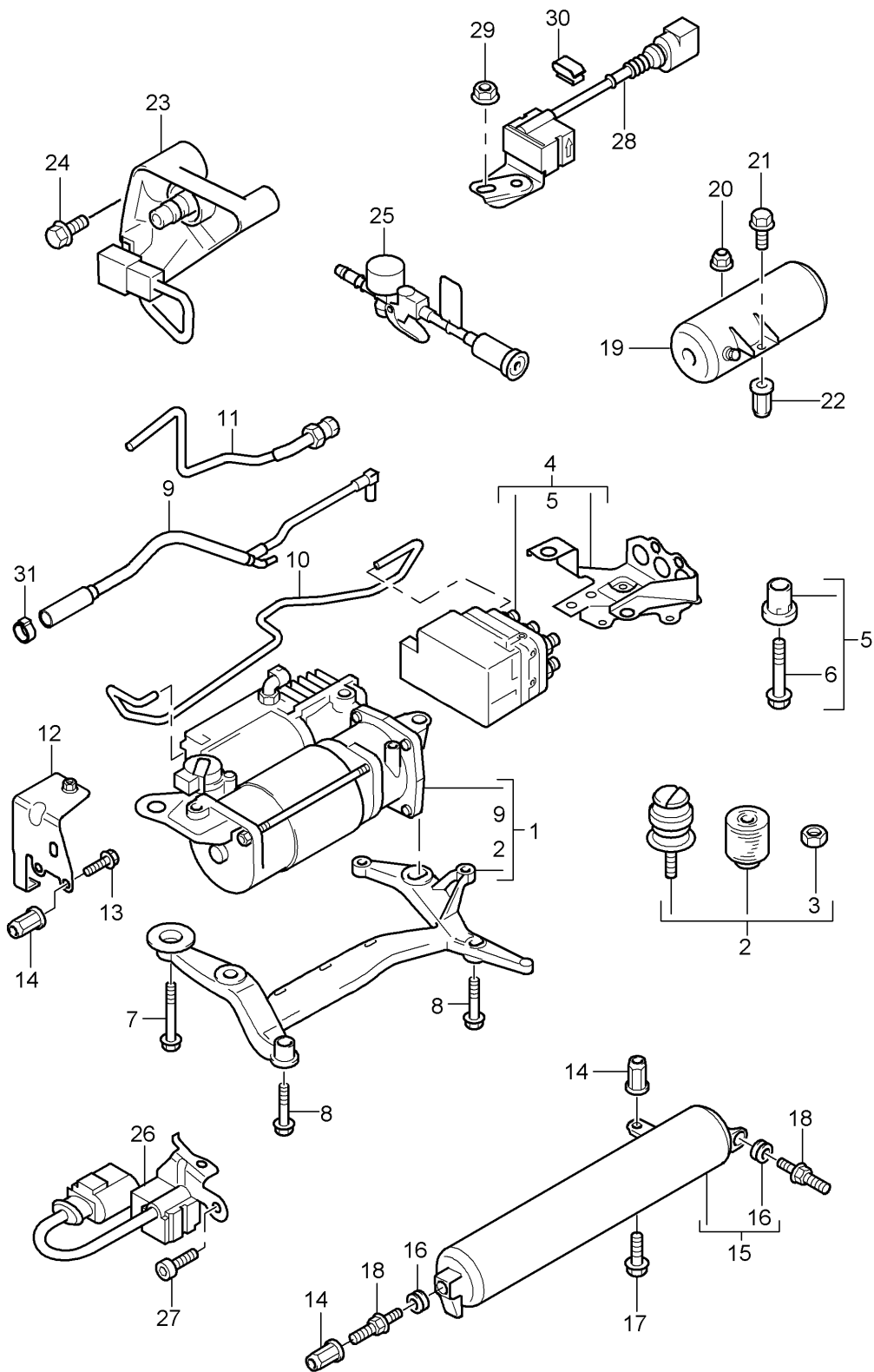


Model: 9PA108 Model life 2007>>2010

Pos	Part Number	Description	Remark	Qty	Model
1	955 355 955 10	Hydraulic unit anti-locking brake syst. -abs- Control Hydraulic unit F >> 9P-8LA18 169 F >> 9P-8LA48 433 F >> 9P-8LA93 488		1	
(1)	955 355 955 11	Hydraulic unit F 9P-8LA18 170>> F 9P-8LA48 434>> F 9P-8LA70 079>> F 9P-8LA93 489>> D >> - MJ 2008		1	
(1)	955 355 955 12	Hydraulic unit D - MJ 2009>>		1	PR:D5X,D5V,
(1)	955 355 955 20	Hydraulic unit		1	PR:D50
(1)	955 355 955 20	Hydraulic unit		1	PR:E2D
2	955 355 233 00	Bracket		1	
3	N 902 452 05	Hex collared bolt M 6 X 10		6	
4	955 355 033 00	Bracket mount No longer use the part here		1	
(4)	955 355 033 01	Bracket mount		1	
5	955 606 145 10	Sensor Discontinued part		1	
(5)	958 606 145 00	Sensor		1	
6	N 015 082 10	Hexagon collar nut M 6		2	

Model: 9PA108

Model life 2007>>2010



Model: 9PA108 Model life 2007>>2010

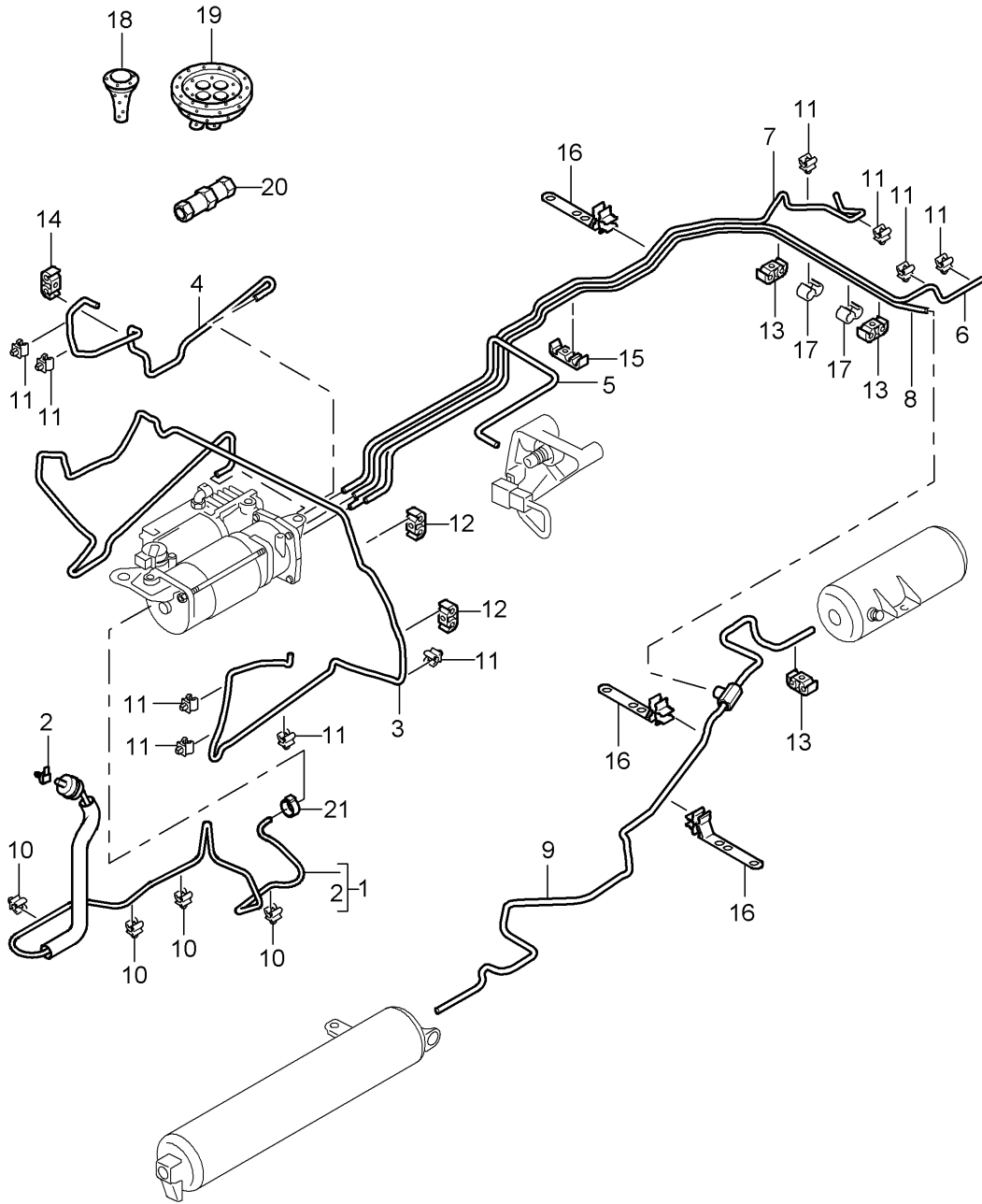
Pos	Part Number	Description	Remark	Qty	Model
1	955 358 901 01	Adaptive suspension Compressor Pressure accumulator Accelerator sensor Compressor with:		1	PR:1BK
(1)	955 358 901 02	Bracket F >> 9P-8LA35 908 Compressor with:		1	
(1)	955 358 901 03	Bracket F 9P-8LA35 909>> D >> - MJ 2008 Discontinued part Compressor with:		1	
(1)	955 358 901 04	Bracket No longer use the part here Compressor with:		1	
-	955 358 901 20	Bracket D - MJ 2009>> Line Set Compressor		1	
2	955 358 902 01	Adaptive suspension Set of fastening parts for Compressor		1	
(2)	955 358 902 03	Set of fastening parts for Compressor		1	
3	N 023 002 12	No longer use the part here hexagon nut, self-locking M 6		2	
4	955 358 903 00	Control mechanism with:		1	
-	955 358 541 00	Bracket push-on connector Control mechanism Line		6	
5	955 358 904 00	Set of fastening parts for Control mechanism		1	
6	N 106 554 01	Hex collared bolt M 6 X 40		3	
7	N 103 183 02	Hex collared bolt M 8 X 70 X 41		1	
8	N 105 728 02	bolt,hex.hd.with shoul.(combi) AM 8 X 50		2	
9		suction line Compressor Not available Pos. 1 Use		1	
10	955 358 050 00	Pressure line Compressor Control mechanism		1	
11	955 358 055 00	Pressure line Compressor Air line Air pressure connection F >> 9P-8LA35 908		1	

Model: 9PA108 Model life 2007>>2010

Pos	Part Number	Description	Remark	Qty	Model
(11)	955 358 055 01	use if required: Pressure line Compressor Air line Air pressure connection F 9P-8LA35 909>>		1	
-	955 358 725 01	use if required: Elbow fitting Compressor Air line Air pressure connection		1	
12	955 358 210 01	Bracket for compressor		1	
13	N 909 210 02	Hexagon bolt M 8 X 22		3	
14	N 904 085 04	rivetted cap nut M 8		5	
15	955 358 043 00	Pressure accumulator Discontinued part	front	1	
(15)	955 358 043 01	Pressure accumulator	front	1	
-	955 358 540 00	push-on connector Pressure accumulator Line		1	
16	955 358 320 00	Rubber mounting		2	
17	N 104 032 03	Hexagon bolt M 8 X 16		1	
18	WHT 001 832	Hexagon bolt M 8		2	
19	955 358 044 00	Pressure accumulator Discontinued part	rear	1	
(19)	955 358 044 01	Pressure accumulator	rear	1	
-	955 358 540 00	push-on connector Pressure accumulator Line		1	
20	N 023 002 12	hexagon nut, self-locking M 6		1	
21	N 103 389 03	Hex collared bolt M 6 X 16		1	
22	N 106 185 01	rivetted cap nut M 6		1	
23	955 358 275 00	Air pressure connection		1	
24	N 103 389 03	Hex collared bolt M 6 X 16		1	
25	955 358 710 02	Hose		1	
		with:			
26	955 606 077 02	Pocket Acceleration sensor for bodywork	left front	1	
(26)	955 606 078 02	Acceleration sensor for bodywork	right front	1	
27	N 014 701 11	Socket head bolt with hexagon socket head M 6 x 12		2	
28	955 606 079 01	Acceleration sensor for bodywork	rear center	1	
29	N 015 082 10	Hexagon collar nut M 6		1	
30	955 606 302 00	Clip for Cable Accelerator sensor		1	
31		Hose clip see illustration, item: F 9P-8LA35 909>>	606-005,21	1	

Model: 9PA108

Model life 2007>>2010

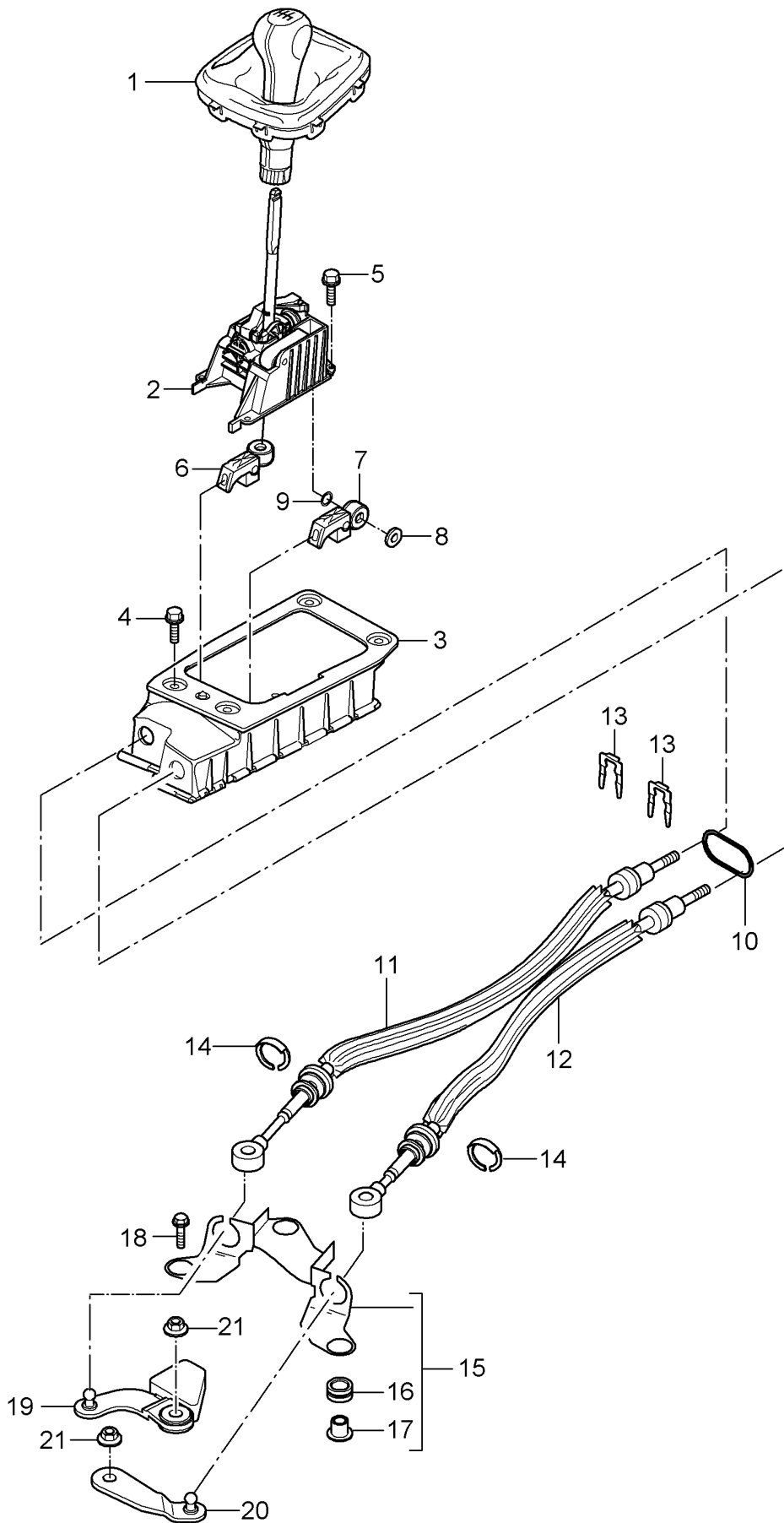


Model: 9PA108 Model life 2007>>2010

Pos	Part Number	Description	Remark	Qty	Model
1	955 358 045 10	Adaptive suspension Lines suction line Air filter Compressor		1	PR:1BK PR:D5X
(1)	955 358 045 11	No longer use the part here suction line Air filter Compressor		1	PR:D5X
(1)	955 358 045 20	suction line Air filter Compressor		1	PR:D5V,D5Z
(1)	955 358 045 20	suction line Air filter Compressor		1	PR:D50
2	955 358 521 00	Retaining clip		1	PR:D5X
3	955 358 051 01	Air line violet	left front left	1	PR:L0L
(3)	955 358 052 01	Air line violet	left front left right front	1	PR:L0R
4	955 358 054 10	Air line green		1	
5	955 358 056 00	Air line brown Air pressure connection		1	
6	955 358 061 00	Air line red	left rear	1	
7	955 358 062 00	Air line yellow	right rear	1	
8	955 358 066 00	Air line blue Compressor		1	
9	955 358 067 00	Air line blue Pressure accumulator		1	
-	955 358 541 00	push-on connector Air line Pressure accumulator		1	
10	N 909 435 01	Hose bracket 12 MM		4	
11	955 511 645 00	Clip		10	
(12)	955 355 543 00	Line holder	lhd	1	PR:L0L
12	955 355 543 00	Line holder	rhd	2	PR:L0R
13	955 355 543 00	Line holder		3	
14	955 610 232 00	Bracket		1	
15	955 355 543 10	Line holder		1	
16	955 358 546 00	Bracket		3	
17	955 358 547 00	Bracket		2	
18	955 358 548 00	Grommet		X	
19	955 358 549 00	Grommet		X	
20	955 358 910 00	push-on connector repair set Air line		X	
21	999 512 457 00	Ear crimp hose clamp 21 X 7 X 0,6 F 9P-8LA35 909>>		1	

Model: 9PA108

Model life 2007>>2010



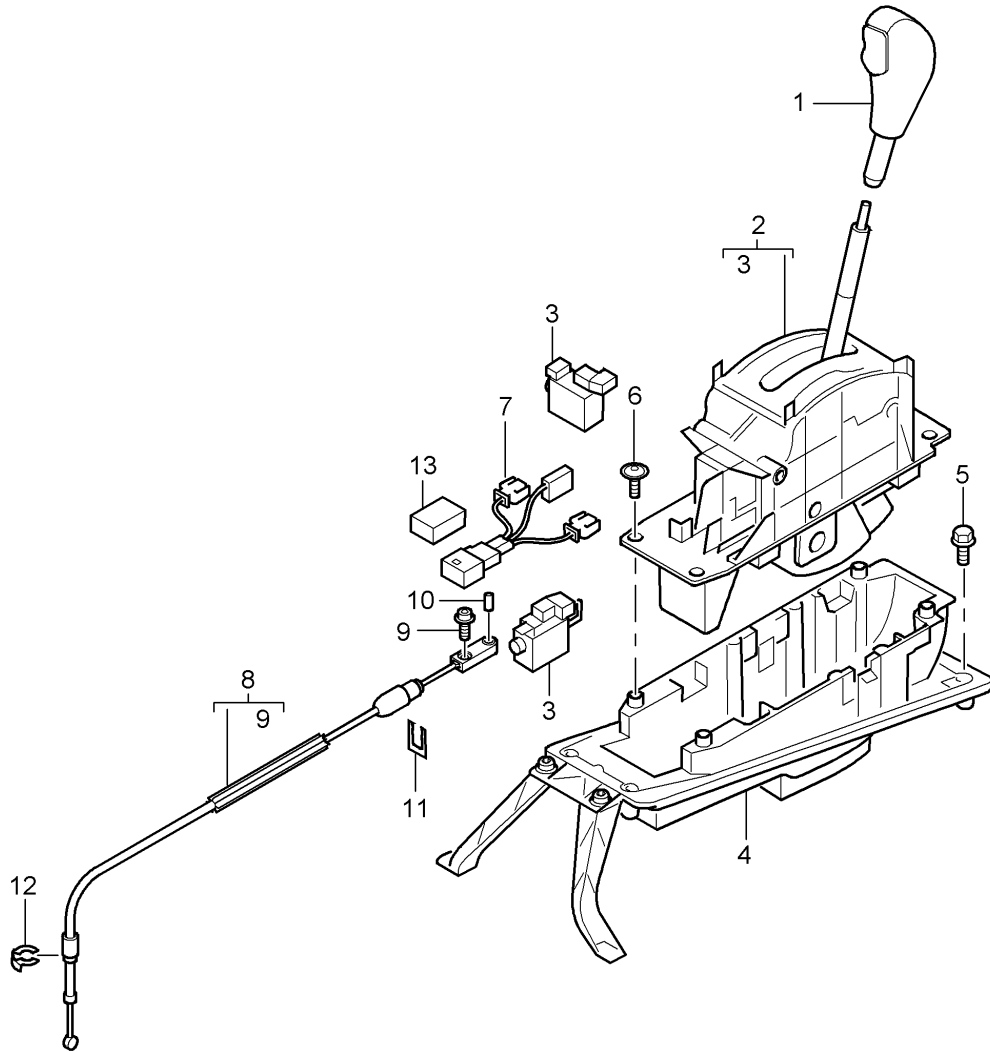
Model: 9PA108

Model life 2007>>2010

Pos	Part Number	Description	Remark	Qty	Model
		Transmission control Manual gearbox			PR:G0L
1	955 424 075 00	gearstick knob (leather)		1	PR:D5X,D5V
	955 424 075 00 PCN	Black			
	955 424 075 00 PCP	Silver mat chrome			
	955 424 075 00 PCQ	Stone grey			
	955 424 075 00 PCQ	Silver mat chrome			
	955 424 075 00 PCQ	Havanna			
	955 424 075 00 RLU	Silver mat chrome			
	955 424 075 00 RLU	Sand beige			
	955 424 075 00 WPJ	Silver mat chrome			
	955 424 075 00 WPJ	chestnut brown			
	955 424 075 00 WPJ	Silver mat chrome			
(1)	955 424 075 10	gearstick knob (alcantara)		1	PR:D5V,E0W
	955 424 075 10 XVJ	Black			
	955 424 075 10 XVK	Sand beige			
	955 424 075 10 XVL	steel grey			
(1)	955 424 075 10	gearstick knob (alcantara)		1	PR:D5V,E2D
	955 424 075 10 XVJ	Black			
	955 424 075 10 XVK	Sand beige			
	955 424 075 10 XVL	steel grey			
2	955 424 010 00	ball housing - gearshift lever		1	
3	955 424 031 00	Support section		1	
		ball housing - gearshift lever			
4	N 019 530 7	Hex collared bolt		4	
		M 8 X 25			
5	955 424 335 00	lock screw		4	
		M 6 X 30			
6	955 424 145 00	Securing element for Cable		1	
		Adjustable			
7	955 424 147 00	Securing element for Cable		1	
		Adjustable			
8	WHT 002 082	Shim		1	PR:D5X
		12,5 X 28			
9	WHT 001 825	O-ring		1	PR:D5X
		19 X 1,5			
10	WHT 001 826	O-ring		1	PR:D5X
		25 X 3			
11	955 424 041 02	cable for shift mechanism		1	PR:D5V
(11)	955 424 041 12	cable for shift mechanism		1	PR:D5X
12	955 424 042 02	cable for shift mechanism		1	PR:D5V
(12)	955 424 042 12	cable for shift mechanism		1	PR:D5X
13	955 424 241 00	Securing bars		2	
14	955 424 411 01	Securing bars		2	
15	955 424 160 01	abutment		1	
16	955 424 711 00	Rubber bush for abutment		3	
17	955 424 710 01	Bush for abutment		3	
18	N 101 069 05	hexagon head bolt (combi)		3	
		M 8 X 32			
19	955 424 150 01	gearshift lever		1	
20	955 424 155 01	selector lever		1	
21	N 907 611 02	Hexagon collar nut self-locking M 8		2	

Model: 9PA108

Model life 2007>>2010

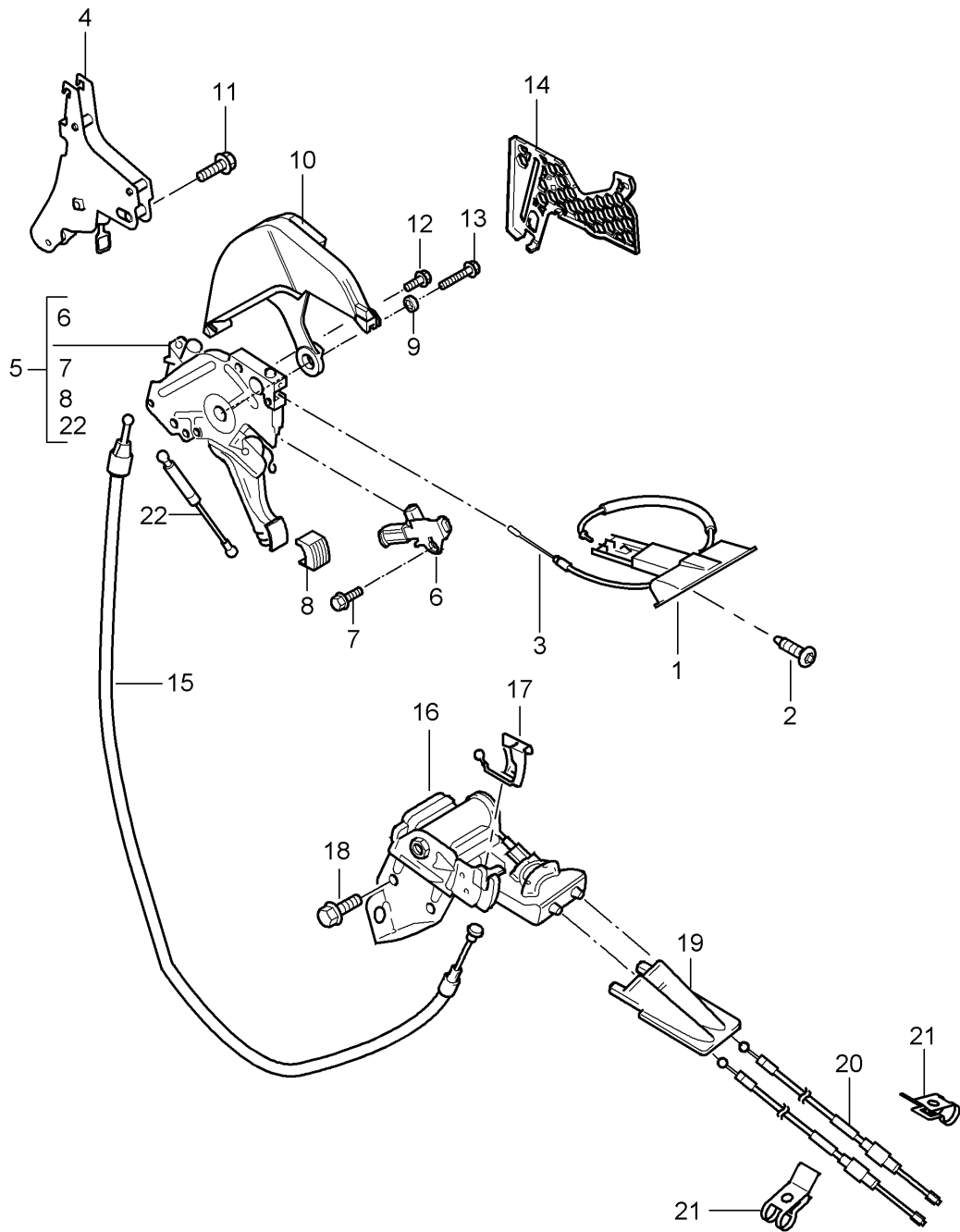


Model: 9PA108 Model life 2007>>2010

Pos	Part Number	Description	Remark	Qty	Model
		selector lever			PR:G0R
1	955 426 069 00	Tiptronic		1	
	955 426 069 00 PCS	gearstick knob (leather)			PR:6Q2
	955 426 069 00 PCT	Black			
	955 426 069 00 PCU	Satin aluminium			
	955 426 069 00 RLT	Stone grey			
	955 426 069 00 WPK	Satin aluminium			
	955 426 069 00 PCU	Havanna			
	955 426 069 00 RLT	Satin aluminium			
	955 426 069 00 RLT	Sand beige			
	955 426 069 00 WPK	Satin aluminium			
(1)	955 426 069 10	chestnut brown		1	PR:6Q8
	955 426 069 10 4X2	Satin aluminium			
	955 426 069 10	Selector knob		1	PR:7F7
(1)	955 426 069 30	Rootwood		1	
	955 426 069 30 4V8	Dark			
	955 426 069 30	Selector knob		1	PR:7F7
	955 426 069 30 4V8	Olive grain			
	955 426 069 30	Light			
	955 426 069 30	High gloss			
2	955 426 011 01	selector lever		1	
		with:			
		housing			
3	955 624 170 01	Electromagnet		2	
4	955 426 031 00	Support section		1	
5	N 019 530 7	Hex collared bolt		4	
		M 8 X 25			
6	999 919 204 09	fillister hd. bolt		4	
		7 X 22			
7	955 613 043 00	Micro switch		1	
8	955 426 033 01	Cable		1	PR:D5X
(8)	955 426 033 11	Cable		1	PR:D5V,D5Z
(8)	955 426 033 20	Cable		1	PR:D50
9	WHT 000 140 A	Socket head bolt		1	
		M 6 X 12			
10	955 426 149 00	Pin		1	
11	955 426 335 00	Securing bars		1	
12	N 012 322 5	Retaining washer		1	
13	955 426 240 00	Protective hose		1	
		Connector			
		Micro switch			

Model: 9PA108

Model life 2007>>2010



Model: 9PA108 Model life 2007>>2010

Pos	Part Number	Description	Remark	Qty	Model
1	955 424 153 01	Foot-operat. parking brake Actuator Release		1	
	955 424 153 01 A03	Black			
	955 424 153 01 7BA	steel grey			
	955 424 153 01 5Z1	Sand beige			
2	N 906 986 01	Hexagon socket head panel bolt ST 4,2 X 16		1	
-	N 906 988 01	Speed nut ST 4,2 X 16 X 12		1	
3	955 424 140 02	Cable Release	lhd	1	PR:L0L
(3)	955 424 140 11	Cable Release	rhd	1	PR:L0R
4	955 423 462 00	Bracket	rhd	1	PR:L0R
-	955 355 580 00	Foot-operat. parking brake Edge protection for Bracket	rhd	1	PR:L0R
5	955 423 052 06	Foot-operat. parking brake		1	PR:G0R
(5)	955 423 052 14	Foot-operat. parking brake		1	PR:G0L
6	955 613 112 00	Contact switch		1	PR:G0R
(6)	955 613 112 12	Contact switch		1	PR:G0L
7	N 102 156 03	hexagon head bolt (combi) M 5 X 8		1	PR:G0R
(7)	N 010 264 9	Hexagon bolt M 5 X 20		1	PR:G0L
8	955 423 214 00	Pedal cap		1	
9	955 423 605 00	Distance piece	lhd	1	PR:L0L
10	955 423 409 00	Cover	lhd	1	PR:L0L
			upper		
(10)	955 423 410 00	Foot-operat. parking brake Cover	rhd	1	PR:L0R
			upper		
11	N 104 544 04	Foot-operat. parking brake Hex collared bolt AM 8 X 55	rhd	1	PR:L0R
12	N 104 032 03	Hexagon bolt M 8 X 16		1	
13	N 103 156 05	Hexagon bolt AM 8 X 40		1	
14	955 423 524 01	Cover	lhd	1	PR:L0L
			side		
15	955 423 141 01	Foot-operat. parking brake Cable	lhd	1	PR:L0L
(15)	955 423 141 11	Foot-operat. parking brake Cable	front rhd	1	PR:L0R
16	955 424 161 00	Foot-operat. parking brake Console (complete)	front lhd	1	PR:L0L
(16)	955 424 162 00	Foot-operat. parking brake Console (complete)	rhd	1	PR:L0R
17	955 424 165 00	Foot-operat. parking brake Securing bars		1	
18	N 104 032 03	Hexagon bolt M 8 X 16		4	
19	955 424 721 10	pull cable guide		1	
20	955 424 141 10	Cable	rear	2	
(20)	955 424 141 11	Foot-operat. parking brake Cable	rear	2	

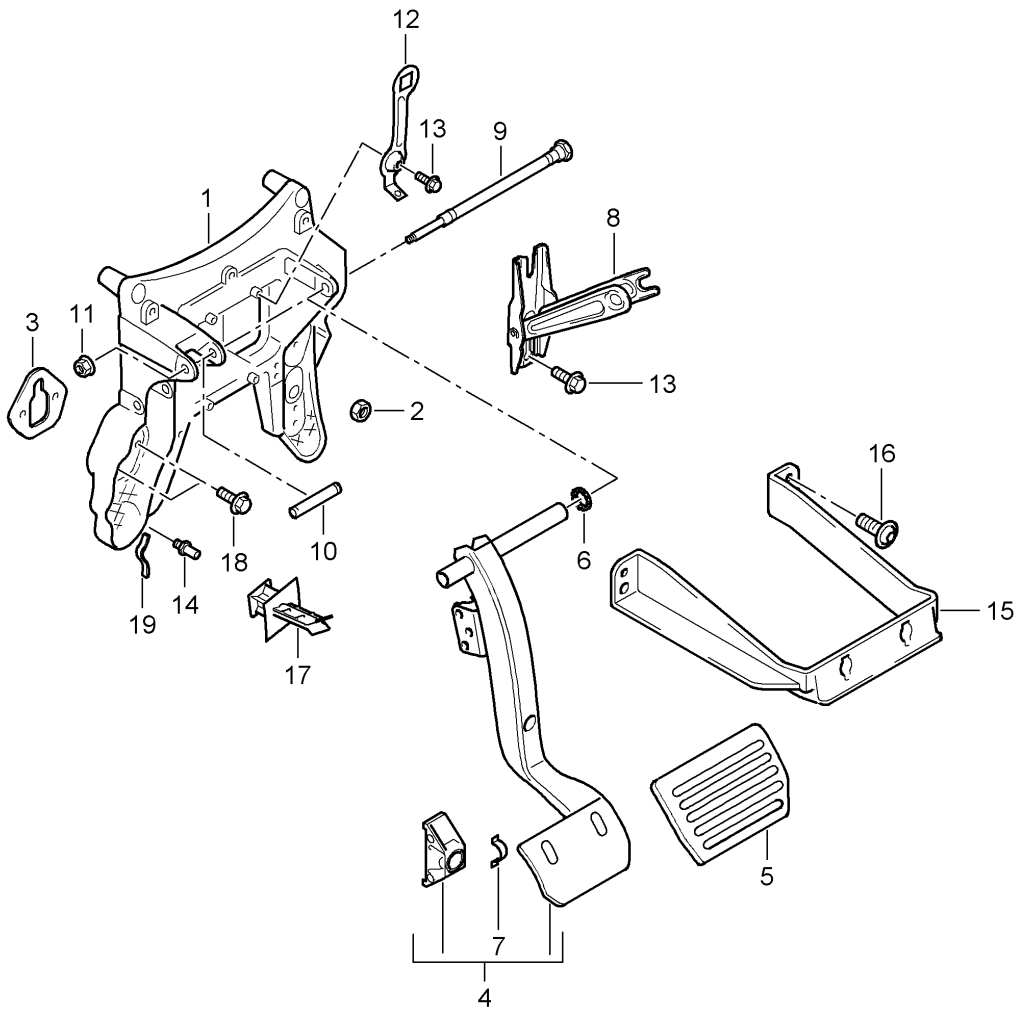
Model: 9PA108

Model life 2007>>2010

Pos	Part Number	Description	Remark	Qty	Model
21	955 424 521 01	Foot-operat. parking brake Retaining clip	rear	2	
		Cable			
22	955 423 389 00	Shock absorbers		1	
-	000 043 204 21	Foot-operat. parking brake Grease	rear	X	
		Spraying can 25 ML for Cable			
-	G 052 778 A2	Foot-operat. parking brake Discontinued part Lock cylinder grease spray	rear	X	
		Spraying can 25 ML for Cable Foot-operat. parking brake			

Model: 9PA108

Model life 2007>>2010

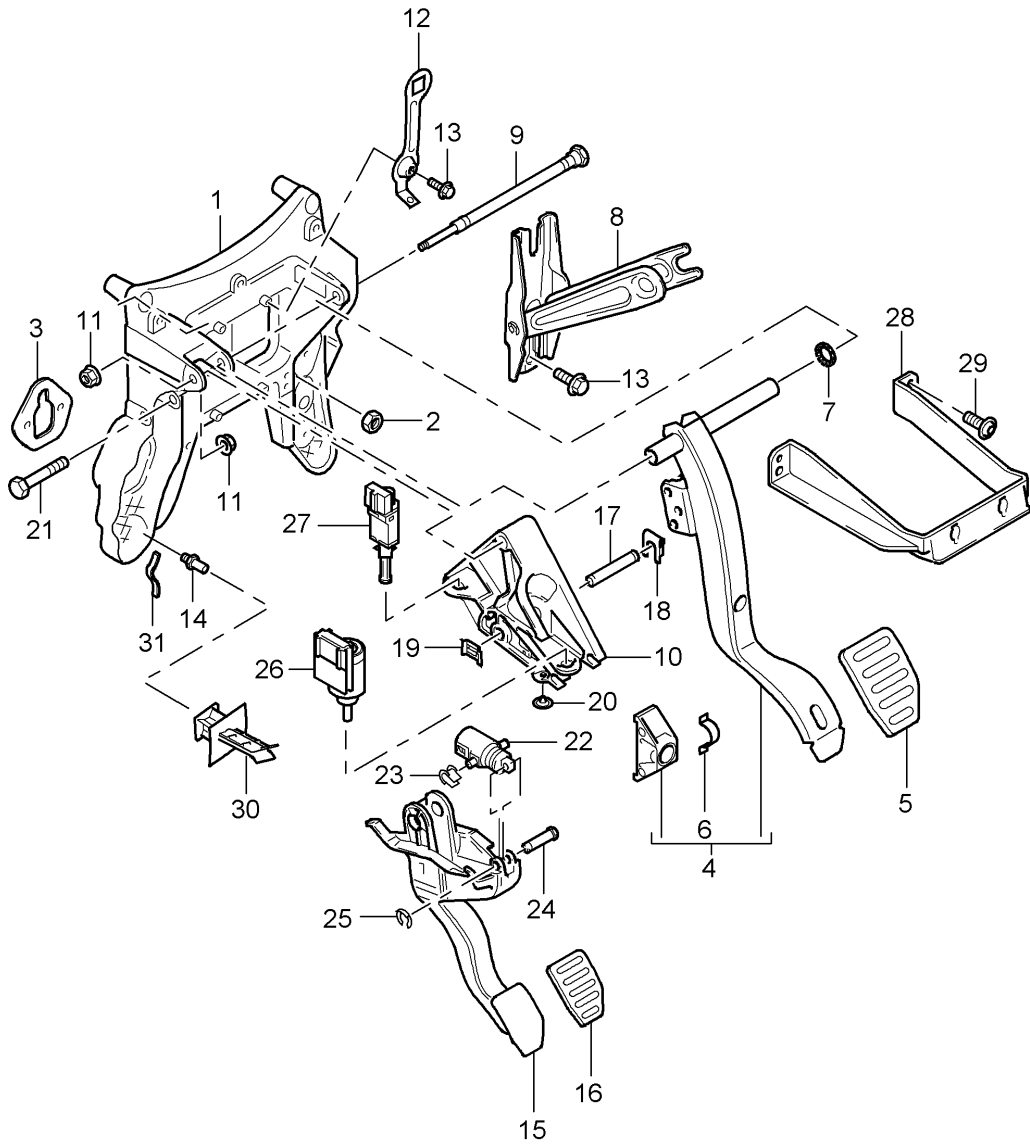


Model: 9PA108 Model life 2007>>2010

Pos	Part Number	Description	Remark	Qty	Model
		Pedals			PR:G0R
		Tiptronic			
1	955 423 065 00	Bracket	lhd	1	PR:L0L
(1)	955 423 066 10	Bracket	rhd	1	PR:L0R
2		see illustration, item:	604-000,10	4	
3	955 423 368 01	Seal		1	
4	955 423 093 01	Foot brake	lhd	1	PR:L0L
		D >> - MJ 2008			
(4)	955 423 093 02	Foot brake	lhd	1	PR:L0L
		D - MJ 2009>>			
(4)	955 423 094 11	Foot brake	rhd	1	PR:L0R
		No longer use the part here			
(4)	955 423 094 12	Foot brake	rhd	1	PR:L0R
5	955 423 212 00	Pedal cap		1	PR:D5X
(5)	955 423 212 00	Pedal cap		1	PR:D50
(5)	955 423 212 10	Pedal cap		1	PR:D5V,D5Z
6	955 423 371 00	Belleville spring		1	PR:L0L,L0R
		To			
		Use			
		Foot brake			
		955.423.093.02	lhd	1	
		955.423.094.12	rhd	1	
		bearing pin			
		WHT.002.278		1	
		No longer use the part here			
7	955 423 341 00	bearing shell		1	
8	955 423 165 10	Support	lhd	1	PR:L0L
			upper		
		D >> - MJ 2008			
(8)	955 423 165 11	Support	lhd	1	PR:L0L
			upper		
		D - MJ 2009>>			
(8)	955 423 166 20	Support	rhd	1	PR:L0R
			upper		
		D >> - MJ 2008			
(8)	955 423 166 21	Discontinued part			
		Support	rhd	1	PR:L0R
			upper		
		D - MJ 2009>>			
9	WHT 002 278	bearing pin		1	
10	955 423 381 00	Spacer pipe		1	
11	N 023 003 13	Hexagon collar nut		1	
		self-locking			
		M 8			
12	955 423 175 00	Support	lhd	1	PR:L0L
(12)	955 423 176 10	Support	rhd	1	PR:L0R
13	955 423 158 00	Fastening screw		3	
14	955 423 159 00	Threaded pin	lhd	1	PR:L0L
15	955 613 545 02	arm		1	
16	955 423 157 10	Screw		2	
17	955 573 318 00	Securing bracket	lhd	1	PR:L0L
18	N 102 856 01	hexagon head bolt (combi)		2	
		M 6 X 25			
19	955 423 594 00	Edge protection	rhd	1	PR:L0R
		Bracket			

Model: 9PA108

Model life 2007>>2010



Model: 9PA108 Model life 2007>>2010

Pos	Part Number	Description	Remark	Qty	Model
		Pedals			PR:G0L
		Manual gearbox			
1	955 423 063 00	Bracket	lhd	1	PR:L0L
(1)	955 423 064 10	Bracket	rhd	1	PR:L0R
2		see illustration, item:	604-000,12	4	
3	955 423 368 01	Seal		1	
4	955 423 091 01	Foot brake	lhd	1	PR:L0L
		No longer use the part here			
(4)	955 423 091 02	Foot brake	lhd	1	PR:L0L
(4)	955 423 092 11	Foot brake	rhd	1	PR:L0R
		No longer use the part here			
(4)	955 423 092 12	Foot brake	rhd	1	PR:L0R
5	955 423 211 00	Pedal cap		1	PR:D5X
(5)	955 423 211 10	Pedal cap		1	PR:D5V
6	955 423 341 00	bearing shell		1	
7	955 423 371 00	Belleville spring		1	PR:L0L,L0R
		To			
		Use			
		Foot brake			
		955.423.091.02	lhd	1	
		955.423.092.12	rhd	1	
		bearing pin			
		WHT.002.278		1	
		No longer use the part here			
8	955 423 165 10	Support	lhd	1	PR:L0L
			upper		
(8)	955 423 165 11	D >> - MJ 2008 Support	lhd	1	PR:L0L
			upper		
(8)	955 423 166 20	D - MJ 2009>> Support	rhd	1	PR:L0R
			upper		
(8)	955 423 166 21	D >> - MJ 2008 Support	rhd	1	PR:L0R
			upper		
9	WHT 002 278	bearing pin		1	
10	955 423 030 00	Bracket		1	
		Clutch pedal switch			
11	N 023 003 14	hexagon nut, self-locking M 8		2	
12	955 423 175 00	Support	lhd	1	PR:L0L
(12)	955 423 176 10	Support	rhd	1	PR:L0R
13	955 423 158 00	Fastening screw		3	
14	955 423 159 00	Threaded pin	lhd	1	PR:L0L
15	955 423 139 00	Clutch pedal switch	lhd	1	PR:L0L
(15)	955 423 140 10	Clutch pedal switch	rhd	1	PR:L0R
16	955 423 213 00	clutch pedal pad		1	PR:D5X
(16)	955 423 213 10	clutch pedal pad		1	PR:D5V
17	WHT 002 280	bearing pin		1	
18	N 902 362 01	Retaining washer		1	
19	955 423 577 00	fuse		1	
20	955 423 720 00	Stop buffer		2	
21	N 010 370 16	Hexagon bolt M 8 X 70		1	
22	955 423 081 12	Servo spring		1	PR:D5X
(22)	955 423 081 20	Servo spring		1	PR:D5V
23	955 423 581 00	bearing shell		2	
24	WHT 002 279	Pin		1	
25	999 166 022 02	Kl-lock		1	
26	955 613 111 02	Switch		1	
27	955 613 113 01	Switch		1	
28	955 613 545 02	arm		1	

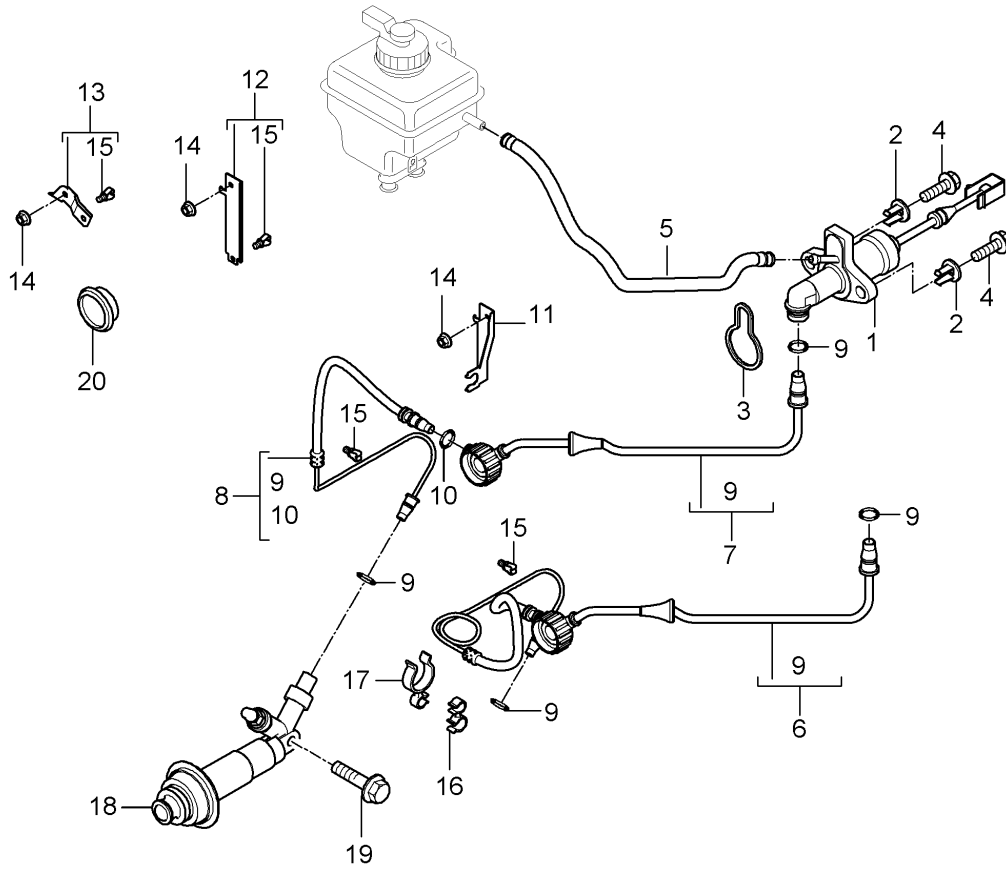
Model: 9PA108

Model life 2007>>2010

Pos	Part Number	Description	Remark	Qty	Model
29	955 423 157 10	Screw		2	
30	955 573 318 00	Securing bracket	lhd	1	PR:L0L
31	955 423 594 00	Edge protection Bracket	rhd	1	PR:L0R

Model: 9PA108

Model life 2007>>2010

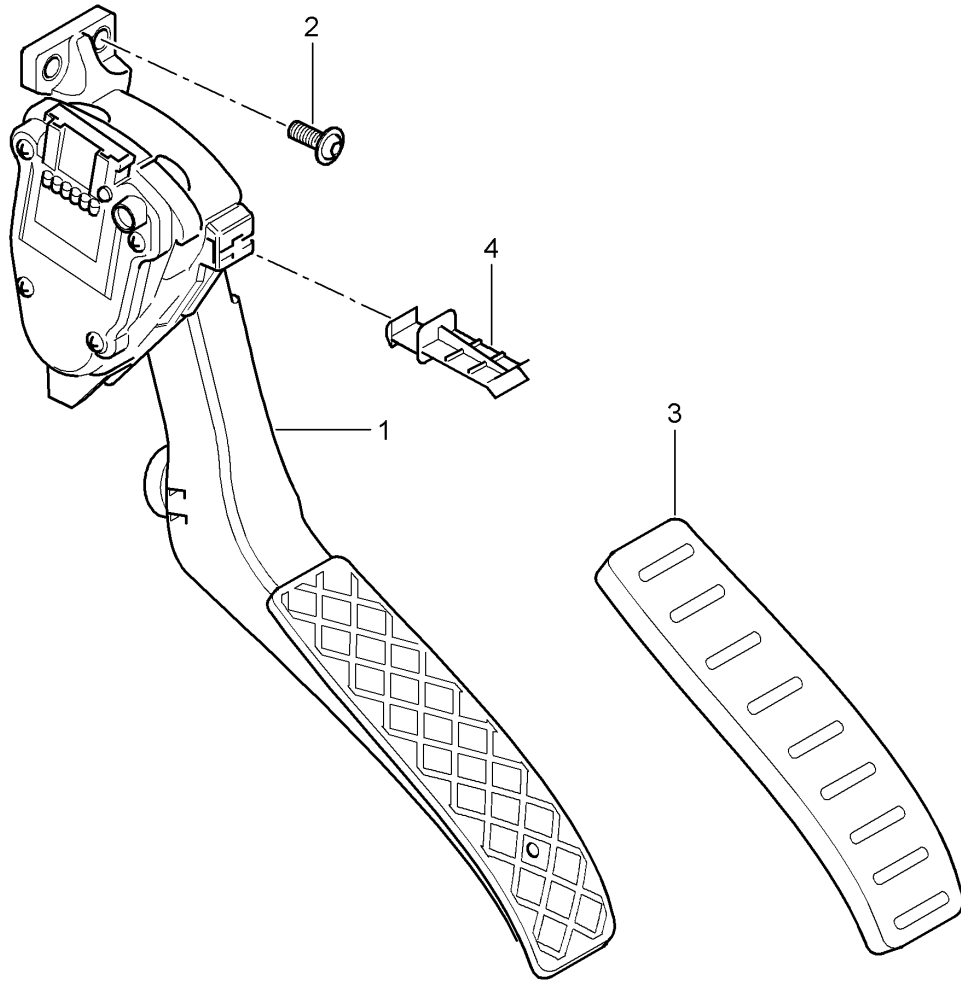


Model: 9PA108 Model life 2007>>2010

Pos	Part Number	Description	Remark	Qty	Model
		clutch actuation			PR:G0L
		Clutch master cylinder			
		Clutch tube			
1	955 423 171 01	Clutch master cylinder		1	
		D >> - MJ 2008			
(1)	955 423 171 02	Clutch master cylinder		1	
		D - MJ 2009>>			
2	955 423 670 00	Retaining clip		2	
3	955 423 312 01	Seal		1	
4	N 102 856 01	hexagon head bolt (combi)		2	
		M 6 X 25			
5	955 423 137 00	Line	lhd	1	PR:L0L
(5)	955 423 138 00	Line	rhd	1	PR:L0R
6	955 423 107 20	Clutch tube	lhd	1	PR:D5X,L0L
(6)	955 423 108 02	Clutch tube	rhd	1	PR:D5X,L0R
		D >> - MJ 2008			
(6)	955 423 108 03	Clutch tube	rhd	1	PR:D5X,L0R
		D - MJ 2009>> - MJ 2009			
(6)	955 423 108 04	Clutch tube	rhd	1	PR:D5X,L0R
		D - MJ 2010>>			
7	955 423 107 10	Clutch tube	lhd	1	PR:D5V,L0L
(7)	955 423 108 11	Clutch tube	rhd	1	PR:D5V,L0R
		D >> - MJ 2008			
(7)	955 423 108 12	Clutch tube	rhd	1	PR:D5V,L0R
		D - MJ 2009>> - MJ 2009			
(7)	955 423 108 13	Clutch tube	rhd	1	PR:D5V,L0R
		D - MJ 2010>>			
8	955 423 109 20	Clutch tube	lhd	1	PR:D5V,L0L
(8)	955 423 110 10	Clutch tube	rhd	1	PR:D5V,L0R
9	955 423 224 00	seal ring		X	
		Clutch tube			
10	955 423 225 00	seal ring		X	
		Clutch tube			
11	955 423 351 00	Bracket	lhd	1	PR:L0L
		Clutch tube			
12	955 423 361 00	Bracket	rhd	1	PR:L0R
		Clutch tube			
13	955 423 362 00	Bracket	rhd	1	PR:L0R
		Clutch tube			
14		see illustration, item:	813-090,8	X	
15	N 910 523 01	Bracket		3	
		6			
16	N 102 627 01	Double clip	rhd	1	PR:D5X,9AB, 9AD,L0R
		A01-11 X C01-14			
17	955 423 775 00	Line holder	rhd	1	PR:D5X,9AH, L0R
(17)	955 423 775 00	Line holder	rhd	1	PR:D5X,7VE, 7VL,L0R
18	955 116 237 01	Clutch slave cylinder		1	
19	N 101 560 09	Hex collared bolt		1	
		M 8 X 25			
20	N 101 245 01	Bungs		1	PR:G0L
(20)	N 101 245 01	Bungs		2	PR:G0R

Model: 9PA108

Model life 2007>>2010



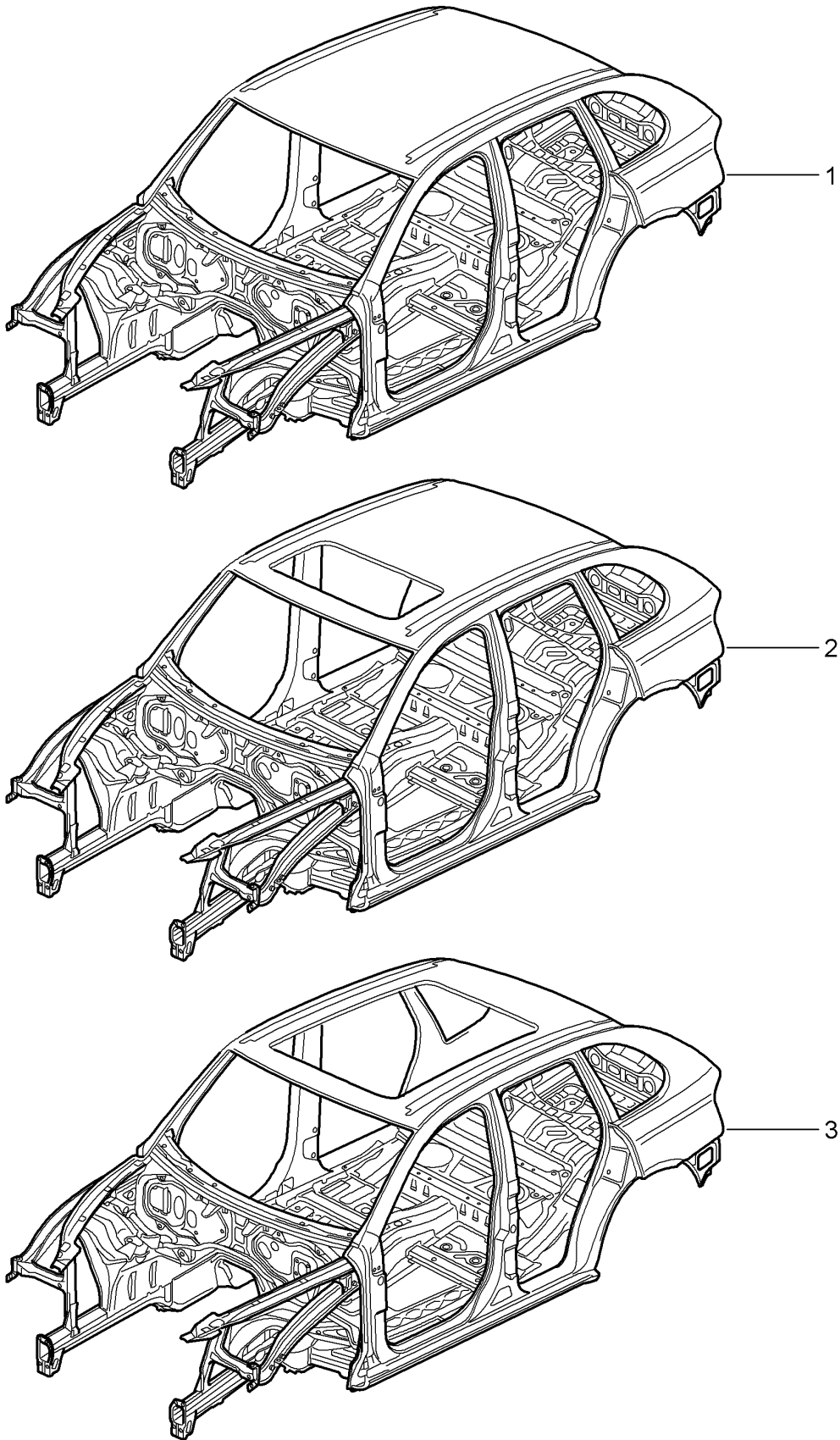
Model: 9PA108

Model life 2007>>2010

Pos	Part Number	Description	Remark	Qty	Model
		Pedals			
		throttle control			
1	955 423 021 40	throttle control	lhd	1	PR:G0L,L0L
(1)	955 423 022 50	throttle control	rhd	1	PR:G0L,L0R
1	955 423 023 40	throttle control	lhd	1	PR:G0R,L0L
(1)	955 423 024 50	throttle control	rhd	1	PR:G0R,L0R
2	955 423 157 10	Screw		3	
		DG 6 X 18			
3	955 423 210 00	Pedal cap		1	PR:D5X
(3)	955 423 210 00	Pedal cap		1	PR:D50
(3)	955 423 210 10	Pedal cap		1	PR:D5V,D5Z
4	955 573 317 00	Securing bracket		1	

Model: 9PA108

Model life 2007>>2010



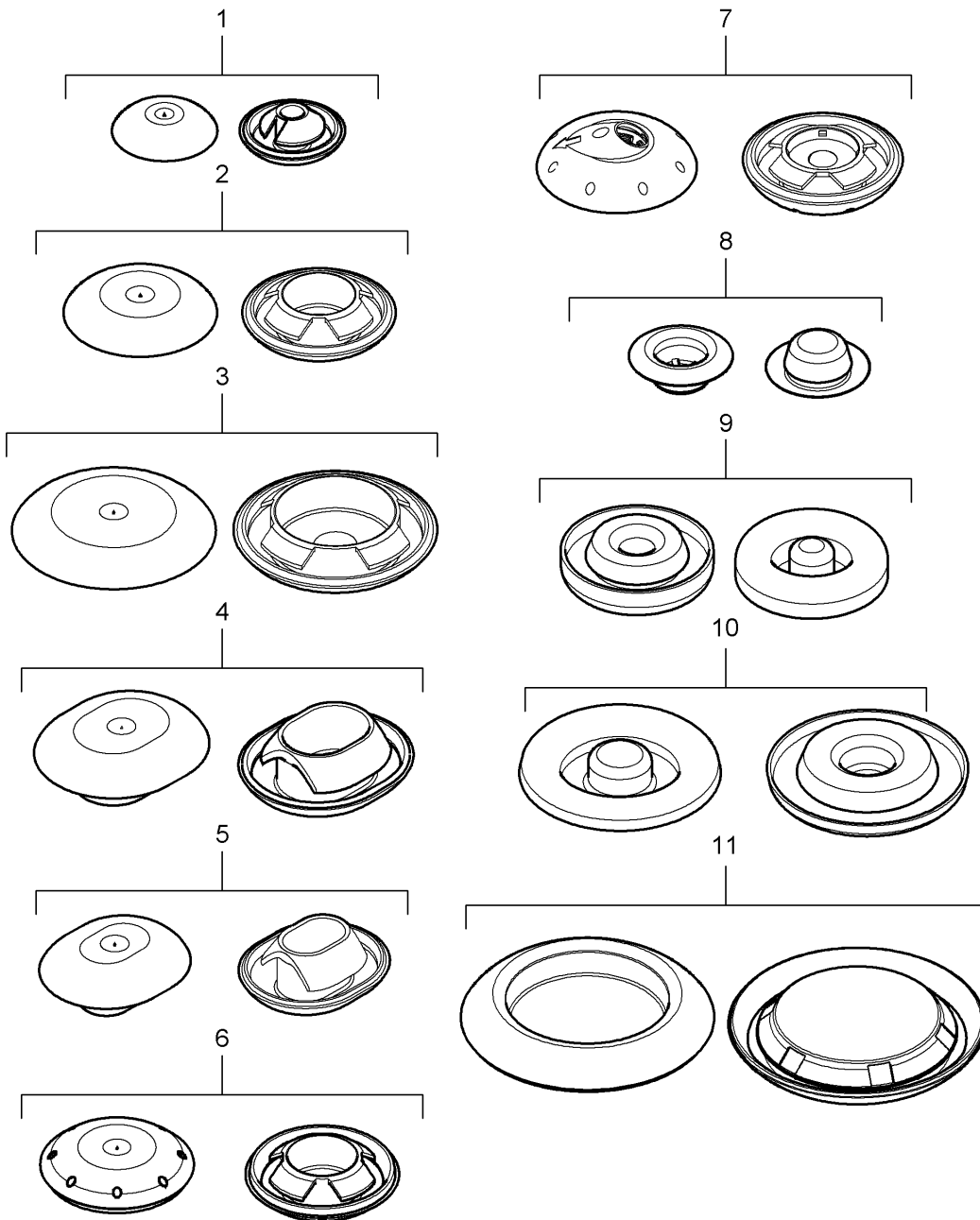
Model: 9PA108

Model life 2007>>2010

Pos	Part Number	Description	Remark	Qty	Model
-		Car body primed Sealed			
		with: Underbody protection			
		without: Doors/lids/wings			
-		Bodyshells can only only available from current Model year available			
-		The data required for your order Can be found on the Vehicle data carrier Please indicate this data in your order			
A		Vehicle data carrier			
B		Vehicle Ident. No.			
C		Order type			
D		Country equipment			
E		Optional extras			
F		Additional applications			
1	955 500 900 00	Car body		1	
	955 500 900 00 GRV	primed			
2	955 500 900 01	Car body		1	PR:3FE
	955 500 900 01 GRV	primed			
3	955 500 900 02	Car body		1	PR:3FU
	955 500 900 02 GRV	primed			

Model: 9PA108

Model life 2007>>2010



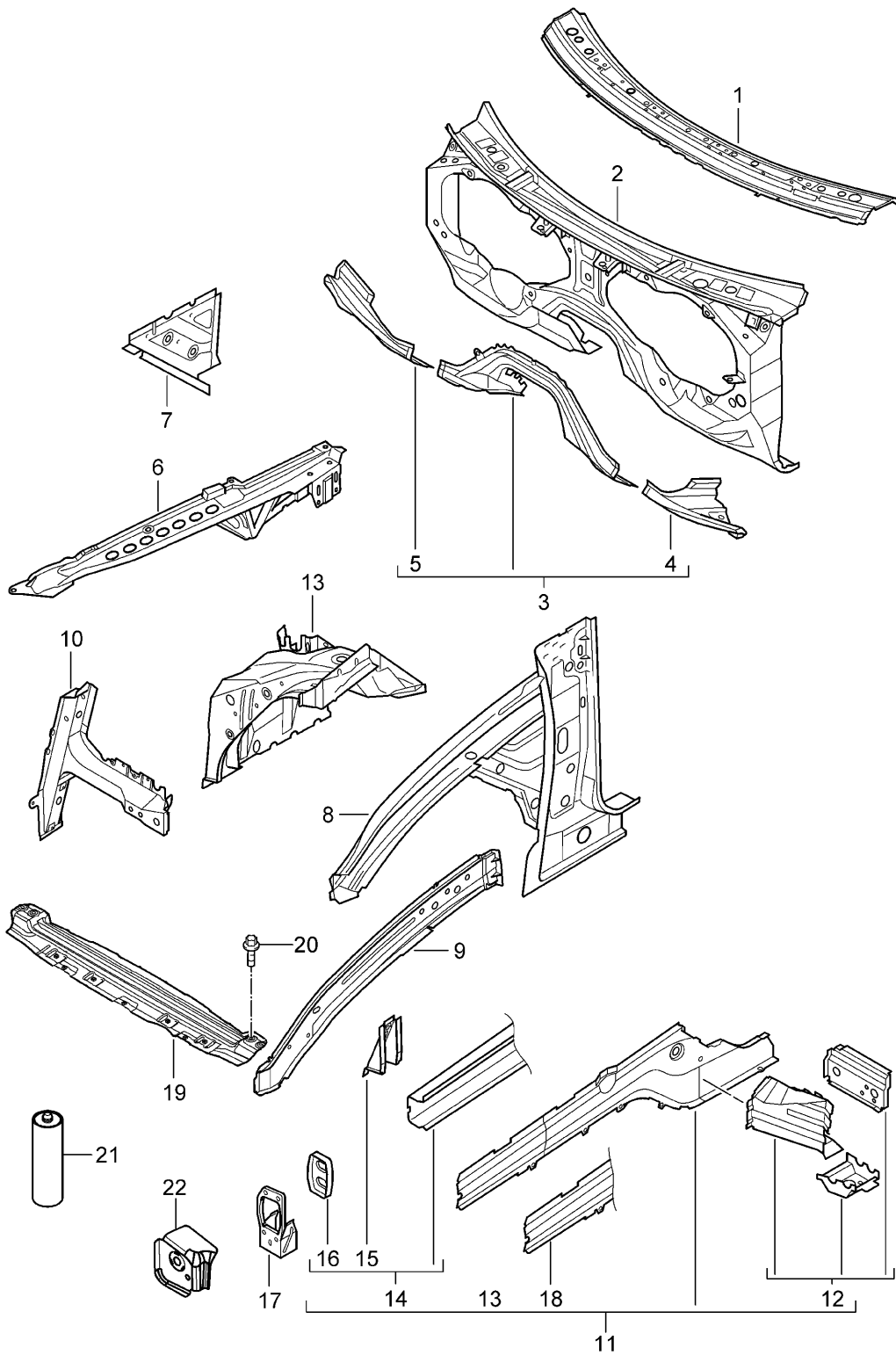
Model: 9PA108

Model life 2007>>2010

Pos	Part Number	Description	Remark	Qty	Model
		Bungs See workshop manual			
1	955 504 281 00	Bungs 10 mm		1	
2	955 504 182 00	Bungs 20 mm		1	
3	955 504 183 00	Bungs 30 mm		1	
4	955 504 184 00	Bungs 20 x 25		1	
5	955 504 185 00	Bungs 15 x 20		1	
6	955 504 187 00	Bungs 20 mm		1	
7	955 512 188 00	Water drain valve 20 mm		1	
8	999 703 462 40	End cap 10 mm		1	
9	N 102 267 01	Bungs 20 mm		1	
(9)	958 504 183 00	Bungs 20 mm		1	
10	N 102 265 01	Bungs 30 mm		1	
(10)	958 504 185 00	Bungs 40 mm		1	
11	955 511 196 00	Bungs 15 mm		1	

Model: 9PA108

Model life 2007>>2010



Model: 9PA108 Model life 2007>>2010

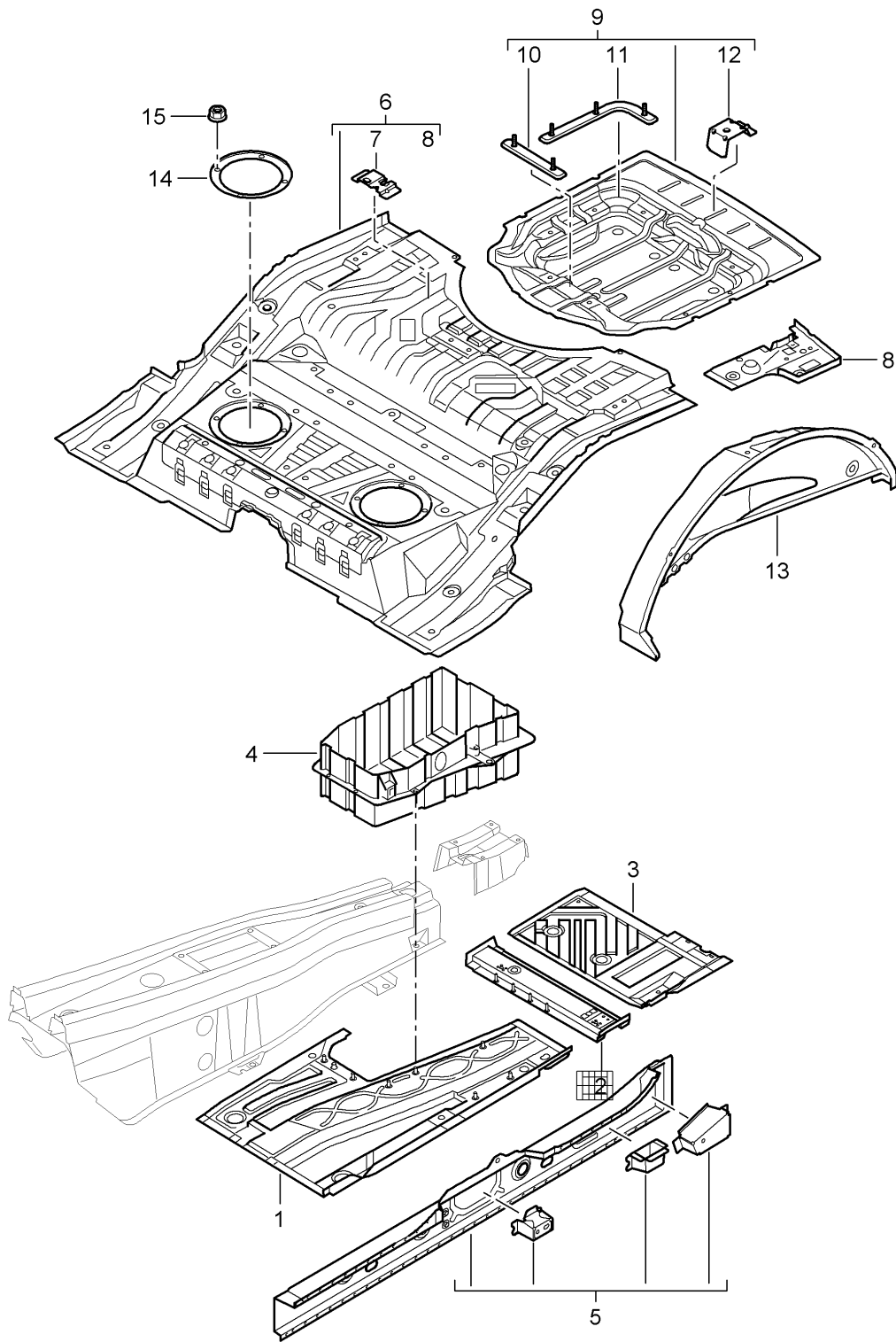
Pos	Part Number	Description	Remark	Qty	Model
1	955 502 713 01	Front end Individual parts Scuttle		1	
		also use:	000 043 207 67	1	
2	955 502 713 01 GRV 955 502 147 01	primed Firewall		1	
		also use:	000 043 207 67	1	
-	955 502 147 01 GRV 000 043 206 82	primed sealant		X	
		See technical manual			
3	955 502 469 01	Cross member		1	
		also use:	000 043 207 67	1	
4	955 502 469 01 GRV 955 502 273 00	primed Cross member	left	1	
		also use:	000 043 207 67	1	
5	955 502 273 00 GRV 955 502 274 01	primed Cross member	right	1	
		also use:	000 043 207 67	1	
6	955 502 274 01 GRV 955 501 091 02	primed Carrier	left	1	
		also use:	000 043 207 67	1	
(6)	955 501 091 02 GRV 955 501 092 02	primed Carrier	right	1	
		also use:	000 043 207 67	1	
7	955 501 092 02 GRV 955 501 361 01	primed Closing element	left	1	
		also use:	000 043 207 67	1	
(7)	955 501 361 01 GRV 955 501 362 01	primed Closing element	right	1	
		also use:	000 043 207 67	1	
8	955 501 362 01 GRV 955 501 191 03	primed A-pillar	left	1	
		also use:	000 043 207 67 000 043 305 51	1 1	
(8)	955 501 191 03 GRV 955 501 192 03	primed A-pillar	right	1	
		also use:	000 043 207 67 000 043 305 51	1 1	
9	955 501 192 03 GRV 955 501 111 03	primed Side member	left	1	
		also use:	000 043 207 67 000 043 305 51	1 1	
(9)	955 501 111 03 GRV 955 501 112 03	primed Side member	right	1	
		also use:	000 043 207 67 000 043 305 51	1 1	
10	955 501 112 03 GRV 955 501 457 03	primed Support	left	1	
		also use:	000 043 207 67	1	
(10)	955 501 457 03 GRV 955 501 458 04	primed Support	right	1	
		also use:	000 043 207 67	1	
11	955 501 458 04 GRV 955 501 991 04	primed Side member	left	1	
		also use:	000 043 207 67 000 043 305 51	2 2	
(11)	955 501 991 04 GRV 955 501 992 03	primed Side member	right	1	
		also use:	000 043 207 67 000 043 305 51	2 2	
12	955 501 992 03 GRV 955 501 975 00	primed Junction plate	left	1	
		also use:	000 043 207 67	1	

Model: 9PA108 Model life 2007>>2010

Pos	Part Number	Description	Remark	Qty	Model
			000 043 305 51	1	
(12)	955 501 975 00 GRV	primed			
	955 501 976 01	Junction plate	right	1	
		also use:	000 043 207 67	1	
			000 043 305 51	1	
13	955 501 976 01 GRV	primed			
	955 501 941 04	Suspension strut mounting	left	1	
		also use:	000 043 207 67	1	
(13)	955 501 941 04 GRV	primed			
	955 501 942 04	Suspension strut mounting	right	1	
		also use:	000 043 207 67	1	
14	955 501 942 04 GRV	primed			
	955 501 905 03	Side member	left	1	
			inner		
		also use:	000 043 207 67	1	
(14)	955 501 905 03 GRV	primed			
	955 501 906 02	Side member	right	1	
			inner		
		also use:	000 043 207 67	1	
15	955 501 906 02 GRV	primed			
	955 501 669 00	Console	left	1	
(15)	955 501 669 00 GRV	primed			
	955 501 670 00	Console	right	1	
16	955 501 670 00 GRV	primed			
	955 501 409 00	Web plate	left	1	
(16)	955 501 409 00 GRV	primed			
	955 501 410 00	Web plate	right	1	
17	955 501 410 00 GRV	primed			
	955 501 377 00	Shock absorber mounting	left	1	
		Discontinued part			
(17)	955 501 377 00 GRV	primed			
	955 501 378 00	Shock absorber mounting	right	1	
		Discontinued part			
18	955 501 378 00 GRV	primed			
	955 501 907 01	Side member	left	1	
		also use:	000 043 305 51	1	
(18)	955 501 907 01 GRV	primed			
	955 501 908 01	Side member	right	1	
		also use:	000 043 305 51	1	
19	955 501 908 01 GRV	primed			
	955 505 549 00	Cross member		1	
20	955 505 549 00 GRV	primed			
	N 104 032 03	Hexagon bolt		4	
		M 8 X 16			
21	000 043 204 85	cavity preservative agent		X	
		400 ML			
22	955 501 199 00	Bracket	right	1	
	955 501 199 00 GRV	primed			

Model: 9PA108

Model life 2007>>2010



Model: 9PA108 Model life 2007>>2010

Pos	Part Number	Description	Remark	Qty	Model
1	955 502 015 00	Floor Bottom plate	left	1	
			also use:		
	955 502 015 00 GRV	primed	000 043 207 67	1	
(1)	955 502 016 00	Bottom plate	right	1	
			also use:		
	955 502 016 00 GRV	primed	000 043 207 67	1	
2	955 502 301 00	Seat support	left	1	
			also use:		
	955 502 301 00 GRV	primed	000 043 207 67	1	
	955 502 301 00 GRV	primed	000 043 305 51	1	
(2)	955 502 302 00	Seat support	right	1	
			also use:		
	955 502 302 00 GRV	primed	000 043 207 67	1	
	955 502 302 00 GRV	primed	000 043 305 51	1	
3	955 502 205 00	Bottom plate	left	1	
			also use:		
	955 502 205 00 GRV	primed	000 043 207 67	1	
(3)	955 502 206 00	Bottom plate	right	1	
			also use:		
	955 502 206 00 GRV	primed	000 043 207 67	1	
4	955 502 206 00 GRV	primed battery box		1	
		see illustration:	902-005		
5	955 502 251 01	Sill	left	1	
			also use:		
	955 502 251 01 GRV	primed	000 043 207 67	1	
(5)	955 502 252 01	Sill	right	1	
			also use:		
	955 502 252 01 GRV	primed	000 043 207 67	1	
-	955 504 187 00	Bungs 20 MM		X	
6	955 501 011 00	Bottom plate		1	
			also use:		
	955 501 011 00 GRV	primed	000 043 207 67	2	
7	955 502 755 00	Bracket	left	1	
	955 502 755 00 GRV	primed			
(7)	955 502 756 00	Bracket	right	1	
	955 502 756 00 GRV	primed			
8	955 501 569 00	Floor section	left	1	
			also use:		
	955 501 569 00 GRV	primed	000 043 207 67	1	
(8)	955 501 570 00	Floor section	right	1	
			also use:		
	955 501 570 00 GRV	primed	000 043 207 67	1	
9	955 501 261 00	Spare wheel well		1	
			also use:		
	955 501 261 00 GRV	primed	000 043 207 67	2	
10	955 502 373 00	Retainer for battery		1	
	955 502 373 00 GRV	primed			
11	955 502 367 00	Retainer for battery	left	1	
	955 502 367 00 GRV	primed			
(11)	955 502 368 00	Retainer for battery	right	1	
	955 502 368 00 GRV	primed			
12	955 502 717 00	spare wheel bracket		1	
	955 502 717 00 GRV	primed			
13	955 502 425 00	Wheel housing	left	1	
			also use:		
	955 502 425 00 GRV	primed	000 043 207 67	1	
(13)	955 502 426 00	Wheel housing	right	1	
			also use:		
	955 502 426 00 GRV	primed	000 043 207 67	1	

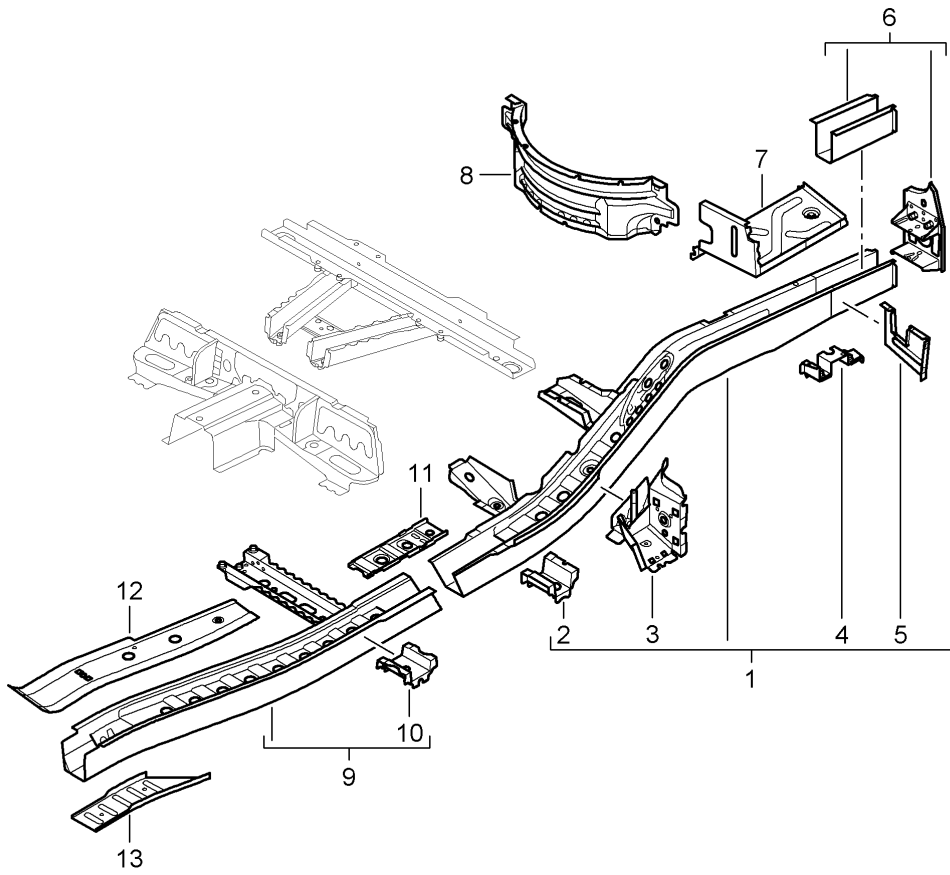
Model: 9PA108

Model life 2007>>2010

Pos	Part Number	Description	Remark	Qty	Model
-	000 043 204 85	cavity preservative agent 400 ML		X	
14	955 501 959 00	Cover Sensor Fuel tank		2	
15	N 904 560 02	Hexagon collar nut M 6		8	

Model: 9PA108

Model life 2007>>2010



Model: 9PA108 Model life 2007>>2010

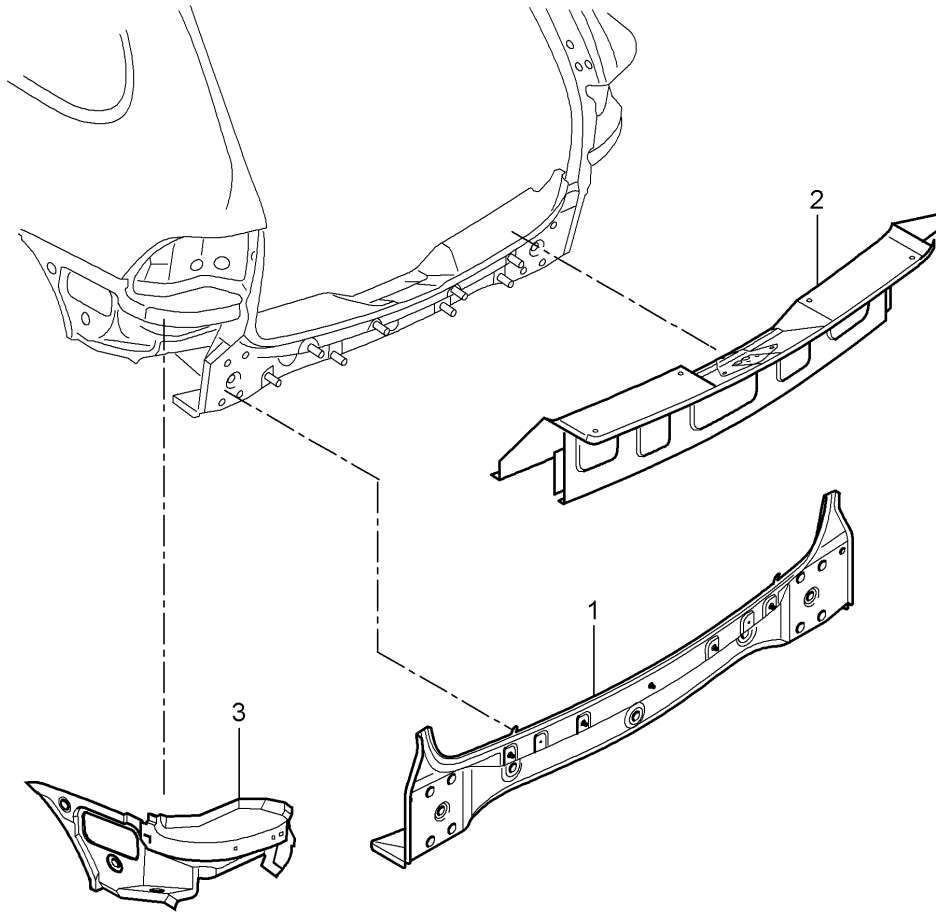
Pos	Part Number	Description	Remark	Qty	Model
1	955 501 401 02	Frame Side member	left	1	
		also use:	000 043 207 67	2	
			000 043 305 51	2	
(1)	955 501 401 02 GRV	primed			
	955 501 402 02	Side member	right	1	
		also use:	000 043 207 67	2	
			000 043 305 51	2	
	955 501 402 02 GRV	primed			
2	955 501 227 00	Support	left	1	
		also use:	000 043 207 67	1	
	955 501 227 00 GRV	primed			
(2)	955 501 228 00	Support	right	1	
		also use:	000 043 207 67	1	
	955 501 228 00 GRV	primed			
3	955 501 717 00	Closing element	left	1	
		also use:	000 043 207 67	1	
	955 501 717 00 GRV	primed			
(3)	955 501 718 00	Closing element	right	1	
		also use:	000 043 207 67	1	
	955 501 718 00 GRV	primed			
4	955 501 381 00	Retainer for exhaust system	left	1	
		also use:	000 043 207 67	1	
	955 501 381 00 GRV	primed			
(4)	955 501 382 00	Retainer for exhaust system	right	1	
		also use:	000 043 207 67	1	
	955 501 382 00 GRV	primed			
5	955 501 537 00	Closing element	left	1	
		also use:	000 043 207 67	1	
	955 501 537 00 GRV	primed			
(5)	955 501 538 00	Closing element	right	1	
		also use:	000 043 207 67	1	
	955 501 538 00 GRV	primed			
6	955 501 933 00	Side member	left	1	
		also use:	000 043 207 67	1	
			000 043 305 51	1	
	955 501 933 00 GRV	primed			
(6)	955 501 934 00	Side member	right	1	
		also use:	000 043 207 67	1	
			000 043 305 51	1	
	955 501 934 00 GRV	primed			
7	955 501 089 00	Floor section	left	1	
		also use:	000 043 207 67	1	
	955 501 089 00 GRV	primed			
(7)	955 501 090 00	Floor section	right	1	
		also use:	000 043 207 67	1	
	955 501 090 00 GRV	primed			
8	955 501 533 00	Cross member for spare wheel well		1	
		also use:	000 043 207 67	1	
	955 501 533 00 GRV	primed			
9	955 501 019 00	Side member	left	1	
		also use:	000 043 207 67	2	
			000 043 305 51	2	
	955 501 019 00 GRV	primed			
(9)	955 501 020 00	Side member	right	1	
		also use:	000 043 207 67	2	
			000 043 305 51	2	
	955 501 020 00 GRV	primed			
10	955 501 757 00	Extension		2	
		also use:	000 043 207 67	1	
	955 501 757 00 GRV	primed			

Model: 9PA108 Model life 2007>>2010

Pos	Part Number	Description	Remark	Qty	Model
11	955 502 699 00	Reinforcement for side member		2	
			000 043 207 67	1	
		also use:			
	955 502 699 00 GRV	primed			
12	955 502 075 00	Reinforcement	left	1	
			also use:		
			000 043 207 67	1	
			000 043 305 51	1	
	955 502 075 00 GRV	primed			
(12)	955 502 076 00	Reinforcement	right	1	
			also use:		
			000 043 207 67	1	
			000 043 305 51	1	
	955 502 076 00 GRV	primed			
13	955 502 871 00	Reinforcement for side member	left	1	
	955 502 871 00 GRV	primed			
(13)	955 502 872 00	Reinforcement for side member	right	1	
	955 502 872 00 GRV	primed			
-	000 043 204 85	cavity preservative agent		X	
		400 ML			

Model: 9PA108

Model life 2007>>2010



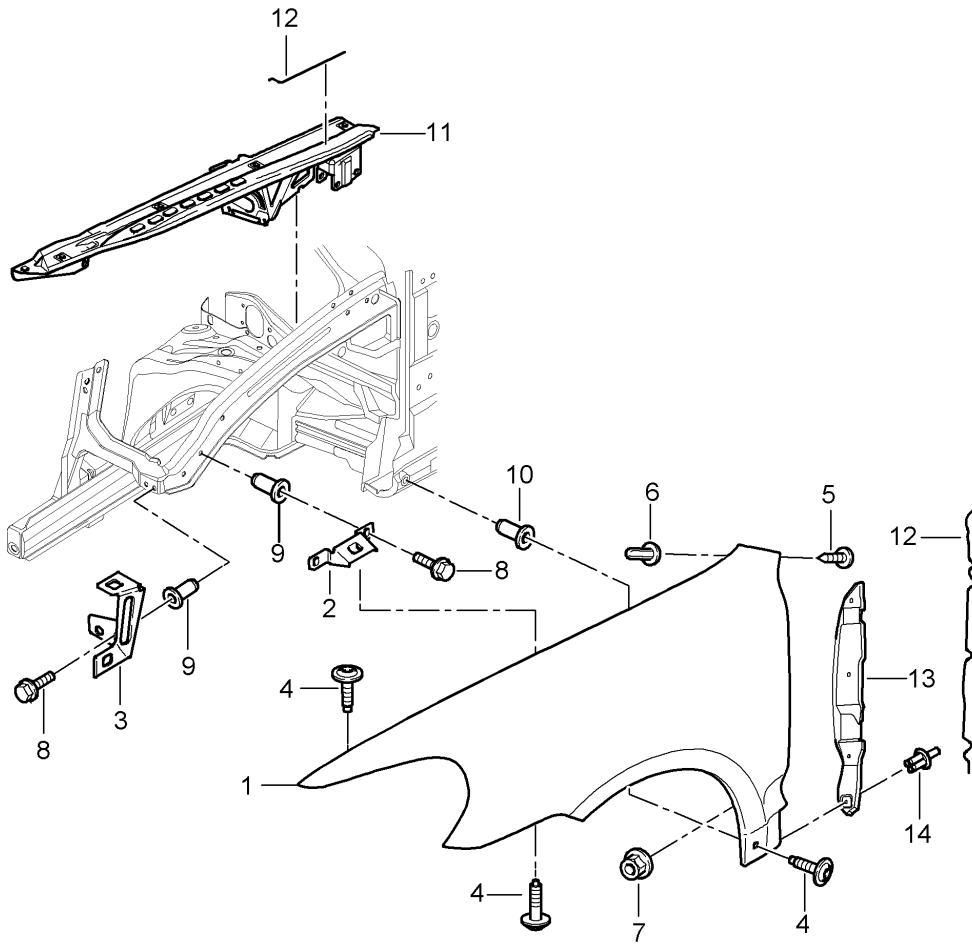
Model: 9PA108

Model life 2007>>2010

Pos	Part Number	Description	Remark	Qty	Model
1	955 501 303 01	Rear end			
		Cross panel		1	
	955 501 303 01 GRV	primed			
2	955 501 311 02	lock carrier		1	
	955 501 311 02 GRV	primed			
3	955 502 745 00	Retainer for bumper	left	1	
		also use:	000 043 207 67	1	
			000 043 305 51	1	
	955 502 745 00 GRV	primed			
(3)	955 502 746 00	Retainer for bumper	right	1	
		also use:	000 043 207 67	1	
			000 043 305 51	1	
	955 502 746 00 GRV	primed			
-	000 043 204 85	cavity preservative agent		X	
		400 ML			
-	955 504 187 00	Bungs		X	
		20 MM			
-	955 512 188 00	Water drain valve		X	
		20 MM			
-	955 504 182 00	Bungs		X	
		20 MM			

Model: 9PA108

Model life 2007>>2010



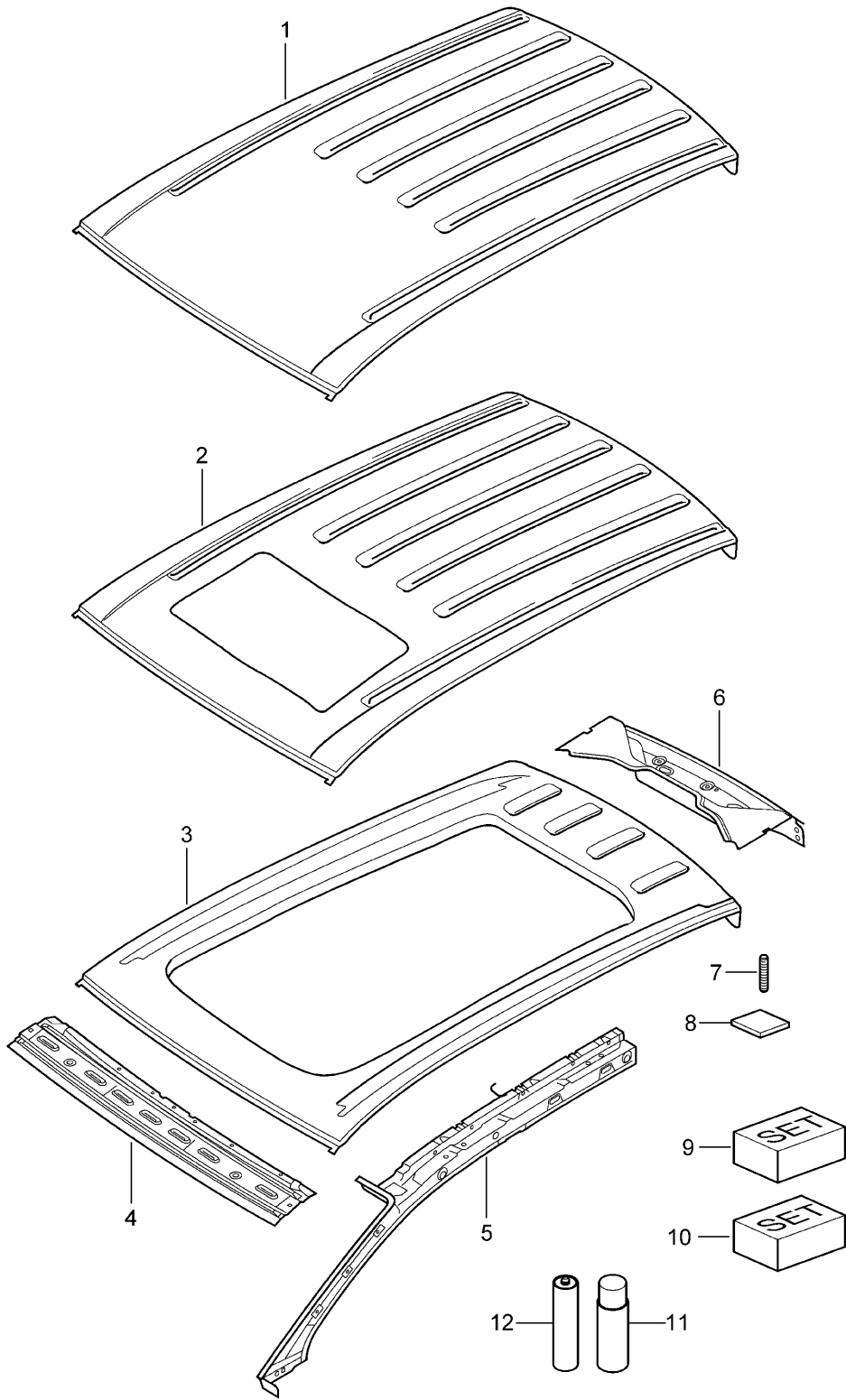
Model: 9PA108

Model life 2007>>2010

Pos	Part Number	Description	Remark	Qty	Model
1	955 503 031 02	Wing			
	955 503 031 02 GRV	Wing primed	left	1	
(1)	955 503 032 02	Wing			
	955 503 032 02 GRV	Wing primed	right	1	
2	955 503 161 00	bracket - fender		2	
	955 503 161 00 GRV	bracket - fender primed			
3	955 501 609 01	Bracket			
	955 501 609 01 GRV	Bracket primed	left	1	
(3)	955 501 610 01	Bracket			
	955 501 610 01 GRV	Bracket primed	right	1	
4	N 910 432 01	Oval hexagon socket head bolt M 6 X 14		16	
5	N 906 381 01	Torx screw M 6 X 12		X	
6	N 908 051 02	rivetted cap nut M 6		X	
7	N 908 877 02	Hexagon flange nut, self-locking M 6		X	
(8)	N 901 671 04	hexagon head bolt (combi) M 6 X 15		X	
9	N 909 350 02	rivetted cap nut M6/0,75-3,50-AV		X	
10	N 908 051 02	rivetted cap nut M6/0,80-3,00-BV		X	
11		Wing strut			
		see illustration, item:	801-010,6		
12		Seal See technical manual		1	
13	N 906 487 02	Oval hexagon socket head bolt ST 4,8 X 16		8	
13	955 504 777 01	lining for fender	left	1	
	955 504 777 01 01C	Satin black			
(13)	955 504 778 01	lining for fender	right	1	
	955 504 778 01 01C	Satin black			
14	N 038 501 2	Spreader rivet A 6 X 12		8	

Model: 9PA108

Model life 2007>>2010

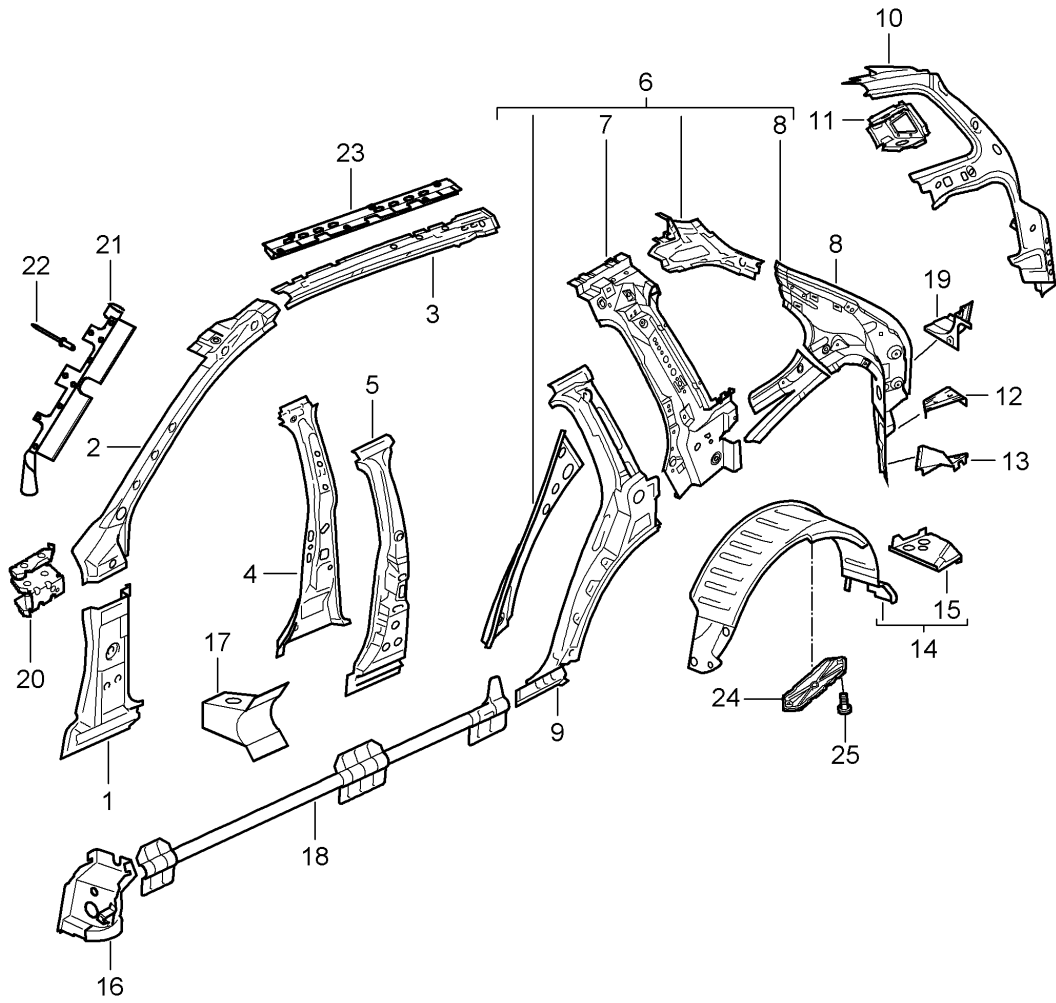


Model: 9PA108 Model life 2007>>2010

Pos	Part Number	Description	Remark	Qty	Model
1	955 503 101 00	Roof Scuttle Roof		1	
			also use: 000 043 305 35	1	
			000 043 305 65	2	
2	955 503 101 00 GRV 955 503 101 01	primed Roof for sliding roof		1	
			also use: 000 043 305 35	1	
			000 043 305 65	2	
3	955 503 101 01 GRV 955 503 101 02	primed Roof Glass roof		1	PR:3FU
			also use: 000 043 305 35	1	
			000 043 305 65	2	
4	955 503 101 02 GRV 955 502 122 01	primed Roof cross member		1	
			also use: 000 043 305 65	1	
			000 043 305 51	1	
5	955 502 122 01 GRV 955 502 287 00	primed Cross member		1	
			left	1	
			also use: 000 043 305 65	1	
			000 043 305 51	1	
(5)	955 502 287 00 GRV 955 502 288 00	primed Cross member		1	
			right	1	
			also use: 000 043 305 65	1	
			000 043 305 51	1	
6	955 502 288 00 GRV 955 502 161 02	primed roof frame		1	
			also use: 000 043 305 51	1	
7	955 502 161 02 GRV N 901 692 01	primed welded pin		4	
8	000 043 300 98	PS-CT 5X9 Distance piece See workshop manual		3	
			Group:		
9	D 180 003 M2	51 2 pack body adhesive		X	
10	000 043 205 37	Outer roof panel emulsion tube		X	
11	000 043 204 85	Supplement set cavity preservative agent		X	
11	000 043 204 85	400 ML cavity preservative agent		X	
12	000 043 305 32	400 ML sealant 310 ML		X	

Model: 9PA108

Model life 2007>>2010



Model: 9PA108 Model life 2007>>2010

Pos	Part Number	Description	Remark	Qty	Model
1	955 502 203 00	Side part Reinforcement for A-pillar	inner left	1	
		also use:	000 043 305 51	1	
(1)	955 502 203 00 GRV	primed			
	955 502 204 00	Reinforcement for A-pillar	right	1	
		also use:	000 043 305 51	1	
2	955 502 204 00 GRV	primed			
	955 502 193 01	Reinforcement for A-pillar	left	1	
		also use:	000 043 305 51	1	
(2)	955 502 193 01 GRV	primed			
	955 502 194 01	Reinforcement for A-pillar	right	1	
		also use:	000 043 305 51	1	
3	955 502 194 01 GRV	primed			
	955 502 249 00	Roof frame reinforcement	left	1	
		also use:	000 043 305 51	1	
(3)	955 502 249 00 GRV	primed			
	955 502 250 01	Roof frame reinforcement	right	1	
		also use:	000 043 305 51	1	
4	955 502 250 01 GRV	primed			
	955 502 443 02	B-pillar	left	1	
		also use:	000 043 305 51	1	
(4)	955 502 443 02 GRV	primed			
	955 502 444 03	B-pillar	right inner	1	
		also use:	000 043 305 51	1	
5	955 502 444 03 GRV	primed			
	955 502 607 00	Reinforcement for B-pillar	left inner	1	
		also use:	000 043 305 51	1	
(5)	955 502 607 00 GRV	primed			
	955 502 608 00	Reinforcement for B-pillar	right inner	1	
		also use:	000 043 305 51	1	
6	955 502 608 00 GRV	primed			
	955 502 403 03	Side part	left	1	
		also use:	000 043 305 51	3	
(6)	955 502 403 03 GRV	primed			
	955 502 404 04	Side part	right	1	
		also use:	000 043 305 51	3	
7	955 502 404 04 GRV	primed			
	955 502 545 00	c-pillar	left inner	1	
		also use:	000 043 305 51	1	
(7)	955 502 545 00 GRV	primed			
	955 502 546 00	c-pillar	right inner	1	
		also use:	000 043 305 51	1	
8	955 502 546 00 GRV	primed			
	955 502 289 02	d-pillar	left inner	1	
		also use:	000 043 305 51	1	
(8)	955 502 289 02 GRV	primed			
	955 502 290 02	d-pillar	right inner	1	
		also use:	000 043 305 51	1	
9	955 502 290 02 GRV	primed			
	955 502 263 00	c-pillar	left outer	1	
		also use:	000 043 305 51	1	
(9)	955 502 263 00 GRV	primed			
	955 502 264 00	c-pillar	right outer	1	

Model: 9PA108 Model life 2007>>2010

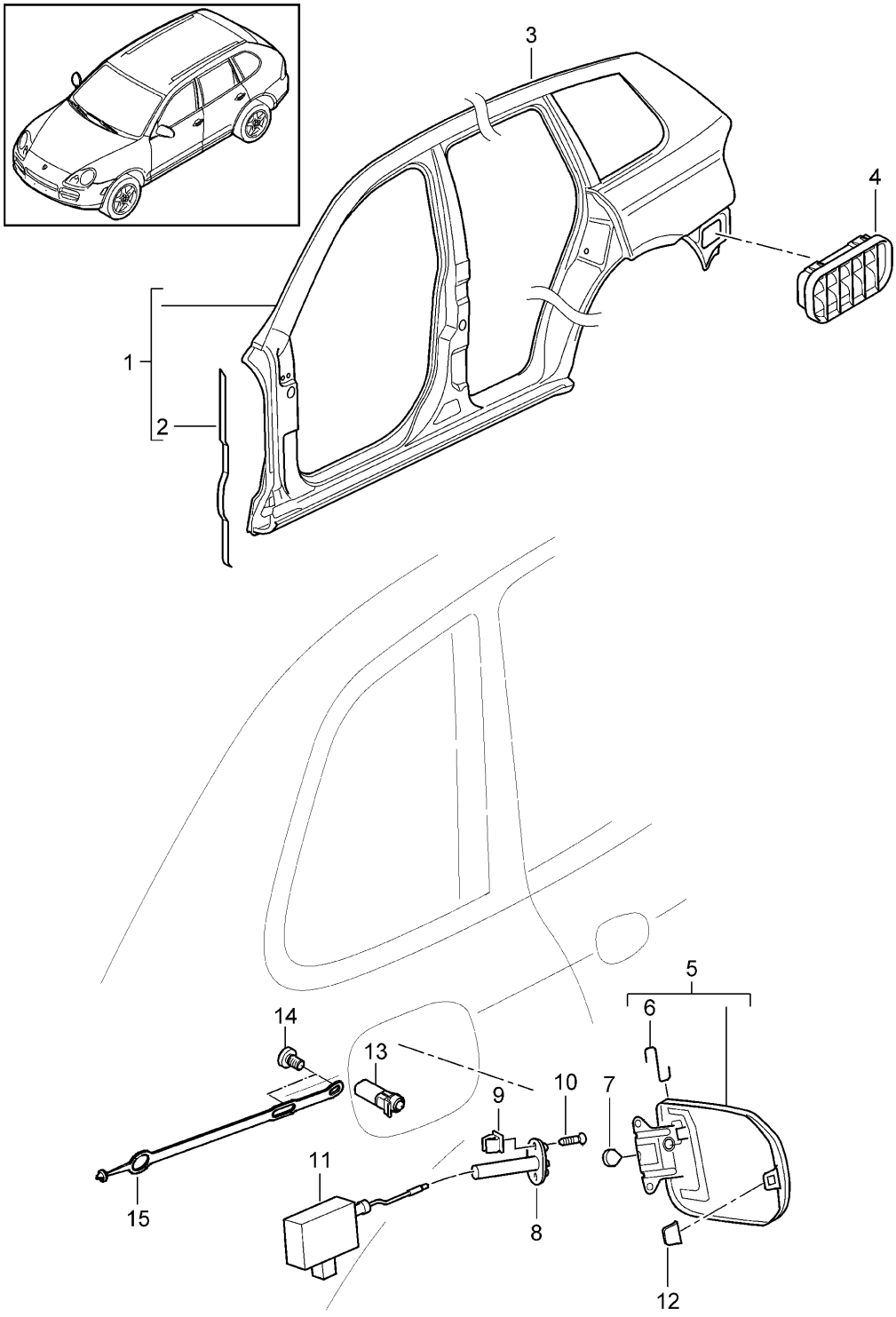
Pos	Part Number	Description	Remark	Qty	Model
			also use:	000 043 305 51	1
10	955 502 264 00 GRV	primed			
	955 502 299 01	Reinforcement for D-pillar	left	1	
			also use:	000 043 305 51	1
(10)	955 502 299 01 GRV	primed			
	955 502 300 00	Reinforcement for D-pillar	right	1	
			also use:	000 043 305 51	1
11	955 502 300 00 GRV	primed			
	955 502 549 01	Reinforcement for spare-wheel attachments		1	
12	955 502 549 01 GRV	primed			
	955 502 259 00	Corner piece d-pillar	left	1	
			also use:	000 043 305 51	1
(12)	955 502 259 00 GRV	primed			
	955 502 260 00	Corner piece d-pillar	right	1	
			also use:	000 043 305 51	1
13	955 502 260 00 GRV	primed			
	955 502 677 01	Corner piece	left	1	
			also use:	000 043 305 51	1
(13)	955 502 677 01 GRV	primed			
	955 502 678 01	Corner piece	right	1	
			also use:	000 043 305 51	1
14	955 502 678 01 GRV	primed			
	955 502 409 02	Wheel housing	left	1	
			also use:	000 043 207 67	1
				000 043 305 51	1
(14)	955 502 409 02 GRV	primed			
	955 502 410 02	Wheel housing	right	1	
			also use:	000 043 207 67	1
				000 043 305 51	1
15	955 502 410 02 GRV	primed			
	955 502 307 02	Corner piece	left	1	
			also use:	000 043 207 67	1
(15)	955 502 307 02 GRV	primed			
	955 502 308 00	Corner piece	right	1	
			also use:	000 043 207 67	1
16	955 502 308 00 GRV	primed			
	955 502 221 01	Closing element	left	1	
			also use:	000 043 207 67	1
				000 043 305 51	1
(16)	955 502 221 01 GRV	primed			
	955 502 222 00	Closing element	right	1	
			also use:	000 043 207 67	1
				000 043 305 51	1
17	955 502 222 00 GRV	primed			
	955 502 693 00	Support		2	
			also use:	000 043 305 51	1
18	955 502 693 00 GRV	primed			
	955 502 839 01	Reinforcement	left	1	
			also use:	000 043 305 51	2
(18)	955 502 839 01 GRV	primed			
	955 502 840 01	Reinforcement	right	1	
			also use:	000 043 305 51	2
19	955 502 840 01 GRV	primed			
	955 502 505 00	Junction plate	left	1	
			also use:	000 043 305 51	1
(19)	955 502 505 00 GRV	primed			
	955 502 506 00	Junction plate	right	1	
			also use:	000 043 305 51	1

Model: 9PA108 Model life 2007>>2010

Pos	Part Number	Description	Remark	Qty	Model
-	955 502 506 00 GRV 000 043 204 85	primed cavity preservative agent 400 ML		X	
20	955 502 623 01	Hinge reinforcement A-pillar	left	1	
		also use:	000 043 305 51	1	
(20)	955 502 623 01 GRV 955 502 624 01	primed Hinge reinforcement A-pillar	right	1	
		also use:	000 043 305 51	1	
21	955 502 624 01 GRV 955 503 561 00	primed deformation element A-pillar	left	1	
		also use:	N 906 948 02	6	
(21)	955 503 561 00 GRV 955 503 562 00	primed deformation element A-pillar	right	1	
		also use:	N 906 948 02	6	
24	955 503 562 00 GRV 955 572 077 00	primed Sealing flange		1	PR: 9AB, 9AD
25	N 102 070 02	Socket head bolt with inner multipoint head M6 X 15		2	

Model: 9PA108

Model life 2007>>2010

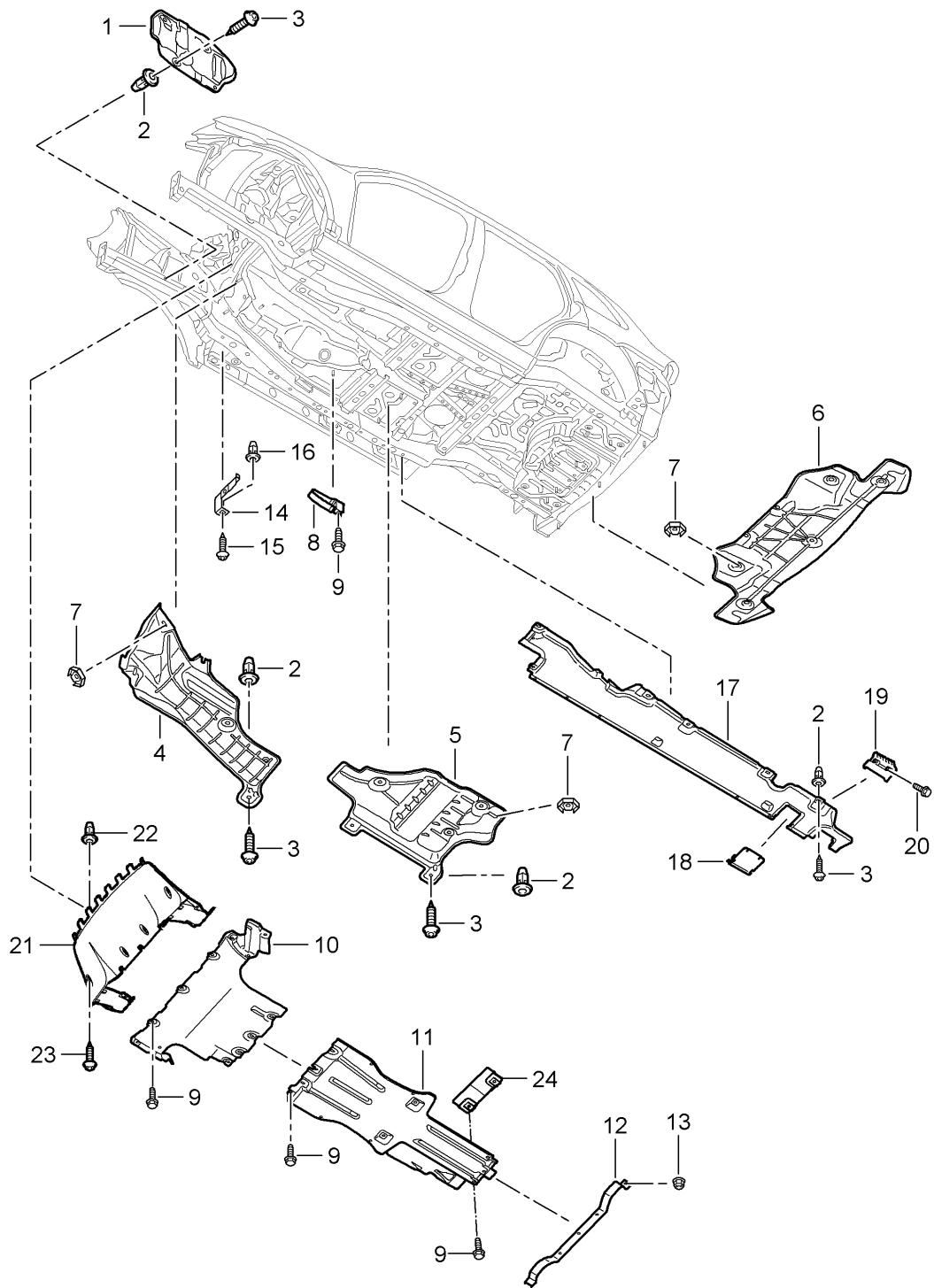


Model: 9PA108 Model life 2007>>2010

Pos	Part Number	Description	Remark	Qty	Model
1	955 503 935 01	Side part	outer	1	
		Side part	left	1	
			also use:		
	955 503 935 01 GRV	primed	000 043 305 51	1	
(1)	955 503 936 01	Side part	right	1	
			also use:		
	955 503 936 01 GRV	primed	000 043 305 51	1	
2	955 502 573 01	Rail	left	1	
	955 502 573 01 GRV	primed			
(2)	955 502 574 01	Rail	right	1	
	955 502 574 01 GRV	primed			
3	955 503 943 01	Side part	left	1	
			also use:		
	955 503 943 01 GRV	primed	000 043 305 51	1	
(3)	955 503 944 00	Side part	right	1	
			also use:		
	955 503 944 00 GRV	primed	000 043 305 51	1	
4	955 504 181 02	Frame		2	
5	955 504 133 03	Fuel filler flap		1	
	955 504 133 03 GRV	primed			
6	955 504 131 00	Spring		1	
7	N 903 598 01	Stop buffer		1	
8	955 504 899 02	guide sleeve		1	
9	999 591 762 40	insert nut		2	
10	900 145 041 07	panel screw		2	
		ST 3,5 X 16			
11	955 624 773 02	throttle control element		1	
-	000 043 204 85	cavity preservative agent		X	
		400 ML			
12	955 504 910 00	Guide		1	
		for			
		Fuel filler flap			
13	955 504 986 00	Opener		1	
		Discontinued part			
13	955 504 986 01	Opener		1	
		for			
		Fuel filler flap			
14	N 101 703 01	round hd. screw		2	
		M6 X 10			
15	955 504 165 00	Emergency operation		1	
		Fuel filler flap			

Model: 9PA108

Model life 2007>>2010



Model: 9PA108

Model life 2007>>2010

Pos	Part Number	Description	Remark	Qty	Model
		Trim			
		Underbody			
		Heat insulation			
1	955 504 615 01	Heat insulation	left	1	
(1)	955 504 616 01	Heat insulation	right	1	
		Engine bay			
2	N 910 190 01	expanding nut		X	
		D-7 X 20			
3	N 908 082 01	Hexagon socket head panel bolt		X	
		M6 X 18,5			
4	955 504 661 01	Heat insulation	left	1	
(4)	955 504 662 01	Heat insulation	right	1	
		tunnel	front		
5	955 504 681 02	Heat shield for tunnel	center	1	
6	955 504 711 03	Heat shield for rear		1	
		silencer			
		for			
7	N 906 431 01	speed nut		X	
8	955 504 263 00	arm	rear	2	
		Guard plate			
9	N 910 345 01	hexagon head bolt (combi)		X	
		M6 X 20			
10	955 504 285 01	Underbody protection	front	1	PR:6EA,6EQ, 6ET
(10)	955 504 235 01	Underbody protection	front	1	PR:6EP,6ES, 6GE,6GF
11	955 504 231 01	Underbody protection		1	PR:D5X
(11)	955 504 231 01	Underbody protection		1	PR:D5V,G0R
(11)	955 504 231 02	Underbody protection		1	PR:D5V,G0L
(11)	955 504 231 03	Underbody protection	rear	1	PR:D5Z
(11)	955 504 231 04	Underbody protection	rear	1	PR:D5V,E0W, E2D,G0L
(11)	955 504 231 05	Underbody protection	rear	1	PR:D5V,E0W, E2D,G0R
(11)	955 504 231 06	Underbody protection	rear	1	PR:D50
12	955 504 955 00	Carrier		1	PR:G0R
		Discontinued part			
12	955 504 955 01	Carrier	rear	1	PR:G0L
13	N 908 877 01	Hexagon flange nut, self-locking		2	
		M6			
14	955 504 241 00	Bracket	left	1	
(14)	955 504 242 00	Bracket	right	1	
15	N 909 210 01	Hexagon bolt		1	
16	N 904 085 02	rivetted cap nut		1	
		M8/0,5-3,0			
17	955 504 211 01	Trim	left	1	
		Underbody			
(17)	955 504 212 01	Trim	right	1	
		Underbody			
18	955 504 271 00	Cover	left	1	
		socket - jack			
(18)	955 504 272 00	Cover	right	1	
		socket - jack			
19	955 504 123 01	mounting plate		2	
		socket - jack			
20	N 904 121 02	Socket head bolt with hexagon socket head (combination)		4	
		M6 X 25			
		mounting plate			
		jack			
21	955 504 901 00	Front spoiler		1	
	955 504 901 00 9B9	Satin black			

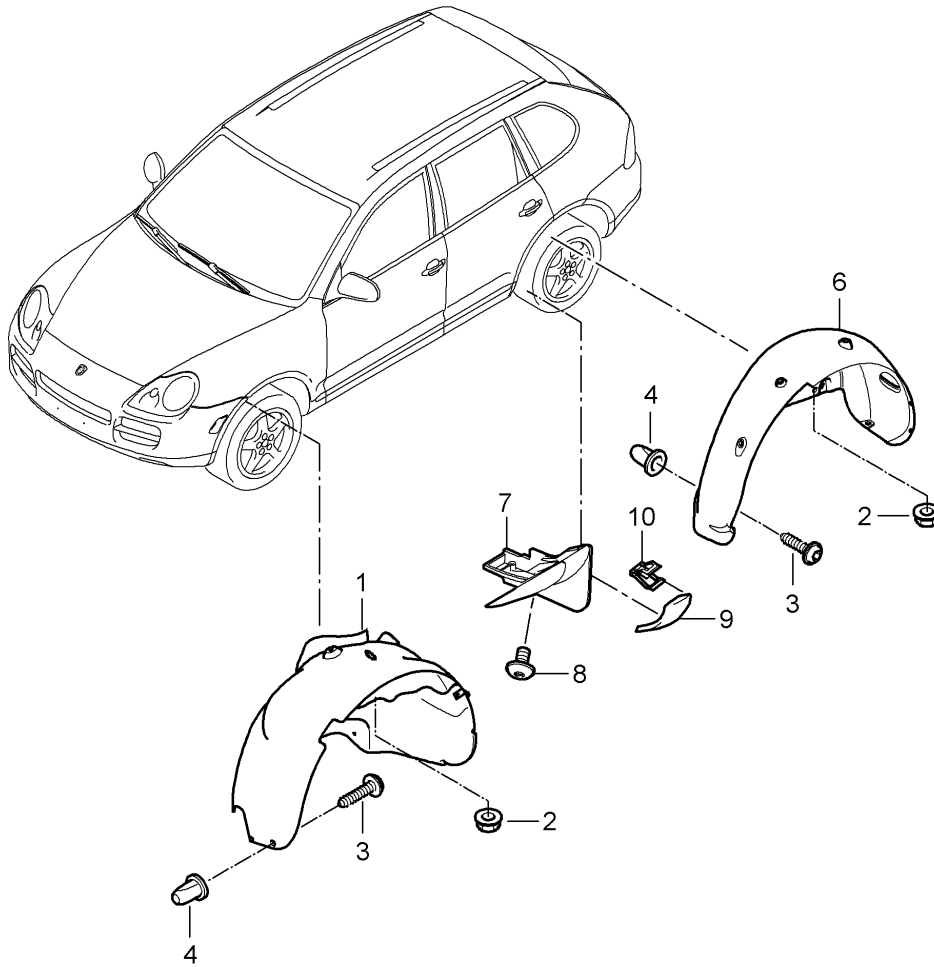
Model: 9PA108

Model life 2007>>2010

Pos	Part Number	Description	Remark	Qty	Model
22	N 908 338 01	expanding nut 4,8 X 12,0		X	
23	N 906 487 01	Oval hexagon socket head bolt ST 4,8 X 16		X	
24	955 504 199 00	Bracket transmission carrier		1	

Model: 9PA108

Model life 2007>>2010

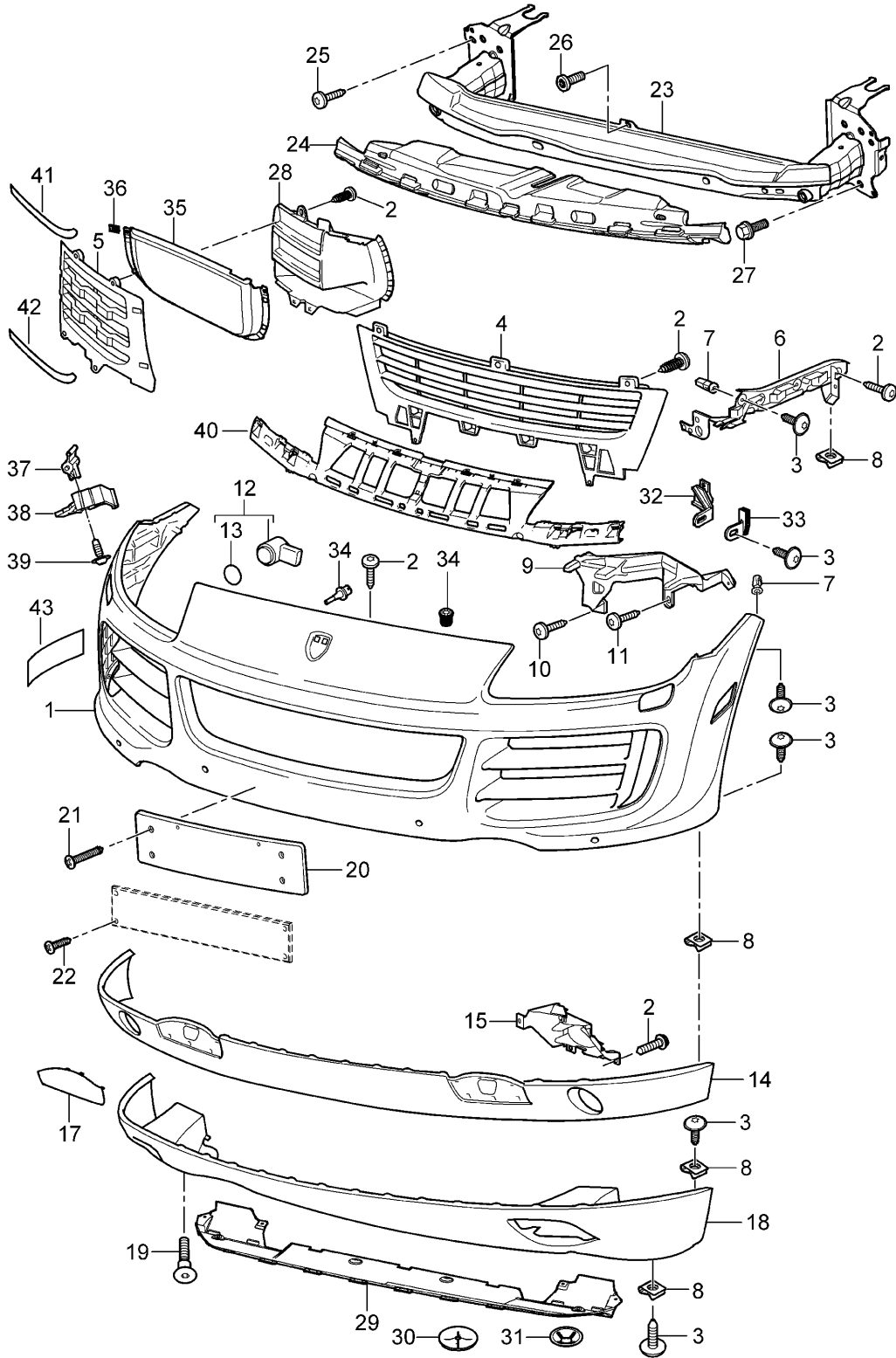


Model: 9PA108 Model life 2007>>2010

Pos	Part Number	Description	Remark	Qty	Model
		Trim			
1	955 504 961 04	Wheel housing			
(1)	955 504 962 04	Wheel housing liner	left	1	PR:D5V,D5X
		Wheel housing liner	right	1	PR:D5V,D5X
(1)	955 504 961 05	Wheel housing liner	front		
(1)	955 504 962 05	Wheel housing liner	left	1	PR:D5Z,D50
		Wheel housing liner	right	1	PR:D5Z,D50
		Wheel housing liner	front		
2	N 903 521 01	Hexagon collar nut B 5		X	
3	N 906 487 01	Oval hexagon socket head bolt ST4,8 X 16		X	
4	N 103 180 01	expanding nut 4,8 X 15,5		X	
6	955 504 971 04	Wheel housing liner	left	1	
(6)	955 504 972 04	Wheel housing liner	right	1	
			rear		
7	955 505 547 01	Spoiler	left	1	
(7)	955 505 548 01	Spoiler	right	1	
8	N 907 750 01	Hexagon socket head panel bolt st 4,8 x 16		X	
-	955 505 343 00	Bracket Spoiler	left	1	
	955 505 343 00 GRV	primed			
-	955 505 344 00	Bracket Spoiler	right	1	
	955 505 344 00 GRV	primed			
9	955 504 167 00	Cover	left	1	
(9)	955 504 168 00	Cover	right	1	
10	955 504 137 00	Clip		4	

Model: 9PA108

Model life 2007>>2010



Model: 9PA108 Model life 2007>>2010

Pos	Part Number	Description	Remark	Qty	Model
1	955 505 311 10	Trim Trim	front	1	PR:D5V,D5X, D50,E0A,7X0, 7X9,8X0
1	955 505 311 10 G2X 955 505 311 10	primed Trim		1	PR:D5V,E2D, 7X0,7X9,8X0
(1)	955 505 311 10 G2X 955 505 311 11	primed Trim		1	PR:D5V,D5X, D50,E0A,7X2, 7X8,8X0
(1)	955 505 311 11 G2X 955 505 311 11	primed Trim		1	PR:D5V,E2D, 7X2,7X8,8X0
(1)	955 505 311 11 G2X 955 505 311 12	primed Trim		1	PR:D5V,D5X, D50,7X0,7X9, 8X1,E0A
(1)	955 505 311 12 G2X 955 505 311 12	primed Trim		1	PR:D5V,E2D, 7X0,7X9,8X1
(1)	955 505 311 12 G2X 955 505 311 13	primed Trim		1	PR:D5V,D5X, D50,7X2,7X8, 8X1,E0A
(1)	955 505 311 13 G2X 955 505 311 13	primed Trim		1	PR:D5V,E2D, 7X2,7X8,8X1
(1)	955 505 311 13 G2X 955 505 311 14	primed Trim		1	PR:E0W,E1T, 7X2,7X8,D5V, 8X1
(1)	955 505 311 14 G2X 955 505 311 14	primed Trim		1	PR:D5Z,E8A, E0A,E81
(1)	955 505 311 14 G2X 955 505 311 14	primed Trim		1	PR:D5V,D5X, D50,E0A
(1)	955 505 311 14 G2X 955 505 311 14	primed Trim		1	PR:D5V,E2D
(1)	955 505 311 14 G2X 955 505 311 15	primed Trim		1	PR:D5V,E0W, E1T,7X0,7X9, 8X1
(1)	955 505 311 15 G2X 955 505 311 16	primed Trim		1	PR:D5V,E0W, E1T,7X2,7X8, 8X0
(1)	955 505 311 16 G2X 955 505 311 17	primed Trim		1	PR:D5V,E0W, E1T,7X0,7X9, 8X0
2	955 505 311 17 G2X N 908 082 01	primed Hexagon socket head panel bolt 6,0 X 18		X	
3	N 907 750 01	Hexagon socket head panel bolt ST 4,8 X 16		X	
4	955 505 683 10	Ventilation grille		1	PR:D5V,D5X, D50
(4)	955 505 683 10 9B9 955 505 683 11	Satin black Ventilation grille	center	1	PR:D5Z
(4)	955 505 683 11 9B9 955 505 683 11	Satin black Ventilation grille	center	1	PR:E0W

Model: 9PA108

Model life 2007>>2010

Pos	Part Number	Description	Remark	Qty	Model
	955 505 683 11 9B9	Satin black			
(5)	955 505 681 10	Ventilation grille	left	1	PR:D5V,D5X
	955 505 681 10 9B9	Satin black			
(5)	955 505 681 13	Ventilation grille	left	1	PR:D50
	955 505 681 13 9B9	Satin black			
(5)	955 505 681 12	Ventilation grille	left	1	PR:E0W
	955 505 681 12 9B9	Satin black			
(5)	955 505 681 12	Ventilation grille	left	1	PR:D5Z
	955 505 681 12 9B9	Satin black			
5	955 505 682 10	Ventilation grille	right	1	PR:D5V,D5X
	955 505 682 10 9B9	Satin black			
(5)	955 505 682 13	Ventilation grille	right	1	PR:D50
	955 505 682 13 9B9	Satin black			
(5)	955 505 682 12	Ventilation grille	right	1	PR:E0W
	955 505 682 12 9B9	Satin black			
(5)	955 505 682 12	Ventilation grille	right	1	PR:D5Z
	955 505 682 12 9B9	Satin black			
6	955 505 049 10	Guide rail	left	1	
(6)	955 505 050 10	Guide rail	right	1	
7	955 505 966 00	expanding nut		X	
8	N 900 942 02	Speed nut		X	
		ST 4,8 X 16,5 X 11			
9	955 505 889 00	Guide	left	1	
(9)	955 505 890 00	Guide	right	1	
10	N 907 750 01	Hexagon socket head panel bolt		X	
		ST 4,8 X 16			
11	N 910 343 01	self-tapping screw		X	
		6,0 X 20			
12	955 606 275 03	Sensor		6	PR:7X2,7X8
13	955 606 659 01	ring		6	PR:7X2,7X8
14	955 505 061 10	Front spoiler		1	
		Upper part			
	955 505 061 10 G2X	primed			
15	955 505 593 10	Bracket	left	1	
(15)	955 505 594 10	Bracket	right	1	
		Fog lights			
(17)	955 505 155 10	Cover cap	left	1	PR:2JB,2JL
	955 505 155 10 G2X	primed			
17	955 505 156 10	Cover cap	right	1	PR:2JB,2JL
	955 505 156 10 G2X	primed			
(17)	955 505 155 11	Cover cap	left	1	PR:2JC,2JX
(17)	955 505 156 11	Cover cap	right	1	PR:2JC,2JX
		stainless steel			
18	955 505 513 10	Front spoiler		1	PR:2D0,2D3
(18)	955 505 513 11	Front spoiler		1	PR:2D1,2D2,2D4
		Lower part			
	955 505 513 11 G2X	primed			
19	6N0 807 199	Hexagon socket head bolt		X	
		M6			
20	955 701 105 06	Carrier		1	PR:D5V,D5X,6W1
	955 701 105 06 G2X	primed			
(20)	955 701 105 11	Carrier		1	PR:D5V,D5X,6W2
	955 701 105 11 01C	Satin black			
(20)	955 701 105 08	Carrier		1	PR:D5Z,6W2,E0W
	955 701 105 08 01C	Satin black			
(20)	955 701 105 07	Carrier		1	PR:D5Z,6W1,E0W
	955 701 105 07 01C	Satin black			
(21)	N 905 624 01	oval head panel screw		2	PR:D5V,D5X,

Model: 9PA108 Model life 2007>>2010

Pos	Part Number	Description	Remark	Qty	Model
		Bracket 3,5 X 10,0-Q			6W2
(21)	N 911 235 01	Hexagon socket flat head bolt		X	PR:D5V,D5X, 6W1
22	N 106 568 02	oval head panel screw		X	
		Number plate ST 4,8 X 9,5			
(22)	N 038 549 4	Spreader rivet 8,0 x 12,0		2	
23	955 505 109 00	Bumper carrier		1	
24	955 505 550 10	Plastic foam strip		1	
24	955 505 550 11	Plastic foam strip		1	
25	7L6 807 199	Hexagon socket oval head plastic bolt 6 X 20		X	
26	N 103 469 02	Hexagon socket oval head bolt (combi) M6		X	
27	N 105 956 01	hexagon head bolt (combi) M10 X 35		X	
28		Air guide		1	
		see illustration:	105-045	1	
29	955 505 900 11	Front spoiler Upper part stainless steel		1	PR:2JC,2JX
30	N 911 381 01	Clamping washer Large		13	
31	N 901 162 02	Clamping washer Small		2	
32	955 505 055 00	Bracket	left	1	
(32)	955 505 056 00	Bracket	right	1	
33	955 505 997 00	Bracket	left a. right	2	
34	955 641 379 00	Temperature sensor		1	
35	955 505 823 00	Cover Air inlet	left	1	PR:E0W
(35)	955 505 824 00	Cover Air inlet	right	1	PR:E0W
36	955 505 887 00	Bungs		2	
37	955 505 850 00	Cover		2	PR:E0W
38	955 505 850 20	Securing plate		2	PR:E0W
39	N 908 082 01	Hexagon socket head panel bolt W/o headlight washer system		10	PR:E0W
40	955 505 915 10	Cover trim		1	PR:D5Z,E0A, D5V,E0W,E1T
(40)	955 505 915 20	Cover trim		1	PR:D5V,D5X, D50,E0A,E2D
41	955 505 853 00	Decorative film for Disc	left left upper	1	PR:E2D
	955 505 853 00 8C6	orange			
	955 505 853 00 M7W	Meteor Grey Metallic			
	955 505 853 00 A7W	Silver metallic			
(41)	955 505 854 00	Decorative film for Disc	right right upper	1	PR:E2D
	955 505 854 00 8C6	orange			
	955 505 854 00 M7W	Meteor Grey Metallic			
	955 505 854 00 A7W	Silver metallic			
42	955 505 855 00	Decorative film for Disc	left lower	1	PR:E2D
	955 505 855 00 8C6	orange			
	955 505 855 00 M7W	Meteor Grey Metallic			

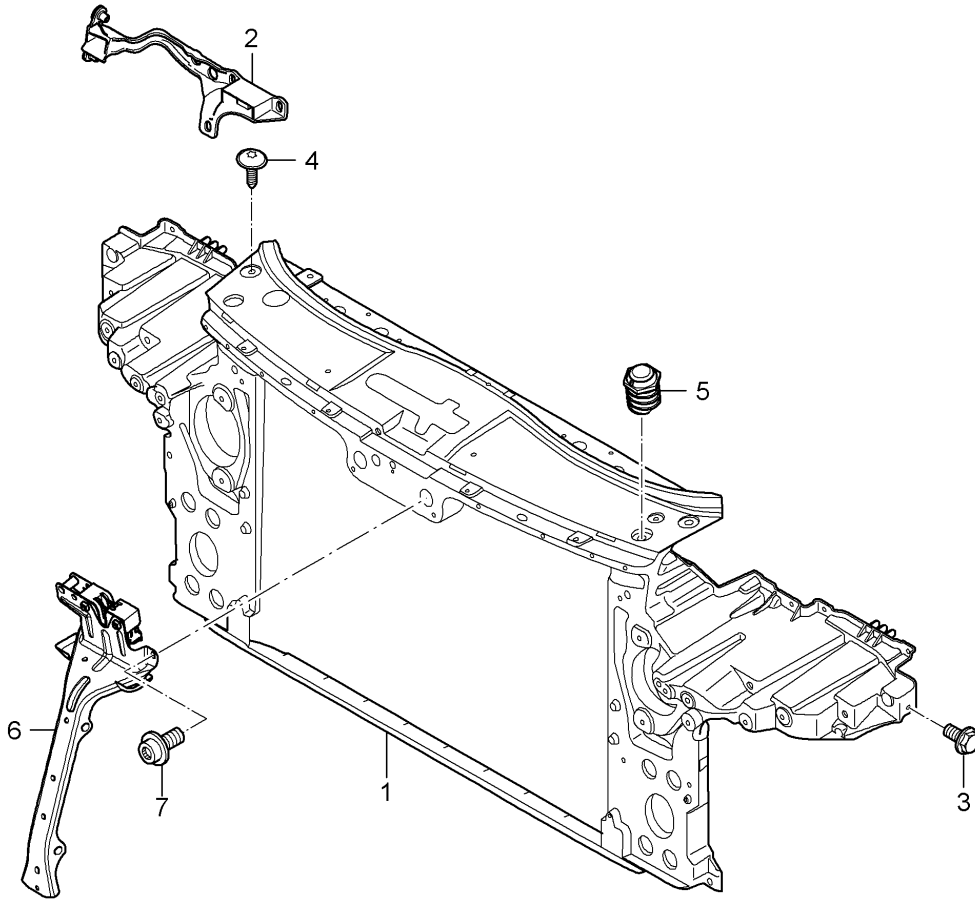
Model: 9PA108

Model life 2007>>2010

Pos	Part Number	Description	Remark	Qty	Model
(42)	955 505 855 00 A7W	Silver metallic			
	955 505 856 00	Decorative film for Disc	right lower	1	PR:E2D
	955 505 856 00 8C6	orange			
	955 505 856 00 M7W	Meteor Grey Metallic			
43	955 505 856 00 A7W	Silver metallic			
	955 505 857 00	Decorative film Front apron	left side	1	PR:E2D
	955 505 857 00 8C6	orange			
	955 505 857 00 M7W	Meteor Grey Metallic			
	955 505 857 00 A7W	Silver metallic			
(43)	955 505 858 00	Decorative film Front apron	right side	1	PR:E2D
	955 505 858 00 8C6	orange			
	955 505 858 00 M7W	Meteor Grey Metallic			
	955 505 858 00 A7W	Silver metallic			

Model: 9PA108

Model life 2007>>2010



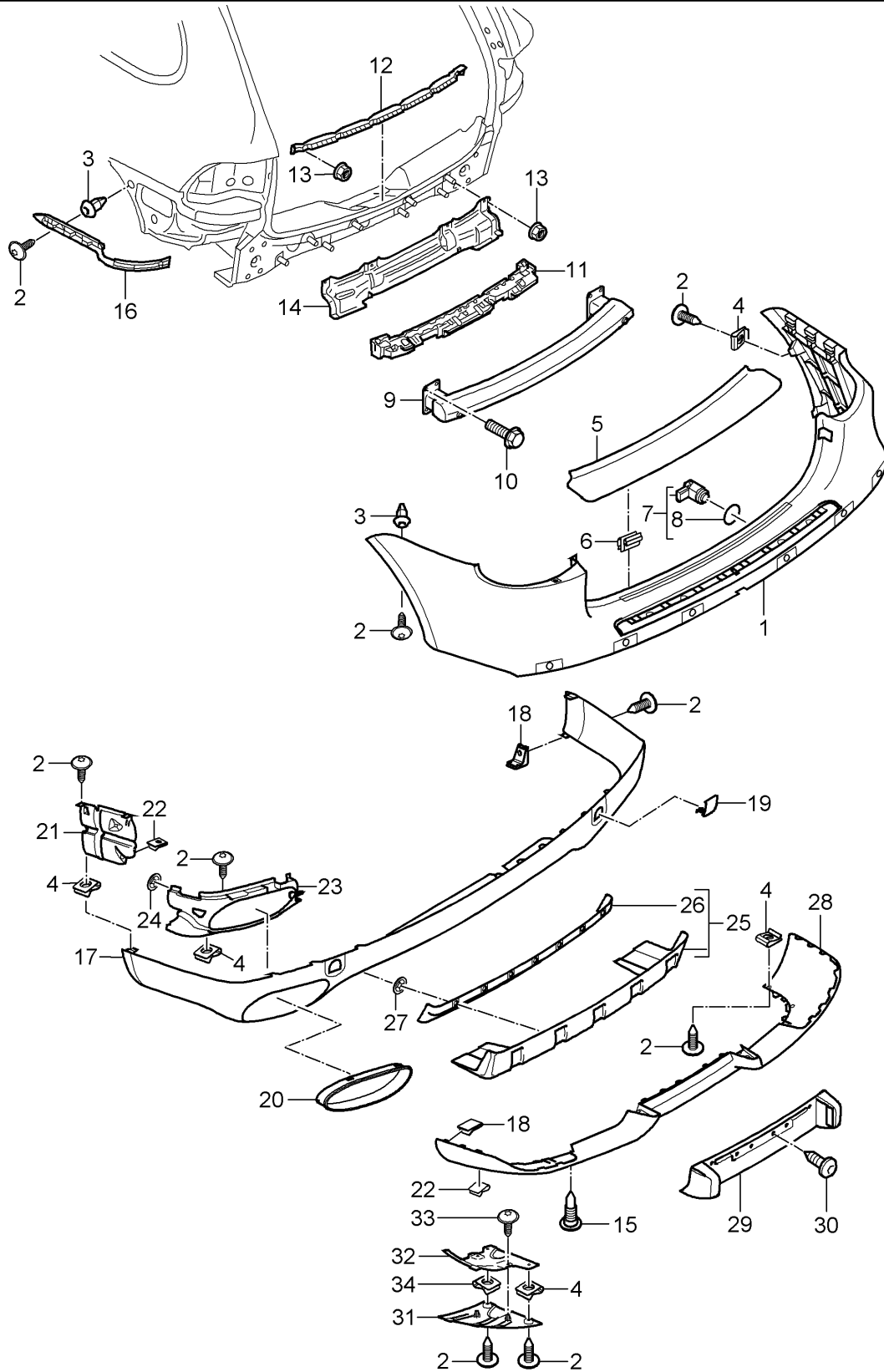
Model: 9PA108

Model life 2007>>2010

Pos	Part Number	Description	Remark	Qty	Model
1	955 505 594 02	Carrier Radiator		1	
(2)	955 505 733 00	Carrier	left	1	
2	955 505 734 00	Bracket	right	1	
3	N 908 463 01	Bracket		X	
		bolt, hex. hd. (combi.) self-locking			
4	N 910 145 01	Hexagon socket flat head bolt		X	
5	955 511 500 00	Rubber buffer		2	
6	955 505 799 01	Support		1	
7	N 105 918 01	Hexagon socket head collared bolt (combi) M6 X 12		3	

Model: 9PA108

Model life 2007>>2010



Model: 9PA108 Model life 2007>>2010

Pos	Part Number	Description	Remark	Qty	Model
1	955 505 411 10	Trim	rear	1	PR:1G1,1G8, 7X0,7X9,1G4
(1)	955 505 411 10 G2X	primed			
(1)	955 505 411 11	Trim		1	PR:1G1,1G8, 7X2,7X8,1G4
(1)	955 505 411 11 G2X	primed			
(1)	955 505 411 12	Trim		1	PR:1G3,7X0, 7X9
(1)	955 505 411 12 G2X	primed			
(1)	955 505 411 13	Trim		1	PR:1G3,7X8
(1)	955 505 411 13 G2X	primed			
(1)	955 505 411 13	Trim		1	PR:1G3,7X2
(1)	955 505 411 13 G2X	primed			
2	N 907 750 01	Hexagon socket head panel bolt ST 4,8 X 16		X	
3	WHT 001 829	insert nut		X	
4	N 015 437 4	Speed nut ST 4,8 X 16,5 X 11		X	
5	955 505 787 10	Trim		1	PR:1G1,1G8, 1G4
(5)	955 505 787 11	Trim		1	PR:1G3
6	955 505 807 00	Clip		X	
7	955 606 275 03	Sensor Parking aid		6	PR:7X2,7X8
8	955 606 659 01	ring		6	PR:7X2,7X8
9	955 505 313 10	Bumper carrier		1	PR:1D0,1G1, 1G6
-	955 505 859 00	Decorative film for rear spoiler	left	1	PR:E2D
-	955 505 859 00 8C6	orange			
-	955 505 859 00	Decorative film for rear spoiler	left	1	PR:E2D
-	955 505 859 00 M7W	Meteor Grey Metallic			
-	955 505 859 00	Decorative film for rear spoiler	left	1	PR:E2D
-	955 505 859 00 A7W	Silver metallic			
-	955 505 860 50	Decorative film for rear spoiler	right	1	PR:E2D
-	955 505 860 50 8C6	orange			
-	955 505 860 50	Decorative film for rear spoiler	right	1	PR:E2D
-	955 505 860 50 M7W	Meteor Grey Metallic			
-	955 505 860 50	Decorative film for rear spoiler	right	1	PR:E2D
-	955 505 860 50 A7W	Silver metallic			
9	955 505 313 10	Bumper carrier		1	PR:1D0,1G1, 1G6
(9)	955 505 313 11	Bumper carrier		1	PR:1D0,1D7, 1D8,1G1,1G8, 6P1
(9)	955 505 313 12	Bumper carrier Spare wheel	outer	1	PR:1D0,1D7, 1D8,1G3
10	N 911 038 02	Hex collared bolt M12 X 1,5 X 50		8	
11	955 505 252 03	Foam part		1	PR:1D0,1D7, 1D8,1G1,1G8

Model: 9PA108

Model life 2007>>2010

Pos	Part Number	Description	Remark	Qty	Model
(11)	955 505 252 04	Foam part		1	PR:1D0,1D7, 1D8,1G3
12	955 505 863 02	Securing strip	center	1	
13	N 902 158 04	Hexagon nut M6		X	
14	955 505 587 03	Cover		1	
15	6N0 807 199	Hexagon socket head bolt M6		X	
16	955 505 393 02	retaining strip	left	1	
(16)	955 505 394 02	retaining strip	right	1	
17	955 505 521 07	Spoiler		1	PR:0P8,D5X, D5V,D5Z,0P3
	955 505 521 07 G2X	primed			
(17)	955 505 521 07	Spoiler		1	PR:0P0,D5Z
	955 505 521 07 G2X	primed			
(17)	955 505 521 07	Spoiler		1	PR:0P3,D50
	955 505 521 07 G2X	primed			
(17)	955 505 521 12	Spoiler		1	PR:0P0,D50, D5V,D5X
	955 505 521 12 G2X	Upper part primed			
18	955 505 535 00	Retaining clip		2	
(19)	955 505 449 10	Cover cap	left	1	
	955 505 449 10 G2X	primed			
19	955 505 450 10	Cover cap	right	1	
	955 505 450 10 G2X	Tow hitch primed			
20	955 505 837 01	Trim	left	1	PR:D5V,D5X, 0P0,D50
	955 505 837 01 U90	Titanium metallic			
(20)	955 505 838 01	Trim	right	1	PR:D5V,D5X, 0P0,D50
	955 505 838 01 U90	Titanium metallic			
(20)	955 505 837 00	Trim	left	1	PR:D5Z,0P0
	955 505 837 00 U90	Titanium metallic			
(20)	955 505 838 00	Trim	right	1	PR:D5Z,0P0
	955 505 838 00 U90	Titanium metallic			
(20)	955 505 837 00	Trim	left	1	PR:0P3,0P8
	955 505 837 00 U90	Titanium metallic			
(20)	955 505 838 00	Trim	right	1	PR:0P3,0P8
	955 505 838 00 U90	exhaust system Titanium metallic			
(21)	955 505 515 10	Heat insulation	left	1	
21	955 505 516 10	Heat insulation	right	1	
22	955 505 180 00	Clip		X	
23	955 505 961 01	Frame	left	1	PR:D5V,D5X, 0P0,D50
(23)	955 505 962 01	Frame	right	1	PR:D5V,D5X, 0P0,D50
(23)	955 505 961 00	Frame	left	1	PR:D5Z,0P0
(23)	955 505 962 00	Frame	right	1	PR:D5Z,0P0
(23)	955 505 961 00	Frame	left	1	PR:0P3,0P8
(23)	955 505 962 00	Frame	right	1	PR:0P3,0P8
	955 505 962 00	Heat protection			
24	N 106 120 02	Washer 5,3x15x1		1	PR:B0R,6GA
25	955 505 834 00	Trim		1	PR:1G1,1G8, 2JL,2JX
26	955 505 255 00	Distance piece Trim		1	PR:1G1,1G8, 2JL,2JX
27	N 901 162 02	Clamping washer 4,0 X 11,8		X	
28	955 505 875 10	Spoiler		1	PR:2D0,2D3

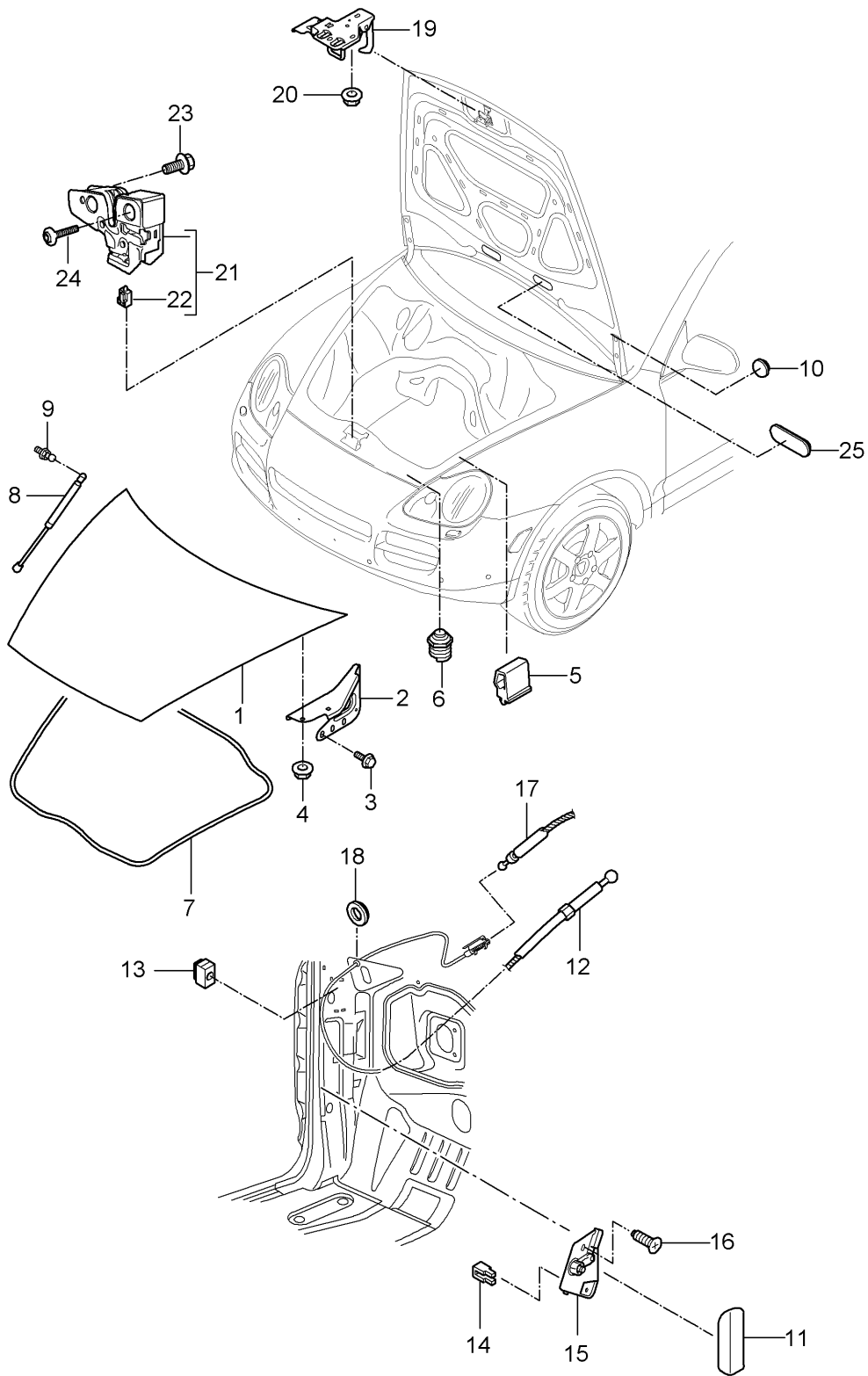
Model: 9PA108

Model life 2007>>2010

Pos	Part Number	Description	Remark	Qty	Model
(28)	955 505 875 11	Spoiler		1	PR:2D1,2D2, 2D4
	955 505 875 11 G2X	Lower part primed			
29	955 505 847 00	Licence plate holder		1	PR:1G3,6P1
30	N 910 907 01	Oval socket head bolt with hex drive 5,0 X 20		X	
31	955 505 085 00	Cover	left	1	
(31)	955 505 086 00	Cover	right	1	
32	955 505 747 00	Heat insulation	left	1	
(32)	955 505 748 00	Heat insulation Cover	right	1	
33	N 908 298 02	Hexagon socket head panel bolt 5,0 X 14,5		X	
34	N 900 942 01	Speed nut		X	

Model: 9PA108

Model life 2007>>2010

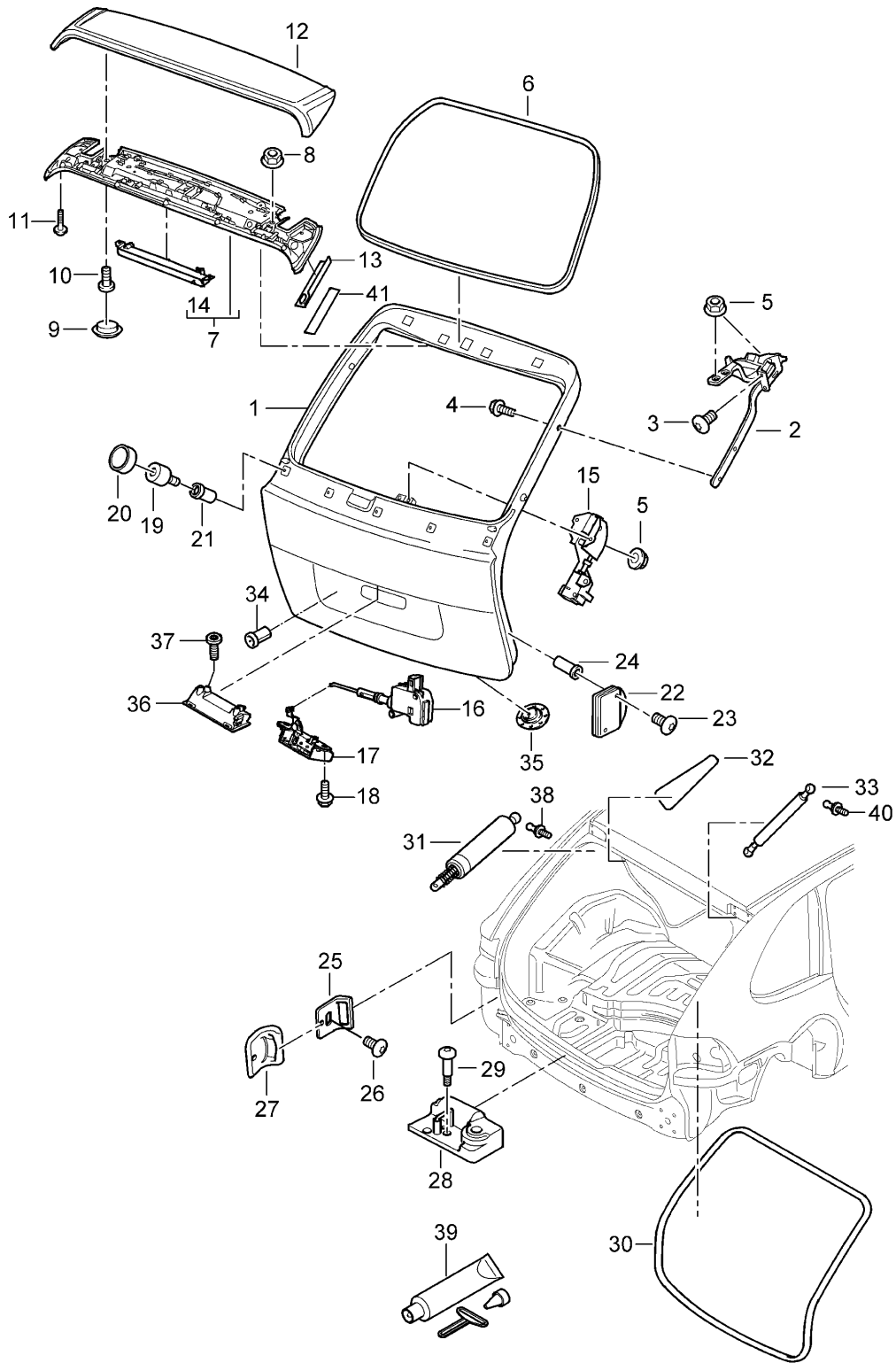


Model: 9PA108 Model life 2007>>2010

Pos	Part Number	Description	Remark	Qty	Model
1	955 511 011 00	Cover Cover	front	1	PR:D5V,D5X, D50
(1)	955 511 011 00 GRV	primed			
	955 511 011 02	Cover		1	PR:D5Z
	955 511 011 02 GRV	primed			
2	955 511 301 00	Hinge	left	1	
(2)	955 511 302 00	Hinge	right	1	
3	N 908 079 02	hexagon head bolt (combi) M8 X 20		4	
4	N 905 115 05	Hexagon collar nut self-locking M 8		4	
5	955 511 493 00	Guide piece		2	
6	955 511 500 00	Rubber buffer		2	
7	955 511 707 01	Seal		1	
8	955 511 359 00	Damper		1	
9	955 511 439 00	Ball stud M8		1	
10	N 909 087 01	Bungs A12,5 X 3		2	
11	955 511 533 00	Actuating lever	lhd	1	PR:L0L
	955 511 533 00 01C	Satin black			
	955 511 533 00 6C6	Sand beige			
	955 511 533 00 6H8	Palm green			
	955 511 533 00 7A8	steel grey			
(11)	955 511 533 01	Actuating lever	rhd	1	PR:L0R
	955 511 533 01 01C	Satin black			
	955 511 533 01 6C6	Sand beige			
	955 511 533 01 6H8	Palm green			
	955 511 533 01 7A8	steel grey			
12	955 511 535 01	Bowden cable	rear	1	
13	955 511 645 00	Clip Bowden cable		2	
14	N 909 946 01	expanding nut 4,8 X 10 Bracket		2	
15	955 511 633 03	Bracket	lhd	1	PR:L0L
(15)	955 511 633 04	Bracket	rhd	1	PR:L0R
16	N 905 488 03	oval head panel screw ST 4,8 X 19		2	
17	955 511 531 00	Bowden cable	lhd	1	PR:L0L
17	955 511 530 00	Bowden cable Emergency operation	lhd	1	PR:L0L
(17)	955 511 531 01	Bowden cable	rhd	1	PR:L0R
(17)	955 511 530 10	Bowden cable Emergency operation	rhd	1	PR:L0R
18	955 511 196 00	Bungs	front	3	
19	955 511 480 01	Catch hook		1	
20	N 908 877 02	Hexagon flange nut, self-locking M6		3	
21	955 511 509 02	Lid lock		1	
22	955 624 236 01	Micro switch		1	
23	N 910 664 01	Hexagon socket head bolt (combi) M 6 X 40		2	
24	N 100 829 08	Hex collared bolt M 6 X 16		1	
25	955 511 440 00	Cover		2	

Model: 9PA108

Model life 2007>>2010



Model: 9PA108 Model life 2007>>2010

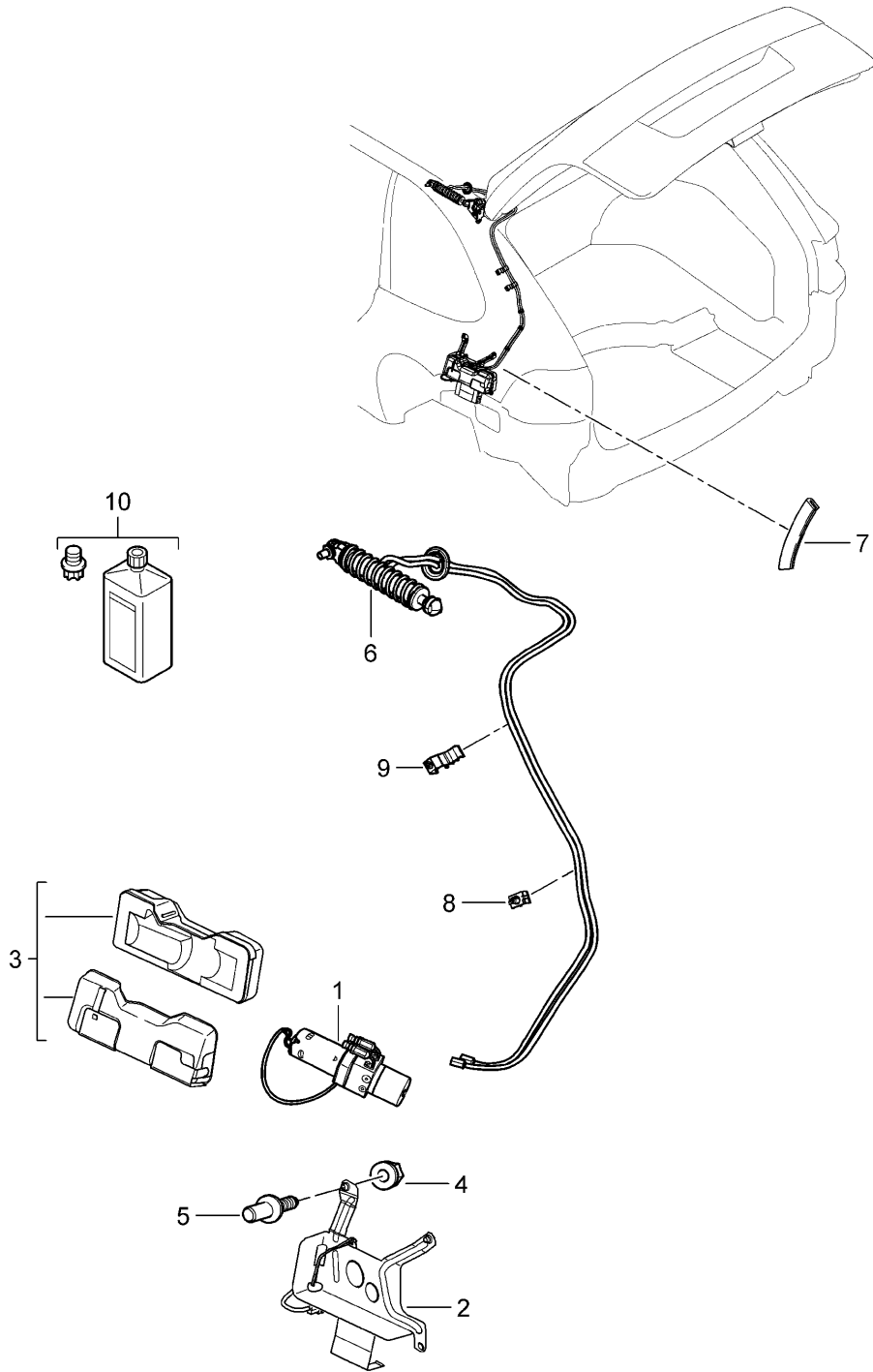
Pos	Part Number	Description	Remark	Qty	Model
1	955 512 011 10	Rear lid		1	PR:6P1
(1)	955 512 011 10 GRV	primed			
	955 512 011 11	Rear lid		1	PR:6P2
	955 512 011 11 GRV	primed			
(2)	955 512 301 01	Hinge	left	1	PR:4E0
(2)	955 512 301 02	Hinge	left	1	PR:4E7
2	955 512 302 00	Hinge	right	1	
3	N 908 962 01	fillister head bolt with multi-point socket head M 8 X 20		8	
4	N 909 891 02	Socket head bolt with inner multipoint head M 8 X 16		4	
5	N 902 158 04	Hexagon nut M 6		X	
6	955 512 521 01	Seal		1	
7	955 512 933 03	Rear window		1	
8	N 911 488 01	Rear spoiler		1	
9	N 911 488 01	Combined nut		X	
9	955 512 975 00	Cover cap		3	
10	955 512 975 00 01C	Satin black			
10	WHT 001 984	flat round head bolt M 6 X 16		X	
11	N 909 868 02	Hexagon socket head panel bolt ST 4,2 X 13		2	
12	955 512 939 05	Rear spoiler		1	PR:2D0, 2D3, 2D4
	955 512 939 05 G2X	primed			
(12)	955 512 939 06	Rear spoiler		1	PR:2D1, 2D2
	955 512 939 06 G2X	primed			
(12)	955 512 939 06	Rear spoiler		1	
	955 512 939 06 G2X	primed			
(13)	955 512 965 03	Seal	left	1	
13	955 512 966 03	Seal	right	1	
14		Rear spoiler			
14		Brake light		1	
15	955 512 506 03	lock	see illustration: 905-005	1	
16	955 512 761 00	Rear window			
16		throttle control element		1	
17	955 512 505 02	lock			
17		Rear lid			
17		Lock upper part		1	
18	N 906 405 02	Rear lid			
18		Hexagon socket flat head bolt M 8 X 22		2	
19	955 512 471 01	Stop buffer		2	
20		Rear window			
20		Cover cap		2	
20		Buffer		2	
21	N 908 051 02	see illustration: rivetted cap nut M6	807-035	2	
22	955 512 679 00	Guide wedge		2	
23	N 910 505 01	Screw M 6 X 28		4	
24	N 909 182 01	rivetted cap nut M 6		4	
25	955 512 683 00	Guide		2	
26	N 906 381 03	round hd. screw M 6 X 12		2	

Model: 9PA108 Model life 2007>>2010

Pos	Part Number	Description	Remark	Qty	Model
27	955 512 681 01	Stop buffer		2	
28	955 512 511 01	Lock lower part		1	PR:GY1
29	N 908 047 02	countersunk multi-point socket head bolt M 8 X 22		2	PR:GY1
30	955 512 705 00	Seal Rear lid		1	
31	955 512 550 04	Gas filled strut	right	1	
(31)	955 512 550 05	Gas filled strut Rear lid	left	1	
32	955 512 583 02	Cover panel	left	1	
(32)	955 512 584 02	Cover panel Damper	right	1	
33	955 512 528 00	Gas filled strut Rear window		2	
34	N 907 667 02	riveted cap nut M 6 Number plate		X	
35	955 512 188 00	Water drain valve		2	
36	955 613 271 01	Tip switch Rear lid		1	
37	N 104 840 02	Oval hexagon socket head bolt M5 X 7,0		2	
38	WHT 001 333	Ball stud M 8/13 X 16		X	
39	000 043 204 38	sealant		X	
40	N 909 662 02	Ball stud M 8/10 X 13		X	
41	955 512 472 00	1 set protective film Rear spoiler	left right	1	PR:2D0,2D3
(41)	955 512 472 01	1 set protective film Protective film Rear spoiler	left right	1 1	PR:2D1,2D2

Model: 9PA108

Model life 2007>>2010



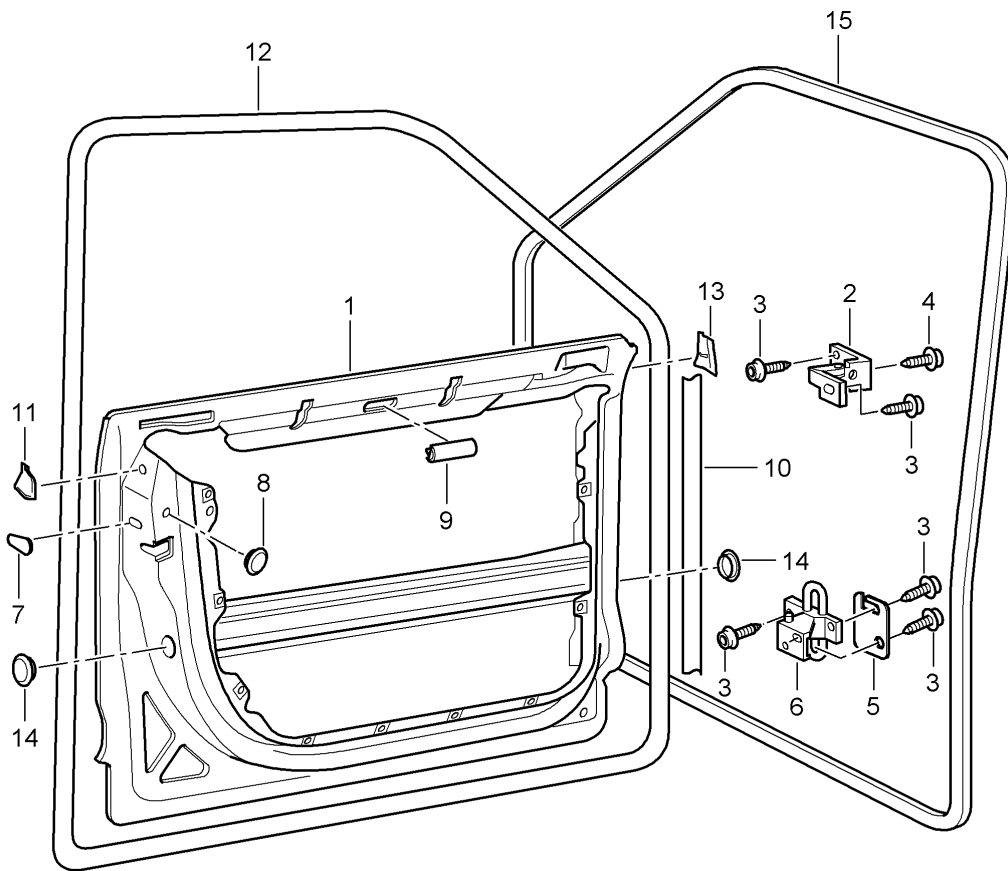
Model: 9PA108

Model life 2007>>2010

Pos	Part Number	Description	Remark	Qty	Model
		Rear lid Powerlift			PR:4E7
1	955 512 449 00	Pump		1	
2	955 512 389 00	Retainer for pump		1	
3	955 512 830 00	Sound absorber		1	
-	000 043 207 22	Velcro 30 x 1050 mm		1	
4	N 904 465 04	Hexagon nut M 6		3	
5	N 908 971 01	Blind rivet stud M 6 X 6,5		3	
6	955 512 383 00	cylinder		1	
-	WHT 001 670	Rear lid Ball stud M 10		X	
7	955 512 869 00	beading		1	
8	N 106 948 01	Double clip		X	
9	955 512 200 00	Bracket		X	
10	000 043 207 15	Refilling bottle comprising: Oil and sealing plug		1	

Model: 9PA108

Model life 2007>>2010



Model: 9PA108 Model life 2007>>2010

Pos	Part Number	Description	Remark	Qty	Model
		Door shell	front		
		Gaskets			
1	955 531 011 06	Door shell	left	1	
	955 531 011 06 GRV	primed			
(1)	955 531 012 07	Door shell	right	1	
	955 531 012 07 GRV	primed			
(2)	955 531 401 01	Hinge	left upper	1	
		Discontinued part			
(2)	955 531 401 02	Hinge	left upper	1	
2	955 531 402 01	Hinge	right upper	1	
		Discontinued part			
2	955 531 402 02	Hinge	right upper	1	
3	N 908 232 05	Socket head bolt with inner multipoint head M 8 X 28		12	
		Discontinued part			
3	N 908 232 03	Socket head bolt with inner multipoint head M 8 X 28		12	
4	N 907 870 01	Socket head bolt with inner multipoint head (Kombi) M 8 X 22		2	
5	955 531 483 00	Washer	left a. right	X	
		Hinge	lower		
		Repair work			
		See technical manual			
(6)	955 531 411 01	Hinge	left lower	1	
6	955 531 412 01	Hinge	right lower	1	
7	955 531 111 00	Bungs 16/12		2	
8	955 531 112 00	Bungs 16		2	
9	955 531 311 00	Stop buffer		2	
(10)	955 537 717 01	Door seal	left front	1	
10	955 537 718 01	Door seal	right front	1	
(11)	955 531 915 01	Cover	left	1	
		Discontinued part			
	955 531 915 01 B41	Satin black			
(11)	955 531 915 02	Cover	left	1	
	955 531 915 02 B41	Satin black			
11	955 531 916 01	Cover	right	1	
		Discontinued part			
	955 531 916 01 B41	Satin black			
11	955 531 916 02	Cover	right	1	
	955 531 916 02 B41	Satin black			
12	955 537 911 02	Door seal	outer	2	
(13)	955 531 865 00	Cover	left	1	
		Discontinued part			
	955 531 865 00 01C	Black			
(13)	955 531 865 02	Cover	left	1	
	955 531 865 02 01C	Black			
13	955 531 866 00	Cover	right	1	
		Discontinued part			
	955 531 866 00 01C	Black			
13	955 531 866 02	Cover	right	1	

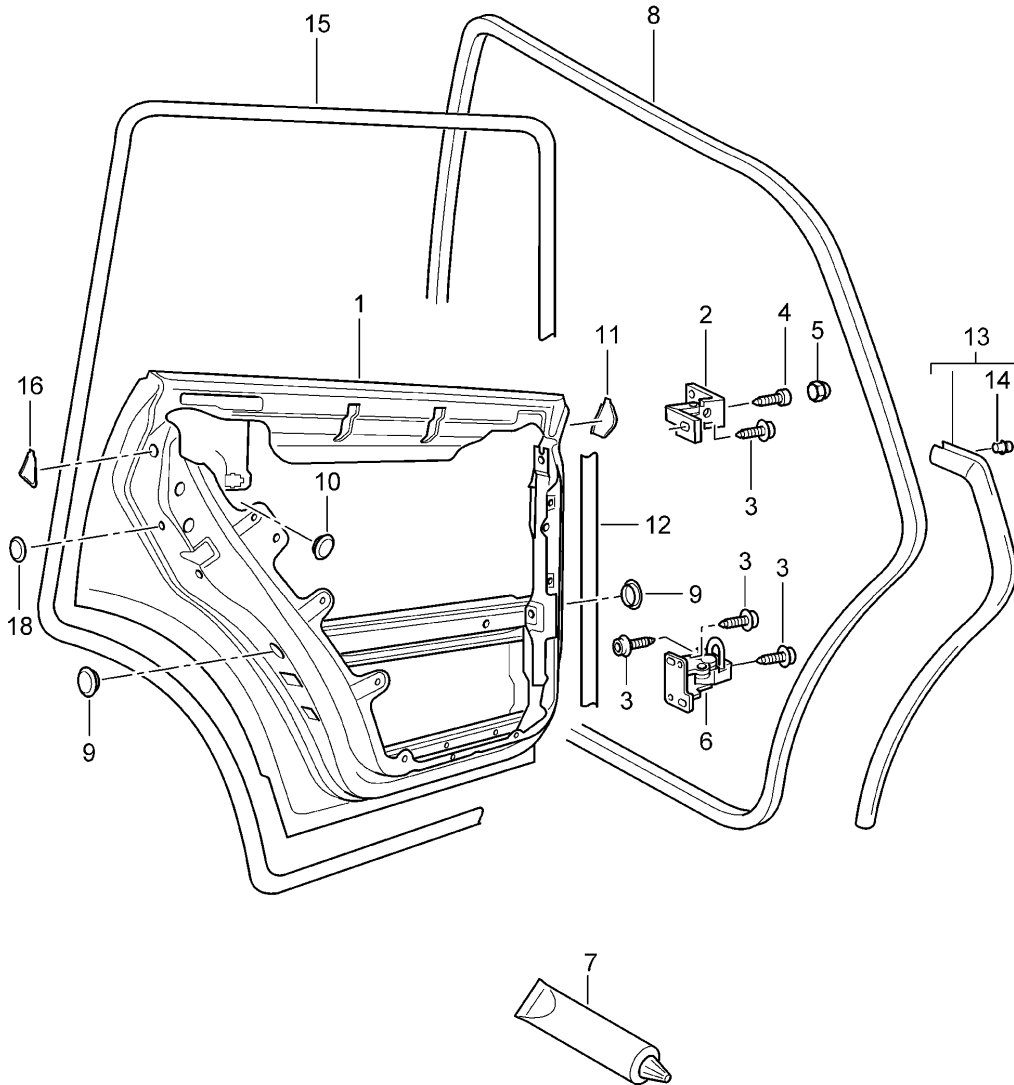
Model: 9PA108

Model life 2007>>2010

Pos	Part Number	Description	Remark	Qty	Model
14	955 531 866 02 01C 955 531 935 00	Black Cover cap 30		4	
15	955 537 365 02	Door seal	inner	2	
16	N 904 030 03	Cover cap 13 X 14		2	
17	000 043 206 35	Grease Door catch 10 GR.		X	
17	000 043 300 13	Discontinued part Grease Door catch 80 GR.		1	

Model: 9PA108

Model life 2007>>2010

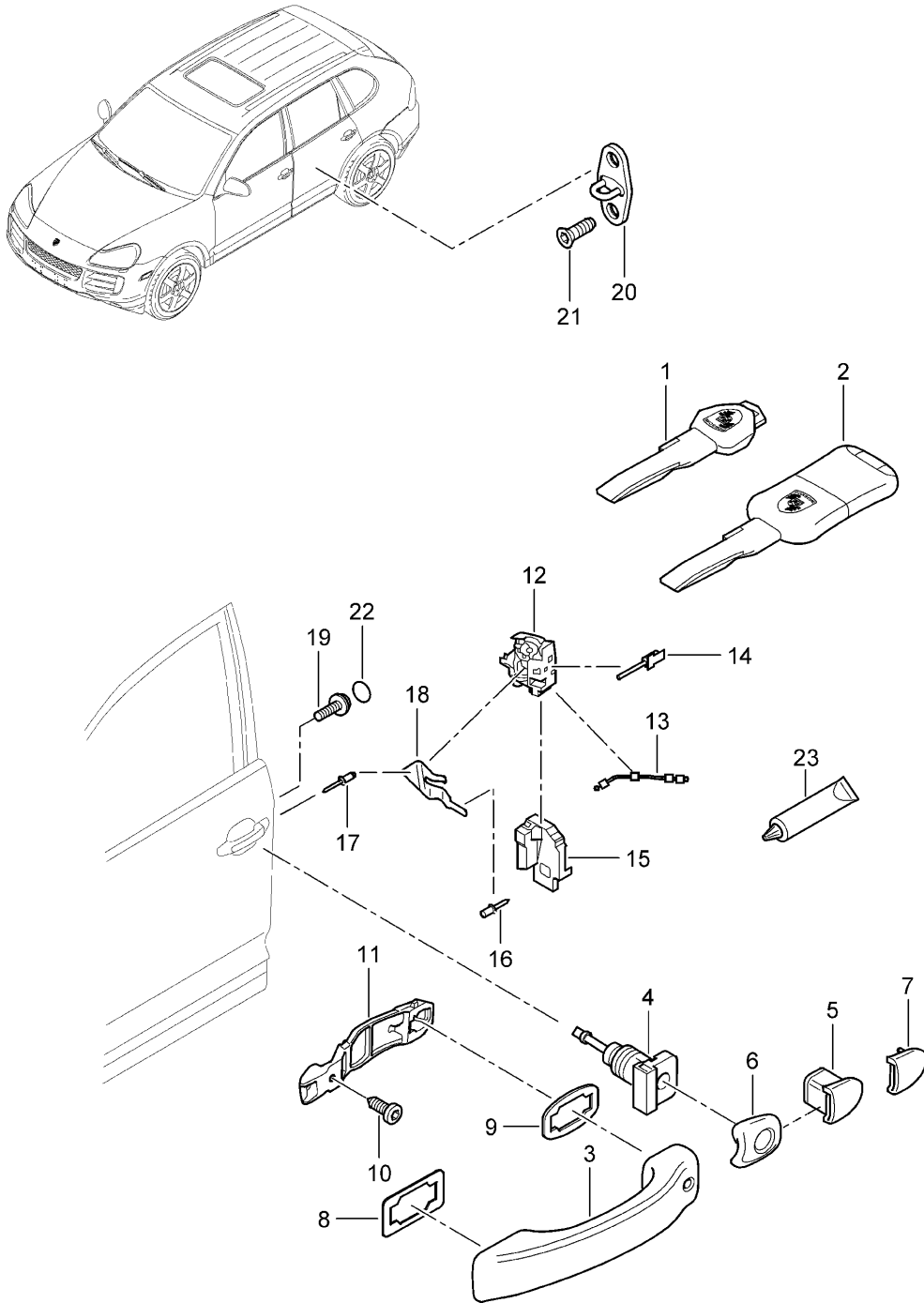


Model: 9PA108 Model life 2007>>2010

Pos	Part Number	Description	Remark	Qty	Model
1	955 533 011 05	Door shell Gaskets	rear		
	955 533 011 05 GRV	Door shell Discontinued part	left	1	
1	955 533 011 06	primed			
	955 533 011 06 GRV	Door shell	left	1	
(1)	955 533 012 05	primed			
	955 533 012 05 GRV	Door shell	right	1	
(1)	955 533 012 06	Discontinued part			
	955 533 012 06 GRV	primed	right	1	
(2)	955 533 401 01	Door shell			
		Hinge	left	1	
2	955 533 402 01	Hinge	upper right upper	1	
3	N 908 232 05	Socket head bolt with inner multipoint head M 8 X 28		10	
4	N 907 870 01	Socket head bolt with inner multipoint head (Kombi) M 8 X 22		4	
5	N 904 030 03	Cover cap 13 X 14		2	
(6)	955 533 411 01	Hinge	left	1	
6	955 533 412 01	Hinge	lower right lower	1	
7	000 043 206 35	Grease Door catch 10 GR.		X	
7	000 043 300 13	Discontinued part Grease Door catch 80 GR.		1	
8	955 539 367 02	Door seal	outer	2	
9	955 531 935 00	Cover cap 30		4	
10	955 531 112 00	Bungs 16		2	
(11)	955 531 349 00	cover for door	left	1	
11	955 531 350 00	cover for door	right	1	
(12)	955 533 717 00	Door seal	left	1	
12	955 533 718 00	Door seal	front right front	1	
(13)	955 533 761 01	Door seal	left outer rear	1	
13	955 533 762 01	Door seal	right outer rear	1	
14	955 533 723 00	Clip		2	
15	955 533 911 02	Door seal	outer	2	
(16)	955 533 915 00	Cover	left	1	
	955 533 915 00 B41	Satin black			
16	955 533 916 00	Cover	right	1	
	955 533 916 00 B41	Satin black			
18	955 531 111 10	Cover cap 16		2	

Model: 9PA108

Model life 2007>>2010



Model: 9PA108 Model life 2007>>2010

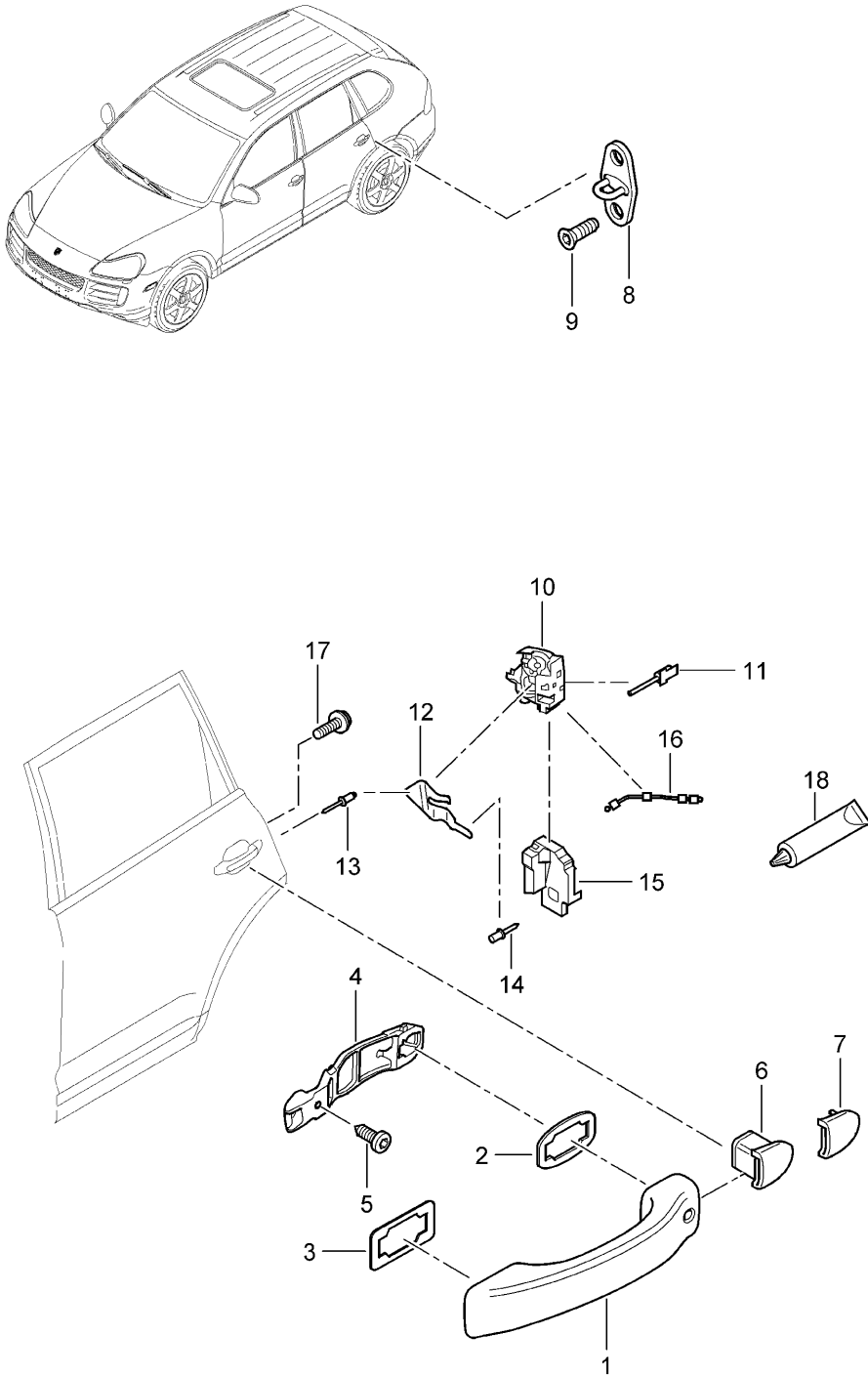
Pos	Part Number	Description	Remark	Qty	Model
1	955 538 916 00	Door handle Door lock emergency key State lock number	front	1	
2		Handheld transmitter see illustration:	901-004	1	
3	955 531 030 00	Door handle		X	PR:4F2,4F6, -QJ4
	955 531 030 00 G2X	primed			
(3)	955 531 030 01	Satin aluminium Door handle		X	PR:4F2,4F6, QJ4
	955 531 030 01 G2X	Black/primed			
(3)	955 531 032 00	Door handle		X	PR:4K0,4K3, -QJ4
	955 531 032 00 G2X	primed			
(3)	955 531 032 01	Satin aluminium Door handle		X	PR:4K0,4K3, QJ4
	955 531 032 01 G2X	Black/primed			
4	955 531 034 01	Lock cylinders Driver's door Vehicle Ident. No. Indicate	lhd	1	PR:L0L
(4)	955 531 035 01	Lock cylinders Driver's door Vehicle Ident. No. Indicate	rhd	1	PR:L0R
(5)	955 531 036 01	housing (passenger side)		1	
6	955 531 037 00	Cover cap		1	
	955 531 037 00 4W9	Satin aluminium			
	955 531 037 00 VV1	Black housing Driver's door			
7	955 531 038 00	Cover cap		1	
	955 531 038 00 4W9	Satin aluminium			
	955 531 038 00 VV1	Black housing Passenger's door			
8	955 531 039 00	Underlay Door handle	front	1	
9	955 531 040 00	Underlay Door handle	rear	1	
10	N 908 976 02	fillister hd. bolt for Mounting bar		1	
11	955 531 041 02	Mounting bar	left rhd	1	PR:L0R
(11)	955 531 042 02	Mounting bar Door handle	right lhd	1	PR:L0L
(11)	955 531 043 02	Mounting bar	left lhd	1	PR:L0L
(11)	955 531 044 02	Mounting bar Door handle	right rhd	1	PR:L0R
12	955 531 015 00	Door lock	left lhd	1	PR:4K3,L0L
(12)	955 531 016 00	Door lock	right lhd	1	PR:4K3,L0L
(12)	955 531 015 01	Door lock	left lhd	1	PR:4K0,L0L
(12)	955 531 016 01	Door lock	right lhd	1	PR:4K0,L0L
(12)	955 531 015 02	Door lock	left lhd	1	PR:4F2,L0L
(12)	955 531 016 02	Door lock	right lhd	1	PR:4F2,L0L
(12)	955 531 015 03	Door lock		1	PR:4F6
(12)	955 531 016 03	Door lock	right lhd	1	PR:4F6,L0L
(12)	955 531 015 04	Door lock	left rhd	1	PR:4K3,L0R
(12)	955 531 016 04	Door lock	right rhd	1	PR:4K3,L0R

Model: 9PA108 Model life 2007>>2010

Pos	Part Number	Description	Remark	Qty	Model
(12)	955 531 015 05	Door lock	left rhd	1	PR:4F2,L0R
(12)	955 531 016 05	Door lock	right rhd	1	PR:4F2,L0R
13	955 531 024 00	Bowden cable Inner actuator To	inner	1	
14	955 531 069 00	Door lock Cable Door handle To	left outer	1	
(14)	955 531 070 00	Door lock Cable Door handle To	right outer	1	
15	955 531 089 01	door lock cover	left	1	
(15)	955 531 090 01	door lock cover	right	1	
16	N 908 258 01	Pop rivet A4 X 13		1	
17	N 907 657 01	Pop rivet A4,8 X 15		1	
18	955 533 867 00	Retaining bracket	left	1	
(18)	955 533 868 00	Retaining bracket for	right	1	
19	N 908 005 01	Door lock Oval head screw w/ internal serration (Combi), self-lockin for		2	
20	3B0 837 033 P	Door lock Lock striker		1	
21	N 908 047 02	countersunk multi-point socket head bolt M8 X 22		2	
22	955 531 935 00	Cover cap		2	
23	000 043 206 17	universal low temperat. grease 10 GRAMM 1 tube Door handle Lock cylinders		X	

Model: 9PA108

Model life 2007>>2010



Model: 9PA108 Model life 2007>>2010

Pos	Part Number	Description	Remark	Qty	Model
1	955 532 010 00 955 532 010 00 G2X	Door handle Door lock Door handle primed Satin aluminium	rear	X	PR: 4F2, 4F6
(1)	955 532 010 01	Door handle		X	PR: 4F2, 4F6, QJ4
(1)	955 532 010 01 G2X 955 531 032 00 955 531 032 00 G2X	Black/primed Door handle primed Satin aluminium		X	PR: 4K0, 4K3
(1)	955 531 032 01	Door handle		X	PR: 4K0, 4K3, QJ4
2	955 531 040 00	Underlay	rear	1	
3	955 531 039 00	Underlay	front	1	
4	955 532 885 02	Mounting bar	left	1	
(4)	955 532 886 02	Mounting bar	right	1	
5	N 908 976 02	Door handle fillister hd. bolt for Mounting bar		1	
(6)	955 531 036 01	housing		1	
7	955 531 038 00 955 531 038 00 4W9 955 531 038 00 VV1	Cover cap Satin aluminium Black		1	
8	3B0 837 033 P	Lock striker		1	
9	N 908 047 02	countersunk multi-point socket head bolt M8 X 22		2	
10	955 532 015 00	Door lock	left	1	PR: 4K3
(10)	955 532 016 00	Door lock	right	1	PR: 4K3
(10)	955 532 015 01	Door lock	left	1	PR: 4K0
(10)	955 532 016 01	Door lock	right	1	PR: 4K0
(10)	955 532 015 02	Door lock	left	1	PR: 4F2
(10)	955 532 016 02	Door lock	right	1	PR: 4F2
(10)	955 532 015 03	Door lock	left	1	PR: 4F6
(10)	955 532 016 03	Door lock	right	1	PR: 4F6
11	955 533 059 00	Cable	left	1	
(11)	955 533 060 00	Door handle To Door lock Cable Door handle To Door lock	outer right outer	1	
12	955 533 867 00	Retaining bracket	left	1	
(12)	955 533 868 00	Retaining bracket	right	1	
13	N 907 657 01	Pop rivet A4 X 15		1	
14	N 908 258 01	Pop rivet A4 X 13		1	
15	955 533 089 02	cover - lock	left	1	
(15)	955 533 090 02	cover - lock	right	1	
16	955 533 085 00	Door lock Bowden cable Inner actuator To Door lock	inner	1	
17	N 908 005 01	Oval head screw w/ internal serration (Combi), self-lockin		2	
18	000 043 206 17	Door lock universal low temperat. grease		X	

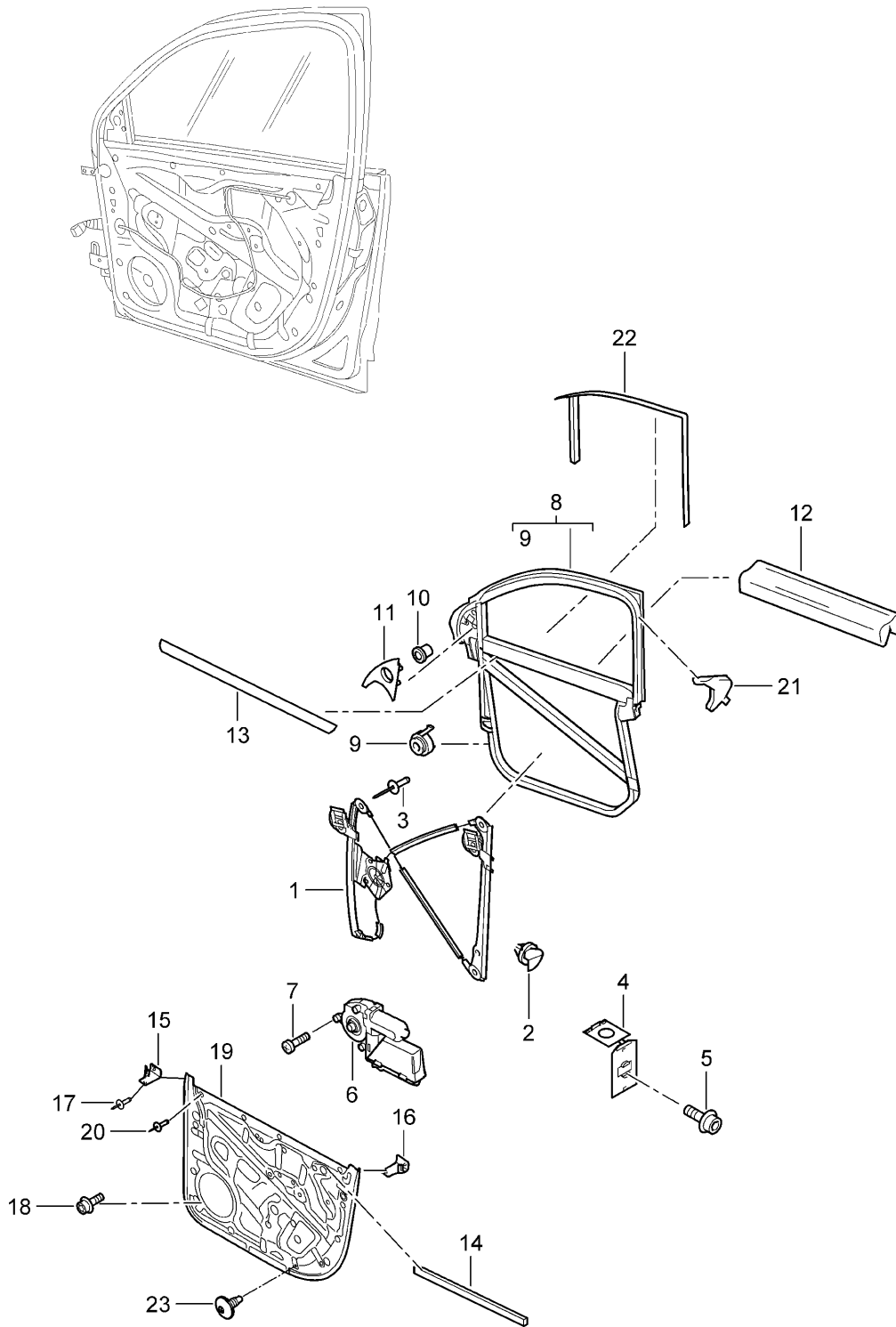
Model: 9PA108

Model life 2007>>2010

Pos	Part Number	Description	Remark	Qty	Model
		10 GRAMM 1 tube Door handle Lock cylinders			

Model: 9PA108

Model life 2007>>2010



Model: 9PA108

Model life 2007>>2010

Pos	Part Number	Description	Remark	Qty	Model
1	955 542 461 04	Window regulator	front	1	
(1)	955 542 462 04	Window regulator	left	1	
2	955 542 200 00	Window regulator	right	1	
2	955 542 200 00	Clip		2	
3	N 907 764 02	Pop rivet		4	
4	955 542 421 00	A4 X 20 Bracket for Window regulator		2	PR:-QL3,-QL5
4	955 542 421 01	Bracket for Window regulator		2	PR:QL3,QL5
5	955 533 692 00	Screw plastic M6 X 14		2	
6	955 624 701 02	Control unit for window regulator	left lhd	1	PR:L0L
(6)	955 624 702 02	Control unit for window regulator	right lhd	1	PR:L0L
(6)	955 624 702 03	Control unit for window regulator	left rhd	1	PR:L0R
(6)	955 624 701 03	Control unit for window regulator	right rhd	1	PR:L0R
7	955 533 691 10	1 set securing bolts Washer for window opener Engine		1	
8	955 531 353 02	Door frame	left	1	
(8)	955 531 354 02	Door frame	right	1	
9	955 531 346 01	Compensating socket for Door frame		3	
10	955 533 837 00	Grommet for Cover panel		1	
11		Cover panel		1	
12	955 531 477 00	see illustration: Sealing for door slot	807-010 left	1	
(12)	955 531 478 00	Sealing for door slot	right outer	1	
13	955 531 471 00	Sealing for door slot	left inner	1	
(13)	955 531 472 00	Sealing for door slot	right inner	1	
14	955 531 735 00	Plastic foam strip		1	
15	955 531 901 01	Trim A-pillar	left	1	
(15)	955 531 902 01	Trim A-pillar	right	1	
16	955 533 801 02	Trim B-pillar	left	1	
(16)	955 533 802 02	Trim B-pillar	right	1	
17	N 909 311 02	Pop rivet A3,2 X 8		2	
18	955 531 643 00	Socket head bolt M8 X 42,5		4	
18	WHT 001 886	Discontinued part Hexagon socket head bolt (combi) M8 X 42,5		4	
(19)	955 531 729 06	Carrier	left	1	

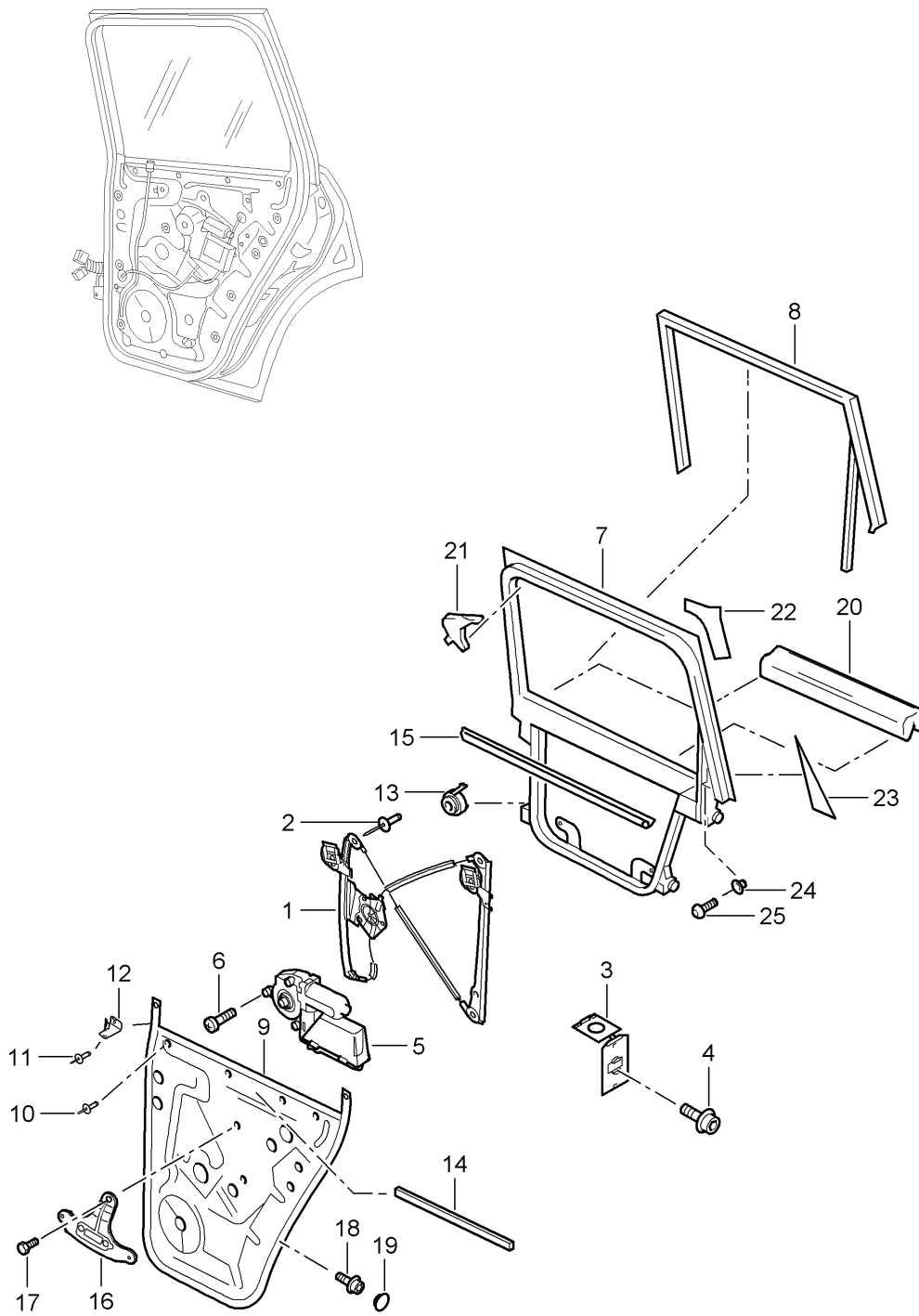
Model: 9PA108

Model life 2007>>2010

Pos	Part Number	Description	Remark	Qty	Model
(19)	955 531 730 06	Carrier	right	1	
20	N 910 177 01	Pop rivet A4,8 X 7		4	
21	955 531 457 01	Trim Window guide	left	1	
(21)	955 531 458 01	Trim Window guide	right	1	
22	955 531 431 01	Window guide	left	1	
(22)	955 531 432 01	Window guide	right	1	
23	N 910 113 01	Oval hexagon socket head bolt for Carrier		X	

Model: 9PA108

Model life 2007>>2010



Model: 9PA108 Model life 2007>>2010

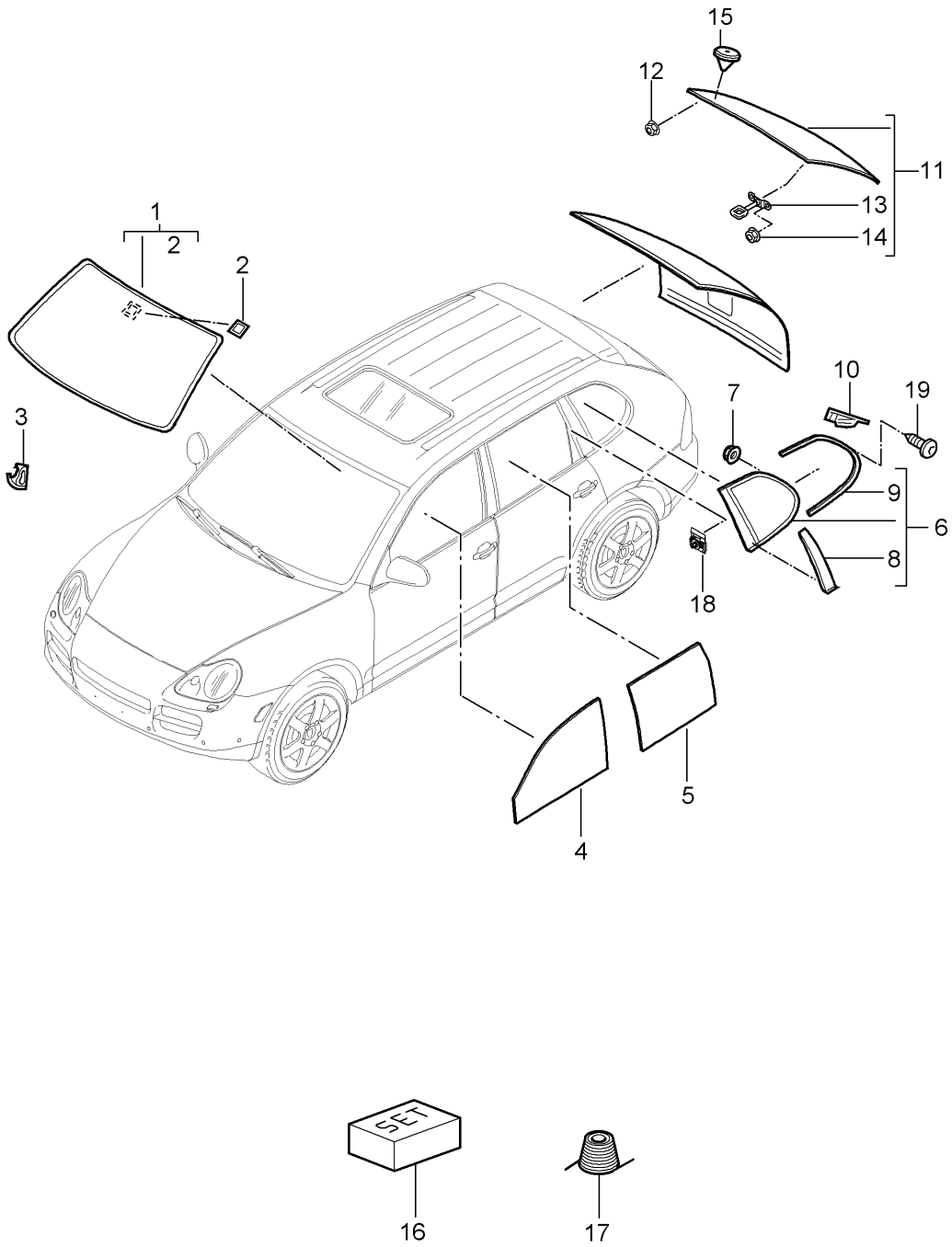
Pos	Part Number	Description	Remark	Qty	Model
1	955 533 461 03	Window regulator	rear	1	
(1)	955 533 462 03	Window regulator	left	1	
2	N 907 764 02	Window regulator	right	1	
		Pop rivet		4	
		A4,8 X 20			
3	955 542 421 00	Bracket		1	PR:-QL3,-QL5
		for window opener			
3	955 542 421 01	Bracket		1	PR:QL3,QL5
		for window opener			
4	955 533 692 00	Screw		2	
		plastic			
		M6 X 14			
5	955 624 703 01	Control unit for window regulator	left	1	
(5)	955 624 704 01	Control unit for window regulator	right	1	
6	955 533 691 10	1 set securing bolts		1	
		Washer			
		for window opener			
		Engine			
7	955 533 353 07	Door frame	left	1	PR:3Y0
(7)	955 533 354 07	Door frame	right	1	PR:3Y0
(7)	955 533 353 06	Door frame	left	1	PR:3Y4
(7)	955 533 354 06	Door frame	right	1	PR:3Y4
8	955 533 431 00	Window guide	left	1	PR:-QL6
(8)	955 533 432 00	Window guide	right	1	PR:-QL6
(8)	955 533 431 01	Window guide	left	1	PR:QL6
(8)	955 533 432 01	Window guide	right	1	PR:QL6
(9)	955 533 729 02	Carrier	left	1	
(9)	955 533 730 02	Carrier	right	1	
10	N 910 177 01	Pop rivet		2	
		A4,8 X 7			
11	N 909 311 02	Pop rivet		2	
		A3,2 X 8			
12	955 533 801 00	Trim	left	1	
(12)	955 533 802 00	Trim	right	1	
13	955 531 346 00	Compensating socket for Carrier		3	
14	955 531 735 00	Plastic foam strip		1	
15	955 533 471 00	Sealing rubber	left	1	
(15)	955 533 472 00	Sealing rubber	right	1	
			inner		
16	955 533 361 01	Carrier		1	
17	N 902 452 04	Hex collared bolt		3	
		M6 X 10			
18	955 531 643 00	Socket head bolt		4	
		M8 X 42,5			
		Discontinued part			
18	WHT 001 886	Hexagon socket head bolt (combi)		4	
		M8 X 42,5			
19	955 531 935 00	Cover cap		2	
20	955 533 477 00	Sealing for door slot	left	1	
(20)	955 533 478 00	Sealing for door slot	right	1	
		Door channel	outer		
21	955 533 151 00	trim for pillar b	left	1	
	955 533 151 00 B41	Satin black			
		B-pillar			
(21)	955 533 152 00	trim for pillar b	right	1	
	955 533 152 00 B41	Satin black			
		B-pillar			
22	955 533 527 00	trim for pillar c	left	1	

Model: 9PA108 Model life 2007>>2010

Pos	Part Number	Description	Remark	Qty	Model
	955 533 527 00 B41	Black c-pillar			
(22)	955 533 528 00	trim for pillar c	right	1	
	955 533 528 00 B41	Black c-pillar			
23	955 533 267 03	Trim	left outer	1	PR:QJ2,QJ5
	955 533 267 03 4W9	Gloss black			
23	955 533 267 05	Trim	left outer	1	PR:QJ4
	955 533 267 05 XX2	Matt black			
(23)	955 533 268 03	Trim	right outer	1	PR:QJ2,QJ5
	955 533 268 03 4W9	Gloss black			
(23)	955 533 268 05	Trim	right outer	1	PR:QJ4
	955 533 268 05 XX2	Matt black			
24	955 533 837 00	Grommet for Mount Trim		1	
25	N 910 017 01	Hexagon socket head panel bolt M5 X 14		1	
-	955 533 739 00	Foam part	left	1	
-	955 533 740 00	Foam part	right	1	

Model: 9PA108

Model life 2007>>2010



Model: 9PA108 Model life 2007>>2010

Pos	Part Number	Description	Remark	Qty	Model
1	955 541 111 10	window glazing Windscreen		1	PR:4GF
(1)	955 541 111 11	Windscreen		1	PR:4GY
(1)	955 541 111 12	Windscreen		1	PR:0F9,4GF
(1)	955 541 111 13	D - MJ 2009>> Windscreen		1	PR:0F9,4GY
3	955 541 530 00	Distance piece Windscreen		2	
4	955 542 511 10	Door window	left	1	PR:QL3,QL5
(4)	955 542 511 12	Door window	left front	1	PR:QL6
(4)	955 542 512 10	Door window	right	1	PR:QL3,QL5
(4)	955 542 512 12	Door window	right front	1	PR:QL6
5	955 542 611 10	Door window	left	1	PR:QL3
(5)	955 542 611 11	Door window	left	1	PR:QL5
(5)	955 542 611 05	Door window	left rear	1	PR:QL6
(5)	955 542 612 10	Door window	right	1	PR:QL3
(5)	955 542 612 11	Door window	right	1	PR:QL5
(5)	955 542 612 05	Door window	right rear	1	PR:QL6
6	955 543 111 19	Side window	left rear	1	PR:QJ2,QL3, QV0,QV4,QV8
(6)	955 543 112 19	Side window	right rear	1	PR:QJ2,QL3, QV0,QV4,QV8
(6)	955 543 111 23	Side window	left rear	1	PR:QJ4,QL3, QV0,QV4,QV8
(6)	955 543 112 23	Side window	right rear	1	PR:QJ4,QL3, QV0,QV4,QV8
(6)	955 543 111 21	Side window	left rear	1	PR:QJ2,QL3, QV1,8L6
(6)	955 543 112 21	Side window	right rear	1	PR:QJ2,QL3, QV1,8L6
(6)	955 543 111 22	Side window	left rear	1	PR:QJ4,QL3, QV1,8L6
(6)	955 543 112 22	Side window	right rear	1	PR:QJ4,QL3, QV1,8L6
(6)	955 543 111 20	Side window	left rear	1	PR:QJ2,QL5, QV0,QV4,QV8
(6)	955 543 112 20	Side window	right rear	1	PR:QJ2,QL5, QV0,QV4,QV8
(6)	955 543 111 24	Side window	left rear	1	PR:QJ4,QL5, QV0,QV4,QV8
(6)	955 543 112 24	Side window	right rear	1	PR:QJ4,QL5, QV0,QV4,QV8
(6)	955 543 111 25	Side window	left rear	1	PR:QJ2,QL5, QV1,8L6
(6)	955 543 111 25	Side window	left rear	1	PR:QJ2,QL5, QV0,8L6,7Q4
(6)	955 543 112 25	Side window	right rear	1	PR:QJ2,QL5, QV1,8L6
(6)	955 543 112 25	Side window	right rear	1	PR:QJ2,QL5, QV0,8L6,7Q4
(6)	955 543 111 26	Side window	left rear	1	PR:QJ4,QL5, QV1,8L6
(6)	955 543 112 26	Side window	right rear	1	PR:QJ4,QL5, QV1,8L6
(6)	955 543 111 18	Side window	left rear	1	PR:QJ2,QL6, QV0,QV4,QV8
(6)	955 543 112 18	Side window	right rear	1	PR:QJ2,QL6, QV0,QV4,QV8

Model: 9PA108 Model life 2007>>2010

Pos	Part Number	Description	Remark	Qty	Model
(6)	955 543 112 33	Discontinued part Side window	right rear	1	PR:QJ2,QL6, QV0,QV4,QV8
(6)	955 543 111 27	Side window	left rear	1	PR:QJ4,QL6, QV0,QV4,QV8
(6)	955 543 112 27	Side window	right rear	1	PR:QJ4,QL6, QV0,QV4,QV8
(6)	955 543 111 28	Side window	left rear	1	PR:QJ2,QL6, QV1,8L6
(6)	955 543 112 28	Side window	right rear	1	PR:QJ2,QL6, QV1,8L6
(6)	955 543 111 29	Side window	left rear	1	PR:QJ4,QL6, QV1,8L6
(6)	955 543 112 29	Side window	right rear	1	PR:QJ4,QL6, QV1,8L6
7	N 908 802 04	Hexagon collar nut self-locking		14	
8	955 543 381 00	trim for pillar c	left	1	PR:QJ2
	955 543 381 00 4W9	Satin aluminium			
	955 543 381 00 XX2	Matt black			
	955 543 381 00 D7Z	Titanium metallic			
(8)	955 543 381 00	trim for pillar c	left	1	PR:QJ4
	955 543 381 00 4W9	Satin aluminium			
	955 543 381 00 XX2	Matt black			
	955 543 381 00 D7Z	Titanium metallic			
(8)	955 543 382 00	trim for pillar c	right	1	PR:QJ2
	955 543 382 00 4W9	Satin aluminium			
	955 543 382 00 XX2	Matt black			
	955 543 382 00 D7Z	Titanium metallic			
(8)	955 543 382 00	trim for pillar c	right	1	PR:QJ4
	955 543 382 00 4W9	Satin aluminium			
	955 543 382 00 XX2	Matt black			
	955 543 382 00 D7Z	Titanium metallic			
9	955 559 195 00	Trim	left	1	PR:QJ2
	955 559 195 00 4W9	Satin aluminium			
	955 559 195 00 XX2	Matt black			
(9)	955 559 195 00	Trim	left	1	PR:QJ4
	955 559 195 00 4W9	Satin aluminium			
	955 559 195 00 XX2	Matt black			
(9)	955 559 196 00	Trim	right	1	PR:QJ2
	955 559 196 00 4W9	Satin aluminium			
	955 559 196 00 XX2	Matt black			
(9)	955 559 196 00	Trim	right	1	PR:QJ4
	955 559 196 00 4W9	Satin aluminium			
	955 559 196 00 XX2	Matt black			
10	955 543 519 00	Clip	left	1	
(10)	955 543 520 00	Clip	right	1	
(11)	955 545 011 12	Rear window		1	PR:QL3,8ZM
(11)	955 545 011 20	Rear window		1	PR:QL3,8ZM
(11)	955 545 011 13	Rear window		1	PR:QL5,8ZM
(11)	955 545 011 21	Rear window		1	PR:QL5,8ZM
(11)	955 545 011 14	Rear window		1	PR:QL6,8ZM
(11)	955 545 011 22	Rear window		1	PR:QL6,8ZM
(11)	955 545 011 15	Rear window		1	PR:QL3,8L6
(11)	955 545 011 23	Rear window		1	PR:QL3,8L6
(11)	955 545 011 16	Rear window		1	PR:QL5,8L6
(11)	955 545 011 24	Rear window		1	PR:QL5,8L6
(11)	955 545 011 17	Rear window		1	PR:QL6,8L6
(11)	955 545 011 25	Rear window		1	PR:QL6,8L6
12	N 903 484 11	hex. nut with washer M 8 Hinge Rear window		4	

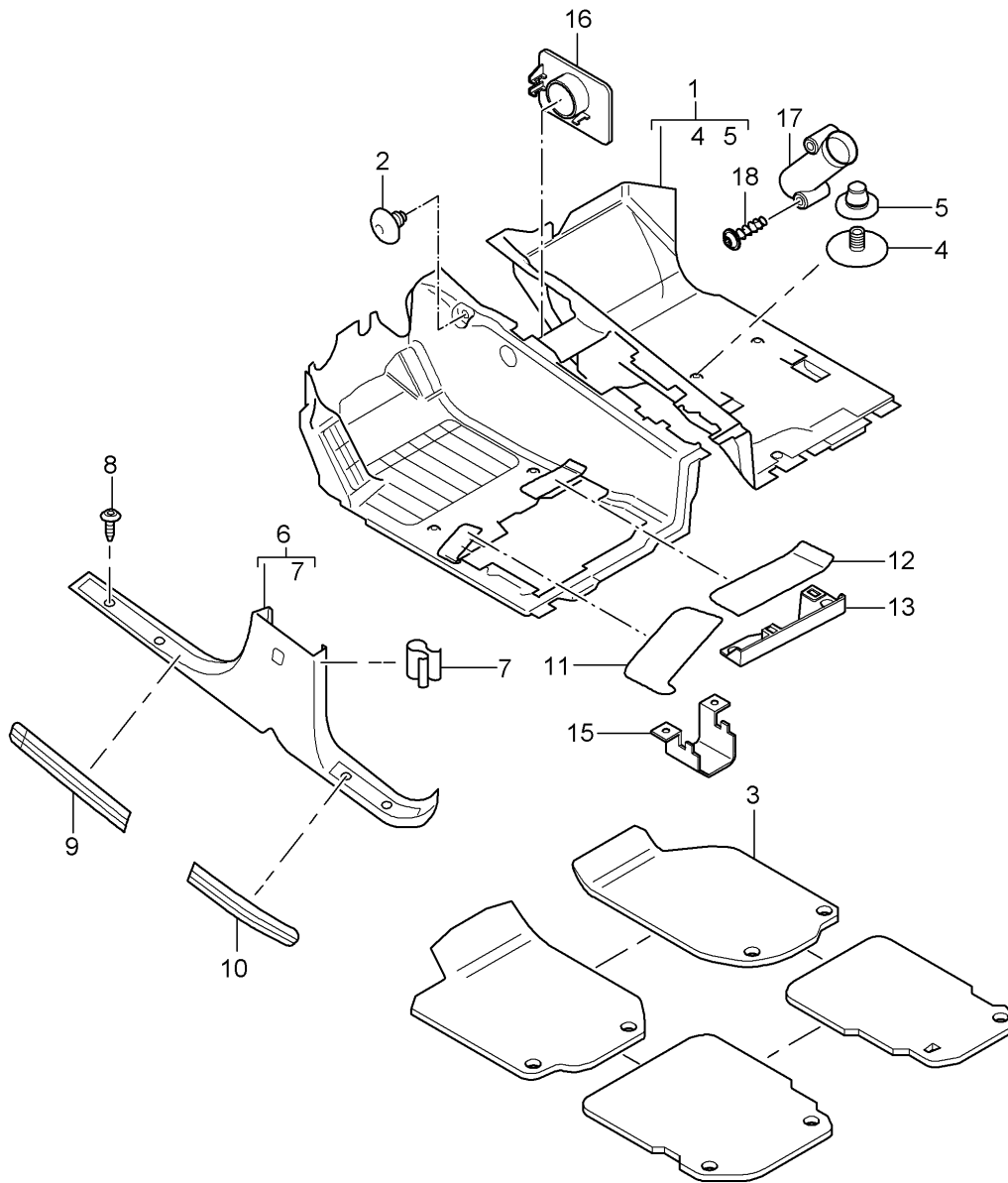
Model: 9PA108

Model life 2007>>2010

Pos	Part Number	Description	Remark	Qty	Model
13	955 545 532 01	Lock lower part		1	
14	N 902 158 04	Hexagon nut		2	
		Lock lower part			
15	955 545 540 00	Cable support sleeve		2	
16	000 043 300 94	Adhesive set		1	
		TEROSTAT 8593			
17	000 043 300 96	Wire		X	
18	955 543 573 00	Clip		X	
		Trim			
		c-pillar			
19	900 143 065 07	panel screw		7	
		2,9 X 9,5			
		Discontinued part			
19	900 073 003 01	panel screw		7	
		2,9 X 9,5			
-	000 043 205 37	emulsion tube		X	
		Supplement set			

Model: 9PA108

Model life 2007>>2010



Model: 9PA108 Model life 2007>>2010

Pos	Part Number	Description	Remark	Qty	Model
1	955 551 021 07	Flooring Accessories Flooring	front lhd	1	PR:L0L,D5X, 3ME,9AB,9AD
	955 551 021 07 7H1	Tufting velour Black			
	955 551 021 07 7J2	steel grey			
	955 551 021 07 7K3	Sand beige			
	955 551 021 07 AV1	chestnut brown D - MJ 2009>>			
(1)	955 551 021 08	Flooring	front lhd	1	PR:L0L,D5V, D5Z,3ME,9AB, 9AD
	955 551 021 08 7H1	Tufting velour Black			
	955 551 021 08 7J2	steel grey			
	955 551 021 08 7K3	Sand beige			
	955 551 021 08 AV1	chestnut brown D - MJ 2009>>			
(1)	955 551 021 08	Flooring	front lhd	1	PR:L0L,D50, 3ME,9AB,9AD
	955 551 021 08 7H1	Tufting velour D - MJ 2009>>			
	955 551 021 08 7J2	Black			
	955 551 021 08 7K3	steel grey			
	955 551 021 08 AV1	Sand beige			
(1)	955 551 023 07	Flooring	front lhd	1	PR:L0L,D5X, 3ME,9AH
	955 551 023 07 7H1	Tufting velour Black			
	955 551 023 07 7J2	steel grey			
	955 551 023 07 7K3	Sand beige			
	955 551 023 07 AV1	chestnut brown D - MJ 2009>>			
(1)	955 551 023 08	Flooring	front lhd	1	PR:L0L,D5V, D5Z,3ME,9AH
	955 551 023 08 7H1	Tufting velour Black			
	955 551 023 08 7J2	steel grey			
	955 551 023 08 7K3	Sand beige			
	955 551 023 08 AV1	chestnut brown D - MJ 2009>>			
(1)	955 551 023 08	Flooring	front lhd	1	PR:L0L,D50, 3ME,9AH
	955 551 023 08 7H1	Tufting velour D - MJ 2009>>			
	955 551 023 08 7J2	Black			
	955 551 023 08 7K3	steel grey			
	955 551 023 08 AV1	Sand beige			
(1)	955 551 025 07	Flooring	front rhd	1	PR:L0R,D5X, 3ME,9AB,9AD
	955 551 025 07 7H1	Tufting velour Black			
	955 551 025 07 7J2	steel grey			
	955 551 025 07 7K3	Sand beige			
	955 551 025 07 AV1	chestnut brown D - MJ 2009>>			
(1)	955 551 025 08	Flooring	front rhd	1	PR:L0R,D5V, D5Z,3ME,9AB, 9AD
	955 551 025 08 7H1	Tufting velour Black			
	955 551 025 08 7J2	steel grey			

Model: 9PA108 Model life 2007>>2010

Pos	Part Number	Description	Remark	Qty	Model
(1)	955 551 025 08 7K3	Sand beige	front	1	PR:L0R,D50, 3ME,9AB,9AD
	955 551 025 08 AV1	chestnut brown			
	955 551 025 08	D - MJ 2009>> Flooring			
		Tufting velour			
		D - MJ 2009>>			
(1)	955 551 025 08 7H1	Black	front	1	PR:L0R,D5X, 3ME,9AH
	955 551 025 08 7J2	steel grey			
	955 551 025 08 7K3	Sand beige			
	955 551 025 08 AV1	chestnut brown			
	955 551 027 07	Flooring			
(1)	955 551 027 07 7H1	Black	front	1	PR:L0R,D5V, D5Z,3ME,9AH
	955 551 027 07 7J2	steel grey			
	955 551 027 07 7K3	Sand beige			
	955 551 027 07 AV1	chestnut brown			
	955 551 027 08	D - MJ 2009>> Flooring			
(1)	955 551 027 08 7H1	Black	front	1	PR:L0R,D50, 3ME,9AH
	955 551 027 08 7J2	steel grey			
	955 551 027 08 7K3	Sand beige			
	955 551 027 08 AV1	chestnut brown			
	955 551 027 08	D - MJ 2009>> Flooring			
1	955 551 027 08 7H1	Black	front	1	PR:L0L,D5X, 3MT,9AB,9AD
	955 551 027 08 7J2	steel grey			
	955 551 027 08 7K3	Sand beige			
	955 551 027 08 AV1	chestnut brown			
	955 551 029 07	Flooring			
1		Perlon velour	front	1	PR:L0L,D5V, D5Z,3MT,9AB, 9AD
		D >> - MJ 2008			
	955 551 029 07 L63	chestnut brown			
	955 551 029 07 8B2	Black			
	955 551 029 07 8C3	steel grey			
1	955 551 029 07 8D4	Sand beige	front	1	PR:L0L,D5V, D5Z,3MT,9AB, 9AD
	955 551 029 08	Flooring			
		Perlon velour			
		D >> - MJ 2008			
	955 551 029 08 L63	chestnut brown			
1	955 551 029 08 8B2	Black	front	1	PR:L0L,D5X, 3MT,9AH
	955 551 029 08 8C3	steel grey			
	955 551 029 08 8D4	Sand beige			
	955 551 031 07	Flooring			
		Perlon velour			
(1)		D >> - MJ 2008	front	1	PR:L0L,D5V, D5Z,3MT,9AH
	955 551 031 07 L63	chestnut brown			
	955 551 031 07 8B2	Black			
	955 551 031 07 8C3	steel grey			
	955 551 031 07 8D4	Sand beige			
(1)	955 551 031 08	Flooring	front	1	PR:L0L,D5V, D5Z,3MT,9AH
		Perlon velour			

Model: 9PA108 Model life 2007>>2010

Pos	Part Number	Description	Remark	Qty	Model
		D >> - MJ 2008			
	955 551 031 08 L63	chestnut brown			
	955 551 031 08 8B2	Black			
	955 551 031 08 8C3	steel grey			
	955 551 031 08 8D4	Sand beige			
(1)	955 551 030 07	Flooring	front rhd	1	PR:L0R,D5X,3MT,9AB,9AD
		Perlon velour			
		D >> - MJ 2008			
	955 551 030 07 L63	chestnut brown			
	955 551 030 07 8B2	Black			
	955 551 030 07 8C3	steel grey			
	955 551 030 07 8D4	Sand beige			
(1)	955 551 030 08	Flooring	front rhd	1	PR:L0R,D5V,D5Z,3MT,9AB,9AD
		Perlon velour			
		D >> - MJ 2008			
	955 551 030 08 L63	chestnut brown			
	955 551 030 08 8B2	Black			
	955 551 030 08 8C3	steel grey			
	955 551 030 08 8D4	Sand beige			
(1)	955 551 032 07	Flooring	front rhd	1	PR:L0R,D5X,3MT,9AH
		Perlon velour			
		D >> - MJ 2008			
	955 551 032 07 L63	chestnut brown			
	955 551 032 07 8B2	Black			
	955 551 032 07 8C3	steel grey			
	955 551 032 07 8D4	Sand beige			
(1)	955 551 032 08	Flooring	front rhd	1	PR:L0R,D5V,D5Z,3MT,9AH
		Perlon velour			
		D >> - MJ 2008			
	955 551 032 08 L63	chestnut brown			
	955 551 032 08 8B2	Black			
	955 551 032 08 8C3	steel grey			
	955 551 032 08 8D4	Sand beige			
2	N 906 246 01	press stud		2	
3		Floor mats		1	
		Set			
		see illustration:	807-000		
		Tequipment catalogue			
4	955 551 227 02	Bracket		4	
		Flooring			
5	955 551 229 02	Cover cap		4	
	955 551 229 02 9B9	Satin black			
	955 551 229 02 6C6	Sand beige			
	955 551 229 02 7A8	steel grey			
	955 551 229 02 K40	chestnut brown			
6	955 551 379 02	Sill trim strip	left inner	1	PR:7AC,7AK,7AL
	955 551 379 02 9B9	Satin black			
	955 551 379 02 7A8	steel grey			
	955 551 379 02 6C6	Sand beige			
6	955 551 381 02	Sill trim strip	left inner	1	PR:7AH,7AU
		D >> - MJ 2008			
	955 551 381 02 9B9	Satin black			
	955 551 381 02 7A8	steel grey			
	955 551 381 02 6C6	Sand beige			
6	955 551 381 03	Sill trim strip	left inner	1	PR:7AH,7AU

Model: 9PA108 Model life 2007>>2010

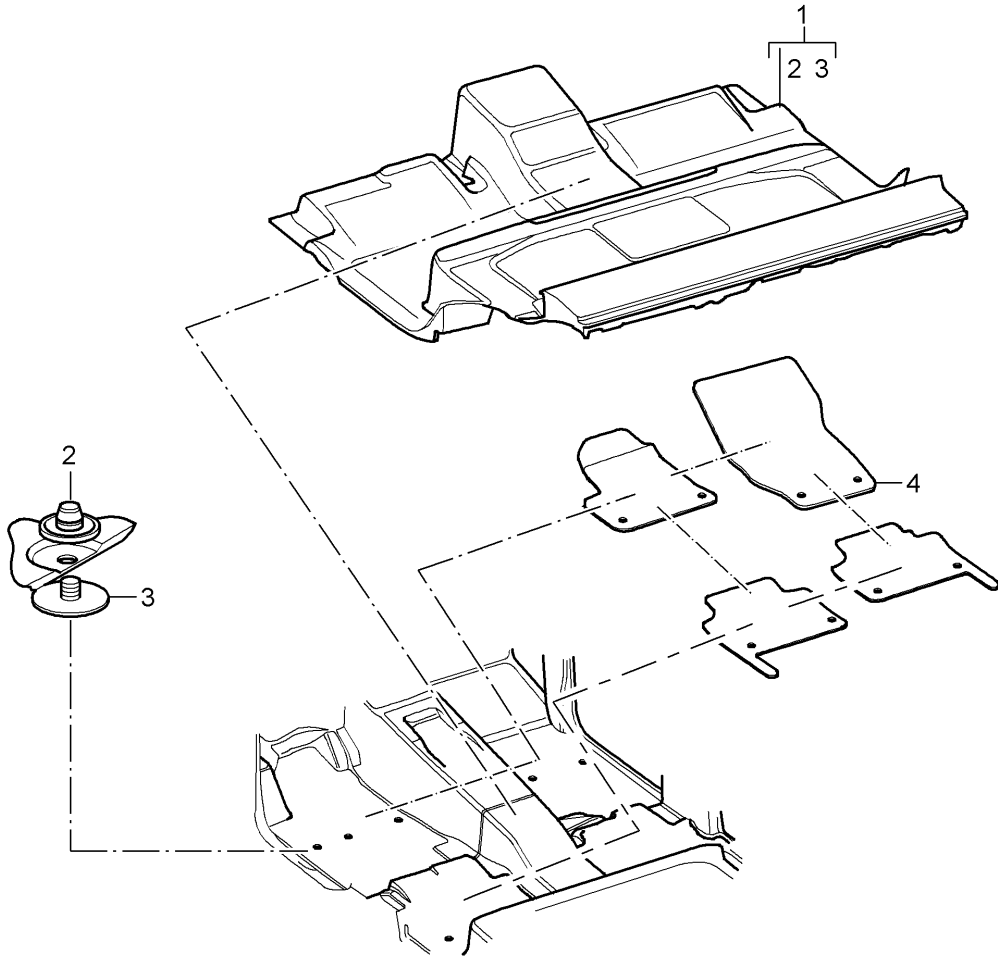
Pos	Part Number	Description	Remark	Qty	Model
		D - MJ 2008>>			
	955 551 381 03 9B9	Satin black			
	955 551 381 03 7A8	steel grey			
	955 551 381 03 6C6	Sand beige			
(6)	955 551 380 02	Sill trim strip	right inner	1	
	955 551 380 02 9B9	Satin black			
	955 551 380 02 7A8	steel grey			
	955 551 380 02 6C6	Sand beige			
7	955 551 276 00	Retaining clip		7	
8	N 104 472 01	Hexagon socket oval head panel bolt (combi) Mount		4	
		Sill trim strip			
9	955 551 655 01	Trim	left front	1	PR:7M0
		Sill trim strip			
	955 551 655 01 9B9	Satin black			
	955 551 655 01 6C6	Sand beige			
	955 551 655 01 7A8	steel grey			
(9)	955 551 656 01	Trim	right front	1	PR:7M0
		Sill trim strip			
	955 551 656 01 9B9	Satin black			
	955 551 656 01 6C6	Sand beige			
	955 551 656 01 7A8	steel grey			
9	955 551 657 01	Trim	left front	1	PR:7M1
		Sill trim strip			
	955 551 657 01 4P7	stainless steel			
(9)	955 551 658 01	Trim	right front	1	PR:7M1
		Sill trim strip			
	955 551 658 01 4P7	stainless steel			
9	955 551 657 10	Trim	left front	1	PR:E0W,7M1
		Sill trim strip			
	D - MJ 2008>>				
	955 551 657 10 4P7	stainless steel			
(9)	955 551 658 10	Trim	right front	1	PR:E0W,7M1
		Sill trim strip			
	D - MJ 2008>>				
	955 551 658 10 4P7	stainless steel			
(9)	955 551 657 11	Trim	left front	1	PR:E2D,7M1
		Sill trim strip			
	D - MJ 2009>>				
	955 551 657 11 4P7	stainless steel			
(9)	955 551 658 11	Trim	right front	1	PR:E2D,7M1
		Sill trim strip			
	D - MJ 2009>>				
	955 551 658 11 4P7	stainless steel			
9	955 551 663 01	Trim	left front	1	PR:E8A,7M1
		Sill trim strip			
	D - MJ 2009>>				
	955 551 663 01 6M7	stainless steel			
(9)	955 551 664 01	Trim	right front	1	PR:E8A,7M1
		Sill trim strip			
	D - MJ 2009>>				
	955 551 664 01 6M7	stainless steel			
(9)	955 551 663 10	Trim	left front	1	PR:E1T,7M1
		Sill trim strip			
	D - MJ 2010>>				
	955 551 663 10 4P7	stainless steel			
(9)	955 551 664 10	Trim	right front	1	PR:E1T,7M1
		Sill trim strip			
	D - MJ 2010>>				
	955 551 664 10 4P7	stainless steel			
10	955 551 659 01	Trim	left	1	PR:7M0

Model: 9PA108 Model life 2007>>2010

Pos	Part Number	Description	Remark	Qty	Model
		Sill trim strip	rear		
	955 551 659 01 9B9	Satin black			
	955 551 659 01 6C6	Sand beige			
	955 551 659 01 7A8	steel grey			
(10)	955 551 660 01	Trim	right	1	PR:7M0
		Sill trim strip	rear		
	955 551 660 01 9B9	Satin black			
	955 551 660 01 6C6	Sand beige			
	955 551 660 01 7A8	steel grey			
10	955 551 661 01	Trim	left	1	PR:7M1
		Sill trim strip	rear		
	955 551 661 01 4P7	stainless steel			
(10)	955 551 662 01	Trim	right	1	PR:7M1
		Sill trim strip	rear		
	955 551 662 01 4P7	stainless steel			
11	955 551 357 00	Trim	front	1	
		Flooring			
	955 551 357 00 9B9	Satin black			
	955 551 357 00 6C6	Sand beige			
	955 551 357 00 7A8	steel grey			
	955 551 357 00 K40	chestnut brown			
12	955 551 298 00	Trim	front	1	
		Flooring			
	955 551 298 00 9B9	Satin black			
	955 551 298 00 6C6	Sand beige			
	955 551 298 00 7A8	steel grey			
	955 551 298 00 K40	chestnut brown			
-	955 555 279 00	Retaining clip		2	
		Trim			
		Flooring			
13	955 551 456 00	Rail		1	
		for			
		Trim			
15	955 551 499 00	Securing element		1	
		Trim			
		Flooring			
16	955 551 285 00	Frame	left	1	
		for			
		adjusting screw			
		retaining frame			
(16)	955 551 286 00	Frame	right	1	
		for			
		adjusting screw			
		retaining frame			
17	955 551 852 00	Bracket		1	PR:B0L
		Warning light			
18	999 919 254 01	fillister hd. bolt		2	PR:B0L
		4,0 X 36,5			

Model: 9PA108

Model life 2007>>2010



Model: 9PA108 Model life 2007>>2010

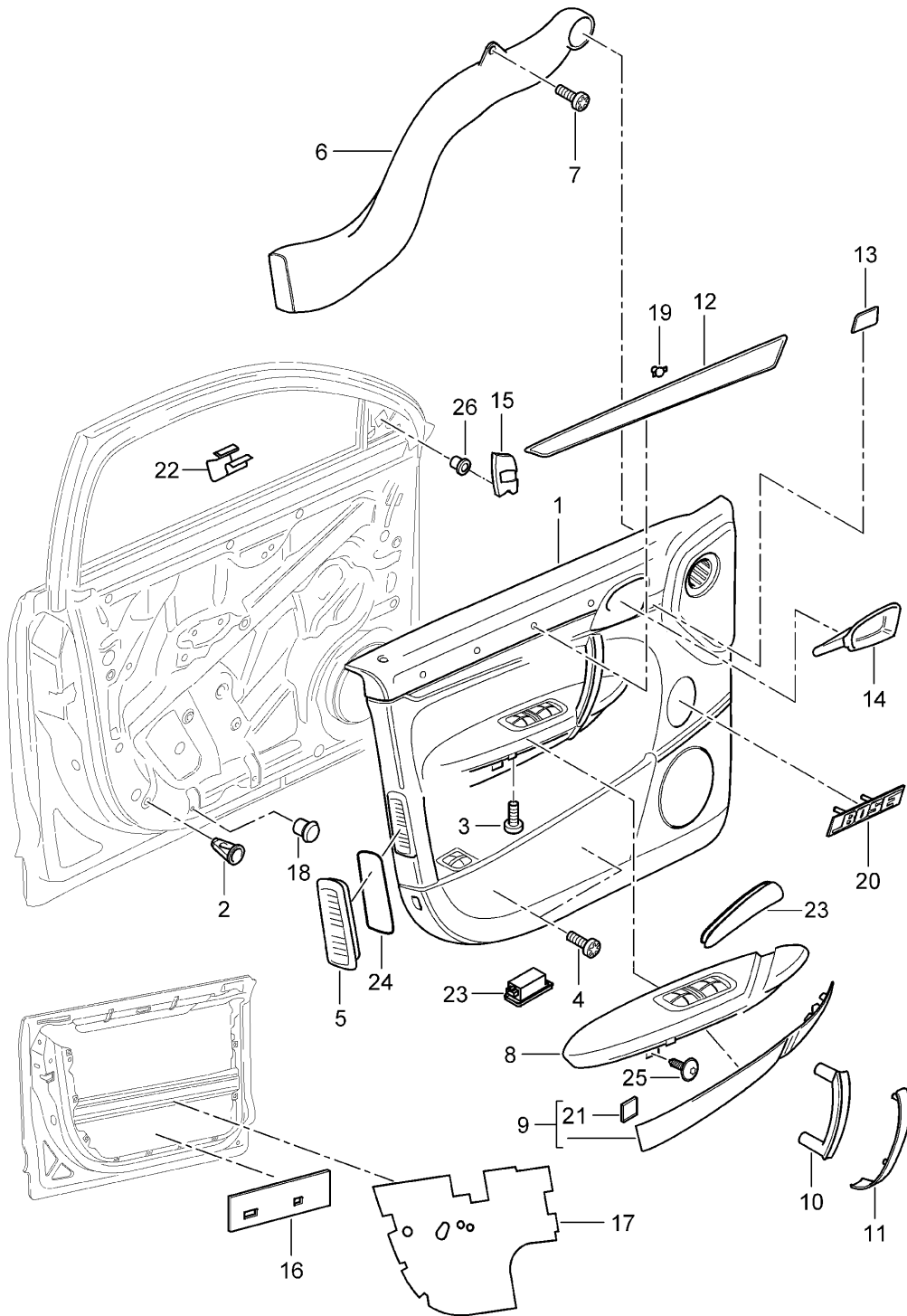
Pos	Part Number	Description	Remark	Qty	Model
1	955 551 175 02	Flooring Accessories Flooring Valid up to: F >> 9P-8LA10 004 F >> 9P-8LA40 005 F >> 9P-8LA90 018 Tufting velour	rear rear	1	PR: 3ME, 9AB, 9AD
(1)	955 551 175 02 7H1 955 551 175 02 7J2 955 551 175 02 7K3 955 551 176 02	Black steel grey Sand beige Flooring Valid up to: F >> 9P-8LA10 004 F >> 9P-8LA40 005 F >> 9P-8LA90 018 Tufting velour	rear	1	PR: 3ME, 9AH
(1)	955 551 176 02 7H1 955 551 176 02 7J2 955 551 176 02 7K3 955 551 175 04	Black steel grey Sand beige Flooring Valid from: F 9P-8LA10 005>> F 9P-8LA40 006>> F 9P-8LA90 019>> F 9P-8LA70 061>> Tufting velour	rear	1	PR: 3ME, 9AB, 9AD
(1)	955 551 175 04 7H1 955 551 175 04 7J2 955 551 175 04 7K3 955 551 175 04 AV1 955 551 176 04	Black steel grey Sand beige chestnut brown D - MJ 2009>> Flooring Valid from: F 9P-8LA10 005>> F 9P-8LA40 006>> F 9P-8LA90 019>> F 9P-8LA70 061>> Tufting velour	rear	1	PR: 3ME, 9AH
(1)	955 551 176 04 7H1 955 551 176 04 7J2 955 551 176 04 7K3 955 551 176 04 AV1 955 551 171 05	Black steel grey Sand beige chestnut brown D - MJ 2009>> Flooring Carpet Valid up to: F >> 9P-8LA01 047 Pearl velour	rear	1	PR: 3MT, 9AB, 9AD
(1)	955 551 171 05 L63 955 551 171 05 8B2 955 551 171 05 8C3 955 551 171 05 8D4 955 551 173 06	chestnut brown Black steel grey Sand beige Flooring Carpet Valid up to: F >> 9P-8LA01 047	rear	1	PR: 3MT, 9AH

Model: 9PA108 Model life 2007>>2010

Pos	Part Number	Description	Remark	Qty	Model
1	955 551 173 06 L63	Pearl velour chestnut brown	rear	1	PR: 3MT, 9AB, 9AD
	955 551 173 06 8B2	Black			
	955 551 173 06 8C3	steel grey			
	955 551 173 06 8D4	Sand beige			
	955 551 171 07	Flooring Carpet Valid from: F 9P-8LA01 048>> F 9P-8LA70 061>> Perlon velour D >> - MJ 2008			
	955 551 171 07 L63	chestnut brown			
	955 551 171 07 8B2	Black			
	955 551 171 07 8C3	steel grey			
	955 551 171 07 8D4	Sand beige			
	(1) 955 551 173 08	Flooring Carpet Valid from: F 9P-8LA01 048>> F 9P-8LA70 061>> Perlon velour D >> - MJ 2008			
2	955 551 173 08 L63	chestnut brown		4	
	955 551 173 08 8B2	Black			
	955 551 173 08 8C3	steel grey			
	955 551 173 08 8D4	Sand beige			
	955 551 229 02	Cover cap Flooring			
	955 551 229 02 9B9	Satin black			
	955 551 229 02 6C6	Sand beige			
	955 551 229 02 7A8	steel grey			
	955 551 229 02 K40	chestnut brown			
	(3) 955 551 227 02	Bracket Flooring			
4		Floor mats Set see illustration: Tequipment catalogue	807-000	1	

Model: 9PA108

Model life 2007>>2010



Model: 9PA108

Model life 2007>>2010

Pos	Part Number	Description	Remark	Qty	Model
		door panel	front		
		with:			
1	955 555 123 04	Damping Door trim (leatherette)	left lhd	1	PR:L0L,3LD, 4E0,9AB,9AD
	955 555 123 04 PBJ	Black			
	955 555 123 04 PBK	Stone grey/steel grey			
	955 555 123 04 PBL	Havanna/sand beige			
(1)	955 555 123 05	Door trim (leatherette)	left lhd	1	PR:L0L,3LD, 4E7,9AB,9AD
	955 555 123 05 PBJ	Black			
	955 555 123 05 PBK	Stone grey/steel grey			
	955 555 123 05 PBL	Havanna/sand beige			
(1)	955 555 124 03	Door trim (leatherette)	right lhd	1	PR:L0L,3LD, 9AB,9AD
	955 555 124 03 PBJ	Black			
	955 555 124 03 PBK	Stone grey/steel grey			
	955 555 124 03 PBL	Havanna/sand beige			
1	955 555 125 04	Door trim (leatherette)	left lhd	1	PR:L0L,3LD, 4E0,9AH
	955 555 125 04 PBJ	black/black			
	955 555 125 04 PBK	Stone grey/steel grey			
	955 555 125 04 PBL	Havanna/sand beige			
1	955 555 125 05	Door trim (leatherette)	left lhd	1	PR:L0L,3LD, 4E7,9AH
	955 555 125 05 PBJ	Black			
	955 555 125 05 PBK	Stone grey/steel grey			
	955 555 125 05 PBL	Havanna/sand beige			
(1)	955 555 126 03	Door trim (leatherette)	right lhd	1	PR:L0L,3LD, 9AH
	955 555 126 03 PBJ	black/black			
	955 555 126 03 PBK	Stone grey/steel grey			
	955 555 126 03 PBL	Havanna/sand beige			
1	955 555 127 03	Door trim (leatherette)	left rhd	1	PR:L0R,3LD, 9AB,9AD
	955 555 127 03 PBJ	black/black			
	955 555 127 03 PBK	Stone grey/steel grey			
	955 555 127 03 PBL	Havanna/sand beige			
(1)	955 555 128 04	Door trim (leatherette)	right rhd	1	PR:L0R,3LD, 4E0,9AB,9AD
	955 555 128 04 PBJ	black/black			
	955 555 128 04 PBK	Stone grey/steel grey			
	955 555 128 04 PBL	Havanna/sand beige			
(1)	955 555 128 05	Door trim (leatherette)	right rhd	1	PR:L0R,3LD, 4E7,9AB,9AD
	955 555 128 05 PBJ	Black			
	955 555 128 05 PBK	Stone grey/steel grey			
	955 555 128 05 PBL	Havanna/sand beige			
1	955 555 129 03	Door trim (leatherette)	left rhd	1	PR:L0R,3LD, 9AH
	955 555 129 03 PBJ	black/black			
	955 555 129 03 PBK	Stone grey/steel grey			
	955 555 129 03 PBL	Havanna/sand beige			
(1)	955 555 130 04	Door trim (leatherette)	right rhd	1	PR:L0R,3LD, 4E0,9AH
	955 555 130 04 PBJ	black/black			
	955 555 130 04 PBK	Stone grey/steel grey			
	955 555 130 04 PBL	Havanna/sand beige			
(1)	955 555 130 05	Door trim (leatherette)	right rhd	1	PR:L0R,3LD, 4E7,9AH
	955 555 130 05 PBJ	Black			
	955 555 130 05 PBK	Stone grey/steel grey			
	955 555 130 05 PBL	Havanna/sand beige			

Model: 9PA108 Model life 2007>>2010

Pos	Part Number	Description	Remark	Qty	Model
1	955 555 111 05	Door panel trim (leather)	left lhd	1	PR:L0L,3LH, 4E0,9AB,9AD
		D >> - MJ 2008			
	955 555 111 05 PBS	Black			
	955 555 111 05 PBT	Stone grey/steel grey			
	955 555 111 05 PBU	Havanna/sand beige			
	955 555 111 05 RKR	Sand beige/sand beige			
(1)	955 555 111 06	Door panel trim (leather)	left lhd	1	PR:L0L,3LH, 4E7,9AB,9AD
		D >> - MJ 2008			
	955 555 111 06 PBS	Black			
	955 555 111 06 PBT	Stone grey/steel grey			
	955 555 111 06 PBU	Havanna/sand beige			
	955 555 111 06 RKR	Sand beige/sand beige			
(1)	955 555 112 04	Door panel trim (leather)	right lhd	1	PR:L0L,3LH, 9AB,9AD
		D >> - MJ 2008			
	955 555 112 04 PBS	Black			
	955 555 112 04 PBT	Stone grey/steel grey			
	955 555 112 04 PBU	Havanna/sand beige			
	955 555 112 04 RKR	Sand beige/sand beige			
1	955 555 111 07	Door panel trim (leather)	left lhd	1	PR:L0L,3LH, 4E0,9AB,9AD
		D - MJ 2009>>			
	955 555 111 07 ZPT	Black			
	955 555 111 07 ZPU	Stone grey/steel grey			
	955 555 111 07 ZPV	Havanna/sand beige			
	955 555 111 07 ZPW	Sand beige/sand beige			
(1)	955 555 111 08	Door panel trim (leather)	left lhd	1	PR:L0L,3LH, 4E7,9AB,9AD
		D - MJ 2009>>			
	955 555 111 08 ZPT	Black			
	955 555 111 08 ZPU	Stone grey/steel grey			
	955 555 111 08 ZPV	Havanna/sand beige			
	955 555 111 08 ZPW	Sand beige/sand beige			
(1)	955 555 112 05	Door panel trim (leather)	right lhd	1	PR:L0L,3LH, 9AB,9AD
		D - MJ 2009>>			
	955 555 112 05 ZPT	Black			
	955 555 112 05 ZPU	Stone grey/steel grey			
	955 555 112 05 ZPV	Havanna/sand beige			
	955 555 112 05 ZPW	Sand beige/sand beige			
1	955 555 115 05	Door panel trim (leather)	left lhd	1	PR:L0L,3LH, 4E0,9AH
		D >> - MJ 2008			
	955 555 115 05 PBS	Black			
	955 555 115 05 PBT	Stone grey/steel grey			
	955 555 115 05 PBU	Havanna/sand beige			
	955 555 115 05 RKR	Sand beige/sand beige			
(1)	955 555 115 06	Door panel trim (leather)	left lhd	1	PR:L0L,3LH, 4E7,9AH
		D >> - MJ 2008			
	955 555 115 06 PBS	Black			
	955 555 115 06 PBT	Stone grey/steel grey			
	955 555 115 06 PBU	Havanna/sand beige			
	955 555 115 06 RKR	Sand beige/sand beige			
(1)	955 555 116 04	Door panel trim (leather)	right lhd	1	PR:L0L,3LH, 9AH
		D >> - MJ 2008			
	955 555 116 04 PBS	Black			
	955 555 116 04 PBT	Stone grey/steel grey			
	955 555 116 04 PBU	Havanna/sand beige			
	955 555 116 04 RKR	Sand beige/sand beige			

Model: 9PA108 Model life 2007>>2010

Pos	Part Number	Description	Remark	Qty	Model
1	955 555 115 07	Door panel trim (leather)	left lhd	1	PR:L0L,3LH, 4E0,9AH
		D - MJ 2009>>			
	955 555 115 07 ZPT	Black			
	955 555 115 07 ZPU	Stone grey/steel grey			
	955 555 115 07 ZPV	Havanna/sand beige			
	955 555 115 07 ZPW	Sand beige/sand beige			
(1)	955 555 115 08	Door panel trim (leather)	left lhd	1	PR:L0L,3LH, 4E7,9AH
		D - MJ 2009>>			
	955 555 115 08 ZPT	Black			
	955 555 115 08 ZPU	Stone grey/steel grey			
	955 555 115 08 ZPV	Havanna/sand beige			
	955 555 115 08 ZPW	Sand beige/sand beige			
(1)	955 555 116 05	Door panel trim (leather)	right lhd	1	PR:L0L,3LH, 9AH
		D - MJ 2009>>			
	955 555 116 05 ZPT	Black			
	955 555 116 05 ZPU	Stone grey/steel grey			
	955 555 116 05 ZPV	Havanna/sand beige			
	955 555 116 05 ZPW	Sand beige/sand beige			
1	955 555 117 04	Door panel trim (leather)	left rhd	1	PR:L0R,3LH, 9AB,9AD
		D >> - MJ 2008			
	955 555 117 04 PBS	Black			
	955 555 117 04 PBT	Stone grey/steel grey			
	955 555 117 04 PBU	Havanna/sand beige			
	955 555 117 04 RKR	Sand beige/sand beige			
(1)	955 555 118 05	Door panel trim (leather)	right rhd	1	PR:L0R,3LH, 4E0,9AB,9AD
		D >> - MJ 2008			
	955 555 118 05 PBS	Black			
	955 555 118 05 PBT	Stone grey/steel grey			
	955 555 118 05 PBU	Havanna/sand beige			
	955 555 118 05 RKR	Sand beige/sand beige			
(1)	955 555 118 06	Door panel trim (leather)	right rhd	1	PR:L0R,3LH, 4E7,9AB,9AD
		D >> - MJ 2008			
	955 555 118 06 PBS	Black			
	955 555 118 06 PBT	Stone grey/steel grey			
	955 555 118 06 PBU	Havanna/sand beige			
	955 555 118 06 RKR	Sand beige/sand beige			
1	955 555 117 05	Door panel trim (leather)	left rhd	1	PR:L0R,3LH, 9AB,9AD
		D - MJ 2009>>			
	955 555 117 05 ZPT	Black			
	955 555 117 05 ZPU	Stone grey/steel grey			
	955 555 117 05 ZPV	Havanna/sand beige			
	955 555 117 05 ZPW	Sand beige/sand beige			
(1)	955 555 118 07	Door panel trim (leather)	right rhd	1	PR:L0R,3LH, 4E0,9AB,9AD
		D - MJ 2009>>			
	955 555 118 07 ZPT	Black			
	955 555 118 07 ZPU	Stone grey/steel grey			
	955 555 118 07 ZPV	Havanna/sand beige			
	955 555 118 07 ZPW	Sand beige/sand beige			
(1)	955 555 118 08	Door panel trim (leather)	right rhd	1	PR:L0R,3LH, 4E7,9AB,9AD
		D - MJ 2009>>			
	955 555 118 08 ZPT	Black			
	955 555 118 08 ZPU	Stone grey/steel grey			
	955 555 118 08 ZPV	Havanna/sand beige			
	955 555 118 08 ZPW	Sand beige/sand beige			

Model: 9PA108 Model life 2007>>2010

Pos	Part Number	Description	Remark	Qty	Model
1	955 555 119 04	Door panel trim (leather)	left rhd	1	PR:L0R,3LH,9AH
		D >> - MJ 2008			
	955 555 119 04 PBS	Black			
	955 555 119 04 PBT	Stone grey/steel grey			
	955 555 119 04 PBU	Havanna/sand beige			
	955 555 119 04 RKR	Sand beige/sand beige			
(1)	955 555 120 05	Door panel trim (leather)	right rhd	1	PR:L0R,3LH,4E0,9AH
		D >> - MJ 2008			
	955 555 120 05 PBS	Black			
	955 555 120 05 PBT	Stone grey/steel grey			
	955 555 120 05 PBU	Havanna/sand beige			
	955 555 120 05 RKR	Sand beige/sand beige			
(1)	955 555 120 06	Door panel trim (leather)	right rhd	1	PR:L0R,3LH,4E7,9AH
		D >> - MJ 2008			
	955 555 120 06 PBS	Black			
	955 555 120 06 PBT	Stone grey/steel grey			
	955 555 120 06 PBU	Havanna/sand beige			
	955 555 120 06 RKR	Sand beige/sand beige			
1	955 555 119 05	Door panel trim (leather)	left rhd	1	PR:L0R,3LH,9AH
		D - MJ 2009>>			
	955 555 119 05 ZPT	Black			
	955 555 119 05 ZPU	Stone grey/steel grey			
	955 555 119 05 ZPV	Havanna/sand beige			
	955 555 119 05 ZPW	Sand beige/sand beige			
(1)	955 555 120 07	Door panel trim (leather)	right rhd	1	PR:L0R,3LH,4E0,9AH
		D - MJ 2009>>			
	955 555 120 07 ZPT	Black			
	955 555 120 07 ZPU	Stone grey/steel grey			
	955 555 120 07 ZPV	Havanna/sand beige			
	955 555 120 07 ZPW	Sand beige/sand beige			
(1)	955 555 120 08	Door panel trim (leather)	right rhd	1	PR:L0R,3LH,4E7,9AH
		D - MJ 2009>>			
	955 555 120 08 ZPT	Black			
	955 555 120 08 ZPU	Stone grey/steel grey			
	955 555 120 08 ZPV	Havanna/sand beige			
	955 555 120 08 ZPW	Sand beige/sand beige			
1	955 555 131 10	Door panel trim (leather)	left lhd	1	PR:L0L,3LM,4E0,9AB,9AD
		Leather Nature			
		D >> - MJ 2008			
(1)	955 555 131 10 WPH	chestnut brown			
(1)	955 555 131 11	Door panel trim (leather)	left lhd	1	PR:L0L,3LM,4E7,9AB,9AD
		Leather Nature			
		D >> - MJ 2008			
(1)	955 555 131 11 WPH	chestnut brown			
(1)	955 555 132 10	Door panel trim (leather)	right lhd	1	PR:L0L,3LM,9AB,9AD
		Leather Nature			
		D >> - MJ 2008			
1	955 555 132 10 WPH	chestnut brown			
1	955 555 131 12	Door panel trim (leather)	left lhd	1	PR:L0L,3LM,4E0,9AB,9AD
		Leather Nature			
		D - MJ 2009>>			
(1)	955 555 131 12 ZPR	chestnut brown			
(1)	955 555 131 13	Door panel trim (leather)	left lhd	1	PR:L0L,3LM,

Model: 9PA108 Model life 2007>>2010

Pos	Part Number	Description	Remark	Qty	Model
(1)	955 555 131 13 ZPR 955 555 132 11	Leather Nature D - MJ 2009>> chestnut brown Door panel trim (leather)	right lhd	1	4E7, 9AB, 9AD PR:L0L, 3LM, 9AB, 9AD
1	955 555 132 11 ZPR 955 555 133 10	Leather Nature D - MJ 2009>> chestnut brown Door panel trim (leather)	left lhd	1	PR:L0L, 3LM, 4E0, 9AH
(1)	955 555 133 10 WPH 955 555 133 11	Leather Nature D >> - MJ 2008 chestnut brown Door panel trim (leather)	left lhd	1	PR:L0L, 3LM, 4E7, 9AH
(1)	955 555 133 11 WPH 955 555 134 10	Leather Nature D >> - MJ 2008 chestnut brown Door panel trim (leather)	right lhd	1	PR:L0L, 3LM, 9AH
1	955 555 134 10 WPH 955 555 133 12	Leather Nature D >> - MJ 2008 chestnut brown Door panel trim (leather)	left lhd	1	PR:L0L, 3LM, 4E0, 9AH
(1)	955 555 133 12 ZPR 955 555 133 13	Leather Nature D - MJ 2009>> chestnut brown Door panel trim (leather)	left lhd	1	PR:L0L, 3LM, 4E7, 9AH
(1)	955 555 133 13 ZPR 955 555 134 11	Leather Nature D - MJ 2009>> chestnut brown Door panel trim (leather)	left lhd	1	PR:L0L, 3LM, 9AH
1	955 555 134 11 ZPR 955 555 135 10	Leather Nature D - MJ 2009>> chestnut brown Door panel trim (leather)	left rhd	1	PR:L0R, 3LM, 9AB, 9AD
(1)	955 555 135 10 WPH 955 555 136 10	Leather Nature D >> - MJ 2008 chestnut brown Door panel trim (leather)	right rhd	1	PR:L0R, 3LM, 4E0, 9AB, 9AD
(1)	955 555 136 10 WPH 955 555 136 11	Leather Nature D >> - MJ 2008 chestnut brown Door panel trim (leather)	right rhd	1	PR:L0R, 3LM, 4E7, 9AB, 9AD
1	955 555 136 11 WPH 955 555 135 11	Leather Nature D >> - MJ 2008 chestnut brown Door panel trim (leather)	left rhd	1	PR:L0R, 3LM, 9AB, 9AD
(1)	955 555 135 11 ZPR 955 555 136 12	Leather Nature D - MJ 2009>> chestnut brown Door panel trim (leather)	right rhd	1	PR:L0R, 3LM, 4E0, 9AB, 9AD
		Leather Nature D - MJ 2009>>			

Model: 9PA108 Model life 2007>>2010

Pos	Part Number	Description	Remark	Qty	Model
(1)	955 555 136 12 ZPR 955 555 136 13	chestnut brown Door panel trim (leather) Leather Nature D - MJ 2009>>	right rhd	1	PR:L0R,3LM, 4E7,9AB,9AD
1	955 555 136 13 ZPR 955 555 137 10	chestnut brown Door panel trim (leather) Leather Nature D >> - MJ 2008	left rhd	1	PR:L0R,9AH
(1)	955 555 137 10 WPH 955 555 138 10	chestnut brown Door panel trim (leather) Leather Nature D >> - MJ 2008	right rhd	1	PR:L0R,3LM, 4E0,9AH
(1)	955 555 138 10 WPH 955 555 138 11	chestnut brown Door panel trim (leather) Leather Nature D >> - MJ 2008	right rhd	1	PR:L0R,3LM, 4E7,9AH
1	955 555 138 11 WPH 955 555 137 11	chestnut brown Door panel trim (leather) Leather Nature D - MJ 2009>>	left rhd	1	PR:L0R,3LM, 9AH
(1)	955 555 137 11 ZPR 955 555 138 12	chestnut brown Door panel trim (leather) Leather Nature D - MJ 2009>>	right rhd	1	PR:L0R,3LM, 4E0,9AH
(1)	955 555 138 12 ZPR 955 555 138 13	chestnut brown Door panel trim (leather) Leather Nature D - MJ 2009>>	right rhd	1	PR:L0R,3LM, 4E7,9AH
1	955 555 138 13 ZPR 955 555 131 20	chestnut brown Door trim (Alcantara) Leather D - MJ 2008>> - MJ 2008	left lhd	1	PR:L0L,3LS, 4E0,9AB,9AD
(1)	955 555 131 20 XKU 955 555 131 20 XKV 955 555 131 20 XKW 955 555 131 20 XPV 955 555 131 21	Black Sand beige/sand beige Steel grey/steel grey Havanna/sand beige Door trim (Alcantara) Leather D - MJ 2008>> - MJ 2008	left lhd	1	PR:L0L,3LS, 4E7,9AB,9AD
(1)	955 555 131 21 XKU 955 555 131 21 XKV 955 555 131 21 XKW 955 555 131 21 XPV 955 555 132 20	Black Sand beige/sand beige Steel grey/steel grey Havanna/sand beige Door trim (Alcantara) Leather D - MJ 2008>> - MJ 2008	right lhd	1	PR:L0L,3LS, 4E0,4E7,9AB, 9AD
1	955 555 132 20 XKU 955 555 132 20 XKV 955 555 132 20 XKW 955 555 132 20 XPV 955 555 131 22	Black Sand beige/sand beige Steel grey/steel grey Havanna/sand beige Door trim (Alcantara) Leather D - MJ 2009>>	left lhd	1	PR:L0L,3LS, 4E0,9AB,9AD
	955 555 131 22 XKU 955 555 131 22 XKV	Black Sand beige/sand beige			

Model: 9PA108 Model life 2007>>2010

Pos	Part Number	Description	Remark	Qty	Model
(1)	955 555 131 22 XKW	Steel grey/steel grey			
	955 555 131 22 XPV	Havanna/sand beige			
	955 555 131 22 L0C	Black/Guards Red			
	955 555 131 23	Door trim (Alcantara) Leather D - MJ 2009>>	left lhd	1	PR:L0L,3LS, 4E7,9AB,9AD
	955 555 131 23 XKU	Black			
	955 555 131 23 XKV	Sand beige/sand beige			
	955 555 131 23 XKW	Steel grey/steel grey			
(1)	955 555 131 23 XPV	Havanna/sand beige			
	955 555 131 23 L0C	Black/Guards Red			
	955 555 132 21	Door trim (Alcantara) Leather D - MJ 2009>>	right lhd	1	PR:L0L,3LS, 4E0,4E7,9AB, 9AD
	955 555 132 21 XKU	Black			
	955 555 132 21 XKV	Sand beige/sand beige			
	955 555 132 21 XKW	Steel grey/steel grey			
	955 555 132 21 XPV	Havanna/sand beige			
1	955 555 132 21 L0C	Black/Guards Red			
	955 555 133 20	Door trim (Alcantara) Leather D - MJ 2008>> - MJ 2008	left lhd	1	PR:L0L,3LS, 4E0,9AH
	955 555 133 20 XKU	Black			
	955 555 133 20 XKV	Sand beige/sand beige			
	955 555 133 20 XKW	Steel grey/steel grey			
	955 555 133 20 XPV	Havanna/sand beige			
	955 555 133 21	Door trim (Alcantara) Leather D - MJ 2008>> - MJ 2008	left lhd	1	PR:L0L,3LS, 4E7,9AH
1	955 555 133 21 XKU	Black			
	955 555 133 21 XKV	Sand beige/sand beige			
	955 555 133 21 XKW	Steel grey/steel grey			
	955 555 133 21 XPV	Havanna/sand beige			
	955 555 134 20	Door trim (Alcantara) Leather D - MJ 2008>> - MJ 2008	right lhd	1	PR:L0L,3LS, 4E0,4E7,9AH
	955 555 134 20 XKU	Black			
	955 555 134 20 XKV	Sand beige/sand beige			
1	955 555 134 20 XKW	Steel grey/steel grey			
	955 555 134 20 XPV	Havanna/sand beige			
	955 555 133 22	Door trim (Alcantara) Leather D - MJ 2009>>	left lhd	1	PR:L0L,3LS, 4E0,9AH
	955 555 133 22 XKU	Black			
	955 555 133 22 XKV	Sand beige/sand beige			
	955 555 133 22 XKW	Steel grey/steel grey			
	955 555 133 22 XPV	Havanna/sand beige			
(1)	955 555 133 22 L0C	Black/Guards Red			
	955 555 133 23	Door trim (Alcantara) Leather D - MJ 2009>>	left lhd	1	PR:L0L,3LS, 4E7,9AH
	955 555 133 23 XKU	Black			
	955 555 133 23 XKV	Sand beige/sand beige			
	955 555 133 23 XKW	Steel grey/steel grey			
	955 555 133 23 XPV	Havanna/sand beige			
	955 555 133 23 L0C	Black/Guards Red			
(1)	955 555 134 21	Door trim (Alcantara) Leather D - MJ 2009>>	right lhd	1	PR:L0L,3LS, 4E0,4E7,9AH
	955 555 134 21 XKU	Black			
	955 555 134 21 XKV	Sand beige/sand beige			
	955 555 134 21 XKW	Steel grey/steel grey			

Model: 9PA108 Model life 2007>>2010

Pos	Part Number	Description	Remark	Qty	Model
1	955 555 134 21 XPV	Havanna/sand beige	left rhd	1	PR:L0R,3LS, 4E0,4E7,9AB, 9AD
	955 555 134 21 L0C	Black/Guards Red			
	955 555 135 20	Door trim (Alcantara) Leather			
		D - MJ 2008>> - MJ 2008			
	955 555 135 20 XKU	Black			
	955 555 135 20 XKV	Sand beige/sand beige			
	955 555 135 20 XKW	Steel grey/steel grey			
	955 555 135 20 XPV	Havanna/sand beige			
(1)	955 555 136 20	Door trim (Alcantara) Leather	right rhd	1	PR:L0R,3LS, 4E0,9AB,9AD
		D - MJ 2008>> - MJ 2008			
	955 555 136 20 XKU	Black			
	955 555 136 20 XKV	Sand beige/sand beige			
	955 555 136 20 XKW	Steel grey/steel grey			
	955 555 136 20 XPV	Havanna/sand beige			
(1)	955 555 136 21	Door trim (Alcantara) Leather	right rhd	1	PR:L0R,3LS, 4E7,9AB,9AD
		D - MJ 2008>> - MJ 2008			
	955 555 136 21 XKU	Black			
	955 555 136 21 XKV	Sand beige/sand beige			
	955 555 136 21 XKW	Steel grey/steel grey			
	955 555 136 21 XPV	Havanna/sand beige			
1	955 555 135 21	Door trim (Alcantara) Leather	left rhd	1	PR:L0R,3LS, 4E0,4E7,9AB, 9AD
		D - MJ 2009>>			
	955 555 135 21 XKU	Black			
	955 555 135 21 XKV	Sand beige/sand beige			
	955 555 135 21 XKW	Steel grey/steel grey			
	955 555 135 21 XPV	Havanna/sand beige			
	955 555 135 21 L0C	Black/Guards Red			
(1)	955 555 136 22	Door trim (Alcantara) Leather	right rhd	1	PR:L0R,3LS, 4E0,9AB,9AD
		D - MJ 2009>>			
	955 555 136 22 XKU	Black			
	955 555 136 22 XKV	Sand beige/sand beige			
	955 555 136 22 XKW	Steel grey/steel grey			
	955 555 136 22 XPV	Havanna/sand beige			
	955 555 136 22 L0C	Black/Guards Red			
(1)	955 555 136 23	Door trim (Alcantara) Leather	right rhd	1	PR:L0R,3LS, 4E7,9AB,9AD
		D - MJ 2009>>			
	955 555 136 23 XKU	Black			
	955 555 136 23 XKV	Sand beige/sand beige			
	955 555 136 23 XKW	Steel grey/steel grey			
	955 555 136 23 XPV	Havanna/sand beige			
	955 555 136 23 L0C	Black/Guards Red			
1	955 555 137 20	Door trim (Alcantara) Leather	left rhd	1	PR:L0R,3LS, 4E0,4E7,9AH
		D - MJ 2008>> - MJ 2008			
	955 555 137 20 XKU	Black			
	955 555 137 20 XKV	Sand beige/sand beige			
	955 555 137 20 XKW	Steel grey/steel grey			
	955 555 137 20 XPV	Havanna/sand beige			
(1)	955 555 138 20	Door trim (Alcantara) Leather	right rhd	1	PR:L0R,3LS, 4E0,9AH
		D - MJ 2008>> - MJ 2008			
	955 555 138 20 XKU	Black			
	955 555 138 20 XKV	Sand beige/sand beige			
	955 555 138 20 XKW	Steel grey/steel grey			
	955 555 138 20 XPV	Havanna/sand beige			

Model: 9PA108 Model life 2007>>2010

Pos	Part Number	Description	Remark	Qty	Model
(1)	955 555 138 21	Door trim (Alcantara) Leather D - MJ 2008>> - MJ 2008	right rhd	1	PR:L0R,3LS, 4E7,9AH
	955 555 138 21 XKU	Black			
	955 555 138 21 XKV	Sand beige/sand beige			
	955 555 138 21 XKW	Steel grey/steel grey			
	955 555 138 21 XPV	Havanna/sand beige			
1	955 555 137 21	Door trim (Alcantara) Leather D - MJ 2009>>	left rhd	1	PR:L0R,3LS, 4E0,4E7,9AH
	955 555 137 21 XKU	Black			
	955 555 137 21 XKV	Sand beige/sand beige			
	955 555 137 21 XKW	Steel grey/steel grey			
	955 555 137 21 XPV	Havanna/sand beige			
	955 555 137 21 L0C	Black/Guards Red			
(1)	955 555 138 22	Door trim (Alcantara) Leather D - MJ 2009>>	right rhd	1	PR:L0R,3LS, 4E0,9AH
	955 555 138 22 XKU	Black			
	955 555 138 22 XKV	Sand beige/sand beige			
	955 555 138 22 XKW	Steel grey/steel grey			
	955 555 138 22 XPV	Havanna/sand beige			
	955 555 138 22 L0C	Black/Guards Red			
(1)	955 555 138 23	Door trim (Alcantara) Leather D - MJ 2009>>	right rhd	1	PR:L0R,3LS, 4E7,9AH
	955 555 138 23 XKU	Black			
	955 555 138 23 XKV	Sand beige/sand beige			
	955 555 138 23 XKW	Steel grey/steel grey			
	955 555 138 23 XPV	Havanna/sand beige			
	955 555 138 23 L0C	Black/Guards Red			
1	955 555 131 30	Door panel trim (leather) Leather two-colour D - MJ 2009>>	left lhd	1	PR:L0L,3LT, 4E0,9AB,9AD
	955 555 131 30 ZJA	Black/Havanna			
	955 555 131 30 ZJC	Black/Steel Grey			
(1)	955 555 131 31	Door panel trim (leather) Leather two-colour D - MJ 2009>>	left lhd	1	PR:L0L,3LT, 4E7,9AB,9AD
	955 555 131 31 ZJA	Black/Havanna			
	955 555 131 31 ZJC	Black/Steel Grey			
(1)	955 555 132 30	Door panel trim (leather) Leather two-colour D - MJ 2009>>	right lhd	1	PR:L0L,3LT, 9AB,9AD
	955 555 132 30 ZJA	Black/Havanna			
	955 555 132 30 ZJC	Black/Steel Grey			
1	955 555 133 30	Door panel trim (leather) Leather two-colour D - MJ 2009>>	left lhd	1	PR:L0L,3LT, 4E0,9AH
	955 555 133 30 ZJA	Black/Havanna			
	955 555 133 30 ZJC	Black/Steel Grey			
(1)	955 555 133 31	Door panel trim (leather) Leather two-colour D - MJ 2009>>	left lhd	1	PR:L0L,3LT, 4E7,9AH
	955 555 133 31 ZJA	Black/Havanna			
	955 555 133 31 ZJC	Black/Steel Grey			
(1)	955 555 134 30	Door panel trim (leather) Leather	right lhd	1	PR:L0L,3LT, 9AH

Model: 9PA108 Model life 2007>>2010

Pos	Part Number	Description	Remark	Qty	Model
1	955 555 134 30 ZJA	two-colour D - MJ 2009>> Black/Havanna	left rhd	1	PR:L0R,3LT, 9AB,9AD
	955 555 134 30 ZJC	Black/Steel Grey			
	955 555 135 30	Door panel trim (leather) Leather			
(1)	955 555 135 30 ZJA	two-colour D - MJ 2009>> Black/Havanna	right rhd	1	PR:L0R,3LT, 4E0,9AB,9AD
	955 555 135 30 ZJC	Black/Steel Grey			
	955 555 136 30	Door panel trim (leather) Leather			
(1)	955 555 136 30 ZJA	two-colour D - MJ 2009>> Black/Havanna	right rhd	1	PR:L0R,3LT, 4E7,9AB,9AD
	955 555 136 30 ZJC	Black/Steel Grey			
	955 555 136 31	Door panel trim (leather) Leather			
1	955 555 136 31 ZJA	two-colour D - MJ 2009>> Black/Havanna	left rhd	1	PR:L0R,3LT, 9AH
	955 555 136 31 ZJC	Black/Steel Grey			
	955 555 137 30	Door panel trim (leather) Leather			
1	955 555 137 30 ZJA	two-colour D - MJ 2009>> Black/Havanna	right rhd	1	PR:L0R,3LT, 4E0,9AH
	955 555 137 30 ZJC	Black/Steel Grey			
	955 555 138 30	Door panel trim (leather) Leather			
(1)	955 555 138 30 ZJA	two-colour D - MJ 2009>> Black/Havanna	right rhd	1	PR:L0R,3LT, 4E7,9AH
	955 555 138 30 ZJC	Black/Steel Grey			
	955 555 138 31	Door panel trim (leather) Leather			
2	955 555 138 31 ZJA	two-colour D - MJ 2009>> Black/Havanna		6	
	955 555 138 31 ZJC	Black/Steel Grey			
	955 555 243 00	Retaining clip			
3	N 103 346 04	door panel Hexagon socket oval head bolt (combi) M 6 X 20 Mount		4	
4	N 907 397 04	door panel panel screw 5 X 22 Mount	lower	2	
5	955 555 885 01	door panel Ventilation grille	left side	1	PR:9AB,9AD
	955 555 885 01 9B9	Satin black			
(5)	955 555 886 01	door panel Ventilation grille	right side	1	PR:9AB,9AD
6	955 555 886 01 9B9	Satin black			
	955 555 463 00	Air guide channel	left	1	PR:9AB,9AD
(6)	955 555 464 00	Air guide channel	right	1	PR:9AB,9AD
7	N 903 474 06	Bolt with washer 4,0 X 12 Mount		X	

Model: 9PA108 Model life 2007>>2010

Pos	Part Number	Description	Remark	Qty	Model
8	955 555 229 00	Air duct			
	955 555 229 00 A08	Armrest for door panel	left lhd	1	PR:L0L,3LD
	955 555 229 00 T25	Black			
	955 555 229 00 6E1	Sand beige			
(8)	955 555 229 00 6E1	steel grey			
	955 555 230 00	Armrest for door panel	right lhd	1	PR:L0L,3LD
	955 555 230 00 A08	Black			
	955 555 230 00 T25	Sand beige			
	955 555 230 00 6E1	steel grey			
8	955 555 231 00	Armrest for door panel	left rhd	1	PR:L0R,3LD
	955 555 231 00 A08	Black			
	955 555 231 00 T25	Sand beige			
	955 555 231 00 6E1	steel grey			
(8)	955 555 232 00	Armrest for door panel	right rhd	1	PR:L0R,3LD
	955 555 232 00 A08	Black			
	955 555 232 00 T25	Sand beige			
	955 555 232 00 6E1	steel grey			
8	955 555 233 00	armrest (leather)	left lhd	1	PR:L0L,3LH, 3LS,3LT
	955 555 233 00 6B7	steel grey			
	955 555 233 00 8G1	Sand beige			
	955 555 233 00 8YR	Black			
(8)	955 555 234 00	armrest (leather)	right lhd	1	PR:L0L,3LH, 3LS,3LT
	955 555 234 00 6B7	steel grey			
	955 555 234 00 8G1	Sand beige			
	955 555 234 00 8YR	Black			
8	955 555 235 00	armrest (leather)	left rhd	1	PR:L0R,3LH, 3LS,3LT
	955 555 235 00 6B7	steel grey			
	955 555 235 00 8G1	Sand beige			
	955 555 235 00 8YR	Black			
(8)	955 555 236 00	armrest (leather)	right rhd	1	PR:L0R,3LH, 3LS,3LT
	955 555 236 00 6B7	steel grey			
	955 555 236 00 8G1	Sand beige			
	955 555 236 00 8YR	Black			
8	955 555 233 10	armrest (leather)	left lhd	1	PR:L0L,3LM
		Leather			
		Nature			
	955 555 233 10 J69	chestnut brown			
(8)	955 555 234 10	armrest (leather)	right lhd	1	PR:L0L,3LM
		Leather			
		Nature			
	955 555 234 10 J69	chestnut brown			
8	955 555 235 10	armrest (leather)	left rhd	1	PR:L0R,3LM
		Leather			
		Nature			
	955 555 235 10 J69	chestnut brown			
(8)	955 555 236 10	armrest (leather)	right rhd	1	PR:L0R,3LM
		Leather			
		Nature			
	955 555 236 10 J69	chestnut brown			
9	955 555 225 10	Cover panel	left	1	PR:3LM
		Armrest			
	955 555 225 10 J69	chestnut brown			
9	955 555 226 10	Cover panel	left	1	PR:3LM
		Armrest			
	955 555 226 10 J69	chestnut brown			
9	955 555 227 00	Cover panel	left	1	PR:3LD,3LH, 3LS,3LT
		Armrest			
	955 555 227 00 5Q2	Black			
	955 555 227 00 5R3	steel grey			

Model: 9PA108 Model life 2007>>2010

Pos	Part Number	Description	Remark	Qty	Model
(9)	955 555 227 00 5S4	Sand beige			
	955 555 228 00	Cover panel	right	1	PR: 3LD, 3LH, 3LS, 3LT
		Armrest			
	955 555 228 00 5Q2	Black			
	955 555 228 00 5R3	steel grey			
10	955 555 228 00 5S4	Sand beige			
	955 555 259 00	Pull handle	left	1	PR: 3LH, 3LT
		Leather			
	955 555 259 00 6B7	steel grey			
	955 555 259 00 8G1	Sand beige			
	955 555 259 00 8YR	Black			
(10)	955 555 260 00	Pull handle	right	1	PR: 3LH, 3LT
		Leather			
	955 555 260 00 6B7	steel grey			
	955 555 260 00 8G1	Sand beige			
	955 555 260 00 8YR	Black			
10	955 555 259 10	Pull handle	left	1	PR: 3LM
		Leather			
		Nature			
	955 555 259 10 J69	chestnut brown			
(10)	955 555 260 10	Pull handle	right	1	PR: 3LM
		Leather			
		Nature			
	955 555 260 10 J69	chestnut brown			
10	955 555 261 00	Pull handle	left	1	PR: 3LD
	955 555 261 00 A08	Black			
	955 555 261 00 T25	Sand beige			
	955 555 261 00 6E1	steel grey			
(10)	955 555 262 00	Pull handle	right	1	PR: 3LD
	955 555 262 00 A08	Black			
	955 555 262 00 T25	Sand beige			
	955 555 262 00 6E1	steel grey			
10	955 555 263 00	Pull handle	left	1	PR: 3LS
		Alcantara			
		D - MJ 2008>> - MJ 2008			
	955 555 263 00 6B7	steel grey			
	955 555 263 00 8G1	Sand beige			
	955 555 263 00 8YR	Black			
(10)	955 555 264 00	Pull handle	right	1	PR: 3LS
		Alcantara			
		D - MJ 2008>> - MJ 2008			
	955 555 264 00 6B7	steel grey			
	955 555 264 00 8G1	Sand beige			
	955 555 264 00 8YR	Black			
11	955 555 537 00	Cover panel	left	1	PR: 3LD
		Pull handle			
	955 555 537 00 A08	Black			
	955 555 537 00 T25	Sand beige			
	955 555 537 00 6E1	steel grey			
(11)	955 555 538 00	Cover panel	right	1	PR: 3LD
		Pull handle			
	955 555 538 00 A08	Black			
	955 555 538 00 T25	Sand beige			
	955 555 538 00 6E1	steel grey			
11	955 555 539 01	Cover panel	left	1	PR: 3LH, 3LS, 3LT
		Pull handle			
		Leather			
	955 555 539 01 6B7	steel grey			
	955 555 539 01 8G1	Sand beige			
	955 555 539 01 8YR	Black			
(11)	955 555 540 01	Cover panel	right	1	PR: 3LH, 3LS, 3LT
		Pull handle			
		Leather			

Model: 9PA108 Model life 2007>>2010

Pos	Part Number	Description	Remark	Qty	Model
11	955 555 540 01 6B7	steel grey	left	1	PR:3LM
	955 555 540 01 8G1	Sand beige			
	955 555 540 01 8YR	Black			
	955 555 539 10	Cover panel Pull handle Leather Nature			
(11)	955 555 539 10 J69	chestnut brown	right	1	PR:3LM
	955 555 540 10	Cover panel Pull handle Leather Nature			
12	955 555 540 10 J69	chestnut brown	left	1	PR:5MA
	955 555 087 00	molding for door trim panel Long plastic Lacquered			
12	955 555 087 00 5X2	Silver mat chrome	left	1	PR:5MA,6FA
	955 555 087 00	molding for door trim panel Long plastic Lacquered			
12	955 555 087 00 5X2	Silver mat chrome	left	1	PR:E2D,5MA, 6FI
	955 555 087 00	molding for door trim panel Long plastic Lacquered			
(12)	955 555 087 00 8C6	orange	right	1	PR:5MA
	955 555 088 00	molding for door trim panel Long plastic Lacquered			
(12)	955 555 088 00 5X2	Silver mat chrome	right	1	PR:5MA,6FA
	955 555 088 00	molding for door trim panel Long plastic Lacquered			
(12)	955 555 088 00 5X2	Silver mat chrome	right	1	PR:E2D,5MA, 6FI
	955 555 088 00	molding for door trim panel Long plastic Lacquered			
12	955 555 088 00 8C6	orange	left	1	PR:5TE
	955 555 089 00	molding for door trim panel Long			
(12)	955 555 089 00 62W	Satin aluminium Matte	right	1	PR:5TE
	955 555 090 00	molding for door trim panel Long			
12	955 555 090 00 62W	Satin aluminium Matte	left	1	PR:5MG
	955 555 091 00	molding for door trim panel			

Model: 9PA108 Model life 2007>>2010

Pos	Part Number	Description	Remark	Qty	Model
12	955 555 091 00 4X2 955 555 091 01	Long Rootwood molding for door trim panel	left	1	PR:5MG
(12)	955 555 091 01 4X2 955 555 092 00	Long Rootwood molding for door trim panel	right	1	PR:5MG
(12)	955 555 092 00 4X2 955 555 092 01	Long Rootwood molding for door trim panel	right	1	PR:5MG
12	955 555 092 01 4X2 955 555 093 00	Long Rootwood molding for door trim panel	left	1	PR:5TF
12	955 555 093 00 4V8 955 555 093 01	Long High-gloss olive ash burl molding for door trim panel	left	1	PR:5TF
(12)	955 555 093 01 4V8 955 555 094 00	Long High-gloss olive ash burl molding for door trim panel	right	1	PR:5TF
(12)	955 555 094 00 4V8 955 555 094 01	Long High-gloss olive ash burl molding for door trim panel	right	1	PR:5TF
12	955 555 094 01 4V8 955 555 063 00	Long High-gloss olive ash burl molding for door trim panel	left	1	PR:5TK
(12)	955 555 063 00 9Z4 955 555 064 00	Long Super-matt olive ash burl molding for door trim panel	right	1	PR:5TK
12	955 555 064 00 9Z4 955 555 063 02	Long Super-matt olive ash burl molding for door trim panel	left	1	PR:5MH
(12)	955 555 063 02 CS3 955 555 064 02	Long Carbon Black molding for door trim panel	right	1	PR:5MH
13	955 555 064 02 CS3 955 555 095 00	Long Carbon Black molding for door trim panel	left	1	PR:5MA
13	955 555 095 00 5X2 955 555 095 00	Short plastic Lacquered Silver mat chrome molding for door trim panel	left	1	PR:5MA,6FA
13	955 555 095 00 5X2 955 555 095 00	Short plastic Lacquered Silver mat chrome molding for door trim panel	left	1	PR:E2D,5MA, 6FI

Model: 9PA108 Model life 2007>>2010

Pos	Part Number	Description	Remark	Qty	Model
(13)	955 555 095 00 8C6 955 555 096 00	Short plastic Lacquered orange molding for door trim panel	right	1	PR:5MA
(13)	955 555 096 00 5X2 955 555 096 00	Short plastic Lacquered Silver mat chrome molding for door trim panel	right	1	PR:5MA,6FA
(13)	955 555 096 00 5X2 955 555 096 00	Short plastic Lacquered Silver mat chrome molding for door trim panel	right	1	PR:E2D,5MA, 6FI
13	955 555 096 00 8C6 955 555 097 00	Short plastic Lacquered orange molding for door trim panel	left	1	PR:5TE
(13)	955 555 097 00 62W 955 555 098 00	Short Matte Satin aluminium molding for door trim panel	right	1	PR:5TE
13	955 555 098 00 62W 955 555 099 00	Short Matte Satin aluminium molding for door trim panel	left	1	PR:5MG
13	955 555 099 00 4X2 955 555 099 01	Short Rootwood molding for door trim panel	left	1	PR:5MG
(13)	955 555 099 01 4X2 955 555 100 00	Short Rootwood molding for door trim panel	right	1	PR:5MG
(13)	955 555 100 00 4X2 955 555 100 01	Short Rootwood molding for door trim panel	right	1	PR:5MG
13	955 555 100 01 4X2 955 555 101 01	Short Wood molding for door trim panel	left	1	PR:5TF
(13)	955 555 101 01 4V8 955 555 102 01	Short Wood High-gloss olive ash burl molding for door trim panel	right	1	PR:5TF
13	955 555 102 01 4V8 955 555 203 00	Short Wood High-gloss olive ash burl molding for door trim panel	left	1	PR:5TK
	955 555 203 00 9Z4	Short Super-matt olive ash burl			

Model: 9PA108

Model life 2007>>2010

Pos	Part Number	Description	Remark	Qty	Model
(13)	955 555 204 00	molding for door trim panel Short	right	1	PR:5TK
13	955 555 204 00 9Z4 955 555 203 02	Super-matt olive ash burl molding for door trim panel Short Carbon	left	1	PR:5MH
(13)	955 555 203 02 CS3 955 555 204 02	Black molding for door trim panel Short Carbon	right	1	PR:5MH
14	955 555 204 02 CS3 955 555 113 00	Black Inner actuator (complete)	left	1	
	955 555 113 00 A03 955 555 113 00 5V7 955 555 113 00 5Y9 955 555 113 00 5Z1	Black Stone grey Havanna Sand beige			
(14)	955 555 114 00	Inner actuator (complete)	right	1	
	955 555 114 00 A03 955 555 114 00 5V7 955 555 114 00 5Y9 955 555 114 00 5Z1	Black Stone grey Havanna Sand beige			
(15)	955 555 103 03	Cover Mirror switch	left lhd	1	PR:L0L
(15)	955 555 103 03 6N3 955 555 104 03	Matt black Cover Mirror switch	right lhd	1	PR:L0L
(15)	955 555 104 03 6N3 955 555 105 03	Matt black Cover Mirror switch	left rhd	1	PR:L0R
(15)	955 555 105 03 6N3 955 555 106 03	Matt black Cover Mirror switch	right rhd	1	PR:L0R
16	955 555 106 03 6N3	Matt black			
17	955 556 821 01	sound absorber for door		2	
(17)	955 556 879 01	sound absorber for door	left	1	
18	955 556 880 01	sound absorber for door	right	1	
18	N 105 168 01	expanding nut		2	
19	955 555 033 00	door panel Retaining clip		5	
20	955 645 511 00	Trim inscription Bose		1	PR:9VL
21	N 907 468 01	Clip		7	
22	955 555 059 00	Clip		6	PR:3LD
23		Light Door		X	PR:9MB
24	955 555 271 00	see illustration: seal ring 3,5 X 80 for Ventilation grille	903-004	1	PR:9AB,9AD
24	955 555 271 01	seal ring 4,5 X 80 for Ventilation grille		1	PR:9AB,9AD
25	N 906 487 02	Service solution Oval hexagon socket head bolt 4,8 X 16		11	

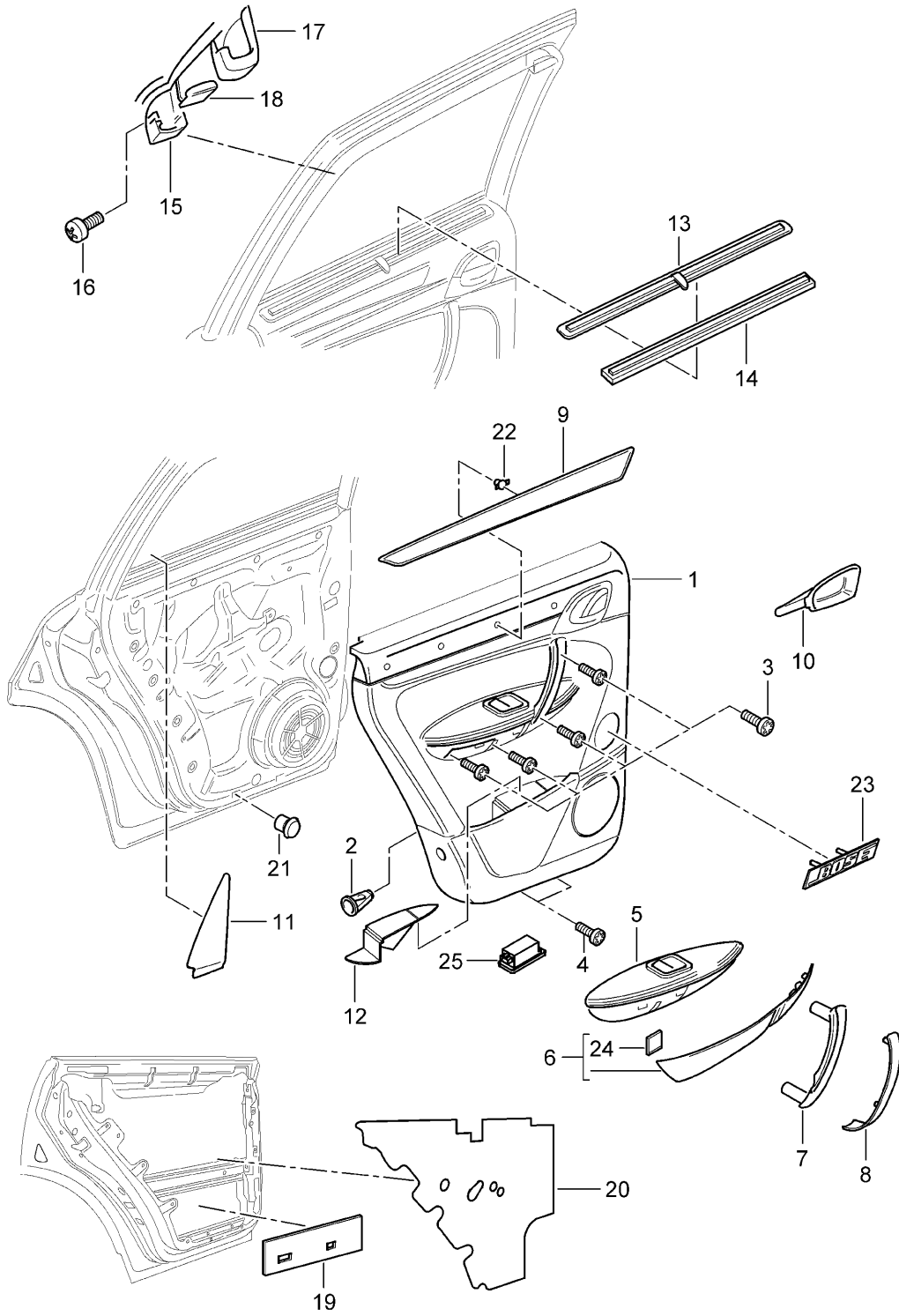
Model: 9PA108

Model life 2007>>2010

Pos	Part Number	Description	Remark	Qty	Model
26	955 533 837 00	for Mount Armrest Grommet Mount Cover Mirror switch		1	

Model: 9PA108

Model life 2007>>2010



Model: 9PA108 Model life 2007>>2010

Pos	Part Number	Description	Remark	Qty	Model
1	955 555 141 04	door panel with: Damping Door trim (leatherette)	rear left	1	PR:3LD,3Y0, 9JA
	955 555 141 04 PBJ	Black			
	955 555 141 04 PBK	Stone grey/steel grey			
	955 555 141 04 PBL	Havanna/sand beige			
(1)	955 555 142 04	Door trim (leatherette)	right	1	PR:3LD,3Y0, 9JA
	955 555 142 04 PBJ	Black			
	955 555 142 04 PBK	Stone grey/steel grey			
	955 555 142 04 PBL	Havanna/sand beige			
1	955 555 143 04	Door trim (leatherette)	left	1	PR:3LD,3Y4, 9JA
	955 555 143 04 PBJ	Black			
	955 555 143 04 PBK	Stone grey/steel grey			
	955 555 143 04 PBL	Havanna/sand beige			
(1)	955 555 144 04	Door trim (leatherette)	right	1	PR:3LD,3Y4, 9JA
	955 555 144 04 PBJ	Black			
	955 555 144 04 PBK	Stone grey/steel grey			
	955 555 144 04 PBL	Havanna/sand beige			
1	955 555 145 04	Door trim (leatherette)	left	1	PR:3LD,3Y0, 9JB
	955 555 145 04 PBJ	Black			
	955 555 145 04 PBK	Stone grey/steel grey			
	955 555 145 04 PBL	Havanna/sand beige			
(1)	955 555 146 04	Door trim (leatherette)	right	1	PR:3LD,3Y0, 9JB
	955 555 146 04 PBJ	Black			
	955 555 146 04 PBK	Stone grey/steel grey			
	955 555 146 04 PBL	Havanna/sand beige			
1	955 555 147 04	Door trim (leatherette)	left	1	PR:3LD,3Y4, 9JB
	955 555 147 04 PBJ	Black			
	955 555 147 04 PBK	Stone grey/steel grey			
	955 555 147 04 PBL	Havanna/sand beige			
(1)	955 555 148 04	Door trim (leatherette)	right	1	PR:3LD,3Y4, 9JB
	955 555 148 04 PBJ	Black			
	955 555 148 04 PBK	Stone grey/steel grey			
	955 555 148 04 PBL	Havanna/sand beige			
1	955 555 151 11	Door panel trim (leather) Leather Nature D >> - MJ 2008	left	1	PR:3LM,3Y0, 9JA
(1)	955 555 151 11 WPH	chestnut brown			
	955 555 152 11	Door panel trim (leather) Leather Nature D >> - MJ 2008	right	1	PR:3LM,3Y0, 9JA
	955 555 152 11 WPH	chestnut brown			
1	955 555 151 12	Door panel trim (leather) Leather Nature D - MJ 2009>>	left	1	PR:3LM,3Y0, 9JA
(1)	955 555 151 12 ZPR	chestnut brown			
	955 555 152 12	Door panel trim (leather) Leather Nature D - MJ 2009>>	right	1	PR:3LM,3Y0, 9JA
	955 555 152 12 ZPR	chestnut brown			

Model: 9PA108 Model life 2007>>2010

Pos	Part Number	Description	Remark	Qty	Model
1	955 555 153 11	Door panel trim (leather) Leather Nature D >> - MJ 2008	left	1	PR:3LM,3Y4, 9JA
(1)	955 555 153 11 WPH 955 555 154 11	chestnut brown Door panel trim (leather) Leather Nature D >> - MJ 2008	right	1	PR:3LM,3Y4, 9JA
1	955 555 154 11 WPH 955 555 153 12	chestnut brown Door panel trim (leather) Leather Nature D - MJ 2009>>	left	1	PR:3LM,3Y4, 9JA
1	955 555 153 12 ZPR 955 555 154 12	chestnut brown Door panel trim (leather) Leather Nature D - MJ 2009>>	right	1	PR:3LM,3Y4, 9JA
1	955 555 154 12 ZPR 955 555 155 11	chestnut brown Door panel trim (leather) Leather Nature D >> - MJ 2008	left	1	PR:3LM,3Y0, 9JB
(1)	955 555 155 11 WPH 955 555 156 11	chestnut brown Door panel trim (leather) Leather Nature D >> - MJ 2008	right	1	PR:3LM,3Y0, 9JB
1	955 555 156 11 WPH 955 555 155 12	chestnut brown Door panel trim (leather) Leather Nature D - MJ 2009>>	left	1	PR:3LM,3Y0, 9JB
(1)	955 555 155 12 ZPR 955 555 156 12	chestnut brown Door panel trim (leather) Leather Nature D - MJ 2009>>	right	1	PR:3LM,3Y0, 9JB
1	955 555 156 12 ZPR 955 555 159 11	chestnut brown Door panel trim (leather) Leather Nature D >> - MJ 2008	left	1	PR:3LM,3Y4, 9JB
(1)	955 555 159 11 WPH 955 555 160 11	chestnut brown Door panel trim (leather) Leather Nature D >> - MJ 2008	right	1	PR:3LM,3Y4, 9JB
1	955 555 160 11 WPH 955 555 159 12	chestnut brown Door panel trim (leather) Leather Nature D - MJ 2009>>	left	1	PR:3LM,3Y4, 9JB
1	955 555 159 12 ZPR 955 555 160 12	chestnut brown Door panel trim (leather) Leather Nature D - MJ 2009>>	right	1	PR:3LM,3Y4, 9JB
1	955 555 160 12 ZPR 955 555 163 05	chestnut brown Door panel trim (leather) Leather Nature D >> - MJ 2008	left	1	PR:3LH,3Y0, 9JA

Model: 9PA108 Model life 2007>>2010

Pos	Part Number	Description	Remark	Qty	Model
(1)	955 555 163 05 PBS	Black			
	955 555 163 05 PBT	Stone grey/steel grey			
	955 555 163 05 PBU	Havanna/sand beige			
	955 555 163 05 RKR	Sand beige/sand beige			
	955 555 164 05	Door panel trim (leather)	right	1	PR:3LH,3Y0,9JA
		D >> - MJ 2008			
1	955 555 164 05 PBS	Black			
	955 555 164 05 PBT	Stone grey/steel grey			
	955 555 164 05 PBU	Havanna/sand beige			
	955 555 164 05 RKR	Sand beige/sand beige			
	955 555 163 06	Door panel trim (leather)	left	1	PR:3LH,3Y0,9JA
		D - MJ 2009>>			
(1)	955 555 163 06 ZPT	Black			
	955 555 163 06 ZPU	Stone grey/steel grey			
	955 555 163 06 ZPV	Havanna/sand beige			
	955 555 163 06 ZPW	Sand beige/sand beige			
	955 555 164 06	Door panel trim (leather)	right	1	PR:3LH,3Y0,9JA
		D - MJ 2009>>			
1	955 555 164 06 ZPT	Black			
	955 555 164 06 ZPU	Stone grey/steel grey			
	955 555 164 06 ZPV	Havanna/sand beige			
	955 555 164 06 ZPW	Sand beige/sand beige			
	955 555 167 04	Door panel trim (leather)	left	1	PR:3LH,3Y4,9JA
		D >> - MJ 2008			
(1)	955 555 167 04 PBS	Black			
	955 555 167 04 PBT	Stone grey/steel grey			
	955 555 167 04 PBU	Havanna/sand beige			
	955 555 167 04 RKR	Sand beige/sand beige			
	955 555 168 04	Door panel trim (leather)	right	1	PR:3LH,3Y4,9JA
		D >> - MJ 2008			
1	955 555 168 04 PBS	Black			
	955 555 168 04 PBT	Stone grey/steel grey			
	955 555 168 04 PBU	Havanna/sand beige			
	955 555 168 04 RKR	Sand beige/sand beige			
	955 555 167 05	Door panel trim (leather)	left	1	PR:3LH,3Y4,9JA
		D - MJ 2009>>			
(1)	955 555 167 05 ZPT	Black			
	955 555 167 05 ZPU	Stone grey/steel grey			
	955 555 167 05 ZPV	Havanna/sand beige			
	955 555 167 05 ZPW	Sand beige/sand beige			
	955 555 168 05	Door panel trim (leather)	right	1	PR:3LH,3Y4,9JA
		D - MJ 2009>>			
1	955 555 168 05 ZPT	Black			
	955 555 168 05 ZPU	Stone grey/steel grey			
	955 555 168 05 ZPV	Havanna/sand beige			
	955 555 168 05 ZPW	Sand beige/sand beige			
	955 555 169 05	Door panel trim (leather)	left	1	PR:3LH,3Y0,9JB
		D >> - MJ 2008			
(1)	955 555 169 05 PBS	Black			
	955 555 169 05 PBT	Stone grey/steel grey			
	955 555 169 05 PBU	Havanna/sand beige			
	955 555 169 05 RKR	Sand beige/sand beige			
	955 555 170 05	Door panel trim (leather)	right	1	PR:3LH,3Y0,9JB
		D >> - MJ 2008			

Model: 9PA108 Model life 2007>>2010

Pos	Part Number	Description	Remark	Qty	Model
1	955 555 170 05 PBS	Black	left	1	PR:3LH,3Y0,9JB
	955 555 170 05 PBT	Stone grey/steel grey			
	955 555 170 05 PBU	Havanna/sand beige			
	955 555 170 05 RKR	Sand beige/sand beige			
	955 555 169 06	Door panel trim (leather)			
		D - MJ 2009>>			
(1)	955 555 169 06 ZPT	Black	right	1	PR:3LH,3Y0,9JB
	955 555 169 06 ZPU	Stone grey/steel grey			
	955 555 169 06 ZPV	Havanna/sand beige			
	955 555 169 06 ZPW	Sand beige/sand beige			
	955 555 170 06	Door panel trim (leather)			
		D - MJ 2009>>			
1	955 555 170 06 ZPT	Black	left	1	PR:3LH,3Y4,9JB
	955 555 170 06 ZPU	Stone grey/steel grey			
	955 555 170 06 ZPV	Havanna/sand beige			
	955 555 170 06 ZPW	Sand beige/sand beige			
	955 555 171 04	Door panel trim (leather)			
		D >> - MJ 2008			
(1)	955 555 171 04 PBS	Black	right	1	PR:3LH,3Y4,9JB
	955 555 171 04 PBT	Stone grey/steel grey			
	955 555 171 04 PBU	Havanna/sand beige			
	955 555 171 04 RKR	Sand beige/sand beige			
	955 555 172 04	Door panel trim (leather)			
		D >> - MJ 2008			
1	955 555 172 04 PBS	Black	left	1	PR:3LH,3Y4,9JB
	955 555 172 04 PBT	Stone grey/steel grey			
	955 555 172 04 PBU	Havanna/sand beige			
	955 555 172 04 RKR	Sand beige/sand beige			
	955 555 171 05	Door panel trim (leather)			
		D - MJ 2009>>			
(1)	955 555 171 05 ZPT	Black	right	1	PR:3LH,3Y4,9JB
	955 555 171 05 ZPU	Stone grey/steel grey			
	955 555 171 05 ZPV	Havanna/sand beige			
	955 555 171 05 ZPW	Sand beige/sand beige			
	955 555 172 05	Door panel trim (leather)			
		D - MJ 2009>>			
(1)	955 555 172 05 ZPT	Black	left	1	PR:3LS,3Y0,9JA
	955 555 172 05 ZPU	Stone grey/steel grey			
	955 555 172 05 ZPV	Havanna/sand beige			
	955 555 172 05 ZPW	Sand beige/sand beige			
	955 555 163 10	Door trim (Alcantara) Leather			
		D - MJ 2008>> - MJ 2008			
(1)	955 555 163 10 XKU	Black	right	1	PR:3LS,3Y0,9JA
	955 555 163 10 XKV	Sand beige/sand beige			
	955 555 163 10 XKW	Steel grey/steel grey			
	955 555 163 10 XPV	Havanna/sand beige			
	955 555 164 10	Door trim (Alcantara) Leather			
		D - MJ 2008>> - MJ 2008			
1	955 555 164 10 XKU	Black	left	1	PR:3LS,3Y0,9JA
	955 555 164 10 XKV	Sand beige/sand beige			
	955 555 164 10 XKW	Steel grey/steel grey			
	955 555 164 10 XPV	Havanna/sand beige			
	955 555 163 11	Door trim (Alcantara) Leather			
		D - MJ 2009>>			

Model: 9PA108 Model life 2007>>2010

Pos	Part Number	Description	Remark	Qty	Model
	955 555 163 11 XKU	Black			
	955 555 163 11 XKV	Sand beige/sand beige			
	955 555 163 11 XKW	Steel grey/steel grey			
	955 555 163 11 XPV	Havanna/sand beige			
	955 555 163 11 LOC	Black/Guards Red			
(1)	955 555 164 11	Door trim (Alcantara) Leather D - MJ 2009>>	right	1	PR:3LS,3Y0, 9JA
	955 555 164 11 XKU	Black			
	955 555 164 11 XKV	Sand beige/sand beige			
	955 555 164 11 XKW	Steel grey/steel grey			
	955 555 164 11 XPV	Havanna/sand beige			
	955 555 164 11 LOC	Black/Guards Red			
(1)	955 555 167 10	Door trim (Alcantara) Leather D - MJ 2008>> - MJ 2008	left	1	PR:3LS,3Y4, 9JA
	955 555 167 10 XKU	Black			
	955 555 167 10 XKV	Sand beige/sand beige			
	955 555 167 10 XKW	Steel grey/steel grey			
	955 555 167 10 XPV	Havanna/sand beige			
(1)	955 555 168 10	Door trim (Alcantara) Leather D - MJ 2008>> - MJ 2008	right	1	PR:3LS,3Y4, 9JA
	955 555 168 10 XKU	Black			
	955 555 168 10 XKV	Sand beige/sand beige			
	955 555 168 10 XKW	Steel grey/steel grey			
	955 555 168 10 XPV	Havanna/sand beige			
1	955 555 167 11	Door trim (Alcantara) Leather D - MJ 2009>>	left	1	PR:3LS,3Y4, 9JA
	955 555 167 11 XKU	Black			
	955 555 167 11 XKV	Sand beige/sand beige			
	955 555 167 11 XKW	Steel grey/steel grey			
	955 555 167 11 XPV	Havanna/sand beige			
	955 555 167 11 LOC	Black/Guards Red			
(1)	955 555 168 11	Door trim (Alcantara) Leather D - MJ 2009>>	right	1	PR:3LS,3Y4, 9JA
	955 555 168 11 XKU	Black			
	955 555 168 11 XKV	Sand beige/sand beige			
	955 555 168 11 XKW	Steel grey/steel grey			
	955 555 168 11 XPV	Havanna/sand beige			
	955 555 168 11 LOC	Black/Guards Red			
(1)	955 555 169 10	Door trim (Alcantara) Leather D - MJ 2008>> - MJ 2008	left	1	PR:3LS,3Y0, 9JB
	955 555 169 10 XKU	Black			
	955 555 169 10 XKV	Sand beige/sand beige			
	955 555 169 10 XKW	Steel grey/steel grey			
	955 555 169 10 XPV	Havanna/sand beige			
(1)	955 555 170 10	Door trim (Alcantara) Leather D - MJ 2008>> - MJ 2008	right	1	PR:3LS,3Y0, 9JB
	955 555 170 10 XKU	Black			
	955 555 170 10 XKV	Sand beige/sand beige			
	955 555 170 10 XKW	Steel grey/steel grey			
	955 555 170 10 XPV	Havanna/sand beige			
1	955 555 169 11	Door trim (Alcantara) Leather D - MJ 2009>>	left	1	PR:3LS,3Y0, 9JB
	955 555 169 11 XKU	Black			
	955 555 169 11 XKV	Sand beige/sand beige			
	955 555 169 11 XKW	Steel grey/steel grey			

Model: 9PA108 Model life 2007>>2010

Pos	Part Number	Description	Remark	Qty	Model
(1)	955 555 169 11 XPV	Havanna/sand beige	right	1	PR:3LS,3Y0, 9JB
	955 555 169 11 LOC	Black/Guards Red			
	955 555 170 11	Door trim (Alcantara) Leather D - MJ 2009>>			
	955 555 170 11 XKU	Black			
	955 555 170 11 XKV	Sand beige/sand beige			
	955 555 170 11 XKW	Steel grey/steel grey			
	955 555 170 11 XPV	Havanna/sand beige			
(1)	955 555 170 11 LOC	Black/Guards Red	left	1	PR:3LS,3Y4, 9JB
	955 555 171 10	Door trim (Alcantara) Leather D - MJ 2008>> - MJ 2008			
	955 555 171 10 XKU	Black			
	955 555 171 10 XKV	Sand beige/sand beige			
	955 555 171 10 XKW	Steel grey/steel grey			
	955 555 171 10 XPV	Havanna/sand beige			
	955 555 172 10	Door trim (Alcantara) Leather D - MJ 2008>> - MJ 2008			
(1)	955 555 172 10 XKU	Black	right	1	PR:3LS,3Y4, 9JB
	955 555 172 10 XKV	Sand beige/sand beige			
	955 555 172 10 XKW	Steel grey/steel grey			
	955 555 172 10 XPV	Havanna/sand beige			
	955 555 172 10	Door trim (Alcantara) Leather D - MJ 2008>> - MJ 2008			
	955 555 172 10 XKU	Black			
	955 555 172 10 XKV	Sand beige/sand beige			
1	955 555 172 10 XKW	Steel grey/steel grey	left	1	PR:3LS,3Y4, 9JB
	955 555 172 10 XPV	Havanna/sand beige			
	955 555 171 11	Door trim (Alcantara) Leather D - MJ 2009>>			
	955 555 171 11 XKU	Black			
	955 555 171 11 XKV	Sand beige/sand beige			
	955 555 171 11 XKW	Steel grey/steel grey			
	955 555 171 11 XPV	Havanna/sand beige			
(1)	955 555 171 11 LOC	Black/Guards Red	right	1	PR:3LS,3Y4, 9JB
	955 555 172 11	Door trim (Alcantara) Leather D - MJ 2009>>			
	955 555 172 11 XKU	Black			
	955 555 172 11 XKV	Sand beige/sand beige			
	955 555 172 11 XKW	Steel grey/steel grey			
	955 555 172 11 XPV	Havanna/sand beige			
	955 555 172 11 LOC	Black/Guards Red			
(1)	955 555 163 20	door panel Leather two-colour D - MJ 2009>>	left	1	PR:3LT,3Y0, 9JA
	955 555 163 20 ZJA	Black/Havanna			
	955 555 163 20 ZJC	Black/Steel Grey			
	955 555 164 20	door panel Leather two-colour D - MJ 2009>>			
	955 555 164 20 ZJA	Black/Havanna			
	955 555 164 20 ZJC	Black/Steel Grey			
	955 555 167 20	door panel Leather two-colour D - MJ 2009>>			
(1)	955 555 167 20 ZJA	Black/Havanna	left	1	PR:3LT,3Y4, 9JA
	955 555 167 20 ZJC	Black/Steel Grey			
	955 555 168 20	door panel Leather two-colour D - MJ 2009>>			
	955 555 168 20 ZJA	Black/Havanna			
	955 555 168 20 ZJC	Black/Steel Grey			
	955 555 168 20	door panel Leather two-colour D - MJ 2009>>			
	955 555 168 20 ZJA	Black/Havanna			
(1)	955 555 168 20 ZJC	Black/Steel Grey	right	1	PR:3LT,3Y4, 9JA
	955 555 168 20	door panel Leather two-colour D - MJ 2009>>			
	955 555 168 20 ZJA	Black/Havanna			

Model: 9PA108

Model life 2007>>2010

Pos	Part Number	Description	Remark	Qty	Model
(1)	955 555 168 20 ZJC 955 555 169 20	Black/Steel Grey door panel Leather two-colour D - MJ 2009>>	left	1	PR: 3LT, 3Y0, 9JB
(1)	955 555 169 20 ZJA 955 555 169 20 ZJC 955 555 170 20	Black/Havanna Black/Steel Grey door panel Leather two-colour D - MJ 2009>>	right	1	PR: 3LT, 3Y0, 9JB
(1)	955 555 170 20 ZJA 955 555 170 20 ZJC 955 555 171 20	Black/Havanna Black/Steel Grey door panel Leather two-colour D - MJ 2009>>	left	1	PR: 3LT, 3Y4, 9JB
(1)	955 555 171 20 ZJA 955 555 171 20 ZJC 955 555 172 20	Black/Havanna Black/Steel Grey door panel Leather two-colour D - MJ 2009>>	right	1	PR: 3LT, 3Y4, 9JB
2	955 555 172 20 ZJA 955 555 172 20 ZJC 955 555 243 00	Black/Havanna Black/Steel Grey Retaining clip door panel		7	
3	N 103 346 04	Hexagon socket oval head bolt (combi) M 6 X 20 Mount door panel		4	
4	N 907 397 04	panel screw M 5 X 22 Mount door panel	lower	2	
5	955 555 173 00 955 555 173 00 A08 955 555 173 00 T25 955 555 173 00 6E1	Armrest for door panel Black Sand beige steel grey	left	1	PR: 3LD
(5)	955 555 174 00 955 555 174 00 A08 955 555 174 00 T25 955 555 174 00 6E1	Armrest for door panel Black Sand beige steel grey	right	1	PR: 3LD
5	955 555 175 00 955 555 175 00 6B7 955 555 175 00 8G1 955 555 175 00 8YR	Armrest for door panel Leather steel grey Sand beige Black	left	1	PR: 3LH, 3LS, 3LT
(5)	955 555 176 00 955 555 176 00 6B7 955 555 176 00 8G1 955 555 176 00 8YR	Armrest for door panel Leather steel grey Sand beige Black	right	1	PR: 3LH, 3LS, 3LT
5	955 555 175 10	Armrest for door panel Leather Nature	left	1	PR: 3LM
(5)	955 555 175 10 J69 955 555 176 10	chestnut brown Armrest for door panel Leather Nature	right	1	PR: 3LM
-	955 555 176 10 J69 N 906 487 02	chestnut brown Oval hexagon socket head bolt		7	

Model: 9PA108 Model life 2007>>2010

Pos	Part Number	Description	Remark	Qty	Model
6	955 555 177 00	4,8 X 16 for Mount Armrest Cover panel Armrest	left	1	PR: 3LD, 3LH, 3LS, 3LT, 9WC
	955 555 177 00 5Q2	Black			
	955 555 177 00 5R3	steel grey			
	955 555 177 00 5S4	Sand beige			
(6)	955 555 178 00	Cover panel Armrest	right	1	PR: 3LD, 3LH, 3LS, 3LT, 9WC
	955 555 178 00 5Q2	Black			
	955 555 178 00 5R3	steel grey			
	955 555 178 00 5S4	Sand beige			
6	955 555 177 01	Cover panel Armrest	left	1	PR: 3LD, 3LH, 3LS, 3LT, 9WM
	955 555 177 01 5Q2	Black			
	955 555 177 01 5R3	steel grey			
	955 555 177 01 5S4	Sand beige			
(6)	955 555 178 01	Cover panel Armrest	right	1	PR: 3LD, 3LH, 3LS, 3LT, 9WM
	955 555 178 01 5Q2	Black			
	955 555 178 01 5R3	steel grey			
	955 555 178 01 5S4	Sand beige			
6	955 555 179 10	Cover panel Armrest	left	1	PR: 3LM, 9WC
	955 555 179 10 J69	chestnut brown			
(6)	955 555 180 10	Cover panel Armrest	right	1	PR: 3LM, 9WC
	955 555 180 10 J69	chestnut brown			
(6)	955 555 179 11	Cover panel Armrest	left	1	PR: 3LM, 9WM
	955 555 179 11 J69	chestnut brown			
(6)	955 555 180 11	Cover panel Armrest	right	1	PR: 3LM, 9WM
	955 555 180 11 J69	chestnut brown			
7	955 555 259 00	Pull handle Leather	left	1	PR: 3LH, 3LT
	955 555 259 00 6B7	steel grey			
	955 555 259 00 8G1	Sand beige			
	955 555 259 00 8YR	Black			
(7)	955 555 260 00	Pull handle Leather	right	1	PR: 3LH, 3LT
	955 555 260 00 6B7	steel grey			
	955 555 260 00 8G1	Sand beige			
	955 555 260 00 8YR	Black			
7	955 555 259 10	Pull handle Leather Nature	left	1	PR: 3LM
	955 555 259 10 J69	chestnut brown			
(7)	955 555 260 10	Pull handle Leather Nature	right	1	PR: 3LM
	955 555 260 10 J69	chestnut brown			
7	955 555 261 00	Pull handle	left	1	PR: 3LD
	955 555 261 00 A08	Black			
	955 555 261 00 T25	Sand beige			
	955 555 261 00 6E1	steel grey			
(7)	955 555 262 00	Pull handle	right	1	PR: 3LD
	955 555 262 00 A08	Black			
	955 555 262 00 T25	Sand beige			
	955 555 262 00 6E1	steel grey			
7	955 555 263 00	Pull handle	left	1	PR: 3LS

Model: 9PA108 Model life 2007>>2010

Pos	Part Number	Description	Remark	Qty	Model
		Alcantara D - MJ 2008>>			
	955 555 263 00 6B7	steel grey			
	955 555 263 00 8G1	Sand beige			
	955 555 263 00 8YR	Black			
(7)	955 555 264 00	Pull handle	left	1	PR:3LS
		Alcantara D - MJ 2008>>			
	955 555 264 00 6B7	steel grey			
	955 555 264 00 8G1	Sand beige			
	955 555 264 00 8YR	Black			
8	955 555 537 00	Cover panel	left	1	PR:3LD
		Pull handle			
	955 555 537 00 A08	Black			
	955 555 537 00 T25	Sand beige			
	955 555 537 00 6E1	steel grey			
(8)	955 555 538 00	Cover panel	right	1	PR:3LD
		Pull handle			
	955 555 538 00 A08	Black			
	955 555 538 00 T25	Sand beige			
	955 555 538 00 6E1	steel grey			
8	955 555 539 01	Cover panel	left	1	PR:3LH,3LS, 3LT
		Pull handle			
		Leather			
	955 555 539 01 6B7	steel grey			
	955 555 539 01 8G1	Sand beige			
	955 555 539 01 8YR	Black			
(8)	955 555 540 01	Cover panel	right	1	PR:3LH,3LS, 3LT
		Pull handle			
		Leather			
	955 555 540 01 6B7	steel grey			
	955 555 540 01 8G1	Sand beige			
	955 555 540 01 8YR	Black			
8	955 555 539 10	Cover panel	left	1	PR:3LM
		Pull handle			
		Leather			
		Nature			
	955 555 539 10 J69	chestnut brown			
(8)	955 555 540 10	Cover panel	right	1	PR:3LM
		Pull handle			
		Leather			
		Nature			
	955 555 540 10 J69	chestnut brown			
9	955 555 087 00	molding for door trim	left	1	PR:5MA
		panel			
		plastic			
		Lacquered			
	955 555 087 00 5X2	Silver mat chrome			
9	955 555 087 00	D >> - MJ 2009	left	1	PR:5MA,6FA
		molding for door trim			
		panel			
		plastic			
		Lacquered			
	955 555 087 00 5X2	Silver mat chrome			
9	955 555 087 00	molding for door trim	left	1	PR:E2D,5MA, 6FI
		panel			
		plastic			
		Lacquered			
	955 555 087 00 8C6	orange			
(9)	955 555 088 00	D - MJ 2009>>	right	1	PR:5MA
		molding for door trim			
		panel			

Model: 9PA108 Model life 2007>>2010

Pos	Part Number	Description	Remark	Qty	Model
		plastic Lacquered Silver mat chrome D >> - MJ 2009			
(9)	955 555 088 00	molding for door trim panel plastic Lacquered Silver mat chrome	right	1	PR:5MA,6FA
(9)	955 555 088 00	molding for door trim panel plastic Lacquered Silver mat chrome	right	1	PR:E2D,5MA, 6FI
	955 555 088 00 8C6	orange D - MJ 2009>>			
9	955 555 089 00	molding for door trim panel	left	1	PR:5TE
	955 555 089 00 62W	Satin aluminium Matte			
(9)	955 555 090 00	molding for door trim panel	right	1	PR:5TE
	955 555 090 00 62W	Satin aluminium Matte			
9	955 555 091 00	molding for door trim panel	left	1	PR:5MG
	955 555 091 00 4X2	Rootwood D >> - MJ 2008			
9	955 555 091 01	molding for door trim panel	left	1	PR:5MG
	955 555 091 01 4X2	Rootwood D - MJ 2009>>			
(9)	955 555 092 00	molding for door trim panel	right	1	PR:5MG
	955 555 092 00 4X2	Rootwood D >> - MJ 2008			
(9)	955 555 092 01	molding for door trim panel	right	1	PR:5MG
	955 555 092 01 4X2	Rootwood D - MJ 2009>>			
9	955 555 093 00	molding for door trim panel	left	1	PR:5TF
	955 555 093 00 4V8	High-gloss olive ash burl D >> - MJ 2008			
9	955 555 093 01	molding for door trim panel	left	1	PR:5TF
	955 555 093 01 4V8	High-gloss olive ash burl D - MJ 2009>>			
(9)	955 555 094 00	molding for door trim panel	right	1	PR:5TF
	955 555 094 00 4V8	High-gloss olive ash burl D >> - MJ 2008			
(9)	955 555 094 01	molding for door trim panel	right	1	PR:5TF
	955 555 094 01 4V8	High-gloss olive ash burl D - MJ 2009>>			
9	955 555 063 00	molding for door trim panel	left	1	PR:5TK
	955 555 063 00 9Z4	Super-matt olive ash burl D >> - MJ 2008			
(9)	955 555 064 00	molding for door trim panel	right	1	PR:5TK
	955 555 064 00 9Z4	Super-matt olive ash burl D >> - MJ 2008			

Model: 9PA108 Model life 2007>>2010

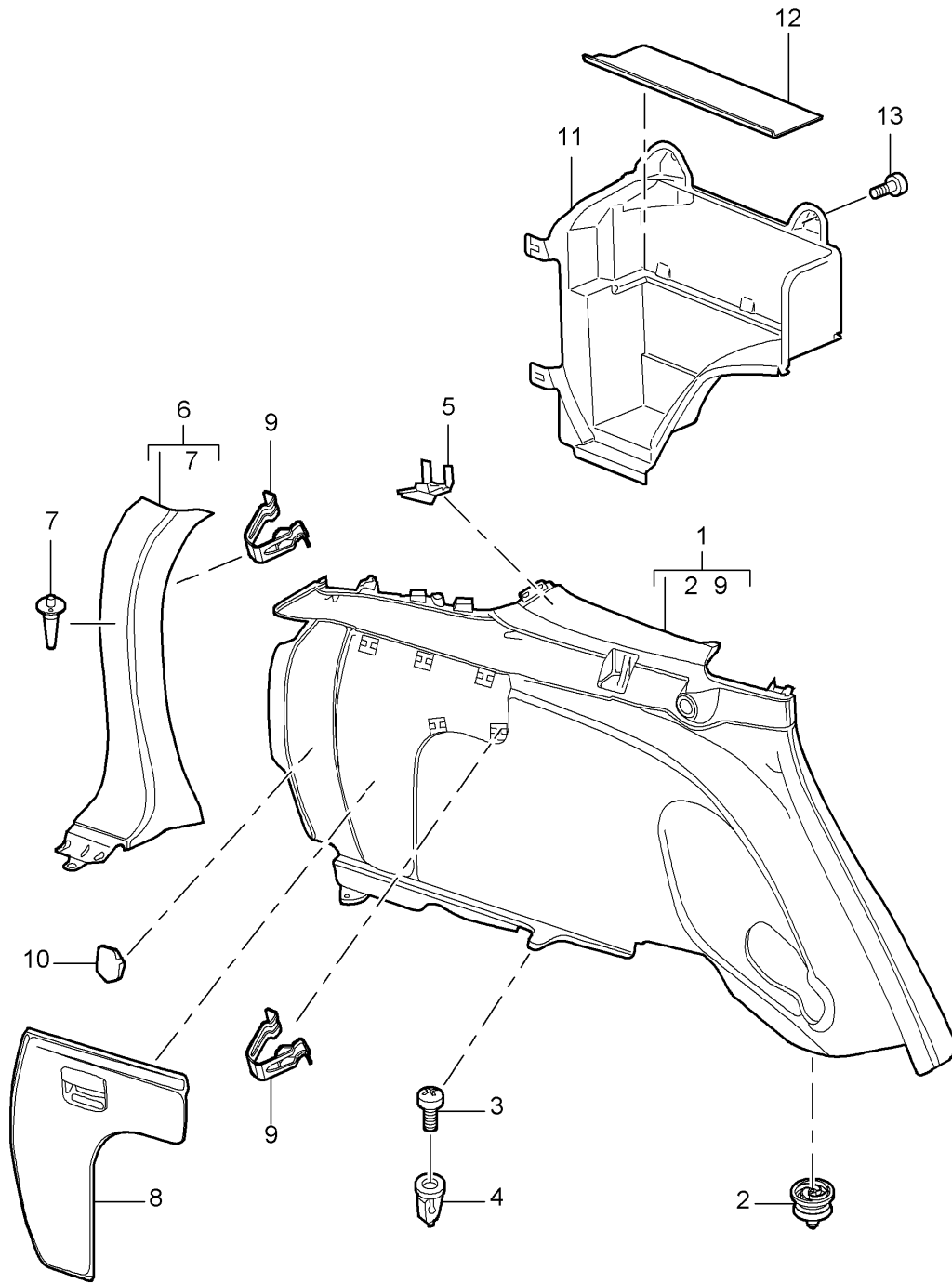
Pos	Part Number	Description	Remark	Qty	Model
9	955 555 064 00 9Z4 955 555 063 02	Super-matt olive ash burl molding for door trim panel Carbon	left	1	PR:5MH
(9)	955 555 063 02 CS3 955 555 064 02	Black molding for door trim panel Carbon	right	1	PR:5MH
10	955 555 064 02 CS3 955 555 113 00	Black Inner actuator (complete)	left	1	
(10)	955 555 113 00 A03 955 555 113 00 5V7 955 555 113 00 5Y9 955 555 113 00 5Z1 955 555 114 00	Black Stone grey Havanna Sand beige Inner actuator (complete)	right	1	
11	955 555 114 00 A03 955 555 114 00 5V7 955 555 114 00 5Y9 955 555 114 00 5Z1	Black Stone grey Havanna Sand beige			
(11)	955 555 883 03 955 555 884 03	cover for door trim panel cover for door trim panel	left right	1 1	
12	955 555 851 00 955 555 851 00 A03 955 555 851 00 7BA 955 555 851 00 5Z1 955 555 851 00 L58	ashtray Black steel grey Sand beige chestnut brown	left	1	PR:9JB
(12)	955 555 852 00 955 555 852 00 A03 955 555 852 00 7BA 955 555 852 00 5Z1 955 555 852 00 L58	ashtray Black steel grey Sand beige chestnut brown	right	1	PR:9JB
13	955 731 317 02 955 731 317 02 3W4	roller blind Door window Black	left	1	PR:3Y4
(13)	955 731 318 02 955 731 318 02 3W4	roller blind Door window Black	right	1	PR:3Y4
14	955 731 319 00 955 731 319 00 A03 955 731 319 00 5V7 955 731 319 00 5Y9 955 731 319 00 5Z1 955 731 320 00	Cover roller blind Lacquered Black Stone grey Havanna Sand beige Cover roller blind Lacquered	left	1	PR:3Y4
(14)	955 731 320 00 A03 955 731 320 00 5V7 955 731 320 00 5Y9 955 731 320 00 5Z1	Black Stone grey Havanna Sand beige	right	1	PR:3Y4
15	955 731 321 00 955 731 321 00 9B9 955 731 322 00	Bracket roller blind Satin black Bracket roller blind	left front	1	PR:3Y4
(15)	955 731 322 00 9B9 955 731 323 00	Satin black Bracket roller blind	right front	1	PR:3Y4
(15)	955 731 323 00 9B9 955 731 324 00	Satin black Bracket	left rear	1	PR:3Y4
(15)	955 731 323 00 9B9 955 731 324 00	Satin black Bracket	right	1	PR:3Y4

Model: 9PA108 Model life 2007>>2010

Pos	Part Number	Description	Remark	Qty	Model
16	955 731 324 00 9B9 N 104 472 01	roller blind Satin black Hexagon socket oval head panel bolt (combi) ST 4,8 X 13	rear	4	
17	955 731 325 01	Cover cap Bracket	left front	1	PR:3Y4
(17)	955 731 325 01 9B9 955 731 326 01	Satin black Cover cap Bracket	right front	1	PR:3Y4
(17)	955 731 326 01 9B9 955 731 327 01	Satin black Cover cap Bracket	left rear	1	PR:3Y4
(17)	955 731 327 01 9B9 955 731 328 01	Satin black Cover cap Bracket	right rear	1	PR:3Y4
18	955 731 328 01 9B9 955 731 330 00	Satin black plate roller blind		2	PR:3Y4
19	955 731 330 00 9B9	Satin black			
20	955 556 821 01	sound absorber for door	left	2	
(20)	955 556 881 01	sound absorber for door	right	1	
21	955 556 882 01	sound absorber for door		1	
22	N 105 168 01	expanding nut door panel		2	
23	955 555 033 00	Retaining clip Trim		4	
24	955 645 511 00	inscription Bose		1	PR:9VL
25	N 907 468 01	Clip		7	
		Light		X	PR:9MB
		Door			
		see illustration:	903-004		

Model: 9PA108

Model life 2007>>2010



Model: 9PA108 Model life 2007>>2010

Pos	Part Number	Description	Remark	Qty	Model
1	955 555 037 02	Side panel trim Accessories Side panel trim Tufting velour D >> - MJ 2008	rear left rear	1	PR:3LD,9AB, 9AD
	955 555 037 02 PCE	black/black			
	955 555 037 02 PCF	Stone grey/steel grey			
	955 555 037 02 PCG	Havanna/sand beige			
	955 555 037 02 ZPQ	chestnut brown D - MJ 2009>>			
	955 555 037 02 ZPS	Sand beige/sand beige D - MJ 2009>>			
1	955 555 037 02	Side panel trim Tufting velour D - MJ 2009>>	left rear	1	PR:9AB,9AD
	955 555 037 02 PCE	black/black			
	955 555 037 02 PCF	Stone grey/steel grey			
	955 555 037 02 PCG	Havanna/sand beige			
	955 555 037 02 ZPQ	chestnut brown D - MJ 2009>>			
	955 555 037 02 ZPS	Sand beige/sand beige D - MJ 2009>>			
1	955 555 038 02	Side panel trim Tufting velour D >> - MJ 2008	right rear	1	PR:1D0,1D2, 1D6,1D7,1D8, 3LD
	955 555 038 02 PCE	black/black			
	955 555 038 02 PCF	Stone grey/steel grey			
	955 555 038 02 PCG	Havanna/sand beige			
	955 555 038 02 ZPQ	chestnut brown D - MJ 2009>>			
	955 555 038 02 ZPS	Sand beige/sand beige D - MJ 2009>>			
1	955 555 038 02	Side panel trim Tufting velour D - MJ 2009>>	right rear	1	PR:1D0,1D2, 1D6,1D7,1D8
	955 555 038 02 PCE	black/black			
	955 555 038 02 PCF	Stone grey/steel grey			
	955 555 038 02 PCG	Havanna/sand beige			
	955 555 038 02 ZPQ	chestnut brown D - MJ 2009>>			
	955 555 038 02 ZPS	Sand beige/sand beige D - MJ 2009>>			
(1)	955 555 041 01	Side panel trim Tufting velour D >> - MJ 2008	left rear	1	PR:3LD,9AH
	955 555 041 01 PCE	black/black			
	955 555 041 01 PCF	Stone grey/steel grey			
	955 555 041 01 PCG	Havanna/sand beige			
	955 555 041 01 ZPQ	chestnut brown D - MJ 2009>>			
	955 555 041 01 ZPS	Sand beige/sand beige D - MJ 2009>>			
(1)	955 555 041 01	Side panel trim Tufting velour D - MJ 2009>>	left rear	1	PR:9AH
	955 555 041 01 PCE	black/black			

Model: 9PA108 Model life 2007>>2010

Pos	Part Number	Description	Remark	Qty	Model				
(1)	955 555 041 01 PCF	Stone grey/steel grey		1	PR:3LD,1D9				
	955 555 041 01 PCG	Havanna/sand beige							
	955 555 041 01 ZPQ	chestnut brown							
		D - MJ 2009>>							
	955 555 041 01 ZPS	Sand beige/sand beige							
		D - MJ 2009>>							
	955 555 040 02	Side panel trim							
		Tufting velour							
		D >> - MJ 2008							
		955 555 040 02 PCE				black/black			
(1)	955 555 040 02 PCF	Stone grey/steel grey		1	PR:1D9				
	955 555 040 02 PCG	Havanna/sand beige							
	955 555 040 02 ZPQ	chestnut brown							
		D - MJ 2009>>							
	955 555 040 02 ZPS	Sand beige/sand beige							
		D - MJ 2009>>							
	955 555 040 02	Side panel trim							
		Tufting velour							
		D - MJ 2009>>							
		955 555 040 02 PCE				black/black			
1	955 555 040 02 PCF	Stone grey/steel grey		1	PR:3LH,3LM, 3LS,3LT,9AB, 9AD				
	955 555 040 02 PCG	Havanna/sand beige							
	955 555 040 02 ZPQ	chestnut brown							
		D - MJ 2009>>							
	955 555 040 02 ZPS	Sand beige/sand beige							
		D - MJ 2009>>							
	955 555 039 02	Side panel trim							
		Pearl velour							
		955 555 039 02 PCJ				black/black			
		955 555 039 02 PCK				Stone grey/steel grey			
(1)	955 555 039 02 PCL	Havanna/sand beige		1	PR:1D0,1D2, 1D6,1D7,1D8, 3LH,3LM,3LS, 3LT				
	955 555 039 02 RKS	Sand beige/sand beige							
	955 555 039 02 WPG	chestnut brown							
	955 555 042 02	Side panel trim							
		Pearl velour							
		955 555 042 02 PCJ				black/black			
		955 555 042 02 PCK				Stone grey/steel grey			
		955 555 042 02 PCL				Havanna/sand beige			
		955 555 042 02 RKS				Sand beige/sand beige			
		955 555 042 02 WPG				chestnut brown			
1	955 555 043 01	Side panel trim		1	PR:3LH,3LM, 3LS,3LT,9AH				
		Pearl velour							
		955 555 043 01 PCJ				black/black			
		955 555 043 01 PCK				Stone grey/steel grey			
		955 555 043 01 PCL				Havanna/sand beige			
		955 555 043 01 RKS				Sand beige/sand beige			
		955 555 043 01 WPG				chestnut brown			
	(1)	955 555 044 02				Side panel trim		1	PR:1D9,3LH, 3LM,3LS,3LT
						Pearl velour			
						955 555 044 02 PCJ			
		955 555 044 02 PCK	Stone grey/steel grey						
		955 555 044 02 PCL	Havanna/sand beige						
		955 555 044 02 RKS	Sand beige/sand beige						
		955 555 044 02 WPG	chestnut brown						

Model: 9PA108 Model life 2007>>2010

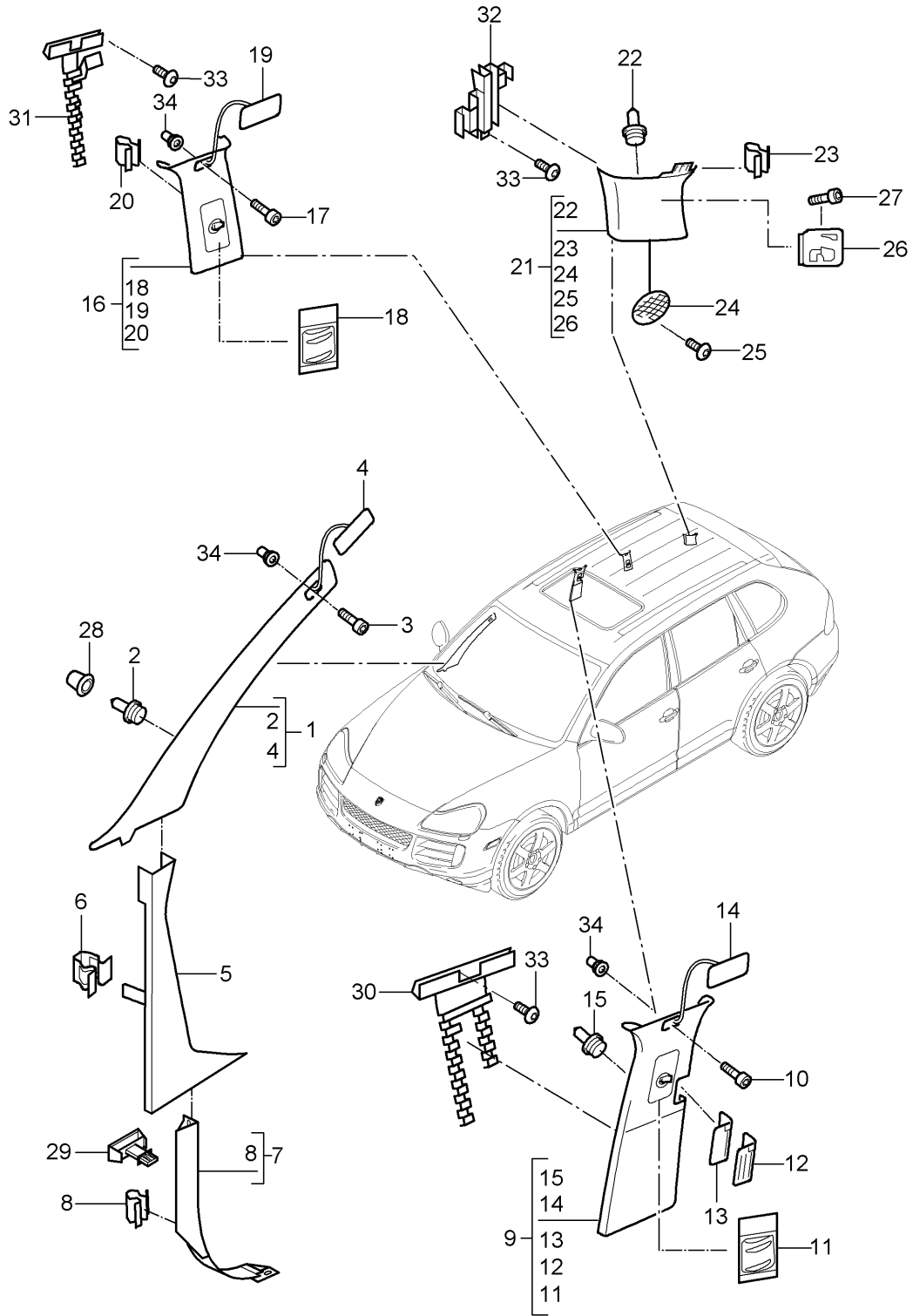
Pos	Part Number	Description	Remark	Qty	Model
2	955 555 245 00	Retaining clip for		X	
3	N 908 195 01	Side panel trim Oval-head screw ST 4,8 X 13 Mount		4	
4	N 105 168 01	Side panel trim expanding nut F 5X 14,4 Mount		4	
(4)	N 909 274 01	Side panel trim Side member expanding nut CST 4,8 X 10 Mount		4	
5	955 555 387 00	Side panel trim c-pillar Clip for Mount		2	
6	955 555 447 03	Side panel trim End trim Side panel trim Discontinued part	left rear	1	
	955 555 447 03 9B9	Satin black			
	955 555 447 03 6C6	Sand beige			
	955 555 447 03 7A8	steel grey			
6	955 555 447 04	Side panel trim End trim D - MJ 2007>>	left rear	1	
	955 555 447 04 9B9	Satin black			
	955 555 447 04 6C6	Sand beige			
	955 555 447 04 7A8	steel grey			
(6)	955 555 448 03	Side panel trim End trim Side panel trim Discontinued part	right rear	1	
	955 555 448 03 9B9	Satin black			
	955 555 448 03 6C6	Sand beige			
	955 555 448 03 7A8	steel grey			
(6)	955 555 448 04	Side panel trim End trim Side panel trim	right rear	1	
	955 555 448 04 9B9	Satin black			
	955 555 448 04 6C6	Sand beige			
	955 555 448 04 7A8	steel grey			
7	955 555 276 00	Retaining clip for End trim	rear	3	
8	955 555 461 00	Cover Side panel trim Tufting velour D >> - MJ 2008	left	1	PR: 3LD, 9AB, 9AD
	955 555 461 00 7H1	Black			
	955 555 461 00 7J2	steel grey			
	955 555 461 00 7K3	Sand beige			
(8)	955 555 462 01	Cover Side panel trim Tufting velour D >> - MJ 2008	right	1	PR: 3LD
	955 555 462 01 7H1	Black			
	955 555 462 01 7J2	steel grey			
	955 555 462 01 7K3	Sand beige			
(8)	955 555 461 00	Cover Side panel trim	left	1	PR: 9AB, 9AD

Model: 9PA108 Model life 2007>>2010

Pos	Part Number	Description	Remark	Qty	Model
		D - MJ 2009>>			
	955 555 461 00 PCE	black/black			
	955 555 461 00 PCF	Stone grey/steel grey			
	955 555 461 00 PCG	Havanna/sand beige			
	955 555 461 00 ZPQ	chestnut brown			
	955 555 461 00 ZPS	Sand beige/sand beige			
(8)	955 555 462 01	Cover	right	1	
		Side panel trim			
		D - MJ 2009>>			
	955 555 462 01 PCE	black/black			
	955 555 462 01 PCF	Stone grey/steel grey			
	955 555 462 01 PCG	Havanna/sand beige			
	955 555 462 01 ZPQ	chestnut brown			
	955 555 462 01 ZPS	Sand beige/sand beige			
8	955 555 471 00	Cover	left	1	PR: 3LH, 3LM, 3LS, 3LT, 9AB, 9AD
		Side panel trim			
		Pearl velour			
		D >> - MJ 2008			
	955 555 471 00 L63	chestnut brown			
	955 555 471 00 8B2	Black			
	955 555 471 00 8C3	steel grey			
	955 555 471 00 8D4	Sand beige			
(8)	955 555 472 01	Cover	right	1	PR: 3LH, 3LM, 3LS, 3LT
		Side panel trim			
		Pearl velour			
		D >> - MJ 2008			
	955 555 472 01 L63	chestnut brown			
	955 555 472 01 8B2	Black			
	955 555 472 01 8C3	steel grey			
	955 555 472 01 8D4	Sand beige			
9	955 555 388 00	Clip		5	PR: 9AB, 9AD
		Side panel trim			
		Mount			
		Cover			
(9)	955 555 389 00	Clip		5	PR: 9AH
		Side panel trim			
		Mount			
		Cover			
10		Socket		1	
		Side panel trim			
		see illustration:	903-005		
11	955 555 705 00	Stowage box	left	1	PR: 9AB, 9AD
		Side panel trim			
12	955 555 652 00	Insert		1	PR: 9AB, 9AD
		Stowage box			
13	N 906 841 02	Oval hexagon socket head bolt M 6 X 20 for Mount		2	
(13)	N 106 185 01	Stowage box rivetted cap nut M 6/0,5 - 3,0 for Mount Stowage box		2	

Model: 9PA108

Model life 2007>>2010



Model: 9PA108 Model life 2007>>2010

Pos	Part Number	Description	Remark	Qty	Model
1	955 555 181 03	Linings A-pillar Until d-pillar A-pillar trim	left upper	1	PR:D5V,D5X, D5Z,6NJ,6NL, 6NQ
(1)	955 555 181 03 K90 955 555 181 03 6K1 955 555 181 03 6L2 955 555 182 03	Cloth Black Black Sand beige steel grey A-pillar trim	right upper	1	PR:D5V,D5X, D5Z,6NJ,6NL, 6NQ
(1)	955 555 182 03 K90 955 555 182 03 6K1 955 555 182 03 6L2 955 555 181 04	Cloth Black Black Sand beige steel grey A-pillar trim	left upper	1	PR:D50,6NJ, 6NL,6NQ
(1)	955 555 181 04 K90 955 555 181 04 6K1 955 555 181 04 6L2 955 555 182 04	Cloth Black D - MJ 2009>> Black Sand beige steel grey A-pillar trim	right upper	1	PR:D50,6NJ, 6NL,6NQ
1	955 555 182 04 K90 955 555 182 04 6K1 955 555 182 04 6L2 955 555 183 04	Cloth Black D - MJ 2009>> Black Sand beige steel grey A-pillar trim (Alcantara)	left upper	1	PR:D5V,D5X, D5Z,6NA,6NF, 6NN
(1)	955 555 183 04 5E5 955 555 183 04 5E6 955 555 183 04 5G6 955 555 184 04	steel grey Black Sand beige A-pillar trim (Alcantara)	right upper	1	PR:D5V,D5X, D5Z,6NA,6NF, 6NN
(1)	955 555 184 04 5E5 955 555 184 04 5E6 955 555 184 04 5G6 955 555 183 05	steel grey Black Sand beige A-pillar trim (Alcantara) D - MJ 2009>>	left upper	1	PR:D50,6NA, 6NF,6NN
(1)	955 555 183 05 5E5 955 555 183 05 5E6 955 555 183 05 5G6 955 555 184 05	steel grey Black Sand beige A-pillar trim (Alcantara) D - MJ 2009>>	right upper	1	PR:D50,6NA, 6NF,6NN
2	955 555 184 05 5E5 955 555 184 05 5E6 955 555 184 05 5G6 955 555 333 00	steel grey Black Sand beige Clip Mount Trim	upper	2	

Model: 9PA108 Model life 2007>>2010

Pos	Part Number	Description	Remark	Qty	Model
3	N 106 768 01	A-pillar Oval hexagon socket head bolt M 5 X 25 Mount	upper	2	
4	955 555 437 00	A-pillar Sticker Airbag		2	
	955 555 437 00 9B9	Satin black			
	955 555 437 00 6C6	Sand beige			
	955 555 437 00 7A8	steel grey			
5	955 555 239 00	A-pillar trim	left center	1	
	955 555 239 00 9B9	Satin black			
	955 555 239 00 6C6	Sand beige			
	955 555 239 00 7A8	steel grey			
(5)	955 555 240 00	A-pillar trim	right center	1	
	955 555 240 00 9B9	Satin black			
	955 555 240 00 6C6	Sand beige			
	955 555 240 00 7A8	steel grey			
6	955 552 208 00	Clamp Mount A-pillar	center	2	
7	955 555 485 00	A-pillar trim	left lower	1	PR:L0L
	955 555 485 00 9B9	Satin black			
	955 555 485 00 6C6	Sand beige			
	955 555 485 00 7A8	steel grey			
(7)	955 555 486 00	A-pillar trim	right lower	1	PR:L0L
	955 555 486 00 9B9	Satin black			
	955 555 486 00 6C6	Sand beige			
	955 555 486 00 7A8	steel grey			
(7)	955 555 487 00	A-pillar trim	left lower	1	PR:L0R
	955 555 487 00 9B9	Satin black			
	955 555 487 00 7A8	steel grey			
	955 555 487 00 6C6	Sand beige			
(7)	955 555 488 00	A-pillar trim	right lower	1	PR:L0R
	955 555 488 00 9B9	Satin black			
	955 555 488 00 7A8	steel grey			
	955 555 488 00 6C6	Sand beige			
8	955 555 279 00	Retaining clip		2	
(9)	955 555 185 04	B-pillar trim	left	1	PR:3QT,6NJ, 6NL,6NQ,9AB, 9AD
		Cloth			
	955 555 185 04 QGA	satin black/steel grey			
	955 555 185 04 QGB	Steel grey/steel grey			
	955 555 185 04 QGC	Sand beige/sand beige			
	955 555 185 04 WPR	Satin black/black			
(9)	955 555 186 04	B-pillar trim	right	1	PR:3QT,6NJ, 6NL,6NQ,9AB, 9AD
		Cloth			
	955 555 186 04 QGA	satin black/steel grey			
	955 555 186 04 QGB	Steel grey/steel grey			
	955 555 186 04 QGC	Sand beige/sand beige			
	955 555 186 04 WPR	Satin black/black			
9	955 555 187 03	B-pillar trim	left	1	PR:3QT,6NJ, 6NL,6NQ,9AH
		Cloth			
	955 555 187 03 QGA	satin black/steel grey			
	955 555 187 03 QGB	Steel grey/steel grey			

Model: 9PA108 Model life 2007>>2010

Pos	Part Number	Description	Remark	Qty	Model
(9)	955 555 187 03 QGC	Sand beige/sand beige	right	1	PR: 3QT, 6NJ, 6NL, 6NQ, 9AH
	955 555 187 03 WPR	Satin black/black			
	955 555 188 03	B-pillar trim			
		Cloth			
(9)	955 555 188 03 QGA	satin black/steel grey	left	1	PR: 4QF, 6NJ, 6NL, 6NQ, 9AB, 9AD
	955 555 188 03 QGB	Steel grey/steel grey			
	955 555 188 03 QGC	Sand beige/sand beige			
	955 555 188 03 WPR	Satin black/black			
(9)	955 555 189 04	B-pillar trim	right	1	PR: 4QF, 6NJ, 6NL, 6NQ, 9AB, 9AD
		Cloth			
	955 555 189 04 QGA	satin black/steel grey			
	955 555 189 04 QGB	Steel grey/steel grey			
(9)	955 555 189 04 QGC	Sand beige/sand beige	left	1	PR: 4QF, 6NJ, 6NL, 6NQ, 9AB, 9AD
	955 555 189 04 WPR	Satin black/black			
	955 555 190 04	B-pillar trim			
		Cloth			
9	955 555 190 04 QGA	satin black/steel grey	right	1	PR: 4QF, 6NJ, 6NL, 6NQ, 9AB, 9AD
	955 555 190 04 QGB	Steel grey/steel grey			
	955 555 190 04 QGC	Sand beige/sand beige			
	955 555 190 04 WPR	Satin black/black			
(9)	955 555 191 03	B-pillar trim	left	1	PR: 4QF, 6NJ, 6NL, 6NQ, 9AH
		Cloth			
	955 555 191 03 QGA	satin black/steel grey			
	955 555 191 03 QGB	Steel grey/steel grey			
(9)	955 555 191 03 QGC	Sand beige/sand beige	right	1	PR: 4QF, 6NJ, 6NL, 6NQ, 9AH
	955 555 191 03 WPR	Satin black/black			
	955 555 192 03	B-pillar trim			
		Cloth			
9	955 555 192 03 QGA	satin black/steel grey	left	1	PR: 3QT, 6NA, 6NF, 6NN, 9AB, 9AD
	955 555 192 03 QGB	Steel grey/steel grey			
	955 555 192 03 QGC	Sand beige/sand beige			
	955 555 192 03 WPR	Satin black/black			
(9)	955 555 193 04	B-pillar trim (Alcantara)	right	1	PR: 3QT, 6NA, 6NF, 6NN, 9AB, 9AD
		Cloth			
	955 555 193 04 QGE	Satin black/black			
	955 555 193 04 QGF	Steel grey/steel grey			
(9)	955 555 193 04 QGG	Sand beige/sand beige	left	1	PR: 3QT, 6NA, 6NF, 6NN, 9AH
	955 555 194 04	B-pillar trim (Alcantara)			
		Cloth			
	955 555 194 04 QGE	Satin black/black			
9	955 555 194 04 QGF	Steel grey/steel grey	right	1	PR: 3QT, 6NA, 6NF, 6NN, 9AB, 9AD
	955 555 194 04 QGG	Sand beige/sand beige			
	955 555 195 03	B-pillar trim (Alcantara)			
		Cloth			
(9)	955 555 195 03 QGE	Satin black/black	left	1	PR: 3QT, 6NA, 6NF, 6NN, 9AH
	955 555 195 03 QGF	Steel grey/steel grey			
	955 555 195 03 QGG	Sand beige/sand beige			
	955 555 196 03	B-pillar trim (Alcantara)			
(9)	955 555 196 03 QGE	Satin black/black	right	1	PR: 3QT, 6NA, 6NF, 6NN, 9AH
	955 555 196 03 QGF	Steel grey/steel grey			
	955 555 196 03 QGG	Sand beige/sand beige			
	955 555 197 04	B-pillar trim (Alcantara)			
9	955 555 197 04	B-pillar trim (Alcantara)	left	1	PR: 4QF, 6NA, 6NF, 6NN, 9AB, 9AD
	955 555 197 04 QGE	Satin black/black			

Model: 9PA108 Model life 2007>>2010

Pos	Part Number	Description	Remark	Qty	Model
(9)	955 555 197 04 QGF	Steel grey/steel grey	right	1	PR: 4QF, 6NA, 6NF, 6NN, 9AB, 9AD
	955 555 197 04 QGG	Sand beige/sand beige			
	955 555 198 04	B-pillar trim (Alcantara)			
9	955 555 198 04 QGE	Satin black/black	left	1	PR: 4QF, 6NA, 6NF, 6NN, 9AH
	955 555 198 04 QGF	Steel grey/steel grey			
	955 555 198 04 QGG	Sand beige/sand beige			
(9)	955 555 199 03	B-pillar trim (Alcantara)	right	1	PR: 4QF, 6NA, 6NF, 6NN, 9AH
	955 555 199 03 QGE	Satin black/black			
	955 555 199 03 QGF	Steel grey/steel grey			
10	955 555 199 03 QGG	Sand beige/sand beige	right	1	PR: 4QF, 6NA, 6NF, 6NN, 9AH
	955 555 200 03	B-pillar trim (Alcantara)			
	955 555 200 03 QGE	Satin black/black			
10	955 555 200 03 QGF	Steel grey/steel grey	right	1	PR: 4QF, 6NA, 6NF, 6NN, 9AH
	955 555 200 03 QGG	Sand beige/sand beige			
	N 106 768 01	Oval hexagon socket head bolt M 5 X 25 Mount			
11	955 555 311 02	B-pillar slide valve Trim	left upper	1	PR: 3QT
(11)	955 555 311 02 9B9	Satin black	right upper	1	PR: 3QT
	955 555 311 02 6C6	Sand beige			
	955 555 311 02 7A8	steel grey			
11	955 555 312 02	B-pillar slide valve Trim	left upper	1	PR: 4QF
	955 555 312 02 9B9	Satin black			
	955 555 312 02 6C6	Sand beige			
(11)	955 555 312 02 7A8	steel grey	right upper	1	PR: 4QF
	955 555 313 02	B-pillar slide valve Trim			
	955 555 313 02 9B9	Satin black			
12	955 555 313 02 6C6	Sand beige	left upper	1	PR: 9AH
	955 555 313 02 7A8	steel grey			
	955 555 314 02	B-pillar slide valve Trim			
(12)	955 555 314 02 9B9	Satin black	right upper	1	PR: 4QF
	955 555 314 02 6C6	Sand beige			
	955 555 314 02 7A8	steel grey			
12	955 555 209 00	Vent Trim B-pillar	left upper	1	PR: 9AH
	955 555 209 00 5Z1	Sand beige			
	955 555 209 00 6N3	Matt black			
(12)	955 555 209 00 7BA	steel grey	right upper	1	PR: 9AH
	955 555 210 00	Vent Trim B-pillar			
	955 555 210 00 5Z1	Sand beige			
(12)	955 555 210 00 6N3	Matt black	left upper	1	PR: 9AB, 9AD
	955 555 210 00 7BA	steel grey			
	955 555 215 00	Vent Trim B-pillar			
(12)	955 555 215 00 5Z1	Sand beige	left upper	1	PR: 9AB, 9AD
	955 555 215 00 6N3	Matt black			

Model: 9PA108 Model life 2007>>2010

Pos	Part Number	Description	Remark	Qty	Model
(12)	955 555 215 00 7BA 955 555 216 00	steel grey Vent Trim B-pillar	right upper	1	PR: 9AB, 9AD
	955 555 216 00 5Z1 955 555 216 00 6N3	Sand beige Matt black			
13	955 555 216 00 7BA 955 555 297 00	steel grey Seal Air inlet Trim B-pillar	left	1	PR: 9AB, 9AD
	955 555 297 00 9B9 955 555 297 00 6C6 955 555 297 00 7A8	Satin black Sand beige steel grey			
(13)	955 555 298 00	Seal Air inlet Trim B-pillar	right	1	PR: 9AB, 9AD
	955 555 298 00 9B9 955 555 298 00 6C6 955 555 298 00 7A8	Satin black Sand beige steel grey			
14	955 555 437 00	Sticker Airbag		2	
	955 555 437 00 9B9 955 555 437 00 6C6 955 555 437 00 7A8	Satin black Sand beige steel grey			
15	955 555 276 00	Retaining clip Trim B-pillar		8	
16	955 555 221 03	C-pillar trim Cloth	left upper	1	PR: 6NJ, 6NL, 6NQ
	955 555 221 03 K90 955 555 221 03 6K1 955 555 221 03 6L2	Black Sand beige steel grey			
(16)	955 555 222 03	C-pillar trim Cloth	right upper	1	PR: 6NJ, 6NL, 6NQ
	955 555 222 03 K90 955 555 222 03 6K1 955 555 222 03 6L2	Black Sand beige steel grey			
16	955 555 223 03	C-pillar trim (Alcantara)	left upper	1	PR: 6NA, 6NF, 6NN
	955 555 223 03 5E5 955 555 223 03 5E6 955 555 223 03 5G6	steel grey Black Sand beige			
(16)	955 555 224 03	C-pillar trim (Alcantara)	right upper	1	PR: 6NA, 6NF, 6NN
	955 555 224 03 5E5 955 555 224 03 5E6 955 555 224 03 5G6	steel grey Black Sand beige			
17	N 106 768 01	Oval hexagon socket head bolt M 5 X 25 Mount c-pillar	upper	2	
18	955 555 315 02	slide valve Trim c-pillar	left upper	1	
	955 555 315 02 9B9 955 555 315 02 6C6 955 555 315 02 7A8	Satin black Sand beige steel grey			
(18)	955 555 316 02	slide valve Trim	right upper	1	

Model: 9PA108 Model life 2007>>2010

Pos	Part Number	Description	Remark	Qty	Model
19	955 555 316 02 9B9	c-pillar Satin black		2	
	955 555 316 02 6C6	Sand beige			
	955 555 316 02 7A8	steel grey			
	955 555 437 00	Sticker Airbag			
20	955 555 437 00 9B9	Satin black	upper	2	
	955 555 437 00 6C6	Sand beige			
	955 555 437 00 7A8	steel grey			
	955 555 277 00	Retaining clip Trim			
21	955 555 251 04	c-pillar D-pillar trim (Alcantara)	left	1	PR: 6NA, 6NF, 6NN, 8RV
	955 555 251 04 5E5	steel grey			
	955 555 251 04 5E6	Black			
	955 555 251 04 5G6	Sand beige			
(21)	955 555 252 04	D-pillar trim (Alcantara)	right	1	PR: 6NA, 6NF, 6NN, 8RV
	955 555 252 04 5E5	steel grey			
	955 555 252 04 5E6	Black			
	955 555 252 04 5G6	Sand beige			
21	955 555 253 04	D-pillar trim (Alcantara)	left	1	PR: 6NA, 6NF, 6NN, 9VL
	955 555 253 04 5E5	steel grey			
	955 555 253 04 5E6	Black			
	955 555 253 04 5G6	Sand beige			
(21)	955 555 254 04	D-pillar trim (Alcantara)	right	1	PR: 6NA, 6NF, 6NN, 9VL
	955 555 254 04 5E5	steel grey			
	955 555 254 04 5E6	Black			
	955 555 254 04 5G6	Sand beige			
21	955 555 255 04	D-pillar trim	left	1	PR: 6NJ, 6NL, 6NQ, 8RV
	955 555 255 04 K90	Cloth Black			
	955 555 255 04 6K1	Sand beige			
	955 555 255 04 6L2	steel grey			
(21)	955 555 256 04	D-pillar trim	right	1	PR: 6NJ, 6NL, 6NQ, 8RV
	955 555 256 04 K90	Cloth Black			
	955 555 256 04 6K1	Sand beige			
	955 555 256 04 6L2	steel grey			
21	955 555 257 04	D-pillar trim	left	1	PR: 6NJ, 6NL, 6NQ, 9VL
	955 555 257 04 K90	Cloth Black			
	955 555 257 04 6K1	Sand beige			
	955 555 257 04 6L2	steel grey			
(21)	955 555 258 04	D-pillar trim	right	1	PR: 6NJ, 6NL, 6NQ, 9VL
	955 555 258 04 K90	Cloth Black			
	955 555 258 04 6K1	Sand beige			
	955 555 258 04 6L2	steel grey			
22	955 555 276 00	Retaining clip Trim		7	
		d-pillar			
23	955 555 277 00	Retaining clip Trim		4	
		d-pillar			
24	955 555 149 00	Loudspeaker trim	left	1	PR: 9VL

Model: 9PA108 Model life 2007>>2010

Pos	Part Number	Description	Remark	Qty	Model
		Trim d-pillar			
	955 555 149 00 7BA	steel grey			
	955 555 149 00 5Z1	Sand beige			
	955 555 149 00 6N3	Matt black			
(24)	955 555 150 00	Loudspeaker trim	right	1	PR:9VL
		Trim d-pillar			
	955 555 150 00 7BA	steel grey			
	955 555 150 00 5Z1	Sand beige			
	955 555 150 00 6N3	Matt black			
25	N 106 021 01	Hexagon socket flat head bolt 4,0 X 10 Mount		4	PR:9VL
		Loudspeaker trim			
26	955 555 687 02	Eye d-pillar for	left	1	
		Luggage net			
	955 555 687 02 9B9	Satin black			
	955 555 687 02 6C6	Sand beige			
	955 555 687 02 7A8	steel grey			
(26)	955 555 688 02	Eye d-pillar for	right	1	
		Luggage net			
	955 555 688 02 9B9	Satin black			
	955 555 688 02 6C6	Sand beige			
	955 555 688 02 7A8	steel grey			
27	N 908 429 03	Hex socket head collared bolt M 6 X 12 Mount		2	
		Eye for			
		Luggage net			
28	955 555 334 00	bush		4	
		Trim			
		A-pillar			
29	955 551 787 01	Retaining clip	lower	2	
		A-pillar			
30	955 555 771 00	deformation element	left	1	PR:3FA,3FE
		B-pillar			
(30)	955 555 772 00	deformation element	right	1	PR:3FA,3FE
		B-pillar			
(30)	955 555 773 00	deformation element	left	1	PR:3FU
		B-pillar			
(30)	955 555 774 00	deformation element	right	1	PR:3FU
		B-pillar			
31	955 555 775 00	deformation element	left	1	PR:3FA,3FE
		c-pillar			
(31)	955 555 776 00	deformation element	right	1	PR:3FA,3FE
		c-pillar			
(31)	955 555 777 00	deformation element	left	1	PR:3FU
		c-pillar			
(31)	955 555 778 00	deformation element	right	1	PR:3FU
		c-pillar			
32	955 555 779 00	deformation element	left	1	
		d-pillar			
(32)	955 555 780 00	deformation element	right	1	
		d-pillar			
33	N 908 195 01	Oval-head screw ST 4,8 X 13		X	

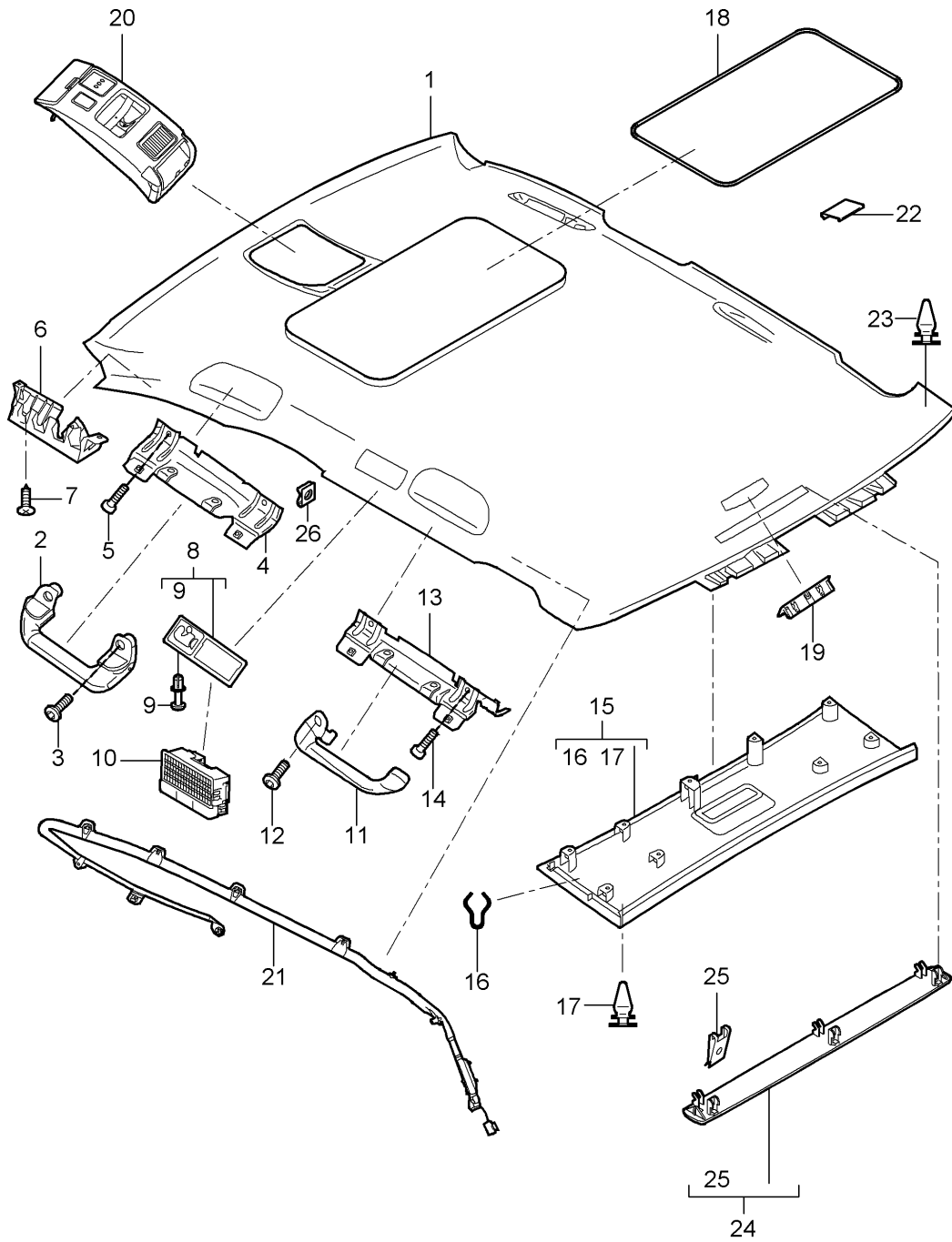
Model: 9PA108

Model life 2007>>2010

Pos	Part Number	Description	Remark	Qty	Model
34	N 911 215 01	riveted cap nut M5		X	

Model: 9PA108

Model life 2007>>2010



Model: 9PA108 Model life 2007>>2010

Pos	Part Number	Description	Remark	Qty	Model
(1)	955 555 011 01	roof trim Accessories Cloth Discontinued part		1	PR: 3FA, 6NJ, 7X0, 7X9
	955 555 011 01 K90	Black			
	955 555 011 01 6K1	Sand beige			
	955 555 011 01 6L2	steel grey			
(1)	955 555 012 01	roof trim Cloth Discontinued part		1	PR: 3FA, 6NJ, 7X2, 7X8
	955 555 012 01 K90	Black			
	955 555 012 01 6K1	Sand beige			
	955 555 012 01 6L2	steel grey			
(1)	955 555 013 01	roof trim Cloth Discontinued part		1	PR: 3FE, 7X0, 7X9
	955 555 013 01 K90	Black			
	955 555 013 01 6K1	Sand beige			
	955 555 013 01 6L2	steel grey			
(1)	955 555 014 01	roof trim Cloth Discontinued part		1	PR: 3FE, 7X2, 7X8
	955 555 014 01 K90	Black			
	955 555 014 01 6K1	Sand beige			
	955 555 014 01 6L2	steel grey			
(1)	955 555 015 01	roof trim Cloth Discontinued part		1	PR: 3FU, 6NJ, 7X0, 7X9
	955 555 015 01 K90	Black			
	955 555 015 01 6K1	Sand beige			
	955 555 015 01 6L2	steel grey			
(1)	955 555 016 01	roof trim Cloth Discontinued part		1	PR: 3FU, 6NJ, 7X2, 7X8
	955 555 016 01 K90	Black			
	955 555 016 01 6K1	Sand beige			
	955 555 016 01 6L2	steel grey			
(1)	955 555 017 01	roof trim Alcantara		1	PR: 3FA, 6NN, 7X0, 7X9
	955 555 017 01 5E5	steel grey			
	955 555 017 01 5E6	Black			
	955 555 017 01 5G6	Sand beige			
(1)	955 555 018 01	roof trim Alcantara		1	PR: 3FA, 6NN, 7X2, 7X8
	955 555 018 01 5E5	steel grey			
	955 555 018 01 5E6	Black			
	955 555 018 01 5G6	Sand beige			
(1)	955 555 019 01	roof trim Alcantara Discontinued part		1	PR: 3FE, 7X0, 7X9
	955 555 019 01 5E5	steel grey			
	955 555 019 01 5E6	Black			
	955 555 019 01 5G6	Sand beige			
(1)	955 555 020 01	roof trim Alcantara Discontinued part		1	PR: 3FE, 7X2, 7X8
	955 555 020 01 5E5	steel grey			
	955 555 020 01 5E6	Black			
	955 555 020 01 5G6	Sand beige			
(1)	955 555 021 01	roof trim Alcantara Discontinued part		1	PR: 3FU, 6NN, 7X0, 7X9

Model: 9PA108 Model life 2007>>2010

Pos	Part Number	Description	Remark	Qty	Model
(1)	955 555 021 01 5E5	steel grey		1	PR: 3FU, 6NN, 7X2, 7X8
	955 555 021 01 5E6	Black			
	955 555 021 01 5G6	Sand beige			
	955 555 022 01	roof trim Alcantara Discontinued part			
2	955 555 022 01 5E5	steel grey		1	
	955 555 022 01 5E6	Black			
	955 555 022 01 5G6	Sand beige			
	955 555 607 00	Roof grab handle	left front		
(2)	955 555 607 00 9B9	Satin black		1	
	955 555 607 00 6C6	Sand beige			
	955 555 607 00 7A8	steel grey			
	955 555 608 00	Roof grab handle	right front		
3	955 555 608 00 9B9	Satin black		4	
	955 555 608 00 6C6	Sand beige			
	955 555 608 00 7A8	steel grey			
4	N 105 963 02	Oval hexagon socket head bolt M 5 X 25		4	
4	955 555 421 00	bracket for grab handle	left front	1	PR: 3FA, 3FE
(4)	955 555 422 00	bracket for grab handle	right front	1	PR: 3FA, 3FE
(4)	955 555 423 00	bracket for grab handle	left front	1	PR: 3FU
(4)	955 555 424 00	bracket for grab handle	right front	1	PR: 3FU
5	N 104 514 04	Hexagon socket flat head bolt M 6 X 16		8	
6	955 555 695 00	deformation element	left front	1	PR: 3FE, 3FU
(6)	955 555 696 00	deformation element	right front	1	PR: 3FE, 3FU
6	955 555 697 00	deformation element	left front	1	PR: 3FA
(6)	955 555 698 00	deformation element	right front	1	PR: 3FA
7	N 102 473 02	oval head panel screw ST 4,8 X 16		4	
8	955 555 677 00	Eye	left	1	PR: 3FA, 3FE
	955 555 677 00 9B9	Satin black			
	955 555 677 00 6C6	Sand beige			
	955 555 677 00 7A8	steel grey			
(8)	955 555 678 00	Eye	right	1	PR: 3FA, 3FE
(8)	955 555 678 00 9B9	Satin black		1	PR: 3FU
	955 555 678 00 6C6	Sand beige			
	955 555 678 00 7A8	steel grey			
	955 555 781 00	Eye	left		
(8)	955 555 781 00 9B9	Satin black		1	PR: 3FU
	955 555 781 00 6C6	Sand beige			
	955 555 781 00 7A8	steel grey			
	955 555 782 00	Eye	right		
9	955 555 782 00 9B9	Satin black		1	PR: 3FU
	955 555 782 00 6C6	Sand beige			
	955 555 782 00 7A8	steel grey			
	955 555 784 00	Spreader rivet Mount Eye			
10	955 555 784 00	Reading light see illustration:	rear 903-004	1	

Model: 9PA108 Model life 2007>>2010

Pos	Part Number	Description	Remark	Qty	Model
11	955 555 605 00	Roof grab handle	left rear	1	
	955 555 605 00 9B9	Satin black			
	955 555 605 00 6C6	Sand beige			
	955 555 605 00 7A8	steel grey			
(11)	955 555 606 00	Roof grab handle	right rear	1	
	955 555 606 00 9B9	Satin black			
	955 555 606 00 6C6	Sand beige			
	955 555 606 00 7A8	steel grey			
12	N 105 963 02	Oval hexagon socket head bolt M 5 X 25		4	
13	955 555 425 01	bracket for grab handle	left rear	1	PR: 3FA, 3FE
(13)	955 555 426 01	bracket for grab handle	right rear	1	PR: 3FA, 3FE
(13)	955 555 427 00	bracket for grab handle	left rear	1	PR: 3FU
(13)	955 555 428 00	bracket for grab handle	right rear	1	PR: 3FU
14	N 104 514 04	Hexagon socket flat head bolt M 6 X 16		8	
15	955 555 617 02	End trim	rear	1	PR: 6NJ, 6NL, 6NQ
		Cloth			
	955 555 617 02 K90	Black			
	955 555 617 02 6K1	Sand beige			
	955 555 617 02 6L2	steel grey			
(15)	955 555 618 03	End trim	rear	1	PR: 6NA, 6NF, 6NN
		Alcantara			
	955 555 618 03 5E5	steel grey			
	955 555 618 03 5E6	Black			
	955 555 618 03 5G6	Sand beige			
16	955 555 277 00	Retaining clip		2	
17	955 551 276 00	Retaining clip		9	
18	955 555 561 00	Cover frame		1	PR: 3FE
	955 555 561 00 01C	Satin black			
(18)	955 555 563 01	Cover frame		2	PR: 3FU
	955 555 563 01 A03	Black			
19		Parking aid	rear	1	
		see illustration:	906-000		
20		Console Roof		1	
		see illustration:	903-006		
21	955 803 069 02	Airbag unit	left	1	
21	955 803 070 02	Airbag unit	right	1	
-	N 908 074 07	Hex socket oval head collared M 5 X 18 for Mount Airbag unit		X	
(22)	955 555 525 02	Clip		15	PR: 3FE
22	955 555 615 00	Clip		2	PR: 3FU
		Cover frame			
23	955 555 663 00	Retaining clip roof trim		2	
24	955 555 071 00	Cover		1	PR: 3FU
		Control panel			
	955 555 071 00 9B9	Satin black			
	955 555 071 00 6C6	Sand beige			
	955 555 071 00 7A8	steel grey			

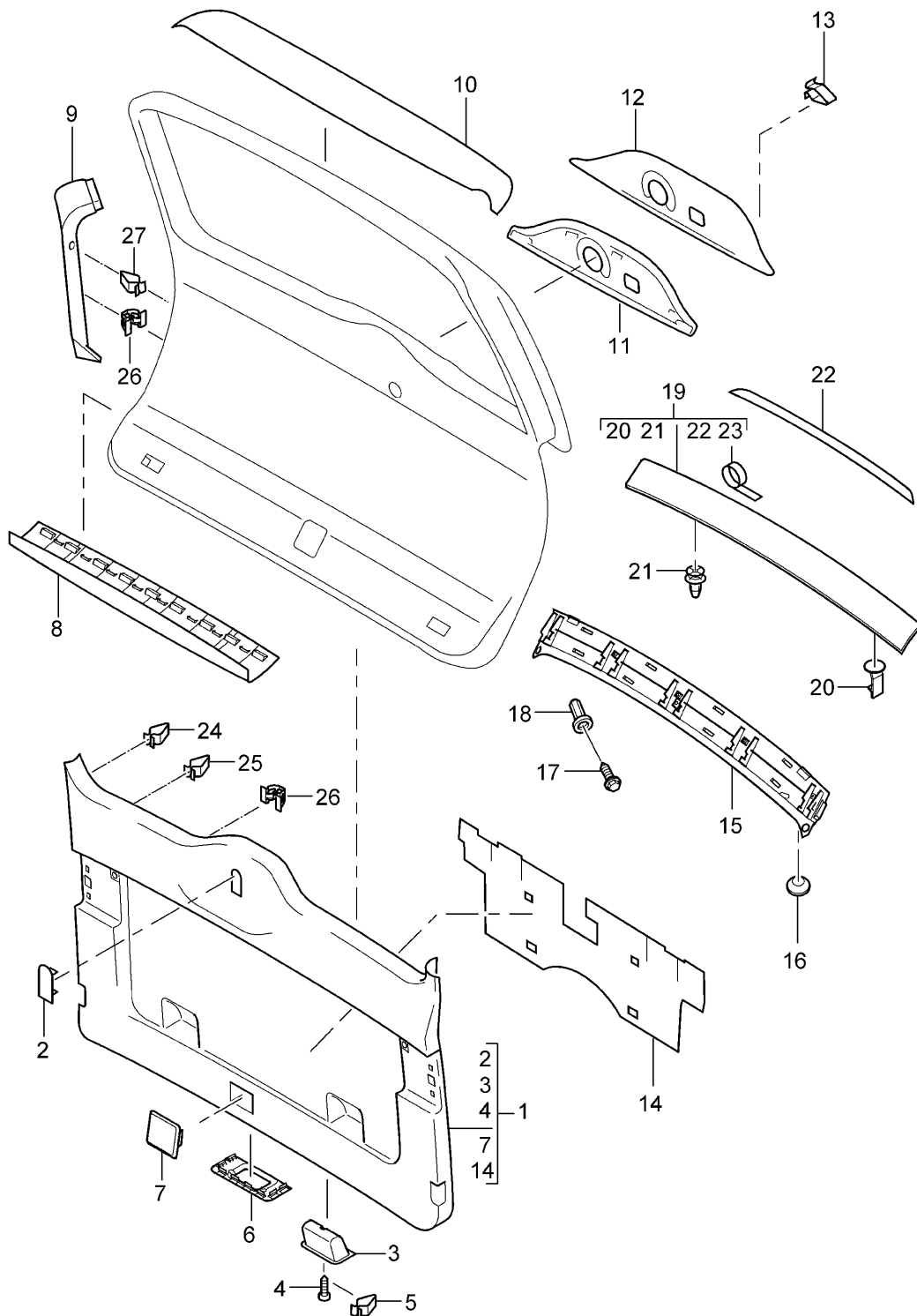
Model: 9PA108

Model life 2007>>2010

Pos	Part Number	Description	Remark	Qty	Model
25	955 555 283 01	Clip for Mount Cover Control panel		1	PR:3FU
26	955 555 633 00	Clip Mount roof trim		23	PR:3FU

Model: 9PA108

Model life 2007>>2010



Model: 9PA108

Model life 2007>>2010

Pos	Part Number	Description	Remark	Qty	Model
1	955 555 602 01	Linings Rear lid Rear lid trim panel Tufting velour D >> - MJ 2008		1	PR:3LD,4E0
	955 555 602 01 PCE	black/black			
	955 555 602 01 PCF	Stone grey/steel grey			
	955 555 602 01 PCG	Havanna/sand beige			
1	955 555 602 02	Rear lid trim panel Tufting velour D >> - MJ 2008		1	PR:3LD,4E7
	955 555 602 02 PCE	black/black			
	955 555 602 02 PCF	Stone grey/steel grey			
	955 555 602 02 PCG	Havanna/sand beige			
1	955 555 602 01	Rear lid trim panel D - MJ 2009>>		1	PR:4E0
	955 555 602 01 PCE	black/black			
	955 555 602 01 PCF	Stone grey/steel grey			
	955 555 602 01 PCG	Havanna/sand beige			
	955 555 602 01 ZPQ	chestnut brown			
	955 555 602 01 ZPS	Sand beige/sand beige			
1	955 555 602 02	Rear lid trim panel D - MJ 2009>>		1	PR:4E7
	955 555 602 02 PCE	black/black			
	955 555 602 02 PCF	Stone grey/steel grey			
	955 555 602 02 PCG	Havanna/sand beige			
	955 555 602 02 ZPQ	chestnut brown			
	955 555 602 02 ZPS	Sand beige/sand beige			
(1)	955 555 603 01	Rear lid trim panel Pearl velour D >> - MJ 2008		1	PR:3LH,3LM, 3LS,4E0
	955 555 603 01 PCJ	black/black			
	955 555 603 01 PCK	Stone grey/steel grey			
	955 555 603 01 PCL	Havanna/sand beige			
	955 555 603 01 RKS	Sand beige/sand beige			
	955 555 603 01 WPG	chestnut brown			
(1)	955 555 603 02	Rear lid trim panel Pearl velour D >> - MJ 2008		1	PR:3LH,3LM, 3LS,4E7
	955 555 603 02 PCJ	black/black			
	955 555 603 02 PCK	Stone grey/steel grey			
	955 555 603 02 PCL	Havanna/sand beige			
	955 555 603 02 RKS	Sand beige/sand beige			
	955 555 603 02 WPG	chestnut brown			
2	955 555 140 00	Cover cap Emergency operation		1	
	955 555 140 00 A03	Black			
	955 555 140 00 5V7	Stone grey			
	955 555 140 00 5Y9	Havanna			
	955 555 140 00 5Z1	Sand beige			
3	955 555 593 00	Handle shell		1	
	955 555 593 00 9B9	Satin black			
4	N 104 571 01	oval head panel screw (combi) ST 4,2 X 13,0 Mount		3	
		Handle shell			
5	N 905 410 01	expanding nut CST 4,2 X 7,3 Mount		3	
		Handle shell			
6	955 555 520 00	cover - lock		1	

Model: 9PA108 Model life 2007>>2010

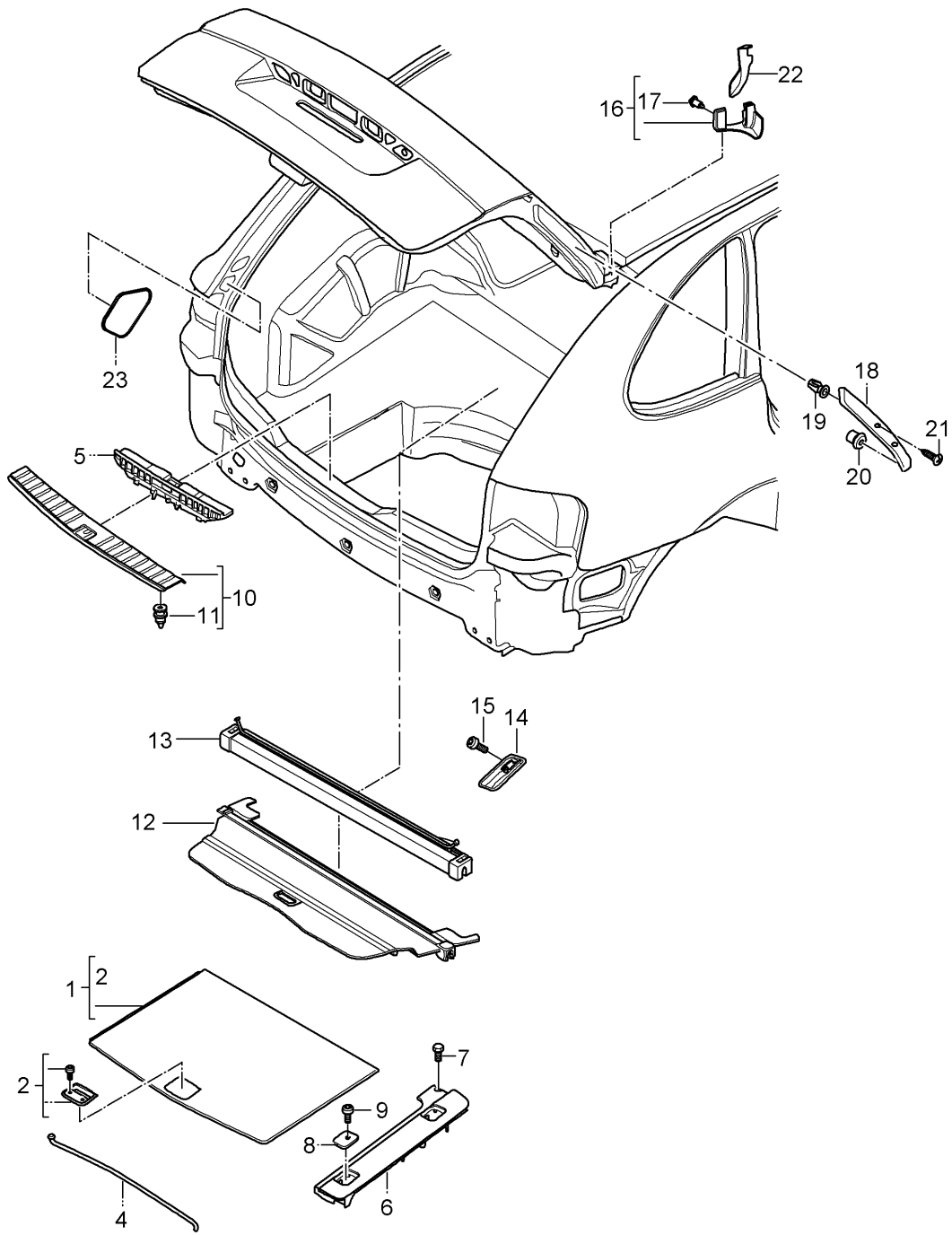
Pos	Part Number	Description	Remark	Qty	Model
7	955 555 520 00 9B9	Rear lid lock Satin black		1	
	955 555 747 00	Cover Emergency operation			
	955 555 747 00 9B9	Satin black			
	955 555 747 00 6C6	Sand beige			
8	955 555 747 00 7A8	steel grey		1	
	955 555 685 01	Rear lid trim panel	upper inner		
	955 555 685 01 A03	Black			
	955 555 685 01 7BA	steel grey			
9	955 555 685 01 5Z1	Sand beige		1	
	955 555 671 01	Rear lid trim panel	left side inner		
	955 555 671 01 A03	Black			
	955 555 671 01 7BA	steel grey			
(9)	955 555 671 01 5Z1	Sand beige		1	
	955 555 672 01	Rear lid trim panel	right side inner		
	955 555 672 01 A03	Black			
	955 555 672 01 7BA	steel grey			
10	955 555 672 01 5Z1	Sand beige		1	
	955 555 609 02	Rear lid trim panel	upper outer		
	955 555 609 02 9B9	Satin black			
	955 555 827 00	Cover for wiper motor			
11	955 555 827 00 A03	Black		1	
	955 555 827 00 5V7	Stone grey			
	955 555 827 00 5Y9	Havanna			
	955 555 827 00 5Z1	Sand beige			
	955 555 829 00	Cover panel Rear window wiper			
	955 555 829 00 A03	Black			
12	955 555 829 00 5V7	Stone grey		1	
	955 555 829 00 5Y9	Havanna			
	955 555 829 00 5Z1	Sand beige			
	955 555 646 00	Retaining clip			
13	955 555 646 00	Cover Wiper motor		2	
	955 556 591 00	Damping			
14	955 556 591 00	Rear lid		1	
15	955 555 843 03	Bracket Trim		1	PR:7X0,7X2
	955 555 843 03 9B9	Satin black			
(15)	955 555 844 00	Bracket Trim		1	PR:7X8,7X9
	955 555 844 00 9B9	Satin black			
16	955 559 363 01	Cover cap for Rear window		2	
	955 559 363 01 9B9	Satin black			
17	N 908 479 03	hexagon head bolt (combi) M 6 X 15		5	
18	N 908 051 02	rivettted cap nut for Bracket		5	
	955 555 365 01	Trim Rear lid			
19	955 555 365 01	Trim strip for tailgate High gloss		1	PR:1G1,1G8, 7X0,7X2

Model: 9PA108 Model life 2007>>2010

Pos	Part Number	Description	Remark	Qty	Model
(19)	955 555 366 01	Black Trim strip for tailgate		1	PR:1G3,7X0, 7X2
(19)	955 555 367 00	High gloss Black Decorative trim for lid (complete) High gloss		1	PR:7X8,7X9
20	955 555 825 00	Black Clip Anti-theft protection Trim	left	1	PR:7X0,7X2
(20)	955 555 826 00	Rear lid Clip Anti-theft protection Trim	right	1	PR:7X0,7X2
21	955 555 794 00	Rear lid Retaining clip Trim		6	
(22)	955 555 910 01	Rear lid Trim Upper part High gloss Black		1	PR:QJ4,7X0, 7X2,7X8,7X9
23	955 555 045 00	Double-sided adhesive tape		2	PR:7X2,7X8, 7X9
24	955 555 278 00	Retaining clip Rear lid		8	
25	955 555 279 00	Retaining clip Rear lid		3	
26	955 555 208 00	Clamp Mount Rear lid		4	
27	955 555 276 00	Retaining clip for Trim Rear lid	side	2	

Model: 9PA108

Model life 2007>>2010



Model: 9PA108 Model life 2007>>2010

Pos	Part Number	Description	Remark	Qty	Model
1	955 551 146 01	Linings Luggage compartment Accessories Spare wheel covering		1	PR: 3GE, 3GN, 3ME, 9AB, 9AD
		Tufting velour D >> - MJ 2008			
	955 551 146 01 7H1	Black			
	955 551 146 01 7J2	steel grey			
	955 551 146 01 7K3	Sand beige			
	955 551 146 01 AV1	chestnut brown			
(1)	955 551 148 01	Spare wheel covering		1	PR: 3GE, 3GN, 3ME, 9AH
		Tufting velour D >> - MJ 2008			
	955 551 148 01 7H1	Black			
	955 551 148 01 7J2	steel grey			
	955 551 148 01 7K3	Sand beige			
	955 551 148 01 AV1	chestnut brown			
(1)	955 551 146 02	Spare wheel covering		1	PR: 1G1, 1G3, 1G8, 3GE, 3GN, 3ME, 9AB, 9AD
		Tufting velour D - MJ 2009>>			
	955 551 146 02 7H1	Black			
	955 551 146 02 7J2	steel grey			
	955 551 146 02 7K3	Sand beige			
	955 551 146 02 AV1	chestnut brown			
(1)	955 551 146 03	Spare wheel covering		1	PR: 1G4, 3GE, 3GN, 3ME, 9AB, 9AD
		Tufting velour D - MJ 2009>>			
	955 551 146 03 7H1	Black			
	955 551 146 03 7J2	steel grey			
	955 551 146 03 7K3	Sand beige			
	955 551 146 03 AV1	chestnut brown			
(1)	955 551 148 02	Spare wheel covering		1	PR: 1G1, 1G3, 1G8, 3GE, 3GN, 3ME, 9AH
		Tufting velour D - MJ 2009>>			
	955 551 148 02 7H1	Black			
	955 551 148 02 7J2	steel grey			
	955 551 148 02 7K3	Sand beige			
	955 551 148 02 AV1	chestnut brown			
(1)	955 551 148 03	Spare wheel covering		1	PR: 1G4, 3GE, 3GN, 3ME, 9AH
		Tufting velour D - MJ 2009>>			
	955 551 148 03 7H1	Black			
	955 551 148 03 7J2	steel grey			
	955 551 148 03 7K3	Sand beige			
	955 551 148 03 AV1	chestnut brown			
(1)	955 551 147 01	Spare wheel covering		1	PR: 3GE, 3GN, 3MT, 9AB, 9AD
		Pearl velour D >> - MJ 2008			
	955 551 147 01 L63	chestnut brown			
	955 551 147 01 8B2	Black			
	955 551 147 01 8C3	steel grey			
	955 551 147 01 8D4	Sand beige			
(1)	955 551 149 01	Spare wheel covering		1	PR: 3GE, 3GN, 3MT, 9AH

Model: 9PA108 Model life 2007>>2010

Pos	Part Number	Description	Remark	Qty	Model
		Pearl velour D >> - MJ 2008			
	955 551 149 01 L63	chestnut brown			
	955 551 149 01 8B2	Black			
	955 551 149 01 8C3	steel grey			
	955 551 149 01 8D4	Sand beige			
2	955 551 115 00	handle Spare wheel covering (complete)		1	
	955 551 115 00 9B9	Satin black			
	955 551 115 00 6C6	Sand beige			
	955 551 115 00 7A8	steel grey			
4	955 551 195 00	Flap support for Spare wheel covering		1	PR:1G1,1G3, 1G8
5	955 551 225 01	Bracket for Locking mechanism		1	
6	955 551 527 00	Spare wheel covering shelf Luggage compartment Tufting velour	left	1	PR:3GE,3ME, 9AB,9AD
	955 551 527 00 7H1	Black			
	955 551 527 00 7J2	steel grey			
	955 551 527 00 7K3	Sand beige			
	955 551 527 00 AV1	chestnut brown			
(6)	955 551 531 00	D - MJ 2009>> shelf Luggage compartment Tufting velour	left	1	PR:3GE,3ME, 9AH
	955 551 531 00 7H1	Black			
	955 551 531 00 7J2	steel grey			
	955 551 531 00 7K3	Sand beige			
	955 551 531 00 AV1	chestnut brown			
(6)	955 551 528 00	D - MJ 2009>> shelf Luggage compartment Tufting velour	right	1	PR:3GE,3ME
	955 551 528 00 7H1	Black			
	955 551 528 00 7J2	steel grey			
	955 551 528 00 7K3	Sand beige			
	955 551 528 00 AV1	chestnut brown			
(6)	955 551 529 00	D - MJ 2009>> shelf Luggage compartment	left	1	PR:3GE,3MT, 9AB,9AD
		Pearl velour D >> - MJ 2008			
	955 551 529 00 L63	chestnut brown			
	955 551 529 00 8B2	Black			
	955 551 529 00 8C3	steel grey			
	955 551 529 00 8D4	Sand beige			
(6)	955 551 533 00	shelf Luggage compartment Pearl velour D >> - MJ 2008	left	1	PR:3GE,9AH, 3MT
	955 551 533 00 L63	chestnut brown			
	955 551 533 00 8B2	Black			
	955 551 533 00 8C3	steel grey			
	955 551 533 00 8D4	Sand beige			
(6)	955 551 530 00	shelf Luggage compartment	right	1	PR:3GE,3MT

Model: 9PA108 Model life 2007>>2010

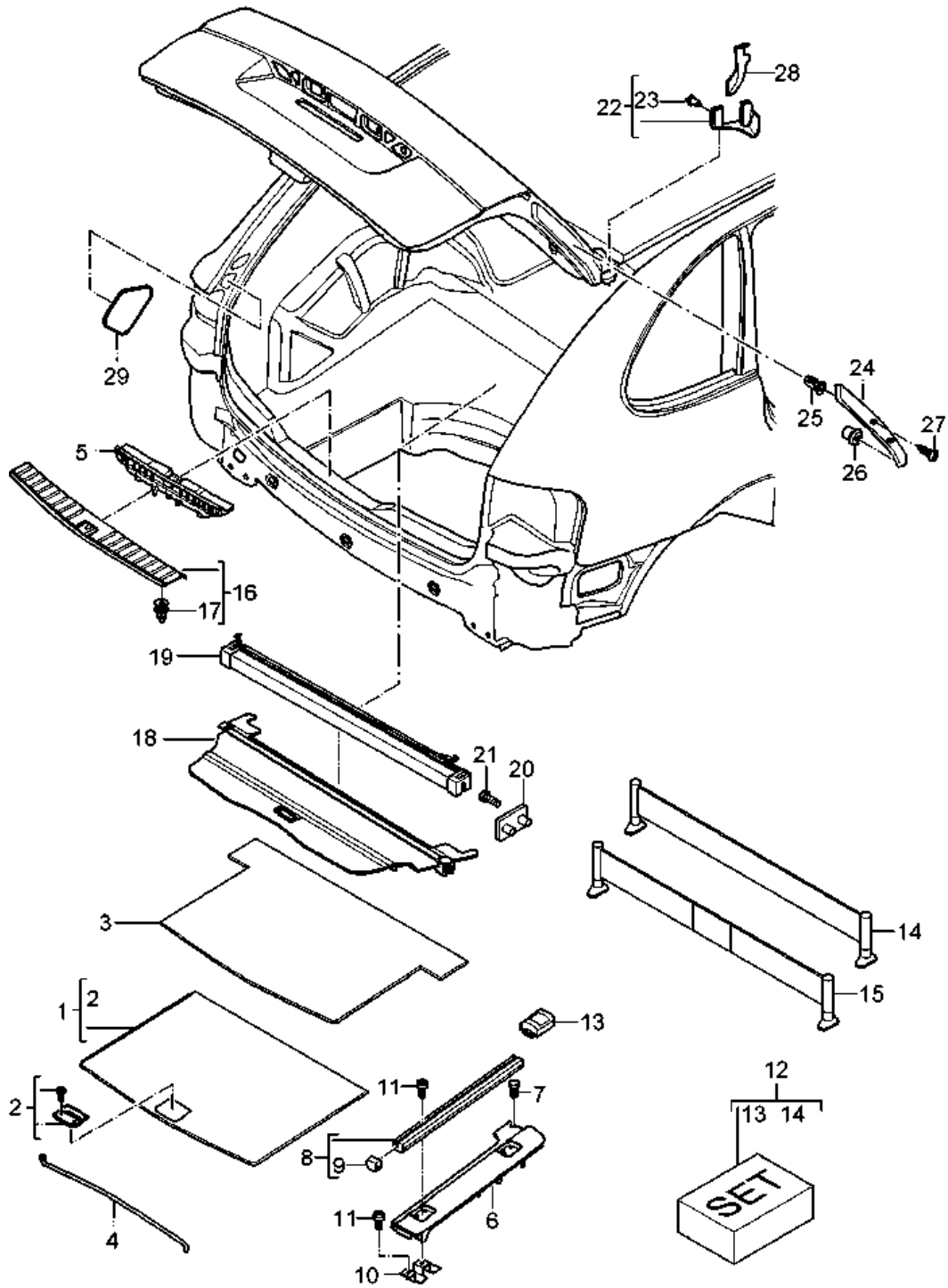
Pos	Part Number	Description	Remark	Qty	Model
		Pearl velour D >> - MJ 2008			
	955 551 530 00 L63	chestnut brown			
	955 551 530 00 8B2	Black			
	955 551 530 00 8C3	steel grey			
	955 551 530 00 8D4	Sand beige			
7	N 090 232 4	bolt,hex.hd.with shoul.(combi) M 6 X 10 Mount shelf		2	
8	955 551 203 00	Luggage compartment Eye		4	PR:3GE
	955 551 203 00 2ZZ	Luggage compartment chrome			
9	N 105 559 02	Hex socket countersunk bolt M 6 X 40 Mount Eye		8	
10	955 551 459 03	Luggage compartment Cover for lock carrier		1	
	955 551 459 03 6M7	stainless steel			
11	955 551 689 02	Retaining clip for Cover lock carrier		4	
12	955 551 773 05	cover for luggage boot		1	PR:3CX
	955 551 773 05 6R5	Havanna			
	955 551 773 05 6S4	Stone grey			
	955 551 773 05 9ET	Black			
	955 551 773 05 4R9	Sand beige			
(12)	955 551 774 00	cover for luggage boot		1	PR:3CA
	955 551 774 00 6R5	Havanna			
	955 551 774 00 6S4	Stone grey			
	955 551 774 00 9ET	Black			
	955 551 774 00 4R9	Sand beige			
13	955 551 691 03	Net Luggage compartment		1	PR:3CX
	955 551 691 03 3W4	Black			
14	955 551 812 00	Support section Net		2	
15	N 106 068 02	countersunk multi-point socket head bolt M6 X 25 for Mount Support section Net		4	
16	955 551 627 01	Trim Hinge Cover	left	1	
	955 551 627 01 9B9	Satin black			
(16)	955 551 628 00	Trim Hinge Cover	right	1	
	955 551 628 00 9B9	Satin black			
17	955 551 207 00	Retaining clip Trim Hinge Cover		2	
	955 551 207 00 9B9	Satin black			
18	955 551 711 01	Trim Hinge Cable cover	left	1	

Model: 9PA108 Model life 2007>>2010

Pos	Part Number	Description	Remark	Qty	Model
(18)	955 551 711 01 9B9 955 551 712 01	Satin black Trim Hinge Cable cover	right	1	
19	955 551 712 01 9B9 N 105 168 01	Satin black expanding nut F 5 X 14,4 Mount Cable cover	outer	4	
20	955 551 741 01	clamping piece for Cable cover	outer	2	
21	N 104 472 01	Hexagon socket oval head panel bolt (combi) ST 4,8 X13 Mount Cable cover	outer	4	
22	955 551 713 00	Trim Hinge Cable cover	left inner	1	
(22)	955 551 713 00 9B9 955 551 714 00	Satin black Trim Hinge Cable cover	right inner	1	
23	955 551 714 00 9B9 955 551 353 01	Satin black Cover Sealing channel		1	PR:1G1,1G8
(23)	955 551 353 01 9B9 955 551 335 01	Satin black Sticky pad		3	PR:1G1,1G8

Model: 9PA108

Model life 2007>>2010



Model: 9PA108 Model life 2007>>2010

Pos	Part Number	Description	Remark	Qty	Model
1	955 551 146 01	Linings Luggage compartment Accessories with: Loadspace system Spare wheel covering		1	PR: 3GE, 3GN, 3ME, 9AB, 9AD
		Tufting velour D >> - MJ 2008			
	955 551 146 01 7H1	Black			
	955 551 146 01 7J2	steel grey			
	955 551 146 01 7K3	Sand beige			
(1)	955 551 148 01	Spare wheel covering		1	PR: 3GE, 3GN, 3ME, 9AH
		Tufting velour D >> - MJ 2008			
	955 551 148 01 7H1	Black			
	955 551 148 01 7J2	steel grey			
	955 551 148 01 7K3	Sand beige			
(1)	955 551 146 02	Spare wheel covering		1	PR: 1G1, 1G3, 1G8, 3GE, 3GN, 3ME, 9AB, 9AD
		Tufting velour D - MJ 2009>>			
	955 551 146 02 7H1	Black			
	955 551 146 02 7J2	steel grey			
	955 551 146 02 7K3	Sand beige			
	955 551 146 02 AV1	chestnut brown			
(1)	955 551 146 03	Spare wheel covering		1	PR: 1G4, 3GE, 3GN, 3ME, 9AB, 9AD
		Tufting velour D - MJ 2009>>			
	955 551 146 03 7H1	Black			
	955 551 146 03 7J2	steel grey			
	955 551 146 03 7K3	Sand beige			
	955 551 146 03 AV1	chestnut brown			
(1)	955 551 148 02	Spare wheel covering		1	PR: 1G1, 1G3, 1G8, 3GE, 3GN, 3ME, 9AH
		Tufting velour D - MJ 2009>>			
	955 551 148 02 7H1	Black			
	955 551 148 02 7J2	steel grey			
	955 551 148 02 7K3	Sand beige			
	955 551 148 02 AV1	chestnut brown			
(1)	955 551 148 03	Spare wheel covering		1	PR: 1G4, 3GE, 3GN, 3ME, 9AH
		Tufting velour D - MJ 2009>>			
	955 551 148 03 7H1	Black			
	955 551 148 03 7J2	steel grey			
	955 551 148 03 7K3	Sand beige			
	955 551 148 03 AV1	chestnut brown			
(1)	955 551 147 01	Spare wheel covering		1	PR: 3GE, 3GN, 3MT, 9AB, 9AD
		Pearl velour D >> - MJ 2008			
	955 551 147 01 L63	chestnut brown			
	955 551 147 01 8B2	Black			
	955 551 147 01 8C3	steel grey			
	955 551 147 01 8D4	Sand beige			
(1)	955 551 149 01	Spare wheel covering		1	PR: 3GE, 3GN, 3MT, 9AH

Model: 9PA108

Model life 2007>>2010

Pos	Part Number	Description	Remark	Qty	Model
		Pearl velour			
		D >> - MJ 2008			
	955 551 149 01 L63	chestnut brown			
	955 551 149 01 8B2	Black			
	955 551 149 01 8C3	steel grey			
	955 551 149 01 8D4	Sand beige			
2	955 551 115 00	handle		1	
		Spare wheel covering (complete)			
	955 551 115 00 9B9	Satin black			
	955 551 115 00 6C6	Sand beige			
	955 551 115 00 7A8	steel grey			
3	955 551 145 00	Insert		1	PR:3GN
		Carpet			
		D >> - MJ 2008			
	955 551 145 00 L63	chestnut brown			
	955 551 145 00 8B2	Black			
	955 551 145 00 8C3	steel grey			
	955 551 145 00 8D4	Sand beige			
3	955 551 145 02	Insert		1	PR:3GN
		Carpet			
		D - MJ 2009>> - MJ 2009			
	955 551 145 02 CR1	steel grey			
	955 551 145 02 CS2	Sand beige			
	955 551 145 02 CT3	chestnut brown			
	955 551 145 02 CU4	Black			
3	955 551 145 02	Insert		1	PR:3GN,E0A,E0W,E2D,E8A,E81
		Carpet			
		D - MJ 2010>>			
	955 551 145 02 CR1	steel grey			
	955 551 145 02 CS2	Sand beige			
	955 551 145 02 CT3	chestnut brown			
	955 551 145 02 CU4	Black			
3	955 551 146 00	Insert		1	PR:3GN,E1T
		Carpet			
		D - MJ 2010>>			
	955 551 146 00 L0D	Black			
4	955 551 195 00	Flap support		1	PR:1G1,1G3,1G8
		for			
		Spare wheel covering			
5	955 551 225 01	Bracket		1	
		for			
		Locking mechanism			
		Spare wheel covering			
6	955 551 527 03	shelf	left	1	PR:3GN,3ME,9AB,9AD
		Luggage compartment			
		Tufting velour			
	955 551 527 03 7H1	Black			
	955 551 527 03 7J2	steel grey			
	955 551 527 03 7K3	Sand beige			
	955 551 527 03 AV1	chestnut brown			
(6)	955 551 531 03	D - MJ 2009>>	left	1	PR:3GN,3ME,9AH
		shelf			
		Luggage compartment			
		Tufting velour			
	955 551 531 03 7H1	Black			
	955 551 531 03 7J2	steel grey			
	955 551 531 03 7K3	Sand beige			
	955 551 531 03 AV1	chestnut brown			
(6)	955 551 528 04	D - MJ 2009>>	right	1	PR:3GN,3ME
		shelf			
		Luggage compartment			

Model: 9PA108 Model life 2007>>2010

Pos	Part Number	Description	Remark	Qty	Model
	955 551 528 04 7H1	Tufting velour Black			
	955 551 528 04 7J2	steel grey			
	955 551 528 04 7K3	Sand beige			
	955 551 528 04 AV1	chestnut brown			
(6)	955 551 529 03	D - MJ 2009>> shelf	left	1	PR: 3GN, 3MT, 9AB, 9AD
		Luggage compartment Pearl velour			
		D >> - MJ 2008			
	955 551 529 03 L63	chestnut brown			
	955 551 529 03 8B2	Black			
	955 551 529 03 8C3	steel grey			
	955 551 529 03 8D4	Sand beige			
(6)	955 551 533 03	shelf	left	1	PR: 3GN, 9AH, 3MT
		Luggage compartment Pearl velour			
		D >> - MJ 2008			
	955 551 533 03 L63	chestnut brown			
	955 551 533 03 8B2	Black			
	955 551 533 03 8C3	steel grey			
	955 551 533 03 8D4	Sand beige			
(6)	955 551 530 04	shelf	right	1	PR: 3GN, 3MT
		Luggage compartment Pearl velour			
		D >> - MJ 2008			
	955 551 530 04 L63	chestnut brown			
	955 551 530 04 8B2	Black			
	955 551 530 04 8C3	steel grey			
	955 551 530 04 8D4	Sand beige			
7	N 090 232 4	bolt, hex. hd. with shoul. (combi) M 6 X 10 Mount shelf		2	
		Luggage compartment			
8	955 551 555 01	retaining rail	left	14	PR: 3GN
(8)	955 551 556 01	retaining rail	right	14	PR: 3GN
		Loadspace system			
9	955 551 509 00	Cover cap retaining rail	left front	1	PR: 3GN
	955 551 509 00 01C	Satin black			
(9)	955 551 510 00	Cover cap retaining rail	right front	18	PR: 3GN
	955 551 510 00 01C	Satin black			
(9)	955 551 521 01	Cover cap retaining rail	left rear	1	PR: 3GN
	955 551 521 01 01C	Satin black			
(9)	955 551 522 01	Cover cap retaining rail	right rear	1	PR: 3GN
	955 551 522 01 01C	Satin black			
10	955 551 615 00	Bracket retaining rail		2	PR: 3GN
11	N 106 174 02	Hexagon socket head bolt M6 X 16		X	PR: 3GN
12	955 551 504 00	Pocket Loadspace system		1	PR: 3GN
13	955 551 539 00	Eye Luggage compartment		4	PR: 3GN
14	955 551 378 01	roller blind		1	PR: 3GN
15	955 551 377 01	Telescopic rod Discontinued part		1	PR: 3GN

Model: 9PA108

Model life 2007>>2010

Pos	Part Number	Description	Remark	Qty	Model
16	955 551 459 03	Cover for lock carrier		1	
	955 551 459 03 6M7	stainless steel			
17	955 551 689 02	Retaining clip for Cover lock carrier		4	
18	955 551 773 05	cover for luggage boot		1	PR:3CX
	955 551 773 05 6R5	Havanna			
	955 551 773 05 6S4	Stone grey			
	955 551 773 05 9ET	Black			
	955 551 773 05 4R9	Sand beige			
(18)	955 551 774 00	cover for luggage boot		1	PR:3CA
	955 551 774 00 6R5	Havanna			
	955 551 774 00 6S4	Stone grey			
	955 551 774 00 9ET	Black			
	955 551 774 00 4R9	Sand beige			
19	955 551 691 03	Net Luggage compartment		1	PR:3CX
	955 551 691 03 3W4	Black			
20	955 551 812 00	Support section Net		2	
21	N 106 068 02	countersunk multi-point socket head bolt M6 X 25 for Mount Support section Net		4	
22	955 551 627 01	Trim Hinge Cover	left	1	
	955 551 627 01 9B9	Satin black			
(22)	955 551 628 00	Trim Hinge Cover	right	1	
	955 551 628 00 9B9	Satin black			
23	955 551 207 00	Retaining clip Trim Hinge Cover		2	
	955 551 207 00 9B9	Satin black			
24	955 551 711 01	Trim Hinge Cable cover	left	1	
	955 551 711 01 9B9	Satin black			
(24)	955 551 712 01	Trim Hinge Cable cover	right	1	
	955 551 712 01 9B9	Satin black			
25	N 105 168 01	expanding nut F 5 X 14,4 Mount Cable cover	outer	4	
26	955 551 741 01	clamping piece for Cable cover	outer	2	
27	N 104 472 01	Hexagon socket oval head panel bolt (combi) ST 4,8 X13 Mount Cable cover	outer	4	
28	955 551 713 00	Trim Hinge	left inner	1	

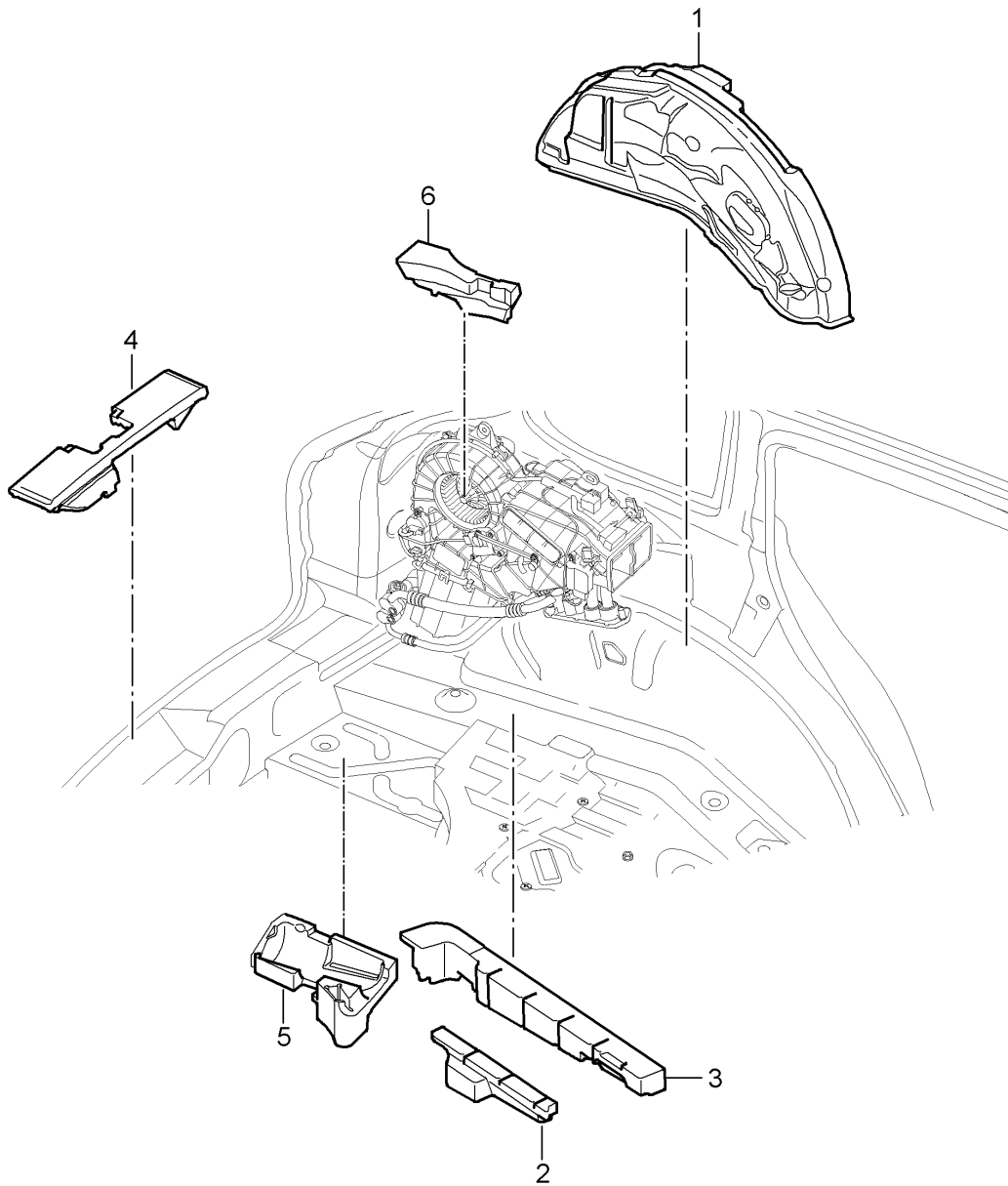
Model: 9PA108

Model life 2007>>2010

Pos	Part Number	Description	Remark	Qty	Model
(28)	955 551 713 00 9B9 955 551 714 00	Cable cover Satin black Trim Hinge	right inner	1	
29	955 551 714 00 9B9 955 551 353 01	Cable cover Satin black Cover Sealing channel		1	PR:1G1,1G8
(29)	955 551 353 01 9B9 955 551 335 01	Satin black Sticky pad		3	PR:1G1,1G8

Model: 9PA108

Model life 2007>>2010



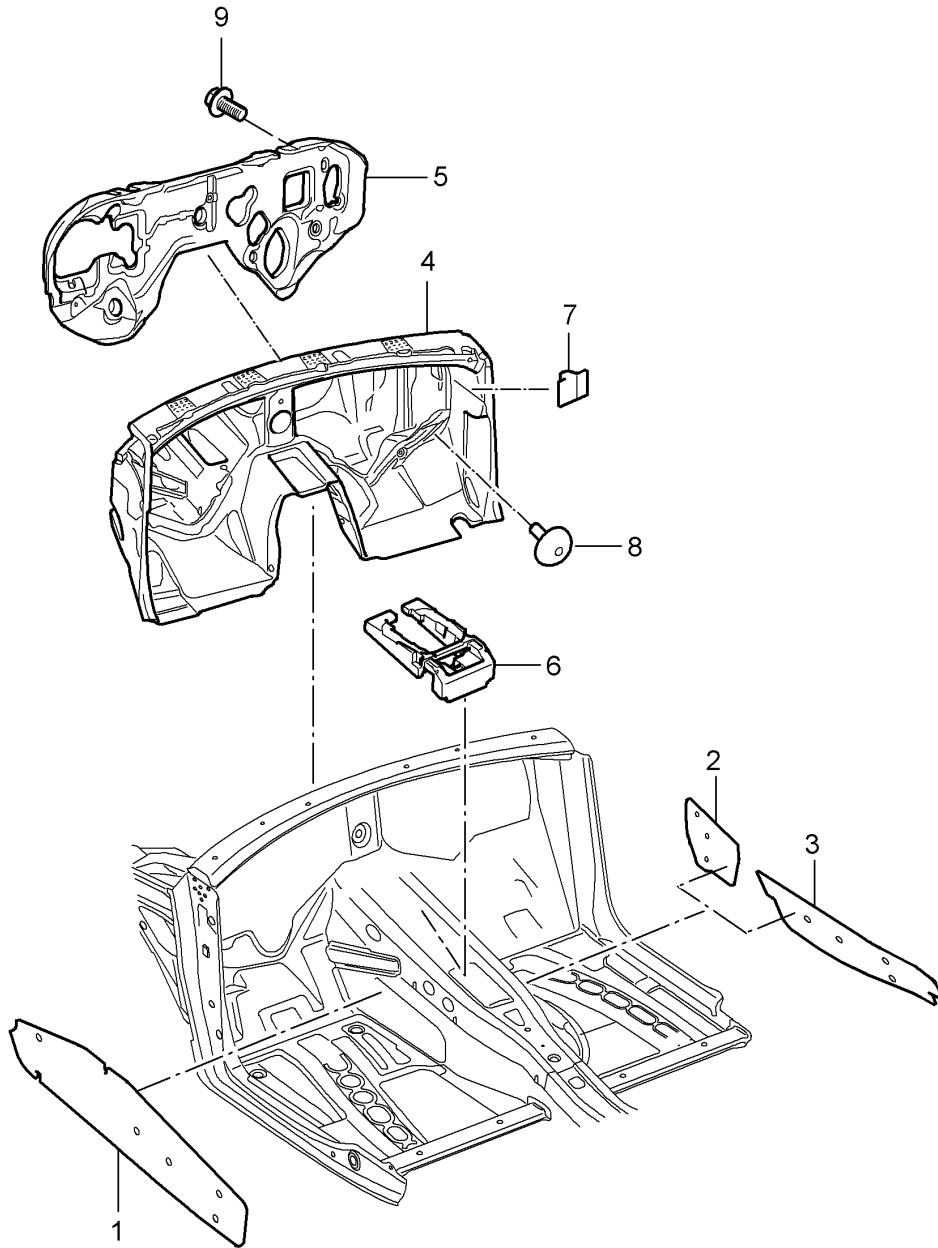
Model: 9PA108

Model life 2007>>2010

Pos	Part Number	Description	Remark	Qty	Model
1	955 556 607 03	Sound absorber Luggage compartment sound absorb.for wheel housing	left	1	PR:9AH
(1)	955 556 611 02	sound absorb.for wheel housing	left	1	PR:9AB,9AD
(1)	955 556 608 02	sound absorb.for wheel housing	right	1	PR:3W4,3W7
2	955 556 743 01	Damping Luggage compartment Floor	left inner	1	PR:3GE
(2)	955 556 744 01	Damping Luggage compartment Floor	right inner	1	PR:3GE
3	955 556 801 01	Damping Luggage compartment Floor	left outer	1	PR:3GE
(3)	955 556 802 01	Damping Luggage compartment Floor	right outer	1	PR:3GE
(3)	955 556 421 00	Damping Luggage compartment Floor	outer	1	PR:3GN
4	955 556 809 00	sound absorb. for cross member		1	
5	955 556 895 02	Damping Spare wheel well	left	1	
6	955 556 233 01	Damping for heat exchanger	left	1	PR:9AH

Model: 9PA108

Model life 2007>>2010

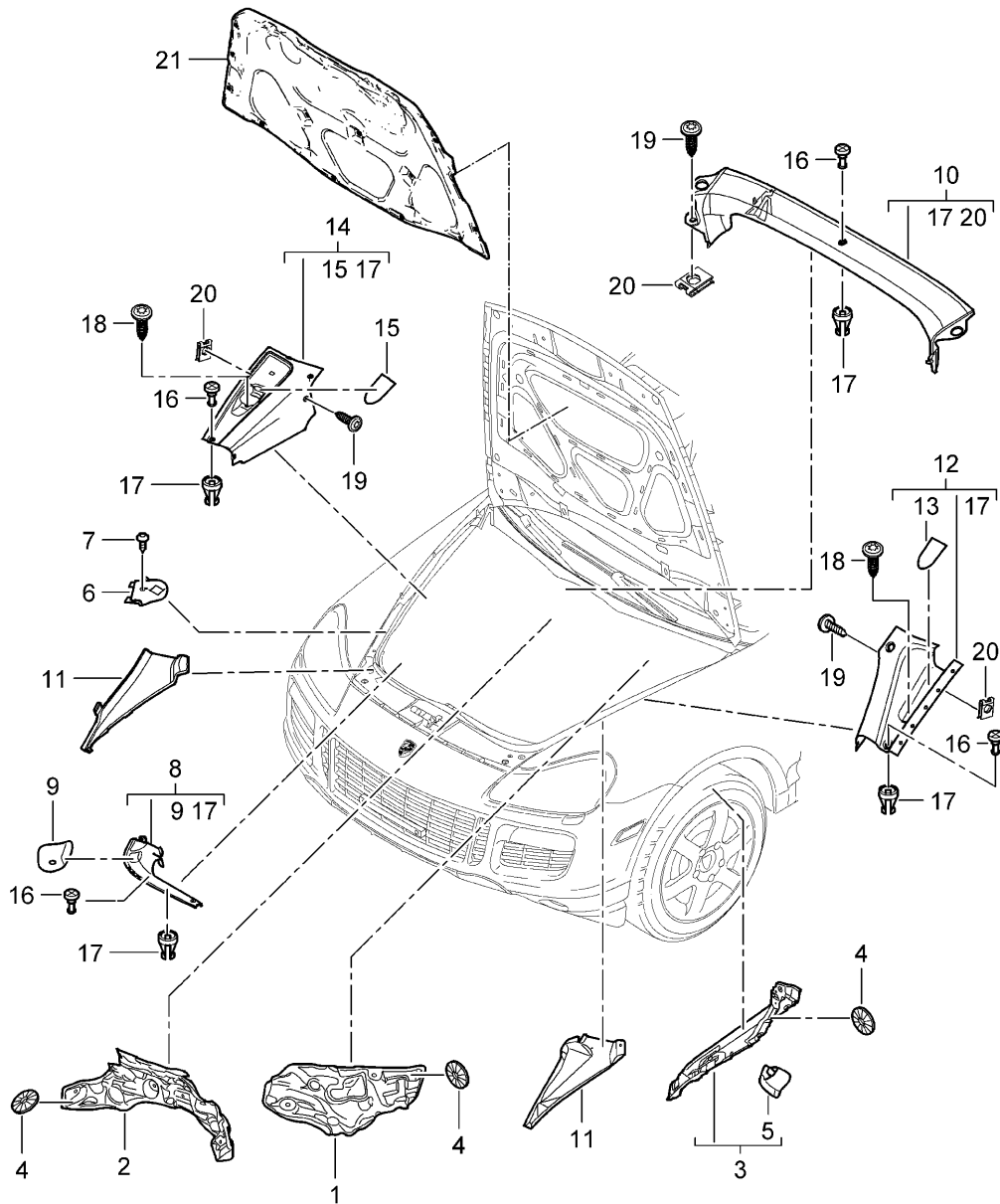


Model: 9PA108 Model life 2007>>2010

Pos	Part Number	Description	Remark	Qty	Model
1	955 556 815 00	Sound absorber Passenger compartment Sound absorber tunnel	left	1	
2	955 556 816 00	Sound absorber tunnel	right front	1	
3	955 556 818 00	Sound absorber tunnel	right rear	1	
(4)	955 556 623 02	Damping for cowl	lhd	1	PR:LOL
(4)	955 556 624 02	Damping for cowl	rhd	1	PR:LOR
5	955 556 595 01	Damping	lhd	1	PR:LOL
		with:			
(5)	955 556 596 01	Assembly plate Damping	rhd	1	PR:LOR
		with:			
6	955 556 531 01	Assembly plate Damping Shift gate		1	PR:GOL
(6)	955 556 532 01	Damping Shift gate		1	PR:GOR
7	955 556 761 00	Bracket Damping		X	
8	955 556 761 00 01C 955 556 760 00	Satin black Retaining clip Damping Firewall		X	
9	955 556 760 00 01C N 905 483 05	Black Hex collared bolt M 8 x 20 for Mount Damping Assembly plate		X	

Model: 9PA108

Model life 2007>>2010



Model: 9PA108 Model life 2007>>2010

Pos	Part Number	Description	Remark	Qty	Model
1	955 556 715 01	Sound absorber Trim Engine bay sound absorber for water box	left	1	
(1)	955 556 716 00	Engine bay sound absorber for water box	right	1	
2	955 556 720 01	Engine bay sound absorber for water box	center	1	
3	955 556 725 02	Engine bay Damper for tunnel	left	1	PR:-D5V, -D5Z,-D50, -D5X
(3)	955 556 726 00	Engine bay Damper for tunnel	right	1	PR:D5V,D5Z, D50
(3)	955 556 726 01	Engine bay Damper for tunnel	right	1	PR:D5X
4	N 903 350 05	Engine bay Clamping washer 5 X 30 Mount Damping		X	
5	955 556 761 00	Engine bay Bracket Damping		X	
6	955 556 761 00 01C	Satin black			
(6)	955 504 115 00	Retainer for cover	left	1	
	955 504 116 00	Retainer for cover	right	1	
7	N 909 855 01	countersunk multi-point socket head bolt 5 X 12 Mount Bracket Cover Engine bay		1	
8	955 504 283 00	Cover	left front	1	PR:D5V,D5X
8	955 504 283 00 9B9	Satin black			
	955 504 285 00	Cover	left front	1	PR:D5Z
(8)	955 504 285 00 9B9	Satin black			
	955 504 284 00	Cover	right front	1	PR:D5V
(8)	955 504 284 00 9B9	Satin black			
	955 504 286 00	Cover	right front	1	PR:D5X,D5Z
9	955 504 286 00 9B9	Satin black			
	955 504 311 00	Cover	left side	1	PR:D5V,D5X
(9)	955 504 312 00	Adjustment Headlights Cover	right side	1	PR:D5V
(9)	955 504 313 00	Adjustment Headlights Cover	left side	1	PR:D5Z
(9)	955 504 314 00	Adjustment Headlights Cover	right side	1	PR:D5X,D5Z
10	955 504 503 01	Adjustment Headlights cover for engine compartment	rear	1	

Model: 9PA108 Model life 2007>>2010

Pos	Part Number	Description	Remark	Qty	Model
10	955 504 503 01 01C 955 504 503 02	Discontinued part Satin black cover for engine compartment	rear center	1	
(10)	955 504 503 02 01C 955 504 503 03	Satin black cover for engine compartment	rear center	1	PR:D50
11	955 504 503 03 9B9 955 504 331 01	Satin black Cover	left front side	1	
(11)	955 504 331 01 01C 955 504 332 01	Satin black Cover	right front side	1	
12	955 504 332 01 01C 955 504 441 02	Satin black Cover	left rear	1	PR:D5V,D5Z, 0AB
(12)	955 504 441 02 01C 955 504 445 01	Satin black Cover	left rear	1	PR:D5X,0AB
(12)	955 504 445 01 01C 955 504 445 01	Satin black Cover	left rear	1	PR:0AW
(12)	955 504 445 01 01C 955 504 445 02	Satin black Cover	left rear	1	PR:D50
13	955 504 445 02 9B9 955 504 099 01	D - MJ 2009>> Satin black Cover	left rear	1	
14	955 504 099 01 01C 955 504 442 02	for oil container Power steering Satin black Cover	right rear	1	PR:D5X
(14)	955 504 442 02 01C 955 504 444 02	Satin black Cover	right rear	1	PR:D5V,D5Z
(14)	955 504 444 02 01C 955 504 444 03	Satin black Cover	right rear	1	PR:D50
15	955 504 444 03 9B9 955 504 100 00	D - MJ 2009>> Satin black Cover	right rear	1	
16	955 504 100 00 01C 955 572 710 00	for Filling container Coolant Satin black Fastening plug Mount Cover		X	
17	N 908 475 01	Spring clip 12 X 10,4 Mount Cover		X	
18	N 906 986 06	Hexagon socket head panel bolt 4,2 X 16		1	
19	N 906 487 01	Oval hexagon socket head bolt 4,8 X 16 Mount		X	

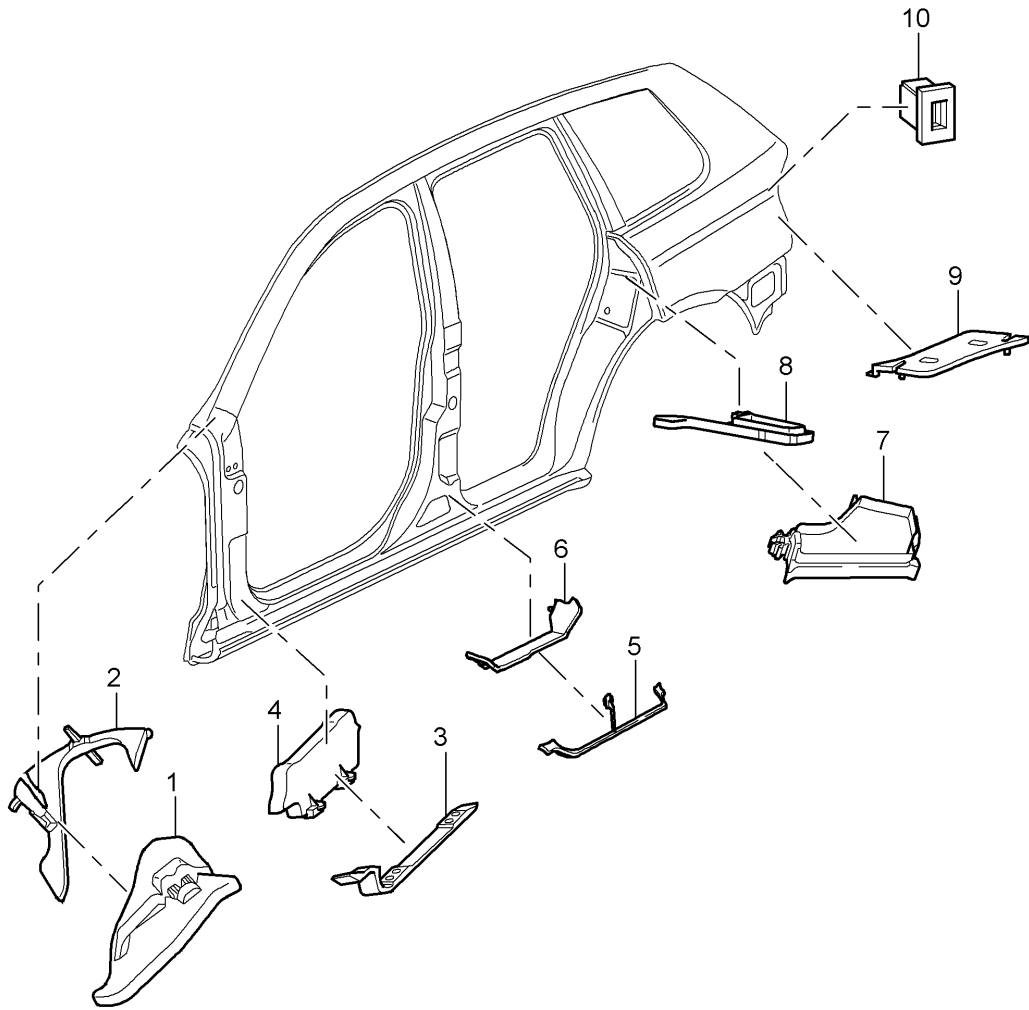
Model: 9PA108

Model life 2007>>2010

Pos	Part Number	Description	Remark	Qty	Model
20	N 900 942 01	Cover Speed nut 16,5 X 10,4 Mount		X	
21	955 556 711 00	Cover sound abs. for engine bonnet		1	PR:D50

Model: 9PA108

Model life 2007>>2010

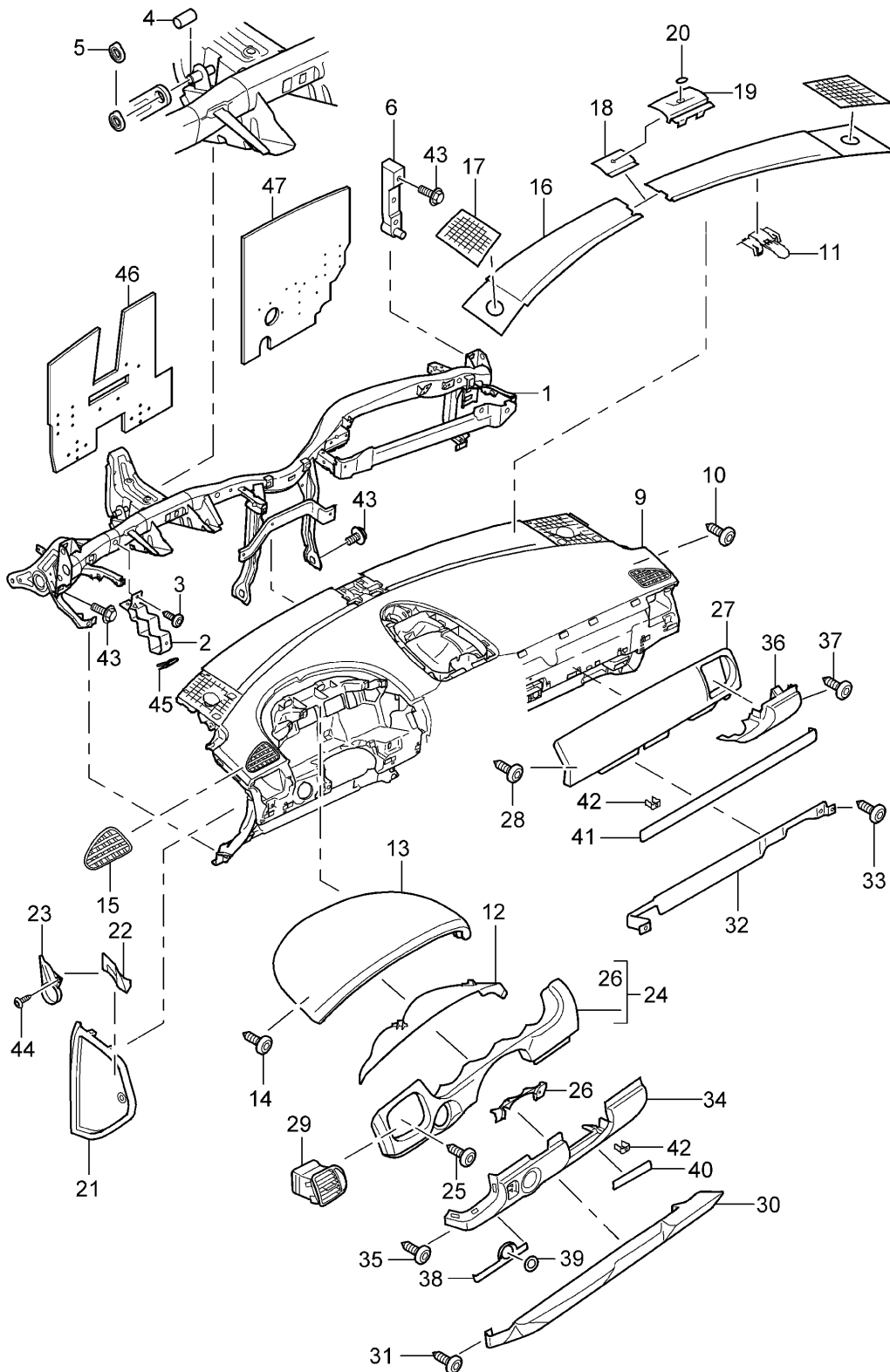


Model: 9PA108 Model life 2007>>2010

Pos	Part Number	Description	Remark	Qty	Model
1	955 556 425 01	Sound absorber A-pillar Until d-pillar Sound absorber A-pillar	left upper inner	1	
(1)	955 556 426 01	Sound absorber A-pillar	right upper inner	1	
2	955 556 427 00	Sound absorber A-pillar	left upper outer	1	
(2)	955 556 428 00	Sound absorber A-pillar	right upper outer	1	
3	955 556 429 01	Sound absorber A-pillar	lower outer	2	
4	955 556 431 01	Sound absorber A-pillar	left lower inner	1	
(4)	955 556 432 01	Sound absorber A-pillar	right lower inner	1	
5	955 556 433 01	Sound absorber B-pillar	left lower outer	1	
(5)	955 556 434 01	Sound absorber B-pillar	right lower outer	1	
6	955 556 435 01	Sound absorber B-pillar	left lower inner	1	
(6)	955 556 436 01	Sound absorber B-pillar	right lower inner	1	
7	955 556 441 00	Sound absorber c-pillar	left lower inner	1	
(7)	955 556 442 00	Sound absorber c-pillar	right lower inner	1	
(8)	955 556 444 00	Sound absorber c-pillar	right lower outer	1	
9	955 556 449 00	Sound absorber d-pillar	left lower	1	
(9)	955 556 450 00	Sound absorber d-pillar	right lower	1	
10	955 556 807 00	sound absorber-pillar d		2	

Model: 9PA108

Model life 2007>>2010



Model: 9PA108 Model life 2007>>2010

Pos	Part Number	Description	Remark	Qty	Model
1	955 552 061 04	Instrument panel trim Accessories retaining frame for dashboard D >> - MJ 2008	lhd	1	PR:L0L
1	955 552 061 05	retaining frame for dashboard D - MJ 2009>>	lhd	1	PR:L0L
(1)	955 552 061 05 GRV 955 552 062 05	primed retaining frame for dashboard D >> - MJ 2008	rhd	1	PR:L0R
(1)	955 552 062 06	retaining frame for dashboard D - MJ 2009>>	rhd	1	PR:L0R
4	955 552 062 06 GRV 955 552 049 00	primed Bearing bush for retaining frame		1	
5	N 905 770 01	Clamping washer 12 X 25,5 retaining frame		1	
6	955 552 051 01	Mounting for retaining frame	left	1	
(6)	955 552 051 01 GRV 955 552 052 01	primed Mounting for retaining frame	right	1	
9	955 552 052 01 GRV 955 552 109 04	primed Instrument panel trim Leatherette	lhd	1	PR:L0L,4N1
	955 552 109 04 6B9	Black			
	955 552 109 04 6D5	Stone grey			
	955 552 109 04 6E7	Havanna			
(9)	955 552 110 04	Instrument panel trim Leatherette	rhd	1	PR:L0R,4N1
	955 552 110 04 6B9	Black			
	955 552 110 04 6D5	Stone grey			
	955 552 110 04 6E7	Havanna			
9	955 552 101 04	Instrument panel trim Leather	lhd	1	PR:L0L,4N3, 4N8
	955 552 101 04 A11	Black			
	955 552 101 04 5X6	Stone grey			
	955 552 101 04 7A3	Havanna			
	955 552 101 04 8G2	Sand beige			
	955 552 101 04 L0C	Black/Guards Red D - MJ 2010>>			
(9)	955 552 102 04	Instrument panel trim Leather	rhd	1	PR:L0R,4N3, 4N8
	955 552 102 04 A11	Black			
	955 552 102 04 5X6	Stone grey			
	955 552 102 04 7A3	Havanna			
	955 552 102 04 8G2	Sand beige			
	955 552 102 04 L0C	Black/Guards Red D - MJ 2010>>			
10	N 906 986 01	Hexagon socket head panel bolt ST 4,2 X 16 Mount		9	

Model: 9PA108 Model life 2007>>2010

Pos	Part Number	Description	Remark	Qty	Model
11	955 552 054 00	Instrument panel trim Clip Scuttle for Mount		4	
12	955 552 065 00	Instrument panel trim Trim for instruments	lhd upper	1	PR:L0L
(12)	955 552 065 00 6N3 955 552 066 00	Lacquered Matt black Trim for instruments	rhd upper	1	PR:L0R
13	955 552 066 00 6N3 955 552 293 01	Lacquered Matt black Instrument box Leatherette	lhd	1	PR:L0L,4N1
(13)	955 552 293 01 6B9 955 552 293 01 6D5 955 552 293 01 6E7 955 552 294 01	Black Stone grey Havanna Instrument box Leatherette	rhd	1	PR:L0R,4N1
13	955 552 294 01 6B9 955 552 294 01 6D5 955 552 294 01 6E7 955 552 295 01	Black Stone grey Havanna Instrument box Leather	lhd	1	PR:L0L,4N8
(13)	955 552 295 01 A11 955 552 295 01 5X6 955 552 295 01 7A3 955 552 295 01 8G2 955 552 295 01 L0C 955 552 296 01	Black Stone grey Havanna Sand beige Black/Guards Red D - MJ 2010>> Instrument box Leather	rhd	1	PR:L0R,4N8
13	955 552 296 01 A11 955 552 296 01 5X6 955 552 296 01 7A3 955 552 296 01 8G2 955 552 296 01 L0C 955 552 295 10	Black Stone grey Havanna Sand beige Black/Guards Red D - MJ 2010>> Instrument box Leather two-colour D - MJ 2009>>	lhd	1	PR:L0L,4N3
(13)	955 552 295 10 ZJE 955 552 295 10 ZJF 955 552 296 10	Black/Havanna Black/Steel Grey Instrument box Leather two-colour D - MJ 2009>>	rhd	1	PR:L0R,4N3
14	955 552 296 10 ZJE 955 552 296 10 ZJF N 906 986 01	Black/Havanna Black/Steel Grey Hexagon socket head panel bolt ST 4,2 X 16 Mounting		4	
15	955 552 219 00	Instrument box Air vent Instrument panel trim Lacquered	left Lateral upper	1	
	955 552 219 00 A03 955 552 219 00 5V7 955 552 219 00 5Y9 955 552 219 00 5Z1	Black Stone grey Havanna Sand beige			

Model: 9PA108 Model life 2007>>2010

Pos	Part Number	Description	Remark	Qty	Model
(15)	955 552 220 00	Air vent Instrument panel trim Lacquered	right Lateral upper	1	
	955 552 220 00 A03	Black			
	955 552 220 00 5V7	Stone grey			
	955 552 220 00 5Y9	Havanna			
	955 552 220 00 5Z1	Sand beige			
16	955 552 185 01	Defroster trim Lacquered	left front	1	
	955 552 185 01 A03	Black			
	955 552 185 01 5V7	Stone grey			
	955 552 185 01 5Y9	Havanna			
	955 552 185 01 5Z1	Sand beige			
(16)	955 552 186 01	Defroster trim Lacquered	right front	1	
	955 552 186 01 A03	Black			
	955 552 186 01 5V7	Stone grey			
	955 552 186 01 5Y9	Havanna			
	955 552 186 01 5Z1	Sand beige			
17	955 552 793 00	Loudspeaker trim Lacquered	left	1	
	955 552 793 00 A03	Black			
	955 552 793 00 5V7	Stone grey			
	955 552 793 00 5Y9	Havanna			
	955 552 793 00 5Z1	Sand beige			
(17)	955 552 794 00	Loudspeaker trim Lacquered	right	1	
	955 552 794 00 A03	Black			
	955 552 794 00 5V7	Stone grey			
	955 552 794 00 5Y9	Havanna			
	955 552 794 00 5Z1	Sand beige			
18	955 552 073 00	Trim Defroster trim Lacquered	center	1	PR: 7X0, 7X9, 9AB
	955 552 073 00 A03	Black			
	955 552 073 00 5V7	Stone grey			
	955 552 073 00 5Y9	Havanna			
	955 552 073 00 5Z1	Sand beige			
(18)	955 552 074 01	Trim Defroster trim Lacquered	center	1	PR: 7X0, 7X9, 9AD, 9AH
	955 552 074 01 A03	Black			
	955 552 074 01 5V7	Stone grey			
	955 552 074 01 5Y9	Havanna			
	955 552 074 01 5Z1	Sand beige			
19	955 552 655 01	housing Parking aid Lacquered		1	PR: 7X2, 7X8
	955 552 655 01 A03	Black			
	955 552 655 01 5V7	Stone grey			
	955 552 655 01 5Y9	Havanna			
	955 552 655 01 5Z1	Sand beige			
20	955 552 187 00	Dummy cover		1	PR: 7X2, 9AB
	955 552 187 00 9B9	Satin black			
21	955 552 175 02	Closing element Lacquered	left side	1	PR: L0L, 4UE, 9AB, 9AD
	955 552 175 02 A03	Black			
	955 552 175 02 5Z1	Sand beige			
	955 552 175 02 7BA	steel grey			

Model: 9PA108 Model life 2007>>2010

Pos	Part Number	Description	Remark	Qty	Model
21	955 552 175 02	Closing element	left side	1	PR:4UB,4UD,9AB,9AD
	955 552 175 02 A03	Black			
	955 552 175 02 5Z1	Sand beige			
	955 552 175 02 7BA	steel grey			
(21)	955 552 176 02	Closing element	right side rhd	1	PR:L0R,4UE,9AB,9AD
	955 552 176 02 A03	Black			
	955 552 176 02 5Z1	Sand beige			
	955 552 176 02 7BA	steel grey			
(21)	955 552 176 02	Closing element	right side	1	PR:4UB,4UD,9AB,9AD
	955 552 176 02 A03	Black			
	955 552 176 02 5Z1	Sand beige			
	955 552 176 02 7BA	steel grey			
(21)	955 552 179 01	Closing element	left side rhd	1	PR:L0R,4UE,9AB,9AD
	955 552 179 01 A03	Black			
	955 552 179 01 5Z1	Sand beige			
	955 552 179 01 7BA	steel grey			
(21)	955 552 180 02	Closing element	right side lhd	1	PR:L0L,4UE,9AB,9AD
	955 552 180 02 A03	Black			
	955 552 180 02 7BA	steel grey			
	955 552 180 02 5Z1	Sand beige			
(21)	955 552 175 03	Closing element	left side lhd	1	PR:L0L,4UE,9AH
	955 552 175 03 A03	Black			
	955 552 175 03 5Z1	Sand beige			
	955 552 175 03 7BA	steel grey			
(21)	955 552 175 03	Closing element	left side	1	PR:4UB,4UD,9AH
	955 552 175 03 A03	Black			
	955 552 175 03 5Z1	Sand beige			
	955 552 175 03 7BA	steel grey			
(21)	955 552 176 03	Closing element	right side rhd	1	PR:L0R,4UE,9AH
	955 552 176 03 A03	Black			
	955 552 176 03 5Z1	Sand beige			
	955 552 176 03 7BA	steel grey			
(21)	955 552 176 03	Closing element	right side	1	PR:4UB,4UD,9AH
	955 552 176 03 A03	Black			
	955 552 176 03 5Z1	Sand beige			
	955 552 176 03 7BA	steel grey			
(21)	955 552 181 01	Closing element	left side rhd	1	PR:L0R,4UE,9AH
	955 552 181 01 A03	Black			
	955 552 181 01 5Z1	Sand beige			
	955 552 181 01 7BA	steel grey			
(21)	955 552 182 02	Closing element	right side lhd	1	PR:L0L,4UE,9AH
	955 552 182 02 A03	Black			
	955 552 182 02 5Z1	Sand beige			
	955 552 182 02 7BA	steel grey			
22	955 552 013 00	Dummy cover Instrument panel trim	left side	1	PR:9AH
(22)	955 552 014 00	Dummy cover Instrument panel trim	right side	1	PR:9AH
23	955 552 015 00	Air guide channel Instrument panel trim	left side	1	PR:9AB,9AD
(23)	955 552 016 00	Air guide channel Instrument panel trim	right side	1	PR:9AB,9AD

Model: 9PA108 Model life 2007>>2010

Pos	Part Number	Description	Remark	Qty	Model
24	955 552 565 00	Cover (drivers side)	lhd	1	PR:L0L,4N1
	955 552 565 00 6B9	Black			
	955 552 565 00 6D5	Stone grey			
	955 552 565 00 6E7	Havanna			
(24)	955 552 566 00	Cover (drivers side)	rhd	1	PR:L0R,4N1
	955 552 566 00 6B9	Black			
	955 552 566 00 6D5	Stone grey			
	955 552 566 00 6E7	Havanna			
24	955 552 567 01	Cover (leather) (drivers side)	lhd	1	PR:L0L,4N8
	955 552 567 01 A11	Black			
	955 552 567 01 5X6	Stone grey			
	955 552 567 01 7A3	Havanna			
	955 552 567 01 8G2	Sand beige			
	955 552 567 01 L0C	Black/Guards Red D - MJ 2010>>			
(24)	955 552 568 01	Cover (leather) (drivers side)	rhd	1	PR:L0R,4N8
	955 552 568 01 A11	Black			
	955 552 568 01 5X6	Stone grey			
	955 552 568 01 7A3	Havanna			
	955 552 568 01 8G2	Sand beige			
	955 552 568 01 L0C	Black/Guards Red D - MJ 2010>>			
24	955 552 567 10	Cover (drivers side) Leather two-colour D - MJ 2009>>	lhd	1	PR:L0L,4N3
	955 552 567 10 ZJE	Black/Havanna			
	955 552 567 10 ZJF	Black/Steel Grey			
(24)	955 552 568 10	Cover (drivers side) Leather two-colour D - MJ 2009>>	rhd	1	PR:L0R,4N3
	955 552 568 10 ZJE	Black/Havanna			
	955 552 568 10 ZJF	Black/Steel Grey			
25	N 906 986 01	Hexagon socket head panel bolt ST 4,2 X 16 Mount Cover (drivers side)		3	
26	955 552 569 00	Cover panel Dashboard trim Lacquered	lhd	1	PR:L0L
	955 552 569 00 A03	Black			
	955 552 569 00 5V7	Stone grey			
	955 552 569 00 5Y9	Havanna			
	955 552 569 00 5Z1	Sand beige			
(26)	955 552 570 00	Cover panel Dashboard trim Lacquered	rhd	1	PR:L0R
	955 552 570 00 A03	Black			
	955 552 570 00 5V7	Stone grey			
	955 552 570 00 5Y9	Havanna			
	955 552 570 00 5Z1	Sand beige			
27	955 552 561 00	Cover (passenger side)	lhd	1	PR:L0L,4N1
	955 552 561 00 6B9	Black			
	955 552 561 00 6D5	Stone grey			

Model: 9PA108 Model life 2007>>2010

Pos	Part Number	Description	Remark	Qty	Model
(27)	955 552 561 00 6E7 955 552 562 00	Havanna Cover (passenger side)	rhd	1	PR:L0R,4N1
	955 552 562 00 6B9 955 552 562 00 6D5 955 552 562 00 6E7	Black Stone grey Havanna			
27	955 552 563 01	Cover (leather) (passenger side)	lhd	1	PR:L0L,4N8
	955 552 563 01 A11 955 552 563 01 5X6 955 552 563 01 7A3 955 552 563 01 8G2 955 552 563 01 L0C	Black Stone grey Havanna Sand beige Black/Guards Red D - MJ 2010>>			
(27)	955 552 564 01	Cover (leather) (passenger side)	rhd	1	PR:L0R,4N8
	955 552 564 01 A11 955 552 564 01 5X6 955 552 564 01 7A3 955 552 564 01 8G2 955 552 564 01 L0C	Black Stone grey Havanna Sand beige Black/Guards Red D - MJ 2010>>			
27	955 552 563 10	Cover (passenger side) two-colour D - MJ 2009>>	lhd	1	PR:L0L,4N3
	955 552 563 10 ZJE 955 552 563 10 ZJF	Black/Havanna Black/Steel Grey			
(27)	955 552 564 10	Cover (passenger side) two-colour D - MJ 2009>>	rhd	1	PR:L0R,4N3
	955 552 564 10 ZJE 955 552 564 10 ZJF	Black/Havanna Black/Steel Grey			
28	N 906 986 01	Hexagon socket head panel bolt ST 4,2 X 16 Mount Cover (passenger side)		6	
29	955 552 225 02	Vent Lacquered	left	1	
	955 552 225 02 A03 955 552 225 02 5V7 955 552 225 02 5Y9 955 552 225 02 5Z1	Black Stone grey Havanna Sand beige			
(29)	955 552 228 02	Vent Lacquered	right	1	
	955 552 228 02 A03 955 552 228 02 5V7 955 552 228 02 5Y9 955 552 228 02 5Z1	Black Stone grey Havanna Sand beige			
32	955 552 048 01	Reinforcement for knee pad (passenger side)	lhd lower	1	PR:L0L
34	955 552 503 01	Trim (drivers side) Leatherette	lhd lower	1	PR:L0L,3D1, 3D3,3D5,4N1
	955 552 503 01 5Q2 955 552 503 01 5R3 955 552 503 01 5S4	Black steel grey Sand beige			
(34)	955 552 504 01	Trim (drivers side)	rhd lower	1	PR:L0R,3D1, 3D3,3D5,4N1

Model: 9PA108 Model life 2007>>2010

Pos	Part Number	Description	Remark	Qty	Model
34	955 552 504 01 5Q2	Leatherette Black			
	955 552 504 01 5R3	steel grey			
	955 552 504 01 5S4	Sand beige			
	955 552 505 01	Trim (drivers side)	lower lhd	1	PR:L0L, 3D1, 3D3, 3D8, 4N8
		Leather D >> - MJ 2008			
34	955 552 505 01 6B7	steel grey			
	955 552 505 01 8G1	Sand beige			
	955 552 505 01 8YR	Black			
	955 552 505 01	Trim (drivers side)	lower lhd	1	PR:L0L, 3D3, 3D5, 3D8, 4N8
		Leather D >> - MJ 2008			
34	955 552 505 01 6B7	steel grey			
	955 552 505 01 8G1	Sand beige			
	955 552 505 01 8YR	Black			
	955 552 505 01	Trim (drivers side)	lower lhd	1	PR:L0L, 3D5, 3D8, 4N8
		Leather D - MJ 2009>>			
34	955 552 505 01 6B7	steel grey			
	955 552 505 01 8G1	Sand beige			
	955 552 505 01 8YR	Black			
	955 552 505 01	Trim (drivers side)	lower lhd	1	PR:L0L, 3D5, 3D8, 4N3
		Leather D - MJ 2009>>			
(34)	955 552 505 01 6B7	steel grey			
	955 552 505 01 8G1	Sand beige			
	955 552 505 01 8YR	Black			
	955 552 506 01	Trim (drivers side)	lower rhd	1	PR:L0R, 3D1, 3D3, 3D8, 4N8
		Leather D >> - MJ 2008			
(34)	955 552 506 01 6B7	steel grey			
	955 552 506 01 8G1	Sand beige			
	955 552 506 01 8YR	Black			
	955 552 506 01	Trim (drivers side)	lower rhd	1	PR:L0R, 3D3, 3D5, 3D8, 4N8
		Leather D >> - MJ 2008			
(34)	955 552 506 01 6B7	steel grey			
	955 552 506 01 8G1	Sand beige			
	955 552 506 01 8YR	Black			
	955 552 506 01	Trim (drivers side)	lower rhd	1	PR:L0R, 3D5, 3D8, 4N8
		Leather D - MJ 2009>>			
(34)	955 552 506 01 6B7	steel grey			
	955 552 506 01 8G1	Sand beige			
	955 552 506 01 8YR	Black			
	955 552 506 01	Trim (drivers side)	lower rhd	1	PR:L0R, 3D5, 3D8, 4N3
		Leather D - MJ 2009>>			
34	955 552 506 01 6B7	steel grey			
	955 552 506 01 8G1	Sand beige			
	955 552 506 01 8YR	Black			
	955 552 507 00	Trim (drivers side)	lower lhd	1	PR:L0L, 3D4, 4N8
		Leather			

Model: 9PA108 Model life 2007>>2010

Pos	Part Number	Description	Remark	Qty	Model
(34)	955 552 507 00 J69 955 552 508 00	Nature chestnut brown Trim (drivers side) Leather Nature chestnut brown	lower rhd	1	PR:L0R, 3D4, 4N8
35	955 552 508 00 J69 N 906 986 01	Hexagon socket head panel bolt ST 4,2 X 16 Mount Trim (drivers side)	lower	7	
36	955 552 511 01	Trim (passenger side) Leatherette	lower lhd	1	PR:L0L, 3D1, 3D3, 3D5, 4N1
(36)	955 552 511 01 5Q2 955 552 511 01 5R3 955 552 511 01 5S4 955 552 512 01	Black steel grey Sand beige Trim (passenger side) Leatherette	lower rhd	1	PR:L0R, 3D1, 3D3, 3D5, 4N1
36	955 552 512 01 5Q2 955 552 512 01 5R3 955 552 512 01 5S4 955 552 513 01	Black steel grey Sand beige Trim (passenger side) Leather D >> - MJ 2008	lower lhd	1	PR:L0L, 3D1, 3D3, 3D8, 4N8
36	955 552 513 01 6B7 955 552 513 01 8G1 955 552 513 01 8YR 955 552 513 01	steel grey Sand beige Black Trim (passenger side) Leather D >> - MJ 2008	lower lhd	1	PR:L0L, 3D3, 3D5, 3D8, 4N8
36	955 552 513 01 6B7 955 552 513 01 8G1 955 552 513 01 8YR 955 552 513 01	steel grey Sand beige Black Trim (passenger side) Leather D - MJ 2009>>	lower lhd	1	PR:L0L, 3D5, 3D8, 4N3, 4N8
(36)	955 552 513 01 6B7 955 552 513 01 8G1 955 552 513 01 8YR 955 552 514 01	steel grey Sand beige Black Trim (passenger side) Leather D >> - MJ 2008	lower rhd	1	PR:L0R, 3D1, 3D3, 3D8, 4N8
(36)	955 552 514 01 6B7 955 552 514 01 8G1 955 552 514 01 8YR 955 552 514 01	steel grey Sand beige Black Trim (passenger side) Leather D >> - MJ 2008	lower rhd	1	PR:L0R, 3D3, 3D5, 3D8, 4N8
(36)	955 552 514 01 6B7 955 552 514 01 8G1 955 552 514 01 8YR 955 552 514 01	steel grey Sand beige Black Trim (passenger side) Leather D - MJ 2009>>	lower rhd	1	PR:L0R, 3D5, 3D8, 4N8

Model: 9PA108 Model life 2007>>2010

Pos	Part Number	Description	Remark	Qty	Model
(36)	955 552 514 01 6B7	steel grey			
	955 552 514 01 8G1	Sand beige			
	955 552 514 01 8YR	Black			
	955 552 514 01	Trim (passenger side) Leather D - MJ 2009>>	lower rhd	1	PR:L0R,3D5, 3D8,4N3
36	955 552 514 01 6B7	steel grey			
	955 552 514 01 8G1	Sand beige			
	955 552 514 01 8YR	Black			
	955 552 515 00	Trim (passenger side) Leather Nature	lower lhd	1	PR:L0L,3D4, 4N8
(36)	955 552 515 00 J69	chestnut brown			
	955 552 516 00	Trim (passenger side) Leather Nature	lower rhd	1	PR:L0R,3D4, 4N8
37	955 552 516 00 J69	chestnut brown			
	N 906 986 01	Hexagon socket head panel bolt ST 4,2 X 16 Mount Trim (passenger side)	lower	3	
38	955 552 667 00	Trim Ignition starter lock Silver mat chrome	lhd	1	PR:L0L,5MA
	955 552 667 00 QHA	Black			
	955 552 667 00 QHB	Stone grey			
	955 552 667 00 QHC	Havanna			
	955 552 667 00 RKT	Sand beige			
38	955 552 667 00	Trim Ignition starter lock Silver mat chrome D - MJ 2009>>	lhd	1	PR:L0L,5MA, 6FA
	955 552 667 00 QHA	Black			
	955 552 667 00 QHB	Stone grey			
	955 552 667 00 QHC	Havanna			
	955 552 667 00 RKT	Sand beige			
(38)	955 552 667 00	Trim Ignition starter lock Black D - MJ 2009>>	lhd	1	PR:E2D,L0L, 5MA,6FI
	955 552 667 00 QHA	Black			
	955 552 667 00 QHB	Stone grey			
	955 552 667 00 QHC	Havanna			
	955 552 667 00 RKT	Sand beige			
(38)	955 552 667 00 FZR	orange			
	955 552 668 00	Trim Ignition starter lock Silver mat chrome	lower rhd	1	PR:L0R,5MA
	955 552 668 00 QHA	Black			
	955 552 668 00 QHB	Stone grey			
	955 552 668 00 QHC	Havanna			
(38)	955 552 668 00	Trim Ignition starter lock Silver mat chrome D - MJ 2009>>	lower rhd	1	PR:L0R,5MA, 6FA
	955 552 668 00 QHA	Black			
	955 552 668 00 QHB	Stone grey			
	955 552 668 00 QHC	Havanna			
	955 552 668 00 RKT	Sand beige			
(38)	955 552 668 00	Trim Ignition starter lock Black	lower rhd	1	PR:E2D,L0R, 5MA,6FI
	955 552 668 00 QHA	Black			
	955 552 668 00 QHB	Stone grey			
	955 552 668 00 QHC	Havanna			
	955 552 668 00 RKT	Sand beige			

Model: 9PA108 Model life 2007>>2010

Pos	Part Number	Description	Remark	Qty	Model
		D - MJ 2009>>			
38	955 552 668 00 FZR	orange			
	955 552 669 00	Trim	lhd	1	PR:L0L,5TE
		Ignition starter lock			
		Satin aluminium			
	955 552 669 00 TLP	Black			
	955 552 669 00 TLQ	Stone grey			
	955 552 669 00 TLR	Havanna			
	955 552 669 00 TLT	Sand beige			
(38)	955 552 670 00	Trim	rhd	1	PR:L0R,5TE
		Ignition starter lock			
		Satin aluminium			
	955 552 670 00 TLP	Black			
	955 552 670 00 TLQ	Stone grey			
	955 552 670 00 TLR	Havanna			
	955 552 670 00 TLT	Sand beige			
38	955 552 671 00	Trim	lhd	1	PR:L0L,5TF
		Ignition starter lock			
		Olive grain			
	955 552 671 00 QHN	Olive wood/black			
	955 552 671 00 QHP	Olive wood/stone grey			
	955 552 671 00 QHQ	Olive wood/havanna			
	955 552 671 00 RKV	Olive wood/sand beige			
(38)	955 552 672 00	Trim	rhd	1	PR:L0R,5TF
		Ignition starter lock			
		Olive grain			
	955 552 672 00 QHN	Olive wood/black			
	955 552 672 00 QHP	Olive wood/stone grey			
	955 552 672 00 QHQ	Olive wood/havanna			
	955 552 672 00 RKV	Olive wood/sand beige			
38	955 552 673 00	Trim	lhd	1	PR:L0L,5MG
		Ignition starter lock			
		Rootwood			
	955 552 673 00 QHJ	Black			
	955 552 673 00 QHK	Stone grey			
	955 552 673 00 QHL	Havanna			
	955 552 673 00 RKW	Sand beige			
(38)	955 552 674 00	Trim	rhd	1	PR:L0R,5MG
		Ignition starter lock			
		Rootwood			
	955 552 674 00 QHJ	Black			
	955 552 674 00 QHK	Stone grey			
	955 552 674 00 QHL	Havanna			
	955 552 674 00 RKW	Sand beige			
38	955 552 675 00	Trim	lhd	1	PR:L0L,5TK
		Ignition starter lock			
		Ash wood			
		D >> - MJ 2008			
	955 552 675 00 RWE	Black			
	955 552 675 00 RWF	Stone grey			
	955 552 675 00 RWG	Havanna			
	955 552 675 00 RWM	Sand beige			
(38)	955 552 676 00	Trim	rhd	1	PR:L0R,5TK
		Ignition starter lock			
		Ash wood			
		D >> - MJ 2008			
	955 552 676 00 RWE	Black			
	955 552 676 00 RWF	Stone grey			
	955 552 676 00 RWG	Havanna			
	955 552 676 00 RWM	Sand beige			
38	955 552 675 01	Trim	lhd	1	PR:L0L,5MH
		Ignition starter lock			
		Carbon			

Model: 9PA108 Model life 2007>>2010

Pos	Part Number	Description	Remark	Qty	Model
(38)	955 552 675 01 CHF	D - MJ 2009>> Black			
	955 552 675 01 WNM	Sand beige			
	955 552 676 01	Trim Ignition starter lock Carbon	rhd	1	PR:L0R,5MH
39	955 552 676 01 CHF	D - MJ 2009>> Black			
	955 552 676 01 WNM	Sand beige			
	955 552 677 00	Rosette Ignition starter lock		1	
40	955 552 677 00 9B9	Satin black			
	955 552 427 00	Trim (drivers side) plastic	lhd	1	PR:L0L,5MA
40	955 552 427 00 5X2	Silver mat chrome			
	955 552 427 00	Trim (drivers side) plastic	lhd	1	PR:L0L,5MA, 6FA
40	955 552 427 00 5X2	D - MJ 2009>> Silver mat chrome			
	955 552 427 00	Trim (drivers side) plastic	lhd	1	PR:E2D,L0L, 5MA,6FI
(40)	955 552 427 00 8C6	D - MJ 2009>> orange			
	955 552 428 00	Trim (drivers side) plastic	rhd	1	PR:L0R,5MA
(40)	955 552 428 00 5X2	Silver mat chrome			
	955 552 428 00	Trim (drivers side) plastic	rhd	1	PR:L0R,5MA, 6FA
(40)	955 552 428 00 5X2	D - MJ 2009>> Silver mat chrome			
	955 552 428 00	Trim (drivers side) plastic	rhd	1	PR:E2D,L0R, 5MA,6FI
40	955 552 428 00 8C6	D - MJ 2009>> orange			
	955 552 429 00	Trim (drivers side)	lhd	1	PR:L0L,5TE
(40)	955 552 429 00 62W	Satin aluminium			
	955 552 430 00	Trim (drivers side)	rhd	1	PR:L0R,5TE
40	955 552 430 00 62W	Satin aluminium			
	955 552 431 01	Trim (drivers side) Wood	lhd	1	PR:L0L,5TF
(40)	955 552 431 01 4V8	High-gloss olive ash burl			
	955 552 432 01	Trim (drivers side) Wood	rhd	1	PR:L0R,5TF
40	955 552 432 01 4V8	High-gloss olive ash burl			
	955 552 433 00	Trim (drivers side)	lhd	1	PR:L0L,5MG
40	955 552 433 00 4X2	D >> - MJ 2008 Rootwood			
	955 552 433 01	Trim (drivers side)	lhd	1	PR:L0L,5MG
(40)	955 552 433 01 4X2	D - MJ 2009>> Rootwood			
	955 552 434 00	Trim	rhd	1	PR:L0R,5MG

Model: 9PA108 Model life 2007>>2010

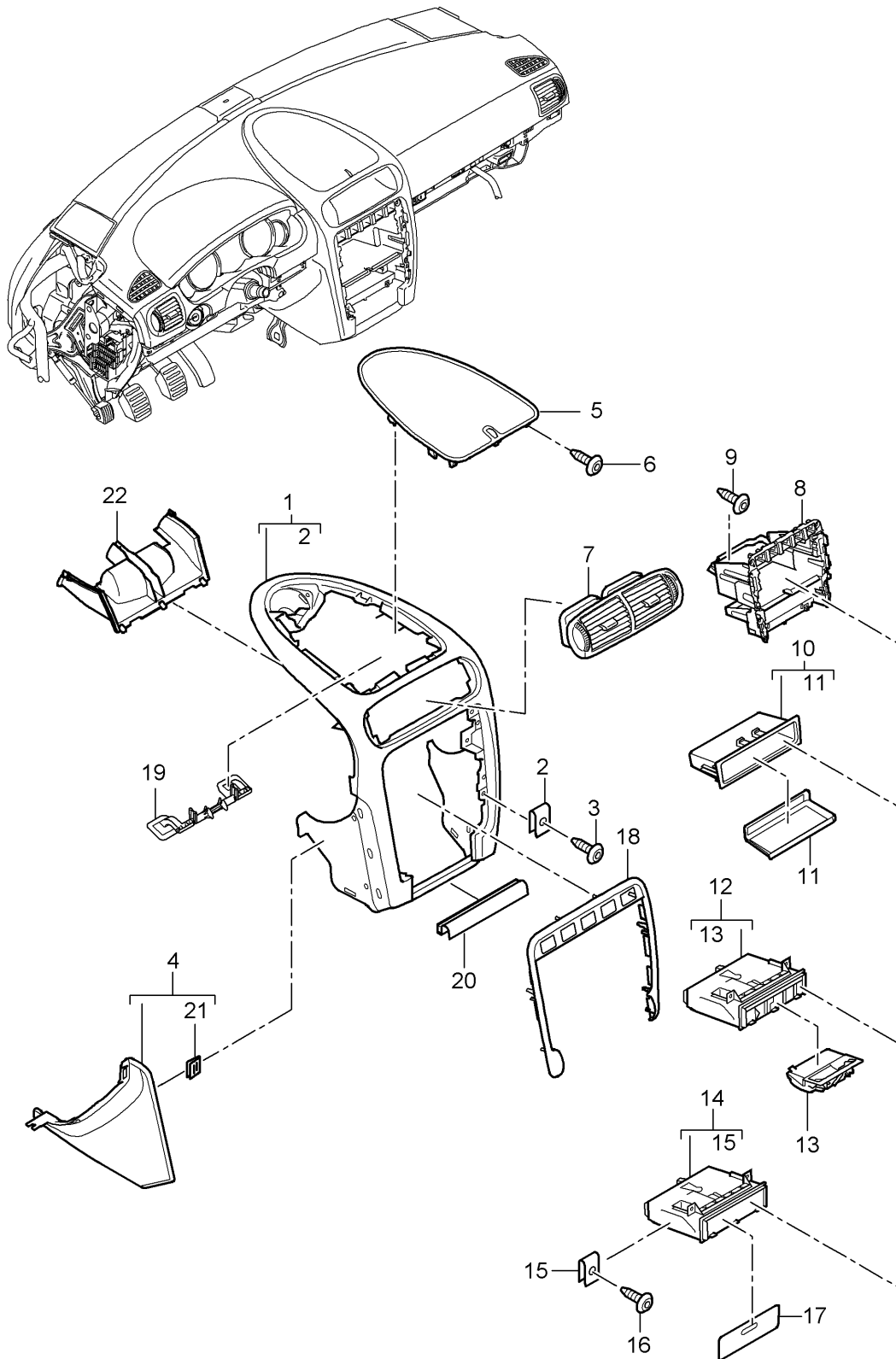
Pos	Part Number	Description	Remark	Qty	Model
		(drivers side) D >> - MJ 2008			
(40)	955 552 434 00 4X2	Rootwood			
	955 552 434 01	Trim	rhd	1	PR:L0R,5MG
		(drivers side) D - MJ 2009>>			
	955 552 434 01 4X2	Rootwood			
40	955 552 425 00	Trim	lhd	1	PR:L0L,5TK
		(drivers side) D >> - MJ 2008			
	955 552 425 00 9Z4	Super-matt olive ash burl			
(40)	955 552 426 00	Trim	rhd	1	PR:L0R,5TK
		(drivers side) D >> - MJ 2008			
	955 552 426 00 9Z4	Super-matt olive ash burl			
40	955 552 425 02	Trim	lhd	1	PR:L0L,5MH
		(drivers side) Carbon D - MJ 2009>>			
	955 552 425 02 CS3	Black			
40	955 552 426 02	Trim	rhd	1	PR:L0R,5MH
		(drivers side) Carbon D - MJ 2009>>			
	955 552 426 02 CS3	Black			
41	955 552 435 00	Trim	lhd	1	PR:L0L,5MA
		(passenger side) plastic			
	955 552 435 00 5X2	Silver mat chrome			
41	955 552 435 00	Trim	lhd	1	PR:L0L,5MA, 6FA
		(passenger side) plastic D - MJ 2009>>			
	955 552 435 00 5X2	Silver mat chrome			
41	955 552 435 00	Trim	lhd	1	PR:E2D,L0L, 5MA,6FI
		(passenger side) plastic D - MJ 2009>>			
	955 552 435 00 8C6	orange			
(41)	955 552 436 00	Trim	rhd	1	PR:L0R,5MA
		(passenger side) plastic			
	955 552 436 00 5X2	Silver mat chrome			
(41)	955 552 436 00	Trim	rhd	1	PR:L0R,5MA, 6FA
		(passenger side) plastic D - MJ 2009>>			
	955 552 436 00 5X2	Silver mat chrome			
(41)	955 552 436 00	Trim	rhd	1	PR:E2D,L0R, 5MA,6FI
		(passenger side) plastic D - MJ 2009>>			
	955 552 436 00 8C6	orange			
41	955 552 443 00	Trim	lhd	1	PR:L0L,5TE
		(passenger side)			
	955 552 443 00 62W	Satin aluminium			
(41)	955 552 444 00	Trim	rhd	1	PR:L0R,5TE
		(passenger side)			
	955 552 444 00 62W	Satin aluminium			
41	955 552 445 01	Trim	lhd	1	PR:L0L,5TF
		(passenger side) Wood			
	955 552 445 01 4V8	High-gloss olive ash burl			

Model: 9PA108 Model life 2007>>2010

Pos	Part Number	Description	Remark	Qty	Model
(41)	955 552 446 01	Trim (passenger side) Wood	rhd	1	PR:L0R,5TF
41	955 552 446 01 4V8 955 552 447 00	High-gloss olive ash burl Trim (passenger side) D >> - MJ 2008	lhd	1	PR:L0L,5MG
41	955 552 447 00 4X2 955 552 447 01	Rootwood Trim (passenger side) D - MJ 2009>>	lhd	1	PR:L0L,5MG
(41)	955 552 447 01 4X2 955 552 448 00	Rootwood Trim (passenger side) D >> - MJ 2008	rhd	1	PR:L0R,5MG
(41)	955 552 448 00 4X2 955 552 448 01	Rootwood Trim (passenger side) D - MJ 2009>>	rhd	1	PR:L0R,5MG
41	955 552 448 01 4X2 955 552 451 00	Rootwood Trim (passenger side) D >> - MJ 2008	lhd	1	PR:L0L,5TK
(41)	955 552 451 00 9Z4 955 552 452 00	Super-matt olive ash burl Trim (passenger side) D >> - MJ 2008	rhd	1	PR:L0R,5TK
41	955 552 452 00 9Z4 955 552 451 02	Super-matt olive ash burl Trim (passenger side) Carbon D - MJ 2009>>	lhd	1	PR:L0L,5MH
(41)	955 552 451 02 CS3 955 552 452 02	Black Trim (passenger side) Carbon D - MJ 2009>>	rhd	1	PR:L0R,5MH
42	955 552 452 02 CS3 955 552 107 00	Black Retaining clip for Trim (drivers side) (passenger side)		X	
43	N 909 192 02	Hexagon bolt M 8 X 20 Mount retaining frame		X	
44	N 102 473 02	oval head panel screw 4,2 X 16 Mount Air duct	side	2	PR:9AB,9AD
46	955 552 939 00	Sound absorber Assembly frame	left	1	PR:D50
47	955 552 938 00	Sound absorber Assembly frame	right	1	PR:D50

Model: 9PA108

Model life 2007>>2010



Model: 9PA108 Model life 2007>>2010

Pos	Part Number	Description	Remark	Qty	Model
1	955 552 086 01	Instrument panel trim Centre part Accessories Centre part Instrument panel trim		1	PR: 4N1
	955 552 086 01 6B9	Black			
	955 552 086 01 6D5	Stone grey			
	955 552 086 01 6E7	Havanna			
(1)	955 552 087 01	Centre part Instrument panel trim Leather		1	PR: 4N8
	955 552 087 01 A11	Black			
	955 552 087 01 5X6	Stone grey			
	955 552 087 01 7A3	Havanna			
	955 552 087 01 8G2	Sand beige			
	955 552 087 01 L0C	Black/Guards Red D - MJ 2010>>			
(1)	955 552 088 00	Centre part Instrument panel trim Leather two-colour D - MJ 2009>>		1	PR: 4N3
	955 552 088 00 ZJE	Black/Havanna			
	955 552 088 00 ZJF	Black/Steel Grey			
2	N 906 988 01	Speed nut ST 4,2 X 16 X 12 Mount		10	
3	N 906 986 01	Centre part Hexagon socket head panel bolt ST 4,2 X 16 Mount		2	
4	955 552 113 01	Centre part Cover Centre part Leatherette	left	1	PR: 3D1, 3D5, 4N1
	955 552 113 01 5Q2	Black			
	955 552 113 01 5R3	steel grey			
	955 552 113 01 5S4	Sand beige			
(4)	955 552 114 01	Cover Centre part Leatherette	right	1	PR: 3D1, 3D5, 4N1
	955 552 114 01 5Q2	Black			
	955 552 114 01 5R3	steel grey			
	955 552 114 01 5S4	Sand beige			
4	955 552 115 02	Cover (leather) Centre part D >> - MJ 2008	left	1	PR: 3D1, 3D3, 3D5, 3D8, 4N8
	955 552 115 02 8YR	Black			
	955 552 115 02 6B7	steel grey			
	955 552 115 02 8G1	Sand beige			
4	955 552 115 02	Cover (leather) Centre part D - MJ 2009>>	left	1	PR: 3D3, 3D5, 3D8, 4N3, 4N8
	955 552 115 02 8YR	Black			
	955 552 115 02 6B7	steel grey			
	955 552 115 02 8G1	Sand beige			
(4)	955 552 116 02	Cover (leather) Centre part D >> - MJ 2008	right	1	PR: 3D1, 3D3, 3D5, 3D8, 4N8
	955 552 116 02 8YR	Black			
	955 552 116 02 6B7	steel grey			
	955 552 116 02 8G1	Sand beige			
(4)	955 552 116 02	Cover (leather)	right	1	PR: 3D3, 3D5,

Model: 9PA108 Model life 2007>>2010

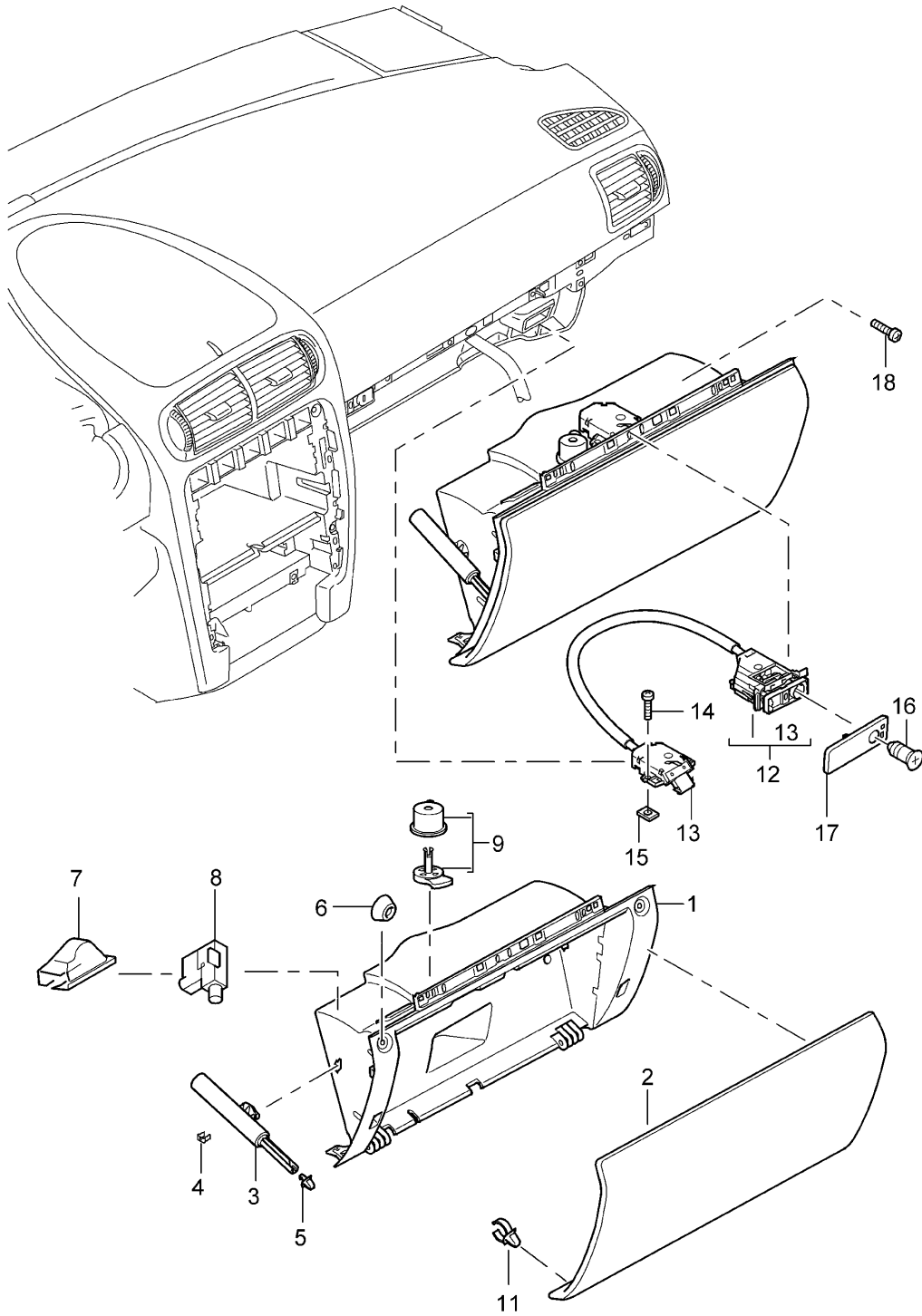
Pos	Part Number	Description	Remark	Qty	Model
		Centre part D - MJ 2009>>			3D8, 4N3, 4N8
4	955 552 116 02 8YR	Black			
	955 552 116 02 6B7	steel grey			
	955 552 116 02 8G1	Sand beige			
	955 552 115 03	Cover	left	1	PR:3D4,4N8
		Centre part Leather Nature			
(4)	955 552 115 03 J69	chestnut brown			
	955 552 116 03	Cover	right	1	PR:3D4,4N8
		Centre part Leather Nature			
5	955 552 116 03 J69	chestnut brown			
	955 552 189 00	Cover	upper	1	
		Centre part Lacquered			
	955 552 189 00 5V7	Stone grey			
	955 552 189 00 5Y9	Havanna			
	955 552 189 00 A03	Black			
	955 552 189 00 5Z1	Sand beige			
6	N 906 986 01	Hexagon socket head panel bolt ST 4,2 X 16 Mount Cover		2	
		Centre part			
7	955 552 263 03	Centre nozzle Lacquered		1	
	955 552 263 03 A03	Black			
	955 552 263 03 5V7	Stone grey			
	955 552 263 03 5Y9	Havanna			
	955 552 263 03 5Z1	Sand beige			
(8)	955 552 093 04	Stowage box Instrument panel trim Centre part		1	
		D >> - MJ 2008			
(8)	955 552 093 04	Stowage box Instrument panel trim Centre part		1	PR:7Q0,7Q2, 7T1,7T7
		D - MJ 2009>>			
(8)	955 552 093 05	Stowage box Instrument panel trim Centre part		1	PR:7Q4
		D - MJ 2009>>			
9	N 906 986 01	Hexagon socket head panel bolt ST 4,2 X16 Mount Stowage box		8	
		Centre part			
10	955 552 243 01	Stowage box Centre part		1	PR:7Q0,8DU
		D >> - MJ 2008			
	955 552 243 01 A03	Black			
11	955 552 244 00	Mat for Stowage box		1	PR:7Q0,8DU
		D >> - MJ 2008			
12	955 552 245 02	ashtray Instrument panel trim Centre part		1	PR:9JB
13	955 552 246 00	Ashtray insert Instrument panel trim		1	PR:9JB

Model: 9PA108 Model life 2007>>2010

Pos	Part Number	Description	Remark	Qty	Model
14	955 552 247 01	Centre part Stowage compartment Instrument panel trim Centre part Lacquered		1	PR:9JA
15	955 552 247 01 A03 N 906 988 01	Black Speed nut ST 4,2 X 16 X 12 Mount ashtray		2	
16	N 906 986 01	Stowage compartment Hexagon socket head panel bolt ST 4,2 X 16 Mount ashtray		2	
17	955 552 248 00	Stowage compartment Trim ashtray Stowage compartment Lacquered		1	PR:4N1
(17)	955 552 248 00 A03 955 552 248 00 5V7 955 552 248 00 5Y9 955 552 249 00	Black Stone grey Havanna Trim ashtray Stowage compartment Lacquered		1	PR:4N3,4N8
(18)	955 552 249 00 A03 955 552 249 00 5V7 955 552 249 00 5Y9 955 552 249 00 5Z1 955 552 380 00	Black Stone grey Havanna Sand beige Trim Centre part Lacquered		1	PR:4A0,5MA
(18)	955 552 380 00 A03 955 552 381 00	Black Trim Centre part		1	PR:4A0,5MG, 5MH,5TE,5TF
(18)	955 552 381 00 62W 955 552 382 00	Satin aluminium Trim Centre part Lacquered		1	PR:4A3,4A4, 5MA
(18)	955 552 382 00 A03 955 552 383 01	Black Trim Centre part		1	PR:4A3,4A4, 5MG,5MH,5TE, 5TF
19	955 552 383 01 62W 955 552 222 00	Satin aluminium Flap Movable Centre part	upper	1	
20	955 552 517 00	Cover trim Centre part		1	
21	955 552 137 00	Clip for Cover Centre part		4	
22	955 552 235 01	Cover Air guide Centre part		1	PR:9AB,9AD
(22)	955 552 236 00	Cover Air guide Centre part		1	PR:9AH

Model: 9PA108

Model life 2007>>2010



Model: 9PA108 Model life 2007>>2010

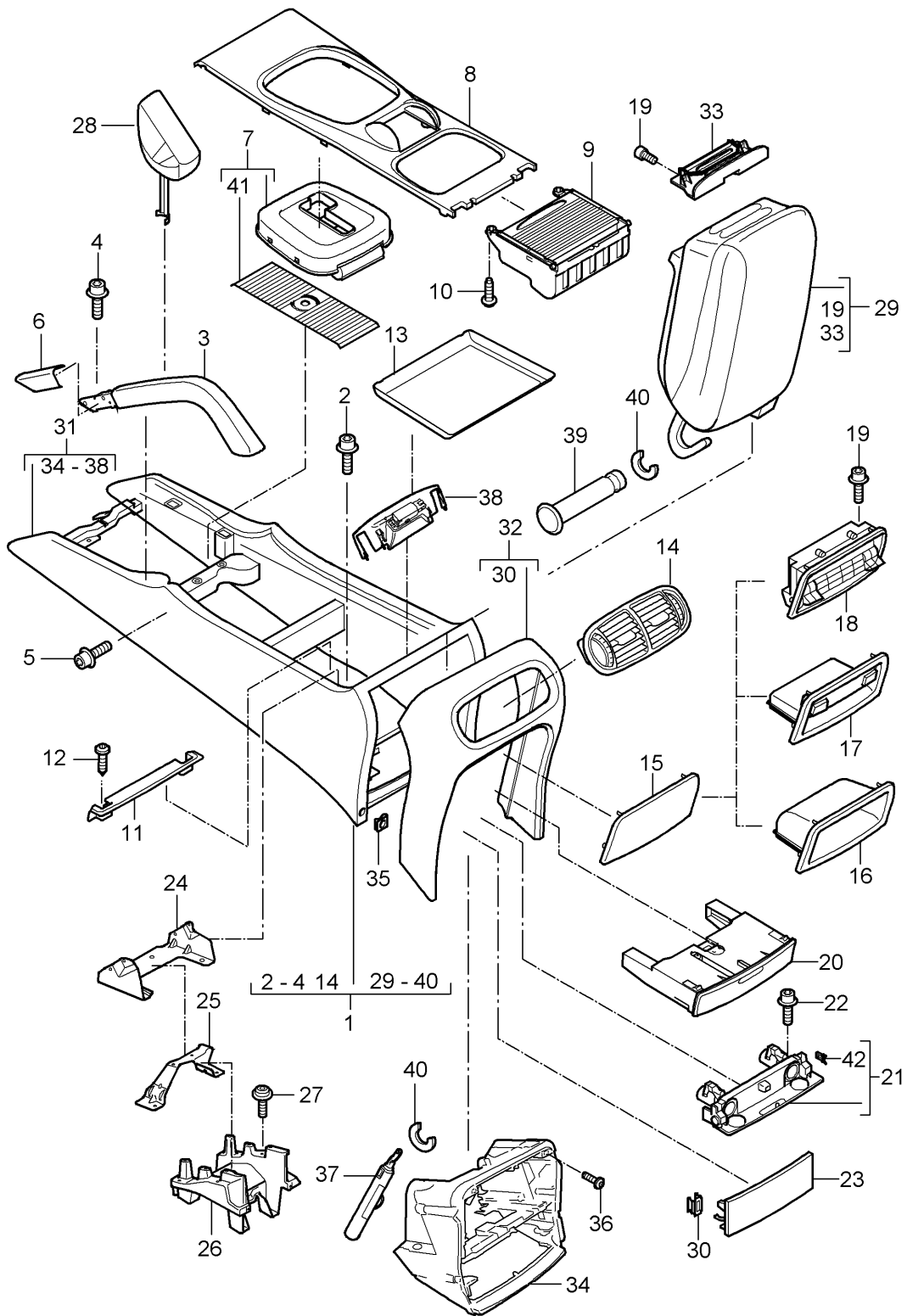
Pos	Part Number	Description	Remark	Qty	Model
(1)	955 552 118 01	Glove box Storage frame		1	
	955 552 118 01 A03	Glove box Black			
2	955 552 120 00	Glove compartment cover		1	PR: 3D1, 4N1
		with: Flap Leatherette			
	955 552 120 00 5Q2	Black			
	955 552 120 00 5R3	steel grey			
	955 552 120 00 5S4	Sand beige			
(2)	955 552 120 00	Glove compartment cover		1	PR: 3D3, 4N1
		with: Flap Leatherette			
	955 552 120 00 5Q2	Black			
	955 552 120 00 5R3	steel grey			
	955 552 120 00 5S4	Sand beige			
(2)	955 552 121 00	Glove compartment cover		1	PR: 3D1, 3D3, 3D5, 3D8, 4N8
		D >> - MJ 2008			
	955 552 121 00 6B7	steel grey			
	955 552 121 00 8G1	Sand beige			
	955 552 121 00 8YR	Black			
(2)	955 552 121 00	Glove compartment cover		1	PR: 3D3, 3D5, 3D8, 4N3, 4N8
		with: Flap D - MJ 2009>>			
	955 552 121 00 6B7	steel grey			
	955 552 121 00 8G1	Sand beige			
	955 552 121 00 8YR	Black			
(2)	955 552 121 10	Glove compartment cover		1	PR: 3D4, 4N8
		with: Flap			
	955 552 121 10 J69	chestnut brown			
3	955 552 122 00	Damper		2	
		Glove box			
4	955 552 107 00	Retaining clip		2	
		Damper			
5	955 552 123 00	Stop		2	
		Damper			
6	955 552 124 00	Stop buffer		2	
		Glove box			
7		Glove box light		1	
		see illustration:	903-004		
8		Contact switch for Glove box light		1	
		see illustration:	903-004 lower		
9	955 570 701 00	Air vent Glove box		1	
11	955 552 126 00	Bracket Ink pen holder		1	
12	955 552 127 01	Glove compartment cover housing		1	
13	955 552 128 00	Glove compartment lock catch		1	
14	N 906 986 01	Glove box Hexagon socket head panel bolt ST 4,2 X 16		2	
		Mount			
15	N 906 988 01	catch Speed nut		2	
		Mount			

Model: 9PA108 Model life 2007>>2010

Pos	Part Number	Description	Remark	Qty	Model
16	996 552 915 01	4,2 X 16 X12 catch Lock cylinders Glove box Vehicle Ident. No. Indicate		1	
17	955 552 449 00	Trim Glove compartment lock plastic Lacquered		1	PR:5MA
(17)	955 552 449 00 5X2 955 552 450 00	Silver mat chrome Trim Glove compartment lock D >> - MJ 2008		1	PR:5MG,5TE, 5TF,5TK
(17)	955 552 450 00 62W 955 552 450 00	Satin aluminium Trim Glove compartment lock D - MJ 2009>>		1	PR:5MG,5MH, 5TE,5TF
18	955 552 450 00 62W N 906 986 01	Satin aluminium Hexagon socket head panel bolt ST 4,2 X 16 Mount Glove box		7	

Model: 9PA108

Model life 2007>>2010



Model: 9PA108 Model life 2007>>2010

Pos	Part Number	Description	Remark	Qty	Model
1	955 552 201 05	Centre console D >> - MJ 2008	front	1	PR:3D1,6E3, 9AH,9W0,9W1, 9ZF,9ZT
	955 552 201 05 5Q2	Leatherette Black			
	955 552 201 05 5R3	steel grey			
	955 552 201 05 5S4	Sand beige			
(1)	955 552 205 04	Centre console	front	1	PR:3D1,6E3, 9AB,9AD,9W0, 9W1,9ZF,9ZT
	955 552 205 04 5Q2	Leatherette Black			
	955 552 205 04 5R3	steel grey			
	955 552 205 04 5S4	Sand beige			
(1)	955 552 204 06	Centre console	front	1	PR:3D1,6E3, 9AH,9ZP
	955 552 204 06 5Q2	Leatherette Black			
	955 552 204 06 5R3	steel grey			
	955 552 204 06 5S4	Sand beige			
(1)	955 552 202 05	Centre console	front	1	PR:3D1,6E3, 9AB,9AD,9ZP
	955 552 202 05 5Q2	Leatherette Black			
	955 552 202 05 5R3	steel grey			
	955 552 202 05 5S4	Sand beige			
(1)	955 552 206 04	Centre console	front	1	PR:3D3,6E7, 9AB,9AD,9W0, 9W1,9ZF,9ZT
	955 552 206 04 5Q2	Partial leather Black			
	955 552 206 04 5R3	steel grey			
	955 552 206 04 5S4	Sand beige			
(1)	955 552 206 04	Centre console	front	1	PR:E0W,3D3, 6E7,9AB,9AD, 9W0,9W1,9ZF, 9ZT
	955 552 206 04 5Q2	Partial leather D - MJ 2008>> - MJ 2008			
	955 552 206 04 5R3	Black			
	955 552 206 04 5S4	steel grey			
(1)	955 552 207 05	Centre console	front	1	PR:3D3,6E7, 9AH,9W0,9W1, 9ZF,9ZT
	955 552 207 05 5Q2	Partial leather Black			
	955 552 207 05 5R3	steel grey			
	955 552 207 05 5S4	Sand beige			
(1)	955 552 207 05	Centre console	front	1	PR:E0W,3D3, 6E7,9AH,9W0, 9W1,9ZF,9ZT
	955 552 207 05 5Q2	Partial leather D - MJ 2008>> - MJ 2008			
	955 552 207 05 5R3	Black			
	955 552 207 05 5S4	steel grey			
(1)	955 552 209 05	Centre console	front	1	PR:3D3,6E7, 9AB,9AD,9ZP
	955 552 209 05 5Q2	Partial leather Black			

Model: 9PA108 Model life 2007>>2010

Pos	Part Number	Description	Remark	Qty	Model
(1)	955 552 209 05 5R3	steel grey	front	1	PR:E0W,3D3, 6E7,9AB,9AD, 9ZP
	955 552 209 05 5S4	Sand beige			
	955 552 209 05	Centre console			
(1)		Partial leather D - MJ 2008>> - MJ 2008	front	1	PR:3D3,6E7, 9AH,9ZP
	955 552 209 05 5Q2	Black			
	955 552 209 05 5R3	steel grey			
(1)	955 552 210 06	Centre console	front	1	PR:3D3,6E7, 9AH,9ZP
		Partial leather			
	955 552 210 06 5Q2	Black			
(1)	955 552 210 06 5R3	steel grey	front	1	PR:E0W,3D3, 6E7,9AH,9ZP
	955 552 210 06 5S4	Sand beige			
	955 552 210 06	Centre console			
(1)		Partial leather D - MJ 2008>> - MJ 2008	front	1	PR:3D8,6E6, 9AB,9AD,9W0, 9W1,9ZF,9ZT
	955 552 210 06 5Q2	Black			
	955 552 210 06 5R3	steel grey			
(1)	955 552 211 04	Centre console	front	1	PR:3D8,6E6, 9AB,9AD,9W0, 9W1,9ZF,9ZT
		Leather			
	955 552 211 04 6B7	steel grey			
(1)	955 552 211 04 8G1	Sand beige	front	1	PR:3D8,6E6, 9AH,9W0,9W1, 9ZF,9ZT
	955 552 211 04 8YR	Black			
	955 552 212 05	Centre console			
(1)		Leather	front	1	PR:3D8,6E6, 9AB,9AD,9ZP
	955 552 212 05 6B7	steel grey			
	955 552 212 05 8G1	Sand beige			
(1)	955 552 213 05	Centre console	front	1	PR:3D8,6E6, 9AB,9AD,9ZP
		Leather			
	955 552 213 05 6B7	steel grey			
(1)	955 552 213 05 8G1	Sand beige	front	1	PR:3D8,6E6, 9AH,9ZP
	955 552 213 05 8YR	Black			
	955 552 214 06	Centre console			
(1)		Leather	front	1	PR:3D4,9AB, 9AD,9W0,9W1, 9ZF,9ZT
	955 552 214 06 6B7	steel grey			
	955 552 214 06 8G1	Sand beige			
(1)	955 552 215 01	Centre console	front	1	PR:3D4,9AB, 9W0,9W1,9ZF, 9ZT
		Leather			
	955 552 215 01 J69	chestnut brown			
(1)	955 552 216 01	Centre console	front	1	PR:3D4,9AH, 9W0,9W1,9ZF, 9ZT
		Leather			
	955 552 216 01 J69	chestnut brown			
(1)	955 552 217 01	Centre console	front	1	PR:3D4,9AB, 9AD,9ZP

Model: 9PA108 Model life 2007>>2010

Pos	Part Number	Description	Remark	Qty	Model
(1)	955 552 217 01 J69 955 552 218 01	Leather Nature chestnut brown Centre console	front	1	PR:3D4,9AH, 9ZP
1	955 552 218 01 J69 955 552 215 10	Leather Nature chestnut brown Centre console	front	1	PR:E0W,3D5, 6E4,9AB,9AD, 9W0,9W1,9ZF, 9ZT
(1)	955 552 215 10 5E5 955 552 215 10 5E6 955 552 215 10 5G6 955 552 216 10	Alcantara D - MJ 2008>> - MJ 2008 steel grey Black Sand beige Centre console	front	1	PR:E0W,3D5, 6E4,9AH,9W0, 9W1,9ZF,9ZT
(1)	955 552 216 10 5E5 955 552 216 10 5E6 955 552 216 10 5G6 955 552 217 10	Alcantara D - MJ 2008>> - MJ 2008 steel grey Black Sand beige Centre console	front	1	PR:E0W,3D5, 6E4,9AB,9AD, 9ZP
(1)	955 552 217 10 5E5 955 552 217 10 5E6 955 552 217 10 5G6 955 552 218 10	Alcantara D - MJ 2008>> - MJ 2008 steel grey Black Sand beige Centre console	front	1	PR:E0W,6E4, 9AH,9ZP
2	955 552 218 10 5E5 955 552 218 10 5E6 955 552 218 10 5G6 N 103 472 04	Alcantara D - MJ 2008>> - MJ 2008 steel grey Black Sand beige Hexagon socket head bolt, self-locking Mount	front	18	
(3)	955 552 645 01	Centre console Grab handle Centre console Leather	left	1	PR:3D8,3D5
(3)	955 552 645 01 6B7 955 552 645 01 8G1 955 552 645 01 8YR 955 552 646 01	steel grey Sand beige Black Grab handle Centre console Leather	right	1	PR:3D8,3D5
(3)	955 552 646 01 6B7 955 552 646 01 8G1 955 552 646 01 8YR 955 552 647 01	steel grey Sand beige Black Grab handle Centre console Leatherette	left	1	PR:3D1,3D3
(3)	955 552 647 01 A08 955 552 647 01 T25 955 552 647 01 6E1 955 552 648 01	Black Sand beige steel grey Grab handle	right	1	PR:3D1,3D3

Model: 9PA108 Model life 2007>>2010

Pos	Part Number	Description	Remark	Qty	Model
		Centre console Leatherette			
	955 552 648 01 A08	Black			
	955 552 648 01 T25	Sand beige			
	955 552 648 01 6E1	steel grey			
(3)	955 552 649 00	Grab handle	left	1	PR:3D4
		Centre console Leather Nature			
	955 552 649 00 J69	chestnut brown			
(3)	955 552 650 00	Grab handle	right	1	PR:3D4
		Centre console Leather Nature			
	955 552 650 00 J69	chestnut brown			
4	N 103 472 04	Hexagon socket head bolt, self-locking M 6 X 25 Mount	front	2	
		Grab handle			
5	N 101 112 03	Socket head bolt with hexagon socket head (combination) M 8 X 85 Mount	rear	2	
		Grab handle			
6	955 552 633 01	Cover cap	left	1	
		Grab handle Centre console Lacquered			
	955 552 633 01 A03	Black			
	955 552 633 01 7BA	steel grey			
	955 552 633 01 L58	chestnut brown			
	955 552 633 01 5Z1	Sand beige			
(6)	955 552 634 01	Cover cap	right	1	
		Grab handle Centre console Lacquered			
	955 552 634 01 A03	Black			
	955 552 634 01 7BA	steel grey			
	955 552 634 01 L58	chestnut brown			
	955 552 634 01 5Z1	Sand beige			
7	955 552 261 01	Shift gate	lhd	1	PR:L0L,G0R
	955 552 261 01 62W	Satin aluminium			
(7)	955 552 262 01	Shift gate	rhd	1	PR:L0R,G0R
	955 552 262 01 62W	Satin aluminium			
8	955 552 279 03	Cover panel Lacquered		1	PR:D5X,5MA
	955 552 279 03 A03	Black			
	955 552 279 03 7BA	steel grey			
	955 552 279 03 L58	chestnut brown			
	955 552 279 03 5Z1	Sand beige			
(8)	955 552 280 03	Cover panel		1	PR:D5V,D5Z, 5MA,5TE
		Lacquered			
	955 552 280 03 A03	Black			
	955 552 280 03 7BA	steel grey			
	955 552 280 03 L58	chestnut brown			
	955 552 280 03 5Z1	Sand beige			
(8)	955 552 292 02	Cover panel		1	PR:5TF
		Centre console			
	955 552 292 02 4V8	High-gloss olive ash burl			
(8)	955 552 297 02	Cover panel		1	PR:5MG
		Centre console			

Model: 9PA108 Model life 2007>>2010

Pos	Part Number	Description	Remark	Qty	Model
(8)	955 552 297 02 4X2 955 552 301 02	Rootwood Cover panel		1	PR:5TK
9	955 552 301 02 9Z4 955 552 283 02	Centre console Super-matt olive ash burl Retainer for centre console		1	PR:3D5,5MA, 5TE
		Beverages Lacquered			
	955 552 283 02 L58	chestnut brown			
	955 552 283 02 A03	Black			
	955 552 283 02 7BA	steel grey			
	955 552 283 02 5Z1	Sand beige			
(9)	955 552 284 02	Retainer for centre console		1	PR:5TF
		Beverages			
(9)	955 552 284 02 4V8 955 552 285 02	High-gloss olive ash burl Retainer for centre console		1	PR:5MG
		Beverages			
(9)	955 552 285 02 4X2 955 552 290 02	Rootwood Retainer for centre console		1	PR:5TK
		Beverages			
-	955 552 290 02 9Z4	Super-matt olive ash burl		1	
10	955 552 105 00 N 106 514 01	Guard plate Bolt with washer		2	
		M 4 X 10			
		Mount			
		Beverages			
		Bracket			
11	955 552 083 00	Cover for centre console		1	
		Closing element			
		Lacquered			
12	955 552 083 00 A03 000 043 205 85	Black Hexagon socket head bolt		2	
		M 4 X 10			
		Mount			
		Cover			
		Closing element			
13	955 552 328 00	Mat		1	
14	955 552 203 02	Centre nozzle		1	
		Lacquered			
	955 552 203 02 A03	Black			
	955 552 203 02 7BA	steel grey			
	955 552 203 02 5Z1	Sand beige			
15	955 552 338 00	Cover panel	rear	1	PR:D5X,4A0, 4A3,5MA,9AB, 9AD
		Centre console			
		Lacquered			
	955 552 338 00 A03	Black			
	955 552 338 00 7BA	steel grey			
	955 552 338 00 L58	chestnut brown			
	955 552 338 00 5Z1	Sand beige			
16	955 552 438 01	tray	rear	1	PR:D5V,4A0, 4A3,5MA,9AB, 9AD
		Centre console			
		Lacquered			
(16)	955 552 438 01 A03 955 552 340 01	Black tray		1	PR:4A0,4A3, 5MG,9AB,9AD
		Centre console			
(16)	955 552 340 01 62W 955 552 340 01	Satin aluminium tray		1	PR:4A0,4A3, 5TE,9AB,9AD
		Centre console			
(16)	955 552 340 01 62W 955 552 340 01	Satin aluminium tray		1	PR:4A0,4A3,

Model: 9PA108 Model life 2007>>2010

Pos	Part Number	Description	Remark	Qty	Model
		Centre console			5TF, 9AB, 9AD
(16)	955 552 340 01 62W 955 552 340 01	Satin aluminium tray		1	PR: 4A0, 4A3, 5TK, 9AB, 9AD
17	955 552 340 01 62W 955 552 148 00	Centre console Satin aluminium Trim for centre console		1	PR: 4A4, 5MA, 9AB, 9AD
(17)	955 552 148 00 A03 955 552 149 00	Seat heater Lacquered Black Trim for centre console		1	PR: 4A4, 5MG, 9AB, 9AD
(17)	955 552 149 00 62W 955 552 149 00	Seat heater Satin aluminium Trim for centre console		1	PR: 4A4, 5TE, 9AB, 9AD
(17)	955 552 149 00 62W 955 552 149 00	Seat heater Satin aluminium Trim for centre console		1	PR: 4A4, 5TF, 9AB, 9AD
(17)	955 552 149 00 62W 955 552 149 00	Seat heater Satin aluminium Trim for centre console		1	PR: 4A4, 5TK, 9AB, 9AD
18	955 552 149 00 62W 955 552 153 00	Seat heater Satin aluminium Trim for centre console		1	PR: 5MA, 9AH
(18)	955 552 153 00 A03 955 552 154 00	Lacquered Black Trim for centre console		1	PR: 5MG, 9AH
(18)	955 552 154 00 62W 955 552 154 00	Control panel Air conditioning Satin aluminium Trim for centre console		1	PR: 5TE, 9AH
(18)	955 552 154 00 62W 955 552 154 00	Control panel Air conditioning Satin aluminium Trim for centre console		1	PR: 5TF, 9AH
(18)	955 552 154 00 62W 955 552 154 00	Control panel Air conditioning Satin aluminium Trim for centre console		1	PR: 5TK, 9AH
19	955 552 154 00 62W N 104 561 01	Satin aluminium Socket head bolt with inner multipoint head		2	
(20)	955 552 286 03 955 552 286 03 A03 955 552 286 03 7BA 955 552 286 03 L58 955 552 286 03 5Z1	M 4 X 10 Retainer for centre console Beverages Lacquered Black steel grey chestnut brown Sand beige	rear	1	PR: 5MA, 5TE
(20)	955 552 287 03	Retainer for centre console Beverages	rear	1	PR: 5MG
(20)	955 552 287 03 4X2 955 552 288 03	Rootwood Retainer for centre console Beverages	rear	1	PR: 5TF
	955 552 288 03 4V8	High-gloss olive ash burl			

Model: 9PA108 Model life 2007>>2010

Pos	Part Number	Description	Remark	Qty	Model
(20)	955 552 298 02	Retainer for centre console Beverages		1	PR:5TK
21	955 552 298 02 9Z4	Super-matt olive ash burl		1	PR:5MA, 5TE, 7B6, 7B7
	955 552 160 01	Trim for centre console Connector housing 2 Hole Lacquered Valid up to: F >> 9P-8LA18 170 F >> 9P-8LA48 440 F >> 9P-8LA93 520			
(21)	955 552 160 01 A03	Black		1	PR:5MA, 5TE, 7B2, 7B3
	955 552 160 01 7BA	steel grey			
	955 552 160 01 L58	chestnut brown			
	955 552 160 01 5Z1	Sand beige			
	955 552 161 01	Trim for centre console Connector housing 1 Hole Lacquered Valid up to: F >> 9P-8LA18 170 F >> 9P-8LA48 440 F >> 9P-8LA93 520			
(21)	955 552 161 01 A03	Black		1	PR:5TF, 7B6, 7B7
	955 552 161 01 7BA	steel grey			
	955 552 161 01 L58	chestnut brown			
	955 552 161 01 5Z1	Sand beige			
	955 552 162 00	Trim for centre console Connector housing 2 Hole Valid up to: F >> 9P-8LA18 170 F >> 9P-8LA48 440 F >> 9P-8LA93 520			
(21)	955 552 162 00 4V8	High-gloss olive ash burl		1	PR:5TF, 7B2, 7B3
	955 552 163 00	Trim for centre console Connector housing 1 Hole Valid up to: F >> 9P-8LA18 170 F >> 9P-8LA48 440 F >> 9P-8LA93 520			
(21)	955 552 163 00 4V8 955 552 164 00	High-gloss olive ash burl Trim for centre console Connector housing 2 Hole Valid up to: F >> 9P-8LA18 170 F >> 9P-8LA48 440 F >> 9P-8LA93 520		1	

Model: 9PA108 Model life 2007>>2010

Pos	Part Number	Description	Remark	Qty	Model
(21)	955 552 164 00 4X2 955 552 165 00	Rootwood Trim for centre console Connector housing 1 Hole Valid up to: F >> 9P-8LA18 170 F >> 9P-8LA48 440 F >> 9P-8LA93 520		1	PR:5MG,7B6, 7B7
(21)	955 552 165 00 4X2 955 552 169 00	Rootwood Trim for centre console Connector housing 2 Hole Valid up to: F >> 9P-8LA18 170 F >> 9P-8LA48 440 F >> 9P-8LA93 520		1	PR:5MG,7B2, 7B3
(21)	955 552 169 00 9Z4 955 552 170 00	Super-matt olive ash burl Trim for centre console Connector housing 1 Hole Valid up to: F >> 9P-8LA18 170 F >> 9P-8LA48 440 F >> 9P-8LA93 520		1	PR:5TK,7B6, 7B7
(21)	955 552 170 00 9Z4 955 552 160 02	Super-matt olive ash burl Trim for centre console Connector housing 2 Hole Valid from: F 9P-8LA18 171>> F 9P-8LA48 441>> F 9P-8LA93 521>> Lacquered		1	PR:5TK,7B2, 7B3
(21)	955 552 160 02 A03 955 552 161 02	Black Trim for centre console Connector housing 1 Hole Valid from: F 9P-8LA18 171>> F 9P-8LA48 441>> F 9P-8LA93 521>> Lacquered		1	PR:5MA,7B6, 7B7,9JA,9JB
(21)	955 552 161 02 A03 955 552 162 01	Black Trim for centre console Connector housing 2		1	PR:5MA,7B2, 7B3,9JA,9JB

Model: 9PA108 Model life 2007>>2010

Pos	Part Number	Description	Remark	Qty	Model
		Hole Valid from: F 9P-8LA18 171>> F 9P-8LA48 441>> F 9P-8LA93 521>>			PR: 5MG, 5TE, 5TF, 5TK, 7B6, 7B7, 9JA, 9JB
(21)	955 552 162 01 4W9 955 552 163 01	Satin aluminium Trim for centre console Connector housing 1 Hole Valid from: F 9P-8LA18 171>> F 9P-8LA48 441>> F 9P-8LA93 521>>		1	
22	955 552 163 01 4W9 N 904 552 05	Satin aluminium fillister hd. bolt M 4 X 10 Mount Trim Connector housing		2	PR: 5MG, 5TE, 5TF, 5TK, 7B2, 7B3, 9JA, 9JB
23	955 552 166 00	Dummy cover		1	PR: 5MA, 5TE, 9AB, 9AD
(23)	955 552 166 00 A03 955 552 166 00 7BA 955 552 166 00 L58 955 552 166 00 5Z1 955 552 167 00	Lacquered Black steel grey chestnut brown Sand beige Dummy cover		1	PR: 5MG, 9AB, 9AD
(23)	955 552 167 00 4X2 955 552 168 00	Rootwood Dummy cover		1	PR: 5TF, 9AB, 9AD
(23)	955 552 168 00 4V8 955 552 171 00	High-gloss olive ash burl Dummy cover		1	PR: 5TK, 9AB, 9AD
24	955 552 171 00 9Z4 955 552 849 00	Super-matt olive ash burl Retainer for centre console	front	1	
25	955 552 253 00	Retainer for centre console	center	1	
26	955 552 345 00	Retainer for centre console	rear	1	
27	N 103 472 04	Hexagon socket head bolt, self-locking M 6 X 25		X	
28	955 552 715 01	Cellphone holder	lhd	1	PR: L0L, 9ZF, 9ZT
(28)	955 552 716 01	(complete) Cellphone holder	rhd	1	PR: L0R, 9ZF, 9ZT
29	955 552 307 01	(complete) armrest (leatherette)		1	PR: 6E3, 9W0, 9W1, 9ZF, 9ZT
(29)	955 552 307 01 5Q2 955 552 307 01 5R3 955 552 307 01 5S4 955 552 308 01 955 552 308 01 5Q2	Centre console Black steel grey Sand beige armrest (leatherette) Centre console Black		1	PR: 6E3, 9ZH, 9ZP

Model: 9PA108 Model life 2007>>2010

Pos	Part Number	Description	Remark	Qty	Model
29	955 552 308 01 5R3	steel grey		1	PR:6E6,9W0, 9W1,9ZF,9ZT
	955 552 308 01 5S4	Sand beige			
	955 552 309 01	Armrest			
(29)		Centre console Plain leather		1	PR:6E6,9ZH, 9ZP
	955 552 309 01 6B7	steel grey			
	955 552 309 01 8G1	Sand beige			
	955 552 309 01 8YR	Black			
	955 552 310 01	Armrest			
29		Centre console Plain leather		1	PR:6E7,9W0, 9W1,9ZF,9ZT
	955 552 310 01 6B7	steel grey			
	955 552 310 01 8G1	Sand beige			
	955 552 310 01 8YR	Black			
	955 552 311 01	armrest (leather)			
29		Centre console Embossed		1	PR:E0W,6E7, 9W0,9W1,9ZF, 9ZT
	955 552 311 01 A08	Black			
	955 552 311 01 T25	Sand beige			
	955 552 311 01 6E1	steel grey			
	955 552 311 01	armrest (leather)			
(29)		Centre console Embossed D - MJ 2008>> - MJ 2008		1	PR:6E7,9ZH, 9ZP
	955 552 311 01 A08	Black			
	955 552 311 01 T25	Sand beige			
	955 552 311 01 6E1	steel grey			
	955 552 312 01	armrest (leather)			
(29)		Centre console Embossed		1	PR:E0W,6E7, 9ZP
	955 552 312 01 A08	Black			
	955 552 312 01 T25	Sand beige			
	955 552 312 01 6E1	steel grey			
	955 552 312 01	armrest (leather)			
29		Centre console Embossed D - MJ 2008>> - MJ 2008		1	PR:6E2,9W0, 9W1,9ZF,9ZT
	955 552 312 01 A08	Black			
	955 552 312 01 T25	Sand beige			
	955 552 312 01 6E1	steel grey			
	955 552 313 00	armrest (leather)			
(29)		Centre console Leather Nature		1	PR:6E2,9ZH, 9ZP
	955 552 313 00 J69	chestnut brown			
	955 552 314 00	armrest (leather)			
29		Centre console Leather Nature		1	PR:E0W,6E4, 9W0,9W1,9ZF, 9ZT
	955 552 314 00 J69	chestnut brown			
	955 552 315 00	armrest (alcantara)			
(29)		Centre console D - MJ 2008>> - MJ 2008		1	PR:E0W,6E4, 9ZP
	955 552 315 00 5E5	steel grey			
	955 552 315 00 5E6	Black			
	955 552 315 00 5G6	Sand beige			
	955 552 316 00	armrest (alcantara)			
		Centre console			

Model: 9PA108 Model life 2007>>2010

Pos	Part Number	Description	Remark	Qty	Model
		D - MJ 2008>> - MJ 2008			
	955 552 316 00 5E5	steel grey			
	955 552 316 00 5E6	Black			
	955 552 316 00 5G6	Sand beige			
30	955 552 107 00	Retaining clip		X	
		Centre console			
31	955 552 321 01	Centre console		1	PR:3D1,3D3,9AB,9AD
	955 552 321 01 5Q2	Black			
	955 552 321 01 5R3	steel grey			
	955 552 321 01 5S4	Sand beige			
31	955 552 321 01	Centre console		1	PR:E0W,3D1,3D3,9AB,9AD
		D - MJ 2008>> - MJ 2008			
	955 552 321 01 5Q2	Black			
	955 552 321 01 5R3	steel grey			
	955 552 321 01 5S4	Sand beige			
(31)	955 552 322 01	Centre console		1	PR:3D1,3D3,9AH
	955 552 322 01 5Q2	Black			
	955 552 322 01 5R3	steel grey			
	955 552 322 01 5S4	Sand beige			
(31)	955 552 322 01	Centre console		1	PR:E0W,3D1,3D3,9AH
		D - MJ 2008>> - MJ 2008			
	955 552 322 01 5Q2	Black			
	955 552 322 01 5R3	steel grey			
	955 552 322 01 5S4	Sand beige			
(31)	955 552 323 01	Centre console		1	PR:3D8,9AB,9AD
		Leather			
	955 552 323 01 6B7	steel grey			
	955 552 323 01 8G1	Sand beige			
	955 552 323 01 8YR	Black			
(31)	955 552 324 01	Centre console		1	PR:3D8,9AH
		Leather			
	955 552 324 01 6B7	steel grey			
	955 552 324 01 8G1	Sand beige			
	955 552 324 01 8YR	Black			
(31)	955 552 325 01	Centre console		1	PR:3D4,9AB,9AD
		Leather			
		Nature			
	955 552 325 01 J69	chestnut brown			
(31)	955 552 326 01	Centre console		1	PR:3D4,9AH
		Leather			
		Nature			
	955 552 326 01 J69	chestnut brown			
(31)	955 552 325 10	Centre console		1	PR:E0W,3D5,9AB,9AD
		Alcantara			
		D - MJ 2008>> - MJ 2008			
	955 552 325 10 5E5	steel grey			
	955 552 325 10 5E6	Black			
	955 552 325 10 5G6	Sand beige			
(31)	955 552 326 10	Centre console		1	PR:E0W,3D5,9AH
		Alcantara			
		D - MJ 2008>> - MJ 2008			
	955 552 326 10 5E5	steel grey			
	955 552 326 10 5E6	Black			
	955 552 326 10 5G6	Sand beige			
32	955 552 497 00	Cover cap		1	PR:3D1,3D3,9AB,9AD
		Centre console			
	955 552 497 00 5Q2	Black			

Model: 9PA108 Model life 2007>>2010

Pos	Part Number	Description	Remark	Qty	Model
32	955 552 497 00 5R3	steel grey		1	PR:E0W,3D1, 3D3,9AB,9AD
	955 552 497 00 5S4	Sand beige			
	955 552 497 00	Cover cap			
		Centre console D - MJ 2008>> - MJ 2008			
	955 552 497 00 5Q2	Black			
	955 552 497 00 5R3	steel grey			
	955 552 497 00 5S4	Sand beige			
(32)	955 552 498 00	Cover cap		1	PR:3D1,3D3, 9AH
		Centre console			
	955 552 498 00 5Q2	Black			
	955 552 498 00 5R3	steel grey			
	955 552 498 00 5S4	Sand beige			
(32)	955 552 498 00	Cover cap		1	PR:E0W,3D1, 3D3,9AH
		Centre console D - MJ 2008>> - MJ 2008			
	955 552 498 00 5Q2	Black			
	955 552 498 00 5R3	steel grey			
	955 552 498 00 5S4	Sand beige			
(32)	955 552 499 00	Cover cap (leather)		1	PR:3D8,9AB, 9AD
		Centre console			
	955 552 499 00 6B7	steel grey			
	955 552 499 00 8G1	Sand beige			
	955 552 499 00 8YR	Black			
(32)	955 552 500 00	Cover cap (leather)		1	PR:3D8,9AH
		Centre console			
	955 552 500 00 6B7	steel grey			
	955 552 500 00 8G1	Sand beige			
	955 552 500 00 8YR	Black			
(32)	955 552 501 00	Cover cap		1	PR:3D4,9AB, 9AD
		Centre console			
	955 552 501 00 J69	chestnut brown			
(32)	955 552 502 00	Cover cap		1	PR:3D4,9AH
		Centre console			
	955 552 502 00 J69	chestnut brown			
32	955 552 501 10	Cover cap	GTS	1	PR:E0W,3D5, 9AB,9AD
		Centre console D - MJ 2008>> - MJ 2008			
	955 552 501 10 6B7	steel grey			
	955 552 501 10 8G1	Sand beige			
	955 552 501 10 8YR	Black			
(32)	955 552 502 10	Cover cap	GTS	1	PR:E0W,3D5, 9AH
		Centre console D - MJ 2008>> - MJ 2008			
	955 552 502 10 6B7	steel grey			
	955 552 502 10 8G1	Sand beige			
	955 552 502 10 8YR	Black			
33	955 552 698 00	Release		1	
		Armrest			
	955 552 698 00 A03	Black			
	955 552 698 00 7BA	steel grey			
	955 552 698 00 L58	chestnut brown			
	955 552 698 00 5Z1	Sand beige			
34	955 552 089 00	plate for cap		1	PR:9AB,9AD
(34)	955 552 090 00	plate for cap		1	PR:9AH
35	N 906 988 01	Speed nut		X	

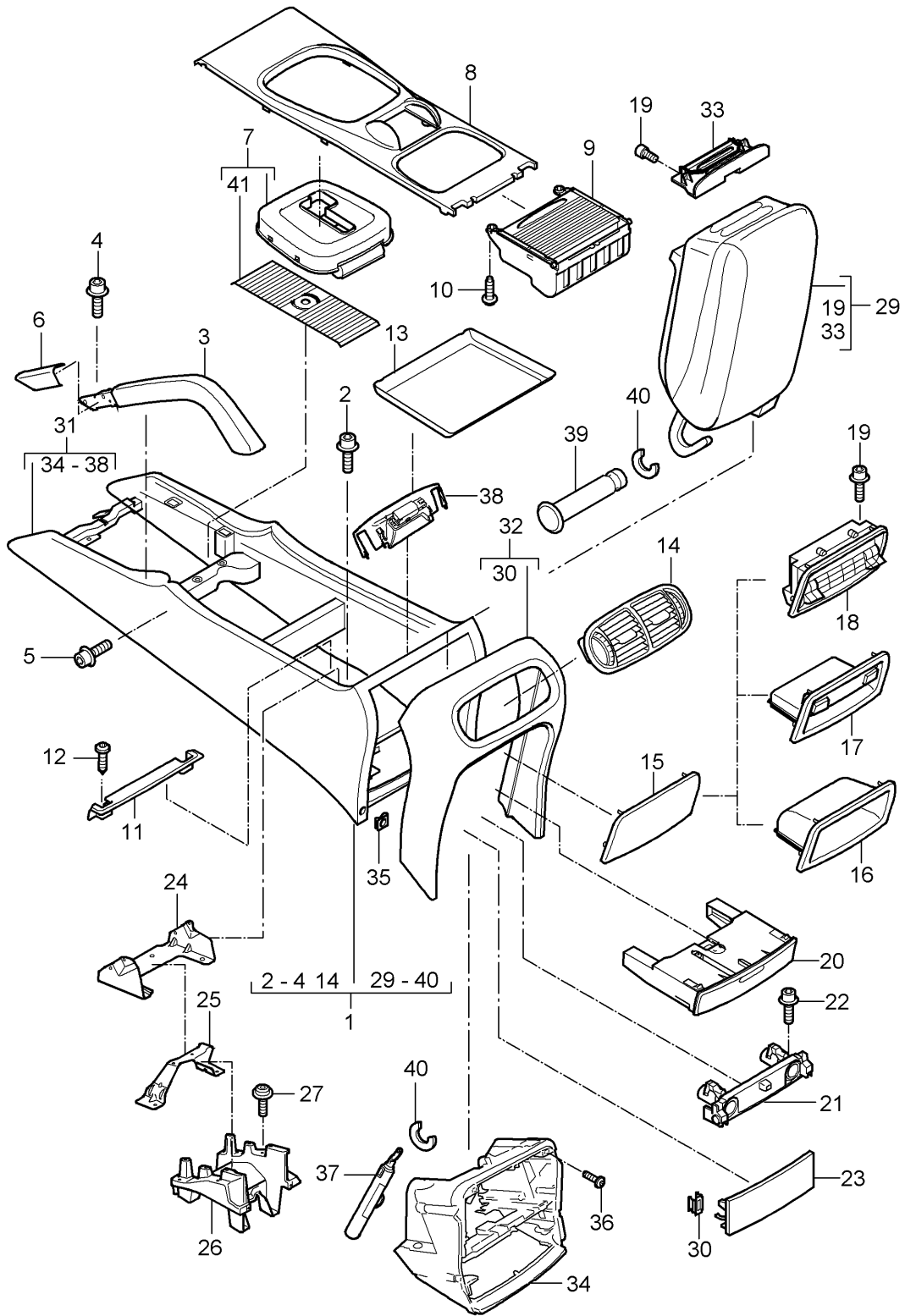
Model: 9PA108

Model life 2007>>2010

Pos	Part Number	Description	Remark	Qty	Model
36	N 906 986 01	ST 4,2 X 16 X 12 Hexagon socket head panel bolt		X	
37	955 552 861 00	ST 4,2 X 16 Damper		2	
38	955 552 591 00	Centre console Trim for centre console		1	
39	N 911 382 01	Lighting Hinge bolt		2	
40	N 012 325 7	Centre console Retaining washer		2	
41	955 552 265 00	roller blind Cover		1	PR:GOR
42	955 553 901 00	Shift gate Damper Insert Connector housing		1	
		Valid up to:			
		F >> 9P-8LA18 170			
		F >> 9P-8LA48 440			
		F >> 9P-8LA93 520			

Model: 9PA108

Model life 2007>>2010



Model: 9PA108 Model life 2007>>2010

Pos	Part Number	Description	Remark	Qty	Model
1	955 553 211 00	Centre console D - MJ 2009>> Centre console	front	1	PR:UF0,3D1, 6E3,9AB,9AD, 9W0,9W1
		Leatherette			
	955 553 211 00 5Q2	Black			
	955 553 211 00 5R3	steel grey			
	955 553 211 00 5S4	Sand beige			
(1)	955 553 211 01	Centre console	front	1	PR:UF0,3D1, 6E3,9AH,9W0, 9W1
		Leatherette			
	955 553 211 01 5Q2	Black			
	955 553 211 01 5R3	steel grey			
	955 553 211 01 5S4	Sand beige			
(1)	955 553 211 02	Centre console	front	1	PR:UF0,3D1, 6E3,9AB,9AD, 9ZP
		Leatherette			
	955 553 211 02 5Q2	Black			
	955 553 211 02 5R3	steel grey			
	955 553 211 02 5S4	Sand beige			
(1)	955 553 211 03	Centre console	front	1	PR:UF0,3D1, 6E3,9AH,9ZP
		Leatherette			
	955 553 211 03 5Q2	Black			
	955 553 211 03 5R3	steel grey			
	955 553 211 03 5S4	Sand beige			
(1)	955 553 211 04	Centre console	front	1	PR:UF0,3D1, 6E3,9AB,9AD, 9W5
		Leatherette			
	955 553 211 04 5Q2	Black			
	955 553 211 04 5R3	steel grey			
	955 553 211 04 5S4	Sand beige			
(1)	955 553 211 05	Centre console	front	1	PR:UF0,3D1, 6E3,9AH,9W5
		Leatherette			
	955 553 211 05 5Q2	Black			
	955 553 211 05 5R3	steel grey			
	955 553 211 05 5S4	Sand beige			
(1)	955 553 211 06	Centre console	front	1	PR:UF1,3D1, 6E3,9AB,9AD, 9W0,9W1
		Leatherette			
	955 553 211 06 5Q2	Black			
	955 553 211 06 5R3	steel grey			
	955 553 211 06 5S4	Sand beige			
(1)	955 553 211 07	Centre console	front	1	PR:UF1,3D1, 6E3,9AH,9W0, 9W1
		Leatherette			
	955 553 211 07 5Q2	Black			
	955 553 211 07 5R3	steel grey			
	955 553 211 07 5S4	Sand beige			
(1)	955 553 211 08	Centre console	front	1	PR:UF1,3D1, 6E3,9AB,9AD, 9ZP
		Leatherette			
	955 553 211 08 5Q2	Black			
	955 553 211 08 5R3	steel grey			
	955 553 211 08 5S4	Sand beige			
(1)	955 553 211 09	Centre console	front	1	PR:UF1,3D1, 6E3,9AH,9ZP
		Leatherette			
	955 553 211 09 5Q2	Black			
	955 553 211 09 5R3	steel grey			
	955 553 211 09 5S4	Sand beige			
(1)	955 553 211 10	Centre console	front	1	PR:UF1,3D1,

Model: 9PA108 Model life 2007>>2010

Pos	Part Number	Description	Remark	Qty	Model
		Leatherette			6E3,9AB,9AD,9W5
	955 553 211 10 5Q2	Black			
	955 553 211 10 5R3	steel grey			
	955 553 211 10 5S4	Sand beige			
(1)	955 553 211 11	Centre console	front	1	PR:UF1,3D1,6E3,9AH,9W5
		Leatherette			
	955 553 211 11 5Q2	Black			
	955 553 211 11 5R3	steel grey			
	955 553 211 11 5S4	Sand beige			
(1)	955 553 212 00	Centre console	front	1	PR:UF0,3D3,6E7,9AB,9AD,9W0,9W1
		Partial leather			
	955 553 212 00 5Q2	Black			
	955 553 212 00 5R3	steel grey			
	955 553 212 00 5S4	Sand beige			
(1)	955 553 212 00	Centre console	front	1	GTS PR:E0W,UF0,3D3,6E7,9AB,9AD,9W0,9W1
		Partial leather			
	955 553 212 00 5Q2	Black			
	955 553 212 00 5R3	steel grey			
	955 553 212 00 5S4	Sand beige			
(1)	955 553 212 01	Centre console	front	1	PR:UF0,3D3,6E7,9AH,9W0,9W1
		Partial leather			
	955 553 212 01 5Q2	Black			
	955 553 212 01 5R3	steel grey			
	955 553 212 01 5S4	Sand beige			
(1)	955 553 212 01	Centre console	front	1	GTS PR:E0W,UF0,3D3,6E7,9AH,9W0,9W1
		Partial leather			
	955 553 212 01 5Q2	Black			
	955 553 212 01 5R3	steel grey			
	955 553 212 01 5S4	Sand beige			
(1)	955 553 212 02	Centre console	front	1	PR:UF0,3D3,6E7,9AB,9AD,9ZP
		Partial leather			
	955 553 212 02 5Q2	Black			
	955 553 212 02 5R3	steel grey			
	955 553 212 02 5S4	Sand beige			
(1)	955 553 212 02	Centre console	front	1	GTS PR:E0W,UF0,3D3,6E7,9AB,9AD,9ZP
		Partial leather			
	955 553 212 02 5Q2	Black			
	955 553 212 02 5R3	steel grey			
	955 553 212 02 5S4	Sand beige			
(1)	955 553 212 03	Centre console	front	1	PR:UF0,3D3,6E7,9AH,9ZP
		Partial leather			
	955 553 212 03 5Q2	Black			
	955 553 212 03 5R3	steel grey			
	955 553 212 03 5S4	Sand beige			
(1)	955 553 212 03	Centre console	front	1	GTS PR:E0W,UF0,3D3,6E7,9AH,9ZP
		Partial leather			
	955 553 212 03 5Q2	Black			
	955 553 212 03 5R3	steel grey			
	955 553 212 03 5S4	Sand beige			

Model: 9PA108 Model life 2007>>2010

Pos	Part Number	Description	Remark	Qty	Model
(1)	955 553 212 04	Centre console	front	1	PR:UF0,3D3, 6E7,9AB,9AD, 9W5
		Partial leather			
	955 553 212 04 5Q2	Black			
	955 553 212 04 5R3	steel grey			
	955 553 212 04 5S4	Sand beige			
(1)	955 553 212 04	Centre console	front	1	GTS PR:E0W,UF0, 3D3,6E7,9AB, 9AD,9W5
		Partial leather			
	955 553 212 04 5Q2	Black			
	955 553 212 04 5R3	steel grey			
	955 553 212 04 5S4	Sand beige			
(1)	955 553 212 05	Centre console	front	1	PR:UF0,3D3, 6E7,9AH,9W5
		Partial leather			
	955 553 212 05 5Q2	Black			
	955 553 212 05 5R3	steel grey			
	955 553 212 05 5S4	Sand beige			
(1)	955 553 212 05	Centre console	front	1	GTS PR:E0W,UF0, 3D3,6E7,9AH, 9W5
		Partial leather			
	955 553 212 05 5Q2	Black			
	955 553 212 05 5R3	steel grey			
	955 553 212 05 5S4	Sand beige			
(1)	955 553 212 06	Centre console	front	1	PR:UF1,3D3, 6E7,9AB,9AD, 9W0,9W1
		Partial leather			
	955 553 212 06 5Q2	Black			
	955 553 212 06 5R3	steel grey			
	955 553 212 06 5S4	Sand beige			
(1)	955 553 212 06	Centre console	front	1	GTS PR:E0W,UF1, 3D3,6E7,9AB, 9AD,9W0,9W1
		Partial leather			
	955 553 212 06 5Q2	Black			
	955 553 212 06 5R3	steel grey			
	955 553 212 06 5S4	Sand beige			
(1)	955 553 212 07	Centre console	front	1	PR:UF1,3D3, 6E7,9AH,9W0, 9W1
		Partial leather			
	955 553 212 07 5Q2	Black			
	955 553 212 07 5R3	steel grey			
	955 553 212 07 5S4	Sand beige			
(1)	955 553 212 07	Centre console	front	1	GTS PR:E0W,UF1, 3D3,6E7,9AH, 9W0,9W1
		Partial leather			
	955 553 212 07 5Q2	Black			
	955 553 212 07 5R3	steel grey			
	955 553 212 07 5S4	Sand beige			
(1)	955 553 212 08	Centre console	front	1	PR:UF1,3D3, 6E7,9AB,9AD, 9ZP
		Partial leather			
	955 553 212 08 5Q2	Black			
	955 553 212 08 5R3	steel grey			
	955 553 212 08 5S4	Sand beige			
(1)	955 553 212 08	Centre console	front	1	GTS PR:E0W,UF1, 3D3,6E7,9AB, 9AD,9ZP
		Partial leather			
	955 553 212 08 5Q2	Black			

Model: 9PA108 Model life 2007>>2010

Pos	Part Number	Description	Remark	Qty	Model
(1)	955 553 212 08 5R3	steel grey	front	1	PR:UF1,3D3, 6E7,9AH,9ZP
	955 553 212 08 5S4	Sand beige			
	955 553 212 09	Centre console			
(1)		Partial leather	front	1	GTS PR:E0W,UF1, 3D3,6E7,9AH, 9ZP
	955 553 212 09 5Q2	Black			
	955 553 212 09 5R3	steel grey			
	955 553 212 09 5S4	Sand beige			
	955 553 212 09	Centre console			
(1)		Partial leather	front	1	PR:UF1,3D3, 6E7,9AB,9AD, 9W5
	955 553 212 09 5Q2	Black			
	955 553 212 09 5R3	steel grey			
	955 553 212 09 5S4	Sand beige			
	955 553 212 10	Centre console			
(1)		Partial leather	front	1	GTS PR:E0W,UF1, 3D3,6E7,9AB, 9AD,9W5
	955 553 212 10 5Q2	Black			
	955 553 212 10 5R3	steel grey			
	955 553 212 10 5S4	Sand beige			
	955 553 212 10	Centre console			
(1)		Partial leather	front	1	PR:UF1,3D3, 6E7,9AH,9W5
	955 553 212 11 5Q2	Black			
	955 553 212 11 5R3	steel grey			
	955 553 212 11 5S4	Sand beige			
	955 553 212 11	Centre console			
(1)		Partial leather	front	1	GTS PR:E0W,UF1, 3D3,6E7,9AH, 9W5
	955 553 212 11 5Q2	Black			
	955 553 212 11 5R3	steel grey			
	955 553 212 11 5S4	Sand beige			
	955 553 212 11	Centre console			
(1)		Partial leather	front	1	PR:UF0,3D8, 6E6,9AB,9AD, 9W0,9W1
	955 553 212 11 5Q2	Black			
	955 553 212 11 5R3	steel grey			
	955 553 212 11 5S4	Sand beige			
	955 553 213 00	Centre console			
(1)		Leather	front	1	PR:UF0,3D8, 6E6,9AH,9W0, 9W1
	955 553 213 00 6B7	steel grey			
	955 553 213 00 8G1	Sand beige			
	955 553 213 00 8YR	Black			
	955 553 213 01	Centre console			
(1)		Leather	front	1	PR:UF0,3D8, 6E6,9AB,9AD, 9ZP
	955 553 213 01 6B7	steel grey			
	955 553 213 01 8G1	Sand beige			
	955 553 213 01 8YR	Black			
	955 553 213 02	Centre console			
(1)		Leather	front	1	PR:UF0,3D8, 6E6,9AH,9ZP
	955 553 213 02 6B7	steel grey			
	955 553 213 02 8G1	Sand beige			
	955 553 213 02 8YR	Black			
	955 553 213 03	Centre console			
		Leather			
	955 553 213 03 6B7	steel grey			

Model: 9PA108 Model life 2007>>2010

Pos	Part Number	Description	Remark	Qty	Model
(1)	955 553 213 03 8G1	Sand beige	front	1	PR:UF0,3D8, 6E6,9AB,9AD, 9W5
	955 553 213 03 8YR	Black			
	955 553 213 04	Centre console			
(1)		Leather	front	1	PR:UF0,3D8, 6E6,9AH,9W5
	955 553 213 04 6B7	steel grey			
	955 553 213 04 8G1	Sand beige			
(1)	955 553 213 04 8YR	Black	front	1	PR:UF1,3D8, 6E6,9AB,9AD, 9W0,9W1
	955 553 213 05	Centre console			
		Leather			
(1)	955 553 213 05 6B7	steel grey	front	1	PR:UF1,3D8, 6E6,9AB,9AD, 9W0,9W1
	955 553 213 05 8G1	Sand beige			
	955 553 213 05 8YR	Black			
(1)	955 553 213 06	Centre console	front	1	PR:UF1,3D8, 6E6,9AB,9AD, 9W0,9W1
		Leather			
	955 553 213 06 6B7	steel grey			
(1)	955 553 213 06 8G1	Sand beige	front	1	PR:UF1,3D8, 6E6,9AH,9W0, 9W1
	955 553 213 06 8YR	Black			
	955 553 213 07	Centre console			
(1)		Leather	front	1	PR:UF1,3D8, 6E6,9AB,9AD, 9ZP
	955 553 213 07 6B7	steel grey			
	955 553 213 07 8G1	Sand beige			
(1)	955 553 213 07 8YR	Black	front	1	PR:UF1,3D8, 6E6,9AB,9AD, 9ZP
	955 553 213 08	Centre console			
		Leather			
(1)	955 553 213 08 6B7	steel grey	front	1	PR:UF1,3D8, 6E6,9AB,9AD, 9ZP
	955 553 213 08 8G1	Sand beige			
	955 553 213 08 8YR	Black			
(1)	955 553 213 09	Centre console	front	1	PR:UF1,3D8, 6E6,9AB,9AD, 9W5
		Leather			
	955 553 213 09 6B7	steel grey			
(1)	955 553 213 09 8G1	Sand beige	front	1	PR:UF1,3D8, 6E6,9AB,9AD, 9W5
	955 553 213 09 8YR	Black			
	955 553 213 10	Centre console			
(1)		Leather	front	1	PR:UF1,3D8, 6E6,9AH,9W5
	955 553 213 10 6B7	steel grey			
	955 553 213 10 8G1	Sand beige			
(1)	955 553 213 10 8YR	Black	front	1	PR:UF1,3D8, 6E6,9AH,9W5
	955 553 213 11	Centre console			
		Leather			
(1)	955 553 213 11 6B7	steel grey	front	1	PR:UF0,3D4, 6E2,9AB,9AD, 9W0,9W1
	955 553 213 11 8G1	Sand beige			
	955 553 213 11 8YR	Black			
(1)	955 553 214 00	Centre console	front	1	PR:UF0,3D4, 6E2,9AB,9AD, 9W0,9W1
		Leather			
	955 553 214 00 J69	chestnut brown			
(1)	955 553 214 01	Centre console	front	1	PR:UF0,3D4, 6E2,9AH,9W0, 9W1
		Leather			
	955 553 214 01 J69	chestnut brown			
(1)	955 553 214 02	Centre console	front	1	PR:UF0,3D4, 6E2,9AB,9AD, 9ZP
		Leather			
		Leather			

Model: 9PA108 Model life 2007>>2010

Pos	Part Number	Description	Remark	Qty	Model
(1)	955 553 214 02 J69 955 553 214 03	Nature chestnut brown Centre console	front	1	PR:UF0,3D4, 6E2,9AH,9ZP
(1)	955 553 214 03 J69 955 553 214 04	Leather Nature chestnut brown Centre console	front	1	PR:UF0,3D4, 6E2,9AB,9AD, 9W5
(1)	955 553 214 04 J69 955 553 214 05	Leather Nature chestnut brown Centre console	front	1	PR:UF0,3D4, 6E2,9AH,9W5
(1)	955 553 214 05 J69 955 553 214 06	Leather Nature chestnut brown Centre console	front	1	PR:UF1,3D4, 6E2,9AB,9AD, 9W0,9W1
(1)	955 553 214 06 J69 955 553 214 07	Leather Nature chestnut brown Centre console	front	1	PR:UF1,3D4, 6E2,9AH,9W0, 9W1
(1)	955 553 214 07 J69 955 553 214 08	Leather Nature chestnut brown Centre console	front	1	PR:UF1,3D4, 6E2,9AB,9AD, 9ZP
(1)	955 553 214 08 J69 955 553 214 09	Leather Nature chestnut brown Centre console	front	1	PR:UF1,3D4, 6E2,9AH,9ZP
(1)	955 553 214 09 J69 955 553 214 10	Leather Nature chestnut brown Centre console	front	1	PR:UF1,3D4, 6E2,9AB,9W5
(1)	955 553 214 10 J69 955 553 214 11	Leather Nature chestnut brown Centre console	front	1	PR:UF1,3D4, 6E2,9AH,9W5
1	955 553 214 11 J69 955 553 215 00	Leather Nature chestnut brown Centre console	front	1	PR:E0W,E1T, E2D,UF0,3D5, 6E4,9AB,9AD, 9W0,9W1
(1)	955 553 215 00 5E5 955 553 215 00 5E6 955 553 215 00 5G6 955 553 215 01	Alcantara steel grey Black Sand beige Centre console	front	1	PR:E0W,E1T, E2D,UF0,3D5, 6E4,9AH,9W0, 9W1
(1)	955 553 215 01 5E5 955 553 215 01 5E6 955 553 215 01 5G6 955 553 215 02	Alcantara steel grey Black Sand beige Centre console	front	1	PR:E0W,E1T, E2D,UF0,3D5,

Model: 9PA108 Model life 2007>>2010

Pos	Part Number	Description	Remark	Qty	Model
		Alcantara			6E4,9AB,9AD,9ZP
	955 553 215 02 5E5	steel grey			
	955 553 215 02 5E6	Black			
	955 553 215 02 5G6	Sand beige			
(1)	955 553 215 03	Centre console	front	1	PR:E0W,E1T,E2D,UF0,3D5,6E4,9AH,9ZP
		Alcantara			
	955 553 215 03 5E5	steel grey			
	955 553 215 03 5E6	Black			
	955 553 215 03 5G6	Sand beige			
(1)	955 553 215 04	Centre console	front	1	PR:E0W,E1T,E2D,UF0,3D5,6E4,9AB,9AD,9W5
		Alcantara			
	955 553 215 04 5E5	steel grey			
	955 553 215 04 5E6	Black			
	955 553 215 04 5G6	Sand beige			
(1)	955 553 215 05	Centre console	front	1	PR:E0W,E1T,E2D,UF0,3D5,6E4,9AH,9W5
		Alcantara			
	955 553 215 05 5E5	steel grey			
	955 553 215 05 5E6	Black			
	955 553 215 05 5G6	Sand beige			
(1)	955 553 215 06	Centre console	front	1	PR:E0W,E1T,E2D,UF1,3D5,6E4,9AB,9AD,9W0,9W1
		Alcantara			
	955 553 215 06 5E5	steel grey			
	955 553 215 06 5E6	Black			
	955 553 215 06 5G6	Sand beige			
(1)	955 553 215 07	Centre console	front	1	PR:E0W,E1T,E2D,UF1,3D5,6E4,9AH,9W0,9W1
		Alcantara			
	955 553 215 07 5E5	steel grey			
	955 553 215 07 5E6	Black			
	955 553 215 07 5G6	Sand beige			
(1)	955 553 215 08	Centre console	front	1	PR:E0W,E1T,E2D,UF1,3D5,6E4,9AB,9AD,9ZP
		Alcantara			
	955 553 215 08 5E5	steel grey			
	955 553 215 08 5E6	Black			
	955 553 215 08 5G6	Sand beige			
(1)	955 553 215 09	Centre console	front	1	PR:E0W,E1T,E2D,UF1,3D5,6E4,9AH,9ZP
		Alcantara			
	955 553 215 09 5E5	steel grey			
	955 553 215 09 5E6	Black			
	955 553 215 09 5G6	Sand beige			
(1)	955 553 215 10	Centre console	front	1	PR:E0W,E1T,E2D,UF1,3D5,6E4,9AB,9AD,9W5
		Alcantara			
	955 553 215 10 5E5	steel grey			
	955 553 215 10 5E6	Black			
	955 553 215 10 5G6	Sand beige			
(1)	955 553 215 11	Centre console	front	1	PR:E0W,E1T,E2D,UF1,3D5,9AH,9W5
		Alcantara			
	955 553 215 11 5E5	steel grey			
	955 553 215 11 5E6	Black			

Model: 9PA108 Model life 2007>>2010

Pos	Part Number	Description	Remark	Qty	Model
2	955 553 215 11 5G6 N 103 472 04	Sand beige Hexagon socket head bolt, self-locking Mount	front	18	
(3)	955 552 645 01	Centre console Grab handle	left	1	PR: 3D8, 3D5
		Centre console Leather			
	955 552 645 01 6B7	steel grey			
	955 552 645 01 8G1	Sand beige			
	955 552 645 01 8YR	Black			
(3)	955 552 646 01	Grab handle	right	1	PR: 3D8, 3D5
		Centre console Leather			
	955 552 646 01 6B7	steel grey			
	955 552 646 01 8G1	Sand beige			
	955 552 646 01 8YR	Black			
(3)	955 552 647 01	Grab handle	left	1	PR: 3D1, 3D3
		Centre console Leatherette			
	955 552 647 01 A08	Black			
	955 552 647 01 T25	Sand beige			
	955 552 647 01 6E1	steel grey			
(3)	955 552 648 01	Grab handle	right	1	PR: 3D1, 3D3
		Centre console Leatherette			
	955 552 648 01 A08	Black			
	955 552 648 01 T25	Sand beige			
	955 552 648 01 6E1	steel grey			
(3)	955 552 649 00	Grab handle	left	1	PR: 3D4
		Centre console Leather Nature			
	955 552 649 00 J69	chestnut brown			
(3)	955 552 650 00	Grab handle	right	1	PR: 3D4
		Centre console Leather Nature			
	955 552 650 00 J69	chestnut brown			
4	N 103 472 04	Hexagon socket head bolt, self-locking M 6 X 25 Mount	front	2	
5	N 101 112 03	Grab handle Socket head bolt with hexagon socket head (combination) M 8 X 85 Mount	rear	2	
6	955 552 633 01	Grab handle Cover cap	left	1	
		Grab handle Centre console Lacquered			
	955 552 633 01 A03	Black			
	955 552 633 01 7BA	steel grey			
	955 552 633 01 L58	chestnut brown			
	955 552 633 01 5Z1	Sand beige			
(6)	955 552 634 01	Cover cap	right	1	
		Grab handle Centre console Lacquered			
	955 552 634 01 A03	Black			
	955 552 634 01 7BA	steel grey			

Model: 9PA108 Model life 2007>>2010

Pos	Part Number	Description	Remark	Qty	Model
	955 552 634 01 L58	chestnut brown			
	955 552 634 01 5Z1	Sand beige			
7	955 552 261 01	Shift gate	lhd	1	PR:L0L,G0R
	955 552 261 01 62W	Satin aluminium			
(7)	955 552 262 01	Shift gate	rhd	1	PR:L0R,G0R
	955 552 262 01 62W	Satin aluminium			
8	955 552 279 03	Cover panel		1	PR:D5X,5MA
		Lacquered			
	955 552 279 03 A03	Black			
	955 552 279 03 7BA	steel grey			
	955 552 279 03 L58	chestnut brown			
	955 552 279 03 5Z1	Sand beige			
(8)	955 552 280 03	Cover panel		1	PR:D5V,D5Z, 5MA,5MH,5TE
		Lacquered			
	955 552 280 03 A03	Black			
	955 552 280 03 7BA	steel grey			
	955 552 280 03 L58	chestnut brown			
	955 552 280 03 5Z1	Sand beige			
(8)	955 552 292 02	Cover panel		1	PR:5TF
		Centre console			
	955 552 292 02 4V8	High-gloss olive ash burl			
(8)	955 552 297 02	Cover panel		1	PR:5MG
		Centre console			
	955 552 297 02 4X2	Rootwood			
9	955 552 283 02	Retainer for centre console		1	PR:3D5,5MA, 5MH,5TE
		Beverages			
		Lacquered			
	955 552 283 02 L58	chestnut brown			
	955 552 283 02 A03	Black			
	955 552 283 02 7BA	steel grey			
	955 552 283 02 5Z1	Sand beige			
(9)	955 552 284 02	Retainer for centre console		1	PR:5TF
		Beverages			
	955 552 284 02 4V8	High-gloss olive ash burl			
(9)	955 552 285 02	Retainer for centre console		1	PR:5MG
		Beverages			
	955 552 285 02 4X2	Rootwood			
-	955 552 105 00	Guard plate		1	
10	N 106 514 01	Bolt with washer		2	
		M 4 X 10			
		Mount			
		Beverages			
		Bracket			
11	955 552 083 00	Cover for centre console		1	
		Closing element			
		Lacquered			
	955 552 083 00 A03	Black			
12	000 043 205 85	Hexagon socket head bolt		2	
		M 4 X 10			
		Mount			
		Cover			
		Closing element			
13	955 552 328 00	Mat		1	PR:UF0
(13)	955 553 329 00	Mat		1	PR:UF1
		D - MJ 2009>>			
14	955 552 203 02	Centre nozzle		1	
		Lacquered			
	955 552 203 02 A03	Black			
	955 552 203 02 7BA	steel grey			
	955 552 203 02 5Z1	Sand beige			
15	955 552 338 00	Cover panel	rear	1	PR:D5X,4A0, 4A3,5MA,9AB, 9AD
		Centre console			

Model: 9PA108 Model life 2007>>2010

Pos	Part Number	Description	Remark	Qty	Model
15	955 552 338 00 A03	Lacquered Black	rear	1	PR:D50,4A0, 4A3,5MA,9AB, 9AD
	955 552 338 00 7BA	steel grey			
	955 552 338 00 L58	chestnut brown			
	955 552 338 00 5Z1	Sand beige			
	955 552 338 00	Cover panel Centre console			
16	955 552 338 00 A03	Lacquered Black	rear	1	PR:D5V,4A0, 4A3,5MA,9AB, 9AD
	955 552 338 00 7BA	steel grey			
	955 552 338 00 L58	chestnut brown			
	955 552 338 00 5Z1	Sand beige			
	955 552 438 01	tray Centre console			
(16)	955 552 438 01 A03	Lacquered Black	1	PR:4A0,4A3, 5MG,9AB,9AD	
	955 552 340 01	tray Centre console			
(16)	955 552 340 01 62W	Satin aluminium	1	PR:4A0,4A3, 5MH,5TE,9AB, 9AD	
	955 552 340 01	tray Centre console			
(16)	955 552 340 01 62W	Satin aluminium	1	PR:4A0,4A3, 5TF,9AB,9AD	
	955 552 340 01	tray Centre console			
17	955 552 340 01 62W	Satin aluminium	1	PR:4A4,5MA, 9AB,9AD	
	955 552 148 00	Trim for centre console Seat heater			
(17)	955 552 148 00 A03	Lacquered Black	1	PR:4A4,5MG, 9AB,9AD	
	955 552 149 00	Trim for centre console Seat heater			
(17)	955 552 149 00 62W	Satin aluminium	1	PR:4A4,5MH, 5TE,9AB,9AD	
	955 552 149 00	Trim for centre console Seat heater			
(17)	955 552 149 00 62W	Satin aluminium	1	PR:4A4,5TF, 9AB,9AD	
	955 552 149 00	Trim for centre console Seat heater			
18	955 552 149 00 62W	Satin aluminium	1	PR:5MA,9AH	
	955 552 153 00	Trim for centre console			
(18)	955 552 153 00 A03	Lacquered Black	1	PR:5MG,9AH	
	955 552 154 00	Trim for centre console Control panel Air conditioning			
(18)	955 552 154 00 62W	Satin aluminium	1	PR:5MH,5TE, 9AH	
	955 552 154 00	Trim for centre console Control panel Air conditioning			
(18)	955 552 154 00 62W	Satin aluminium	1	PR:5TF,9AH	
	955 552 154 00	Trim for centre console Control panel Air conditioning			
19	955 552 154 00 62W	Satin aluminium	2		
	N 104 561 01	Socket head bolt with inner multipoint head M 4 X 10			
(20)	955 552 286 03	Retainer for centre console Beverages Lacquered	rear	1	PR:5MA,5MH, 5TE
	955 552 286 03 A03	Black			

Model: 9PA108 Model life 2007>>2010

Pos	Part Number	Description	Remark	Qty	Model
(20)	955 552 286 03 7BA	steel grey	rear	1	PR:5MG
	955 552 286 03 L58	chestnut brown			
	955 552 286 03 5Z1	Sand beige			
(20)	955 552 287 03	Retainer for centre console Beverages	rear	1	PR:5TF
	955 552 287 03 4X2	Rootwood			
(21)	955 552 288 03	Retainer for centre console Beverages		1	PR:5MA,7B6, 7B7,9JA,9JB
	955 552 288 03 4V8	High-gloss olive ash burl			
(21)	955 552 160 02	Trim for centre console Connector housing 2 Hole Lacquered		1	PR:5MA,7B2, 7B3,9JA,9JB
	955 552 160 02 A03	Black			
(21)	955 552 161 02	Trim for centre console Connector housing 1 Hole Lacquered		1	PR:5MG,5MH, 5TE,5TF,7B6, 7B7,9JA,9JB
	955 552 161 02 A03	Black			
(21)	955 552 162 01	Trim for centre console Connector housing 2 Hole		1	PR:5MG,5MH, 5TE,5TF,7B2, 7B3,9JA,9JB
	955 552 162 01 4W9	Satin aluminium			
22	955 552 163 01	Trim for centre console Connector housing 1 Hole		2	PR:5MG,5MH, 5TE,5TF,7B2, 7B3,9JA,9JB
	955 552 163 01 4W9	Satin aluminium			
23	N 904 552 05	fillister hd. bolt M 4 X 10 Mount Trim Connector housing		1	PR:5MA,5MH, 5TE,9AB,9AD
	955 552 166 00	Dummy cover Lacquered			
(23)	955 552 166 00 A03	Black		1	PR:5MG,9AB, 9AD
	955 552 166 00 7BA	steel grey			
(23)	955 552 166 00 L58	chestnut brown		1	PR:5TF,9AB, 9AD
	955 552 166 00 5Z1	Sand beige			
24	955 552 167 00	Dummy cover	front	1	
	955 552 167 00 4X2	Rootwood			
25	955 552 168 00	Dummy cover	center	1	
	955 552 168 00 4V8	High-gloss olive ash burl			
26	955 552 849 00	Retainer for centre console	rear	1	
	955 552 253 00	Retainer for centre console			
27	955 552 345 00	Retainer for centre console		X	
	N 103 472 04	Hexagon socket head bolt, self-locking M 6 X 25			
29	955 553 307 00	armrest (leatherette) Centre console		1	PR:6E3,9W0, 9W1
	955 553 307 00 5Q2	Black			
(29)	955 553 307 00 5R3	steel grey		1	PR:6E3,9ZP
	955 553 307 00 5S4	Sand beige			
29	955 553 307 01	armrest (leatherette) Centre console		1	
	955 553 307 01 5Q2	Black			
	955 553 307 01 5R3	steel grey			

Model: 9PA108

Model life 2007>>2010

Pos	Part Number	Description	Remark	Qty	Model
(29)	955 553 307 01 5S4 955 553 307 02	Sand beige armrest (leatherette) Centre console		1	PR:6E3,9W5
	955 553 307 02 5Q2 955 553 307 02 5R3 955 553 307 02 5S4	Black steel grey Sand beige			
29	955 553 308 00	Armrest Centre console Plain leather		1	PR:6E6,9W0, 9W1
	955 553 308 00 6B7 955 553 308 00 8G1 955 553 308 00 8YR	steel grey Sand beige Black			
(29)	955 553 308 01	Armrest Centre console Plain leather		1	PR:6E6,9ZP
	955 553 308 01 6B7 955 553 308 01 8G1 955 553 308 01 8YR	steel grey Sand beige Black			
(29)	955 553 308 02	Armrest Centre console Plain leather		1	PR:6E6,9W5
	955 553 308 02 6B7 955 553 308 02 8G1 955 553 308 02 8YR	steel grey Sand beige Black			
29	955 553 309 00	armrest (leather) Centre console Embossed		1	PR:6E7,9W0, 9W1
	955 553 309 00 A08 955 553 309 00 T25 955 553 309 00 6E1	Black Sand beige steel grey			
(29)	955 553 309 00	armrest (leather) Centre console Embossed		1	GTS PR:E0W,6E7, 9W0,9W1
	955 553 309 00 A08 955 553 309 00 T25 955 553 309 00 6E1	Black Sand beige steel grey			
(29)	955 553 309 01	armrest (leather) Centre console Embossed		1	PR:6E7,9ZP
	955 553 309 01 A08 955 553 309 01 T25 955 553 309 01 6E1	Black Sand beige steel grey			
(29)	955 553 309 01	armrest (leather) Centre console Embossed		1	GTS PR:E0W,6E7, 9ZP
	955 553 309 01 A08 955 553 309 01 T25 955 553 309 01 6E1	Black Sand beige steel grey			
(29)	955 553 309 02	armrest (leather) Centre console Embossed		1	PR:6E7,9W5
	955 553 309 02 A08 955 553 309 02 T25 955 553 309 02 6E1	Black Sand beige steel grey			
(29)	955 553 309 02	armrest (leather) Centre console Embossed		1	GTS PR:E0W,6E7, 9W5
	955 553 309 02 A08 955 553 309 02 T25 955 553 309 02 6E1	Black Sand beige steel grey			

Model: 9PA108 Model life 2007>>2010

Pos	Part Number	Description	Remark	Qty	Model
(29)	955 553 310 00	armrest (leather) Centre console Leather Nature		1	PR:6E2,9W0, 9W1
	955 553 310 00 J69	chestnut brown			
(29)	955 553 310 01	armrest (leather) Centre console Leather Nature		1	PR:6E2,9ZP
	955 553 310 01 J69	chestnut brown			
(29)	955 553 310 02	armrest (leather) Centre console Leather Nature		1	PR:6E2,9W5
	955 553 310 02 J69	chestnut brown			
(29)	955 553 311 00	armrest (alcantara) Centre console		1	GTS PR:E0W,E1T, 6E4,9W0,9W1
	955 553 311 00 5E5	steel grey			
	955 553 311 00 5E6	Black			
	955 553 311 00 5G6	Sand beige			
(29)	955 553 311 01	armrest (alcantara) Centre console		1	GTS PR:E0W,E1T, 6E4,9ZP
	955 553 311 01 5E5	steel grey			
	955 553 311 01 5E6	Black			
	955 553 311 01 5G6	Sand beige			
(29)	955 553 311 02	armrest (alcantara) Centre console		1	GTS PR:E0W,E1T, 6E4,9W5
	955 553 311 02 5E5	steel grey			
	955 553 311 02 5E6	Black			
	955 553 311 02 5G6	Sand beige			
30	955 552 107 00	Retaining clip Centre console		X	
31	955 553 243 00	Centre console		1	PR:UF0,3D1, 3D3,9AB,9AD
	955 553 243 00 5Q2	Black			
	955 553 243 00 5R3	steel grey			
	955 553 243 00 5S4	Sand beige			
31	955 553 243 00	Centre console		1	GTS PR:E0W,UF0, 3D1,3D3,9AB, 9AD
	955 553 243 00 5Q2	Black			
	955 553 243 00 5R3	steel grey			
	955 553 243 00 5S4	Sand beige			
(31)	955 553 243 01	Centre console		1	PR:UF0,3D1, 3D3,9AH
	955 553 243 01 5Q2	Black			
	955 553 243 01 5R3	steel grey			
	955 553 243 01 5S4	Sand beige			
(31)	955 553 243 01	Centre console		1	GTS PR:E0W,UF0, 3D1,3D3,9AH
	955 553 243 01 5Q2	Black			
	955 553 243 01 5R3	steel grey			
	955 553 243 01 5S4	Sand beige			
(31)	955 553 243 02	Centre console		1	PR:UF1,3D1, 3D3,9AB,9AD
	955 553 243 02 5Q2	Black			
	955 553 243 02 5R3	steel grey			
	955 553 243 02 5S4	Sand beige			

Model: 9PA108 Model life 2007>>2010

Pos	Part Number	Description	Remark	Qty	Model
(31)	955 553 243 02	Centre console		1	GTS PR:E0W,UF1, 3D1,3D3,9AB, 9AD
	955 553 243 02 5Q2	Black			
	955 553 243 02 5R3	steel grey			
	955 553 243 02 5S4	Sand beige			
(31)	955 553 243 03	Centre console		1	PR:UF1,3D1, 3D3,9AH
	955 553 243 03 5Q2	Black			
	955 553 243 03 5R3	steel grey			
	955 553 243 03 5S4	Sand beige			
(31)	955 553 243 03	Centre console		1	GTS PR:E0W,UF1, 3D1,3D3,9AH
	955 553 243 03 5Q2	Black			
	955 553 243 03 5R3	steel grey			
	955 553 243 03 5S4	Sand beige			
(31)	955 553 244 00	Centre console Leather		1	PR:UF0,3D8, 9AB,9AD
	955 553 244 00 6B7	steel grey			
	955 553 244 00 8G1	Sand beige			
	955 553 244 00 8YR	Black			
(31)	955 553 244 01	Centre console Leather		1	PR:UF0,3D8, 9AH
	955 553 244 01 6B7	steel grey			
	955 553 244 01 8G1	Sand beige			
	955 553 244 01 8YR	Black			
(31)	955 553 244 02	Centre console Leather		1	PR:UF1,3D8, 9AB,9AD
	955 553 244 02 6B7	steel grey			
	955 553 244 02 8G1	Sand beige			
	955 553 244 02 8YR	Black			
(31)	955 553 244 03	Centre console Leather		1	PR:UF1,3D8, 9AH
	955 553 244 03 6B7	steel grey			
	955 553 244 03 8G1	Sand beige			
	955 553 244 03 8YR	Black			
(31)	955 553 245 00	Centre console Leather Nature		1	PR:UF0,3D4, 9AB,9AD
	955 553 245 00 J69	chestnut brown			
(31)	955 553 245 01	Centre console Leather Nature		1	PR:UF0,3D4, 9AH
	955 553 245 01 J69	chestnut brown			
(31)	955 553 245 02	Centre console Leather Nature		1	PR:UF1,3D4, 9AB,9AD
	955 553 245 02 J69	chestnut brown			
(31)	955 553 245 03	Centre console Leather Nature		1	PR:UF1,3D4, 9AH
	955 553 245 03 J69	chestnut brown			
(31)	955 553 246 00	Centre console Alcantara		1	PR:E0W,E1T, E2D,UF0,3D5, 9AB,9AD
	955 553 246 00 5E5	steel grey			
	955 553 246 00 5E6	Black			
	955 553 246 00 5G6	Sand beige			
(31)	955 553 246 01	Centre console Alcantara		1	PR:E0W,E1T, E2D,UF0,3D5, 9AH

Model: 9PA108 Model life 2007>>2010

Pos	Part Number	Description	Remark	Qty	Model
(31)	955 553 246 01 5E5	steel grey		1	PR:E0W,E1T, E2D,UF1,3D5, 9AB,9AD
	955 553 246 01 5E6	Black			
	955 553 246 01 5G6	Sand beige			
	955 553 246 02	Centre console Alcantara			
(31)	955 553 246 02 5E5	steel grey		1	PR:E0W,E1T, UF1,3D5,9AH
	955 553 246 02 5E6	Black			
	955 553 246 02 5G6	Sand beige			
	955 553 246 03	Centre console Alcantara			
32	955 553 246 03 5E5	steel grey		1	PR:3D1,3D3, 9AB,9AD
	955 553 246 03 5E6	Black			
	955 553 246 03 5G6	Sand beige			
	955 552 497 00	Cover cap Centre console			
32	955 552 497 00 5Q2	Black		1	GTS PR:E0W,3D1, 3D3,9AB,9AD
	955 552 497 00 5R3	steel grey			
	955 552 497 00 5S4	Sand beige			
	955 552 497 00	Cover cap Centre console			
(32)	955 552 497 00 5Q2	Black		1	PR:3D1,3D3, 9AH
	955 552 497 00 5R3	steel grey			
	955 552 497 00 5S4	Sand beige			
	955 552 498 00	Cover cap Centre console			
(32)	955 552 498 00 5Q2	Black		1	GTS PR:E0W,3D1, 3D3,9AH
	955 552 498 00 5R3	steel grey			
	955 552 498 00 5S4	Sand beige			
	955 552 498 00	Cover cap Centre console			
(32)	955 552 498 00 5Q2	Black		1	PR:3D8,9AB, 9AD
	955 552 498 00 5R3	steel grey			
	955 552 498 00 5S4	Sand beige			
	955 552 499 00	Cover cap (leather) Centre console			
(32)	955 552 499 00 6B7	steel grey		1	PR:3D8,9AH
	955 552 499 00 8G1	Sand beige			
	955 552 499 00 8YR	Black			
	955 552 500 00	Cover cap (leather) Centre console			
(32)	955 552 500 00 6B7	steel grey		1	PR:3D4,9AB, 9AD
	955 552 500 00 8G1	Sand beige			
	955 552 500 00 8YR	Black			
	955 552 501 00	Cover cap Centre console Leather Nature			
(32)	955 552 501 00 J69	chestnut brown		1	PR:3D4,9AH
	955 552 502 00	Cover cap Centre console Leather Nature			
32	955 552 502 00 J69	chestnut brown		1	PR:E0W,E1T, 3D5,9AB,9AD
	955 552 501 10	Cover cap Centre console	GTS		
(32)	955 552 501 10 6B7	steel grey		1	PR:E0W,E1T, 3D5,9AH
	955 552 501 10 8G1	Sand beige			
	955 552 501 10 8YR	Black			
	955 552 502 10	Cover cap Centre console	GTS		

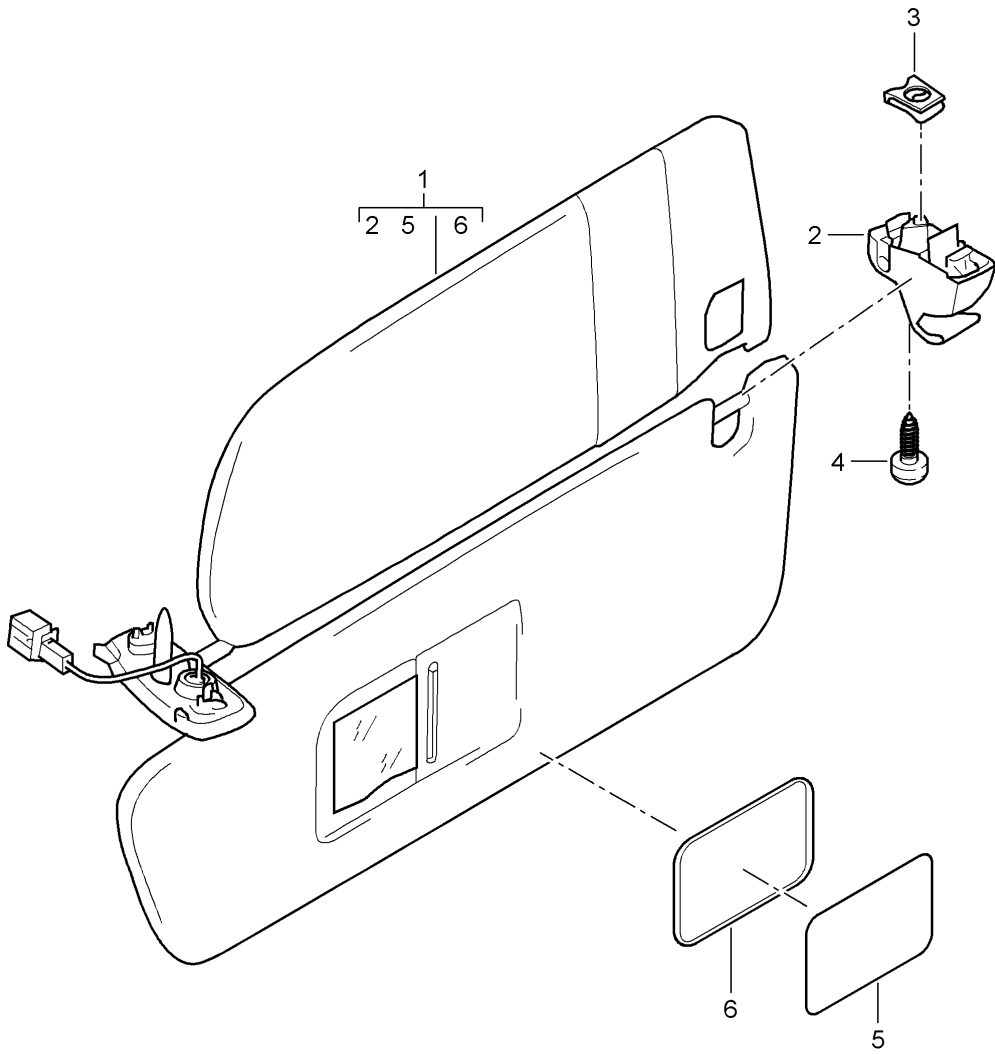
Model: 9PA108

Model life 2007>>2010

Pos	Part Number	Description	Remark	Qty	Model
33	955 552 502 10 6B7	steel grey		1	
	955 552 502 10 8G1	Sand beige			
	955 552 502 10 8YR	Black			
	955 552 698 00	Release Armrest			
	955 552 698 00 A03	Black			
	955 552 698 00 7BA	steel grey			
34	955 552 698 00 L58	chestnut brown		1	PR:9AB,9AD
	955 552 698 00 5Z1	Sand beige			
	955 552 089 00	plate for cap			
(34)	955 552 090 00	plate for cap		1	PR:9AH
35	N 906 988 01	Speed nut		X	
36	N 906 986 01	ST 4,2 X 16 X 12		X	
		Hexagon socket head panel bolt ST 4,2 X 16			
37	955 552 861 00	Damper		2	
38	955 552 591 00	Centre console		1	
		Trim for centre console Lighting			
39	N 911 382 01	Hinge bolt Centre console		2	
40	N 012 325 7	Retaining washer		2	
41	955 552 265 00	roller blind		1	PR:G0R
		Cover			
		Shift gate			

Model: 9PA108

Model life 2007>>2010



Model: 9PA108 Model life 2007>>2010

Pos	Part Number	Description	Remark	Qty	Model
1	955 731 135 03	sun vizors Sun visor Leatherette	left	1	PR: 3FA, 3FE, 6NJ
	955 731 135 03 A12	Black			
	955 731 135 03 7E3	Sand beige			
	955 731 135 03 7V4	steel grey			
1	955 731 136 03	Sun visor Leatherette	right	1	PR: 3FA, 3FE, 6NJ
	955 731 136 03 A12	Black			
	955 731 136 03 7E3	Sand beige			
	955 731 136 03 7V4	steel grey			
(1)	955 731 141 02	Sun visor Leatherette	left	1	PR: 3FU, 6NJ
	955 731 141 02 A12	Black			
	955 731 141 02 7E3	Sand beige			
	955 731 141 02 7V4	steel grey			
(1)	955 731 142 02	Sun visor Leatherette	right	1	PR: 3FU, 6NJ
	955 731 142 02 A12	Black			
	955 731 142 02 7E3	Sand beige			
	955 731 142 02 7V4	steel grey			
(1)	955 731 147 03	Sun visor Alcantara	left	1	PR: 3FA, 3FE, 6NN
	955 731 147 03 5E5	steel grey			
	955 731 147 03 5E6	Black			
	955 731 147 03 5G6	Sand beige			
(1)	955 731 148 03	Sun visor Alcantara	right	1	PR: 3FA, 3FE, 6NN
	955 731 148 03 5E5	steel grey			
	955 731 148 03 5E6	Black			
	955 731 148 03 5G6	Sand beige			
1	955 731 153 01	Sun visor Alcantara	left	1	PR: 3FU, 6NN
	955 731 153 01 5E5	steel grey			
	955 731 153 01 5E6	Black			
	955 731 153 01 5G6	Sand beige			
(1)	955 731 154 01	Sun visor Alcantara	right	1	PR: 3FU, 6NN
	955 731 154 01 5E5	steel grey			
	955 731 154 01 5E6	Black			
	955 731 154 01 5G6	Sand beige			
2	955 731 827 00	Support Sun visor	left	1	PR: 3FA, 3FE
	955 731 827 00 9B9	Satin black			
	955 731 827 00 6C6	Sand beige			
	955 731 827 00 7A8	steel grey			
(2)	955 731 828 00	Support Sun visor	right	1	PR: 3FA, 3FE
	955 731 828 00 9B9	Satin black			
	955 731 828 00 6C6	Sand beige			
	955 731 828 00 7A8	steel grey			
(2)	955 731 829 00	Support Sun visor	left	1	PR: 3FU
	955 731 829 00 9B9	Satin black			
	955 731 829 00 6C6	Sand beige			
	955 731 829 00 7A8	steel grey			
(2)	955 731 830 00	Support Sun visor	right	1	PR: 3FU
	955 731 830 00 9B9	Satin black			
	955 731 830 00 6C6	Sand beige			
	955 731 830 00 7A8	steel grey			
3	N 907 798 02	Speed nut for		X	

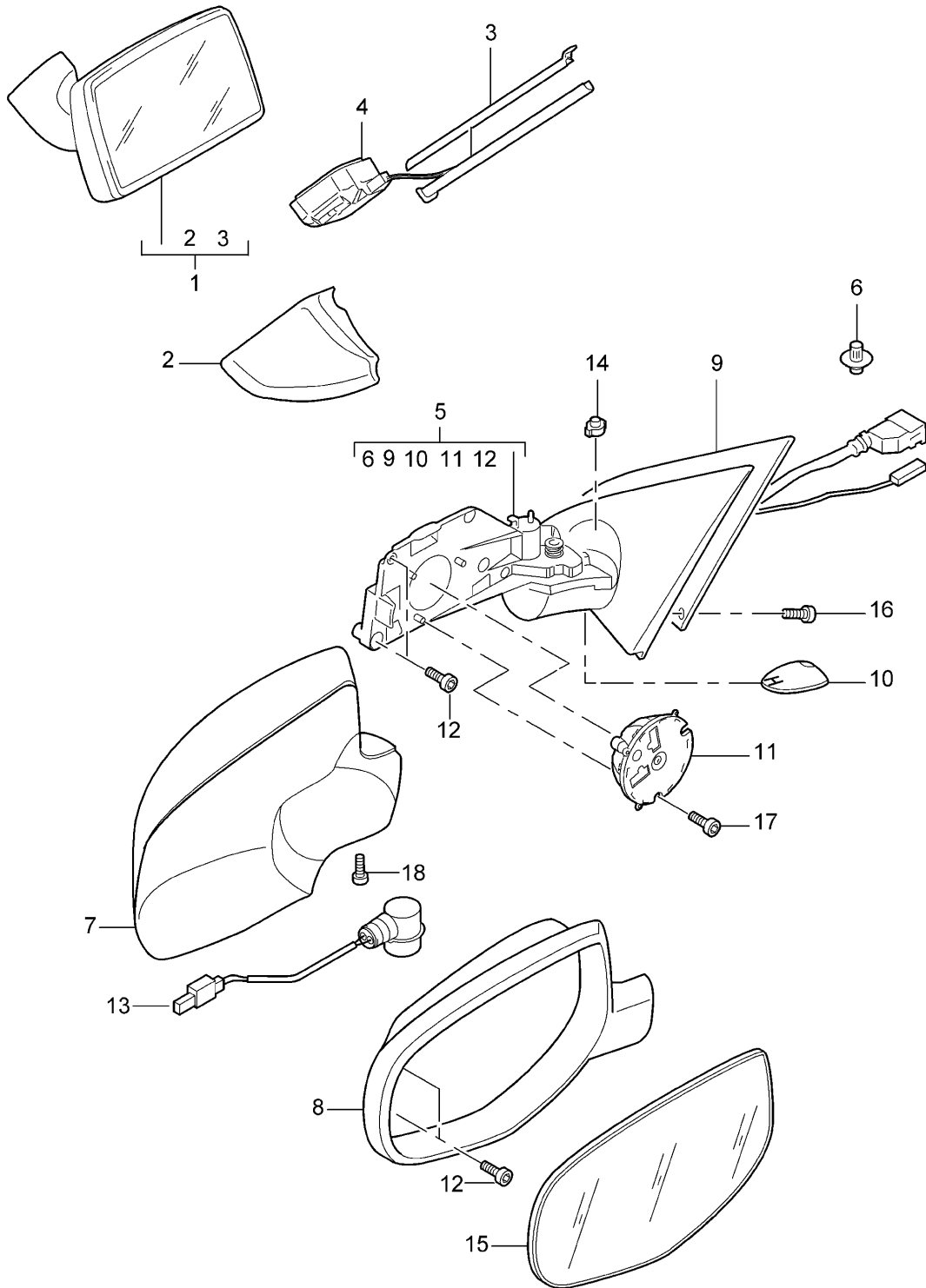
Model: 9PA108

Model life 2007>>2010

Pos	Part Number	Description	Remark	Qty	Model
4	N 105 665 01	Support Sun visor Hexagon socket head panel bolt ST 4,8 X 25 for Mount		X	
5	955 731 567 01	Support Sun visor Vanity mirror		1	
6	955 731 643 01	Frame Vanity mirror		1	

Model: 9PA108

Model life 2007>>2010



Model: 9PA108 Model life 2007>>2010

Pos	Part Number	Description	Remark	Qty	Model
1	955 731 512 04	Rear-view mirror Exterior mirror Accessories Interior mirror Manually Dimmable		1	PR: 4L2, 5RQ, 5RR, 5RT, 5RV, 5SG, 5SJ, 5SL
	955 731 512 04 01C	Satin black			
(1)	955 731 513 01	Interior mirror Manually Dimmable		1	PR: 4L2, 5RP, 5SG, 5SJ, 5SL
	955 731 513 01 01C	Satin black			
(1)	955 731 513 01	Interior mirror Manually Dimmable		1	PR: 4L2, 5RQ, 5RR, 5RT, 5RV, 5SU, 5SL
	955 731 513 01 01C	Satin black			
(1)	955 731 514 01	Interior mirror, automatic anti-dazzle		1	PR: 4L6
	955 731 514 01 01C	Satin black			
2	955 731 517 00	Cover cap Rear-view mirror	left	1	PR: 4L2, 4L6
	955 731 517 00 01C	Satin black			
(2)	955 731 518 00	Cover cap Rear-view mirror	right	1	PR: 4L2, 4L6
	955 731 518 00 01C	Satin black			
3	955 731 519 00	Cover Rear-view mirror Upper part		1	PR: 4L2, 4L6
	955 731 519 00 01C	Satin black			
(3)	955 731 520 00	Cover Rear-view mirror Lower part		1	PR: 4L2, 4L6
	955 731 520 00 01C	Satin black			
4	955 731 520 00 01C	Rain sensor Rear-view mirror see illustration:		1	
5	955 731 221 02	Mirror base Exterior mirror Discontinued part	left lhd	1	PR: 6XP, 9TH, L0L
	955 731 221 02 01C	Satin black			
(5)	955 731 222 02	Mirror base Exterior mirror Discontinued part	right lhd	1	PR: 6XP, 9TH, L0L
	955 731 222 02 01C	Satin black			
(5)	955 731 242 00	Mirror base Exterior mirror Discontinued part	right lhd	1	PR: 5RP, 6XP, 9TH, L0L
	955 731 242 00 01C	Satin black			
5	955 731 223 02	Mirror base Exterior mirror Discontinued part	left lhd	1	PR: 6XP, 9TF, L0L
	955 731 223 02 01C	Satin black			
(5)	955 731 224 02	Mirror base Exterior mirror Discontinued part	right lhd	1	PR: 6XP, 9TF, L0L
	955 731 224 02 01C	Satin black			
(5)	955 731 244 00	Mirror base Exterior mirror Discontinued part	right lhd	1	PR: 5RP, 6XP, 9TF, L0L
	955 731 244 00 01C	Satin black			
5	955 731 225 02	Mirror base Exterior mirror Discontinued part	left lhd	1	PR: 6XQ, L0L
	955 731 225 02 01C	Satin black			

Model: 9PA108

Model life 2007>>2010

Pos	Part Number	Description	Remark	Qty	Model
(5)	955 731 226 02	Mirror base Exterior mirror Discontinued part	right lhd	1	PR:6XQ,L0L
	955 731 226 02 01C	Satin black			
(5)	955 731 246 00	Mirror base Exterior mirror Discontinued part	right lhd	1	PR:5RP,6XQ,L0L
	955 731 246 00 01C	Satin black			
5	955 731 227 02	Mirror base Exterior mirror Discontinued part	left lhd	1	PR:6XW,L0L
	955 731 227 02 01C	Satin black			
(5)	955 731 228 02	Mirror base Exterior mirror Discontinued part	right lhd	1	PR:6XW,L0L
	955 731 228 02 01C	Satin black			
5	955 731 229 02	Mirror base Exterior mirror Discontinued part	left lhd	1	PR:6XT,L0L
	955 731 229 02 01C	Satin black			
(5)	955 731 230 02	Mirror base Exterior mirror Discontinued part	right lhd	1	PR:6XT,L0L
	955 731 230 02 01C	Satin black			
(5)	955 731 231 02	Mirror base Exterior mirror Discontinued part	left rhd	1	PR:6XP,9TH,L0R
	955 731 231 02 01C	Satin black			
(5)	955 731 241 00	Mirror base Exterior mirror Discontinued part	left rhd	1	PR:5SU,6XP,9TH,L0R
	955 731 241 00 01C	Satin black			
(5)	955 731 232 02	Mirror base Exterior mirror Discontinued part	right rhd	1	PR:6XP,9TH,L0R
	955 731 232 02 01C	Satin black			
(5)	955 731 233 02	Mirror base Exterior mirror Discontinued part	left rhd	1	PR:6XP,9TF,L0R
	955 731 233 02 01C	Satin black			
(5)	955 731 243 00	Mirror base Exterior mirror Discontinued part	left rhd	1	PR:5SU,6XP,9TF,L0R
	955 731 243 00 01C	Satin black			
(5)	955 731 234 02	Mirror base Exterior mirror Discontinued part	right rhd	1	PR:6XP,9TF,L0R
	955 731 234 02 01C	Satin black			
(5)	955 731 235 02	Mirror base Exterior mirror Discontinued part	left rhd	1	PR:6XQ,L0R
	955 731 235 02 01C	Satin black			
(5)	955 731 245 00	Mirror base Exterior mirror Discontinued part	left rhd	1	PR:5SU,6XQ,L0R
	955 731 245 00 01C	Satin black			
(5)	955 731 236 02	Mirror base Exterior mirror Discontinued part	right rhd	1	PR:6XQ,L0R
	955 731 236 02 01C	Satin black			
(5)	955 731 237 02	Mirror base Exterior mirror Discontinued part	left rhd	1	PR:6XW,L0R

Model: 9PA108 Model life 2007>>2010

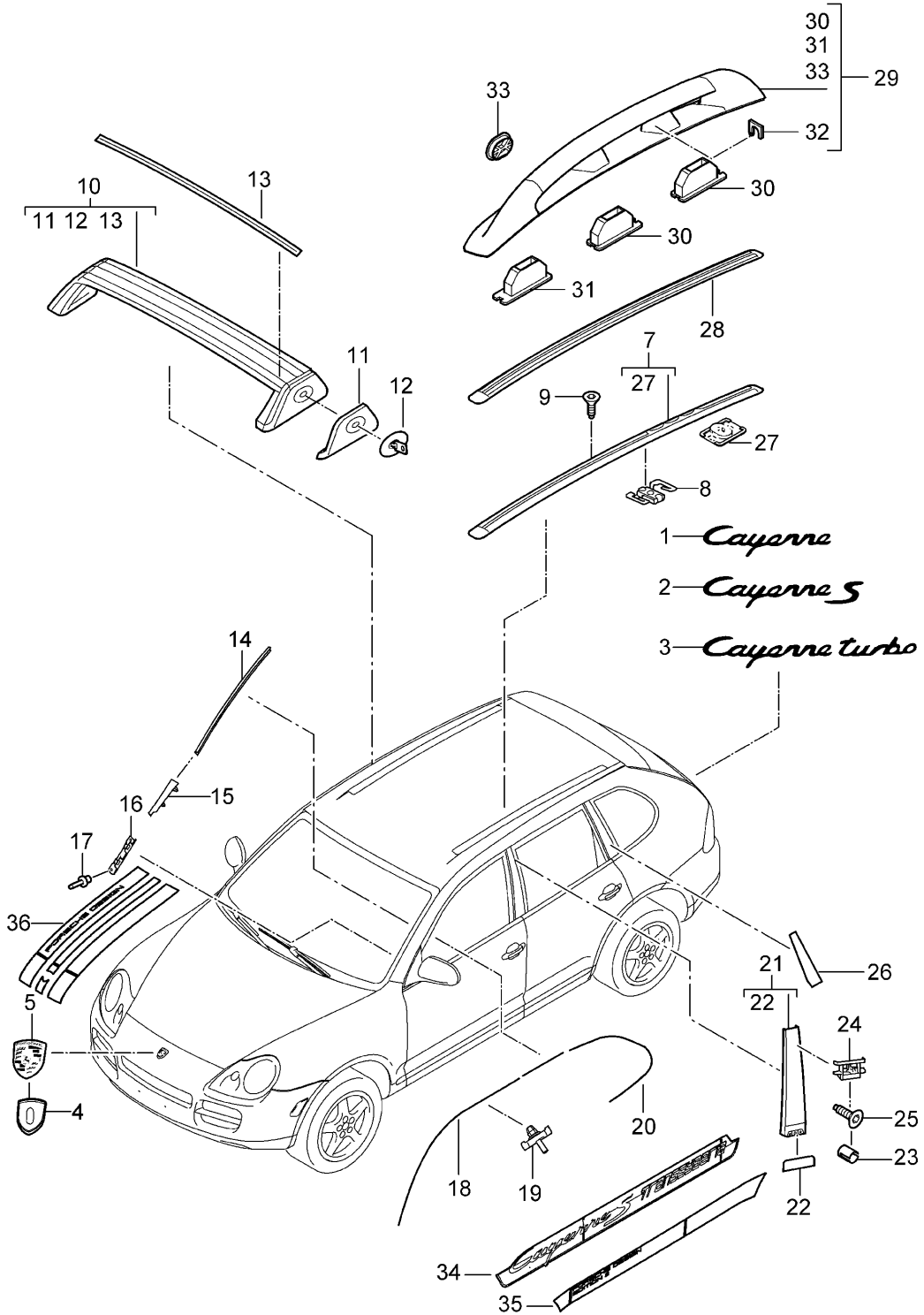
Pos	Part Number	Description	Remark	Qty	Model
(5)	955 731 237 02 01C 955 731 238 02	Satin black Mirror base Exterior mirror Discontinued part	right rhd	1	PR:6XW,L0R
(5)	955 731 238 02 01C 955 731 239 02	Satin black Mirror base Exterior mirror Discontinued part	left rhd	1	PR:6XT,L0R
(5)	955 731 239 02 01C 955 731 240 02	Satin black Mirror base Exterior mirror Discontinued part	right rhd	1	PR:6XT,L0R
6	955 731 240 02 01C 955 731 843 00	Satin black Cable holder Wire set Mirror base		2	
7	955 731 625 00	Exterior mirror housing	left	1	PR:9TH
(7)	955 731 625 00 G2X 955 731 626 00	primed Exterior mirror housing	right	1	PR:9TH
(7)	955 731 626 00 G2X 955 731 627 00	primed Exterior mirror housing	left	1	PR:9TF
(7)	955 731 627 00 G2X 955 731 628 00	primed Exterior mirror housing	right	1	PR:9TF
8	955 731 628 00 G2X 955 731 523 01	primed Frame for exterior mirror Mirror housing	left	1	
(8)	955 731 523 01 G2X 955 731 524 01	primed Frame for exterior mirror Mirror housing	right	1	
9	955 731 524 01 G2X 955 731 833 02	primed Damping Mirror base	left	1	
(9)	955 731 834 02	Damping Mirror base	right	1	
10	955 731 085 01	Cover cap Mirror base		1	PR:5SG,5SJ, 5SL
(10)	955 731 085 01 G2X	primed Retaining frame Camera		1	PR:5SU,5RP
11	955 624 047 01	Adjusting motor	see illustration: 911-000	2	PR:6XP,6XW
(11)	955 624 048 01	Adjusting motor		2	PR:6XQ,6XT
12	N 903 539 01	oval head countersunk bolt M 3 x 10		7	
13		Light Exterior mirror		1	
14	955 731 215 00	Clip Mirror base	see illustration: 903-004	2	
15	955 731 037 02	Mirror glass Plane	left	1	PR:5SG,6XP, 6XQ
(15)	955 731 043 02	Mirror glass Plane	left	1	PR:5SG,6XT, 6XW
(15)	955 731 039 02	Mirror (aspherical) Aspherical	left	1	PR:5SL,6XP, 6XQ
(15)	955 731 045 02	Mirror (aspherical) Aspherical	left	1	PR:5SL,6XT, 6XW
(15)	955 731 041 02	Mirror glass	left	1	PR:5SJ,6XP, 6XQ
(15)	955 731 041 02	Mirror glass	left	1	PR:5SU,6XP, 6XQ
(15)	955 731 047 02	Mirror glass	left	1	PR:5SJ,6XT, 6XW

Model: 9PA108 Model life 2007>>2010

Pos	Part Number	Description	Remark	Qty	Model
(15)	955 731 047 02	Mirror glass Convex	left	1	PR:5SU,6XT, 6XW
(15)	955 731 052 02	Mirror (aspherical)	right	1	PR:5RV,6XP, 6XQ
(15)	955 731 056 02	Mirror (aspherical) Aspherical	right	1	PR:5RV,6XT, 6XW
(15)	955 731 038 02	Mirror glass	right	1	PR:5RQ,6XP, 6XQ
(15)	955 731 038 02	Mirror glass	right	1	PR:5RP,6XP, 6XQ
(15)	955 731 046 02	Mirror glass	right	1	PR:5RQ,6XT, 6XW
(15)	955 731 046 02	Mirror glass Convex	right	1	PR:5RP,6XT, 6XW
(15)	955 731 042 02	Mirror glass	right	1	(SA) PR:5RT,6XP, 6XQ
(15)	955 731 044 02	Convex Mirror glass	right	1	(SA) PR:5RT,6XT, 6XW
16	N 908 163 01	Convex Oval hexagon socket head bolt M 6 X 18 for Mount		3	
17	000 043 983 00	Mirror base Oval-head screw M 3 X 16 for		8	
18	000 043 400 19	Adjusting motor Hexagon socket head bolt M 3 X 25 POS 7		X	

Model: 9PA108

Model life 2007>>2010



Model: 9PA108 Model life 2007>>2010

Pos	Part Number	Description	Remark	Qty	Model
1	955 559 237 00	inscriptions/lettering Decorative fittings inscription Porsche Cayenne	upper outer	1	PR:D5X,0NB
2	955 559 237 00 03C 955 559 037 01	Rally black inscription Cayenne S		1	PR:D5V,0NB
3	955 559 037 01 4W9 955 559 038 01	Satin aluminium inscription Cayenne turbo		1	PR:D5Z,0NB
(3)	955 559 038 01 4W9 955 559 039 00	Satin aluminium inscription Porsche Cayenne GTS D - MJ 2009>> Discontinued part	GTS	1	PR:D5V,E0W, 0NB
(3)	955 559 039 00 4W9 955 559 040 00	Satin aluminium Discontinued part inscription Cayenne GTS	GTS	1	PR:D5V,E1T, E0W,0NB
(3)	955 559 040 00 4W9 955 559 040 00 03C 955 559 039 00	Satin aluminium Rally Black/Red inscription Porsche Cayenne Cayenne Turbo S D - MJ 2009>>	Turbo S	1	PR:D5Z,E8A, 0NB
4	955 559 795 00	Securing plate Porsche crest		1	
5	955 559 600 00	Porsche crest Discontinued part		1	
5	955 559 600 01	Porsche crest Discontinued part		1	
5	955 559 600 02	Porsche crest		1	
7	955 559 151 01	Guide rail	left	1	PR:D5Z,QJ4, 3FA,3FE
7	955 559 151 01	Guide rail	left	1	PR:D5V,D5X, 3FA,3FE
(7)	955 559 152 01	Guide rail	right	1	PR:D5Z,QJ4, 3FA,3FE
(7)	955 559 152 01	Guide rail	right	1	PR:D5V,D5X, 3FA,3FE
7	955 559 153 01	Guide rail	left	1	PR:D5Z,QJ2, 3FA,3FE
(7)	955 559 154 01	Guide rail	right	1	PR:D5Z,QJ2, 3FA,3FE
(7)	955 559 155 03	Guide rail	left	1	PR:D5Z,QJ4, 3FU
(7)	955 559 155 03	Guide rail	left	1	PR:D5V,D5X, 3FU
(7)	955 559 156 03	Guide rail	right	1	PR:D5Z,QJ4, 3FU
(7)	955 559 156 03	Guide rail	right	1	PR:D5V,D5X, 3FU
(7)	955 559 157 03	Guide rail	left	1	PR:D5Z,QJ2, 3FU
(7)	955 559 158 03	Guide rail	right	1	PR:D5Z,QJ2, 3FU
8	955 559 091 00	Nut Mount		8	
9	955 559 139 00	Guide rail sealing plug Mount		X	PR:D5Z,QJ4, 3FU

Model: 9PA108

Model life 2007>>2010

Pos	Part Number	Description	Remark	Qty	Model
9	955 559 139 00	Guide rail sealing plug Mount		X	PR:D5V,D5X, 3FU
9	955 559 139 00	Guide rail sealing plug Mount		X	PR:D5Z,QJ4, 3FA,3FE
9	955 559 139 00	Guide rail sealing plug Mount		X	PR:D5V,D5X, 3FA,3FE
(9)	955 559 140 00	Guide rail sealing plug Mount		X	PR:D5Z,QJ2, 3FU
(9)	955 559 140 00	Guide rail sealing plug Mount		X	PR:D5Z,QJ2, 3FA,3FE
10		Guide rail Roof carrier see illustration: Tequipment catalogue	front and rear 801-002	2	PR:3S8
11	955 801 225 01	Cover cap silver	left outer	2	PR:3S8
(11)	955 801 226 00	Cover cap silver	right outer	2	PR:3S8
12	955 538 050 00	Set of locks Roof carrier	front and rear	2	PR:3S8
13	955 801 385 00	Protective rubber Roof carrier	front and rear	2	PR:3S8
14	955 559 327 00	Water deflector strip	left	1	
(14)	955 559 327 00 03C	Rally black			
(14)	955 559 328 00	Water deflector strip	right	1	
(14)	955 559 328 00 03C	Rally black			
15	955 559 587 00	Bracket Water deflector strip	left	1	
(15)	955 559 587 00 03C	Rally black			
(15)	955 559 588 00	Bracket Water deflector strip	right	1	
16	955 559 588 00 03C	Rally black			
16	955 559 707 00	Retaining clip for Water deflector strip		8	
17	N 907 878 02	cup rivet AK 3,2 X 6,5 Mount for Retaining clip		16	
18	955 559 485 00	Water deflector strip Roof edge strip	left front	1	PR:QJ2
(18)	955 559 485 00 4W9	Satin aluminium			
(18)	955 559 486 00	Roof edge strip	right front	1	PR:QJ2
18	955 559 486 00 4W9	Satin aluminium			
18	955 559 485 00	Roof edge strip	left front	1	PR:QJ4
(18)	955 559 485 00 XX2	Matt black			
(18)	955 559 486 00	Roof edge strip	right front	1	PR:QJ4
(18)	955 559 486 00 XX2	Matt black			

Model: 9PA108 Model life 2007>>2010

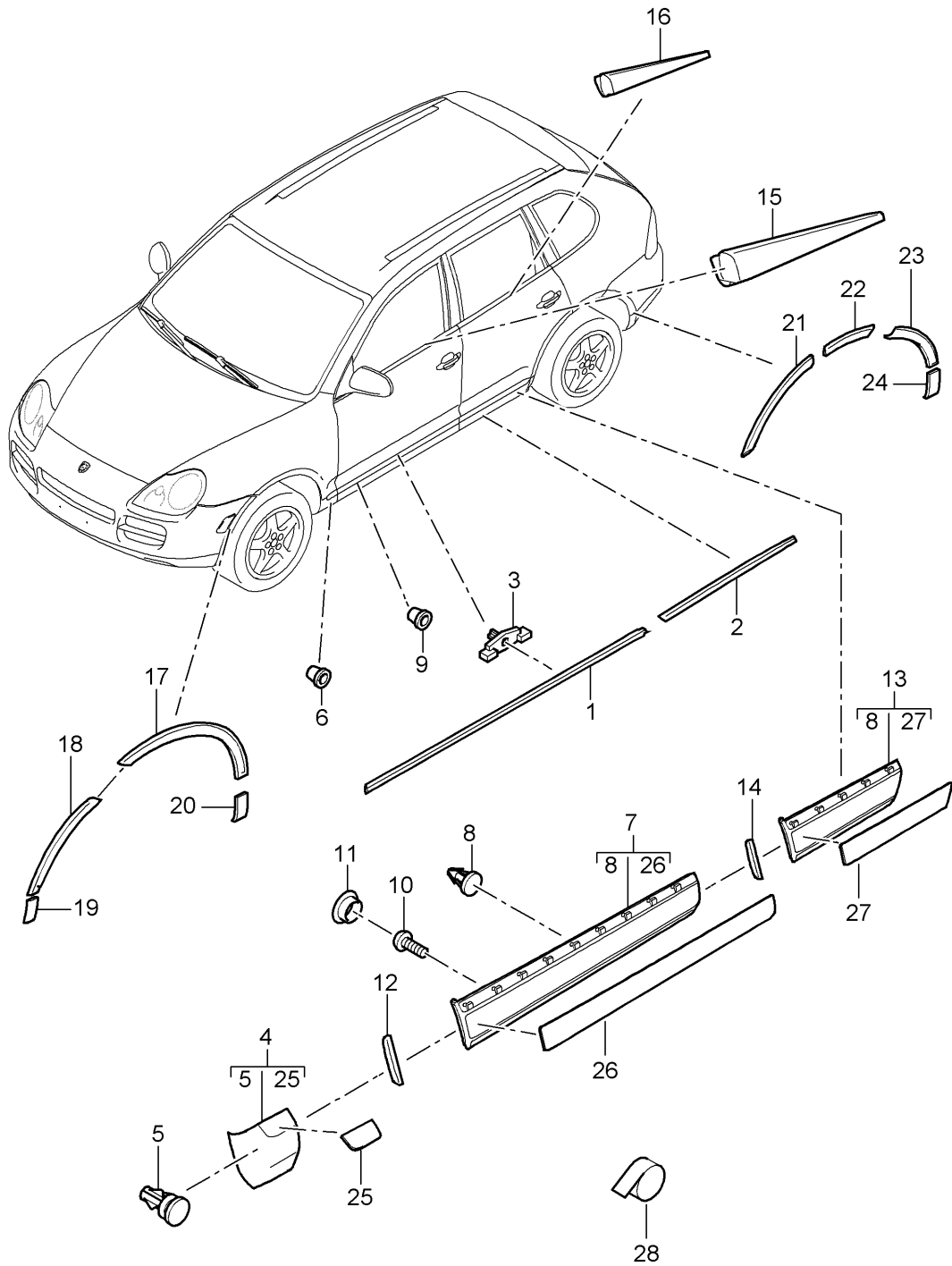
Pos	Part Number	Description	Remark	Qty	Model
19	955 559 585 00	Retaining clip Roof edge strip	front	28	
20		Trim Side window	rear	1	
		see illustration:	805-000		
21	955 559 317 01	trim for pillar b	left	1	PR:QJ2
	955 559 317 01 4W9	Satin aluminium			
(21)	955 559 318 01	trim for pillar b	right	1	PR:QJ2
	955 559 318 01 4W9	Satin aluminium			
21	955 559 319 00	trim for pillar b	left	1	PR:QJ4
	955 559 319 00 XX2	Matt black			
(21)	955 559 320 00	trim for pillar b	right	1	PR:QJ4
	955 559 320 00 XX2	Matt black			
22	955 559 455 00	Cap Trim B-pillar	left	1	
	955 559 455 00 B41	Satin black			
(22)	955 559 456 00	Cap Trim B-pillar	right	1	
	955 559 456 00 B41	Satin black			
23	N 904 325 02	expanding nut DST 4,2 X 1,7 for Mount Trim B-pillar		8	
24	955 559 337 00	Bracket Trim B-pillar	left	1	
	955 559 337 00 B41	Satin black			
(24)	955 559 338 00	Bracket Trim B-pillar	right	1	
	955 559 338 00 B41	Satin black			
25	N 909 868 02	Hexagon socket head panel bolt ST 4,2 X 13 for Mount Trim B-pillar		8	
26		Trim c-pillar		1	
		see illustration:	805-000		
27	955 559 089 00	Underlay Guide rail		6	
28	955 559 465 00	Protective strip Roof		4	
	955 559 465 00 4W9	Satin aluminium			
	955 559 465 00 XX2	Matt black			
29	955 559 021 02	roof rail (complete)	left	1	
	955 559 021 02 4W9	Satin aluminium			
	955 559 021 02 XX2	Matt black			
(29)	955 559 022 02	roof rail (complete)	right	1	
	955 559 022 02 4W9	Satin aluminium			
	955 559 022 02 XX2	Matt black			
30	955 559 377 00	Console	left front	1	
30	955 559 377 00	Console	right center	1	
30	955 559 377 00	Console	right	1	

Model: 9PA108 Model life 2007>>2010

Pos	Part Number	Description	Remark	Qty	Model
31	955 559 378 00	Console	rear	1	
			left		
			center		
31	955 559 378 00	Console	left	1	
			rear		
31	955 559 378 00	Console	right	1	
			front		
32	955 559 381 01	threaded pin M 10 for Fixing Console		3	
33	955 559 339 00	Bungs	front	1	
	955 559 339 00 4W9	Satin aluminium			
	955 559 339 00 XX2	Matt black			
(33)	955 559 341 00	Bungs	center	1	
	955 559 341 00 4W9	Satin aluminium			
	955 559 341 00 XX2	Matt black			
(33)	955 559 340 00	Bungs	rear	1	
	955 559 340 00 4W9	Satin aluminium			
	955 559 340 00 XX2	Matt black			
34	955 559 435 01	inscription doors Transsyberia	left	1	PR:E2D
	955 559 435 01 8C6	orange			PR:6FI
	955 559 435 01 M7W	Meteor Grey Metallic			PR:6FP
	955 559 435 01 A7W	Crystal silver metallic			PR:6FM
(34)	955 559 436 01	inscription doors Transsyberia	right	1	PR:E2D
	955 559 436 01 8C6	orange			PR:6FI
	955 559 436 01 M7W	Meteor Grey Metallic			PR:6FP
	955 559 436 01 A7W	Crystal silver metallic			PR:6FM
35	955 559 757 00	inscription (complete) for	left side	1	PR:E1T
(35)	955 559 758 00	inscription (complete) for	right side	1	PR:E1T
36	955 559 770 00	inscription Cover	front	1	PR:E1T

Model: 9PA108

Model life 2007>>2010



Model: 9PA108 Model life 2007>>2010

Pos	Part Number	Description	Remark	Qty	Model
		Decorative fittings			
1	955 559 303 01	Door sill rail	lower outer left front	1	
	955 559 303 01 01C	Satin black			
(1)	955 559 304 00	Door sill rail	right front	1	
	955 559 304 00 01C	Satin black			
2	955 559 305 00	Door sill rail	left rear	1	
	955 559 305 00 01C	Satin black			
(2)	955 559 306 00	Door sill rail	right rear	1	
	955 559 306 00 01C	Satin black			
3	955 559 547 00	Retaining clip Door sill rail	front and rear	16	
4	955 559 641 02	lining for fender	left	1	PR:QJ2
	955 559 641 02 G2X	primed			
(4)	955 559 642 02	lining for fender	right	1	PR:QJ2
	955 559 642 02 G2X	primed			
4	955 559 647 02	lining for fender	left	1	PR:QJ4
	955 559 647 02 G2X	primed			
(4)	955 559 648 02	lining for fender	right	1	PR:QJ4
	955 559 648 02 G2X	primed			
5	955 559 719 00	Clip		X	
6	955 559 586 00	Grommet Mount Cover Wing		8	
7	955 559 665 01	molding for door	left front	1	PR:QJ2
	955 559 665 01 G2X	primed silver			
(7)	955 559 666 01	molding for door	right front	1	PR:QJ2
	955 559 666 01 G2X	primed silver			
7	955 559 673 01	molding for door	left front	1	PR:QJ4
	955 559 673 01 G2X	primed Black			
(7)	955 559 674 01	molding for door	right front	1	PR:QJ4
	955 559 674 01 G2X	primed Black			
8	955 559 069 00	Retaining clip		X	
9	955 559 586 00	Grommet Mount strip	front and rear	24	
10	N 906 448 05	Door seal Oval hexagon socket head bolt M 5 X 9,0 Mount strip	front and rear	4	
11	955 559 108 00	Door seal Bungs for strip	front and rear	4	
12	955 559 189 00	Door seal Trim	left front	1	
	955 559 189 00 B41	Satin black D			

>> - MJ 2007

Model: 9PA108 Model life 2007>>2010

Pos	Part Number	Description	Remark	Qty	Model
	955 559 189 00 9B9	Satin black D - MJ 2008>>			
(12)	955 559 190 00	Trim	right front	1	
	955 559 190 00 B41	Satin black D >> - MJ 2007			
	955 559 190 00 9B9	Satin black D - MJ 2008>>			
13	955 559 681 01	molding for door	left rear	1	PR:QJ2,2D1,2D3,2D4
	955 559 681 01 G2X	primed			
(13)	955 559 682 01	molding for door	right rear	1	PR:QJ2,2D1,2D3,2D4
	955 559 682 01 G2X	primed			
(13)	955 559 681 02	molding for door	left rear	1	PR:QJ2,2D0,2D2
	955 559 681 02 G2X	primed			
(13)	955 559 682 02	molding for door	right rear	1	PR:QJ2,2D0,2D2
	955 559 682 02 G2X	primed			
13	955 559 687 01	molding for door	left rear	1	PR:QJ4,2D1,2D3,2D4
	955 559 687 01 G2X	primed			
(13)	955 559 688 01	molding for door	right rear	1	PR:QJ4,2D1,2D3,2D4
	955 559 688 01 G2X	primed			
(13)	955 559 687 02	molding for door	left rear	1	PR:QJ4,2D0,2D2
	955 559 687 02 G2X	primed			
(13)	955 559 688 02	molding for door	right rear	1	PR:QJ4,2D0,2D2
	955 559 688 02 G2X	primed			
14	955 559 191 00	Trim	left rear	1	
	955 559 191 00 B41	Satin black D >> - MJ 2007			
	955 559 191 00 B41	Satin black D - MJ 2008>>			
(14)	955 559 192 00	Trim	right rear	1	
	955 559 192 00 B41	Satin black D >> - MJ 2007			
	955 559 192 00 B41	Satin black D - MJ 2008>>			
15	955 559 475 01	Cover Side window	left front	1	PR:QJ2
	955 559 475 01 4W9	Satin aluminium			
(15)	955 559 476 01	Cover Side window	right front	1	PR:QJ2
	955 559 476 01 4W9	Satin aluminium			
15	955 559 479 00	Cover Side window	left front	1	PR:QJ4
	955 559 479 00 XX2	Matt black			
15	955 559 480 00	Cover Side window	right front	1	PR:QJ4
	955 559 480 00 XX2	Matt black			
16	955 559 477 01	Cover Side window	left rear	1	PR:QJ2
	955 559 477 01 4W9	Satin aluminium			
(16)	955 559 478 01	Cover Side window	right rear	1	PR:QJ2
	955 559 478 01 4W9	Satin aluminium			
16	955 559 481 00	Cover	left	1	PR:QJ4

Model: 9PA108 Model life 2007>>2010

Pos	Part Number	Description	Remark	Qty	Model
(16)	955 559 481 00 XX2	Side window Matt black	rear	1	PR:QJ4
	955 559 482 00	Cover	right		
17	955 559 482 00 XX2	Side window Matt black	rear	1	PR:6GE,6GF, 6GG
	955 559 717 02	wheel cover	left		
	955 559 717 02 7E9	Wing Black	front		
(17)	955 559 717 02 G2X	primed		1	PR:6GH,6GJ, 6GK
	955 559 718 02	wheel cover	right		
	955 559 718 02 7E9	Wing Black	front		
18	955 559 718 02 G2X	primed		1	PR:6GE,6GF, 6GG PR:6GH,6GJ, 6GK
	955 559 727 01	wheel cover bumper	left		
	955 559 727 01 7E9	Black	front		
(18)	955 559 727 01 G2X	primed		1	PR:6GF,6GG PR:6GH,6GJ
	955 559 728 01	wheel cover bumper	right		
(18)	955 559 728 01 7E9	Black	front	1	PR:6GF,6GG PR:6GH,6GJ
	955 559 728 01 G2X	primed			
19	955 559 728 03	wheel cover bumper	right	1	PR:6GF,6GG PR:6GH,6GJ
	955 559 728 03 G2X	primed	front		
19	955 559 851 00	wheel cover Spoiler	left	1	PR:6GE,6GF, 6GG PR:6GH,6GJ, 6GK
	955 559 851 00 7E9	Black	front		
	955 559 851 00 G2X	primed			
19	955 559 852 00	wheel cover Spoiler Discontinued part	right	1	PR:6GE,6GF, 6GG
	955 559 852 00 7E9	Black	front		
	955 559 852 00 G2X	primed			
19	955 559 852 01	wheel cover Spoiler	right	1	PR:6GE,6GF, 6GG
	955 559 852 01 7E9	Black	front		
19	955 559 852 01 G2X	primed		1	PR:6GH,6GJ, 6GK
	955 559 852 00	wheel cover Spoiler Discontinued part	right		
	955 559 852 00 7E9	Black	front		
19	955 559 852 00 G2X	primed		1	PR:6GH,6GJ, 6GK
	955 559 852 01	wheel cover Spoiler	right		
20	955 559 852 01 7E9	Black	front	1	PR:6GE,6GF, 6GG PR:6GH,6GJ, 6GK
	955 559 852 01 G2X	primed			
	955 559 731 01	wheel cover	left		
(20)	955 559 731 01 7E9	Wing Black	lower	1	PR:6GE,6GF, 6GG PR:6GH,6GJ, 6GK
	955 559 731 01 G2X	primed			
	955 559 732 01	wheel cover Wing Discontinued part	right		
(20)	955 559 732 01 7E9	Black	lower	1	PR:6GE,6GF, 6GG
	955 559 732 01 G2X	primed			

Model: 9PA108 Model life 2007>>2010

Pos	Part Number	Description	Remark	Qty	Model
(20)	955 559 732 02	wheel cover Wing	right lower	1	PR: 6GE, 6GF, 6GG
	955 559 732 02 7E9	Black			
	955 559 732 02 G2X	primed			
(20)	955 559 732 01	wheel cover Wing Discontinued part	right lower	1	PR: 6GH, 6GJ, 6GK
	955 559 732 01 7E9	Black			
	955 559 732 01 G2X	primed			
(20)	955 559 732 02	wheel cover Wing	right lower	1	PR: 6GH, 6GJ, 6GK
	955 559 732 02 7E9	Black			
	955 559 732 02 G2X	primed			
21	955 559 737 01	wheel cover Door	left	1	PR: 2D0, 2D2
	955 559 737 01 7E9	Black			PR: 6GE, 6GF, 6GG
	955 559 737 01 G2X	primed			PR: 6GH, 6GJ, 6GK
(21)	955 559 738 01	wheel cover Door	right	1	PR: 2D0, 2D2
	955 559 738 01 7E9	Black			PR: 6GE, 6GF, 6GG
	955 559 738 01 G2X	primed			PR: 6GH, 6GJ, 6GK
(21)	955 559 738 02	wheel cover Door	right	1	PR: 2D0, 2D2
	955 559 738 02 G2X	primed			PR: 6GH, 6GJ, 6GK
(21)	955 559 739 00	wheel cover Door	left	1	PR: 2D1, 2D3,
	955 559 739 00 7E9	Black			PR: 6GE, 6GF, 6GG
	955 559 739 00 G2X	primed			PR: 6GH, 6GJ, 6GK
(21)	955 559 740 00	wheel cover Door	right	1	PR: 2D1, 2D3,
	955 559 740 00 7E9	Black			PR: 6GE, 6GF, 6GG
	955 559 740 00 G2X	primed			PR: 6GH, 6GJ, 6GK
22	955 559 721 01	wheel cover Side part	left rear	1	
	955 559 721 01 7E9	Black			PR: 6GE, 6GF, 6GG
	955 559 721 01 G2X	primed			PR: 6GH, 6GJ, 6GK
(22)	955 559 722 01	wheel cover Side part	right rear	1	
	955 559 722 01 7E9	Black			PR: 6GE, 6GF, 6GG
	955 559 722 01 G2X	primed			PR: 6GH, 6GJ, 6GK
23	955 559 747 01	wheel cover bumper	left rear	1	PR: 6GF, 6GG
	955 559 747 01 7E9	Black			
	955 559 747 01 G2X	primed			
23	955 559 747 02	wheel cover bumper	left rear	1	PR: 6GF, 6GG
	955 559 747 02 G2X	primed			
23	955 559 747 01	wheel cover bumper	left rear	1	PR: 6GH, 6GJ
	955 559 747 01 7E9	Black			

Model: 9PA108 Model life 2007>>2010

Pos	Part Number	Description	Remark	Qty	Model
23	955 559 747 01 G2X	primed			
	955 559 747 02	wheel cover bumper	left rear	1	PR: 6GH, 6GJ
23	955 559 747 02 G2X	primed			
	955 559 747 03	wheel cover bumper	left rear	1	PR: 6GH, 6GJ
(23)	955 559 747 03 7E9	Black			
	955 559 747 03 G2X	primed			
(23)	955 559 748 01	wheel cover bumper	right rear	1	PR: 6GF, 6GG
		Discontinued part			
(23)	955 559 748 01 7E9	Black			
	955 559 748 01 G2X	primed			
(23)	955 559 748 02	wheel cover bumper	right rear	1	PR: 6GF, 6GG
		Discontinued part			
(23)	955 559 748 02 G2X	primed			
	955 559 748 03	wheel cover bumper	right rear	1	PR: 6GF, 6GG
(23)	955 559 748 03 7E9	Black			
	955 559 748 03 G2X	primed			
(23)	955 559 748 01	wheel cover bumper	right rear	1	PR: 6GH, 6GJ
		Discontinued part			
(23)	955 559 748 01 7E9	Black			
	955 559 748 01 G2X	primed			
(23)	955 559 748 02	wheel cover bumper	right rear	1	PR: 6GH, 6GJ
		Discontinued part			
(23)	955 559 748 02 G2X	primed			
	955 559 749 02	wheel cover bumper	left rear	1	"AUS"
(23)	955 559 749 02 7E9	Black			PR: 6GE
	955 559 749 02 G2X	primed			PR: 6GK
(23)	955 559 750 02	wheel cover bumper	right rear	1	"AUS"
		Discontinued part			
(23)	955 559 750 02 7E9	Black			PR: 6GE
	955 559 750 02 G2X	primed			PR: 6GK
(23)	955 559 751 01	wheel cover bumper	left rear	1	PR: 6GA, 2D2, 2D3
		Discontinued part			"AUS"
(23)	955 559 751 01 7E9	Black			PR: 6GE
	955 559 751 01 G2X	primed			PR: 6GK
(23)	955 559 752 00	wheel cover bumper	right rear	1	PR: 6GA, 2D0
		Discontinued part			"AUS"
(23)	955 559 752 00 7E9	Black			
	955 559 752 00 G2X	primed			
(23)	955 559 752 01	wheel cover bumper	right rear	1	PR: 6GA, 2D2, 2D3
		Discontinued part			"AUS"
(23)	955 559 752 01 7E9	Black			PR: 6GE
	955 559 752 01 G2X	primed			PR: 6GK
(23)	955 559 752 00	wheel cover bumper	right rear	1	PR: 6GA, 2D1, 2D2, 2D3
		Discontinued part			"AUS"
24	955 559 752 00 7E9	Black			
	955 559 752 00 G2X	primed			
24	955 559 815 00	wheel cover Spoiler	left rear	1	
	955 559 815 00 7E9	Black			PR: 6GE, 6GF,

Model: 9PA108 Model life 2007>>2010

Pos	Part Number	Description	Remark	Qty	Model
	955 559 815 00 G2X	primed			6GG PR: 6GH, 6GJ, 6GK
(24)	955 559 816 00	wheel cover Spoiler	right rear	1	
	955 559 816 00 7E9	Black			PR: 6GE, 6GF, 6GG
	955 559 816 00 G2X	primed			PR: 6GH, 6GJ, 6GK
(24)	955 559 819 00	wheel cover Spoiler	left rear	1	"AUS"
	955 559 819 00 7E9	Black			PR: 6GE
	955 559 819 00 G2X	primed			PR: 6GK
(24)	955 559 820 00	wheel cover Spoiler	right rear	1	"AUS"
	955 559 820 00 7E9	Black			PR: 6GE
	955 559 820 00 G2X	primed			PR: 6GK
-	N 909 530 03	Oval hexagon socket head bolt for wheel cover Spoiler		1	"AUS"
-	N 106 120 02	Washer for wheel cover Spoiler		1	"AUS"
25	955 559 457 03	Trim Cover Wing	left	1	PR: QJ2
			also use: 000 043 985 00	1	
(25)	955 559 457 03 4W9	Satin aluminium		1	
	955 559 458 03	Trim Cover Wing	right	1	PR: QJ2
			also use: 000 043 985 00	1	
25	955 559 458 03 4W9	Satin aluminium		1	
	955 559 459 02	Trim Cover Wing	left	1	PR: QJ4
(25)	955 559 459 02 XX2	Matt black		1	
	955 559 460 02	Trim Cover Wing	right	1	PR: QJ4
26	955 559 460 02 XX2	Matt black		1	
	955 559 283 02	molding for door	left front	1	PR: QJ2
(26)	955 559 283 02 4W9	Satin aluminium		1	
	955 559 284 02	molding for door	right front	1	PR: QJ2
26	955 559 284 02 4W9	Satin aluminium		1	
	955 559 287 01	molding for door	left front	1	PR: QJ4
(26)	955 559 287 01 XX2	Matt black		1	
	955 559 288 01	molding for door	right front	1	PR: QJ4
27	955 559 288 01 XX2	Matt black		1	
	955 559 285 02	molding for door	left rear	1	PR: QJ2
(27)	955 559 285 02 4W9	Satin aluminium		1	
	955 559 286 02	molding for door	right rear	1	PR: QJ2
27	955 559 286 02 4W9	Satin aluminium		1	
	955 559 289 01	molding for door	left rear	1	PR: QJ4

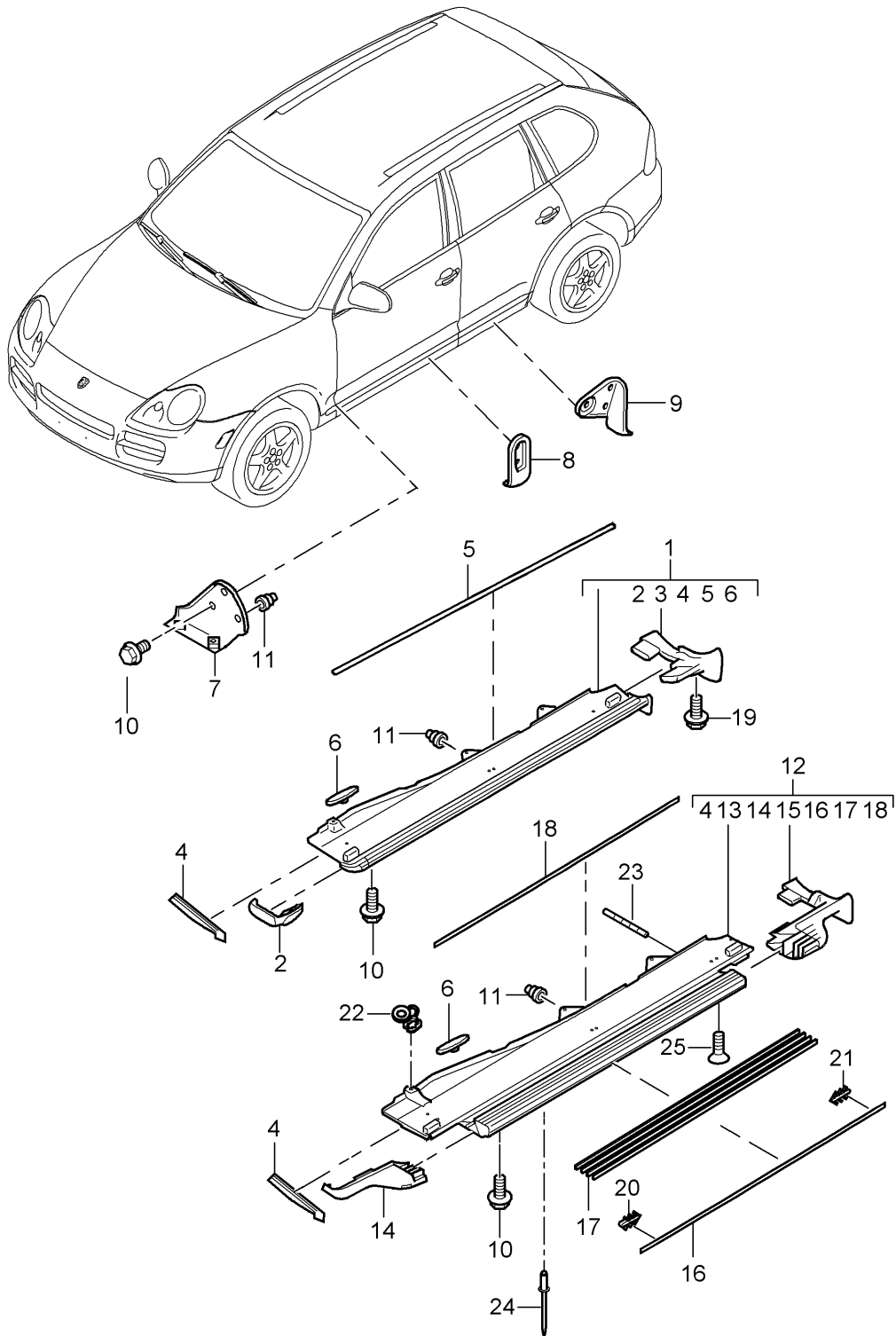
Model: 9PA108

Model life 2007>>2010

Pos	Part Number	Description	Remark	Qty	Model
(27)	955 559 289 01 XX2 955 559 290 01	Matt black molding for door	right rear	1	PR:QJ4
28	955 559 290 01 XX2 000 043 206 04	Matt black Adhesive tape Mount Trim		1	
28	000 043 305 30	Adhesive tape Mount Trim		1	
(28)	000 043 985 00	Adhesive tape Mount wheel cover		1	

Model: 9PA108

Model life 2007>>2010



Model: 9PA108

Model life 2007>>2010

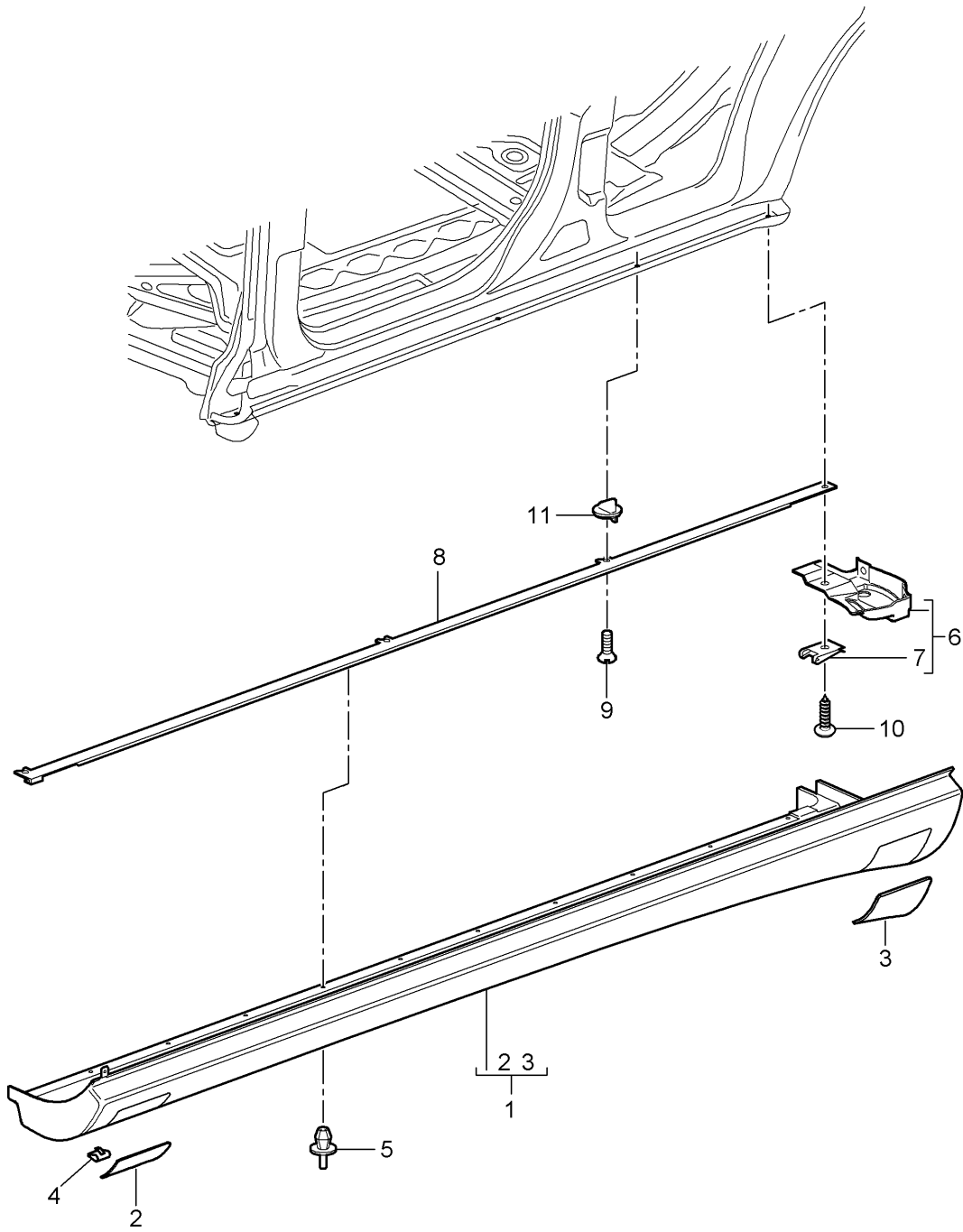
Pos	Part Number	Description	Remark	Qty	Model
1	955 559 553 04	Linings Accessories Sill Door sill rail	left	1	PR:2D0,2D2, 6EP,6ES
(1)	955 559 553 04 4W9	(complete) Satin aluminium			
	955 559 554 04	Rockrails	right	1	PR:2D0,2D2, 6EP,6ES
	955 559 554 04 4W9	(complete) Satin aluminium			
2	955 559 691 00	Cover	left front	1	PR:2D0,2D2, 6EP,6ES
(2)	955 559 691 00 01C	Sill Satin black			
	955 559 692 00	Cover	right front	1	PR:2D0,2D2, 6EP,6ES
	955 559 692 00 01C	Sill Satin black			
3	955 559 697 03	Cover	left rear	1	PR:2D0,2D2, 6EP,6ES
(3)	955 559 697 03 01C	Sill Satin black			
	955 559 698 03	Cover	right rear	1	PR:2D0,2D2, 6EP,6ES
	955 559 698 03 01C	Sill Satin black			
4	955 559 711 00	end piece	left front	1	
(4)	955 559 711 00 01C	Sill Satin black			
	955 559 712 00	end piece	right front	1	
	955 559 712 00 01C	Sill Satin black			
5	955 559 860 00	Seal		1	PR:2D0,2D2, 6EP,6ES
	955 559 860 00 01C	Sill Satin black			
6	955 559 817 00	Distance piece		11	
7	955 559 487 00	Bracket	left front	1	
7	955 559 488 00	Bracket	right front	1	
8	955 559 467 00	Bracket	center	2	
9	955 559 489 00	Bracket	left rear	1	
(9)	955 559 490 00	Bracket	right rear	1	
10	N 909 210 02	Hexagon bolt M 8 X 22		X	
11	N 904 085 04	rivetted cap nut M 8		X	
12	955 559 847 02	footboard	left	1	PR:VR1
(12)	955 559 847 02 4W9	Satin aluminium			
	955 559 848 02	footboard	right	1	PR:VR1
	955 559 848 02 4W9	Satin aluminium			
13	955 559 619 01	footboard	left	1	PR:VR1
(13)	955 559 619 01 4W9	Satin aluminium			
	955 559 620 01	footboard	right	1	PR:VR1
	955 559 620 01 4W9	Satin aluminium			
14	955 559 693 00	Cover	left front	1	PR:VR1
(14)	955 559 693 00 01C	bumper guards Satin black			
	955 559 694 00	Cover	right front	1	PR:VR1
		bumper guards			

Model: 9PA108 Model life 2007>>2010

Pos	Part Number	Description	Remark	Qty	Model
15	955 559 694 00 01C 955 559 703 01	Satin black Cover bumper guards	left rear	1	PR:VR1
(15)	955 559 703 01 01C 955 559 704 01	Satin black Cover bumper guards	right rear	1	PR:VR1
16	955 559 704 01 01C 955 559 589 00	Satin black Protective strip bumper guards		1	PR:VR1
17	955 559 859 00	Black Profile strip bumper guards		1	PR:VR1
18	955 559 862 00	Black Seal bumper guards		1	PR:VR1
19	N 908 794 02	Hexagon socket head panel bolt 5 X 16		2	
20	955 559 590 00	Cup expander spring	front	1	
21	955 559 591 00	Cup expander spring	rear	1	
22	955 559 630 00	Spacer ring		1	
23	955 559 640 00	Pin		2	
24	955 559 850 00	Rivet		1	
25	955 559 840 00	Set Screw		4	

Model: 9PA108

Model life 2007>>2010



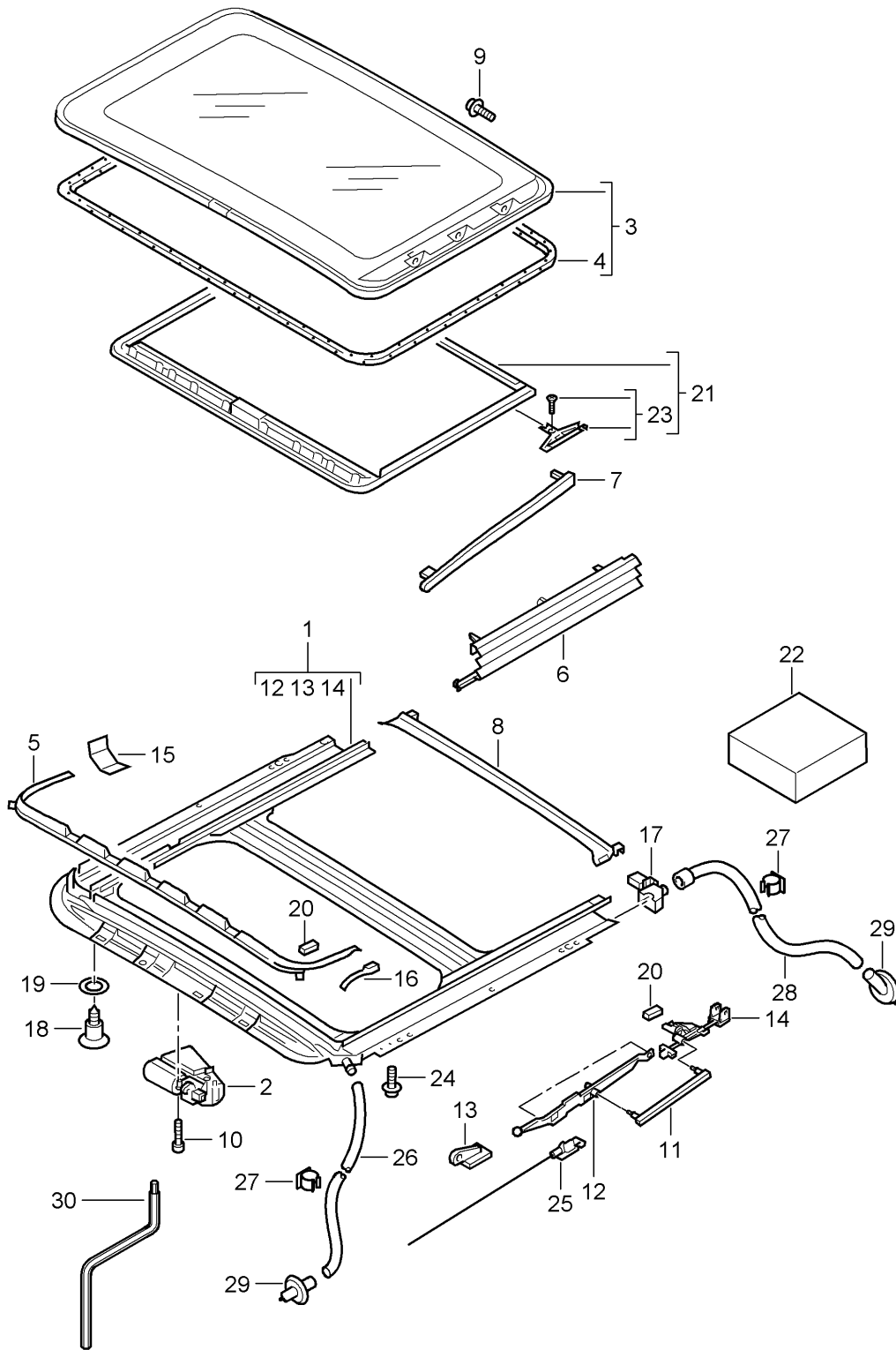
Model: 9PA108

Model life 2007>>2010

Pos	Part Number	Description	Remark	Qty	Model
		Linings			
		Accessories			
		Sill			
1	955 559 887 01	Side member trim (complete)	left	1	PR: 2D1, 2D3, 2D4
	955 559 887 01 G2X	primed			
(1)	955 559 888 01	Side member trim (complete)	right	1	PR: 2D1, 2D3, 2D4
	955 559 888 01 G2X	primed			
-	000 043 207 55	Double-sided adhesive tape for	right	1	
		Side member trim			
2	955 559 827 00	Flap jack	left front	1	PR: 2D1, 2D3, 2D4
	955 559 827 00 G2X	primed			
(2)	955 559 828 00	Flap jack	right front	1	PR: 2D1, 2D3, 2D4
	955 559 828 00 G2X	primed			
3	955 559 837 00	Flap jack	left rear	1	PR: 2D1, 2D3, 2D4
	955 559 837 00 G2X	primed			
(3)	955 559 838 00	Flap jack	right rear	1	PR: 2D1, 2D3, 2D4
	955 559 838 00 G2X	primed			
4	3D0 857 340	Retaining clip Flap		4	
		socket - jack			
5	N 909 275 01	Spreader rivet 8,0 X 3,5		10	PR: 2D1, 2D3, 2D4
6	955 559 603 01	Bracket Side member trim	left	1	PR: 2D1, 2D3, 2D4
6	955 559 604 01	Bracket Side member trim	right	1	PR: 2D1, 2D3, 2D4
7	N 908 343 01	Clip nut 4,8		2	
8	955 559 883 01	retaining strip Side member trim Discontinued part	left	1	PR: 2D1, 2D3, 2D4
8	955 559 883 02	retaining strip Side member trim	left	1	PR: 2D1, 2D3, 2D4
(8)	955 559 884 01	retaining strip Side member trim Discontinued part	right	1	PR: 2D1, 2D3, 2D4
(8)	955 559 884 02	retaining strip Side member trim	right	1	PR: 2D1, 2D3, 2D4
9	N 104 485 04	Hex socket countersunk bolt M 6 X 16		3	PR: 2D1, 2D3, 2D4
10	N 910 447 01	panel screw 4,8 X 13		2	PR: 2D1, 2D3, 2D4
11	955 559 821 00	Retaining clip Side member trim		3	PR: 2D1, 2D3, 2D4

Model: 9PA108

Model life 2007>>2010



Model: 9PA108 Model life 2007>>2010

Pos	Part Number	Description	Remark	Qty	Model
1	955 564 025 00	Sunroof Frame for sliding sunroof aperture (complete)		1	
2	955 564 001 10	Driving mechanism		1	
3	955 564 002 10	Glass roof Discontinued part		1	
(3)	955 564 002 20	Glass roof		1	
4	955 564 003 00	Seal No longer use the part here		1	
(4)	955 564 003 01	Seal		1	
5	955 564 004 10	wind deflector		1	
6	955 564 005 00	Bellows	left	1	
(6)	955 564 006 00	Bellows	right	1	
7	955 564 007 00	Filler piece		2	
8	955 564 008 00	Water deflector strip		1	
9	955 564 009 10	Socket head bolt Glass roof M5		6	
10	955 564 010 00	Fastening screw Driving mechanism		1	
11	955 564 011 00	Distance piece		1	
12	955 564 012 10	gate guide	right	1	
(12)	955 564 013 10	gate guide	left	1	
13	955 564 014 00	Guide	right	1	
(13)	955 564 015 00	Guide	left	1	
14	955 564 016 00	locking segment	right	1	
(14)	955 564 017 00	locking segment	left	1	
15	955 564 018 00	Parts kit wind deflector		1	
16	955 564 019 00	leaf spring		1	
17	955 564 020 00	Parts kit Corner piece		1	
18	955 564 021 00	Clamping screw		4	
19	955 564 022 00	Washer		1	
20	955 564 023 00	Damper Discontinued part		1	
20	955 564 023 01	Damper		1	
21	955 564 024 01	Roofliner frame		1	
	955 564 024 01 6L2	steel grey			
	955 564 024 01 6K1	Sand beige			
	955 564 024 01 K90	Black			
(21)	955 564 024 01	Roofliner frame Alcantara		1	
	955 564 024 01 5E6	Black			
	955 564 024 01 5E5	steel grey			
	955 564 024 01 5G6	Sand beige			
22	955 564 026 00	sealing cord		1	
23	955 564 027 00	Glide piece		1	
24	N 907 498 03	Oval hexagon socket head bolt M6	side	6	
25	955 564 029 00	pull cable guide		2	
(26)	955 564 031 00	Water drainage hose Discontinued part	left front	1	
26	955 562 201 02	Water drainage hose	left front	1	
(26)	955 564 030 00	Water drainage hose	right front	1	
(26)	955 562 202 02	Discontinued part Water drainage hose	right front	1	

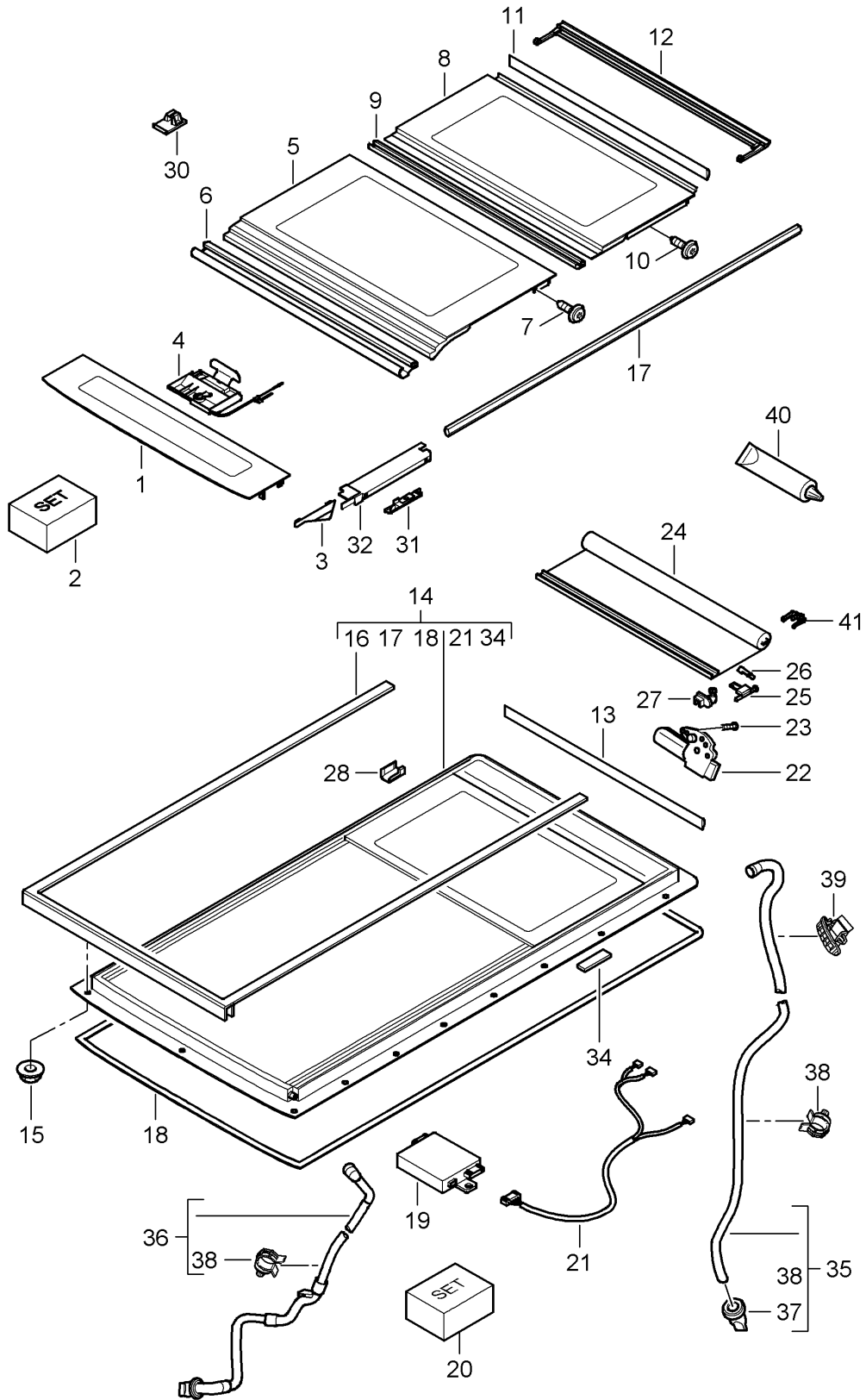
Model: 9PA108

Model life 2007>>2010

Pos	Part Number	Description	Remark	Qty	Model
27	955 628 260 00	Hose bracket		X	
28	955 564 032 00	Water drainage hose	left	1	
(28)	955 564 038 00	Water drainage hose	rear	1	
			right	1	
			rear	1	
29	955 564 035 00	drain tube		2	
30	955 564 036 00	crank		1	
		Emergency operation			
-	000 043 207 56	Grease		1	
		50 ml			
		Polylub GLY 151			

Model: 9PA108

Model life 2007>>2010



Model: 9PA108 Model life 2007>>2010

Pos	Part Number	Description	Remark	Qty	Model
					PR:3FU
1	955 562 004 00	Glass roof wind deflector		1	
2	955 562 916 00	Set of fastening parts wind deflector		1	
3	955 562 906 00	Trim wind deflector	left a. right	1	
-	955 562 900 01	gate guide wind deflector		1	
4	955 562 907 00	Cassette	left a. right	1	
5	955 564 002 00	Glass roof	front	1	
6	955 562 913 00	Seal		1	
7	955 562 721 00	Screw M5 X 12,5		6	
8	955 562 056 00	Cover	center	1	
9	955 562 914 00	Seal		1	
10	955 562 722 01	Screw		6	
11	955 562 915 00	Seal		1	
12	955 562 519 00	water drain pipe		1	
13	955 562 439 00	Seal		1	
14	955 562 450 00	Frame		1	
		with:			
		Cover Fixed			
		also use:	000 043 206 76	1	
15	N 908 786 01	Hexagon collar nut self-locking M6		X	
16	955 562 423 00	Seal	outer	1	
17	955 562 440 00	Seal	inner	1	
18	955 562 459 00	Seal		1	
		All the way round			
		also use:	000 043 206 76	1	
-	000 043 206 76	sealant		1	
19	955 618 485 01	Control unit		1	
20	955 562 912 00	Set of fastening parts Control unit		1	
21	955 612 025 01	Wire set		1	
22	955 624 713 00	Driving mechanism		3	
23	955 562 912 00	Set of fastening parts M5 X 30		6	
24	955 562 716 01	roller blind		1	
	955 562 716 01 3H0	Sand beige			
	955 562 716 01 2G0	steel grey			
	955 562 716 01 1F0	Black			
(24)	955 562 716 00	roller blind		1	
	955 562 716 00 3Y7	Palm green			
-	955 562 115 00	Stop	left a. right	1	
		roller blind			
25	955 562 908 00	Sliding piece roller blind	left a. right	1	
26	955 562 919 00	thrust piece	left	1	
(26)	955 562 918 00	thrust piece	right	1	
27	955 562 909 00	Corner piece	left a. right	1	
28	955 562 413 00	locking segment		4	
30	955 562 903 00	Driving mechanism gate guide	left a. right	1	
31	955 562 904 00	Toggle catch wind deflector	left a. right	1	
32	955 562 910 00	Cover Toggle catch	left a. right	1	
34	955 562 917 00	Set Sealing strip		1	
-	000 043 300 49	activator		1	

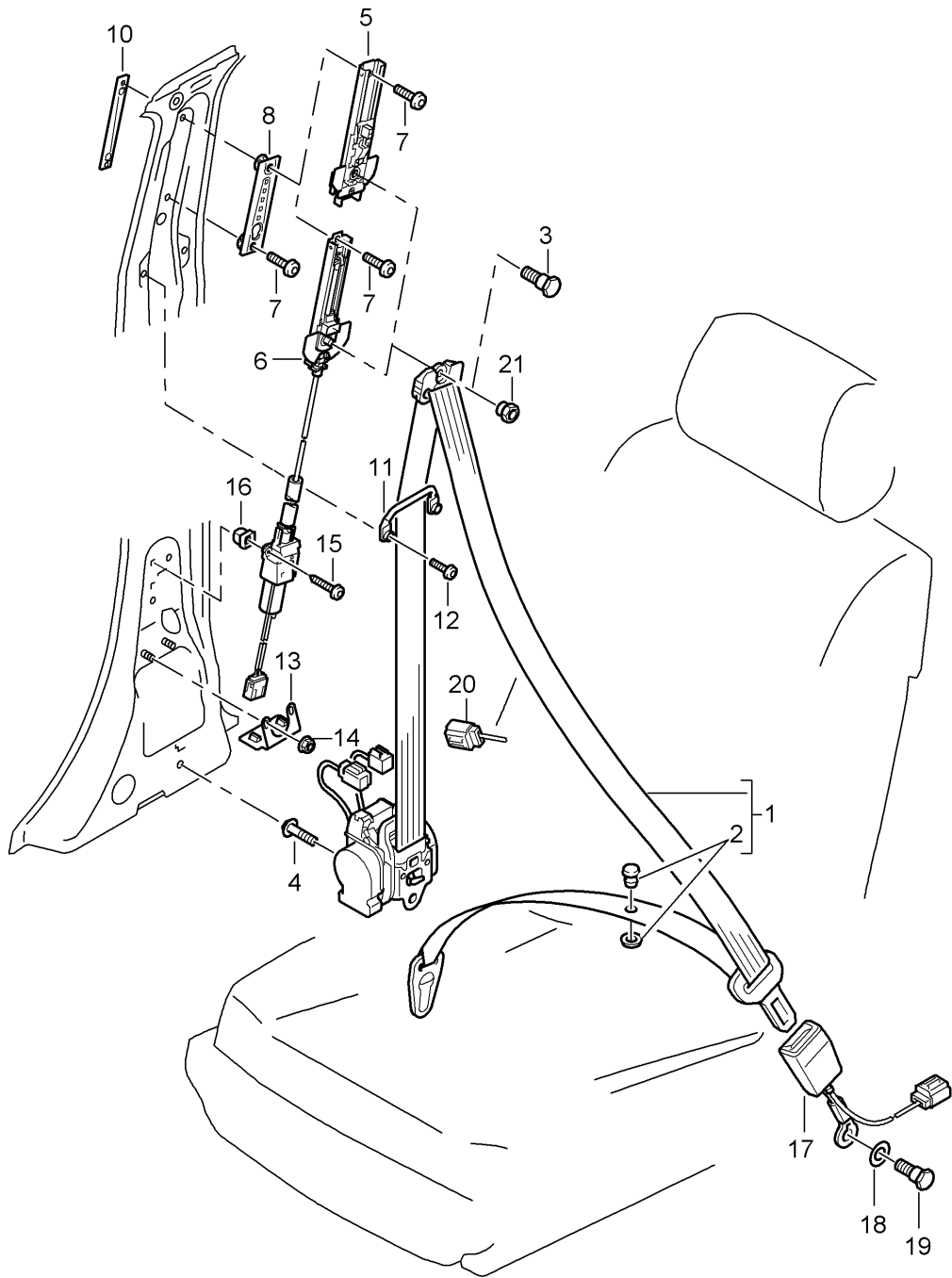
Model: 9PA108

Model life 2007>>2010

Pos	Part Number	Description	Remark	Qty	Model
35	955 562 029 00	113 ML Water drainage hose	left	1	
(35)	955 562 030 00	Water drainage hose	right	1	
36	955 562 201 03	Water drainage hose	rear	1	
(36)	955 562 202 03	Water drainage hose	front	1	
37	955 564 035 00	drain tube	front	2	
38	955 628 260 00	Hose bracket		X	
39	N 904 761 01	Cable ties		X	
40	000 043 207 56	Grease 50 ml		1	
41	955 562 115 00	Polylub GLY 151 Stop roller blind	left a. right	1	

Model: 9PA108

Model life 2007>>2010



Model: 9PA108 Model life 2007>>2010

Pos	Part Number	Description	Remark	Qty	Model
1	955 803 001 20	Seat belt Three-point safety belt	front left lhd	1	PR:L0L PR:FZ0 PR:FZ1 PR:FZ2 PR:FZ3 PR:E2D,FZ4
	955 803 001 20 HCP	Black			
	955 803 001 20 YKQ	guards red (Porsche)			
	955 803 001 20 YKR	silver			
	955 803 001 20 YKU	Sand beige			
	955 803 001 20 FZC	orange			
(1)	955 803 002 20	Three-point safety belt	right lhd	1	PR:L0L PR:FZ0 PR:FZ1 PR:FZ2 PR:FZ3 PR:E2D,FZ4
	955 803 002 20 HCP	Black			
	955 803 002 20 YKQ	guards red (Porsche)			
	955 803 002 20 YKR	silver			
	955 803 002 20 YKU	Sand beige			
	955 803 002 20 FZC	orange			
(1)	955 803 001 20	Three-point safety belt	left rhd	1	PR:L0R PR:FZ0 PR:FZ1 PR:FZ2 PR:FZ3 PR:E2D,FZ4
	955 803 001 20 HCP	Black			
	955 803 001 20 YKQ	guards red (Porsche)			
	955 803 001 20 YKR	silver			
	955 803 001 20 YKU	Sand beige			
	955 803 001 20 FZC	orange			
(1)	955 803 002 20	Three-point safety belt	right rhd	1	PR:L0R PR:FZ0 PR:FZ1 PR:FZ2 PR:FZ3 PR:E2D,FZ4
	955 803 002 20 HCP	Black			
	955 803 002 20 YKQ	guards red (Porsche)			
	955 803 002 20 YKR	silver			
	955 803 002 20 YKU	Sand beige			
	955 803 002 20 FZC	orange			
-	955 803 012 00	Guide		2	
2	955 803 056 01	knob		1	
	955 803 056 01 HCP	Black			
3	WHT 001 279	fitted bolt, hexagon head		2	
4	3B0 857 799	Hexagon bolt		2	
5	955 803 003 01	Support Height adjustment Mechanical		2	
6	955 803 008 02	Elect. vertical adjustment		2	PR:4QF
7	N 014 717 6	Socket head bolt with hex. socket head, self-locking		2	
8	955 803 058 02	Bracket		2	PR:-4QF
(8)	955 803 009 02	Bracket		2	PR:4QF
10	955 803 059 01	Securing bracket		2	
11	955 803 012 00	Guide		2	
12	N 102 913 02	Socket head bolt		2	
13	955 803 013 00	Retaining bracket	left	2	
(13)	955 803 014 00	Retaining bracket	right	2	
14	N 015 082 5	Hexagon collar nut		2	
15	900 143 047 07	panel screw Discontinued part		2	
15	900 073 007 01	panel screw		2	
16	955 803 115 00	insert nut		2	
17	955 803 017 00	Belt latch No longer use the part here	left	1	
	955 803 017 00 HCP	Black			
17	955 803 017 01	Belt latch	left	1	
	955 803 017 01 HCP	Black			
(17)	955 803 016 00	Belt latch No longer use the part here	right	1	
	955 803 016 00 HCP	Black			
(17)	955 803 016 01	Belt latch	right	1	
	955 803 016 01 HCP	Black			
18	N 905 013 01	Spring washer		2	
19	N 989 235 01	fitted bolt, hexagon head		2	
20	955 612 904 10	Cable		2	
21	N 910 106 01	hex. nut Discontinued part		2	PR:4QF

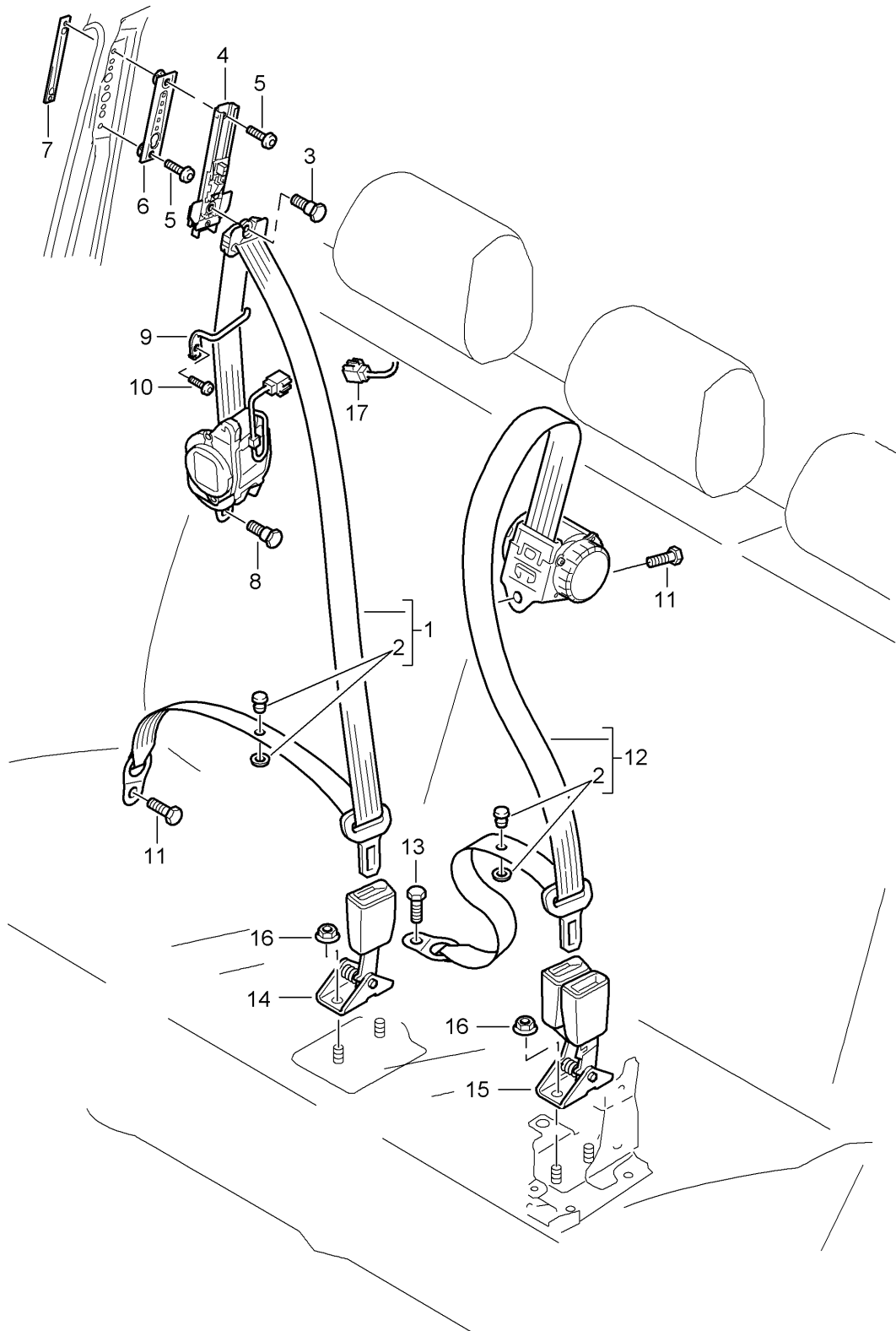
Model: 9PA108

Model life 2007>>2010

Pos	Part Number	Description	Remark	Qty	Model
21	WHT 004 771	hex. nut		2	PR: 4QF

Model: 9PA108

Model life 2007>>2010

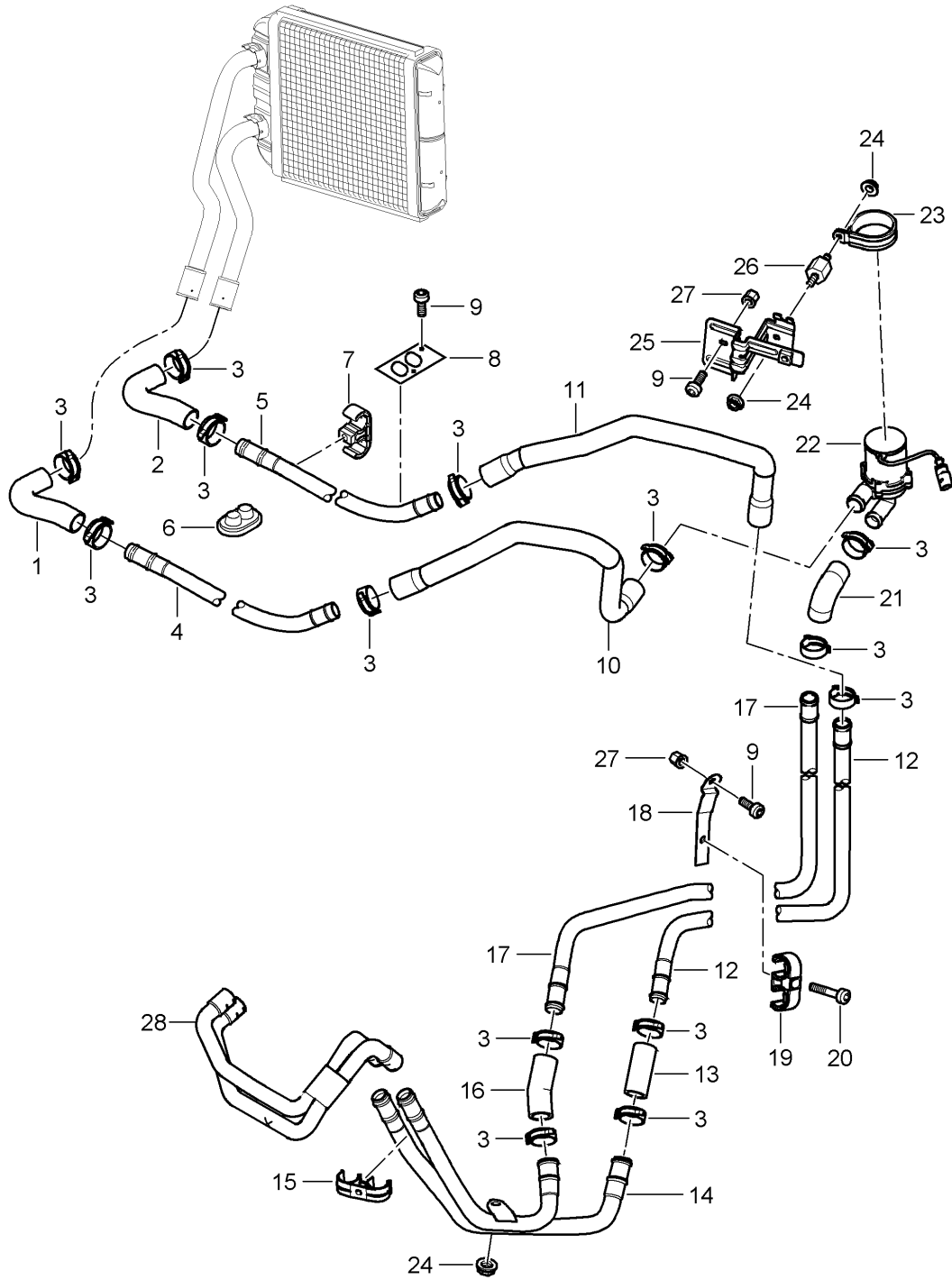


Model: 9PA108 Model life 2007>>2010

Pos	Part Number	Description	Remark	Qty	Model
1	955 803 050 10	Seat belt Three-point safety belt	rear right	1	
	955 803 050 10 HCP	Black			PR:FZ0
	955 803 050 10 YKQ	guards red (Porsche)			PR:FZ1
	955 803 050 10 YKR	silver			PR:FZ2
	955 803 050 10 YKU	Sand beige			PR:FZ3
	955 803 050 10 FZC	orange			PR:E2D,FZ4
(1)	955 803 051 10	Seat belt	left	1	
	955 803 051 10 HCP	Black			PR:FZ0
	955 803 051 10 YKQ	guards red (Porsche)			PR:FZ1
	955 803 051 10 YKR	silver			PR:FZ2
	955 803 051 10 YKU	Sand beige			PR:FZ3
	955 803 051 10 FZC	orange			PR:E2D,FZ4
2	955 803 056 01	knob		X	
	955 803 056 01 HCP	Black			
3	N 989 242 01	fitted bolt, hexagon head		2	
4	955 803 003 00	Support		2	
5	N 014 717 6	Socket head bolt with hex. socket head, self-locking		4	
6	955 803 058 00	Bracket		2	
7	955 803 059 01	Securing bracket		2	
8	3B0 857 799	Hexagon bolt		2	
9	955 803 061 00	relay lever	left	1	
(9)	955 803 060 00	relay lever	right	1	
10	N 102 913 02	Socket head bolt		2	
11	N 989 077 01	Hexagon bolt		3	
12	955 803 053 10	Seat belt		1	PR:-Q1J
	955 803 053 10 HCP	Black			PR:FZ0
	955 803 053 10 YKQ	guards red (Porsche)			PR:FZ1
	955 803 053 10 YKR	silver			PR:FZ2
	955 803 053 10 YKU	Sand beige			PR:FZ3
(12)	955 803 053 12	Seat belt		1	PR:Q1J
	955 803 053 12 HCP	Black			PR:FZ0
	955 803 053 12 YKQ	guards red (Porsche)			PR:FZ1
	955 803 053 12 YKR	silver			PR:FZ2
	955 803 053 12 YKU	Sand beige			PR:FZ3
	955 803 053 12 FZC	orange			PR:E2D,FZ4
13	N 904 411 02	Socket head bolt with inner multipoint head		1	
14	955 803 055 00	Belt latch Discontinued part	right	1	
	955 803 055 00 HCP	Black			
14	955 803 055 10	Belt latch	right	1	
	955 803 055 10 HCP	Black			
15	955 803 054 00	Belt latch Discontinued part		1	
	955 803 054 00 HCP	Black			
15	955 803 054 10	Belt latch		1	
	955 803 054 10 HCP	Black			
16	N 989 234 01	Hexagon collar nut		4	
17	955 612 904 10	Cable for Seat belt tensioner		3	

Model: 9PA108

Model life 2007>>2010



Model: 9PA108 Model life 2007>>2010

Pos	Part Number	Description	Remark	Qty	Model
		heater			PR:D5X,D5V, D5Z
		Feed line			
		return line			
(1)	955 572 982 00	Heating hose	lhd	1	PR:D5X,L0L
(1)	955 572 581 01	Heating hose	rhd	1	PR:L0R
1	955 572 581 00	Heating hose		1	PR:D5V,D5Z
		heat exchanger			
(2)	955 572 981 00	Heating hose	lhd	1	PR:D5X,L0L
(2)	955 572 983 00	Heating hose	lhd	1	PR:D5V,D5Z, L0L
3	N 906 870 01	Spring band clamp B 27 X 12		X	
(4)	955 572 925 08	Hot air duct	lhd	1	PR:D5X,L0L
		Discontinued part			
4	955 572 680 01	Hot air duct	rhd	1	PR:D5X,L0R
		Discontinued part			
(4)	955 572 682 00	Hot air duct	lhd	1	PR:D5V,D5Z, L0L
		Discontinued part			
(4)	955 572 682 01	Hot air duct	rhd	1	PR:D5V,D5Z, L0R
		heat exchanger			
		Discontinued part			
(5)	955 572 926 04	Hot air duct	lhd	1	PR:D5X,L0L
		Discontinued part			
(5)	955 572 681 01	Hot air duct	rhd	1	PR:D5X,L0R
		Discontinued part			
5	955 572 683 00	Hot air duct	lhd	1	PR:D5V,D5Z, L0L
		Discontinued part			
(5)	955 572 683 01	Hot air duct	rhd	1	PR:D5V,D5Z, L0R
		heat exchanger			
		Discontinued part			
6	955 572 781 01	Grommet		1	PR:D5X
(6)	955 572 781 00	Grommet		1	PR:D5V,D5Z
7	955 572 055 00	Clip		X	
(7)	955 572 145 00	Retaining clip	rhd	1	PR:D5V,D5Z, L0R
		Hot air duct			
8	955 572 758 00	Sealing strip	lhd	1	PR:D5V,D5Z, L0L
		Wheel housing			
9	N 104 514 04	Hexagon socket flat head bolt M 6 X 16		2	
10	955 572 784 05	Heating hose		1	PR:D5V,D5Z
		Pump			
11	955 572 994 00	Heating hose		1	
		heat exchanger			
12	955 572 926 00	Hot air duct		1	PR:D5V,D5Z
		heat exchanger			
		Discontinued part			
13	955 572 784 00	Heating hose		1	
14	955 572 698 00	heater pipe		1	PR:D5V,D5Z
		Engine			
		Discontinued part			
14	955 572 698 02	heater pipe		1	PR:D5V,D5Z
		Engine			
15	955 572 055 01	Clip		X	
16	955 572 589 00	Heating hose		1	
17	955 572 925 00	Hot air duct		1	PR:D5V,D5Z
		Pump			
		Discontinued part			
18	955 572 823 01	Bracket		1	
		heater pipe			
19	955 572 055 01	Clip		X	
20	N 106 209 01	Socket head bolt with hexagon socket head		X	

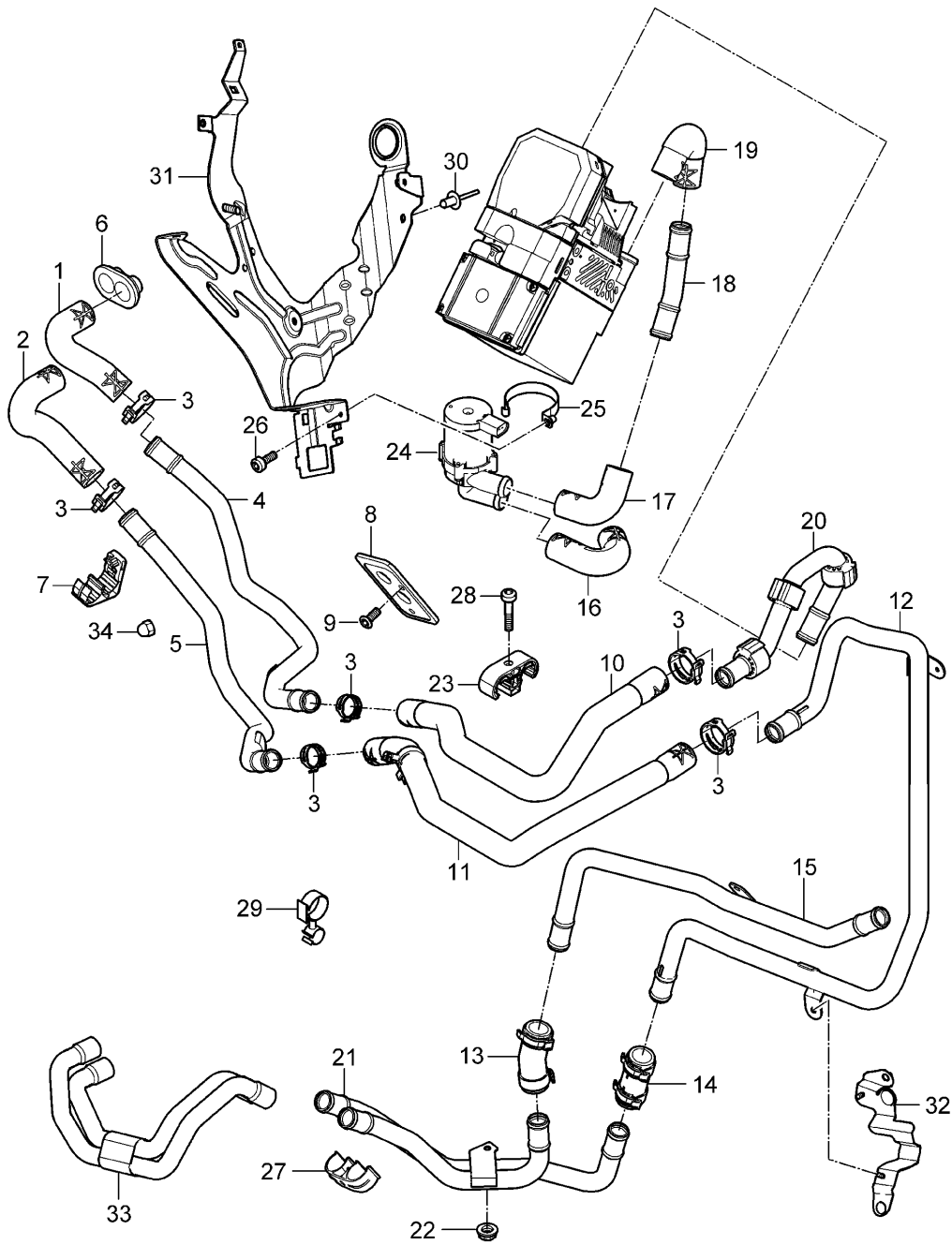
Model: 9PA108

Model life 2007>>2010

Pos	Part Number	Description	Remark	Qty	Model
21	955 572 791 05	M6 X 30 Heating hose		1	PR:D5V,D5Z
		Coolant pump			
22	958 572 150 09	Coolant pump		1	
23	N 909 423 01	Clamp 48 X 15		1	
24	N 015 082 10	Hexagon collar nut M 6		1	
25	955 572 545 00	Bracket Coolant pump		1	
		Discontinued part			
25	955 572 545 01	Bracket Coolant pump		1	
26	955 572 567 00	Rubber buffer		1	
27	N 902 631 04	riveted cap nut M6		X	
28		Water hose Engine		1	
		see illustration:	105-030		

Model: 9PA108

Model life 2007>>2010



Model: 9PA108

Model life 2007>>2010

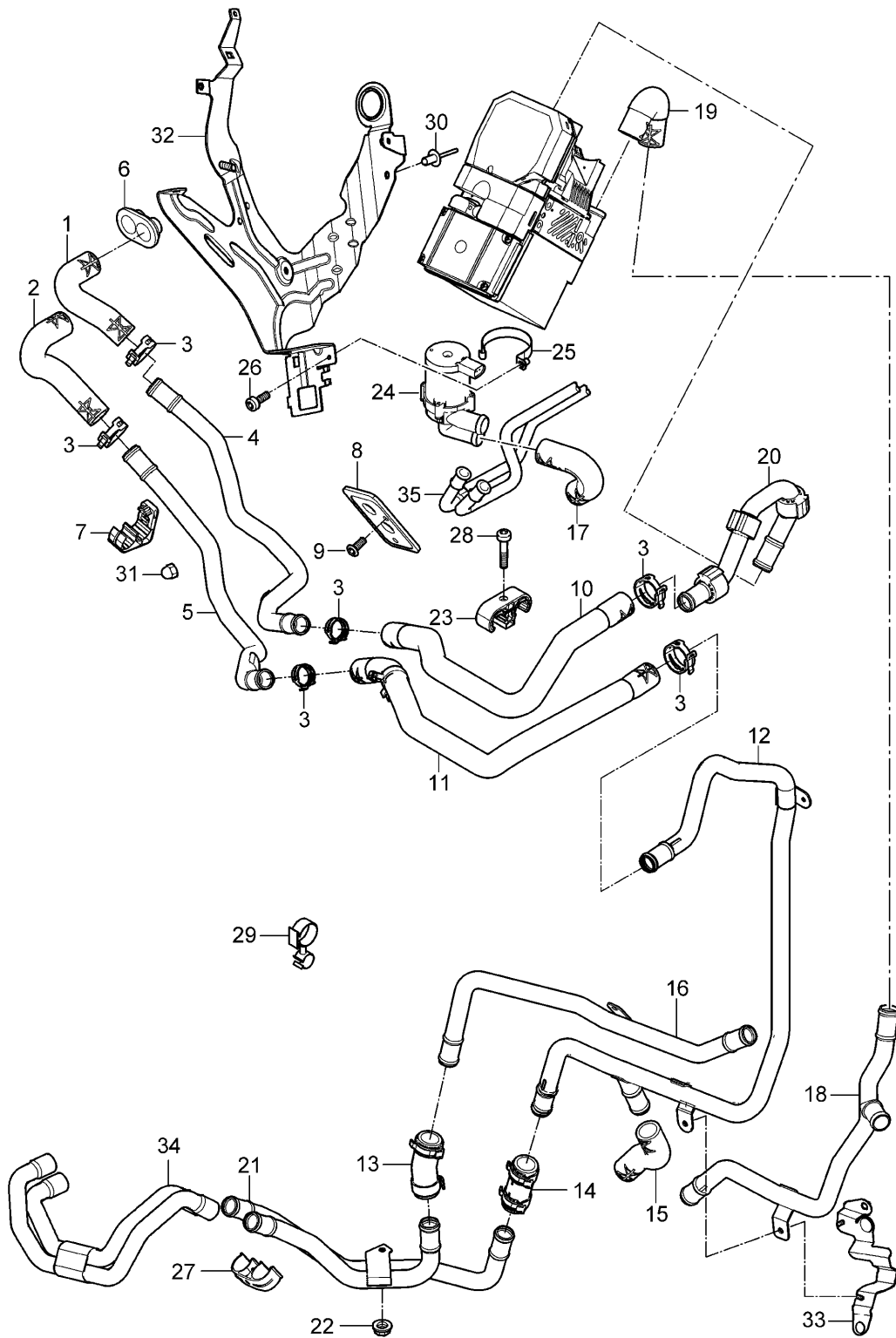
Pos	Part Number	Description	Remark	Qty	Model
		heater Feed line return line Diesel			PR:9M5,-9AH
1	955 572 581 00	Heating hose heat exchanger Input		1	
2	955 572 983 00	Heating hose heat exchanger Output		1	
3	N 906 870 01	Spring band clamp B 27 X 12		X	
4	955 572 682 00	Hot air duct heat exchanger Input	lhd	1	PR:L0L
(4)	955 572 682 01	Hot air duct heat exchanger Input	rhd	1	PR:L0R
5	955 572 683 00	Hot air duct Output	lhd	1	PR:L0L
(5)	955 572 683 01	Hot air duct heat exchanger Output	rhd	1	PR:L0R
6	955 572 781 00	Grommet		1	
7	955 572 145 00	Retaining clip Hot air duct	rhd	1	PR:L0R
8	955 572 758 00	Sealing strip Wheel housing	lhd	1	PR:L0L
9	N 104 514 04	Hexagon socket flat head bolt M 6 X 16		2	
10	955 572 159 86	Heating hose heat exchanger Input		1	
11	955 572 191 96	Heating hose heat exchanger Output		1	
12	955 572 926 10	Hot air duct heat exchanger Output		1	
13	955 572 784 00	Discontinued part Heating hose		1	
14	955 572 589 00	Heating hose		1	
15	955 572 925 01	Hot air duct return line Water pump housing Discontinued part		1	
16	955 572 587 02	Heating hose Water pump housing		1	
17	955 572 791 05	Heating hose Auxiliary heater		1	
18	955 572 857 00	Hot air duct Auxiliary heater Discontinued part		1	
19	955 572 588 02	Heating hose Auxiliary heater		1	
20	955 572 888 00	Hot air duct for heat exchanger Discontinued part		1	
21	955 572 698 00	heater pipe Water pump housing Discontinued part		1	

Model: 9PA108 Model life 2007>>2010

Pos	Part Number	Description	Remark	Qty	Model
21	955 572 698 02	heater pipe Water pump housing		1	
22	N 015 082 10	Hexagon collar nut M 6		1	
23	955 572 055 03	Clip		1	
24	958 572 150 09	Coolant pump		1	
25	955 572 703 00	Clamp		1	
26	N 106 209 01	Socket head bolt with hexagon socket head M 4GFX16		1	
27	955 572 398 00	Clip		X	
28	N 106 209 01	Socket head bolt with hexagon socket head M6 X 30		X	
29	N 104 227 01	holder for vacuum hose Fuel line Wheel housing Water hose		1	
30	N 902 876 01	Pop rivet		1	
31		Bracket heater unit		1	
32		see illustration: Bracket Exhaust pipe	813-085	1	
33		see illustration: Water hose Engine	813-085	1	
34	N 904 502 01	see illustration: Protective cap	105-030 rhd	1	PR:L0R

Model: 9PA108

Model life 2007>>2010



Model: 9PA108 Model life 2007>>2010

Pos	Part Number	Description	Remark	Qty	Model
		heater Feed line return line Diesel			PR:9M5,9AH
1	955 572 581 00	Heating hose heat exchanger Input		1	
2	955 572 983 00	Heating hose heat exchanger Output	lhd	1	PR:L0L
(2)	955 572 581 01	Heating hose heat exchanger Output	rhd	1	PR:L0R
3	N 906 870 01	Spring band clamp B 27 X 12		X	
4	955 572 682 00	Hot air duct heat exchanger Input	lhd	1	PR:L0L
(4)	955 572 682 01	Hot air duct heat exchanger Input	rhd	1	PR:L0R
5	955 572 683 00	Hot air duct heat exchanger Output	lhd	1	PR:L0L
(5)	955 572 683 01	Hot air duct heat exchanger Output	rhd	1	PR:L0R
6	955 572 781 00	Grommet		1	
7	955 572 145 00	Retaining clip Hot air duct	rhd	1	PR:L0R
8	955 572 758 00	Sealing strip Wheel housing	lhd	1	PR:L0L
9	N 104 514 04	Hexagon socket flat head bolt M 6 X 16		2	
10	955 572 159 86	Heating hose heat exchanger Input		1	
11	955 572 191 96	Heating hose heat exchanger Output		1	
12	955 572 926 20	Hot air duct heat exchanger Output		1	
13	955 572 784 00	Discontinued part Heating hose		1	
14	955 572 589 00	Heating hose		1	
15	955 572 793 00	Heating hose		1	
16	955 572 925 01	Hot air duct return line Water pump housing Discontinued part		1	
17	955 572 587 02	Heating hose Water pump housing		1	
18	955 572 912 00	Hot air duct Pump To Auxiliary heater Discontinued part	rear	1	
19	955 572 588 02	Heating hose Auxiliary heater		1	
20	955 572 888 00	Hot air duct for		1	

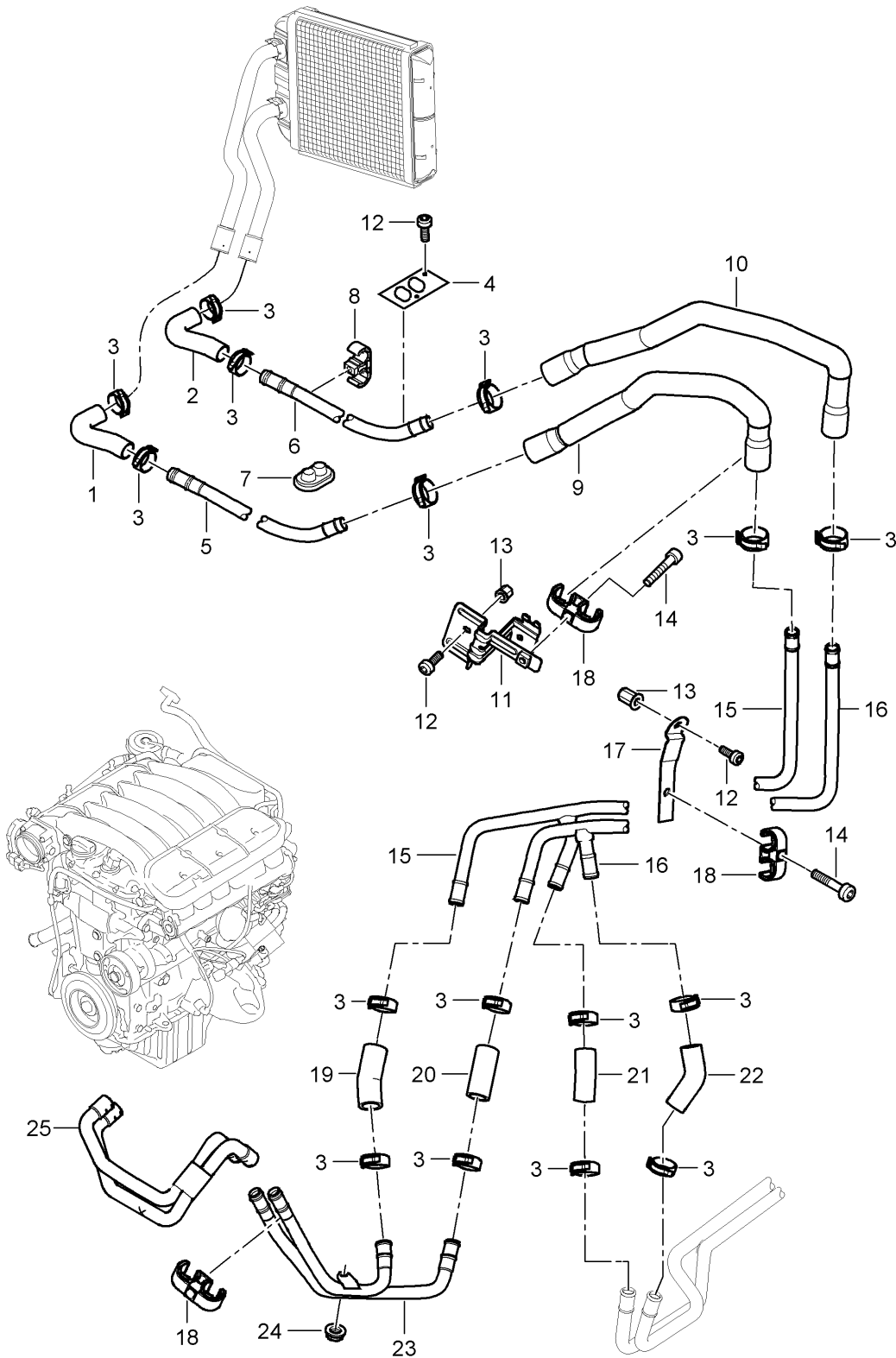
Model: 9PA108

Model life 2007>>2010

Pos	Part Number	Description	Remark	Qty	Model
21	955 572 698 00	heat exchanger Discontinued part heater pipe Water pump housing		1	
21	955 572 698 02	Discontinued part heater pipe Water pump housing		1	
22	N 015 082 10	Hexagon collar nut M 6		1	
23	955 572 055 03	Clip		1	
24	958 572 150 09	Coolant pump		1	
25	955 572 703 00	Clamp		1	
26	N 106 209 01	Socket head bolt with hexagon socket head M 4GFX16		1	
27	955 572 398 00	Clip		X	
28	N 106 209 01	Socket head bolt with hexagon socket head M6 X 30		X	
29	N 104 227 01	holder for vacuum hose Fuel line Wheel housing Water hose		1	
30	N 902 876 01	Pop rivet		1	
31	N 904 502 01	Protective cap	rhd	1	PR:L0R
32		Bracket heater unit		1	
33		Bracket Exhaust pipe see illustration:	813-085	1	
34		Water hose Engine see illustration:	813-085	1	
35		Hot air duct Auxiliary air conditioner see illustration:	105-030 rear 813-025	1	

Model: 9PA108

Model life 2007>>2010

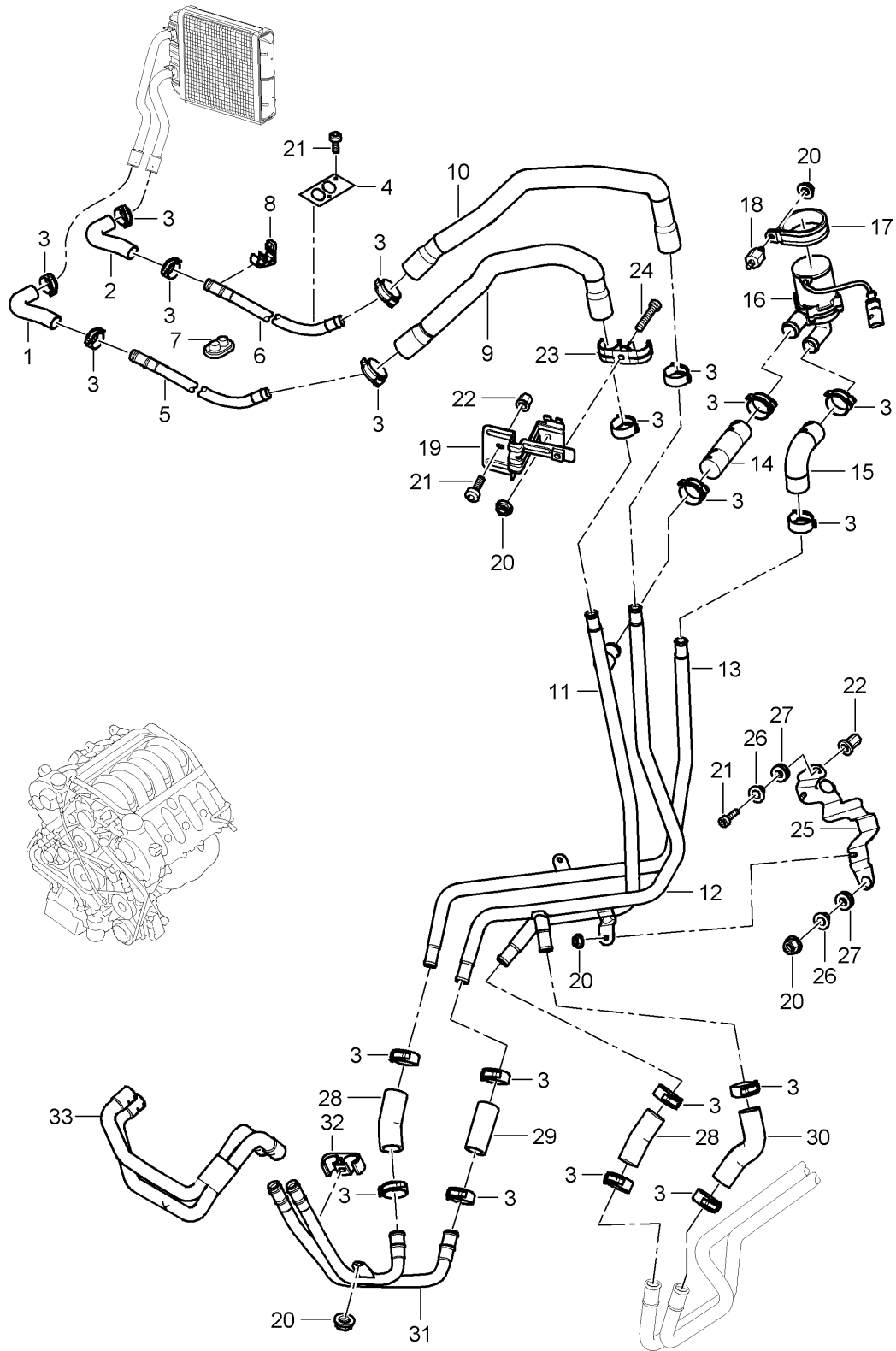


Model: 9PA108 Model life 2007>>2010

Pos	Part Number	Description	Remark	Qty	Model
		heater with: Auxiliary air conditioner Feed line return line			PR:D5X,9AH
1	955 572 982 00	Heating hose	lhd	1	PR:L0L
(1)	955 572 581 01	heat exchanger Heating hose heat exchanger	rhhd	1	PR:L0R
2	955 572 981 00	Heating hose heat exchanger	lhd	1	PR:L0L
(2)	955 572 581 00	Heating hose heat exchanger	rhhd	1	PR:L0R
3	N 906 870 01	Spring band clamp B 27 X 12		X	
4	955 572 758 00	Sealing strip		1	
5	955 572 682 00	Hot air duct	lhd	1	PR:L0L
(5)	955 572 682 01	Hot air duct	rhhd	1	PR:L0R
6	955 572 683 00	Hot air duct	lhd	1	PR:L0L
(6)	955 572 683 01	Hot air duct	rhhd	1	PR:L0R
7	955 572 781 01	Grommet		1	
8	955 572 145 00	Retaining clip	rhhd	2	PR:L0R
9	955 572 374 00	Heating hose		1	
10	955 572 994 00	Heating hose		1	
11	955 572 545 00	Bracket		1	
12	N 104 514 04	Hexagon socket flat head bolt M6 X 16		X	
13	N 902 631 01	rivetted cap nut M6		X	
14	N 106 209 01	Socket head bolt with hexagon socket head M6 X 30		X	
15	955 572 925 05	Hot air duct Discontinued part		1	
16	955 572 926 02	Hot air duct Discontinued part		1	
17	955 572 823 01	Bracket Hot air duct		1	
18	955 572 055 01	Clip		1	
19	955 572 589 00	Heating hose		1	
20	955 572 784 00	Heating hose		1	
21	955 572 583 00	Heating hose		1	
22	955 572 584 00	Heating hose		1	
23	955 572 698 00	heater pipe Engine Discontinued part		1	
23	955 572 698 02	heater pipe Engine		1	
(24)	N 015 082 9	Hexagon collar nut M 6		X	
25		Water hose Engine see illustration:	105-035	1	

Model: 9PA108

Model life 2007>>2010



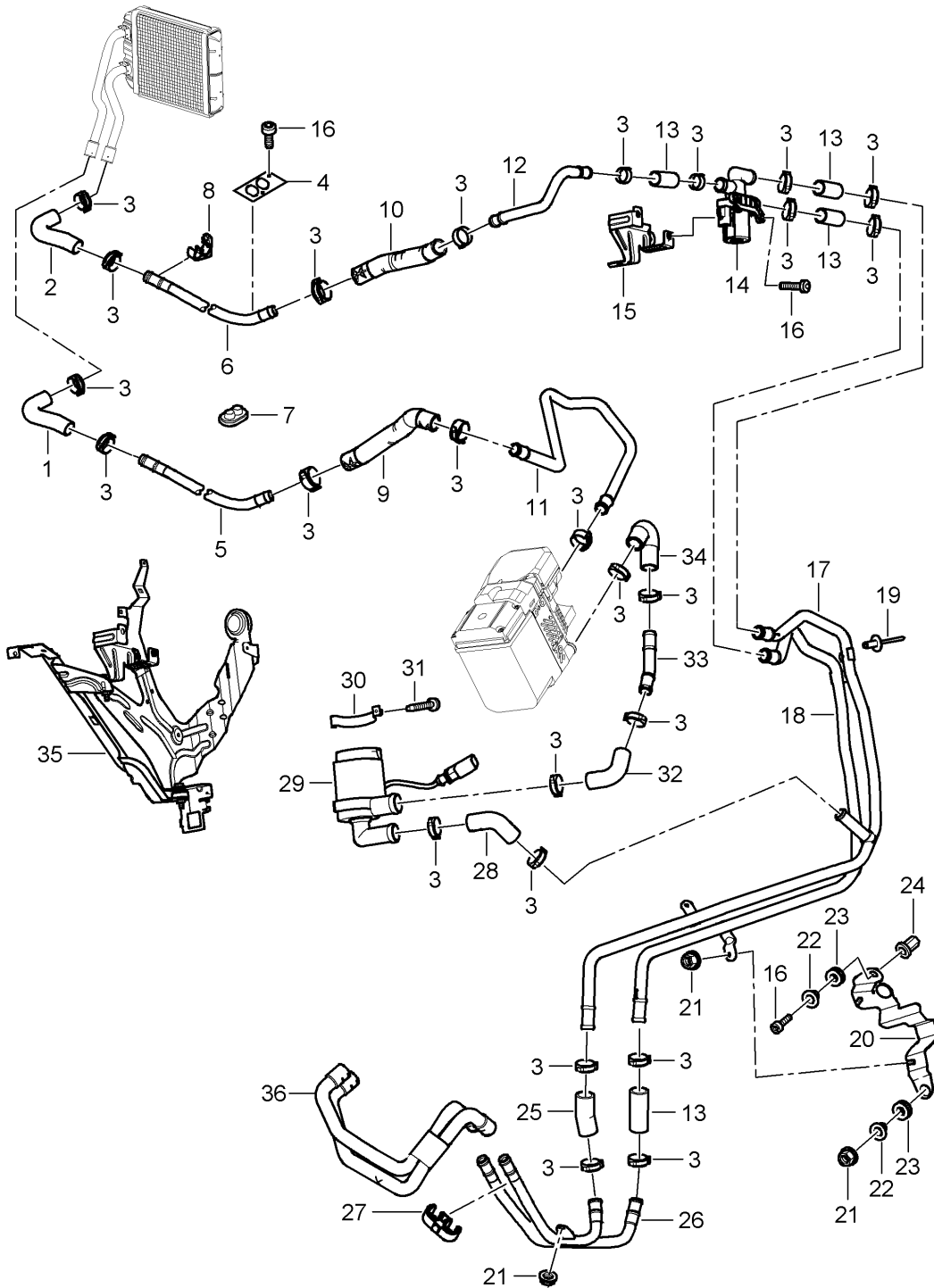
Model: 9PA108

Model life 2007>>2010

Pos	Part Number	Description	Remark	Qty	Model
		heater with: Auxiliary air conditioner Feed line return line			PR:D5V,D5Z, 9AH
1	955 572 581 00	Heating hose	lhd	1	PR:L0L
(1)	955 572 581 01	Heating hose heat exchanger	rhd	1	PR:L0R
2	955 572 983 00	Heating hose	lhd	1	PR:L0L
(2)	955 572 581 00	Heating hose heat exchanger	rhd	1	PR:L0R
3	N 906 870 01	Spring band clamp B 27 X 12		X	
4	955 572 758 00	Sealing strip		1	
5	955 572 682 00	Hot air duct	lhd	1	PR:L0L
(5)	955 572 682 01	Hot air duct Supply	rhd	1	PR:L0R
6	955 572 683 00	Hot air duct	lhd	1	PR:L0L
(6)	955 572 683 01	Hot air duct Return line	rhd	1	PR:L0R
7	955 572 781 00	Grommet		1	
8	955 572 145 00	Retaining clip	rhd	1	PR:L0R
9	955 572 374 00	Heating hose		1	
10	955 572 994 00	Heating hose		1	
11	955 572 858 00	Hot air duct Discontinued part		1	
12	955 572 926 05	Hot air duct Discontinued part		1	
13	955 572 925 07	Hot air duct Discontinued part		1	
14	955 572 373 00	Heating hose		1	
15	955 572 791 05	Heating hose		1	
16	955 572 150 06	Coolant pump		1	
17	N 909 423 01	Clamp		1	
18	955 572 567 00	Rubber buffer		1	
19	955 572 545 01	Bracket Coolant pump		1	
20	N 015 082 9	Hexagon collar nut M6		X	
21	N 104 514 04	Hexagon socket flat head bolt M6 X 16		X	
22	N 902 631 04	rivetted cap nut M6		X	
23	955 572 055 01	Clip		X	
24	N 106 209 01	Socket head bolt with hexagon socket head M6 X 30		X	
25	955 572 950 01	Retainer for exhaust pipe Hot air duct		1	
26	955 572 121 00	bush		2	
27	955 572 095 00	Rubber grommet		2	
28	955 572 589 00	Heating hose		2	
29	955 572 784 00	Heating hose		1	
30	955 572 793 00	Heating hose		1	
31	955 572 698 01	heater pipe		1	
32	955 572 055 03	Clip		1	
33		Water hose Engine see illustration:	105-030	1	

Model: 9PA108

Model life 2007>>2010



Model: 9PA108

Model life 2007>>2010

Pos	Part Number	Description	Remark	Qty	Model
		heater			PR:7VE,7VL
		with:			
		Auxiliary heater			
		Feed line			
		return line			
1	955 572 581 00	Heating hose	lhd	1	PR:L0L
(1)	955 572 581 01	Heating hose	rhd	1	PR:L0R
		heat exchanger			
2	955 572 983 00	Heating hose	lhd	1	PR:L0L
(2)	955 572 581 00	Heating hose	rhd	1	PR:L0R
		heat exchanger			
3	N 906 870 01	Spring band clamp		X	
		B 27 X 12			
4	955 572 758 00	Sealing strip		1	
5	955 572 682 00	Hot air duct	lhd	1	PR:L0L
(5)	955 572 682 01	Hot air duct	rhd	1	PR:L0R
6	955 572 683 00	Hot air duct	lhd	1	PR:L0L
(6)	955 572 683 01	Hot air duct	rhd	1	PR:L0R
7	955 572 781 00	Grommet		1	
(8)	955 572 055 03	Clip	rhd	1	PR:D5X,L0R
8	955 572 145 00	Retaining clip	rhd	1	PR:D5V,D5Z, L0R
9	955 572 785 01	Heating hose		1	
10	955 572 786 02	Heating hose		1	
11	955 572 690 01	Hot air duct		1	
		Discontinued part			
12	955 572 690 02	Hot air duct		1	
		Discontinued part			
13	955 572 784 00	Heating hose		4	
14	955 572 824 03	Valve		1	
15	955 572 826 01	Bracket		1	
		Solenoid valve			
16	N 104 514 04	Hexagon socket flat		X	
		head bolt			
		M6 X 16			
17	955 572 925 06	Hot air duct		1	
		Discontinued part			
18	955 572 926 03	Hot air duct		1	
		Discontinued part			
19	N 902 876 01	Pop rivet		2	
		A 4,8 X 10			
20	955 572 950 01	Retainer for exhaust pipe		1	
		Hot air duct			
21	N 015 082 9	Hexagon collar nut		X	
		M6			
22	955 572 121 00	bush		2	
23	955 572 095 00	Rubber grommet		2	
24	N 902 631 01	rivetted cap nut		X	
		M6			
25	955 572 589 00	Heating hose		1	
26	955 572 698 01	heater pipe		1	
27	955 572 055 03	Clip		X	
28	955 572 585 03	Heating hose		1	
29	958 572 150 09	Coolant pump		1	
30	955 572 703 00	Clamp		1	
31	N 909 117 01	Oval hexagon socket head bolt		1	
32	955 572 791 05	Heating hose		1	
33	955 572 857 00	Hot air duct		1	
		Discontinued part			
34	955 572 588 02	Heating hose		1	
35		Bracket		1	
		see illustration:	813-085		
36		Water hose		1	

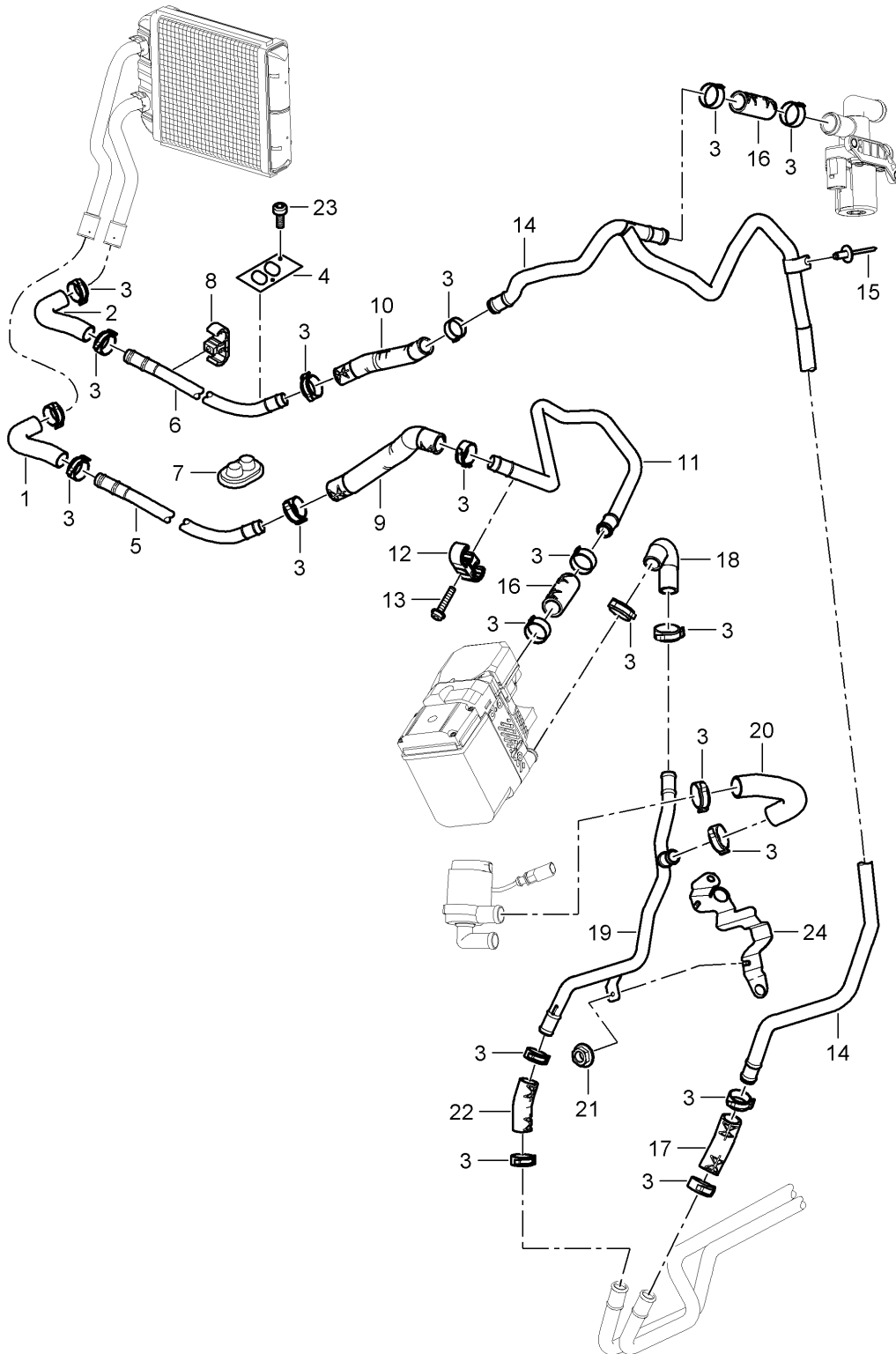
Model: 9PA108

Model life 2007>>2010

Pos	Part Number	Description	Remark	Qty	Model
		Engine see illustration:	105-030		

Model: 9PA108

Model life 2007>>2010

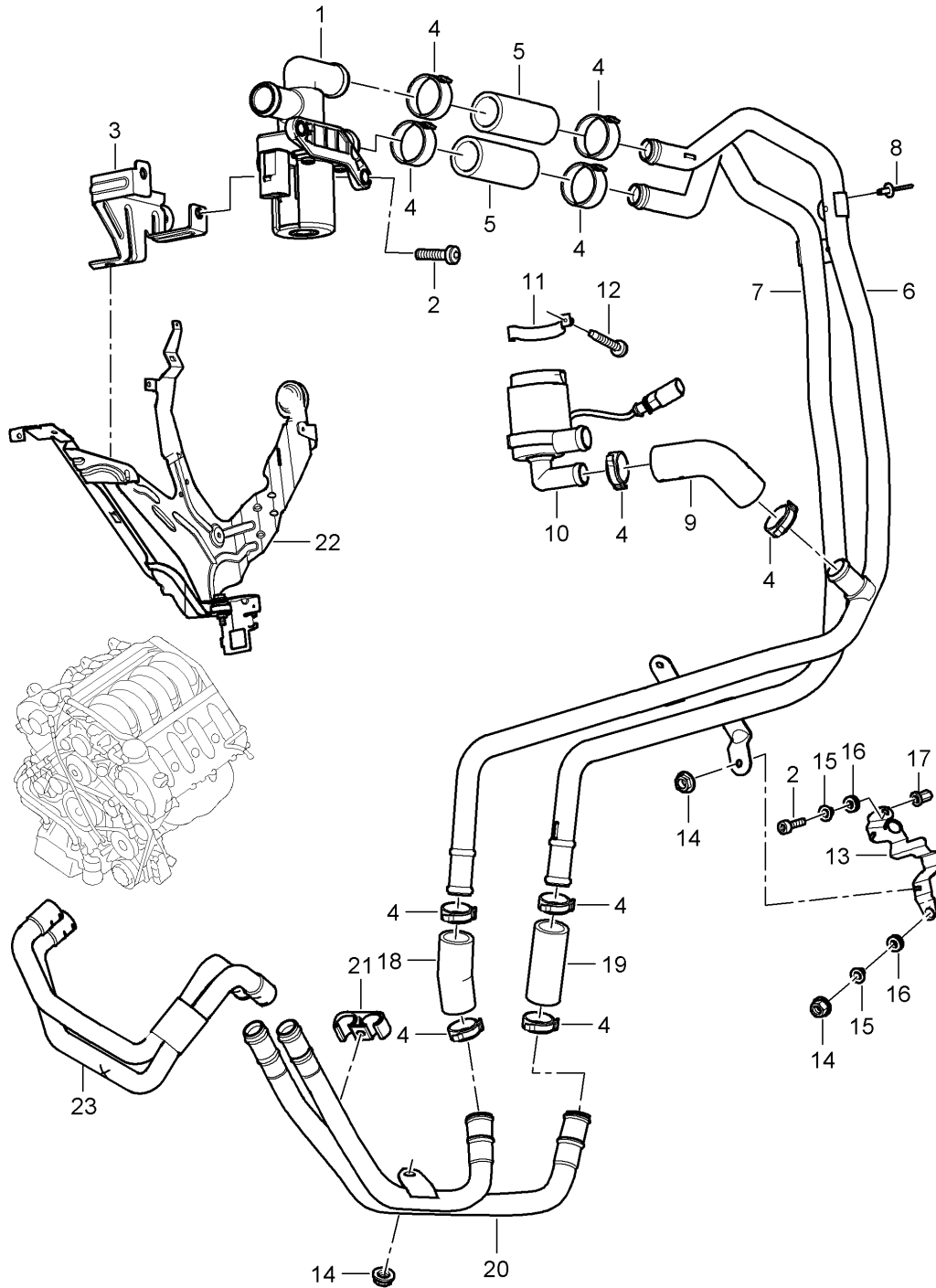


Model: 9PA108 Model life 2007>>2010

Pos	Part Number	Description	Remark	Qty	Model
		heater with: Auxiliary air conditioner and Auxiliary heater Feed line return line heat exchanger Until Hot air duct	rear		PR:7VE,7VL, 9AH
1	955 572 581 00	Heating hose	lhd	1	PR:L0L
(1)	955 572 581 01	Heating hose heat exchanger	rhd	1	PR:L0R
2	955 572 983 00	Heating hose	lhd	1	PR:L0L
(2)	955 572 581 00	Heating hose heat exchanger	rhd	1	PR:L0R
3	N 906 870 01	Spring band clamp B 27 X 12		X	
4	955 572 758 00	Sealing strip		1	
5	955 572 682 00	Hot air duct	lhd	1	PR:L0L
(5)	955 572 682 01	Hot air duct	rhd	1	PR:L0R
6	955 572 683 00	Hot air duct	lhd	1	PR:L0L
(6)	955 572 683 01	Hot air duct	rhd	1	PR:L0R
7	955 572 781 00	Grommet		1	
8	955 572 055 03	Clip	rhd	1	PR:D5X,L0R
(8)	955 572 145 00	Retaining clip	rhd	1	PR:D5V,D5Z, L0R
9	955 572 785 01	Heating hose		1	
10	955 572 786 02	Heating hose		1	
11	955 572 690 01	Hot air duct Discontinued part		1	
12	955 572 055 01	Clip		X	
13	N 106 209 01	Socket head bolt with hexagon socket head M6 X 30		X	
14	955 572 927 01	Hot air duct		1	
15	N 902 876 01	Pop rivet A4,8 X 10		2	
16	955 572 784 00	Heating hose		2	
17	955 572 371 00	Heating hose		1	
18	955 572 588 02	Heating hose		1	
19	955 572 912 00	Hot air duct Discontinued part		1	
20	955 572 587 02	Heating hose		1	
21	N 015 082 9	Hexagon collar nut M6		X	
22	955 572 589 00	Heating hose		1	
23	N 104 514 04	Hexagon socket flat head bolt M6 X 16		X	
24	955 572 950 00	Bracket		X	

Model: 9PA108

Model life 2007>>2010

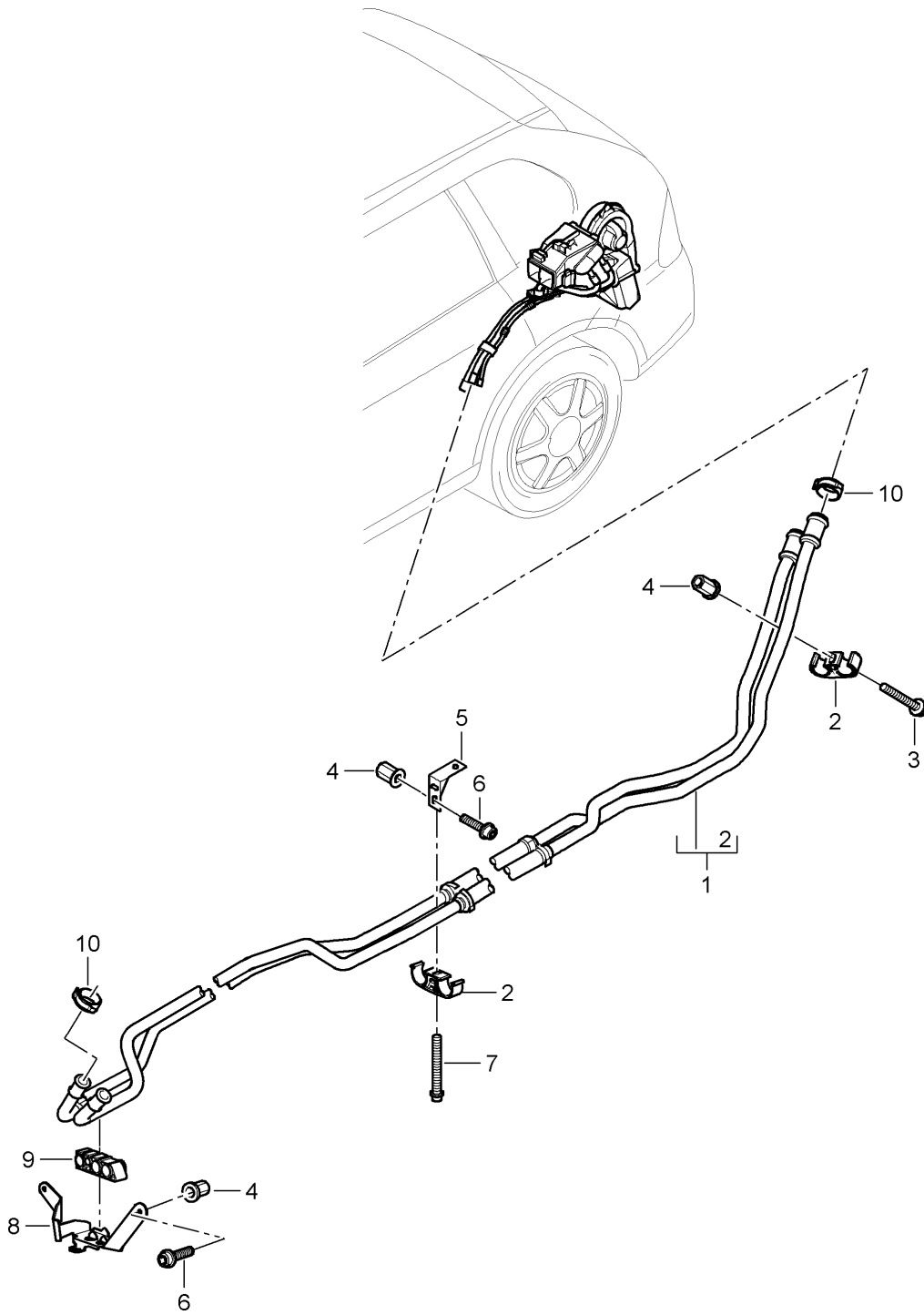


Model: 9PA108 Model life 2007>>2010

Pos	Part Number	Description	Remark	Qty	Model
		heater			PR: 7VE, 7VL, 9AH
		with: Auxiliary air conditioner and Auxiliary heater Feed line return line Valve Until Engine Valve		1	
1	955 572 824 03	Valve		1	
2	N 104 514 04	Hexagon socket flat head bolt M6 X 16		X	
3	955 572 826 01	Bracket		1	
4	N 906 870 01	Spring band clamp B 27 X 12		X	
5	955 572 784 00	Heating hose		2	
6	955 572 925 06	Hot air duct		1	
		Discontinued part			
7	955 572 926 03	Hot air duct		1	
		Discontinued part			
8	N 902 876 01	Pop rivet A 4,8 X 10		2	
9	955 572 585 03	Heating hose		1	
10	955 572 150 05	Coolant pump		1	
11	955 572 703 00	Clamp		1	
12	N 909 117 01	Oval hexagon socket head bolt M4 X 16		1	
13	955 572 950 01	Retainer for exhaust pipe		1	
14	N 015 082 9	Hexagon collar nut M6		X	
15	955 572 121 00	bush		2	
16	955 572 095 00	Rubber grommet		2	
17	N 902 631 04	rivetted cap nut M6		X	
18	955 572 589 00	Heating hose		1	
19	955 572 784 00	Heating hose		1	
20	955 572 698 00	heater pipe		1	
		Discontinued part			
20	955 572 698 02	heater pipe		1	
21	955 572 055 03	Clip		X	
22		Bracket		X	
		see illustration:	813-085		
23		Water hose Engine		1	
		see illustration:	105-030		

Model: 9PA108

Model life 2007>>2010



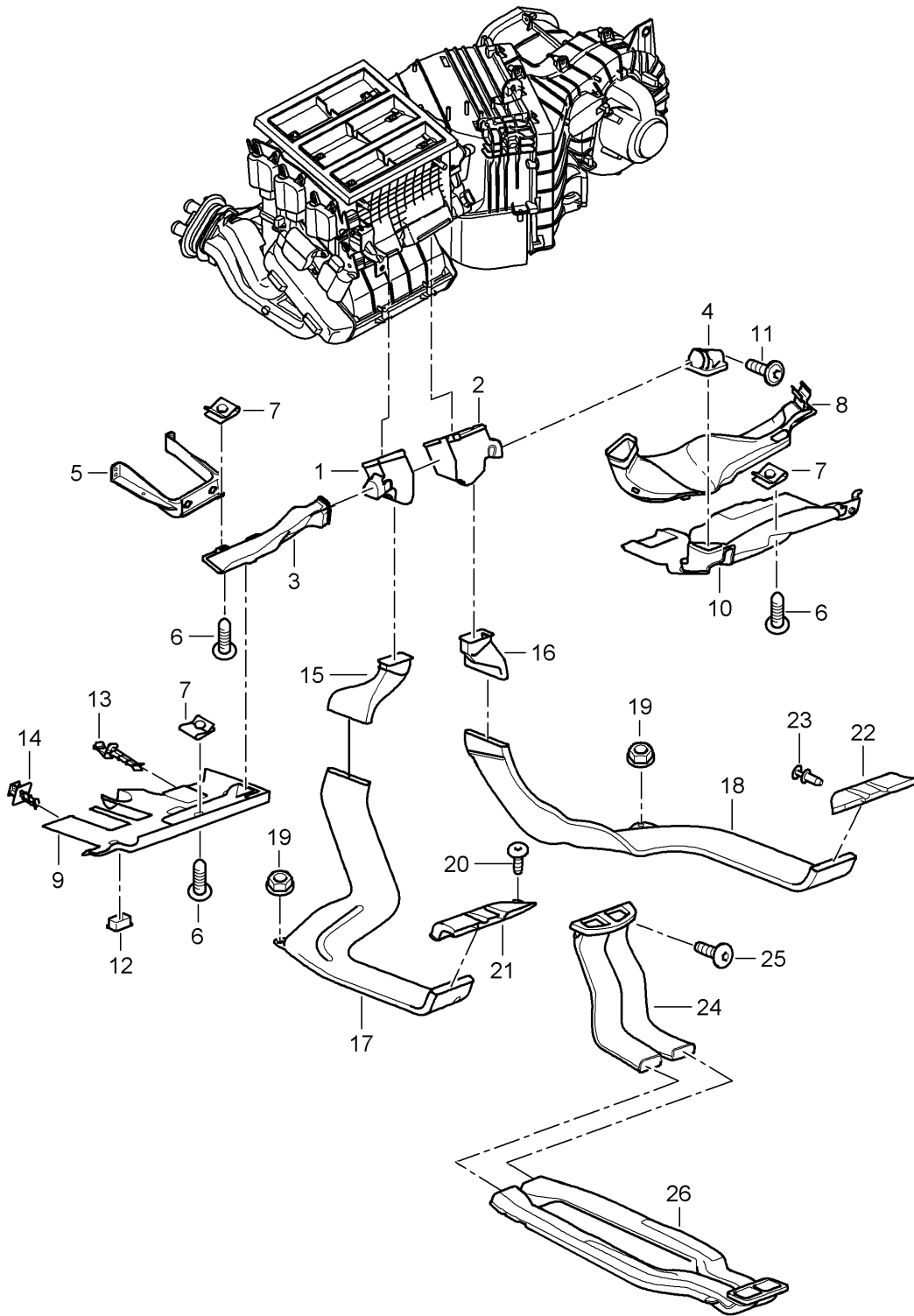
Model: 9PA108

Model life 2007>>2010

Pos	Part Number	Description	Remark	Qty	Model
		Hot air duct Auxiliary air conditioner	rear		PR:9AH
1	955 572 885 00	Hot air duct		1	
2	955 572 787 00	Clip		2	
3	N 105 084 02	Hexagon socket head bolt M6 X 35		1	
4	N 902 631 04	riveted cap nut M6		X	
5	955 572 495 00	Line holder		2	
6	N 104 514 04	Hexagon socket flat head bolt M6 X 16		X	
7	N 104 677 02	Oval hexagon socket head bolt M6 X 70		2	
8	955 573 605 00	Bracket		1	
9	955 572 757 05	Distance piece		1	
10	N 906 870 01	Spring band clamp		X	

Model: 9PA108

Model life 2007>>2010



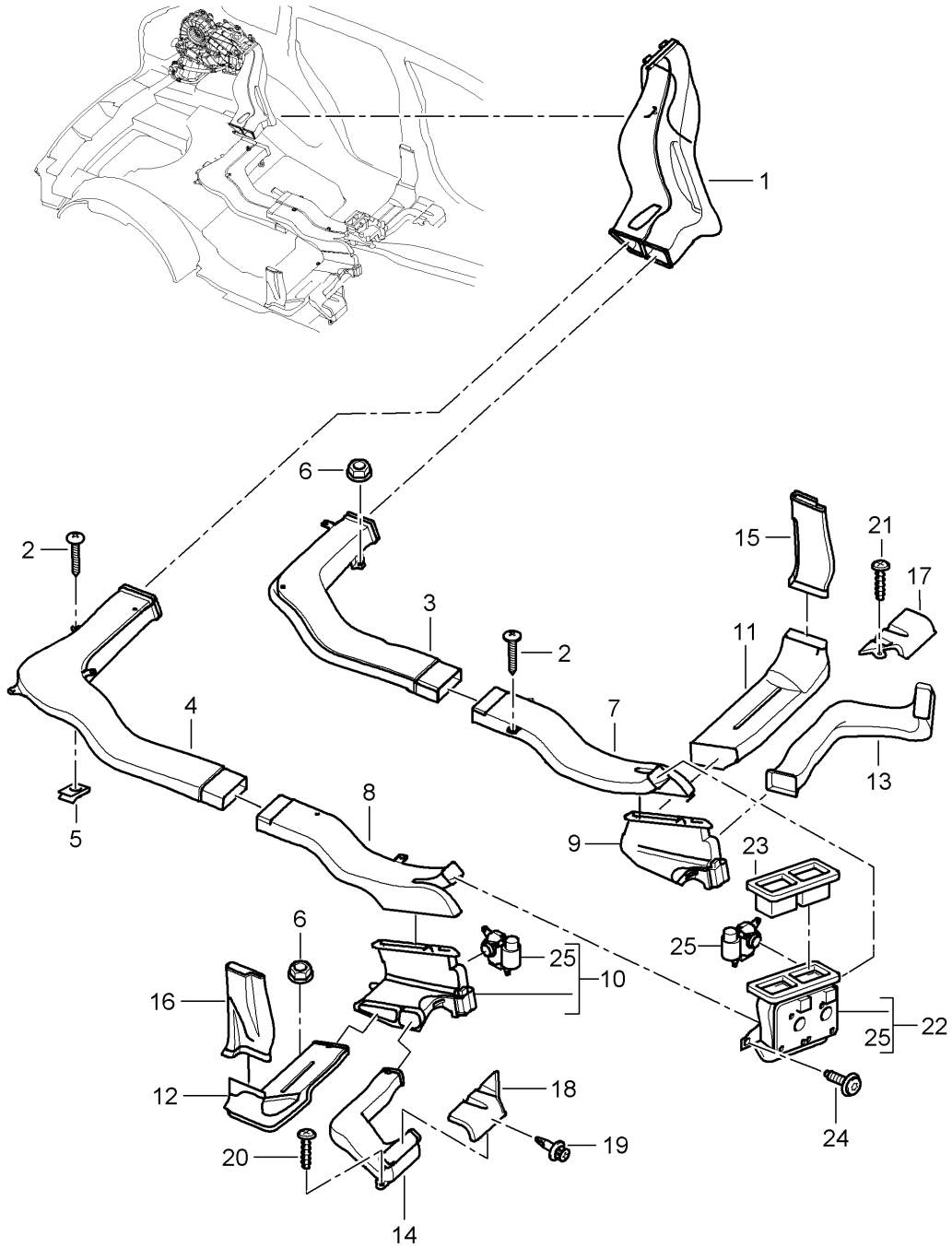
Model: 9PA108

Model life 2007>>2010

Pos	Part Number	Description	Remark	Qty	Model
1	955 573 383 00	Air distributor housing	left lhd	1	PR:9AB,L0L
(1)	955 573 385 00	housing	left lhd	1	PR:9AD,L0L
(1)	955 573 387 00	housing	left lhd	1	PR:9AH,L0L
(1)	955 573 303 00	Air distribution housing	left rhd	1	PR:9AB,L0R
(1)	955 573 381 00	housing	left rhd	1	PR:9AD,L0R
(1)	955 573 301 00	Air distribution housing	left rhd	1	PR:9AH,L0R
2	955 573 384 00	housing	right lhd	1	PR:9AB,L0L
(2)	955 573 386 00	housing	right lhd	1	PR:9AD,L0L
(2)	955 573 388 00	housing	right lhd	1	PR:9AH,L0L
(2)	955 573 303 00	Air distribution housing	left rhd	1	PR:9AB,L0R
(2)	955 573 381 00	housing	left rhd	1	PR:9AD,L0R
(2)	955 573 301 00	Air distribution housing	left rhd	1	PR:9AH,L0R
3	955 573 305 02	intermediate plate for air distribution housing	left lhd	1	PR:L0L
(3)	955 573 305 01	intermediate plate for air distribution housing	left rhd	1	PR:L0R
4	955 573 306 02	intermediate plate for air distribution housing	right lhd	1	PR:L0L
(4)	955 573 306 01	intermediate plate for air distribution housing	right rhd	1	PR:L0R
5	955 613 545 02	arm		1	
6	N 906 986 01	Intermediate piece Hexagon socket head panel bolt ST 4,2 X 16		X	
(7)	955 552 137 00	Clip		X	
7	N 906 988 01	Speed nut ST 4,2 X 16		X	
8	955 573 306 11	Air guide	right lhd	1	PR:L0L
9	955 573 308 09	Footwell outlet vent	left lhd	1	PR:L0L
(9)	955 573 308 10	Footwell outlet vent	left rhd	1	PR:L0R
10	955 573 308 03	Footwell outlet vent	right lhd	1	PR:L0L
(10)	955 573 308 01	Footwell outlet vent	right rhd	1	PR:L0R
11	N 908 494 01	panel screw 3,5 X 13 Discontinued part		X	
11	N 908 494 02	panel screw 3,5 X 13		X	
12	955 612 161 00	Cover Support Diagnostic connector		1	
13	955 612 161 00 01C	Satin black			
13	955 573 317 00	Securing bracket		2	
14	955 573 318 00	Securing bracket		2	
15	955 573 309 01	intermediate plate for air distribution housing	left	1	
16	955 573 409 00	intermediate plate for air distribution housing	right	1	
17	955 573 311 00	Air guide	left	1	
18	955 573 310 01	Air guide	right	1	
19	N 907 579 01	Hexagon collar nut		X	
20	N 906 487 02	Oval hexagon socket head bolt		X	
21	955 573 313 01	Footwell outlet vent	left	1	
22	955 573 314 03	Footwell outlet vent	right	1	
23	N 905 584 01	Spreader rivet		1	
24	955 573 315 00	Air guide channel		1	
25	N 104 648 02	Oval hexagon socket head bolt		X	
26	955 573 316 01	Air guide channel		1	PR:9AB,9AD

Model: 9PA108

Model life 2007>>2010



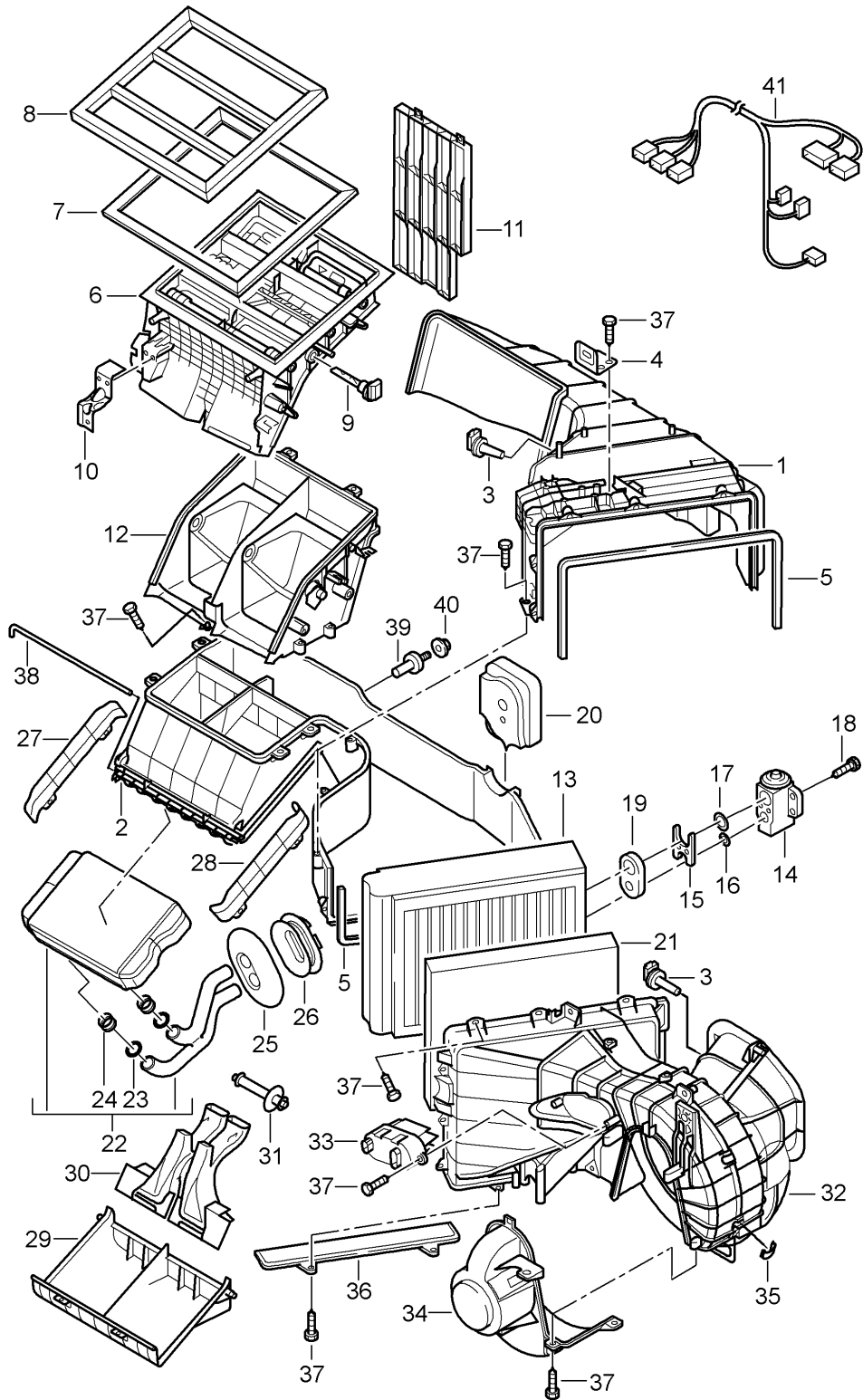
Model: 9PA108

Model life 2007>>2010

Pos	Part Number	Description	Remark	Qty	Model
		Air distributor Auxiliary air conditioner			PR:9AH
1	955 573 333 00	Air guide channel		1	
2	N 013 958 1	Air conditioner oval head panel screw		X	
3	955 573 329 00	Air guide channel	left	1	
4	955 573 330 00	Air guide channel	right	1	
5	N 900 488 02	Speed nut ST 3,5 X 9,55 X 8,25		X	
6	N 907 579 01	Hexagon collar nut T5 22 X 11		X	
7	955 573 327 00	Air guide channel	left	1	
8	955 573 328 00	Air guide channel	right	1	
9	955 573 325 00	Air distribution housing	left	1	
		with:			
10	955 573 326 00	Servomotor Air distribution housing	right	1	
		with:			
11	955 573 321 01	Servomotor Air guide channel	left	1	
12	955 573 322 01	Air guide channel	right	1	
13	955 573 323 00	Air guide channel	left	1	
14	955 573 324 01	Air guide channel	right	1	
15	955 573 319 00	Air guide channel	left	1	
16	955 573 320 00	Air guide channel	right	1	
17	955 573 313 01	Footwell outlet vent	left	1	
18	955 573 314 03	Footwell outlet vent	right	1	
19	N 905 584 01	Spreader rivet B 8,0 X 14,0		1	
20	N 104 648 02	Oval hexagon socket head bolt 4,0 X 12		X	
21	N 906 487 02	Oval hexagon socket head bolt 4,8 X 16		X	
22	955 573 332 03	Distributor housing		1	
		with:			
23	955 573 331 00	Servomotor Adapter		1	
24	N 907 357 01	Distributor housing Hex socket oval head collared		X	
25	955 624 920 00	Distributor housing Servomotor		X	

Model: 9PA108

Model life 2007>>2010



Model: 9PA108 Model life 2007>>2010

Pos	Part Number	Description	Remark	Qty	Model
		Air conditioner	front		
		Individual parts			
1	955 572 300 00	housing	lhd	1	PR:L0L
(1)	955 572 301 00	housing	rhd	1	PR:L0R
2	955 572 302 00	housing	lhd	1	PR:L0L
(2)	955 572 303 00	housing	rhd	1	PR:L0R
3	955 572 304 00	Temperature sensor		1	PR:9AD,9AH
		VALEO			
(3)	955 572 304 10	Temperature sensor		1	PR:9AB,9AD,9AH
		After			
		evaporator			
		HELLA			
4	955 572 305 00	Bracket		1	
5	955 572 306 00	sealing cord		1	
6	955 572 307 01	Air distributor	lhd	1	PR:9AB,L0L
(6)	955 572 307 02	Air distributor	rhd	1	PR:9AB,L0R
(6)	955 572 308 01	Air distributor	lhd	1	PR:9AD,L0L
(6)	955 572 308 02	Air distributor	rhd	1	PR:9AD,L0R
(6)	955 572 309 01	Air distributor	lhd	1	PR:9AH,L0L
(6)	955 572 309 02	Air distributor	rhd	1	PR:9AH,L0R
7	955 572 310 10	Seal		1	
8	955 572 310 01	Seal		1	
9	955 572 311 00	Temperature sensor		2	PR:9AH,9AD
10	955 572 312 00	Bracket		1	
11	955 572 313 00	Air guide	lhd	1	PR:L0L
(11)	955 572 314 00	Air guide	rhd	1	PR:L0R
12	955 572 315 00	Distributor housing		1	PR:9AB
(12)	955 572 316 00	Distributor housing		1	PR:9AD,9AH
13	955 572 317 10	evaporator	lhd	1	PR:L0L
(13)	955 572 318 10	evaporator	rhd	1	PR:L0R
14	955 572 319 02	Expansion valve		1	
15	955 572 064 00	Bracket		1	
16	955 572 324 00	O-ring		1	
		10,8 X 1,82			
17	955 572 325 10	seal ring		1	
		16,7 X 1,82			
18	N 104 763 01	Socket head bolt		X	
		M5 X 40			
19	955 572 347 00	Seal		1	
20	955 572 321 00	Seal	lhd	1	PR:L0L
(20)	955 572 322 00	Seal	rhd	1	PR:L0R
21	955 572 219 10	Dust and pollen filter insert		1	
22	955 572 326 00	heat exchanger	lhd	1	PR:L0L
(22)	955 572 327 00	heat exchanger	rhd	1	PR:L0R
23	N 909 732 01	O-ring		2	
24	955 572 328 00	Clamp spring		2	
25	955 572 349 01	Seal		1	
26	955 572 350 00	Grommet		1	
27	955 572 329 00	Cover	lhd	1	PR:L0L
(27)	955 572 330 00	Cover	rhd	1	PR:L0R
28	955 572 331 00	Cover		1	
29	955 572 332 01	Cover		1	
30	955 572 320 00	Air guide		1	
31	955 572 333 01	drain tube		1	
32	955 572 336 00	housing	lhd	1	PR:9AB,L0L
(32)	955 572 337 00	housing	rhd	1	PR:9AB,L0R
(32)	955 572 338 00	housing	lhd	1	PR:9AD,9AH,L0L
(32)	955 572 339 00	housing	rhd	1	PR:9AD,9AH,L0R
33	955 572 341 01	governor		1	
34	955 572 342 01	Fan	lhd	1	PR:L0L
(34)	955 572 343 01	Fan	rhd	1	PR:L0R

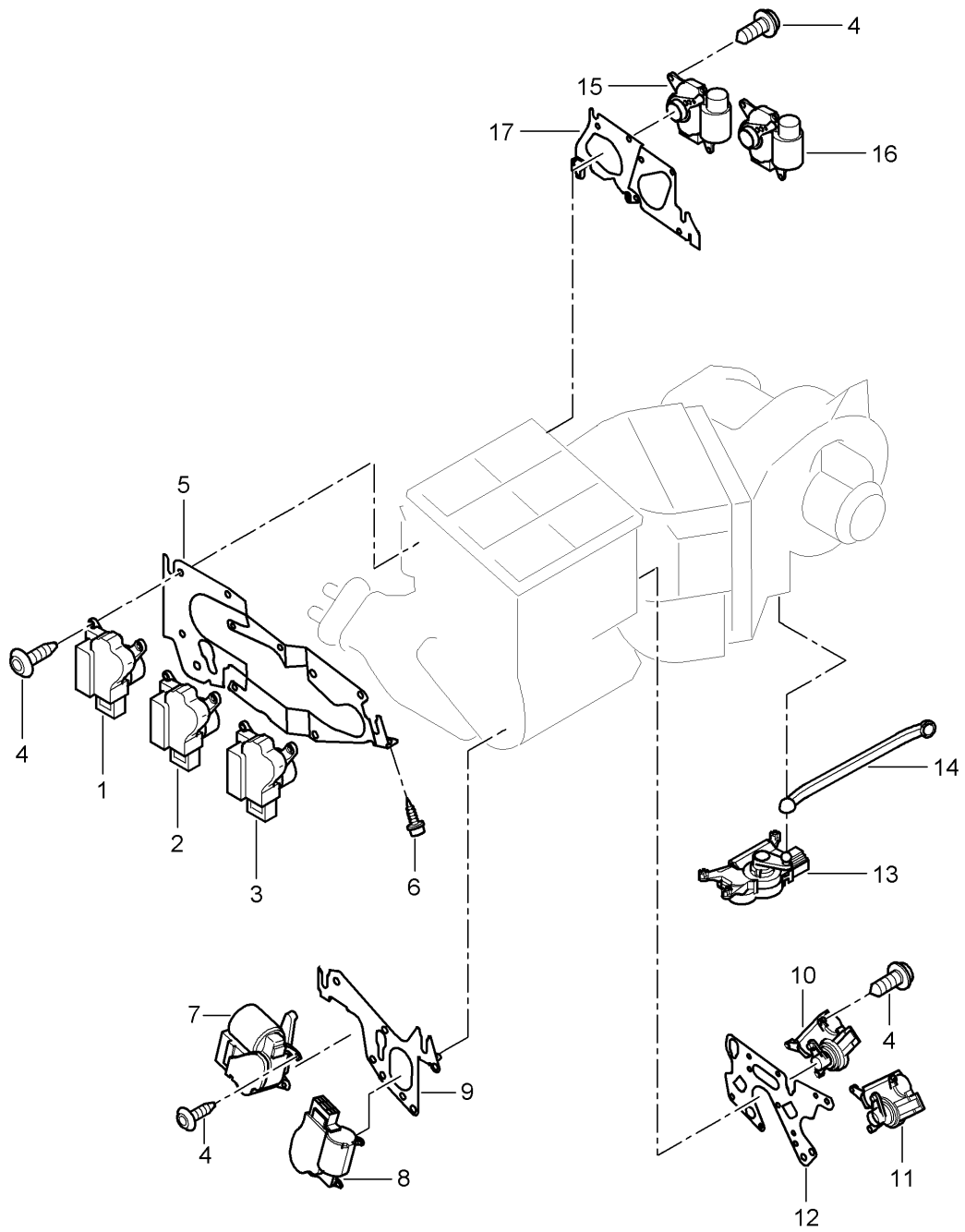
Model: 9PA108

Model life 2007>>2010

Pos	Part Number	Description	Remark	Qty	Model
35	955 572 344 00	Clip		12	
36	955 572 345 00	Cover		1	
37	N 104 241 02	hexagon head panel screw M4 X 16		X	
38	955 572 346 00	guide rod		1	
39	955 572 348 00	Rubber bush		1	
40	N 902 173 03	Hexagon nut		2	
41	955 612 350 01	Wire set	lhd	1	PR:9AD,L0L
(41)	955 612 351 01	Wire set	rhd	1	PR:9AD,L0R
(41)	955 612 352 01	Wire set	lhd	1	PR:9AH,L0L
(41)	955 612 353 01	Wire set	rhd	1	PR:9AH,L0R

Model: 9PA108

Model life 2007>>2010

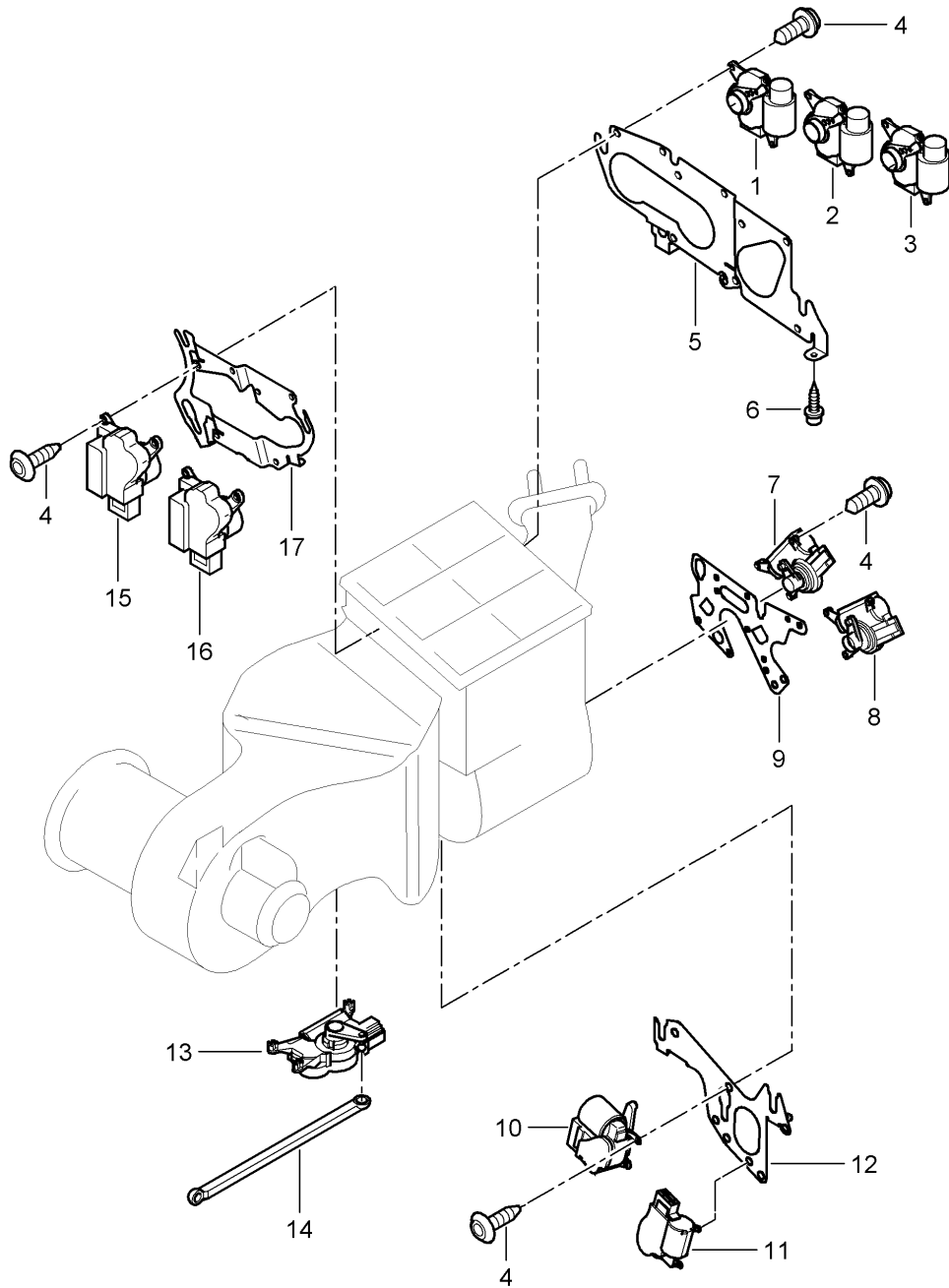


Model: 9PA108 Model life 2007>>2010

Pos	Part Number	Description	Remark	Qty	Model
1	955 624 901 01	Servomotor Air conditioner	front lhd	1	PR:L0L
2	955 624 905 01	Servomotor Defroster flap	side	1	
3	955 624 902 01	Servomotor Air exhaust	left	1	PR:9AD,9AH
4	N 106 216 01	Servomotor Hex socket oval head collared M4 X 12	center	X	
5	955 624 123 00	Retaining plate	left	1	
6	N 104 241 02	hexagon head panel screw M4 X 16	left	X	
7	955 624 907 01	Servomotor Temperature mixing flap	left	1	PR:9AD,9AH
8	955 624 906 01	Servomotor foot well flap	left	1	PR:9AD,9AH
9	955 624 123 02	Retaining plate		1	PR:9AD,9AH
10	955 624 908 01	Servomotor Temperature mixing flap	right	1	PR:9AD,9AH
11	955 624 909 01	Servomotor foot well flap	right	1	PR:9AH
12	955 624 123 04	Retaining plate		1	
13	955 624 910 01	Servomotor		1	PR:9AB
(13)	955 624 915 01	Servomotor Fresh-air intake system		1	PR:9AD,9AH
14	955 572 901 00	connecting rod		1	
15	955 624 913 01	Servomotor Air exhaust	side	1	PR:9AH
16	955 624 912 01	Servomotor Air exhaust	right	1	PR:9AH
17	955 624 123 05	Retaining plate	center	1	PR:9AH
			right		

Model: 9PA108

Model life 2007>>2010

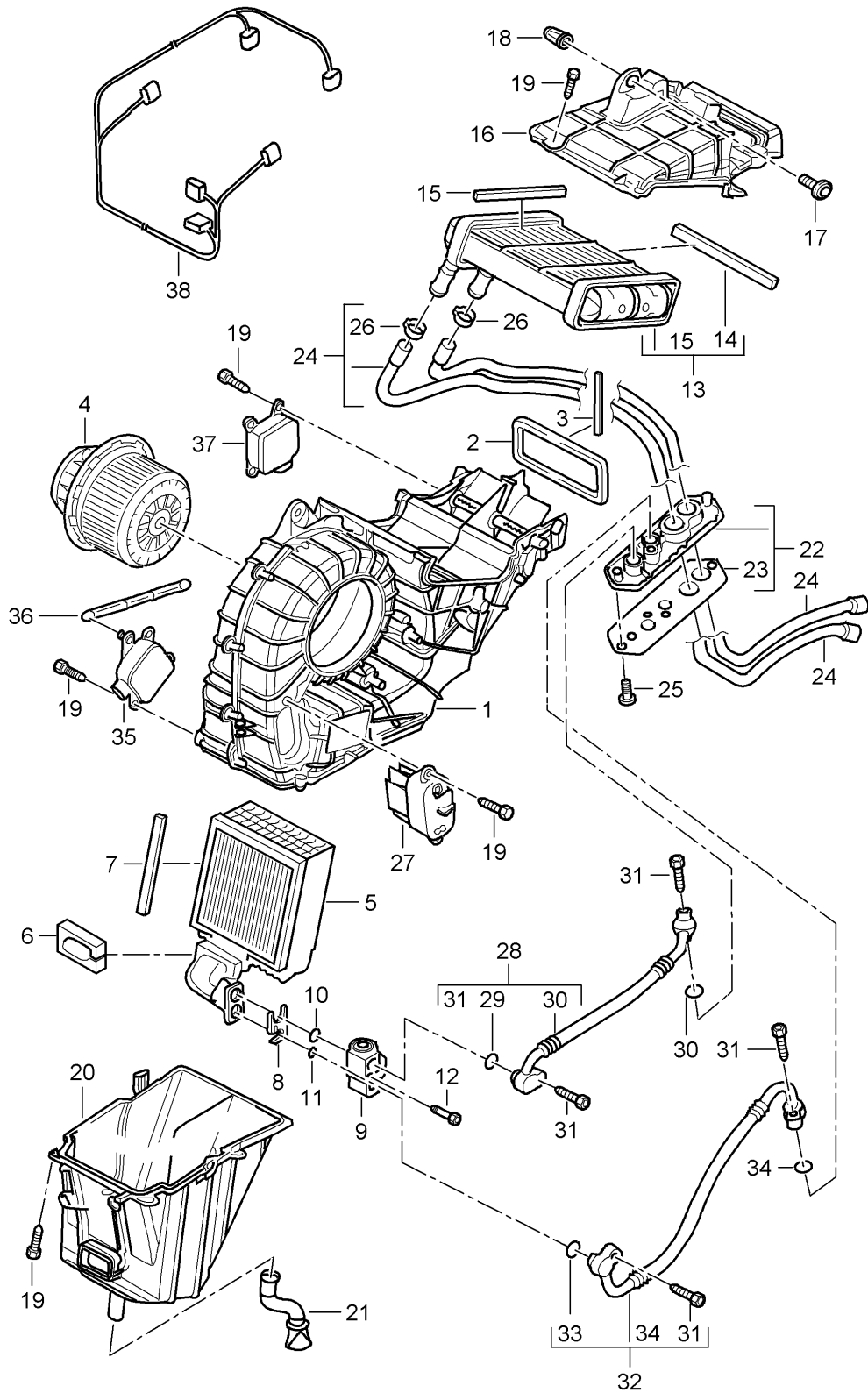


Model: 9PA108 Model life 2007>>2010

Pos	Part Number	Description	Remark	Qty	Model
1	955 624 911 01	Servomotor Air conditioner Servomotor Defroster flap	front rhd right	1	PR:L0R
2	955 624 913 01	Servomotor Air exhaust	side right	1	PR:9AH
3	955 624 912 01	Servomotor Air exhaust	center right	1	PR:9AH
4	N 106 216 01	Hex socket oval head collared M4 X 12		X	
5	955 624 123 01	Retaining plate		1	
6	N 104 241 02	hexagon head panel screw M4 X 16		X	
7	955 624 908 01	Servomotor Temperature mixing flap	right	1 1	PR:9AD,9AH
8	955 624 909 01	Servomotor foot well flap	right	1	PR:9AH
9	955 624 123 04	Retaining plate		1	PR:9AD,9AH
10	955 624 907 01	Servomotor Temperature mixing flap	left	1	PR:9AD,9AH
11	955 624 906 01	Servomotor foot well flap	left	1	PR:9AD,9AH
12	955 624 123 02	Retaining plate		1	PR:9AD,9AH
13	955 624 914 01	Servomotor		1	PR:9AB
(13)	955 624 903 01	Servomotor Fresh-air intake system		1	PR:9AD,9AH
14	955 572 901 00	connecting rod		1	
15	955 624 905 01	Servomotor Air exhaust	side left	1	
16	955 624 902 01	Servomotor Air exhaust	center left	1	PR:9AD,9AH
17	955 624 123 03	Retaining plate		1	

Model: 9PA108

Model life 2007>>2010



Model: 9PA108

Model life 2007>>2010

Pos	Part Number	Description	Remark	Qty	Model
		Air conditioner Individual parts	rear		PR:9AH
1	955 572 060 00	housing		1	
2	955 572 092 00	Seal		1	
3	955 572 093 00	Air exhaust Seal		1	
4	955 572 061 00	Centre web Fan		1	
5	955 572 062 01	evaporator		1	
6	955 572 063 00	Seal		1	
7	955 572 066 00	Gasket set for evaporator		1	
8	955 572 064 00	Bracket Expansion valve		1	
9	955 572 319 10	Expansion valve		1	
10	955 572 325 10	seal ring Exhaust		1	
11	955 572 324 00	O-ring Intake		3	
12	N 104 763 01	Socket head bolt M5 X 40		2	
13	955 572 070 01	heat exchanger		1	
14	955 572 071 00	Seal		1	
15	955 572 072 00	Seal		1	
16	955 572 073 00	Cover		1	
17	N 906 841 04	Oval hexagon socket head bolt M6 X 20		X	
18	N 106 185 01	rivetted cap nut M6		X	
19	N 104 241 02	hexagon head panel screw 4 X 16		X	
20	955 572 074 00	housing		1	
21	955 572 091 00	drain tube		1	
22	955 572 076 00	basic plate		1	
23	955 572 190 00	gasket for base plate		1	
24	N 102 070 02	Socket head bolt with inner multipoint head M6 X 15		X	
25	955 572 078 01	Water hose Supply Return line		1	
26	N 105 587 01	Spring band clamp		2	
27	955 572 341 01	governor		1	
28	955 572 080 01	Refrigerant hose		1	
29	955 572 082 00	O-ring 14,3 X 2,4		X	
30	955 573 103 00	O-ring 13,7 X 2,5		X	
(30)	955 573 749 02	O-ring 13,7 X 2,5		X	
31	N 104 144 02	Socket head bolt with hexagon socket head M8 X 28		X	
32	955 572 081 00	Refrigerant hose		1	
33	955 572 324 00	O-ring 10,8 X 1,82		X	
(33)	955 573 749 04	O-ring 10.8 X 1,82		X	
34	955 572 110 00	O-ring 9,5 X 2,5		X	
(35)	955 572 083 01	Servomotor	left	1	
35	955 572 084 01	Servomotor	right	1	
36	955 572 069 00	Temperature valve guide rod		1	

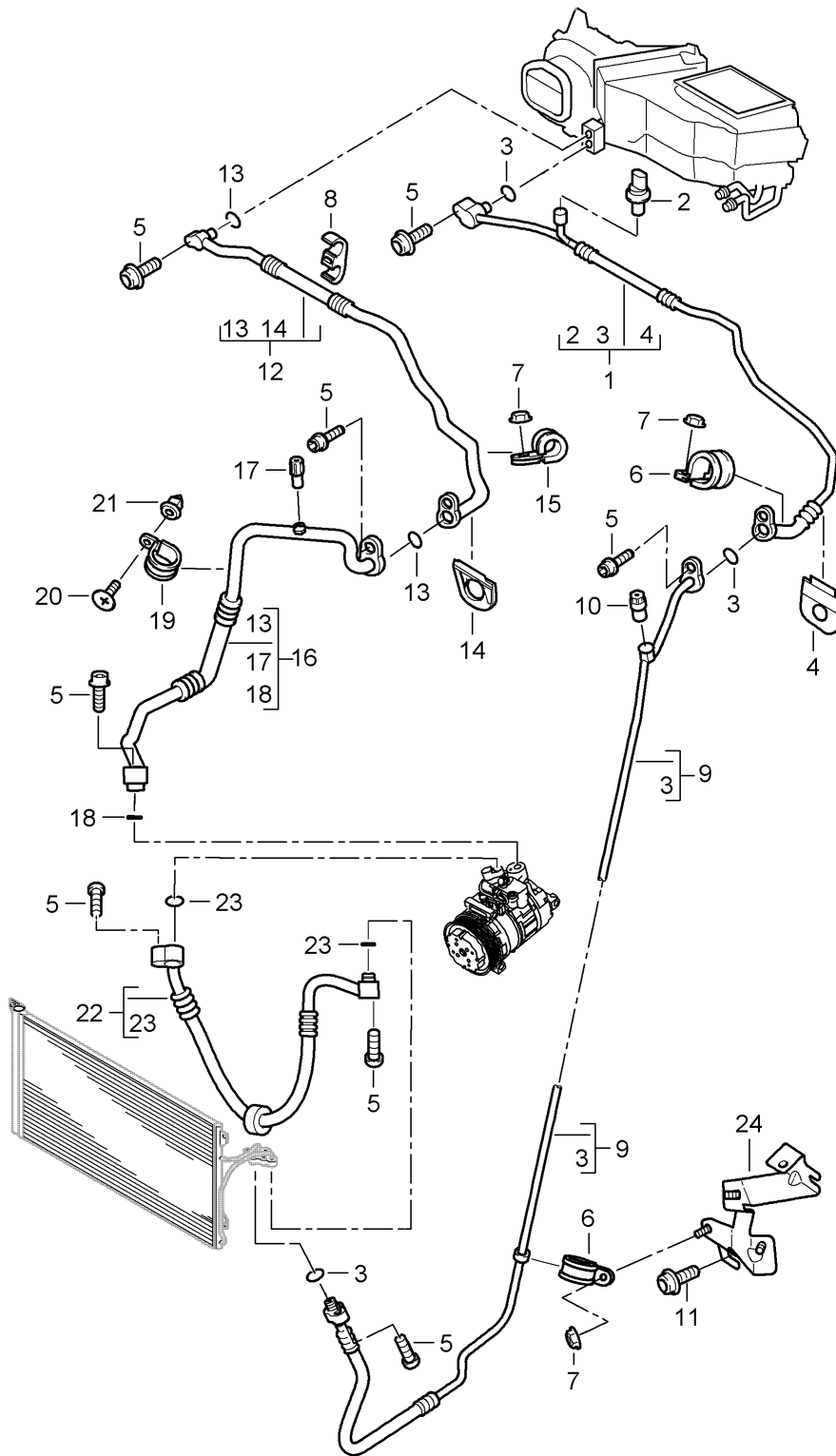
Model: 9PA108

Model life 2007>>2010

Pos	Part Number	Description	Remark	Qty	Model
(37)	955 572 085 01	Servomotor	left	1	
37	955 572 085 03	Servomotor	right	1	
		Air distributor			
38	955 612 354 00	Wire set		1	

Model: 9PA108

Model life 2007>>2010

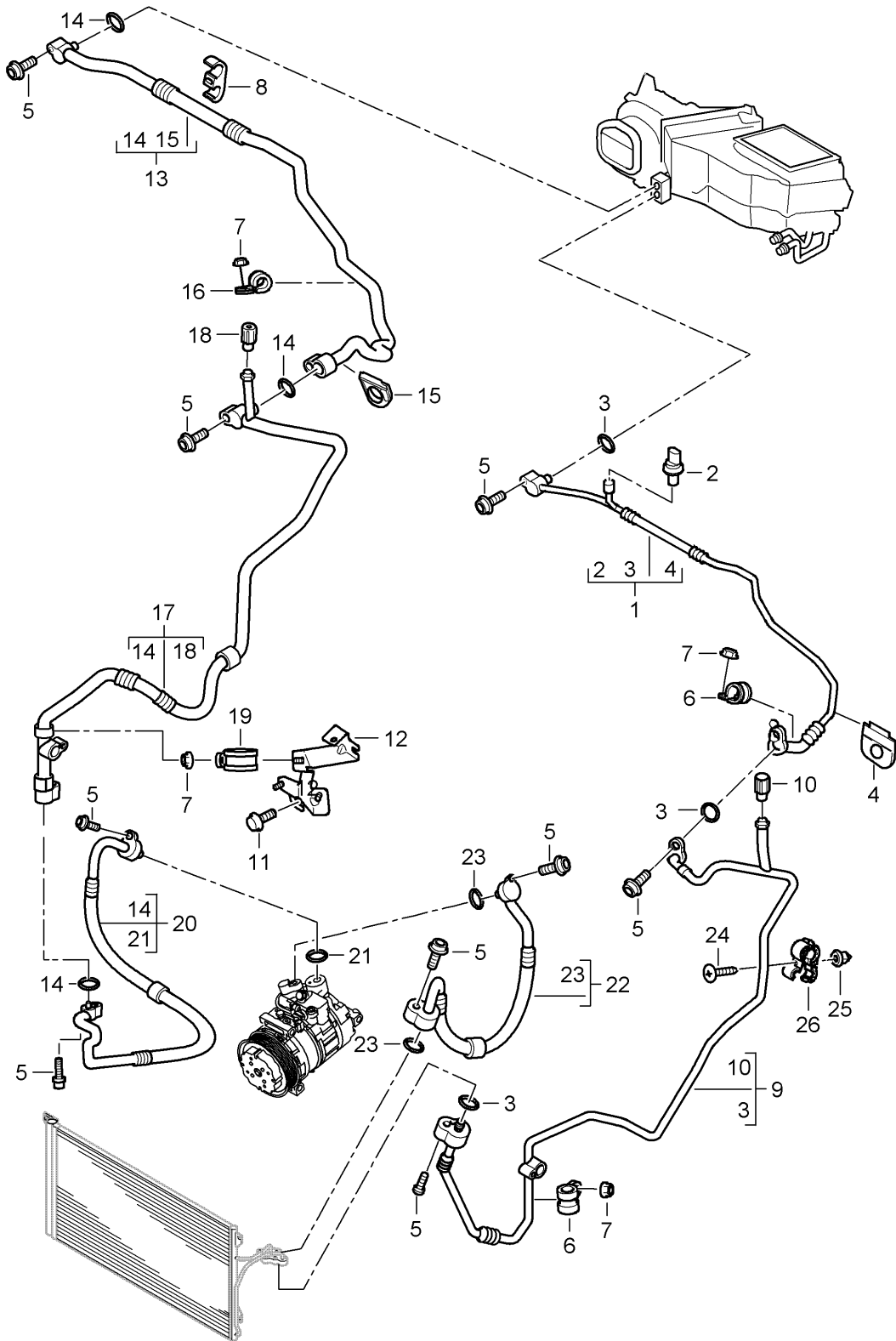


Model: 9PA108 Model life 2007>>2010

Pos	Part Number	Description	Remark	Qty	Model
		refrigerant circuit	front		PR:D5X,9AB, 9AD
1	955 573 741 03	Pressure line Discontinued part	lhd	1	PR:L0L
1	955 573 741 05	Pressure line Connection point	lhd	1	PR:L0L
(1)	955 573 741 06	Expansion valve Pressure line Connection point	rhd	1	PR:L0R
2	955 613 137 01	Expansion valve Discontinued part		1	
(2)	955 613 137 02	Pressure sensor		1	
3	955 573 749 00	O-ring 9,5 X 2,5		X	
4	955 573 668 01	Grommet Pressure line Discontinued part		1	
5	N 104 144 02	Socket head bolt with hexagon socket head M8 X 28		X	
6	N 020 651 7	Clamp 10 X 15		X	
7	N 015 082 5	Hexagon collar nut M6		X	
8	955 573 759 00	Bracket	lhd	1	PR:L0L
9	955 573 750 00	Pressure line		1	
10	955 573 100 00	Valve		1	
		with:			
11	N 104 514 04	Cap Hexagon socket flat head bolt M6 X 16		1	
12	955 573 743 02	suction line	lhd	1	PR:L0L
(12)	955 573 743 03	suction line	rhd	1	PR:L0R
13	955 573 749 02	O-ring 13,7 X 2,5		X	
14	955 572 780 00	Grommet suction line		1	
15	N 020 640 5	Clamp D1 - 18 X 15		X	
16	955 573 744 00	suction line		1	
17	955 573 101 00	Valve		1	
		with:			
18	955 573 109 00	Cap O-ring 23,8 X 2,4		X	
19	N 020 647 3	Clamp D1 - 24 X 15		X	
20	N 908 494 01	panel screw 3,5 X 13		X	
20	N 908 494 02	Discontinued part panel screw ST 3,5 X 13		X	
21	N 105 168 01	expanding nut F 5,0 X 14,4		1	
22	955 573 721 00	Pressure line		1	
23	955 573 749 01	O-ring 11,0 X 2,5		X	
24	955 573 891 01	bracket for pressure line		X	

Model: 9PA108

Model life 2007>>2010



Model: 9PA108 Model life 2007>>2010

Pos	Part Number	Description	Remark	Qty	Model
		refrigerant circuit	front		PR:D5X,9AH
		with:			
1	955 573 741 03	Auxiliary air conditioner		1	PR:L0L
(1)	955 573 741 04	Pressure line	lhd	1	PR:L0R
		Pressure line	rhd	1	
		Connection point			
		Expansion valve			
2	955 613 137 01	Pressure sensor		1	
		Discontinued part			
(2)	955 613 137 02	Pressure sensor		1	
3	955 573 749 00	O-ring		X	
		9,5 X 2,5			
4	955 573 668 01	Grommet		1	
		Pressure line			
		Discontinued part			
5	N 104 144 02	Socket head bolt with hexagon socket head M8 X 28		X	
6	N 020 651 7	Clamp 10 X 15		X	
7	N 015 082 5	Hexagon collar nut M6		X	
8	955 573 759 00	Bracket	lhd	1	PR:L0L
9	955 573 750 02	Pressure line		1	
		Connection point			
		Condenser			
10	955 573 100 00	Valve		1	
		with:			
		Cap			
11	N 104 514 04	Hexagon socket flat head bolt M6 X 16		1	
12	955 573 891 01	bracket for pressure line		1	
13	955 573 743 02	suction line	lhd	1	PR:L0L
(13)	955 573 743 03	suction line	rhd	1	PR:L0R
14	955 573 749 02	O-ring		X	
		13,7 X 2,5			
15	955 572 780 00	Grommet		1	
		suction line			
16	N 020 640 5	Clamp		X	
		D1 - 18 X 15			
(17)	955 573 017 00	suction line		1	PR:9AB,9AD
17	955 573 017 01	suction line		1	PR:9AH
18	955 573 101 00	Valve		1	
		with:			
		Cap			
19	N 020 647 3	Clamp		X	
		D1 - 24 X 15			
20	955 573 744 02	suction line		1	
(20)	955 573 744 02	suction line		1	
		Connection point			
		Compressor			
21	955 573 109 00	O-ring		X	
		23,8 X 2,4			
22	955 573 721 00	Pressure line		1	
(22)	955 573 721 02	Pressure line		1	
		Compressor			
		Condenser			
23	955 572 094 00	O-ring		X	
		11,0 X 2,5			
		Discontinued part			
23	955 573 749 01	O-ring		X	
		11,0 X 2,5			

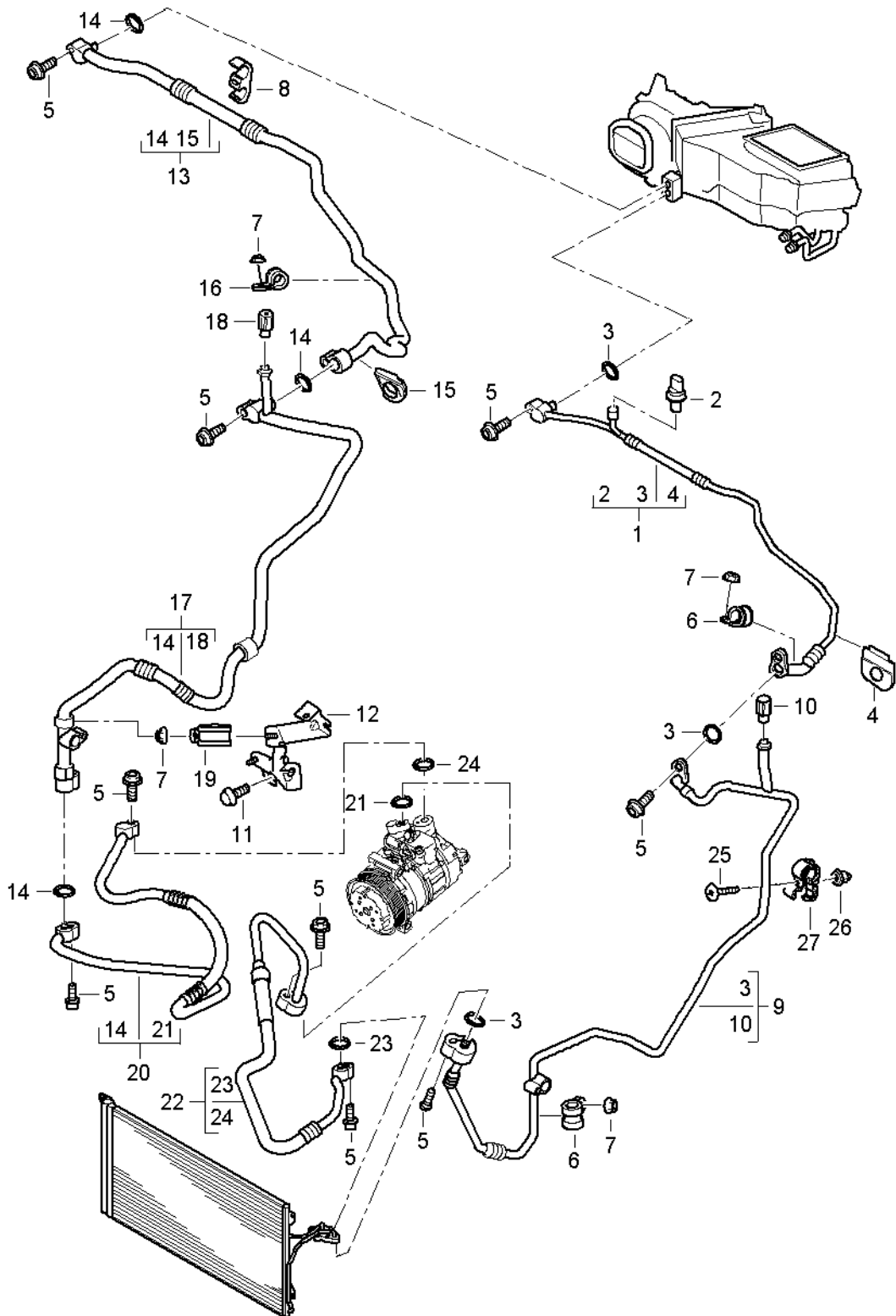
Model: 9PA108

Model life 2007>>2010

Pos	Part Number	Description	Remark	Qty	Model
24	N 908 494 01	panel screw 3,5 X 13		X	
24	N 908 494 02	Discontinued part panel screw ST 3,5 X 13		X	
25	N 105 168 01	expanding nut F 5,0 X 14,4		1	
26	955 573 104 00	dual clip Side member		X	

Model: 9PA108

Model life 2007>>2010



Model: 9PA108 Model life 2007>>2010

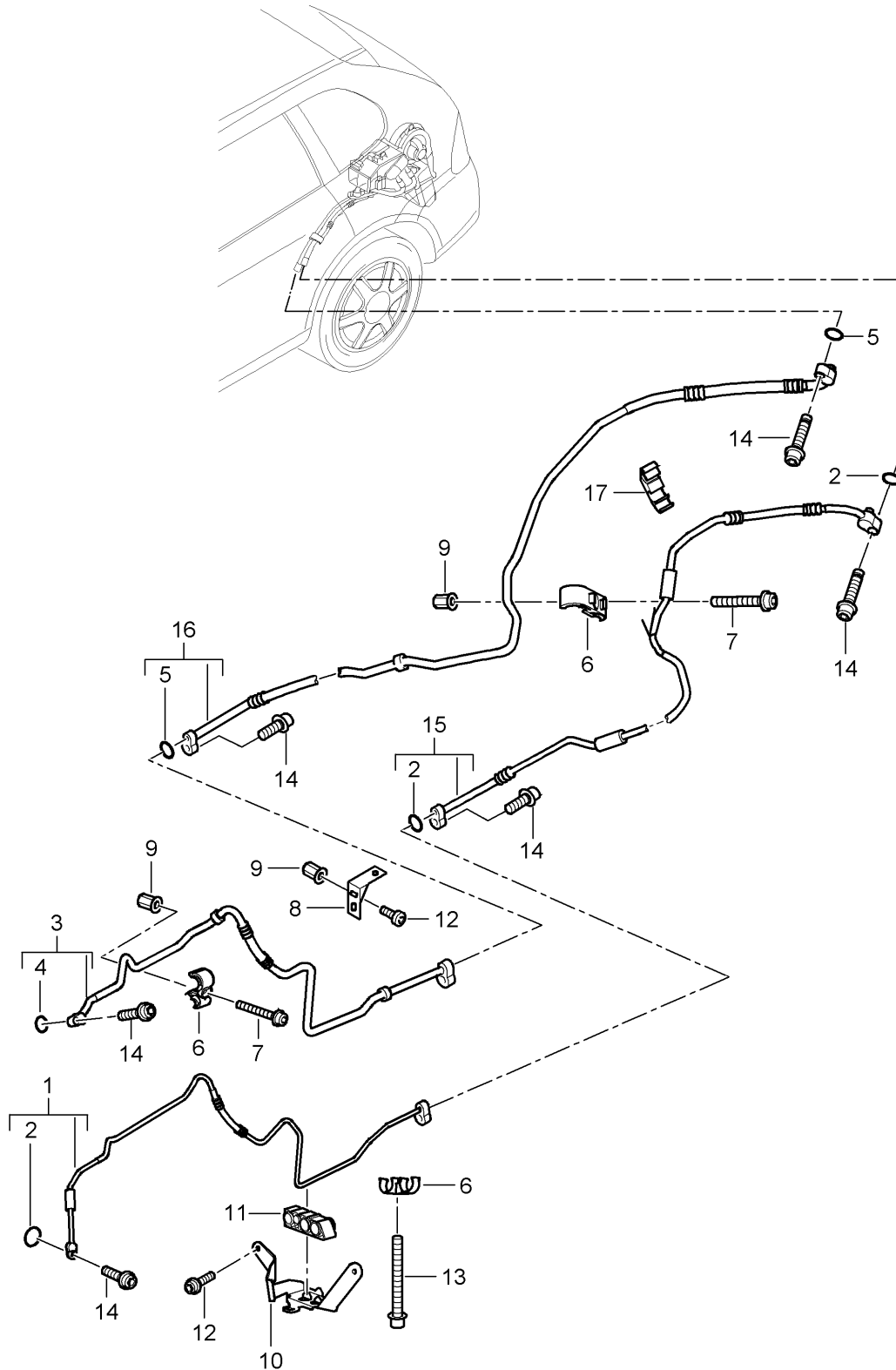
Pos	Part Number	Description	Remark	Qty	Model
		refrigerant circuit	front		PR:D5V,D5Z, D50,9AB,9AD, 9AH
1	955 573 741 03	Pressure line Discontinued part	lhd	1	PR:L0L
1	955 573 741 05	Pressure line	lhd	1	PR:L0L
(1)	955 573 741 06	Pressure line Connection point Expansion valve Discontinued part	rhd	1	PR:L0R
(1)	955 573 741 10	Pressure line Connection point Expansion valve Discontinued part	lhd	1	PR:D50,L0L
(1)	955 573 741 11	Pressure line Connection point Expansion valve Discontinued part	rhd	1	PR:D50,L0R
2	955 613 137 01	Pressure sensor SIEHE Technical information Group 8 NUMMER 4/09 Discontinued part		1	
(2)	955 613 137 02	Pressure sensor		1	
3	955 573 749 00	O-ring 9,5 X 2,5		X	
4	955 573 668 01	Grommet Pressure line Discontinued part		1	
5	N 104 144 02	Socket head bolt with hexagon socket head M8 X 28		X	
6	N 020 651 7	Clamp 10 X 15		X	
7	N 015 082 5	Hexagon collar nut M6		X	
8	955 573 759 00	Bracket	lhd	1	PR:L0L
9	955 573 750 02	Pressure line Condenser Discontinued part		1	PR:9AH,D5V, D5Z
9	955 573 750 05	Pressure line Condenser		1	PR:9AH,D5V, D5Z
(9)	955 573 750 01	Pressure line Discontinued part		1	PR:9AB,9AD, D5V,D5Z
(9)	955 573 750 04	Pressure line		1	PR:9AB,9AD, D5V,D5Z
(9)	958 573 750 00	Pressure line		1	PR:D50
10	955 573 100 00	Valve		1	
		with:			
11	N 104 514 04	Cap Hexagon socket flat head bolt M6 X 16		1	
12	955 573 891 01	bracket for pressure line		1	
13	955 573 743 02	suction line Discontinued part	lhd	1	PR:L0L,-D50
(13)	955 573 743 04	suction line	lhd	1	PR:L0L,-D50
(13)	955 573 743 03	suction line	rhd	1	PR:L0R,-D50
(13)	955 573 743 10	suction line Connection point Expansion valve		1	PR:D50
14	955 573 749 02	O-ring 13,7 X 2,5		X	
15	955 572 780 00	Grommet		1	

Model: 9PA108 Model life 2007>>2010

Pos	Part Number	Description	Remark	Qty	Model
16	N 020 640 5	suction line Clamp D1 - 18 X 15		X	
(17)	955 573 017 00	suction line Discontinued part		1	PR: 9AB, 9AD, D5V, D5Z
(17)	955 573 017 02	suction line		1	PR: D5V, D5Z, 9AB, 9AD
17	955 573 017 01	suction line Discontinued part		1	PR: 9AH, D5V, D5Z
(17)	955 573 017 03	suction line Compressor		1	PR: 9AH, D5V, D5Z
(17)	955 573 017 10	suction line Compressor		1	PR: D50, 9AH
(17)	955 573 017 11	suction line Compressor		1	PR: D50, 9AB, 9AD
(17)	955 573 017 20	suction line		1	PR: D50
18	955 573 101 00	Valve	with:	1	
19	N 020 647 3	Cap Clamp D1 - 24 X 15		X	
20	955 573 744 20	suction line Compressor		1	PR: D50
(20)	955 573 744 05	suction line Compressor Discontinued part		1	PR: -D50
(20)	955 573 744 06	suction line Compressor		1	PR: -D50
21	955 573 749 04	O-ring 10,8 X 1,8		X	
22	955 573 721 01	Pressure line		1	
(22)	955 573 721 10	Pressure line Compressor Condenser		1	PR: D50
23	955 572 094 00	O-ring 11,0 X 2,5 Discontinued part		X	
23	955 573 749 01	O-ring 11,0 X 2,5		X	
24	955 573 109 00	O-ring 23,8 X 2,4		X	
25	N 908 494 01	panel screw 3,5 X 13 Discontinued part		X	
25	N 908 494 02	panel screw ST 3,5 X 13		X	
26	N 105 168 01	expanding nut F 5,0 X 14,4		1	
27	955 573 104 00	dual clip Side member		X	

Model: 9PA108

Model life 2007>>2010



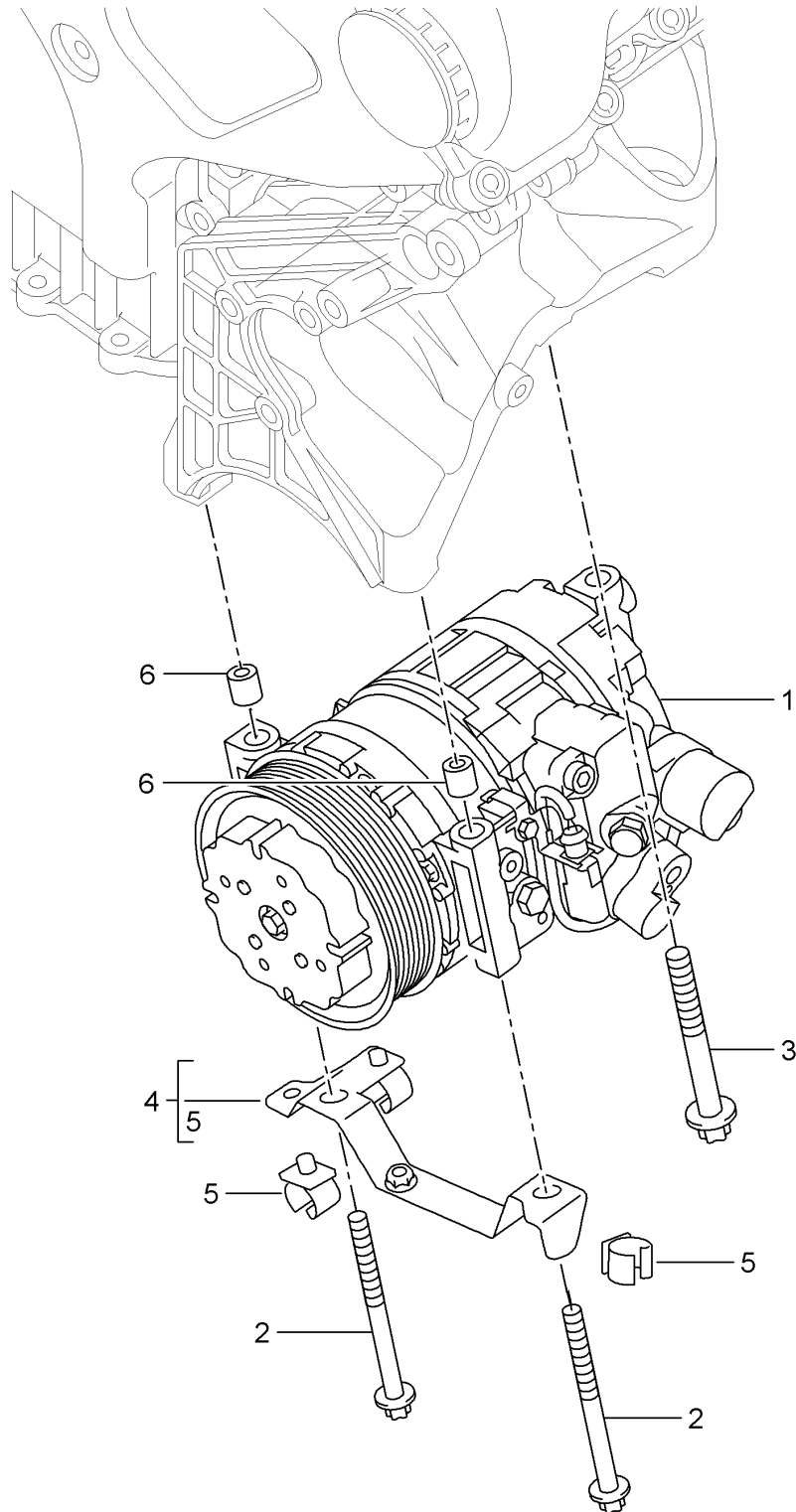
Model: 9PA108

Model life 2007>>2010

Pos	Part Number	Description	Remark	Qty	Model
		refrigerant circuit Auxiliary air conditioner	rear		PR:9AH
(1)	955 573 722 01	Pressure line Discontinued part		1	
(1)	955 573 722 02	Pressure line		1	
2	955 573 749 00	O-ring		X	
(3)	955 573 729 03	suction line		1	
4	955 573 749 01	O-ring		X	
5	955 572 094 00	O-ring 11,0 X 2,5 Discontinued part		X	
5	955 573 749 02	O-ring		X	
6	955 572 180 00	dual clip		X	
7	N 105 084 02	Hexagon socket head bolt M6 X 35		4	
8	955 572 495 00	Line holder		2	
9	N 902 631 04	rivetted cap nut M6		X	
10	955 573 605 00	Bracket		1	
11	955 572 757 05	Distance piece		1	
12	N 104 514 04	Hexagon socket flat head bolt M6 X 16		2	
13	N 104 677 02	Oval hexagon socket head bolt M6 X 70		2	
14	N 104 144 02	Socket head bolt with hexagon socket head M8 X 28		2	
15	955 573 725 00	Pressure line		1	
16	955 573 727 00	suction line		1	
17	955 573 763 00	Distance piece		1	

Model: 9PA108

Model life 2007>>2010



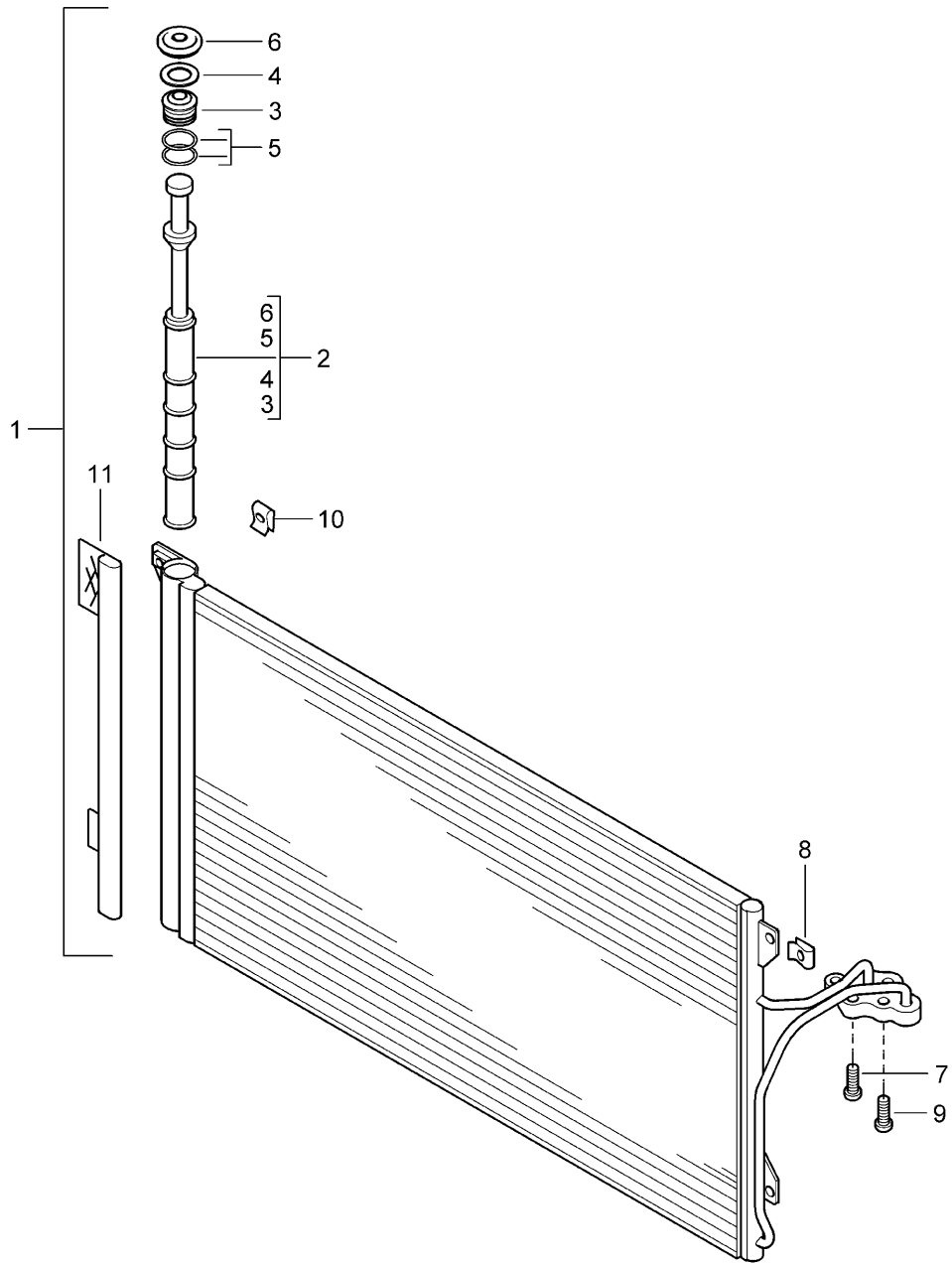
Model: 9PA108

Model life 2007>>2010

Pos	Part Number	Description	Remark	Qty	Model
		Compressor			
		Air conditioning			
1	955 126 011 04	Compressor		1	PR:D5X
1	955 126 011 DX	Compressor		1	PR:D5X
(1)	955 126 011 10	Compressor		1	PR:D5V,D5Z
(1)	955 126 011 1X	Compressor		1	PR:D5V,D5Z
(1)	955 126 011 12	Compressor		1	PR:D50
2	N 907 075 02	hexagon head bolt (combi) M 8 X 100		2	
3	N 106 727 01	Hex collared bolt M 10 X 100		1	
4	955 126 012 00	Bracket for compressor	lhd	1	PR:D5X,L0L
(4)	955 126 012 10	Bracket for compressor	rhd	1	PR:D5X,L0R
(4)	955 126 012 11	Bracket for compressor		1	PR:D5V,D5Z
5	4D0 616 823	Bracket		1	PR:D5X
(5)	4D0 616 823	Bracket		4	PR:D5V,D5Z
6	955 147 501 01	Centre sleeve 6,5 X 11,15		2	PR:D5X
(6)	955 126 501 02	Centre sleeve 11M6 X 10		2	PR:D5V,D5Z
-	000 043 200 04	Compressor oil 250 ml		1	

Model: 9PA108

Model life 2007>>2010



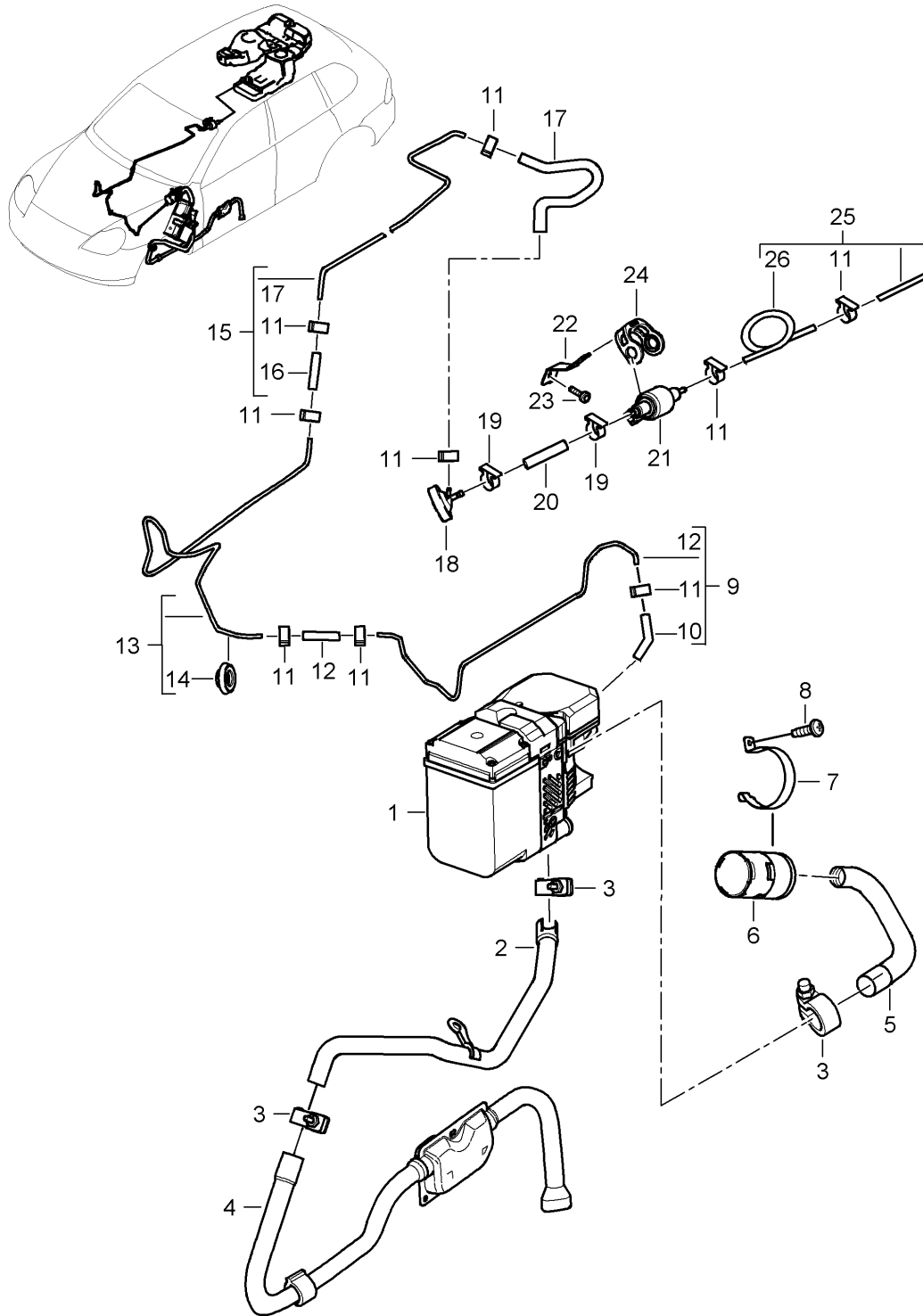
Model: 9PA108

Model life 2007>>2010

Pos	Part Number	Description	Remark	Qty	Model
		Condenser			
		Air conditioning			
1	955 573 111 05	Condenser		1	PR:-D50
1	955 573 111 04	Condenser		1	PR:D50
2	955 573 143 01	Drier		1	
3	955 573 115 00	Cap closure		1	
4	N 909 939 01	Securing ring		1	
5	N 909 870 01	O-ring		1	
6	955 573 116 00	Cover		1	
7	N 104 514 04	Hexagon socket flat head bolt M 6 X 16		2	
8	999 166 034 02	Sl-lock		2	
9	N 104 144 02	Socket head bolt with hexagon socket head M 8 X 28		X	
10	N 902 547 01	Retaining washer		4	
(11)	955 573 117 00	Sealing strip	left	1	
11	955 573 118 00	Sealing strip	right	1	

Model: 9PA108

Model life 2007>>2010



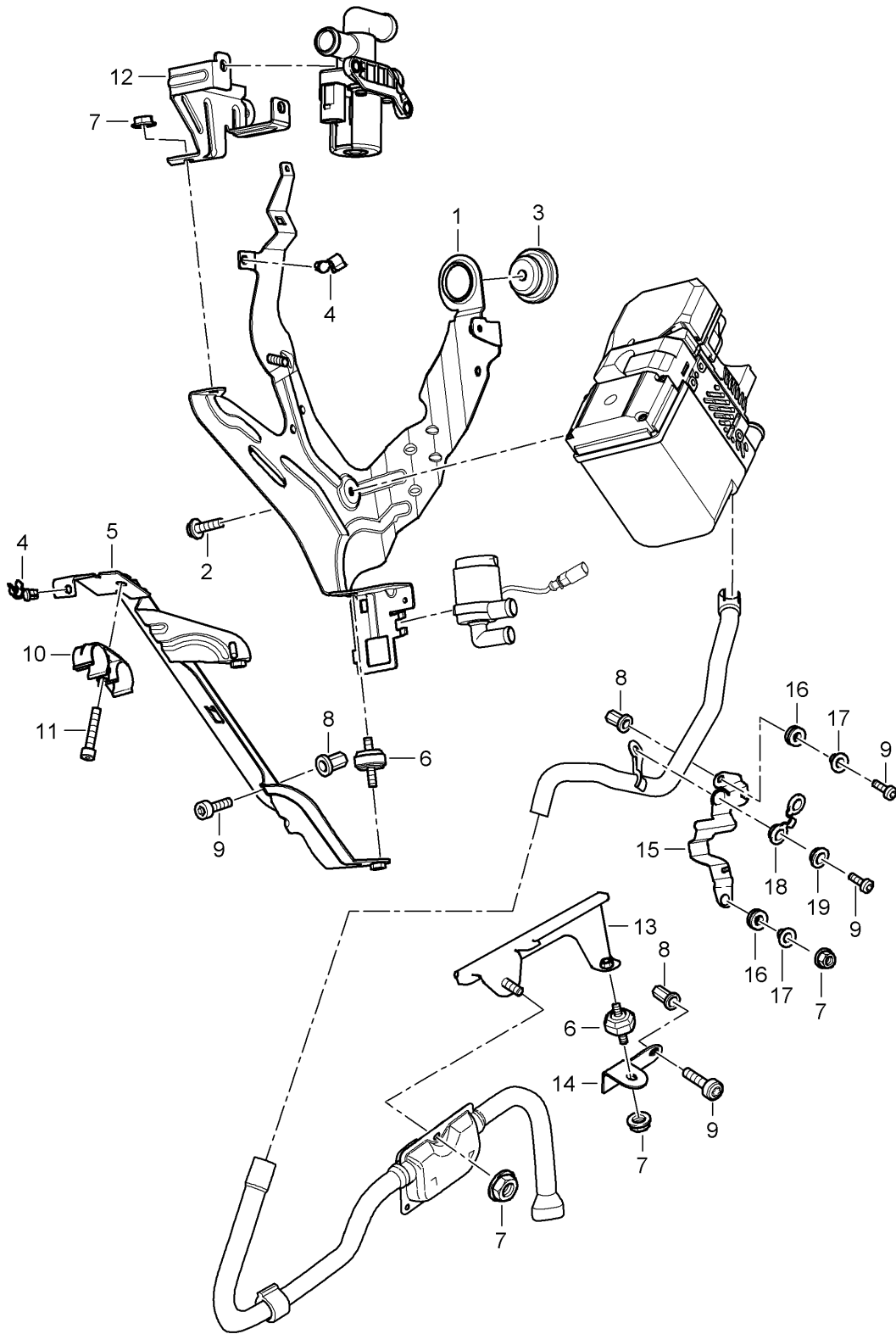
Model: 9PA108

Model life 2007>>2010

Pos	Part Number	Description	Remark	Qty	Model
		Auxiliary heater Bracket see illustration:	813-085		
1	955 572 801 04	Auxiliary heater		1	PR:-D50,-9M5
(1)	955 572 801 10	Auxiliary heater		1	PR:D50,9M5
(1)	955 572 801 20	Auxiliary heater		1	PR:D50,-9M5
2	955 572 806 02	Exhaust pipe		1	
3	N 106 182 01	Clamp 22 X 15		X	
4	955 572 807 02	Silencer		1	
5	955 572 811 02	Intake manifold		1	
6	955 572 812 00	Silencer		1	
7	955 572 597 00	Clamp Silencer		1	
8	N 909 117 01	Oval hexagon socket head bolt M 4 X 16		1	
9	955 572 490 00	Fuel line heater unit Wheel housing		1	
10	955 572 514 00	Molded hose		1	
11	N 101 981 01	Ear crimp hose clamp		X	
12	955 572 517 00	Fuel hose		X	
13	955 572 492 00	Fuel line tunnel		1	
14	311 949 149 B	Grommet		1	
15	955 201 355 12	Fuel line Pump		1	
16	955 572 815 00	Fuel hose		1	
17	955 572 513 00	Hose Damper		1	
18	955 572 618 00	Damper		1	
19	N 102 035 01	Clamp 11,3 X 5 X 0,5		1	
20	955 572 238 00	Hose		1	
21	955 572 820 01	Fuel pump		1	
22	955 572 829 00	Bracket Fuel pump		1	
23	N 106 507 01	Hexagon socket head bolt M6 X 12		1	
24	955 572 947 00	Rubber holder Fuel pump		1	
25	955 201 355 01	Fuel line Pump		1	
26	955 572 757 00	Fuel tank Hose		1	

Model: 9PA108

Model life 2007>>2010



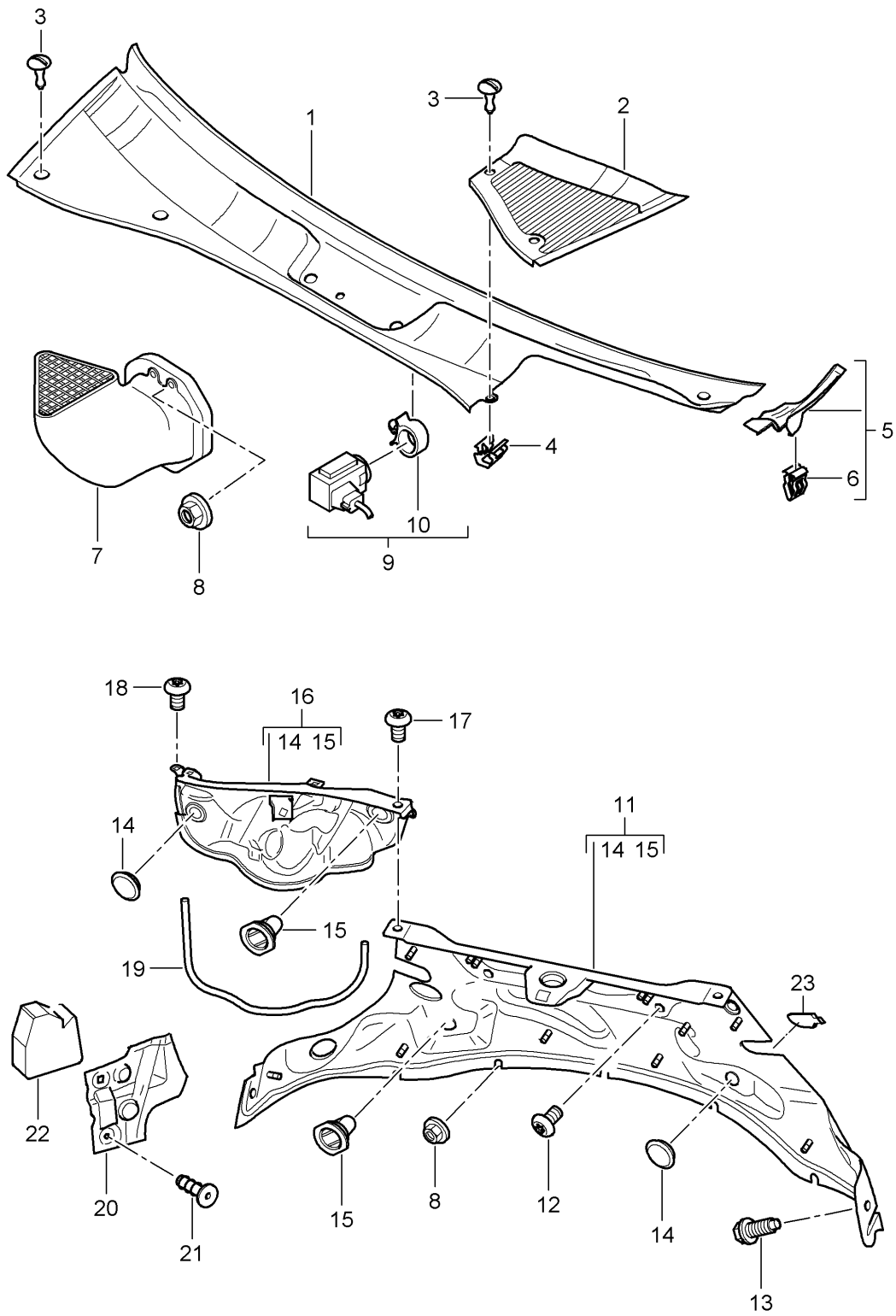
Model: 9PA108

Model life 2007>>2010

Pos	Part Number	Description	Remark	Qty	Model
1	955 572 803 02	Bracket Auxiliary heater		1	
2	955 572 802 00	Bracket heater unit		3	
3	955 572 261 00	Hexagon bolt M6 X 18		1	
4	955 572 788 00	Rubber bush		2	
5	955 572 805 01	Clip		1	
6	955 572 833 00	Bracket		2	
7	N 015 082 10	Bonded rubber bush		9	
8	N 902 631 04	Hexagon collar nut M 6		2	
9	N 104 514 04	rivettted cap nut M6		2	
10	955 572 055 01	Hexagon socket flat head bolt M6 X 16		X	
11	N 106 209 01	Clip		1	
12	955 572 826 01	Socket head bolt with hexagon socket head M6 X 30		1	
13	955 572 808 02	Bracket Valve		1	
14	955 572 809 00	Retainer for exhaust system		1	
15	955 572 950 01	Bracket exhaust system		1	
16	955 572 095 00	Retainer for exhaust pipe		X	
17	955 572 121 00	Rubber grommet		X	
18	955 572 828 00	bush		1	
19	955 572 827 01	Mounting Exhaust pipe bush		X	

Model: 9PA108

Model life 2007>>2010

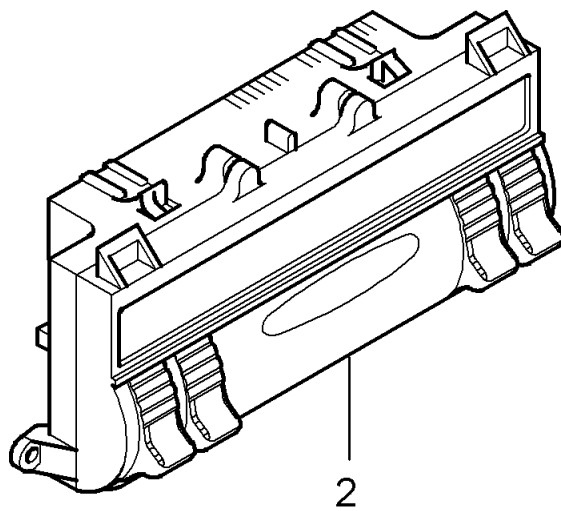
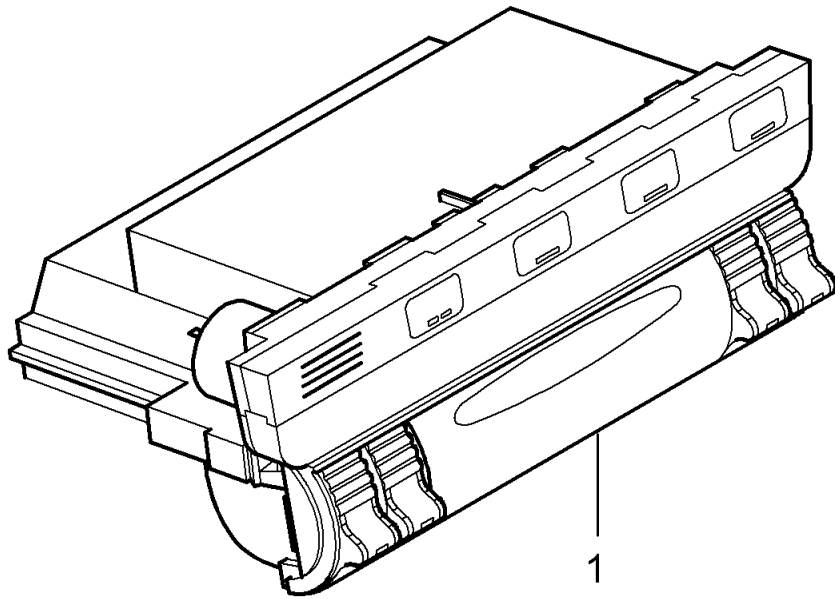


Model: 9PA108 Model life 2007>>2010

Pos	Part Number	Description	Remark	Qty	Model
		Cover water box Fresh-air intake system			
1	955 572 563 04	Plenum chamber cover	lhd	1	PR:L0L
	955 572 563 04 01C	Satin black			
(1)	955 572 564 05	Plenum chamber cover	rhd	1	PR:L0R
	955 572 564 05 01C	Satin black			
2	955 572 729 00	Flap	left lhd	1	PR:L0L
	955 572 729 00 01C	Satin black			
(2)	955 572 729 01	Flap	left rhd	1	PR:L0R
	955 572 729 01 01C	Satin black			
(2)	955 572 730 00	Flap	right rhd	1	PR:L0R
	955 572 730 00 01C	Satin black			
3	955 572 710 00	Fastening plug		4	
4	955 572 711 00	Clip		X	
5	955 572 569 01	Plenum chamber cover	left	1	
(5)	955 572 568 01	Plenum chamber cover	right	1	
6	955 572 712 00	Clamp		X	
7	955 572 029 00	housing	lhd	1	PR:L0L
(7)	955 572 030 00	housing	rhd	1	PR:L0R
		Fresh-air intake system			
8	N 015 082 10	Hexagon collar nut M 6		2	
9	955 618 550 02	Sensor		1	PR:9AD,9AH
10	955 618 556 00	Clip		1	
11	955 572 570 03	water box Firewall		1	PR:-D50
11	955 572 570 04	water box Firewall		1	PR:D50
12	955 628 035 00	Screw M6 X 10		2	
13	N 101 563 02	Hex collared bolt M6 X 12		2	
14	N 020 024 01	Bungs		X	
15	955 572 598 00	Bungs		X	
(16)	955 572 573 02	water box	left	1	PR:-D50
(16)	955 572 573 03	water box	left	1	PR:D50
16	955 572 571 02	water box	right	1	PR:-D50
(16)	955 572 571 03	water box	right	1	PR:D50
17	N 906 381 04	Oval-head screw M6 X 12		X	
18	N 105 918 01	Hexagon socket head collared bolt (combi) M6 X 12		X	
(19)	955 572 573 00	seal for water box	left	1	
19	955 572 574 00	seal for water box	right	1	
20	955 572 575 00	Plenum chamber cover	left	1	
(20)	955 572 576 00	Plenum chamber cover	right side	1	
21	N 905 841 01	Cover cap		X	
22	955 572 531 00	seal for water box		2	
23	958 572 908 00	Bungs		X	
	958 572 908 00 9B9	Black			

Model: 9PA108

Model life 2007>>2010

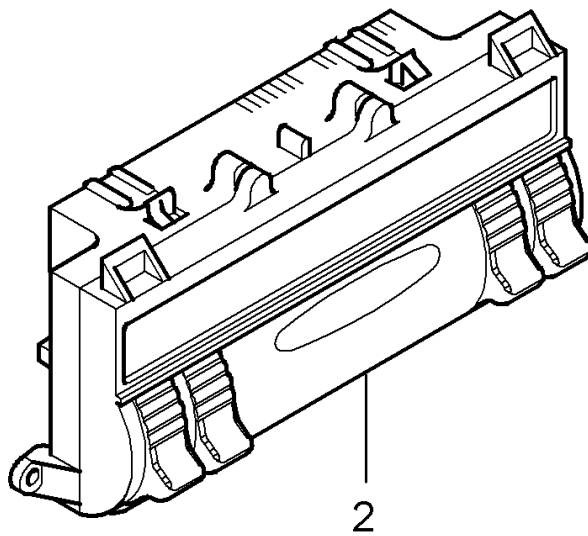
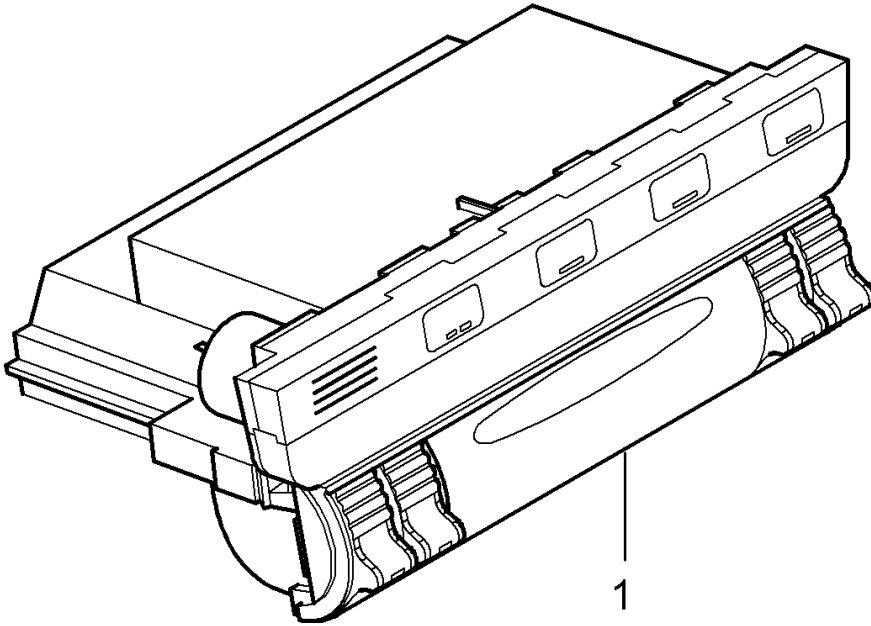


Model: 9PA108 Model life 2007>>2010

Pos	Part Number	Description	Remark	Qty	Model
1	955 653 101 21	Control panel Porsche Cayenne Control panel Control mechanism Black	front	1	PR:D5X,D50 PR:9AB,5MA, 9M0,9M5
(1)	955 653 102 21	Control panel Control mechanism Of Black		1	PR:9AB,7VE, 7VL,5MA
(1)	955 653 103 21	Control panel Control mechanism Black	front	1	PR:9M0,9M5, 5MA,9AD
(1)	955 653 103 31	Control panel Control mechanism	front	1	PR:9AD,9M0, 9M5,5MH,5MG, 5TE,5TF
(1)	955 653 104 21	Metallic Control panel Control mechanism Black	front	1	PR:7VE,7VL, 9AD,5MA
(1)	955 653 105 21	Control panel Control mechanism Of Black		1	PR:9AH,5MA, 9M0,9M5
(1)	955 653 106 21	Control panel Control mechanism Black	front	1	PR:5MA,7VE, 7VL,9AH
(1)	955 653 104 31	Control panel Control mechanism	front	1	PR:7VE,7VL, 9AD,5MG,5MH, 5TE,5TF
(1)	955 653 113 21	Metallic Control panel Control mechanism	front	1	PR:5MG,5MH, 5TE,5TF,9AH, 9M0,9M5
(1)	955 653 114 21	Metallic Control panel Control mechanism	front	1	PR:5MG,5MH, 5TE,5TF,7VE, 7VL,9AH
(1)	955 653 115 21	Metallic Control panel Control mechanism	front	1	PR:9AB,9M0, 9M5,5MG,5MH, 5TE,5TF
(1)	955 653 116 21	Metallic Control panel Control mechanism	front	1	PR:9AB,7VE, 7VL,5MG,5MH, 5TE,5TF
2	955 653 201 11	Metallic Control panel Air conditioning		1	PR:4A0,4A3, 5MA,9AH
(2)	955 653 202 11	Control panel Air conditioning		1	PR:9AH,4A4, 5MA
(2)	955 653 203 12	Control panel Air conditioning		1	PR:4A3,4A0, 5MG,5MH,5TE, 5TF,9AH
(2)	955 653 204 11	Control panel Air conditioning		1	PR:9AH,4A4, 5MG,5MH,5TE, 5TF

Model: 9PA108

Model life 2007>>2010

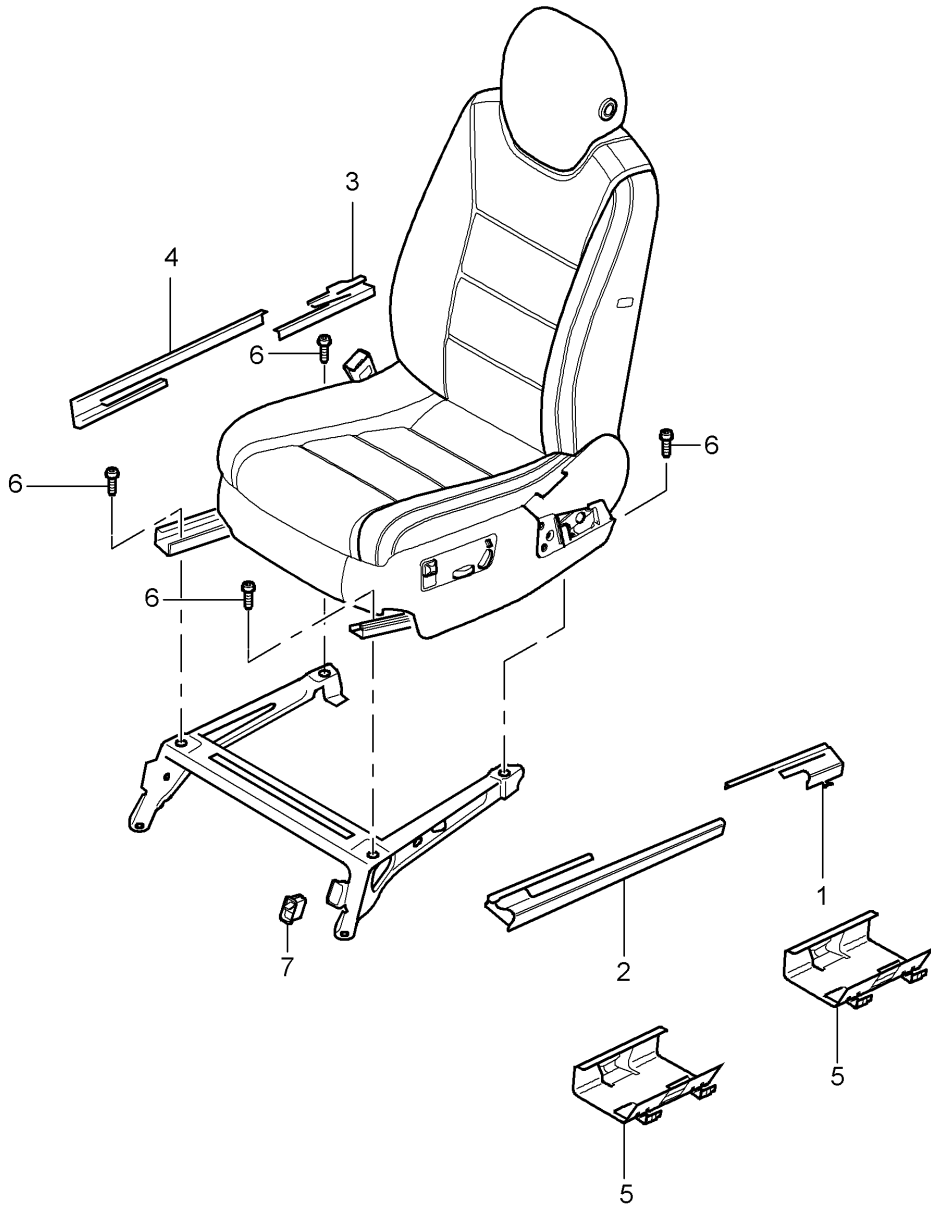


Model: 9PA108 Model life 2007>>2010

Pos	Part Number	Description	Remark	Qty	Model
		Control panel Cayenne S			PR:D5V,D5Z
(1)	955 653 104 30	Cayenne turbo Control panel		1	PR:7VE,7VL, 9AD
(1)	955 653 104 80	Control panel		1	PR:7VE,7VL, 9AD,E0W
(1)	955 653 113 20	Control panel		1	PR:9AH
(1)	955 653 113 80	Control panel		1	PR:9AH,E0W
(1)	955 653 114 20	Control panel		1	PR:7VE,7VL, 9AH
(1)	955 653 114 80	Control panel		1	PR:7VE,7VL, 9AH,E0W
(1)	955 653 103 30	Control panel Discontinued part		1	PR:9AD,9M0
1	955 653 103 31	Control panel		1	PR:9AD,9M0, 5TF,9M5,5MG, 5MH,5TE
(1)	955 653 103 80	Control panel		1	PR:9AD,E0W
(2)	955 653 203 10	Control panel		1	PR:4A3
(2)	955 653 203 11	Control panel		1	PR:E0W
(2)	955 653 204 10	Control panel		1	PR:9AH,4A4

Model: 9PA108

Model life 2007>>2010



Model: 9PA108

Model life 2007>>2010

Pos	Part Number	Description	Remark	Qty	Model
-		Front seat Front seat (complete) Not available			
1	955 521 337 01	Cover Seat rail Front seat	left a. right	1	PR:3L4,3L5, 3PN,4UB,4UD, 4UE
	955 521 337 01 01C	Satin black			
	955 521 337 01 6C6	Sand beige			
	955 521 337 01 7A8	steel grey			
	955 521 337 01 K40	chestnut brown			
(1)	955 521 356 00	D - MJ 2008>> Cover Seat rail Front seat		1	PR:3L4,3L5, 3PN,4UQ
	955 521 356 00 01C	Satin black			
	955 521 356 00 6C6	Sand beige			
	955 521 356 00 7A8	steel grey			
	955 521 356 00 K40	chestnut brown			
2	955 521 332 04	D - MJ 2008>> Cover Seat rail (drivers side)	left	1	PR:3L4,3L5, 3PN
	955 521 332 04 9B9	Satin black			
	955 521 332 04 6C6	Sand beige			
	955 521 332 04 7A8	steel grey			
	955 521 332 04 K40	chestnut brown			
(2)	955 521 342 04	D - MJ 2008>> Cover Seat rail (passenger side)	left	1	PR:3L4,3L5, 3PN,4UQ
	955 521 342 04 01C	Satin black			
	955 521 342 04 6C6	Sand beige			
	955 521 342 04 7A8	steel grey			
	955 521 342 04 K40	chestnut brown			
(2)	955 521 343 00	D - MJ 2008>> Cover Seat rail (passenger side)	left	1	PR:3L4,3L5, 3PN
	955 521 343 00 9B9	Satin black			
	955 521 343 00 6C6	Sand beige			
	955 521 343 00 7A8	steel grey			
	955 521 343 00 K40	chestnut brown			
3	955 521 338 01	D - MJ 2008>> Cover Seat rail Front seat	left a. right	1	PR:3L4,3L5, 3PB,3PN
	955 521 338 01 01C	Satin black			
	955 521 338 01 6C6	Sand beige			
	955 521 338 01 7A8	steel grey			
	955 521 338 01 K40	chestnut brown			
(3)	955 521 358 00	D - MJ 2008>> Cover Seat rail Front seat		1	PR:3L4,3L5, 3PN,4UQ
	955 521 358 00 01C	Satin black			
	955 521 358 00 6C6	Sand beige			
	955 521 358 00 7A8	steel grey			
	955 521 358 00 K40	chestnut brown			
4	955 521 351 03	D - MJ 2008>> Cover cap Seat rail (drivers side)	right	1	PR:3L4,3L5, 3PN

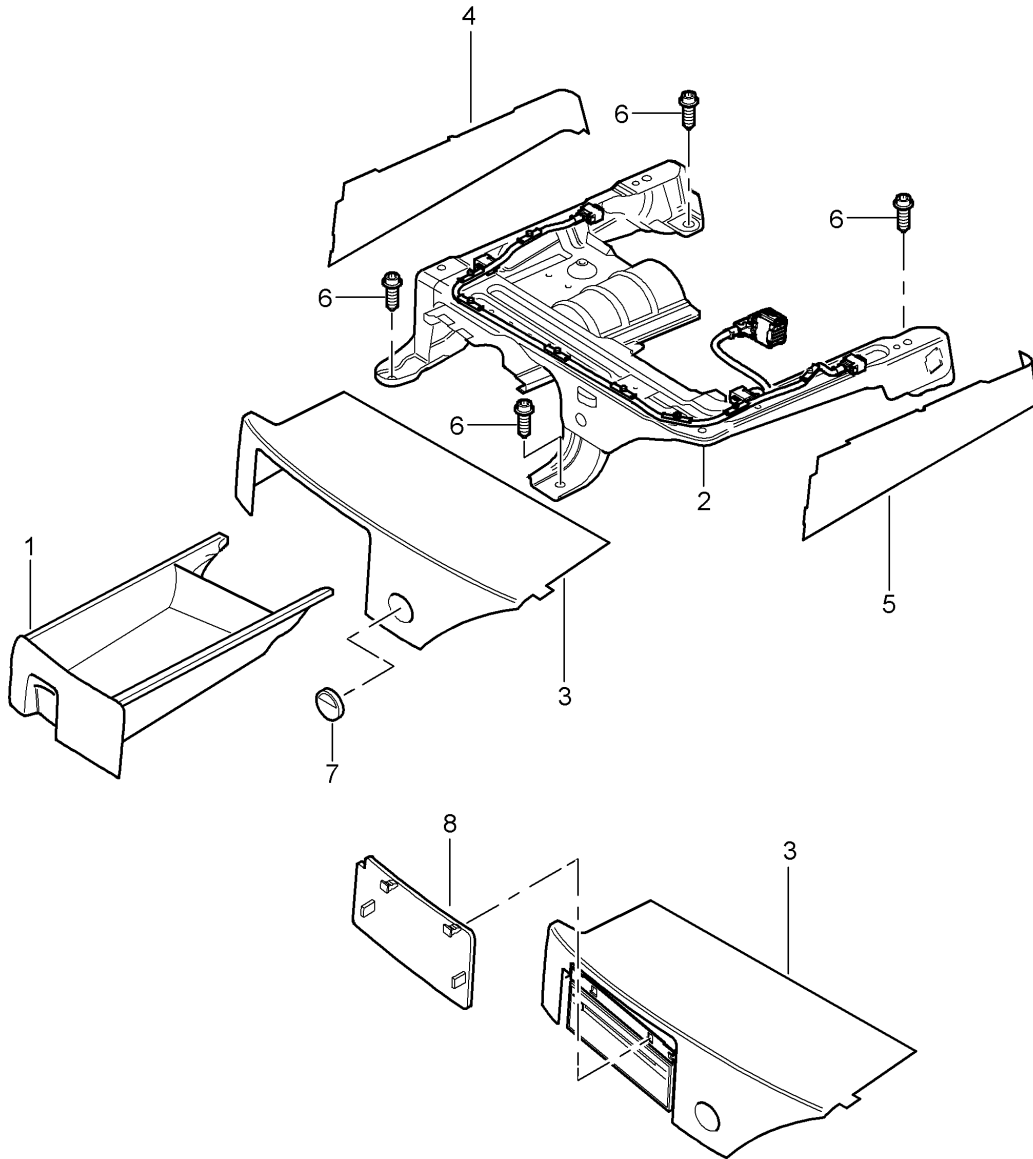
Model: 9PA108

Model life 2007>>2010

Pos	Part Number	Description	Remark	Qty	Model
	955 521 351 03 9B9	Satin black			
	955 521 351 03 6C6	Sand beige			
	955 521 351 03 7A8	steel grey			
	955 521 351 03 K40	chestnut brown			
(4)	955 521 355 04	D - MJ 2008>> Cover Seat rail (passenger side)	right	1	PR: 3L4, 3L5, 3PN, 4UQ
	955 521 355 04 01C	Satin black			
	955 521 355 04 6C6	Sand beige			
	955 521 355 04 7A8	steel grey			
	955 521 355 04 K40	chestnut brown			
(4)	955 521 464 00	D - MJ 2008>> Cover Seat rail (passenger side)	right	1	PR: 3L4, 3L5, 3PN
	955 521 464 00 01C	Satin black			
	955 521 464 00 6C6	Sand beige			
	955 521 464 00 7A8	steel grey			
	955 521 464 00 K40	chestnut brown			
5	955 521 353 00	D - MJ 2008>> Clip Seat rail		4	PR: 3L4, 3L5, 3PN
6	N 909 650 01	Socket head bolt with multi-point inner drive, self-lock. M 10 X 30 Seat rail		4	
(6)	N 909 650 02	Discontinued part Socket head collared bolt with inner multipoint head M 10 X 30 Seat rail		4	
7	955 521 370 00	Retaining clip		2	

Model: 9PA108

Model life 2007>>2010



Model: 9PA108 Model life 2007>>2010

Pos	Part Number	Description	Remark	Qty	Model
1	955 521 400 02	Frame Trim Drawer (passenger side) without: Fire extinguishers D >> - MJ 2008		1	PR: 4UB, 4UD, 4UE, 8DQ, 8DR, 8DV, 6A0, 8YZ
	955 521 400 02 9B9	Satin black			
	955 521 400 02 6C6	Sand beige			
	955 521 400 02 7A8	steel grey			
	955 521 400 02 K40	chestnut brown			
1	955 521 400 02	Drawer (passenger side) without: Fire extinguishers D - MJ 2009>>		1	PR: 7T7, 4UD, 4UE, 6A0, 6A7
	955 521 400 02 9B9	Satin black			
	955 521 400 02 6C6	Sand beige			
	955 521 400 02 7A8	steel grey			
	955 521 400 02 K40	chestnut brown			
(1)	955 521 401 03	Drawer (passenger side) without: Fire extinguishers D - MJ 2009>>		1	PR: 7T7, 4UD, 4UE, 6A5
	955 521 401 03 9B9	Satin black			
	955 521 401 03 6C6	Sand beige			
	955 521 401 03 7A8	steel grey			
	955 521 401 03 K40	chestnut brown			
(1)	955 521 401 03	Drawer (passenger side) with: Fire extinguishers D >> - MJ 2008		1	PR: 4UB, 4UD, 4UE, 6A5, 6A4
	955 521 401 03 9B9	Satin black			
	955 521 401 03 6C6	Sand beige			
	955 521 401 03 7A8	steel grey			
	955 521 401 03 K40	chestnut brown			
(1)	955 521 402 02	Drawer (passenger side) with: Fire extinguishers		1	PR: 4UQ, 6A5
	955 521 402 02 01C	Satin black			
	955 521 402 02 6C6	Sand beige			
	955 521 402 02 7A8	steel grey			
	955 521 402 02 K40	chestnut brown			
(1)	955 521 404 02	Drawer (passenger side) without: Fire extinguishers		1	PR: 4UQ, 6A0, 8DU
	955 521 404 02 9B9	Satin black			
	955 521 404 02 6C6	Sand beige			
	955 521 404 02 7A8	steel grey			
	955 521 404 02 K40	chestnut brown			
	955 521 404 02 6H8	Palm green			
2	955 521 410 02	Frame Seat (passenger side)	right	1	PR: 4UB, 4UD, 4UE
(2)	955 521 411 01	Frame Seat (drivers side)	left	1	
3	955 521 418 00	Trim Frame	right	1	PR: 3L4, 3L5, 3PN, 3ME, 4UQ

Model: 9PA108 Model life 2007>>2010

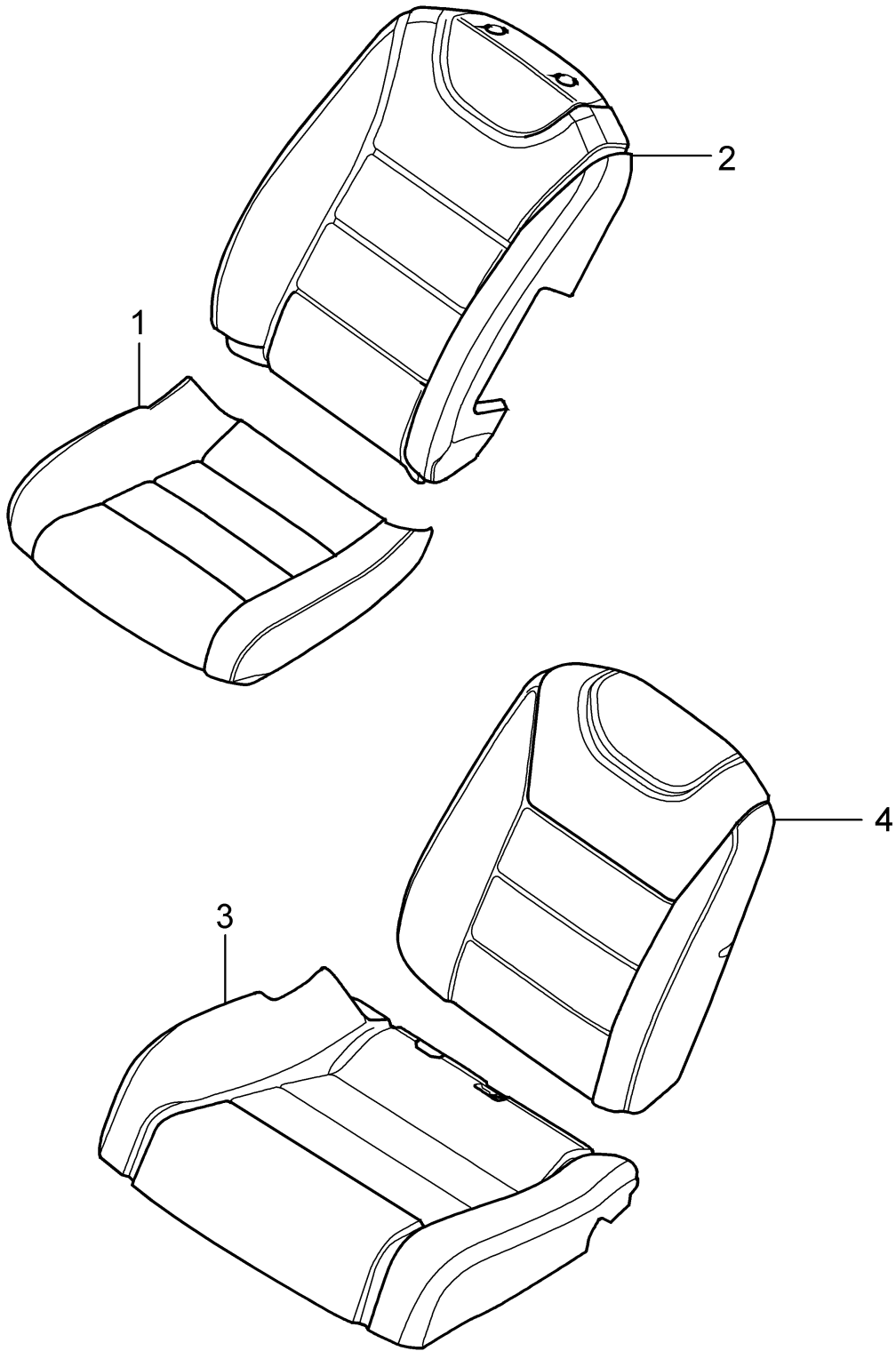
Pos	Part Number	Description	Remark	Qty	Model
(3)	955 521 418 00 7H1	Tufting velour Black	right	1	PR: 3L4, 3L5, 3PN, 3ME, 4UB, 4UD, 4UE
	955 521 418 00 7K3	Sand beige			
	955 521 418 00 7J2	steel grey			
	955 521 416 02	Trim Frame Tufting velour			
	955 521 416 02 7H1	Black			
	955 521 416 02 7K3	Sand beige			
	955 521 416 02 7J2	steel grey			
(3)	955 521 417 03	chestnut brown D - MJ 2009>> Trim Frame	left	1	PR: 3L4, 3L5, 3PN, 3MT
	955 521 417 03 8B2	Black			
	955 521 417 03 8D4	Sand beige			
	955 521 417 03 8C3	steel grey			
	955 521 417 03 L63	chestnut brown			
	955 521 419 02	Trim Frame			
	955 521 419 02 7H1	Black			
(3)	955 521 419 02 7J2	steel grey	left	1	PR: 3L4, 3L5, 3PN, 3ME
	955 521 419 02 7K3	Sand beige			
	955 521 419 02 AV1	chestnut brown D - MJ 2009>>			
	955 521 420 02	Trim Frame			
	955 521 420 02 8B2	Black			
	955 521 420 02 8C3	steel grey			
	955 521 420 02 8D4	Sand beige			
(3)	955 521 420 02 L63	chestnut brown	right	1	PR: 3L4, 3L5, 3PN, 3MT, 4UB, 4UD, 4UE
	955 521 422 00	Trim Frame			
	955 521 422 00 8B2	Black			
	955 521 422 00 8C3	steel grey			
	955 521 422 00 8D4	Sand beige			
	955 521 432 01	Trim Frame (passenger side) Pearl velour			
	955 521 432 01 8B2	Black			
(4)	955 521 432 01 8C3	steel grey	right	1	PR: 3L4, 3L5, 3PN, 3MT, 4UQ
	955 521 432 01 8D4	Sand beige			
	955 521 436 00	Trim Frame (passenger side) Pearl velour			
	955 521 436 00 8B2	Black			
	955 521 436 00 8C3	steel grey			
	955 521 436 00 8D4	Sand beige			
	955 521 434 01	Trim Frame (passenger side) Tufting velour			
(4)	955 521 434 01 7H1	Black	right	1	PR: 3L4, 3L5, 3PN, 3ME, 4UB, 4UD, 4UE
	955 521 434 01 7J2	steel grey			
	955 521 434 01 7K3	Sand beige			
	955 521 438 00	Trim Frame (passenger side) Tufting velour			
	955 521 438 00 7H1	Black			

Model: 9PA108 Model life 2007>>2010

Pos	Part Number	Description	Remark	Qty	Model			
5	955 521 438 00 7J2	steel grey		1	PR: 3L4, 3L5, 3MT, 3PN			
	955 521 438 00 7K3	Sand beige						
	955 521 443 01	Trim						
		Frame						
		(drivers side)						
	955 521 443 01 8B2	Black						
	955 521 443 01 8C3	steel grey						
	955 521 443 01 8D4	Sand beige						
	955 521 443 01 L63	chestnut brown						
	(5)	955 521 445 01	Trim				1	PR: 3L4, 3L5, 3PN, 3ME
	Frame							
	(drivers side)							
955 521 445 01 7H1	Black							
955 521 445 01 7J2	steel grey							
955 521 445 01 7K3	Sand beige							
955 521 445 01 AV1	chestnut brown							
	D - MJ 2009>>							
6	N 910 192 02	Socket head collared bolt with inner multipoint head		4				
7	955 521 480 00	Mount		1				
		Frame						
		Cover cap						
		Trim						
		Seat						
8	955 521 480 00 01C	Satin black		1	PR: 8DQ, 8DV, 4UB, 4UD, 4UE			
	955 521 480 00 6C6	Sand beige						
	955 521 480 00 7A8	steel grey						
	955 521 480 00 K40	chestnut brown						
	955 521 550 00	Trim						
		DVD device						
		D >> - MJ 2008						
	955 521 550 00 01C	Satin black						
	955 521 550 00 6C6	Sand beige						
	955 521 550 00 7A8	steel grey						
8	955 521 550 00 K40	chestnut brown		1	PR: 4UB, 7T7, 4UD, 4UE			
	955 521 550 00	Trim						
		DVD device						
		D - MJ 2009>>						
	955 521 550 00 01C	Satin black						
	955 521 550 00 6C6	Sand beige						
	955 521 550 00 7A8	steel grey						
	955 521 550 00 K40	chestnut brown						
	(8)	955 521 551 01	Trim				1	PR: 4UQ, 8DQ, 8DV
		DVD device						
	D >> - MJ 2008							
955 521 551 01 01C	Satin black							
955 521 551 01 6C6	Sand beige							
955 521 551 01 7A8	steel grey							
955 521 551 01 K40	chestnut brown							

Model: 9PA108

Model life 2007>>2010



Model: 9PA108 Model life 2007>>2010

Pos	Part Number	Description	Remark	Qty	Model
1	955 521 141 08	Cover Foam part Front seat	left	1	PR:N1P,Q2J, 4A0
(1)	955 521 141 08 WAG 955 521 142 08	Cover Comfort seat without heating chestnut brown	right	1	PR:N1P,Q2J, 4A0
(1)	955 521 142 08 WAG 955 521 141 05	Cover Comfort seat without heating chestnut brown	left	1	PR:N1X,Q2J, 4A0
(1)	955 521 141 05 PBW 955 521 141 05 PBX 955 521 141 05 PBY 955 521 142 05	Cover Comfort seat without heating Sand beige steel grey Black	right	1	PR:N1X,Q2J, 4A0
(1)	955 521 142 05 PBW 955 521 142 05 PBX 955 521 142 05 PBY 955 521 165 05	Cover Comfort seat without heating Sand beige steel grey Black	left	1	PR:N1X,4A3, 4A4,Q2J
(1)	955 521 165 05 PBW 955 521 165 05 PBX 955 521 165 05 PBY 955 521 164 05	Cover Comfort seat with heating Sand beige steel grey Black	right	1	PR:N1X,4A3, 4A4,Q2J
(1)	955 521 164 05 PBW 955 521 164 05 PBX 955 521 164 05 PBY 955 521 153 05	Cover Comfort seat with heating Sand beige steel grey Black	left	1	PR:N7F,Q2J, 4A0
(1)	955 521 153 05 PBW 955 521 153 05 PBX 955 521 153 05 PBY 955 521 144 05	Cover Comfort seat without heating Sand beige steel grey Black	right	1	PR:N7F,Q2J, 4A0
(1)	955 521 144 05 PBW 955 521 144 05 PBX 955 521 144 05 PBY 955 521 167 05	Cover Comfort seat without heating Sand beige steel grey Black	left	1	PR:N7F,4A3, 4A4
(1)	955 521 167 05 PBW 955 521 167 05 PBX 955 521 167 05 PBY 955 521 166 05	Cover Comfort seat with heating Sand beige steel grey Black	right	1	PR:N7F,4A3, 4A4
(1)	955 521 166 05 PBW 955 521 166 05 PBX 955 521 166 05 PBY 955 521 161 06	Cover Comfort seat with heating Sand beige steel grey Black	left	1	PR:N5U,4A3, 4A4,Q1D
	955 521 161 06 PCA	Cover sports seat with heating Sand beige			

Model: 9PA108

Model life 2007>>2010

Pos	Part Number	Description	Remark	Qty	Model
(1)	955 521 161 06 PCB	steel grey			
	955 521 161 06 PCC	Black			
	955 521 146 06	Cover	right	1	PR:N5U,4A3, 4A4,Q1D
		sports seat with heating			
	955 521 146 06 PCA	Sand beige			
	955 521 146 06 PCB	steel grey			
	955 521 146 06 PCC	Black			
(1)	955 521 149 00	Cover	left	1	PR:N5U,Q1D, 4A0
		sports seat without heating			
	955 521 149 00 PCA	Sand beige			
	955 521 149 00 PCB	steel grey			
	955 521 149 00 PCC	Black			
(1)	955 521 148 00	Cover	right	1	PR:N5U,Q1D, 4A0
		sports seat without heating			
	955 521 148 00 PCA	Sand beige			
	955 521 148 00 PCB	steel grey			
	955 521 148 00 PCC	Black			
(1)	955 521 151 05	Cover	left	1	PR:N5U,Q2J, 4A0
		Comfort seat without heating			
	955 521 151 05 PCA	Sand beige			
	955 521 151 05 PCB	steel grey			
	955 521 151 05 PCC	Black			
(1)	955 521 152 05	Cover	right	1	PR:N5U,Q2J, 4A0
		Comfort seat without heating			
	955 521 152 05 PCA	Sand beige			
	955 521 152 05 PCB	steel grey			
	955 521 152 05 PCC	Black			
(1)	955 521 168 05	Cover	right	1	PR:N5U,4A3, 4A4
		Comfort seat with heating			
	955 521 168 05 PCA	Sand beige			
	955 521 168 05 PCB	steel grey			
	955 521 168 05 PCC	Black			
(1)	955 521 169 05	Cover	left	1	PR:N5U,4A3, 4A4
		Comfort seat with heating			
	955 521 169 05 PCA	Sand beige			
	955 521 169 05 PCB	steel grey			
	955 521 169 05 PCC	Black			
(1)	955 521 163 05	Cover	left	1	PR:N7D,Q2J, 4A0
		Comfort seat without heating			
	955 521 163 05 PCA	Sand beige			
	955 521 163 05 PCB	steel grey			
	955 521 163 05 PCC	Black			
(1)	955 521 162 05	Cover	right	1	PR:N7D,Q2J, 4A0
		Comfort seat without heating			
	955 521 162 05 PCA	Sand beige			
	955 521 162 05 PCB	steel grey			
	955 521 162 05 PCC	Black			
(1)	955 521 155 05	Cover	left	1	PR:N7D,4A3, 4A4
		Comfort seat with heating			
	955 521 155 05 PCA	Sand beige			
	955 521 155 05 PCB	steel grey			
	955 521 155 05 PCC	Black			
(1)	955 521 154 05	Cover	right	1	PR:N7D,4A3,

Model: 9PA108 Model life 2007>>2010

Pos	Part Number	Description	Remark	Qty	Model
		Comfort seat with heating			4A4
	955 521 154 05 PCA	Sand beige			
	955 521 154 05 PCB	steel grey			
	955 521 154 05 PCC	Black			
(1)	955 521 153 08	Cover	left	1	PR:N5Y,Q2J, 4A0
		Comfort seat without heating			
	955 521 153 08 WAG	chestnut brown			
(1)	955 521 144 08	Cover	right	1	PR:N5Y,Q2J, 4A0
		Comfort seat without heating			
	955 521 144 08 WAG	chestnut brown			
(1)	955 521 169 08	Cover	left	1	PR:N5Y,4A3, 4A4
		Comfort seat with heating			
	955 521 169 08 WAG	chestnut brown			
(1)	955 521 168 08	Cover	right	1	PR:N5Y,4A3, 4A4
		Comfort seat with heating			
	955 521 168 08 WAG	chestnut brown			
(1)	955 521 149 08	Cover	left	1	PR:N1P,Q1D, 4A0
		Seat surface sports seat without heating			
	955 521 149 08 WAG	chestnut brown			
(1)	955 521 148 08	Cover	right	1	PR:N1P,Q1D, 4A0
		Seat surface sports seat without heating			
	955 521 148 08 WAG	chestnut brown			
(1)	955 521 161 09	Cover	left	1	PR:N1P,4A3, 4A4,Q1D
		sports seat Seat surface with heating			
	955 521 161 09 WAG	chestnut brown			
(1)	955 521 146 09	Cover	right	1	PR:N1P,4A3, 4A4,Q1D
		sports seat Seat surface with heating			
	955 521 146 09 WAG	chestnut brown			
(1)	955 521 155 08	Cover	left	1	PR:N1P,4A3, 4A4
		Comfort seat Seat surface with heating			
	955 521 155 08 WAG	chestnut brown			
(1)	955 521 154 08	Cover	right	1	PR:N1P,4A3, 4A4
		Comfort seat Seat surface with heating			
	955 521 154 08 WAG	chestnut brown			
(1)	955 521 143 01	Cover	left	1	PR:N2S,Q1J, 4A0
		sports seat Alcantara without heating			
	955 521 143 01 XKR	Black			
	955 521 143 01 XKS	Sand beige			
	955 521 143 01 XKT	steel grey			
(1)	955 521 144 11	Cover	right	1	PR:N2S,Q1J, 4A0
		sports seat Alcantara without heating			
		D - MJ 2008>>			

Model: 9PA108 Model life 2007>>2010

Pos	Part Number	Description	Remark	Qty	Model
		D - MJ 2008>>			
	955 521 144 11 XKR	Black			
	955 521 144 11 XKS	Sand beige			
	955 521 144 11 XKT	steel grey			
(1)	955 521 145 11	Cover sports seat Alcantara with heating	left	1	PR:N2S,4A3, 4A4,Q1J
		D - MJ 2008>>			
	955 521 145 11 XKR	Black			
	955 521 145 11 XKS	Sand beige			
	955 521 145 11 XKT	steel grey			
(1)	955 521 146 11	Cover sports seat Alcantara with heating	right	1	PR:N2S,4A3, 4A4,Q1J
		D - MJ 2008>>			
	955 521 146 11 XKR	Black			
	955 521 146 11 XKS	Sand beige			
	955 521 146 11 XKT	steel grey			
(1)	955 521 147 00	Cover sports seat without heating	left	1	PR:N1P,4A0, Q1J
		D - MJ 2009>>			
	955 521 147 00 WAG	chestnut brown			
(1)	955 521 138 00	Cover sports seat without heating	left	1	PR:N1P,4A0, Q1J
		D - MJ 2009>>			
	955 521 138 00 WAG	chestnut brown			
(1)	955 521 150 00	Cover sports seat with heating	left	1	PR:N1P,4A3, 4A4,Q1J
		D - MJ 2009>>			
	955 521 150 00 WAG	chestnut brown			
(1)	955 521 156 00	Cover sports seat with heating	right	1	PR:N1P,4A3, 4A4,Q1J
		D - MJ 2009>>			
	955 521 156 00 WAG	chestnut brown			
(1)	955 521 157 00	Cover without heating sports seat Turbo	left	1	PR:N1M,4A0, Q1J
		D - MJ 2009>>			
	955 521 157 00 ZBX	Black/Havanna			
	955 521 157 00 ZBY	Black/Steel Grey			
(1)	955 521 158 00	Cover without heating sports seat Turbo	right	1	PR:N1M,4A0, Q1J
		D - MJ 2009>>			
	955 521 158 00 ZBX	Black/Havanna			
	955 521 158 00 ZBY	Black/Steel Grey			
(1)	955 521 159 00	Cover with heating sports seat Turbo	left	1	PR:N1M,Q1J, 4A3,4A4
		D - MJ 2009>>			
	955 521 159 00 ZBX	Black/Havanna			
	955 521 159 00 ZBY	Black/Steel Grey			
(1)	955 521 160 00	Cover with heating	right	1	PR:N1M,Q1J, 4A3,4A4

Model: 9PA108 Model life 2007>>2010

Pos	Part Number	Description	Remark	Qty	Model
		sports seat Turbo D - MJ 2009>>			
	955 521 160 00 ZBX	Black/Havanna			
	955 521 160 00 ZBY	Black/Steel Grey			
2	955 521 171 08	Backrest cover without heating	left	1	PR:N1P,Q2J, 4A0
	955 521 171 08 WAG	chestnut brown			
(2)	955 521 170 08	Backrest cover without heating	right	1	PR:N1P,Q2J, 4A0
	955 521 170 08 WAG	chestnut brown			
(2)	955 521 178 08	Backrest cover Comfort seat with heating	left	1	PR:N1P,4A3, 4A4
	955 521 178 08 WAG	chestnut brown			
(2)	955 521 186 08	Backrest cover Comfort seat with heating	right	1	PR:N1P,4A3, 4A4
	955 521 186 08 WAG	chestnut brown			
(2)	955 521 191 08	Backrest cover without heating	left	1	PR:N1P,Q1D, 4A0
	955 521 191 08 WAG	chestnut brown			
(2)	955 521 192 08	Backrest cover without heating	right	1	PR:N1P,Q1D, 4A0
	955 521 192 08 WAG	chestnut brown			
(2)	955 521 173 09	Backrest cover sports seat without heating	left	1	PR:N1P,4A3, 4A4,Q1D
	955 521 173 09 WAG	chestnut brown			
(2)	955 521 172 09	Backrest cover sports seat with heating	right	1	PR:N1P,4A3, 4A4,Q1D
	955 521 172 09 WAG	chestnut brown			
(2)	955 521 175 06	Backrest cover Comfort seat without heating	left	1	PR:N1X,Q2J, 4A0
	955 521 175 06 PBW	Sand beige			
	955 521 175 06 PBX	steel grey			
	955 521 175 06 PBY	Black			
(2)	955 521 181 06	Backrest cover Comfort seat without heating	right	1	PR:N1X,Q2J, 4A0
	955 521 181 06 PBW	Sand beige			
	955 521 181 06 PBX	steel grey			
	955 521 181 06 PBY	Black			
(2)	955 521 171 06	Backrest cover Comfort seat without heating	left	1	PR:N7F,Q2J, 4A0
	955 521 171 06 PBW	Sand beige			
	955 521 171 06 PBX	steel grey			
	955 521 171 06 PBY	Black			
(2)	955 521 170 06	Backrest cover Comfort seat without heating	right	1	PR:N7F,Q2J, 4A0
	955 521 170 06 PBW	Sand beige			
	955 521 170 06 PBX	steel grey			
	955 521 170 06 PBY	Black			
(2)	955 521 176 06	Backrest cover Comfort seat without heating	left	1	PR:N5U,Q2J, 4A0
	955 521 176 06 PCA	Sand beige			

Model: 9PA108

Model life 2007>>2010

Pos	Part Number	Description	Remark	Qty	Model
(2)	955 521 176 06 PCB	steel grey	right	1	PR:N5U,Q2J, 4A0
	955 521 176 06 PCC	Black			
	955 521 182 06	Backrest cover Comfort seat without heating			
(2)	955 521 182 06 PCA	Sand beige	left	1	PR:N7D,Q2J, 4A0
	955 521 182 06 PCB	steel grey			
	955 521 182 06 PCC	Black			
(2)	955 521 177 06	Backrest cover Comfort seat without heating	right	1	PR:N7D,Q2J, 4A0
	955 521 177 06 PCA	Sand beige			
	955 521 177 06 PCB	steel grey			
(2)	955 521 177 06 PCC	Black	left	1	PR:N7D,Q2J, 4A0
	955 521 174 06	Backrest cover Comfort seat without heating			
	955 521 174 06 PCA	Sand beige			
(2)	955 521 174 06 PCB	steel grey	right	1	PR:N7D,Q2J, 4A0
	955 521 174 06 PCC	Black			
	955 521 173 07	Backrest cover sports seat with heating			
(2)	955 521 173 07 PCA	Sand beige	left	1	PR:N5U,4A3, 4A4,Q1D
	955 521 173 07 PCB	steel grey			
	955 521 173 07 PCC	Black			
(2)	955 521 172 07	Backrest cover sports seat with heating	right	1	PR:N5U,4A3, 4A4,Q1D
	955 521 172 07 PCA	Sand beige			
	955 521 172 07 PCB	steel grey			
(2)	955 521 172 07 PCC	Black	left	1	PR:N5U,Q1D, 4A0
	955 521 191 06	Backrest cover sports seat without heating			
	955 521 191 06 PCA	Sand beige			
(2)	955 521 191 06 PCB	steel grey	right	1	PR:N5U,Q1D, 4A0
	955 521 191 06 PCC	Black			
	955 521 192 06	Backrest cover sports seat without heating			
(2)	955 521 192 06 PCA	Sand beige	left	1	PR:N7D,4A3, 4A4
	955 521 192 06 PCB	steel grey			
	955 521 192 06 PCC	Black			
(2)	955 521 187 07	Backrest cover Comfort seat with heating	right	1	PR:N7D,4A3, 4A4
	955 521 187 07 PCA	Sand beige			
	955 521 187 07 PCB	steel grey			
(2)	955 521 187 07 PCC	Black	left	1	PR:N5U,4A3, 4A4
	955 521 185 07	Backrest cover Comfort seat with heating			
	955 521 185 07 PCA	Sand beige			
(2)	955 521 185 07 PCB	steel grey	right	1	PR:N7D,4A3, 4A4
	955 521 185 07 PCC	Black			
	955 521 178 07	Backrest cover Comfort seat with heating			
(2)	955 521 178 07 PCA	Sand beige	left	1	PR:N5U,4A3, 4A4
	955 521 178 07 PCB	steel grey			
	955 521 178 07 PCC	Black			
(2)	955 521 186 07	Backrest cover	right	1	PR:N5U,4A3,

Model: 9PA108 Model life 2007>>2010

Pos	Part Number	Description	Remark	Qty	Model
		Comfort seat with heating			4A4
	955 521 186 07 PCA	Sand beige			
	955 521 186 07 PCB	steel grey			
	955 521 186 07 PCC	Black			
(2)	955 521 179 07	Backrest cover Comfort seat with heating	left	1	PR:N1X,4A3, 4A4
	955 521 179 07 PBW	Sand beige			
	955 521 179 07 PBX	steel grey			
	955 521 179 07 PBY	Black			
(2)	955 521 183 07	Backrest cover Comfort seat with heating	right	1	PR:N1X,4A3, 4A4
	955 521 183 07 PBW	Sand beige			
	955 521 183 07 PBX	steel grey			
	955 521 183 07 PBY	Black			
(2)	955 521 180 07	Backrest cover Comfort seat with heating	left	1	PR:N7F,4A3, 4A4
	955 521 180 07 PBW	Sand beige			
	955 521 180 07 PBX	steel grey			
	955 521 180 07 PBY	Black			
(2)	955 521 184 07	Backrest cover Comfort seat with heating	right	1	PR:N7F,4A3, 4A4
	955 521 184 07 PBW	Sand beige			
	955 521 184 07 PBX	steel grey			
	955 521 184 07 PBY	Black			
(2)	955 521 171 09	Backrest cover Comfort seat without heating	left	1	PR:N5Y,Q2J, 4A0
	955 521 171 09 WAG	chestnut brown			
(2)	955 521 170 09	Backrest cover Comfort seat without heating	right	1	PR:N5Y,Q2J, 4A0
	955 521 170 09 WAG	chestnut brown			
(2)	955 521 171 10	Backrest cover Comfort seat with heating	left	1	PR:N5Y,4A3, 4A4
	955 521 171 10 WAG	chestnut brown			
(2)	955 521 170 10	Backrest cover Comfort seat with heating	right	1	PR:N5Y,4A3, 4A4
	955 521 170 10 WAG	chestnut brown			
(2)	955 521 193 01	Backrest cover sports seat Alcantara without heating D - MJ 2008>>	left	1	PR:N2S,Q1J, 4A0
	955 521 193 01 XKR	Black			
	955 521 193 01 XKS	Sand beige			
	955 521 193 01 XKT	steel grey			
(2)	955 521 194 01	Backrest cover sports seat Alcantara without heating D - MJ 2008>>	right	1	PR:N2S,Q1J, 4A0
	955 521 194 01 XKR	Black			
	955 521 194 01 XKS	Sand beige			
	955 521 194 01 XKT	steel grey			
(2)	955 521 195 01	Backrest cover sports seat	left	1	PR:N2S,4A3, 4A4,Q1J,E0W

Model: 9PA108 Model life 2007>>2010

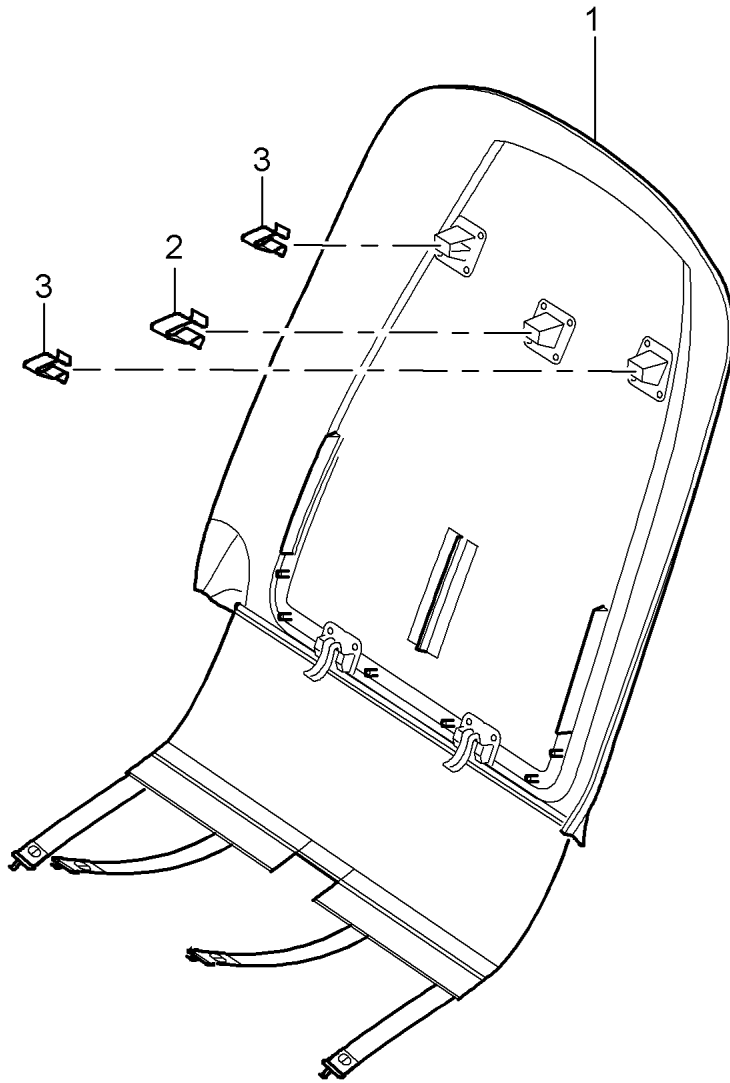
Pos	Part Number	Description	Remark	Qty	Model
		Alcantara with heating D - MJ 2008>>			
	955 521 195 01 XKR	Black			
	955 521 195 01 XKS	Sand beige			
	955 521 195 01 XKT	steel grey			
(2)	955 521 196 01	Backrest cover sports seat Alcantara with heating D - MJ 2008>>	right	1	PR:N2S,4A3, 4A4,Q1J,E0W
	955 521 196 01 XKR	Black			
	955 521 196 01 XKS	Sand beige			
	955 521 196 01 XKT	steel grey			
(2)	955 521 197 00	Backrest cover sports seat two-colour with heating D - MJ 2008>>	right	1	PR:N1M,Q1J, 4A3,4A4
	955 521 197 00 ZBX	Black/Havanna			
	955 521 197 00 ZBY	Black/Steel Grey			
(2)	955 521 198 00	Backrest cover sports seat two-colour with heating D - MJ 2008>>	left	1	PR:N1M,Q1J, 4A3,4A4
	955 521 198 00 ZBX	Black/Havanna			
	955 521 198 00 ZBY	Black/Steel Grey			
(2)	955 521 199 00	Backrest cover sports seat two-colour without heating D - MJ 2008>>	left	1	PR:N1M,Q1J, 4A0
	955 521 199 00 ZBX	Black/Havanna			
	955 521 199 00 ZBY	Black/Steel Grey			
(2)	955 521 200 00	Backrest cover sports seat two-colour without heating D - MJ 2008>>	right	1	PR:N1M,Q1J, 4A0
	955 521 200 00 ZBX	Black/Havanna			
	955 521 200 00 ZBY	Black/Steel Grey			
(2)	955 521 201 00	Backrest cover sports seat D - MJ 2008>>	left	1	PR:N1P,Q1J, 4A0
	955 521 201 00 WAG	chestnut brown			
(2)	955 521 202 00	Backrest cover sports seat D - MJ 2008>>	right	1	PR:N1P,Q1J, 4A0
	955 521 202 00 WAG	chestnut brown			
(2)	955 521 203 00	Backrest cover sports seat D - MJ 2008>>	left	1	PR:N1P,Q1J, 4A3,4A4
	955 521 203 00 WAG	chestnut brown			
(2)	955 521 204 00	Backrest cover sports seat D - MJ 2008>>	right	1	PR:N1P,Q1J, 4A3,4A4
	955 521 204 00 WAG	chestnut brown			
3	955 521 523 01	Foam part	left	1	PR:Q1D
(3)	955 521 524 01	Foam part Seat cushion sports seat	right	1	PR:Q1D
(3)	955 521 529 00	Foam part	left	1	PR:Q1J

Model: 9PA108 Model life 2007>>2010

Pos	Part Number	Description	Remark	Qty	Model
(3)	955 521 530 00	D - MJ 2008>> Foam part Seat cushion sports seat	right	1	PR:Q1J
(3)	955 521 527 01	D - MJ 2008>> Foam part	left	1	PR:Q2J
(3)	955 521 528 01	Foam part Seat cushion Comfort seat	right	1	PR:Q2J
4	955 521 575 03	Foam part	left	1	PR:Q1D
(4)	955 521 576 03	Foam part backrest sports seat	right	1	PR:Q1D
(4)	955 521 579 01	Foam part	left	1	PR:Q2J,9WC
(4)	955 521 580 01	Foam part backrest Comfort seat	right	1	PR:Q2J,9WC
(4)	955 521 581 00	Foam part D - MJ 2008>>	left	1	PR:Q2J,9WM
(4)	955 521 582 00	Foam part backrest Comfort seat	right	1	PR:Q2J,9WM
(4)	955 521 583 00	D - MJ 2008>> Foam part	left	1	PR:Q1J,9WC
(4)	955 521 584 00	D - MJ 2008>> Foam part backrest sports seat	right	1	PR:Q1J,9WC
(4)	955 521 585 00	D - MJ 2008>> Foam part	left	1	PR:Q1J,9WM
(4)	955 521 586 00	D - MJ 2008>> Foam part backrest sports seat	right	1	PR:Q1J,9WM
		D - MJ 2008>>			

Model: 9PA108

Model life 2007>>2010

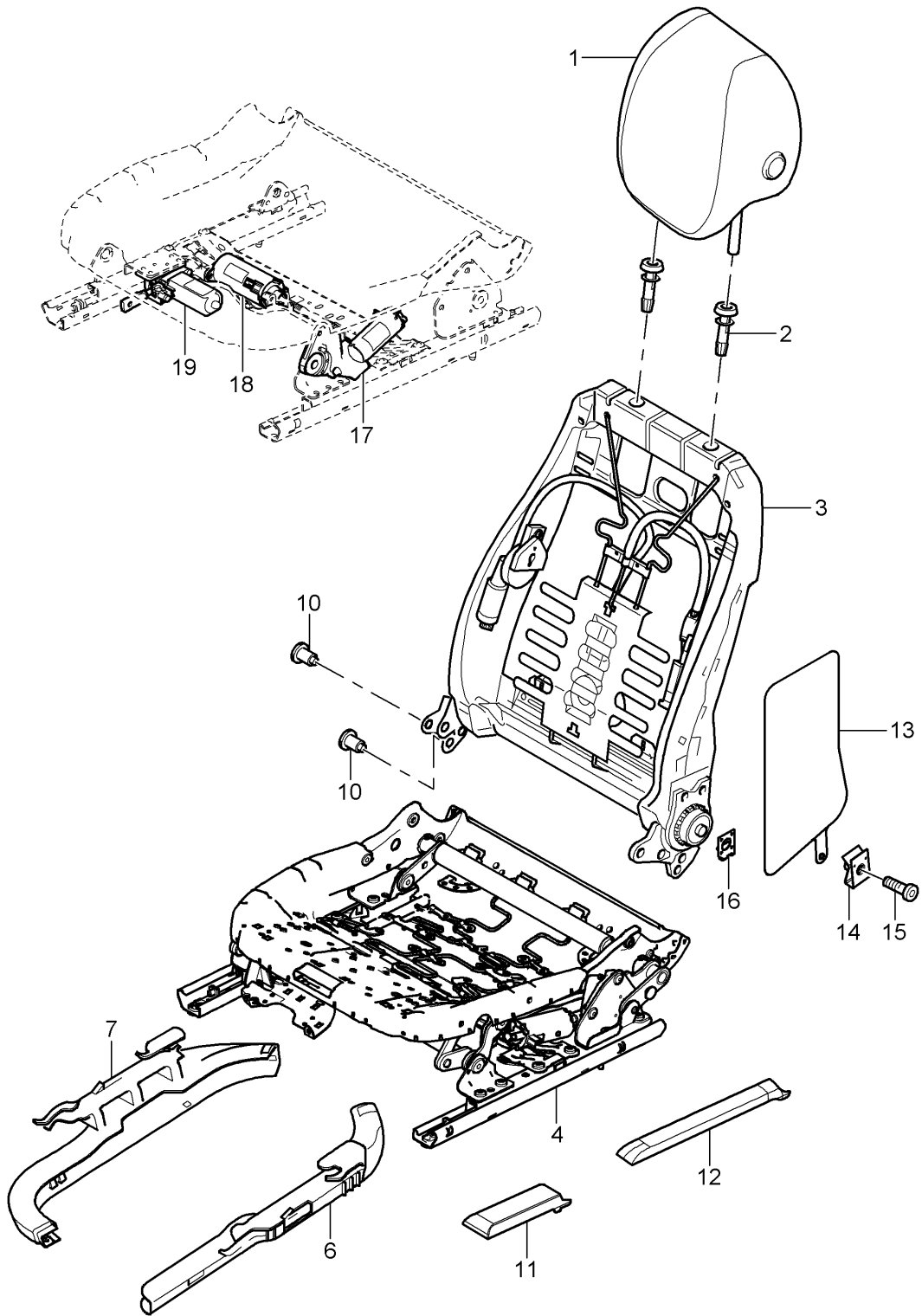


Model: 9PA108 Model life 2007>>2010

Pos	Part Number	Description	Remark	Qty	Model
1	955 521 081 02	Cover Backrest shell Cover D >> - MJ 2007	left a. right	1	PR:Q2J
	955 521 081 02 5Q2	Black			
	955 521 081 02 5R3	steel grey			
	955 521 081 02 5S4	Sand beige			
	955 521 081 02 K68	chestnut brown			
(1)	955 521 081 03	Cover Backrest shell D - MJ 2008>>	left a. right	1	PR:Q2J,Q1J
	955 521 081 03 5Q2	Black			
	955 521 081 03 5R3	steel grey			
	955 521 081 03 5S4	Sand beige			
	955 521 081 03 K68	chestnut brown			
	955 521 081 03 5Y5	Palm green			
(1)	955 521 087 02	Cover Backrest shell D >> - MJ 2007	left a. right	1	PR:Q1D
	955 521 087 02 5Q2	Black			
	955 521 087 02 5R3	steel grey			
	955 521 087 02 5S4	Sand beige			
	955 521 087 02 K68	chestnut brown			
(1)	955 521 087 03	Cover Backrest shell D - MJ 2008>>	left a. right	1	PR:Q1D
	955 521 087 03 5Q2	Black			
	955 521 087 03 5R3	steel grey			
	955 521 087 03 5S4	Sand beige			
	955 521 087 03 K68	chestnut brown			
	955 521 087 03 5Y5	Palm green			
2	000 043 207 17	Clip	center	1	
3	000 043 207 18	Backrest shell Clip Backrest shell	outer	2	

Model: 9PA108

Model life 2007>>2010



Model: 9PA108 Model life 2007>>2010

Pos	Part Number	Description	Remark	Qty	Model
1	955 521 815 06	Backrest frame frame for seat Head restr. with cover (leath)	left	1	PR:N1X,N7F, 3J4
	955 521 815 06 SXG	black/black			
	955 521 815 06 SXH	Steel grey/steel grey			
	955 521 815 06 SXJ	Sand beige/sand beige			
(1)	955 521 816 06	Head restr. with cover (leath)	right	1	PR:N1X,N7F, 3J4
	955 521 816 06 SXG	black/black			
	955 521 816 06 SXH	Steel grey/steel grey			
	955 521 816 06 SXJ	Sand beige/sand beige			
(1)	955 521 819 00	Head restr. with cover (leath)	left	1	PR:N1X,N7F, 3J7
	955 521 819 00 SXG	black/black			
	955 521 819 00 SXH	Steel grey/steel grey			
	955 521 819 00 SXJ	Sand beige/sand beige			
(1)	955 521 820 00	Head restr. with cover (leath) Porsche crest	right	1	PR:N1X,N7F, 3J7
	955 521 820 00 SXG	black/black			
	955 521 820 00 SXH	Steel grey/steel grey			
	955 521 820 00 SXJ	Sand beige/sand beige			
(1)	955 521 817 06	Head restraint	left	1	PR:N1M,N2S, N5U,N7D,3J4
	955 521 817 06 SXL	black/black			
	955 521 817 06 SXM	Steel grey/steel grey			
	955 521 817 06 SXN	Sand beige/sand beige			
(1)	955 521 818 06	Head restraint	right	1	PR:N1M,N2S, N5U,N7D,3J4
	955 521 818 06 SXL	black/black			
	955 521 818 06 SXM	Steel grey/steel grey			
	955 521 818 06 SXN	Sand beige/sand beige			
(1)	955 521 821 00	Head restraint	left	1	PR:N1M,N2S, N5U,N7D,3J7
	955 521 821 00 SXL	black/black			
	955 521 821 00 SXM	Steel grey/steel grey			
	955 521 821 00 SXN	Sand beige/sand beige			
(1)	955 521 822 00	Head restraint	right	1	PR:N1M,N2S, N5U,N7D,3J7
	955 521 822 00 SXL	Porsche crest black/black			
	955 521 822 00 SXM	Steel grey/steel grey			
	955 521 822 00 SXN	Sand beige/sand beige			
(1)	955 521 823 00	Head restraint	left	1	PR:N1P,N5Y, 3J4
	955 521 823 00 WAG	chestnut brown			
(1)	955 521 824 00	Head restraint	right	1	PR:N1P,N5Y, 3J4
	955 521 824 00 WAG	chestnut brown			
(1)	955 521 823 10	Head restraint Porsche crest	left	1	PR:N1P,N5Y, 3J7
	955 521 823 10 WAG	chestnut brown			
(1)	955 521 824 10	Head restraint Porsche crest	right	1	PR:N1P,N5Y, 3J7
	955 521 824 10 WAG	chestnut brown			
2	955 521 825 01	guide sleeve Head restraint		1	
		without:			
		Key			
	955 521 825 01 9B9	Satin black			
	955 521 825 01 6C6	Sand beige			
	955 521 825 01 7A8	steel grey			
	955 521 825 01 K40	chestnut brown			

Model: 9PA108 Model life 2007>>2010

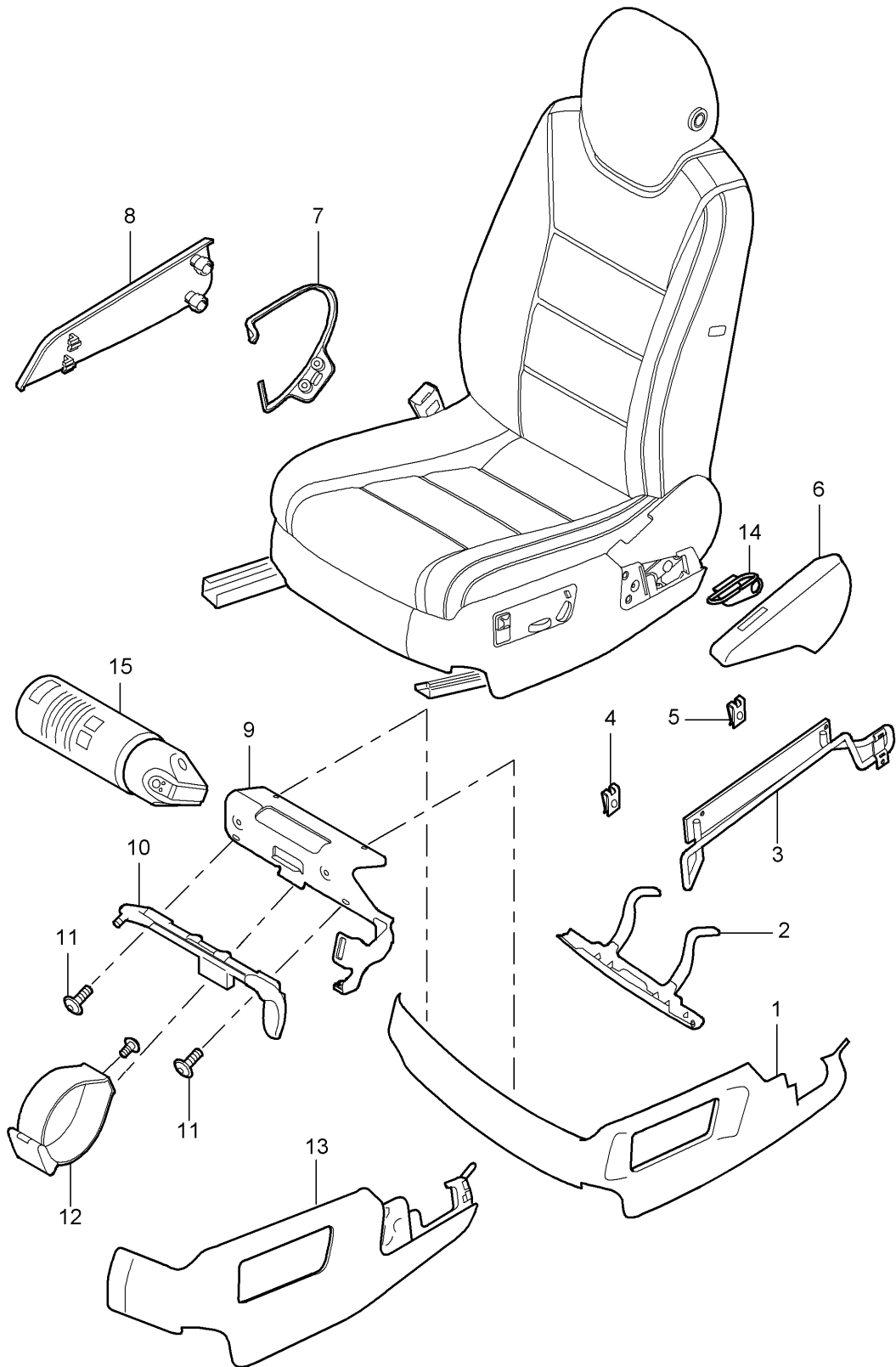
Pos	Part Number	Description	Remark	Qty	Model
(2)	955 521 826 01	guide sleeve Head restraint		1	
		with:			
		Key			
	955 521 826 01 9B9	Satin black			
	955 521 826 01 6C6	Sand beige			
	955 521 826 01 7A8	steel grey			
	955 521 826 01 K40	chestnut brown			
3	955 521 835 01	backrest frame	left	1	PR: 3L4, L0R
(3)	955 521 835 01	backrest frame Electric	left	1	PR: 3L5
(3)	955 521 836 01	backrest frame	right	1	PR: 3L4, L0L
(3)	955 521 836 01	backrest frame Electric	right	1	PR: 3L5
(3)	955 521 841 02	backrest frame	left	1	PR: L0L, 3L4
(3)	955 521 841 02	backrest frame Electric	left	1	PR: 3PN
(3)	955 521 842 02	backrest frame Electric	right rhd	1	PR: 3L4, L0R
(3)	955 521 842 02	backrest frame Electric	right	1	PR: 3PN
(3)	955 521 842 03	backrest frame Electric	right	1	PR: 3PN, Q2J
(3)	955 521 843 00	backrest frame Electric	left	1	PR: Q1J, 3PN
(3)	955 521 844 00	D - MJ 2008>> backrest frame Electric	right	1	PR: Q1J, 3PN
4	955 521 851 06	D - MJ 2008>> frame for seat Electric	left	1	PR: 3PN
4	955 521 851 06	Memory frame for seat Electric	left lhd	1	PR: 3L4, L0L
(4)	955 521 852 06	Memory frame for seat	right	1	PR: 3PN, 4UD, 4UE, 4UQ
(4)	955 521 852 06	frame for seat Electric	right rhd	1	PR: 3L4, L0R
(4)	955 521 853 06	Memory frame for seat Electric	left	1	PR: 3L5
(4)	955 521 853 06	frame for seat Electric	left rhd	1	PR: 3L4, L0R
(4)	955 521 854 06	frame for seat	right	1	PR: 3L5, 4UD, 4UE, 4UQ
(4)	955 521 854 06	frame for seat Electric	right rhd	1	PR: 3L4, 4UD, 4UE, L0R, 4UQ
6	955 521 911 00	Cable guide	left	1	
7	955 521 913 01	Cable guide	right	1	PR: 3L4, 3L5, 3PN
10	N 910 146 01	Hex socket head locating bolt Mount		4	
11	955 521 887 04	backrest Cover Spiral	left	1	PR: 3L4, 3L5, 3PN
		Seat adjuster			
	955 521 887 04 9B9	Satin black			
	955 521 887 04 6C6	Sand beige			
	955 521 887 04 7A8	steel grey			
	955 521 887 04 K40	chestnut brown			
(11)	955 521 888 04	Cover	right	1	PR: 3L4, 3L5,

Model: 9PA108 Model life 2007>>2010

Pos	Part Number	Description	Remark	Qty	Model
		Spiral Seat adjuster			3PN
	955 521 888 04 9B9	Satin black			
	955 521 888 04 6C6	Sand beige			
	955 521 888 04 7A8	steel grey			
	955 521 888 04 K40	chestnut brown			
12	955 521 889 01	Cover Spiral Seat adjuster Long	right	1	PR: 3L4, 3L5, 3PN
	955 521 889 01 9B9	Satin black			
	955 521 889 01 6C6	Sand beige			
	955 521 889 01 7A8	steel grey			
	955 521 889 01 K40	chestnut brown			
13	955 521 901 04	Side airbag unit D >> - MJ 2008	left	1	
(13)	955 521 901 05	Side airbag unit D >> - MJ 2009	left	1	
(13)	955 521 901 06	Side airbag unit D - MJ 2010>>	left	1	
(13)	955 521 902 05	Side airbag unit D >> - MJ 2009	right	1	PR: 4UB, 4UD, 4UE, 4UQ
(13)	955 521 902 06	Side airbag unit D - MJ 2010>>	right	1	PR: 4UB, 4UD, 4UE, 4UQ
(13)	955 521 903 01	Side airbag unit D >> - MJ 2009	right	1	
(13)	955 521 903 02	Side airbag unit D - MJ 2010>>	right	1	
14	N 903 682 03	Speed nut Mount		1	
15	N 106 094 01	Airbag Semi round bolt (combi) with hexagon socket head Mount		1	
16	955 521 860 00	Airbag Retaining clip		1	
17	955 624 322 00	Securing bars backrest Electric motor	right	1	
(17)	955 624 321 00	Seat adjuster Height adjustment Electric motor	left	1	
18	955 624 325 00	Seat adjuster Height adjustment Electric motor	left	1	
(18)	955 624 326 00	Seat adjuster Lengthways Electric motor	right	1	
19	955 624 324 00	Seat adjuster Lengthways Electric motor	right	1	
(19)	955 624 323 00	Seat adjuster Tilt angle Electric motor	left	1	
		Seat adjuster Tilt angle			

Model: 9PA108

Model life 2007>>2010



Model: 9PA108 Model life 2007>>2010

Pos	Part Number	Description	Remark	Qty	Model
1	955 521 317 07	Linings Trim Front seat Trim (drivers side) D - MJ 2007>> 955 521 317 07 K40 chestnut brown 955 521 317 07 9B9 Satin black 955 521 317 07 6C6 Sand beige 955 521 317 07 7A8 steel grey	left	1	PR: 3L4, 3L5, 3PN, 6A0, 6A4, 6A5
(1)	955 521 318 07	Trim (passenger side) Front seat 955 521 318 07 K40 chestnut brown 955 521 318 07 9B9 Satin black 955 521 318 07 6C6 Sand beige 955 521 318 07 7A8 steel grey	right	1	PR: 3L4, 3L5, 3PN
2	955 521 225 00	Retainer for trim	front	1	PR: 6A0, 6A4, 6A5
-	N 902 876 01	Pop rivet Bracket	front	4	
3	955 521 327 01	Retainer for trim	left side	1	PR: 3L4, 3L5, 3PN
(3)	955 521 327 02	Retainer for trim	right side	1	PR: 3L4, 3L5, 3PN
4	N 903 682 03	Speed nut M 5		1	
5	N 910 558 02	Speed nut Bracket Trim M 5		1	PR: 3L4, 3L5, 3PN
6	955 521 383 00	Trim backrest (drivers side) 955 521 383 00 K40 chestnut brown 955 521 383 00 01C Satin black 955 521 383 00 6C6 Sand beige 955 521 383 00 7A8 steel grey	left	1	PR: 3L4, 3L5, 3PN
(6)	955 521 387 00	Trim backrest tunnel (passenger side) 955 521 387 00 K40 chestnut brown 955 521 387 00 6C6 Sand beige 955 521 387 00 7A8 steel grey 955 521 387 00 01C Satin black	left	1	
7	955 521 386 00	Trim backrest (passenger side) 955 521 386 00 01C Satin black 955 521 386 00 K40 chestnut brown 955 521 386 00 6C6 Sand beige 955 521 386 00 7A8 steel grey	right	1	PR: 3L4, 3L5, 3PN
(7)	955 521 380 00	Trim backrest (drivers side) 955 521 380 00 K40 chestnut brown 955 521 380 00 01C Satin black 955 521 380 00 6C6 Sand beige 955 521 380 00 7A8 steel grey	right	1	
8	955 521 347 00	Cover cap Belt 955 521 347 00 01C Satin black	left	1	PR: 3L4, 3L5, 3PN

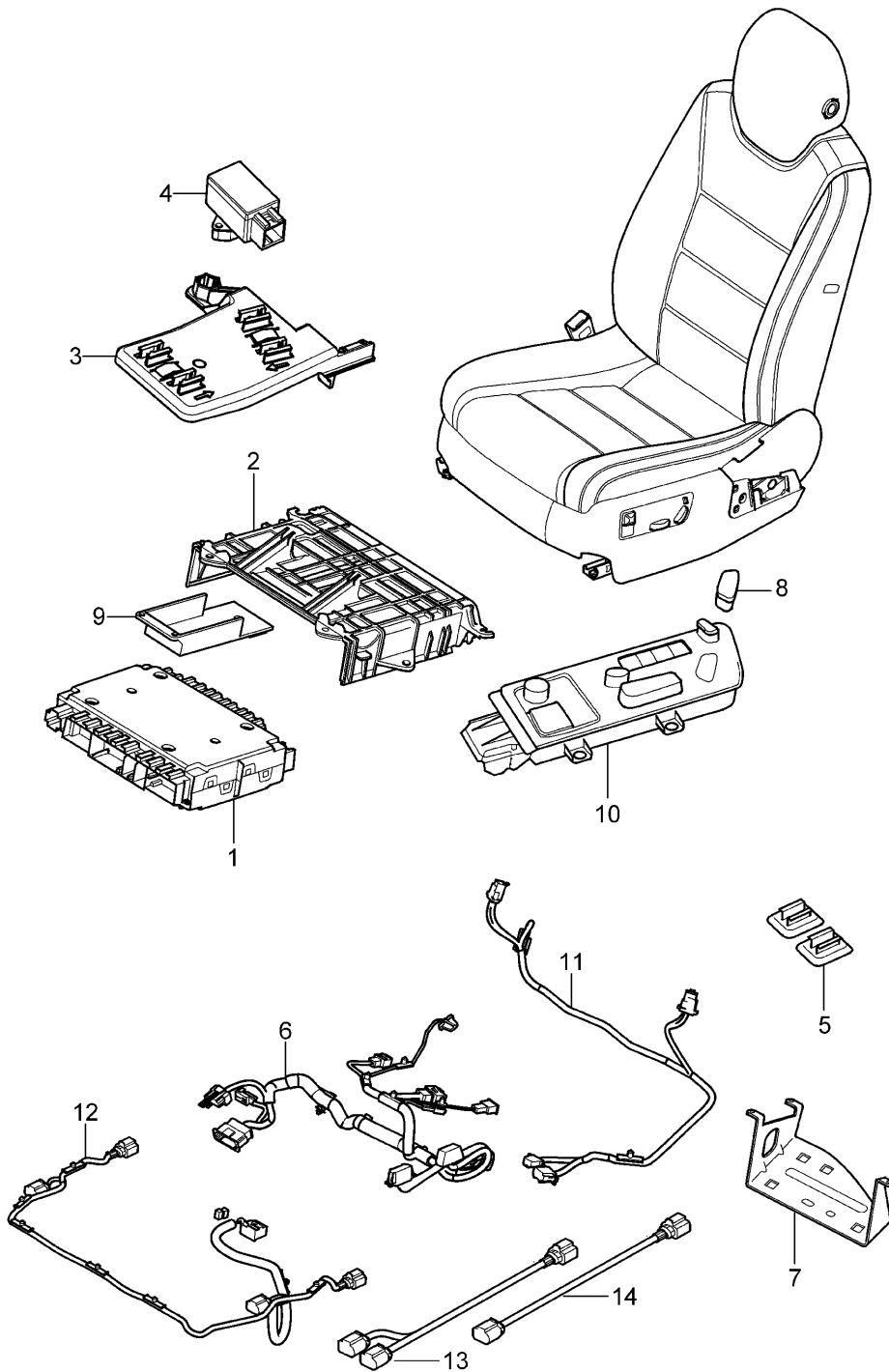
Model: 9PA108

Model life 2007>>2010

Pos	Part Number	Description	Remark	Qty	Model	
(8)	955 521 347 00 K40	chestnut brown	right	1	PR: 3L4, 3L5, 3PN	
	955 521 347 00 6C6	Sand beige				
	955 521 347 00 7A8	steel grey				
	955 521 348 00	Cover cap				
		Belt				
9	955 521 348 00 K40	chestnut brown	front	1	PR: 6A7	
	955 521 348 00 01C	Satin black				
	955 521 348 00 6C6	Sand beige				
	955 521 348 00 7A8	steel grey				
10	955 521 390 01	Retainer for trim		1	PR: 6A7	
11	N 907 809 01	Support		1	PR: 6A7	
		Fire extinguishers		2	PR: 6A7	
		Oval hexagon socket head bolt				
12	955 521 394 03	Mount		1	PR: 6A7	
		Bracket				
		Fire extinguishers				
13	955 521 319 07	tensioning strap	left	1	PR: 3L4, 3L5, 3PN, 6A7	
		Fire extinguishers				
14	955 521 311 00	Trim	left	1	PR: 3L4, 3L5, 3PN	
		(drivers side)				
		Front seat				
		955 521 319 07 K40				chestnut brown
		955 521 319 07 9B9				Satin black
15	955 521 312 00	955 521 319 07 6C6	right	1	PR: 3L4, 3L5, 3PN	
		955 521 319 07 7A8				steel grey
		Belt hook				
15	955 860 277 00	Guide		1		
		Belt				
		Belt hook				
15	955 860 277 00	Guide		1		
		Belt				
15	955 860 277 00	Fire extinguishers		1		
		Information available				

Model: 9PA108

Model life 2007>>2010



Model: 9PA108 Model life 2007>>2010

Pos	Part Number	Description	Remark	Qty	Model
1	955 618 750 03	Switch Seat frame Wiring looms Control unit for seat occupied sensor (passenger side)		1	PR:4UQ
(1)	955 618 740 00	Control unit Seating position control		1	PR:3PN,3L4
2	955 521 683 00	Retainer for control units seat occupied recognition		1	PR:4UQ
3	955 521 732 00	Bracket Control unit heater		1	PR:L0L,4A3, 4A4
4	955 618 742 03	Control unit for seat heating D >> - MJ 2007		1	PR:4A3,4A4
(4)	955 618 742 04	Control unit for seat heating D - MJ 2008>>		1	PR:4A3,4A4
5	955 618 735 00	Adapter plug Control unit		1	PR:G0L
6	955 612 754 04	Wire set Seat adjuster Memory Discontinued part	left	1	PR:L0L,4A0, 3PN,3L4
(6)	955 612 754 05	Wire set Seat adjuster Memory	left	1	PR:L0L,4A0, 3PN,3L4
(6)	955 612 755 04	Wire set Seat adjuster Memory Discontinued part		1	PR:L0L,3PN, 3L4,4A4,4A3
(6)	955 612 755 05	Wire set Seat adjuster Memory		1	PR:L0L,3PN, 3L4,4A4,4A3
(6)	955 612 756 02	Wire set Seat adjuster backrest Discontinued part		1	PR:3PN,4UB, 4UD,4UE,L0L, 3L4
(6)	955 612 756 03	Wire set Seat adjuster backrest		1	PR:3PN,4UB, 4UD,4UE,L0L, 3L4
(6)	955 612 757 04	Wire set Seat adjuster Discontinued part		1	PR:L0L,3PN, 4A0
(6)	955 612 757 05	Wire set Seat adjuster		1	PR:L0L,3PN, 4A0
(6)	955 612 758 04	Wire set Seat adjuster Discontinued part		1	PR:L0L,3PN, 4A3,4A4
(6)	955 612 758 05	Wire set Seat adjuster		1	PR:L0L,3PN, 4A3,4A4
(6)	955 612 761 04	Wire set Seat adjuster Seat surface Discontinued part		1	PR:L0R,3L4, 4A3,4A4,3L5
(6)	955 612 761 05	Wire set Seat adjuster Seat surface		1	PR:L0R,3L4, 4A3,4A4,3L5
(6)	955 612 763 04	Wire set Seat adjuster Discontinued part	left a. right	1	PR:L0R,3L4, 3L5,4A0
(6)	955 612 763 05	Wire set	left a. right	1	PR:L0R,3L4,

Model: 9PA108 Model life 2007>>2010

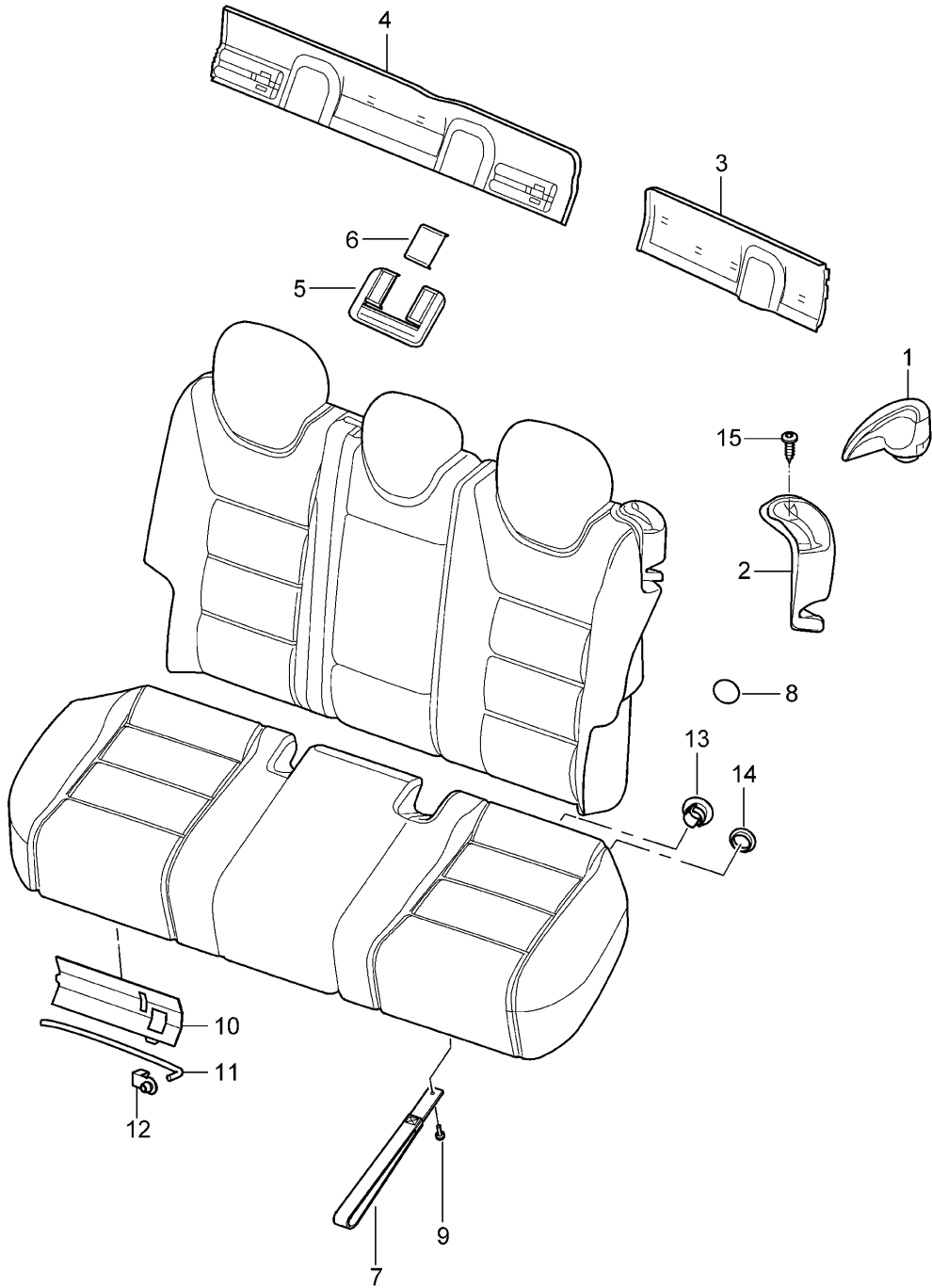
Pos	Part Number	Description	Remark	Qty	Model
(6)	955 612 764 04	Seat adjuster Wire set	left a. right	1	3L5, 4A0 PR: 3L4, 4A3, L0L, 4A4, 3L5
(6)	955 612 764 05	Seat adjuster Discontinued part Wire set	left a. right	1	PR: 3L4, 4A3, L0L, 4A4, 3L5
(6)	955 612 766 04	Seat adjuster Wire set	left a. right	1	PR: L0L, 3L4, 3L5, 4A0
(6)	955 612 766 05	Seat adjuster Discontinued part Wire set	left a. right	1	PR: L0L, 3L4, 3L5, 4A0
(6)	955 612 771 03	Seat adjuster Discontinued part Wire set		1	PR: L0R, 3PN, 4A0
(6)	955 612 771 04	Seat adjuster Discontinued part Wire set		1	PR: L0R, 3PN, 4A0
(6)	955 612 773 03	Seat adjuster Discontinued part Wire set	left	1	PR: L0R, 3PN, 4A3, 4A4
(6)	955 612 773 04	Seat adjuster Discontinued part Wire set	left	1	PR: L0R, 3PN, 4A3, 4A4
(6)	955 612 772 03	Seat adjuster Discontinued part Wire set	right	1	PR: L0R, 3L4, 3PN, 4A3, 4A4
(6)	955 612 772 04	Seat adjuster Discontinued part Wire set	right	1	PR: L0R, 3L4, 3PN, 4A3, 4A4
(6)	955 612 774 03	Seat adjuster Discontinued part Wire set	right	1	PR: L0R, 3L4, 3PN, 4A0
(6)	955 612 774 04	Seat adjuster Discontinued part Wire set	right	1	PR: L0R, 3L4, 3PN, 4A0
7	955 521 665 05	Retaining plate push-on connector Electric		1	PR: 3L4, 3L5, 3PN
(7)	955 521 668 05	Retaining plate push-on connector Electric		1	PR: 3L4, 3L5
8	955 613 713 10	knob Adjustment Lumbar		1	
9	955 613 713 10 01C 955 521 731 00	Satin black Cover for control unit seat occupied recognition		1	PR: 4UQ
10	955 613 713 00	Switch Seat adjuster	left	1	PR: 3L5, L0L, L0R
(10)	955 613 713 00 01C 955 613 714 00	Satin black Switch Seat adjuster	right	1	PR: 3L5, L0R
(10)	955 613 714 00 01C 955 613 714 00	Satin black Switch Seat adjuster	right	1	PR: L0L
(10)	955 613 714 00 01C 955 613 715 00	Satin black Switch Seat adjuster	left	1	PR: 3PN
(10)	955 613 715 00 01C 955 613 716 00	Satin black Switch Seat adjuster	right	1	PR: 3PN
(10)	955 613 716 00 01C 955 613 717 00	Satin black Switch Seat adjuster	left lhd	1	PR: L0L, 3L4
	955 613 717 00 01C	Satin black			

Model: 9PA108 Model life 2007>>2010

Pos	Part Number	Description	Remark	Qty	Model
(10)	955 613 718 00	Switch Seat adjuster	right lhd	1	PR:L0L,3L4
	955 613 718 00 01C	Satin black			
(10)	955 613 718 00	Switch SITZVERSTELLER	RECHTS RLKG	1	PR:L0R,3L4
	955 613 718 00 01C	Satin black			
11	955 612 768 02	Wire set backrest	left a. right	1	PR:L0R,3L4, 3L5
(11)	955 612 768 06	Wire set backrest	right	1	PR:3PN,4UB, 4UD,4UE,L0R, 3L4
12	955 612 779 00	Wire set seat occupied recognition		1	PR:L0L,4UQ
13	955 612 762 00	Wire set Adapter plug Side airbag unit	right	1	
(13)	955 612 765 00	Wire set Adapter plug Side airbag unit	left	1	
(13)	955 612 767 00	Wire set Adapter plug Side airbag unit		1	PR:L0L
14	955 612 770 00	Wire set backrest Video Audio		1	PR:L0R,9WM
(14)	955 612 769 00	D - MJ 2008>> Wire set backrest Video Audio D - MJ 2008>>		1	PR:L0R,9WM

Model: 9PA108

Model life 2007>>2010



Model: 9PA108 Model life 2007>>2010

Pos	Part Number	Description	Remark	Qty	Model
1	955 522 651 09	Back seat backrest Accessories Actuating lever lever for folding backrest	left	1	
	955 522 651 09 9B9	Satin black			
	955 522 651 09 6C6	Sand beige			
	955 522 651 09 7A8	steel grey			
(1)	955 522 652 09	Actuating lever lever for folding backrest	right	1	
	955 522 652 09 9B9	Satin black			
	955 522 652 09 6C6	Sand beige			
	955 522 652 09 7A8	steel grey			
2	955 522 673 09	Trim Actuating lever	left	1	
	955 522 673 09 9B9	Satin black			
	955 522 673 09 6C6	Sand beige			
	955 522 673 09 7A8	steel grey			
(2)	955 522 672 09	Trim Actuating lever	right	1	
	955 522 672 09 9B9	Satin black			
	955 522 672 09 6C6	Sand beige			
	955 522 672 09 7A8	steel grey			
3	955 522 681 00	Trim Upper part Backrest	left	1	
	955 522 681 00 9B9	Satin black			
	955 522 681 00 6C6	Sand beige			
	955 522 681 00 7A8	steel grey			
4	955 522 680 00	Trim Upper part Backrest	right	1	
	955 522 680 00 01C	Satin black			
	955 522 680 00 6C6	Sand beige			
	955 522 680 00 7A8	steel grey			
5	955 522 661 00	Trim Frame Seat belt		1	
	955 522 661 00 K40	chestnut brown			
	955 522 661 00 01C	Satin black			
	955 522 661 00 6C6	Sand beige			
	955 522 661 00 7A8	steel grey			
6	955 522 660 00	Trim Frame Seat belt		1	
	955 522 660 00 K40	chestnut brown			
	955 522 660 00 01C	Satin black			
	955 522 660 00 6C6	Sand beige			
	955 522 660 00 7A8	steel grey			
8	955 522 694 01	Button Upper part		4	
	955 522 694 01 71N	anthracite			
(8)	955 522 695 00	Button Lower part		4	
	955 522 695 00 71N	anthracite			
(8)	958 521 761 11	repair set knob child seat Identification: >> >>		4	
	958 521 761 11 95R	Grey			
9	N 902 876 01	Pop rivet Pull loop		2	
10	955 522 670 00	Cover panel	left	1	
(10)	955 522 670 02	Cover panel	right	1	

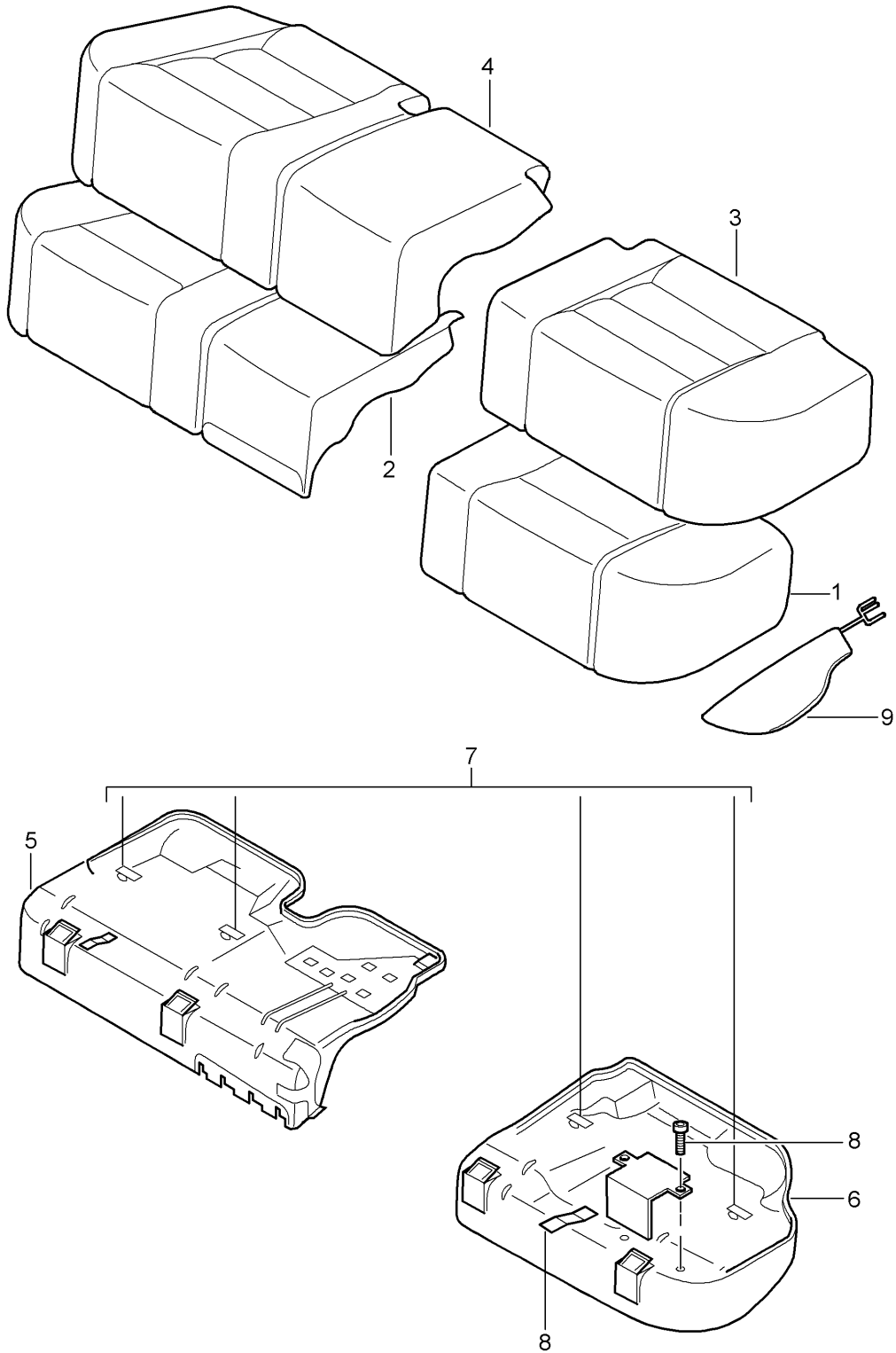
Model: 9PA108

Model life 2007>>2010

Pos	Part Number	Description	Remark	Qty	Model
11	955 522 670 04	Release Pull-type release		1	
12	955 522 670 06	Seat cushion Retaining clip		1	
13	955 522 697 01	Release Push-on sleeve		1	PR:QA0
		Upper part Support			
	955 522 697 01 B41	Black			
14	955 522 698 01	Securing ring		1	
		Lower part Support			
		Head restraint Discontinued part			
	955 522 698 01 B41	Black			
14	955 522 698 00	Securing ring		1	
		Lower part Support			
		Head restraint			
15	N 106 166 01	countersunk bolt		1	
		Mount Trim Actuating lever			

Model: 9PA108

Model life 2007>>2010



Model: 9PA108

Model life 2007>>2010

Pos	Part Number	Description	Remark	Qty	Model
1	955 522 055 01	Foam part Seat surface Cover	left	1	PR:Q1D
(1)	955 522 161 01	Foam part Seat cushion	left	1	PR:Q2J
2	955 522 160 01	Foam part Seat cushion	right	1	PR:Q2J,9AB, 9AD
(2)	955 522 162 01	Foam part Seat cushion	right	1	PR:Q2J,9AH
(2)	955 522 040 01	Foam part Seat cushion	right	1	PR:Q1D
(2)	955 522 042 01	Foam part Seat cushion	right	1	PR:Q1D,9AH
3	955 522 317 07	Seat cover Comfort seat	left	1	PR:N1X,4A0, 4A3
	955 522 317 07 PBW	Sand beige			
	955 522 317 07 PBX	steel grey			
	955 522 317 07 PBY	Black			
(3)	955 522 303 07	Seat cover Comfort seat	left	1	/74A3 PR:N7F,4A0
	955 522 303 07 PBW	Sand beige			
	955 522 303 07 PBX	steel grey			
	955 522 303 07 PBY	Black			
(3)	955 522 315 07	Seat cover Comfort seat	left	1	PR:N5U,4A0, 4A3
	955 522 315 07 PCA	Sand beige			
	955 522 315 07 PCB	steel grey			
	955 522 315 07 PCC	Black			
(3)	955 522 311 07	Seat cover Comfort seat	left	1	PR:N7D,4A0, 4A3
	955 522 311 07 PCA	Sand beige			
	955 522 311 07 PCB	steel grey			
	955 522 311 07 PCC	Black			
(3)	955 522 301 08	Seat cover Comfort seat	left	1	PR:N1P,4A0, 4A3
	955 522 301 08 WAG	chestnut brown			
(3)	955 522 303 01	Seat cover Comfort seat	left	1	PR:N5Y,4A0, 4A3
	955 522 303 01 WAG	chestnut brown			
(3)	955 522 305 07	Seat cover Comfort seat	left	1	PR:N7F,4A4
	955 522 305 07 PBW	Sand beige			
	955 522 305 07 PBX	steel grey			
	955 522 305 07 PBY	Black			
(3)	955 522 313 07	Seat cover Comfort seat	left	1	PR:N7D,4A4
	955 522 313 07 PCA	Sand beige			
	955 522 313 07 PCB	steel grey			
	955 522 313 07 PCC	Black			
(3)	955 522 309 07	Seat cover Comfort seat	left	1	PR:N5U,4A4
	955 522 309 07 PCA	Sand beige			
	955 522 309 07 PCB	steel grey			
	955 522 309 07 PCC	Black			
(3)	955 522 301 07	Seat cover Comfort seat	left	1	PR:N1X,4A4
	955 522 301 07 PBW	Sand beige			
	955 522 301 07 PBX	steel grey			
	955 522 301 07 PBY	Black			
(3)	955 522 303 08	Seat cover Comfort seat	left	1	PR:N1P,4A4

Model: 9PA108 Model life 2007>>2010

Pos	Part Number	Description	Remark	Qty	Model
(3)	955 522 303 08 WAG 955 522 303 09	chestnut brown Seat cover	left	1	PR:N5Y,4A4
(3)	955 522 303 09 WAG 955 522 319 07	chestnut brown Seat cover	left	1	PR:N5U,4A0, 4A3
	955 522 319 07 PCA	sports seat without heating			
	955 522 319 07 PCB	Sand beige			
	955 522 319 07 PCC	steel grey			
(3)	955 522 309 08	Black Seat cover	left	1	PR:N1P,4A0, 4A3
	955 522 309 08 WAG	sports seat			
(3)	955 522 307 07	chestnut brown Seat cover	left	1	PR:N5U,Q1D, 4A4
	955 522 307 07 PCA	sports seat			
	955 522 307 07 PCB	Sand beige			
	955 522 307 07 PCC	steel grey			
(3)	955 522 329 08	Black Seat cover	left	1	PR:N1P,Q1D, 4A4
	955 522 329 08 WAG	sports seat			
4	955 522 334 06	chestnut brown Seat cover	right	1	PR:N1X,4A0, 4A3,9AB,9AD
	955 522 334 06 PBW	Comfort seat			
	955 522 334 06 PBX	Sand beige			
	955 522 334 06 PBY	steel grey			
(4)	955 522 302 06	Black Seat cover	right	1	PR:N1X,4A0, 4A3,9AH
	955 522 302 06 PBW	Comfort seat			
	955 522 302 06 PBX	Sand beige			
	955 522 302 06 PBY	steel grey			
(4)	955 522 306 06	Black Seat cover	right	1	PR:N7F,4A0, 4A3,9AB,9AD
	955 522 306 06 PBW	Comfort seat			
	955 522 306 06 PBX	Sand beige			
	955 522 306 06 PBY	steel grey			
(4)	955 522 310 06	Black Seat cover	right	1	PR:N7F,4A0, 4A3,9AH
	955 522 310 06 PBW	Comfort seat			
	955 522 310 06 PBX	Sand beige			
	955 522 310 06 PBY	steel grey			
(4)	955 522 312 06	Black Seat cover	right	1	PR:N7F,4A4, 9AH
	955 522 312 06 PBW	Comfort seat			
	955 522 312 06 PBX	Sand beige			
	955 522 312 06 PBY	steel grey			
(4)	955 522 332 06	Black Seat cover	right	1	PR:N5U,4A0, 4A3,9AB,9AD
	955 522 332 06 PCA	Comfort seat			
	955 522 332 06 PCB	Sand beige			
	955 522 332 06 PCC	steel grey			
(4)	955 522 320 06	Black Seat cover	right	1	PR:N5U,4A0, 4A3,9AH
	955 522 320 06 PCA	Comfort seat			
	955 522 320 06 PCB	Sand beige			
	955 522 320 06 PCC	steel grey			
(4)	955 522 300 06	Black Seat cover	right	1	PR:N1X,4A0, 4A3,9AB,9AD
	955 522 300 06 PBW	Comfort seat			
	955 522 300 06 PBX	Sand beige/sand beige			
	955 522 300 06 PBY	Steel grey/steel grey			
	955 522 300 06 WRN	Black-black			
	955 522 300 06 WRP	black/grey			
	955 522 300 06 WRP	Black/sand beige			

Model: 9PA108

Model life 2007>>2010

Pos	Part Number	Description	Remark	Qty	Model
(4)	955 522 328 06	Seat cover Comfort seat	right	1	PR:N7D,4A0, 4A3,9AH
	955 522 328 06 PCA	Sand beige			
	955 522 328 06 PCB	steel grey			
	955 522 328 06 PCC	Black			
(4)	955 522 302 09	Seat cover Comfort seat	right	1	PR:N1P,4A0, 4A3,9AB,9AD
	955 522 302 09 WAG	chestnut brown			
(4)	955 522 304 02	Seat cover Comfort seat	right	1	PR:N1P,4A0, 4A3,9AH
	955 522 304 02 WAG	chestnut brown			
(4)	955 522 304 03	Seat cover Comfort seat	right	1	PR:N5Y,4A0, 4A3,9AB,9AD
	955 522 304 03 WAG	chestnut brown			
(4)	955 522 304 04	Seat cover Comfort seat	right	1	PR:N5Y,4A0, 4A3,9AH
	955 522 304 04 WAG	chestnut brown			
(4)	955 522 308 06	Seat cover Comfort seat	right	1	PR:N7F,4A4, 9AB,9AD
	955 522 308 06 PBW	Sand beige			
	955 522 308 06 PBX	steel grey			
	955 522 308 06 PBY	Black			
(4)	955 522 326 06	Seat cover Comfort seat	right	1	PR:N7D,4A4, 9AB,9AD
	955 522 326 06 PCA	Sand beige			
	955 522 326 06 PCB	steel grey			
	955 522 326 06 PCC	Black			
(4)	955 522 330 06	Seat cover Comfort seat	right	1	PR:N7D,4A4, 9AH
	955 522 330 06 PCA	Sand beige			
	955 522 330 06 PCB	steel grey			
	955 522 330 06 PCC	Black			
(4)	955 522 318 06	Seat cover Comfort seat	right	1	PR:N5U,4A4, 9AB,9AD
	955 522 318 06 PCA	Sand beige			
	955 522 318 06 PCB	steel grey			
	955 522 318 06 PCC	Black			
(4)	955 522 322 06	Seat cover Comfort seat	right	1	PR:N5U,4A4, 9AH
	955 522 322 06 PCA	Sand beige			
	955 522 322 06 PCB	steel grey			
	955 522 322 06 PCC	Black			
(4)	955 522 324 06	Seat cover Comfort seat	right	1	PR:N7D,4A0, 4A3,9AD,9AB
	955 522 324 06 PCA	Sand beige			
	955 522 324 06 PCB	steel grey			
	955 522 324 06 PCC	Black			
(4)	955 522 304 06	Seat cover Comfort seat	right	1	PR:N1X,4A4, 9AH
	955 522 304 06 PBW	Sand beige			
	955 522 304 06 PBX	steel grey			
	955 522 304 06 PBY	Black			
(4)	955 522 308 02	Seat cover Comfort seat	right	1	PR:N1P,4A4, 9AB,9AD
	955 522 308 02 WAG	chestnut brown			
(4)	955 522 308 03	Seat cover Comfort seat	right	1	PR:N1P,4A4, 9AH
	955 522 308 03 WAG	chestnut brown			
(4)	955 522 308 04	Seat cover Comfort seat	right	1	PR:N5Y,4A4, 9AB,9AD
	955 522 308 04 WAG	chestnut brown			
(4)	955 522 308 09	Seat cover Comfort seat	right	1	PR:N5Y,4A4, 9AH

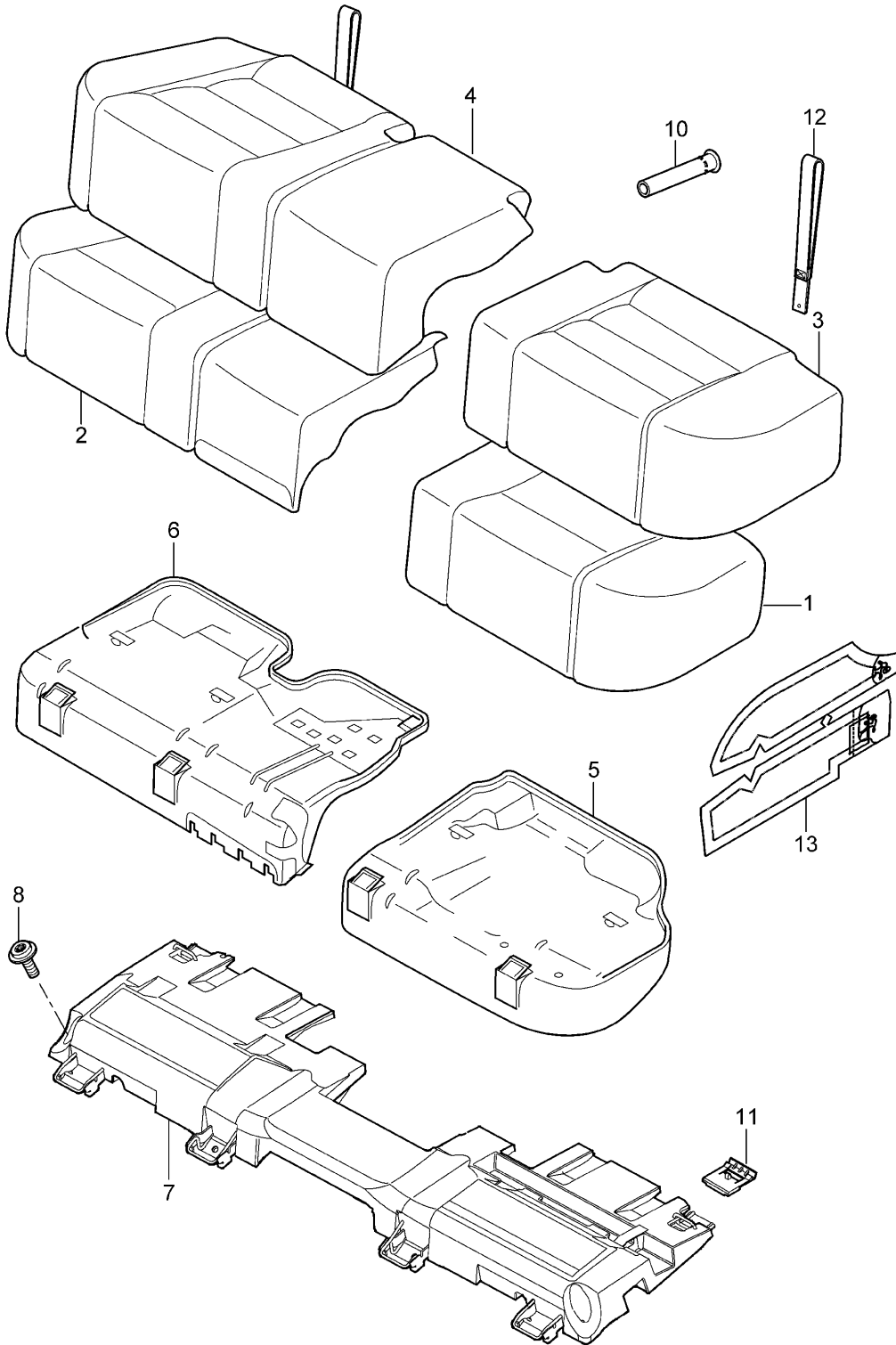
Model: 9PA108

Model life 2007>>2010

Pos	Part Number	Description	Remark	Qty	Model
(4)	955 522 308 09 WAG 955 522 338 06	chestnut brown Seat cover sports seat	right	1	PR:N5U, 4A0, 4A3, 9AB, 9AD
	955 522 338 06 PCA	Sand beige			
	955 522 338 06 PCB	steel grey			
	955 522 338 06 PCC	Black			
(4)	955 522 336 06	Seat cover sports seat	right	1	PR:N5U, 9AH, 4A0, 4A3
	955 522 336 06 PCA	Sand beige			
	955 522 336 06 PCB	steel grey			
	955 522 336 06 PCC	Black			
(4)	955 522 336 08	Seat cover sports seat	right	1	PR:N1P, 4A0, 4A3, 9AB, 9AD
	955 522 336 08 WAG	chestnut brown			
(4)	955 522 338 08	Seat cover sports seat	right	1	PR:N1P, 4A0, 4A3, 9AH
	955 522 338 08 WAG	chestnut brown			
(4)	955 522 314 06	Seat cover sports seat	right	1	PR:N5U, Q1D, 4A4, 9AB, 9AD
	955 522 314 06 PCA	Sand beige			
	955 522 314 06 PCB	steel grey			
	955 522 314 06 PCC	Black			
(4)	955 522 316 06	Seat cover sports seat	right	1	PR:N5U, 4A4, 9AH
	955 522 316 06 PCA	Sand beige			
	955 522 316 06 PCB	steel grey			
	955 522 316 06 PCC	Black			
(4)	955 522 334 08	Seat cover sports seat	right	1	PR:N1P, Q1D, 4A4, 9AB, 9AD
	955 522 334 08 WAG	chestnut brown			
(4)	955 522 316 07	Seat cover sports seat	right	1	PR:N1P, Q1D, 4A4, 9AH
	955 522 316 07 WAG	chestnut brown			
5	955 522 382 05	frame for seat	right rear	1	PR:QA0, 9AB, 9AD
(5)	955 522 382 06	frame for seat	right rear	1	PR:QA0, 9AH
6	955 522 385 03	frame for seat	left rear	1	PR:QA0
7	955 522 399 01	Cover cap Hooks		4	
8	N 910 260 03	Socket head bolt with inner multipoint head Mount frame for seat Car body		8	PR:3NW
9	955 653 043 00	Heating element Seat side bolster	left rear	1	PR:Q2J, 4A4
(9)	955 653 043 01	Heating element Seat side bolster	left rear	1	PR:Q1D, 4A4
(9)	955 653 043 02	Heating element Seat side bolster	left rear	1	PR:Q1J, 4A4
	D - MJ 2008>>				
(9)	955 653 044 00	Heating element Seat side bolster	right rear	1	PR:Q2J, 4A4
(9)	955 653 044 01	Heating element Seat side bolster	right rear	1	PR:Q1D, 4A4
(9)	955 653 044 02	Heating element Seat side bolster	right rear	1	PR:Q1J, 4A4

Model: 9PA108

Model life 2007>>2010



Model: 9PA108 Model life 2007>>2010

Pos	Part Number	Description	Remark	Qty	Model
		Seat plastic frame for seat	rear		
1	955 522 055 08	Foam part	left	1	PR:Q1D
(1)	955 522 057 00	Seat cushion Foam part	left	1	PR:Q1J
		Seat cushion sports seat D - MJ 2008>>			
(1)	955 522 161 08	Foam part	left	1	PR:Q2J
		Seat cushion			
2	955 522 164 08	Foam part	right	1	PR:Q2J
		Seat cushion			
(2)	955 522 040 08	Foam part	right	1	PR:Q1D
		Seat cushion			
(2)	955 522 044 00	Foam part	right	1	PR:Q1J
		Seat cushion sports seat D - MJ 2008>>			
(3)	955 522 317 09	Seat cover Comfort seat	left	1	PR:N1X, 4A0, 4A3, Q2J
	955 522 317 09 PBW	Sand beige/sand beige			
	955 522 317 09 PBX	Steel grey/steel grey			
	955 522 317 09 PBY	black/black			
(3)	955 522 303 11	Seat cover Comfort seat	left	1	PR:N7F, 4A0, 4A3, Q2J
	955 522 303 11 PBW	Sand beige/sand beige			
	955 522 303 11 PBX	Steel grey/steel grey			
	955 522 303 11 PBY	black/black			
(3)	955 522 315 09	Seat cover Comfort seat	left	1	PR:N5U, 4A0, 4A3, Q2J
	955 522 315 09 PCA	Sand beige/sand beige			
	955 522 315 09 PCB	Steel grey/steel grey			
	955 522 315 09 PCC	black/black			
(3)	955 522 311 09	Seat cover Comfort seat	left	1	PR:N7D, 4A0, 4A3, Q2J
	955 522 311 09 PCA	Sand beige/sand beige			
	955 522 311 09 PCB	Steel grey/steel grey			
	955 522 311 09 PCC	black/black			
(3)	955 522 301 10	Seat cover Comfort seat	left	1	PR:N1P, 4A0, 4A3, Q2J
	955 522 301 10 WAG	chestnut brown			
(3)	955 522 303 14	Seat cover Comfort seat	left	1	PR:N5Y, 4A0, 4A3, Q2J
	955 522 303 14 WAG	chestnut brown			
(3)	955 522 305 09	Seat cover Comfort seat	left	1	PR:N7F, 4A4, Q2J
	955 522 305 09 PBW	Sand beige/sand beige			
	955 522 305 09 PBX	Steel grey/steel grey			
	955 522 305 09 PBY	Steel grey/steel grey			
(3)	955 522 313 09	Seat cover Comfort seat	left	1	PR:N7D, 4A4, Q2J
	955 522 313 09 PCA	Sand beige/sand beige			
	955 522 313 09 PCB	Steel grey/steel grey			
	955 522 313 09 PCC	black/black			
(3)	955 522 309 11	Seat cover Comfort seat	left	1	PR:N5U, 4A4, Q2J
	955 522 309 11 PCA	Sand beige/sand beige			
	955 522 309 11 PCB	Steel grey/steel grey			
	955 522 309 11 PCC	black/black			
(3)	955 522 301 11	Seat cover Comfort seat	left	1	PR:N1X, 4A4, Q2J
	955 522 301 11 PBW	Sand beige/sand beige			

Model: 9PA108 Model life 2007>>2010

Pos	Part Number	Description	Remark	Qty	Model
(3)	955 522 301 11 PBX	Steel grey/steel grey	left	1	PR:N1P,4A4, Q2J
	955 522 301 11 PBY	black/black			
(3)	955 522 303 13	Seat cover Comfort seat	left	1	PR:N5Y,4A4, Q2J
	955 522 303 13 WAG	chestnut brown			
(3)	955 522 303 15	Seat cover Comfort seat	left	1	PR:N1P,4A0, 4A3,Q1D
	955 522 303 15 WAG	chestnut brown			
(3)	955 522 309 14	Seat cover sports seat	left	1	PR:N1P,Q1D, 4A0,4A3
	955 522 309 14 WAG	chestnut brown			
(3)	955 522 331 00	Seat cover sports seat	left	1	PR:N5U,4A0, 4A3,Q1D
	955 522 331 00 WAG	chestnut brown			
(3)	955 522 319 09	Seat cover sports seat without heating	left	1	PR:N5U,4A4, Q1D
	955 522 319 09 PCA	Sand beige/sand beige			
(3)	955 522 319 09 PCB	Steel grey/steel grey	left	1	PR:N1P,4A4, Q1D
	955 522 319 09 PCC	black/black			
(3)	955 522 307 10	Seat cover sports seat	left	1	PR:N1P,Q1J, 4A4
	955 522 307 10 PCA	Sand beige/sand beige			
(3)	955 522 307 10 PCB	Steel grey/steel grey	left	1	PR:N2S,Q1J, 4A0,4A3
	955 522 307 10 PCC	black/black			
(3)	955 522 329 11	Seat cover sports seat	left	1	PR:N1M,Q1J, 4A4
	955 522 329 11 WAG	chestnut brown			
(3)	955 522 333 00	Seat cover sports seat	left	1	PR:N2S,Q1J, 4A0,4A3
	955 522 333 00 WAG	chestnut brown			
(3)	955 522 327 01	Seat cover sports seat Alcantara	left	1	PR:N1M,Q1J, 4A4
	955 522 327 01 XKR	Black			
(3)	955 522 327 01 XKS	Sand beige/sand beige	left	1	PR:N1M,Q1J, 4A4
	955 522 327 01 XKT	Steel grey/steel grey			
(3)	955 522 329 13	Seat cover sports seat Alcantara with heating	left	1	PR:N1M,Q1J, 4A4
	955 522 329 13 XKR	Black			
(3)	955 522 329 13 XKS	Sand beige/sand beige	left	1	PR:N1M,Q1J, 4A4
	955 522 329 13 XKT	steel grey			
(3)	955 522 335 00	Seat cover sports seat two-colour	left	1	PR:N1M,Q1J, 4A4
	955 522 335 00 ZBX	Black/Havanna			
(3)	955 522 335 00 ZBY	Black/Steel Grey	left	1	PR:N1X,4A0, 4A3,Q2J,9AB,
	955 522 337 00	Seat cover sports seat two-colour			
4	955 522 337 00 ZBX	Black/Havanna	right	1	PR:N1X,4A0, 4A3,Q2J,9AB,
	955 522 337 00 ZBY	Black/Steel Grey			
4	955 522 334 10	Seat cover Comfort seat	right	1	PR:N1X,4A0, 4A3,Q2J,9AB,

Model: 9PA108 Model life 2007>>2010

Pos	Part Number	Description	Remark	Qty	Model
	955 522 334 10 PBW	Sand beige/sand beige			9AD
	955 522 334 10 PBX	Steel grey/steel grey			
	955 522 334 10 PBX	black/black			
(4)	955 522 302 09	Seat cover Comfort seat	right	1	PR:N1X,4A0, 4A3,Q2J,9AH
	955 522 302 09 PBW	Sand beige/sand beige			
	955 522 302 09 PBX	Steel grey/steel grey			
	955 522 302 09 PBX	black/black			
(4)	955 522 306 09	Seat cover Comfort seat	right	1	PR:N7F,4A0, 4A3,Q2J,9AB, 9AD
	955 522 306 09 PBW	Sand beige/sand beige			
	955 522 306 09 PBX	Steel grey/steel grey			
	955 522 306 09 PBX	black/black			
(4)	955 522 310 09	Seat cover Comfort seat	right	1	PR:N7F,4A0, Q2J,4A3,9AH
	955 522 310 09 PBW	Sand beige/sand beige			
	955 522 310 09 PBX	Steel grey/steel grey			
	955 522 310 09 PBX	black/black			
(4)	955 522 312 09	Seat cover Comfort seat	right	1	PR:N7F,4A4, 9AH,Q2J
	955 522 312 09 PBW	Sand beige/sand beige			
	955 522 312 09 PBX	Steel grey/steel grey			
	955 522 312 09 PBX	black/black			
(4)	955 522 332 09	Seat cover Comfort seat	right	1	PR:N5U,4A0, 4A3,Q2J,9AB, 9AD
	955 522 332 09 PCA	Sand beige/sand beige			
	955 522 332 09 PCB	Steel grey/steel grey			
	955 522 332 09 PCB	black/black			
(4)	955 522 320 09	Seat cover Comfort seat	right	1	PR:N5U,4A0, 4A3,Q2J,9AH
	955 522 320 09 PCA	Sand beige/sand beige			
	955 522 320 09 PCB	Steel grey/steel grey			
	955 522 320 09 PCB	black/black			
(4)	955 522 328 09	Seat cover Comfort seat	right	1	PR:N7D,4A0, Q2J,4A3,9AH
	955 522 328 09 PCA	Sand beige/sand beige			
	955 522 328 09 PCB	Steel grey/steel grey			
	955 522 328 09 PCB	black/black			
(4)	955 522 302 11	Seat cover Comfort seat	right	1	PR:N1P,4A0, 4A3,Q2J,9AB, 9AD
	955 522 302 11 WAG	chestnut brown			
(4)	955 522 304 11	Seat cover Comfort seat	right	1	PR:N1P,4A0, 4A3,Q2J,9AH
	955 522 304 11 WAG	chestnut brown			
(4)	955 522 304 12	Seat cover Comfort seat	right	1	PR:N5Y,4A0, 4A3,Q2J,9AB, 9AD
	955 522 304 12 WAG	chestnut brown			
(4)	955 522 304 13	Seat cover Comfort seat	right	1	PR:N5Y,4A0, 4A3,Q2J,9AH
	955 522 304 13 WAG	chestnut brown			
(4)	955 522 300 09	Seat cover Comfort seat	right	1	PR:N1X,4A4, Q2J,9AB,9AD
	955 522 300 09 PBW	Sand beige/sand beige			
	955 522 300 09 PBX	Steel grey/steel grey			
	955 522 300 09 PBX	black/black			
(4)	955 522 308 09	Seat cover Comfort seat	right	1	PR:N7F,4A4, Q2J,9AB,9AD
	955 522 308 09 PBW	Sand Beige/Galvano Silver			

Model: 9PA108

Model life 2007>>2010

Pos	Part Number	Description	Remark	Qty	Model
(4)	955 522 308 09 PBX	Steel grey/steel grey	right	1	PR:N7D,4A4, Q2J,9AB,9AD
	955 522 308 09 PBY	black/black			
	955 522 326 09	Seat cover Comfort seat			
(4)	955 522 326 09 PCA	Sand beige/sand beige	right	1	PR:N7D,4A4, 9AH,Q2J
	955 522 326 09 PCB	Steel grey/steel grey			
	955 522 326 09 PCC	black/black			
(4)	955 522 330 09	Seat cover Comfort seat	right	1	PR:N7D,4A4, 9AH,Q2J
	955 522 330 09 PCA	Sand beige/sand beige			
	955 522 330 09 PCB	Steel grey/steel grey			
(4)	955 522 330 09 PCC	black/black	right	1	PR:N5U,4A4, Q2J,9AB,9AD
	955 522 318 09	Seat cover Comfort seat			
	955 522 318 09 PCA	Sand beige/sand beige			
(4)	955 522 318 09 PCB	Steel grey/steel grey	right	1	PR:N5U,4A4, 9AH,Q2J
	955 522 318 09 PCC	black/black			
	955 522 322 09	Seat cover Comfort seat			
(4)	955 522 322 09 PCA	Sand beige/sand beige	right	1	PR:N7D,4A0, 4A3,Q2J,9AB, 9AD
	955 522 322 09 PCB	Steel grey/steel grey			
	955 522 322 09 PCC	black/black			
(4)	955 522 324 09	Seat cover Comfort seat	right	1	PR:N7D,4A0, 4A3,Q2J,9AB, 9AD
	955 522 324 09 PCA	Sand beige/sand beige			
	955 522 324 09 PCB	Steel grey/steel grey			
(4)	955 522 324 09 PCC	black/black	right	1	PR:N1X,4A4, 9AH,Q2J
	955 522 304 13	Seat cover Comfort seat			
	955 522 304 13 PBW	Sand beige/sand beige			
(4)	955 522 304 13 PBX	Steel grey/steel grey	right	1	PR:N1P,4A4, Q2J,9AB,9AD
	955 522 304 13 PBY	black/black			
	955 522 308 13	Seat cover Comfort seat			
(4)	955 522 308 13 WAG	chestnut brown	right	1	PR:N1P,4A4, 9AH,Q2J
	955 522 308 08	Seat cover Comfort seat			
(4)	955 522 308 08 WAG	chestnut brown	right	1	PR:N5Y,4A4, Q2J,9AB,9AD
	955 522 308 14	Seat cover Comfort seat			
(4)	955 522 308 14 WAG	chestnut brown	right	1	PR:N5Y,4A4, 9AH,Q2J
	955 522 308 15	Seat cover Comfort seat			
(4)	955 522 308 15 WAG	chestnut brown	right	1	PR:N5U,4A0, 4A3,Q1D,9AB, 9AD
	955 522 338 10	Seat cover sports seat			
(4)	955 522 338 10 PCA	Sand beige/sand beige	right	1	PR:N5U,4A0, 4A3,Q1D,9AH
	955 522 338 10 PCB	Steel grey/steel grey			
	955 522 338 10 PCC	black/black			
(4)	955 522 336 10	Seat cover sports seat	right	1	PR:N1P,4A0, 4A3,Q1D,9AB, 9AD
	955 522 336 10 PCA	Sand beige/sand beige			
	955 522 336 10 PCB	Steel grey/steel grey			
(4)	955 522 336 10 PCC	black/black	right	1	PR:N1P,4A0, 4A3,Q1D,9AB, 9AD
	955 522 336 11	Seat cover sports seat			
(4)	955 522 336 11 WAG	chestnut brown	right	1	PR:N1P,4A0, 4A3,Q1D,9AH
	955 522 338 11	Seat cover sports seat			
	955 522 338 11 WAG	chestnut brown			

Model: 9PA108 Model life 2007>>2010

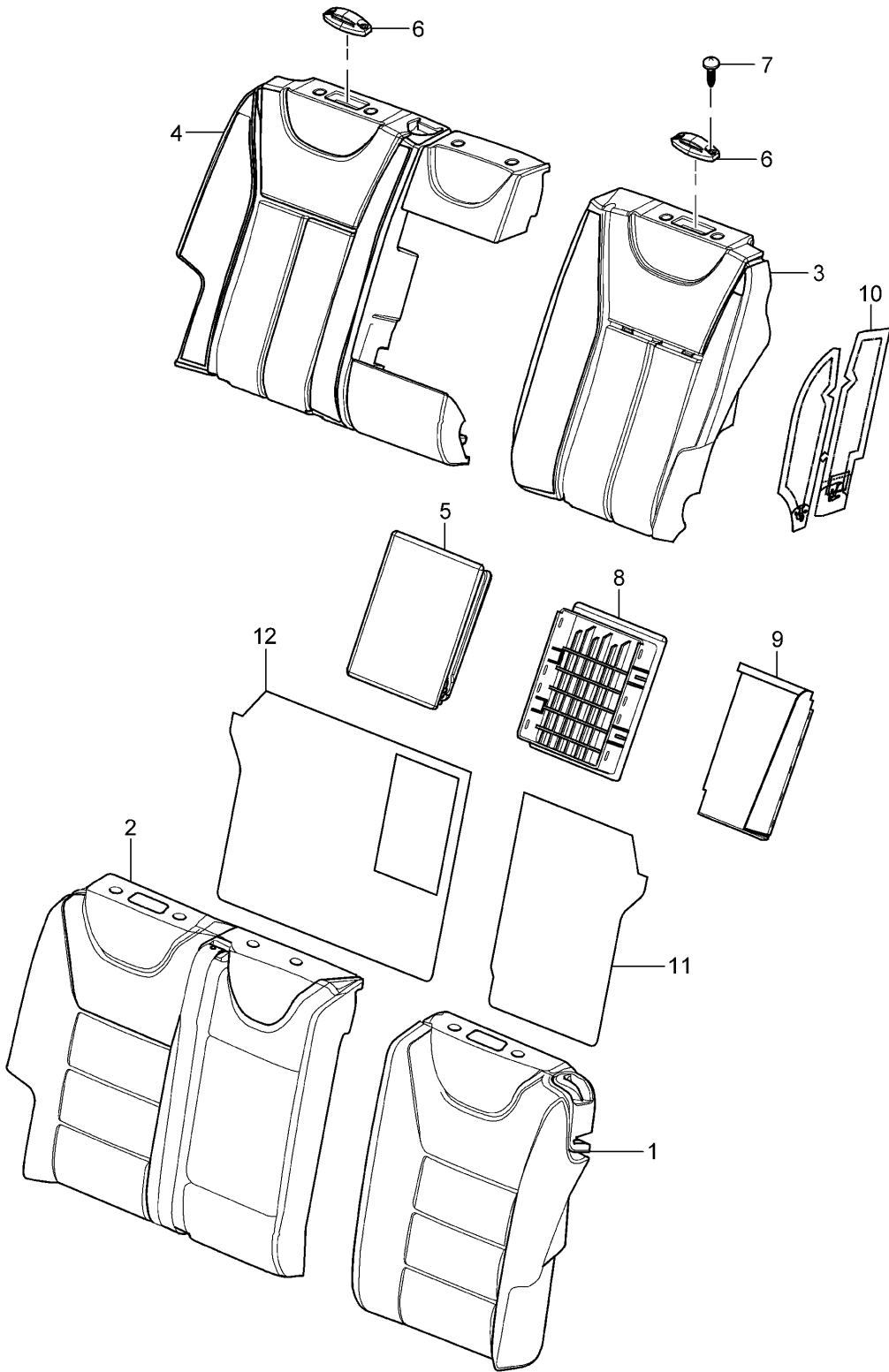
Pos	Part Number	Description	Remark	Qty	Model
(4)	955 522 348 00	Seat cover sports seat D - MJ 2009>>	right	1	PR:N1P,Q1J, 4A0,4A3,9AB, 9AD
	955 522 348 00 WAG	chestnut brown			
(4)	955 522 352 00	Seat cover sports seat D - MJ 2009>>	right	1	PR:N1P,Q1J, 4A0,4A3,9AH
	955 522 352 00 WAG	chestnut brown			
(4)	955 522 314 10	Seat cover sports seat	right	1	PR:N5U,4A4, 9AB,Q1D,9AD
	955 522 314 10 PCA	Sand beige/sand beige			
	955 522 314 10 PCB	Steel grey/steel grey			
	955 522 314 10 PCC	black/black			
(4)	955 522 316 10	Seat cover sports seat	right	1	PR:N5U,4A4, 9AH,Q1D
	955 522 316 10 PCA	Sand beige/sand beige			
	955 522 316 10 PCB	Steel grey/steel grey			
	955 522 316 10 PCC	black/black			
(4)	955 522 334 11	Seat cover sports seat	right	1	PR:N1P,4A4, 9AB,Q1D,9AD
	955 522 334 11 WAG	chestnut brown			
(4)	955 522 316 12	Seat cover sports seat	right	1	PR:N1P,4A4, 9AH,Q1D
	955 522 316 12 WAG	chestnut brown			
(4)	955 522 350 00	Seat cover sports seat	right	1	PR:N1P,Q1J, 4A4,9AB,9AD
	955 522 350 00 WAG	chestnut brown			
(4)	955 522 362 00	Seat cover sports seat	right	1	PR:N1P,Q1J, 4A4,9AH
	955 522 362 00 WAG	chestnut brown			
(4)	955 522 340 01	Seat cover sports seat Alcantara D - MJ 2008>>	right	1	PR:N2S,Q1J, 4A0,Q1D,4A3, 9AB,9AD
	955 522 340 01 XKR	Black			
	955 522 340 01 XKS	Sand beige/sand beige			
	955 522 340 01 XKT	Steel grey/steel grey			
(4)	955 522 342 01	Seat cover sports seat Alcantara D - MJ 2008>>	right	1	PR:N2S,Q1J, 4A4,9AB,9AD
	955 522 342 01 XKR	Black			
	955 522 342 01 XKS	Sand beige/sand beige			
	955 522 342 01 XKT	Steel grey/steel grey			
(4)	955 522 344 01	Seat cover sports seat Alcantara D - MJ 2008>>	right	1	PR:N2S,Q1J, 4A0,4A3,9AH
	955 522 344 01 XKR	Black			
	955 522 344 01 XKS	Sand beige/sand beige			
	955 522 344 01 XKT	Steel grey/steel grey			
(4)	955 522 346 01	Seat cover sports seat Alcantara D - MJ 2008>>	right	1	PR:N2S,Q1J, 4A4,9AH
	955 522 346 01 XKR	Black			
	955 522 346 01 XKS	Sand beige/sand beige			
	955 522 346 01 XKT	Steel grey/steel grey			
(4)	955 522 364 00	Seat cover sports seat two-colour D - MJ 2009>>	right	1	PR:N1M,Q1J, 4A0,4A3,9AB, 9AD
	955 522 364 00 ZBX	Black/Havanna			

Model: 9PA108 Model life 2007>>2010

Pos	Part Number	Description	Remark	Qty	Model
(4)	955 522 364 00 ZBY 955 522 366 00	Black/Steel Grey Seat cover sports seat two-colour D - MJ 2009>>	right	1	PR:N1M,Q1J, 4A4,9AB,9AD
(4)	955 522 366 00 ZBX 955 522 366 00 ZBY 955 522 368 00	Black/Havanna Black/Steel Grey Seat cover sports seat two-colour D - MJ 2009>>	right	1	PR:N1M,Q1J, 4A0,4A3,9AH
(4)	955 522 368 00 ZBX 955 522 368 00 ZBY 955 522 370 00	Black/Havanna Black/Steel Grey Seat cover sports seat two-colour D - MJ 2009>>	right	1	PR:N1M,Q1J, 4A4,9AH
5	955 522 370 00 ZBX 955 522 370 00 ZBY 955 522 887 00	Black/Havanna Black/Steel Grey Bracket Seat cushion	left	1	PR:3NW,Q1J
(5)	955 522 885 00	Bracket Seat cushion	left	1	PR:3NW
6	955 522 354 00	Bracket Seat cushion	right	1	PR:3NW,9AB, 9AD,Q1D,Q2J
(6)	955 522 360 00	Bracket Seat cushion	right	1	PR:Q1D,Q2J, 3NW,9AH
(6)	955 522 358 00	Bracket Seat cushion	right	1	PR:3NW,9AB, 9AD,Q1J
(6)	955 522 356 00	Bracket Seat cushion	right	1	PR:Q1J,3NW, 9AH
7	955 522 259 01	Support Plastic moulding set		1	PR:Q2J,Q1D
(7)	955 522 258 00	Support Plastic moulding set D - MJ 2008>>		1	PR:Q1J
8	N 910 260 03	Socket head bolt with inner multipoint head Mount Support		6	PR:3NW
10	955 522 830 00	guide sleeve Head restraint Support	left a. right	6	
11	955 522 830 00 9B9 955 522 227 00	Satin black Support Hinge Seat		1	PR:3NW
12	955 522 229 00	Holding strap Bracket Rear seat cushion		1	PR:Q1J
13	955 653 043 00	Heating element Seat side bolster	left rear	1	PR:Q2J,4A4
(13)	955 653 043 01	Heating element Seat side bolster	left rear	1	PR:Q1D,4A4
(13)	955 653 043 02	Heating element Seat side bolster D - MJ 2008>>	left rear	1	PR:Q1J,4A4
(13)	955 653 044 00	Heating element Seat side bolster	right rear	1	PR:Q2J,4A4
(13)	955 653 044 01	Heating element Seat side bolster	right rear	1	PR:Q1D,4A4
(13)	955 653 044 02	Heating element Seat side bolster	right rear	1	PR:Q1J,4A4

Model: 9PA108

Model life 2007>>2010



Model: 9PA108

Model life 2007>>2010

Pos	Part Number	Description	Remark	Qty	Model
1	955 522 011 02	Foam part Back seat backrest Cover Backrest cover sports seat	left	1	PR:N5U,Q1D, 4A0,4A3
	955 522 011 02 PCA	Sand beige/sand beige			
	955 522 011 02 PCB	Steel grey/steel grey			
	955 522 011 02 PCC	black/black			
(1)	955 522 011 03	Backrest cover sports seat	left	1	PR:N1P,4A0, 4A3
	955 522 011 03 WAG	chestnut brown			
(1)	955 522 011 04	Backrest cover sports seat	left	1	PR:N5U,Q1D, 4A4
	955 522 011 04 PCA	Sand beige			
	955 522 011 04 PCB	steel grey			
	955 522 011 04 PCC	Black			
(1)	955 522 011 06	Backrest cover sports seat	left	1	PR:N1P,Q1D, 4A4
	955 522 011 06 WAG	chestnut brown			
(1)	955 522 011 07	Backrest cover Comfort seat	left	1	PR:N1X,4A0, 4A3
	955 522 011 07 PBW	Sand beige/sand beige			
	955 522 011 07 PBX	Steel grey/steel grey			
	955 522 011 07 PBY	black/black			
(1)	955 522 011 08	Backrest cover Comfort seat	left	1	PR:N7F,4A0, 4A3
	955 522 011 08 PBW	Sand beige/sand beige			
	955 522 011 08 PBX	Steel grey/steel grey			
	955 522 011 08 PBY	black/black			
(1)	955 522 011 09	Backrest cover Comfort seat	left	1	PR:N5U,4A0, 4A3
	955 522 011 09 PCA	Sand beige/sand beige			
	955 522 011 09 PCB	Steel grey/steel grey			
	955 522 011 09 PCC	black/black			
(1)	955 522 013 02	Backrest cover Comfort seat	left	1	PR:N7D,4A0, 4A3
	955 522 013 02 PCA	Sand beige/sand beige			
	955 522 013 02 PCB	Steel grey/steel grey			
	955 522 013 02 PCC	black/black			
(1)	955 522 013 03	Backrest cover Comfort seat	left	1	PR:N1P,4A0, 4A3
	955 522 013 03 WAG	chestnut brown			
(1)	955 522 013 04	Backrest cover Comfort seat	left	1	PR:N5Y,4A0, 4A3
	955 522 013 04 WAG	chestnut brown			
(1)	955 522 013 06	Backrest cover Comfort seat	left	1	PR:N1X,4A4
	955 522 013 06 PBW	Sand beige			
	955 522 013 06 PBX	steel grey			
	955 522 013 06 PBY	Black			
(1)	955 522 013 07	Backrest cover Comfort seat	left	1	PR:N7F,4A4
	955 522 013 07 PBW	Sand beige			
	955 522 013 07 PBX	steel grey			
	955 522 013 07 PBY	Black			
(1)	955 522 013 08	Backrest cover Comfort seat	left	1	PR:N5U,4A4
	955 522 013 08 PCA	Sand beige			
	955 522 013 08 PCB	steel grey			
	955 522 013 08 PCC	Black			
(1)	955 522 013 09	Backrest cover Comfort seat	left	1	PR:N7D,4A4
	955 522 013 09 PCA	Sand beige			

Model: 9PA108

Model life 2007>>2010

Pos	Part Number	Description	Remark	Qty	Model
	955 522 013 09 PCB	steel grey			
	955 522 013 09 PCC	Black			
(1)	955 522 015 02	Backrest cover Comfort seat	left	1	PR:N1P,4A4
	955 522 015 02 WAG	chestnut brown			
(1)	955 522 015 03	Backrest cover Comfort seat	left	1	PR:N5Y,4A4
	955 522 015 03 WAG	chestnut brown			
(1)	955 522 014 10	backrest cover (alcantara) sports seat D - MJ 2008>>	left	1	PR:N2S,Q1J, 4A0,4A3
	955 522 014 10 XKR	Black			
	955 522 014 10 XKS	Sand beige			
	955 522 014 10 XKT	steel grey			
(1)	955 522 014 12	backrest cover (alcantara) sports seat D - MJ 2008>>	left	1	PR:N2S,Q1J, 4A4,E0W
	955 522 014 12 XKR	Black			
	955 522 014 12 XKS	Sand beige			
	955 522 014 12 XKT	steel grey			
2	955 522 016 02	Backrest cover sports seat	right	1	PR:N5U,4A0, 4A3
	955 522 016 02 PCA	Sand beige/sand beige			
	955 522 016 02 PCB	Steel grey/steel grey			
	955 522 016 02 PCC	black/black			
(2)	955 522 016 04	Backrest cover sports seat	right	1	PR:N1P,4A0, 4A3
	955 522 016 04 WAG	chestnut brown			
(2)	955 522 016 06	Backrest cover sports seat	right	1	PR:N5U,Q1D, 4A4
	955 522 016 06 PCA	Sand beige			
	955 522 016 06 PCB	steel grey			
	955 522 016 06 PCC	Black			
(2)	955 522 016 08	Backrest cover sports seat	right	1	PR:N1P,Q1D, 4A4
	955 522 016 08 WAG	chestnut brown			
(2)	955 522 018 02	Backrest cover Comfort seat	right	1	PR:N1X,4A0, 4A3
	955 522 018 02 PBW	Sand beige/sand beige			
	955 522 018 02 PBX	Steel grey/steel grey			
	955 522 018 02 PBY	black/black			
(2)	955 522 018 04	Backrest cover Comfort seat	right	1	PR:N7F,4A0, 4A3
	955 522 018 04 PBW	Sand beige/sand beige			
	955 522 018 04 PBX	Steel grey/steel grey			
	955 522 018 04 PBY	black/black			
(2)	955 522 018 06	Backrest cover Comfort seat	right	1	PR:N5U,4A0, 4A3
	955 522 018 06 PCA	Sand beige/sand beige			
	955 522 018 06 PCB	Steel grey/steel grey			
	955 522 018 06 PCC	black/black			
(2)	955 522 018 08	Backrest cover Comfort seat	right	1	PR:N7D,4A0, 4A3
	955 522 018 08 PCA	Sand beige/sand beige			
	955 522 018 08 PCB	Steel grey/steel grey			
	955 522 018 08 PCC	black/black			
(2)	955 522 020 02	Backrest cover Comfort seat	right	1	PR:N1P,4A0, 4A3
	955 522 020 02 WAG	chestnut brown			
(2)	955 522 020 04	Backrest cover Comfort seat	right	1	PR:N5Y,4A0, 4A3
	955 522 020 04 WAG	chestnut brown			
(2)	955 522 020 06	Backrest cover	right	1	PR:N7F,Q2J,

Model: 9PA108 Model life 2007>>2010

Pos	Part Number	Description	Remark	Qty	Model
	955 522 020 06 PBW	Comfort seat Sand beige			4A4
	955 522 020 06 PBX	steel grey			
	955 522 020 06 PBX	Black			
(2)	955 522 020 08	Backrest cover Comfort seat	right	1	PR:N7D,Q2J, 4A4
	955 522 020 08 PCA	Sand beige			
	955 522 020 08 PCB	steel grey			
	955 522 020 08 PCC	Black			
(2)	955 522 022 02	Backrest cover Comfort seat	right	1	PR:N5U,Q2J, 4A4
	955 522 022 02 PCA	Sand beige			
	955 522 022 02 PCB	steel grey			
	955 522 022 02 PCC	Black			
(2)	955 522 022 04	Backrest cover Comfort seat	right	1	PR:N1X,Q2J, 4A4
	955 522 022 04 PBW	Sand beige			
	955 522 022 04 PBX	steel grey			
	955 522 022 04 PBX	Black			
(2)	955 522 022 06	Backrest cover Comfort seat	right	1	PR:N1P,Q2J, 4A4
	955 522 022 06 WAG	chestnut brown			
(2)	955 522 022 08	Backrest cover Comfort seat	right	1	PR:N5Y,Q2J, 4A4
	955 522 022 08 WAG	chestnut brown			
(2)	955 522 024 10	backrest cover (alcantara) sports seat D - MJ 2008>>	right	1	PR:N2S,Q1J, 4A0,4A3
	955 522 024 10 XKR	Black			
	955 522 024 10 XKS	Sand beige			
	955 522 024 10 XKT	steel grey			
(2)	955 522 024 14	backrest cover (alcantara) sports seat D - MJ 2008>>	right	1	PR:N2S,Q1J, 4A4,E0W
	955 522 024 14 XKR	Black			
	955 522 024 14 XKS	Sand beige			
	955 522 024 14 XKT	steel grey			
3	955 522 075 02	Foam part backrest	left	1	PR:Q2J
(3)	955 522 077 07	Foam part backrest	left	1	PR:Q1D
4	955 522 076 07	Foam part backrest	right	1	PR:Q2J
(4)	955 522 078 07	Foam part backrest	right	1	PR:Q1D
5	955 522 090 02	Armrest Back seat backrest	center	1	PR:N1X,N7F
	955 522 090 02 A08	Black			
	955 522 090 02 T25	Sand beige			
	955 522 090 02 6E1	steel grey			
(5)	955 522 091 02	Armrest Back seat backrest	center	1	PR:N5U,N7D
	955 522 091 02 6B7	steel grey			
	955 522 091 02 8G1	Sand beige			
	955 522 091 02 8YR	Black			
(5)	955 522 092 09	Armrest Back seat backrest	center	1	PR:N1P,N5Y
	955 522 092 09 J69	chestnut brown			
-	955 521 860 00	Retaining clip Armrest		1	
6	955 522 080 01	Back seat backrest Support Back seat backrest		1	

Model: 9PA108 Model life 2007>>2010

Pos	Part Number	Description	Remark	Qty	Model
		D >> - MJ 2007			
	955 522 080 01 K40	chestnut brown			
	955 522 080 01 6C6	Sand beige			
	955 522 080 01 7A8	steel grey			
	955 522 080 01 9B9	Satin black			
(6)	955 522 080 02	Support Back seat backrest D - MJ 2008>>		1	PR:Q1D,Q2J
	955 522 080 02 K40	chestnut brown			
	955 522 080 02 6C6	Sand beige			
	955 522 080 02 7A8	steel grey			
	955 522 080 02 9B9	Satin black			
(6)	955 522 080 03	Support Back seat backrest D - MJ 2008>>		1	PR:Q1J
	955 522 080 03 K40	chestnut brown			
	955 522 080 03 6C6	Sand beige			
	955 522 080 03 7A8	steel grey			
	955 522 080 03 9B9	Satin black			
7	N 106 573 02	oval head panel screw Mount Support		2	PR:3NW
8	955 522 088 00	End cap without:		1	PR:3NW,3X0
9	955 522 089 00	Ski bag Trim without:		1	PR:3NW,3X0
		Ski bag D - MJ 2007>>			
	955 522 089 00 K40	chestnut brown			
	955 522 089 00 7A8	steel grey			
10	955 653 041 00	Heating element	left	1	PR:Q2J,4A4
		Backrest side bolster	rear		
(10)	955 653 041 01	Heating element	left	1	PR:Q1D,4A4
		Backrest side bolster	rear		
(10)	955 653 041 02	Heating element	left	1	PR:Q1J,4A4
		Backrest side bolster	rear		
		D - MJ 2008>>			
(10)	955 653 042 00	Heating element	right	1	PR:Q2J,4A4
		Backrest side bolster	rear		
(10)	955 653 042 01	Heating element	right	1	PR:Q1D,4A4
		Backrest side bolster	rear		
(10)	955 653 042 02	Heating element	right	1	PR:Q1J,4A4
		Backrest side bolster	rear		
		D - MJ 2008>>			
11	955 522 041 00	Rear panel trim without:	left	1	PR:3ME,3X0
		Ski bag Tufting velour			
	955 522 041 00 AV1	chestnut brown			
	955 522 041 00 7H1	Black			
	955 522 041 00 7J2	steel grey			
	955 522 041 00 7K3	Sand beige			
(11)	955 522 043 00	Rear panel trim Pearl velour	left	1	PR:3MT
	955 522 043 00 L63	chestnut brown			
	955 522 043 00 8B2	Black			
	955 522 043 00 8C3	steel grey			
	955 522 043 00 8D4	Sand beige			
(12)	955 522 038 00	Rear panel trim Tufting velour with:	right	1	PR:3ME,3X1
		Ski bag			

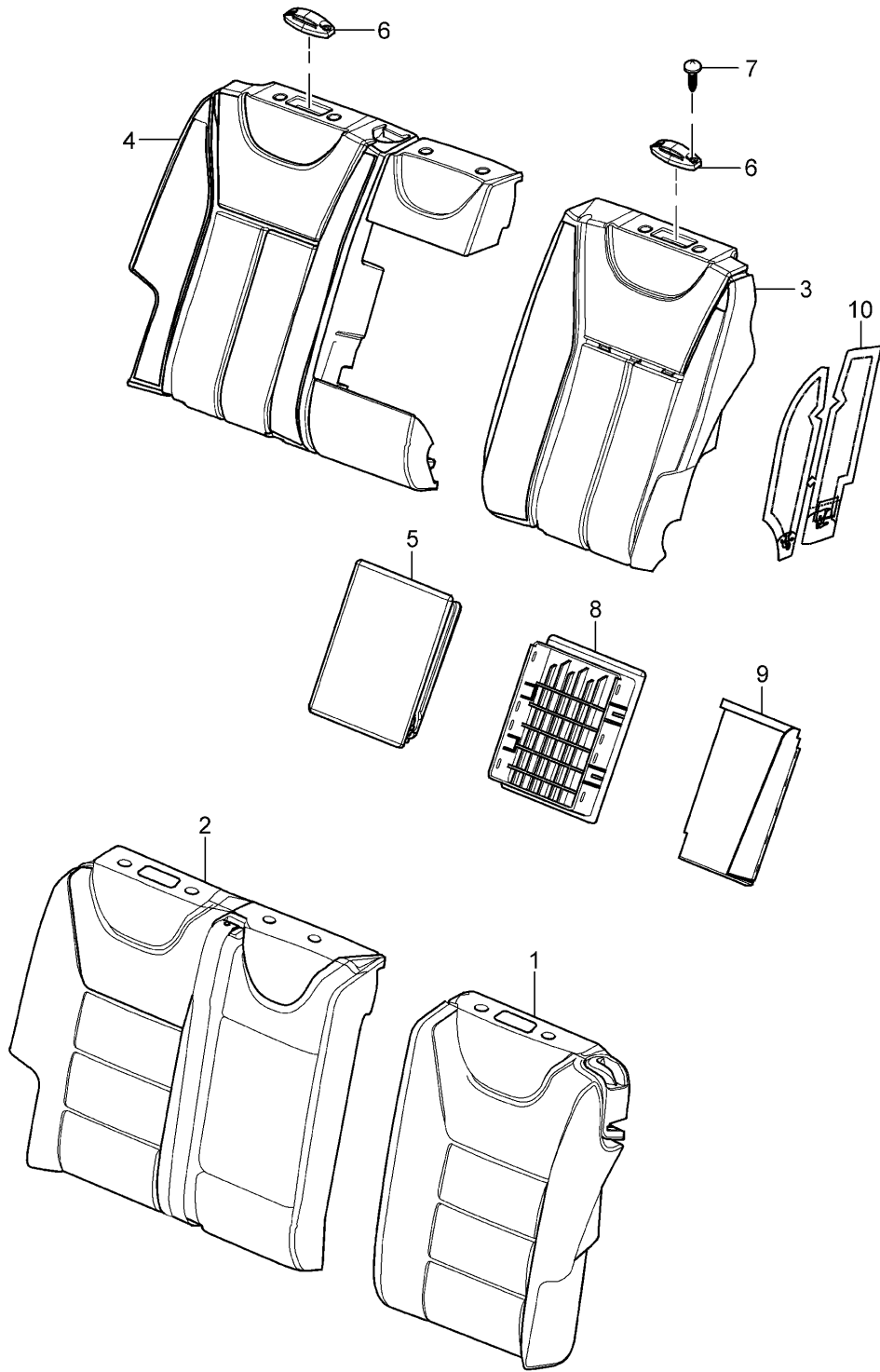
Model: 9PA108

Model life 2007>>2010

Pos	Part Number	Description	Remark	Qty	Model	
(12)	955 522 038 00 AV1	chestnut brown	right	1	PR: 3MT, 3X1	
	955 522 038 00 7H1	Black				
	955 522 038 00 7J2	steel grey				
	955 522 038 00 7K3	Sand beige				
	955 522 044 01	Rear panel trim Pearl velour				
		with:				
	955 522 044 01 L63	Ski bag chestnut brown				
	955 522 044 01 8B2	Black				
	955 522 044 01 8C3	steel grey				
	955 522 044 01 8D4	Sand beige				
(12)	955 522 046 01	Rear panel trim Tufting velour	right	1	PR: 3ME, 3X0	
			without:			
		955 522 046 01 AV1	Ski bag chestnut brown			
		955 522 046 01 7H1	Black			
	955 522 046 01 7J2	steel grey				
	955 522 046 01 7K3	Sand beige				
(12)	955 522 048 01	Rear panel trim Pearl velour	right	1	PR: 3MT, 3X0	
			without:			
		955 522 048 01 L63	Ski bag chestnut brown			
		955 522 048 01 8B2	Black			
	955 522 048 01 8C3	steel grey				
	955 522 048 01 8D4	Sand beige				

Model: 9PA108

Model life 2007>>2010



Model: 9PA108 Model life 2007>>2010

Pos	Part Number	Description	Remark	Qty	Model
		Back seat backrest with: plastic frame for seat Cover Foam part			
(1)	955 522 011 07	Backrest cover Comfort seat	left	1	PR:N1X,4A0, 4A3
	955 522 011 07 PBW	Sand beige/sand beige			
	955 522 011 07 PBX	Steel grey/steel grey			
	955 522 011 07 PBY	black/black			
(1)	955 522 011 08	Backrest cover Comfort seat	left	1	PR:N7F,4A0, 4A3
	955 522 011 08 PBW	Sand beige/sand beige			
	955 522 011 08 PBX	Steel grey/steel grey			
	955 522 011 08 PBY	black/black			
(1)	955 522 011 09	Backrest cover Comfort seat	left	1	PR:N5U,4A0, 4A3
	955 522 011 09 PCA	Sand beige/sand beige			
	955 522 011 09 PCB	Steel grey/steel grey			
	955 522 011 09 PCC	black/black			
(1)	955 522 013 02	Backrest cover Comfort seat	left	1	PR:N7D,4A0, 4A3
	955 522 013 02 PCA	Sand beige/sand beige			
	955 522 013 02 PCB	Steel grey/steel grey			
	955 522 013 02 PCC	black/black			
(1)	955 522 013 03	Backrest cover Comfort seat	left	1	PR:N1P,4A0, 4A3
	955 522 013 03 WAG	chestnut brown			
(1)	955 522 013 04	Backrest cover Comfort seat	left	1	PR:N5Y,4A0, 4A3
	955 522 013 04 WAG	chestnut brown			
(1)	955 522 013 10	Backrest cover Comfort seat	left	1	PR:N1X,4A4
	955 522 013 10 PBW	Sand beige/sand beige			
	955 522 013 10 PBX	Steel grey/steel grey			
	955 522 013 10 PBY	black/black			
(1)	955 522 013 11	Backrest cover Comfort seat	left	1	PR:N7F,4A4
	955 522 013 11 PBW	Sand beige/sand beige			
	955 522 013 11 PBX	Steel grey/steel grey			
	955 522 013 11 PBY	black/black			
(1)	955 522 013 12	Backrest cover Comfort seat	left	1	PR:N5U,4A4
	955 522 013 12 PCA	Sand beige/sand beige			
	955 522 013 12 PCB	Steel grey/steel grey			
	955 522 013 12 PCC	black/black			
(1)	955 522 013 13	Backrest cover Comfort seat	left	1	PR:N7D,4A4
	955 522 013 13 PCA	Sand beige/sand beige			
	955 522 013 13 PCB	Steel grey/steel grey			
	955 522 013 13 PCC	black/black			
(1)	955 522 015 04	Backrest cover Comfort seat	left	1	PR:N1P,4A4
	955 522 015 04 WAG	chestnut brown			
(1)	955 522 015 07	Backrest cover Comfort seat	left	1	PR:N5Y,4A4
	955 522 015 07 WAG	chestnut brown			
(1)	955 522 011 12	Backrest cover sports seat	left	1	PR:N5U,4A4
	955 522 011 12 PCA	Sand beige/sand beige			
	955 522 011 12 PCB	Steel grey/steel grey			
	955 522 011 12 PCC	black/black			

Model: 9PA108

Model life 2007>>2010

Pos	Part Number	Description	Remark	Qty	Model
(1)	955 522 011 14	Backrest cover sports seat	left	1	PR:N1P,4A4
	955 522 011 14 WAG	chestnut brown			
(1)	955 522 011 02	Backrest cover sports seat	left	1	PR:N5U,4A0, 4A3
	955 522 011 02 PCA	Sand beige/sand beige			
	955 522 011 02 PCB	Steel grey/steel grey			
	955 522 011 02 PCC	black/black			
(1)	955 522 011 03	Backrest cover sports seat	left	1	PR:N1P,4A0, 4A3
	955 522 011 03 WAG	chestnut brown			
2	955 522 022 10	Backrest cover Comfort seat	right	1	PR:N1X,4A4
	955 522 022 10 PBW	Sand beige/sand beige			
	955 522 022 10 PBX	Steel grey/steel grey			
	955 522 022 10 PBY	black/black			
(2)	955 522 020 10	Backrest cover Comfort seat	right	1	PR:N7F,4A4
	955 522 020 10 PBW	Sand beige/sand beige			
	955 522 020 10 PBX	Steel grey/steel grey			
	955 522 020 10 PBY	black/black			
(2)	955 522 022 12	Backrest cover Comfort seat	right	1	PR:N5U,4A4
	955 522 022 12 PCA	Sand beige/sand beige			
	955 522 022 12 PCB	Steel grey/steel grey			
	955 522 022 12 PCC	black/black			
(2)	955 522 020 12	Backrest cover Comfort seat	right	1	PR:N7D,4A4
	955 522 020 12 PCA	Sand beige/sand beige			
	955 522 020 12 PCB	Steel grey/steel grey			
	955 522 020 12 PCC	black/black			
(2)	955 522 022 14	Backrest cover Comfort seat	right	1	PR:N1P,4A4
	955 522 022 14 WAG	chestnut brown			
(2)	955 522 022 16	Backrest cover Comfort seat	right	1	PR:N5Y,4A4
	955 522 022 16 WAG	chestnut brown			
(2)	955 522 018 02	Backrest cover Comfort seat	right	1	PR:N1X,4A0, 4A3
	955 522 018 02 PBW	Sand beige/sand beige			
	955 522 018 02 PBX	Steel grey/steel grey			
	955 522 018 02 PBY	black/black			
(2)	955 522 018 04	Backrest cover Comfort seat	right	1	PR:N7F,4A0, 4A3
	955 522 018 04 PBW	Sand beige/sand beige			
	955 522 018 04 PBX	Steel grey/steel grey			
	955 522 018 04 PBY	black/black			
(2)	955 522 018 06	Backrest cover Comfort seat	right	1	PR:N5U,4A0, 4A3
	955 522 018 06 PCA	Sand beige/sand beige			
	955 522 018 06 PCB	Steel grey/steel grey			
	955 522 018 06 PCC	black/black			
(2)	955 522 018 08	Backrest cover Comfort seat	right	1	PR:N7D,4A0, 4A3
	955 522 018 08 PCA	Sand beige/sand beige			
	955 522 018 08 PCB	Steel grey/steel grey			
	955 522 018 08 PCC	black/black			
(2)	955 522 020 02	Backrest cover Comfort seat	right	1	PR:N1P,4A0, 4A3
	955 522 020 02 WAG	chestnut brown			
(2)	955 522 020 04	Backrest cover Comfort seat	right	1	PR:N5Y,4A0, 4A3
	955 522 020 04 WAG	chestnut brown			

Model: 9PA108

Model life 2007>>2010

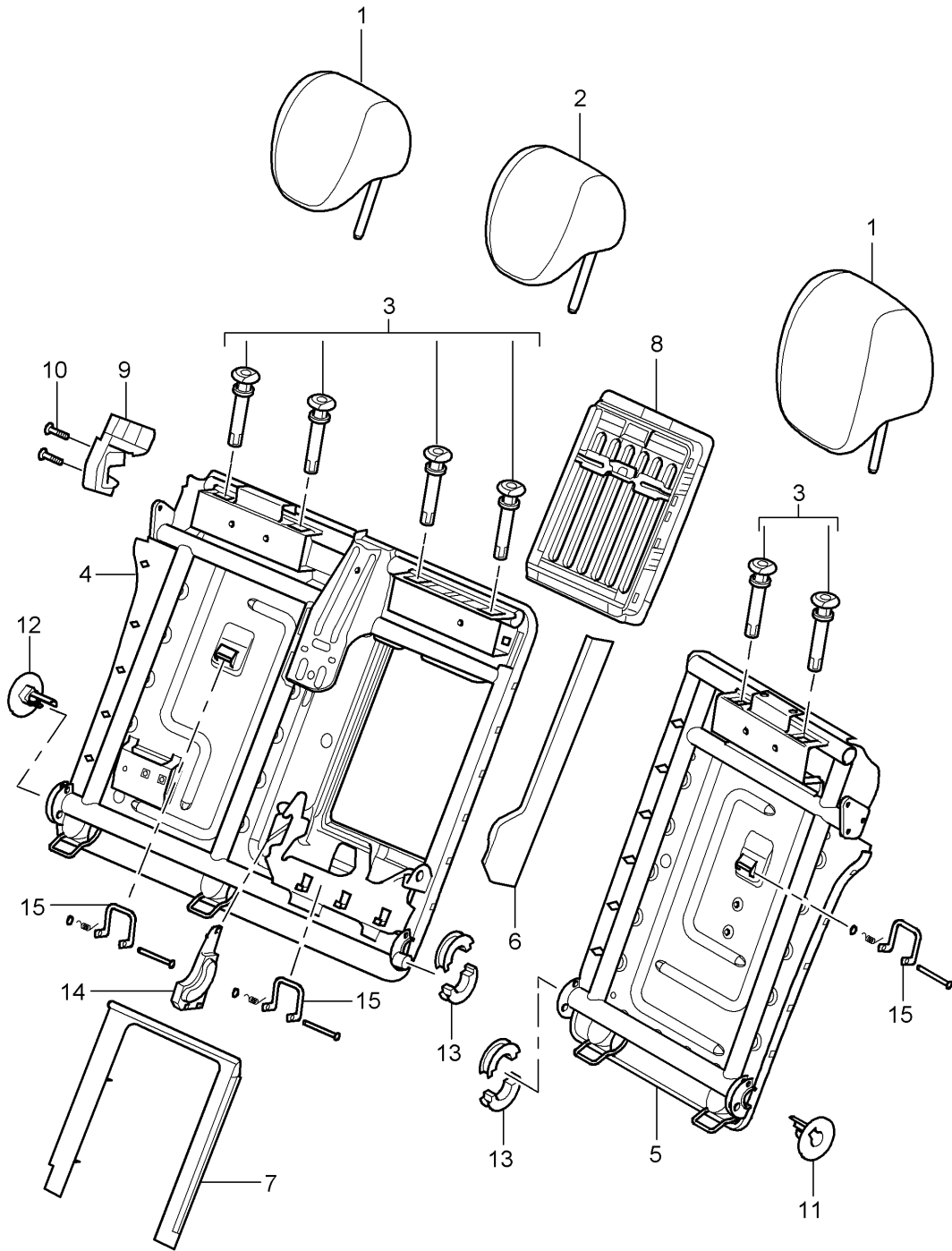
Pos	Part Number	Description	Remark	Qty	Model
(2)	955 522 016 02	Backrest cover sports seat	right	1	PR:N5U,4A0, 4A3
	955 522 016 02 PCA	Sand beige/sand beige			
	955 522 016 02 PCB	Steel grey/steel grey			
	955 522 016 02 PCC	black/black			
(2)	955 522 016 04	Backrest cover sports seat	right	1	PR:N1P,4A0, 4A3
	955 522 016 04 WAG	chestnut brown			
(2)	955 522 016 10	Backrest cover sports seat	right	1	PR:N1P,4A4
	955 522 016 10 PCA	Sand beige/sand beige			
	955 522 016 10 PCB	Steel grey/steel grey			
	955 522 016 10 PCC	black/black			
(2)	955 522 016 12	Backrest cover sports seat	right	1	PR:N1P,4A4
	955 522 016 12 WAG	chestnut brown			
3	955 522 075 02	Foam part backrest Comfort seat	left	1	PR:Q2J
(3)	955 522 077 07	Foam part backrest sports seat	left	1	PR:Q1D
(3)	955 522 079 00	Foam part backrest sports seat	left	1	PR:Q1J
		D - MJ 2008>>			
4	955 522 076 07	Foam part backrest Comfort seat	right	1	PR:Q2J
(4)	955 522 078 07	Foam part backrest sports seat	right	1	PR:Q1D
(4)	955 522 080 00	Foam part backrest sports seat	right	1	PR:Q1J
		D - MJ 2008>>			
5	955 522 090 03	Armrest Back seat backrest	center	1	PR:N1X,N7F
	955 522 090 03 A08	Black			
	955 522 090 03 T25	Sand beige			
	955 522 090 03 6E1	steel grey			
(5)	955 522 091 03	Armrest Back seat backrest	center	1	PR:N5U,N7D, N2S,N1M
	955 522 091 03 6B7	steel grey			
	955 522 091 03 8G1	Sand beige			
	955 522 091 03 8YR	Black			
(5)	955 522 092 09	Armrest Back seat backrest	center	1	PR:N1P,N5Y
	955 522 092 09 J69	chestnut brown			
6	955 522 080 02	Support Back seat backrest		2	PR:Q1D,Q2J
	955 522 080 02 K40	chestnut brown			
	955 522 080 02 7A8	steel grey			
	955 522 080 02 6C6	Sand beige			
	955 522 080 02 9B9	Satin black			
(6)	955 522 080 03	Support Back seat backrest		2	PR:Q1J
	955 522 080 03 K40	chestnut brown			
	955 522 080 03 7A8	steel grey			
	955 522 080 03 6C6	Sand beige			
	955 522 080 03 9B9	Satin black			
7	N 106 573 02	oval head panel screw		2	PR:3NW

Model: 9PA108 Model life 2007>>2010

Pos	Part Number	Description	Remark	Qty	Model
8	955 522 088 00	Mount Support End cap		1	
			without:		
9	955 522 089 00	Ski bag Trim		1	PR:3NW,3X0
			without:		
	955 522 089 00 K40	Ski bag chestnut brown			
	955 522 089 00 7A8	steel grey			
	955 522 089 00 6C6	Sand beige			
10	955 653 041 00	Heating element Backrest side bolster	left rear	1	PR:Q2J,4A4
(10)	955 653 041 03	Heating element Backrest side bolster	left rear	1	PR:Q2J,4A4
(10)	955 653 041 01	Heating element Backrest side bolster	left rear	1	PR:Q1D,4A4
(10)	955 653 041 02	Heating element Backrest side bolster	left rear	1	PR:Q1J,4A4
(10)	955 653 042 00	D - MJ 2008>> Heating element Backrest side bolster	right rear	1	PR:Q2J,4A4
(10)	955 653 042 03	Heating element Backrest side bolster	right rear	1	PR:Q2J,4A4
(10)	955 653 042 01	Heating element Backrest side bolster	right rear	1	PR:Q1D,4A4
(10)	955 653 042 02	Heating element Backrest side bolster D - MJ 2008>>	right rear	1	PR:Q1J,4A4

Model: 9PA108

Model life 2007>>2010



Model: 9PA108 Model life 2007>>2010

Pos	Part Number	Description	Remark	Qty	Model
		Head restraint Accessories Backrest frame Ski bag			
1	955 522 811 06	Head restraint	left	1	PR:N1X,N7F
	955 522 811 06 SXG	Black			
	955 522 811 06 SXH	steel grey			
	955 522 811 06 SXJ	Sand beige			
(1)	955 522 812 07	Head restraint	left	1	PR:N1P,N5Y
	955 522 812 07 WAG	chestnut brown			
(1)	955 522 813 06	Head restraint	left	1	PR:N5U,N7D, N1M,N2S
	955 522 813 06 SXL	Black			
	955 522 813 06 SXM	steel grey			
	955 522 813 06 SXN	Sand beige			
(1)	955 522 814 06	Head restraint	right	1	PR:N5U,N7D, N1M,N2S
	955 522 814 06 SXL	Black			
	955 522 814 06 SXM	steel grey			
	955 522 814 06 SXN	Sand beige			
(1)	955 522 812 06	Head restraint	right	1	PR:N1X,N7F
	955 522 812 06 SXG	Black			
	955 522 812 06 SXH	steel grey			
	955 522 812 06 SXJ	Sand beige			
(1)	955 522 800 07	Head restraint	right	1	PR:N1P,N5Y
	955 522 800 07 WAG	chestnut brown			
2	955 522 818 05	Head restraint	center	1	PR:N5U,N7D, Q1D,Q2J
	955 522 818 05 SXL	Black			
	955 522 818 05 SXM	steel grey			
	955 522 818 05 SXN	Sand beige			
(2)	955 522 816 00	Head restraint	center	1	PR:N1M,N2S, Q1J
	955 522 816 00 SXL	Black			
	955 522 816 00 SXM	steel grey			
	955 522 816 00 SXN	Sand beige/sand beige			
(2)	955 522 801 07	Head restraint	center	1	PR:N1P,N5Y, Q1D,Q2J
	955 522 801 07 WAG	Back seat backrest chestnut brown			
(2)	955 522 817 00	Head restraint	center	1	PR:N1P,Q1J
	955 522 817 00 WAG	Back seat backrest chestnut brown			
(2)	955 522 819 05	Head restraint	center	1	PR:N1X,N7F, Q1D,Q2J
	955 522 819 05 SXG	Black			
	955 522 819 05 SXH	steel grey			
	955 522 819 05 SXJ	Sand beige			
3	955 521 825 00	guide sleeve		1	
	955 521 825 00 9B9	Head restraint Satin black			
	955 521 825 00 6C6	Sand beige			
	955 521 825 00 7A8	steel grey			
	955 521 825 00 K40	chestnut brown			
(3)	955 521 826 00	guide sleeve		1	
	955 521 826 00 6C6	Key Head restraint Sand beige			
	955 521 826 00 7A8	steel grey			
	955 521 826 00 K40	chestnut brown			
(3)	955 521 826 01	guide sleeve		1	
	955 521 826 01	Key Head restraint			

Model: 9PA108 Model life 2007>>2010

Pos	Part Number	Description	Remark	Qty	Model
4	955 521 826 01 9B9 955 522 875 03	Satin black backrest frame	right	1	
5	955 522 877 01	Bodyshell backrest frame	left	1	
6	955 522 943 01	Bodyshell Trim for armrest		1	
		Back seat backrest			
	955 522 943 01 01C	Satin black			
	955 522 943 01 6C6	Sand beige			
	955 522 943 01 7A8	steel grey			
	955 522 943 01 K40	chestnut brown			
7	955 522 950 01	Frame		1	
		Ski bag			
	955 522 950 01 01C	Satin black			
	955 522 950 01 6C6	Sand beige			
	955 522 950 01 7A8	steel grey			
	955 522 950 01 K40	chestnut brown			
8	955 522 955 01	Ski bag		1	PR: 3MT, 3X1
		Velour			
	955 522 955 01 8B2	Black			
	955 522 955 01 8C3	steel grey			
	955 522 955 01 8D4	Sand beige			
	955 522 955 01 L63	chestnut brown			
(8)	955 522 956 01	Ski bag		1	PR: 3ME, 3X1
		Tufting velour			
	955 522 956 01 7H1	Black			
	955 522 956 01 7J2	steel grey			
	955 522 956 01 7K3	Sand beige			
	955 522 956 01 AV1	chestnut brown			
9	955 522 931 01	Release	left	1	
		Back seat backrest			
		D >> - MJ 2007			
		Discontinued part			
(9)	955 522 931 02	Release	left	1	
		Back seat backrest			
		D - MJ 2008>>			
(9)	955 522 932 01	Release	right	1	
		Back seat backrest			
		D >> - MJ 2007			
		Discontinued part			
(9)	955 522 932 02	Release	right	1	
		Back seat backrest			
		D - MJ 2008>>			
10	N 106 101 01	countersunk multi-point socket head bolt		2	
		Mount			
		Release			
11	955 522 781 00	Bearing bush	left	1	
		backrest	outer		
12	955 522 782 00	Bearing bush	right	1	
		backrest	outer		
13	955 522 785 00	Mounting	inner	1	
		backrest			
14	955 522 787 00	Cover cap		1	PR: 3NW
		Securing bars			
		Armrest			
15	955 522 789 00	Bracket		3	
		rear panel			
-	955 522 791 00	Pin		3	
		Bracket			
-	955 522 793 00	Spring		3	
		Bracket			
-	955 522 795 00	Washer		6	

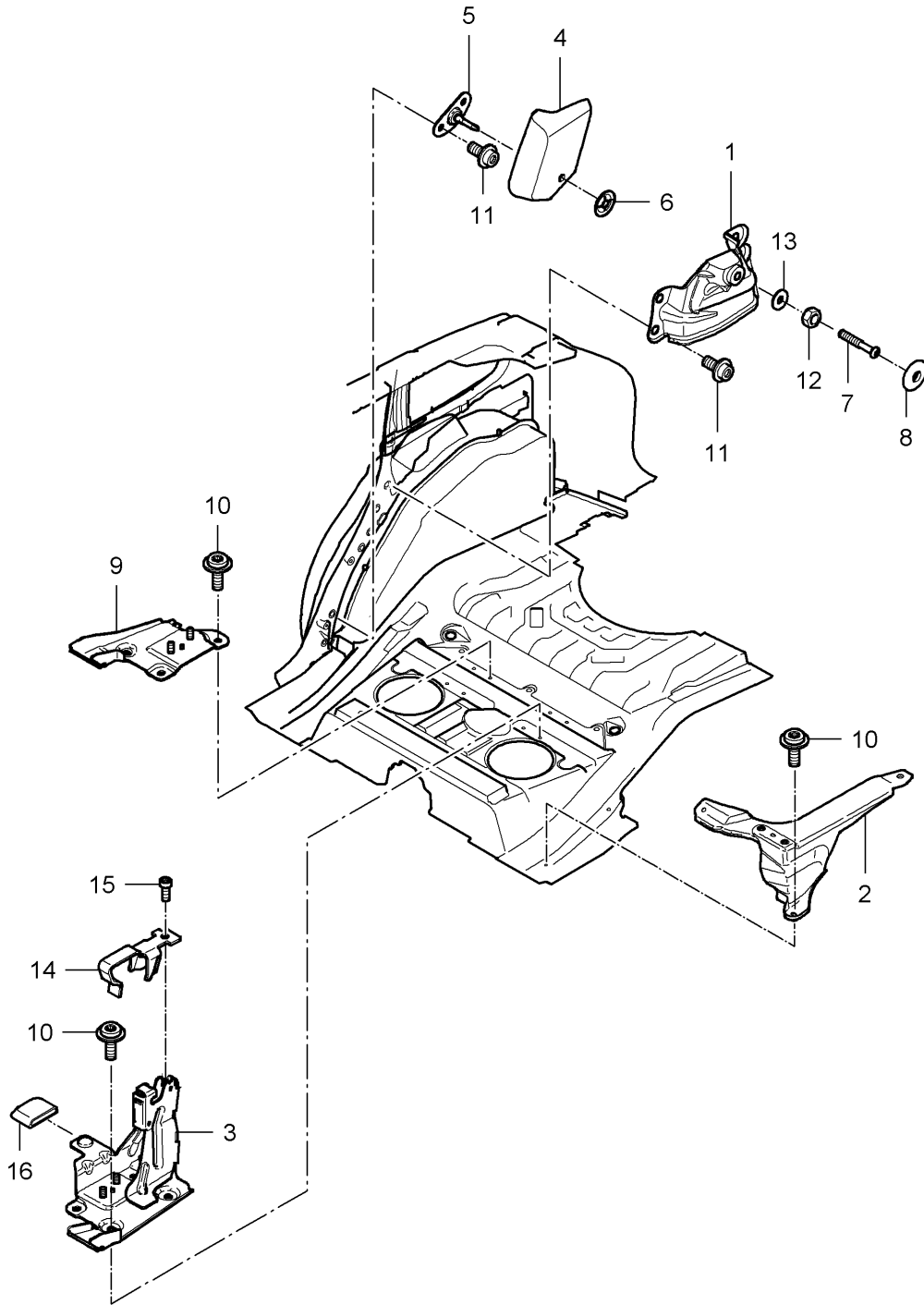
Model: 9PA108

Model life 2007>>2010

Pos	Part Number	Description	Remark	Qty	Model
		Bracket			

Model: 9PA108

Model life 2007>>2010



Model: 9PA108 Model life 2007>>2010

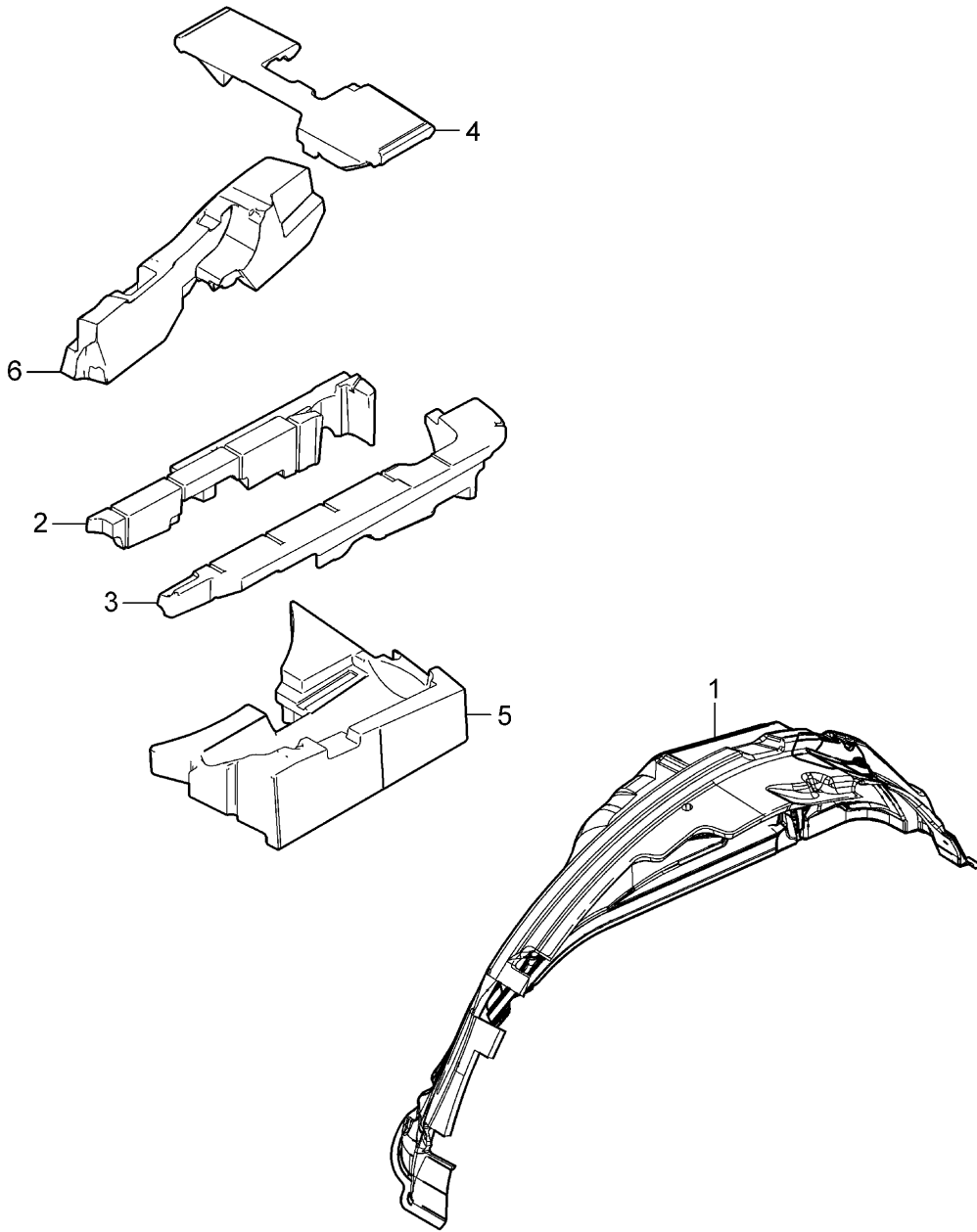
Pos	Part Number	Description	Remark	Qty	Model
		Seat support Bracket Fasteners			
1	955 522 701 00	Bracket mount	left	1	
(1)	955 522 702 00	Bracket mount	right	1	
		Back seat backrest			
2	955 522 708 00	Console	left	1	PR:3NW
(2)	955 522 708 02	Console	left	1	PR:3NW
(2)	955 522 709 02	Console	right	1	PR:3NW
(2)	955 522 709 04	Console	right	1	PR:3NW
		Mounting block			
3	955 522 712 03	Bracket		1	PR:3NW
(3)	955 522 712 05	Bracket		1	PR:3NW
		Seat Mittellager Dreierbank D >> - MJ 2008			
(3)	955 522 712 06	Bracket		1	PR:3NW
		Seat Mittellager Dreierbank D - MJ 2009>>			
4	955 522 721 07	Cushioning Side part Back seat backrest	left	1	PR:N1P,N5Y, Q1D,Q2J
	955 522 721 07 J69	chestnut brown			
4	955 522 727 00	Cushioning Side part Back seat backrest	left	1	PR:N1P,Q1J
	955 522 727 00 J69	chestnut brown			
(4)	955 522 722 07	Cushioning Side part Back seat backrest	right	1	PR:N1P,N5Y, Q1D,Q2J
	955 522 722 07 J69	chestnut brown			
(4)	955 522 728 00	Cushioning Side part Back seat backrest	right	1	PR:N1P,Q1J
	955 522 728 00 J69	chestnut brown			
(4)	955 522 721 01	Cushioning	side	1	PR:N1X,N7F, Q1D,Q2J
		Back seat backrest			
	955 522 721 01 A08	Black			
	955 522 721 01 T25	Sand beige			
	955 522 721 01 6E1	steel grey			
(4)	955 522 722 01	Cushioning	side	1	PR:N1X,N7F, Q1D,Q2J
		Back seat backrest			
	955 522 722 01 A08	Black			
	955 522 722 01 T25	Sand beige			
	955 522 722 01 6E1	steel grey			
(4)	955 522 723 01	Cushioning	side	1	PR:N5U,N7D, Q1D,Q2J
	955 522 723 01 6B7	steel grey			
	955 522 723 01 8G1	Sand beige			
	955 522 723 01 8YR	Black			
(4)	955 522 724 01	Cushioning	side	1	PR:N5U,N7D, Q1D,Q2J
	955 522 724 01 6B7	steel grey			
	955 522 724 01 8G1	Sand beige			
	955 522 724 01 8YR	Black			
(4)	955 522 725 00	Cushioning	left side	1	PR:N2S,N1M, Q1J
		sports seat D - MJ 2008>>			
	955 522 725 00 J69	chestnut brown			

Model: 9PA108 Model life 2007>>2010

Pos	Part Number	Description	Remark	Qty	Model
(4)	955 522 725 00 6B7	steel grey	right side	1	PR:N2S,N1M, Q1J
	955 522 725 00 8G1	Sand beige			
	955 522 725 00 8YR	Black			
	955 522 726 00	Cushioning			
		sports seat D - MJ 2008>>			
	955 522 726 00 J69	chestnut brown			
	955 522 726 00 6B7	steel grey			
	955 522 726 00 8G1	Sand beige			
	955 522 726 00 8YR	Black			
5	955 522 735 00	Mounting	left	1	PR:3NW
(5)	955 522 734 00	Mounting	right	1	PR:3NW
		backrest			
(6)	955 522 741 00	Clamping washer	left a. right	2	
		Mount			
		Padding			
7	955 522 750 00	Cotter pin	left a. right	2	
		Locking mechanism			
		Backrest			
8	955 522 755 01	Cover panel	left a. right	2	
		Cotter pin			
		Bracket mount			
9	955 522 760 01	Mounting block		1	PR:3NW
10	N 910 260 03	Socket head bolt with inner multipoint head		X	
		Mount			
		Mounting block			
11	N 907 870 03	Socket head bolt with inner multipoint head (Kombi)		X	
		Mount			
		Bracket mount			
12	N 021 281 6	Hexagon nut		2	PR:3NW
		Cotter pin			
13	N 907 771 03	Washer		2	PR:3NW
		Cotter pin			
14	955 522 770 02	Bracket		1	PR:3NW
		Bracket			
15	N 103 122 01	Hex socket oval head collared		1	
		Bracket			
		Bracket			
16	955 522 714 00	Stop buffer		1	
		Bracket			
		Bracket			

Model: 9PA108

Model life 2007>>2010



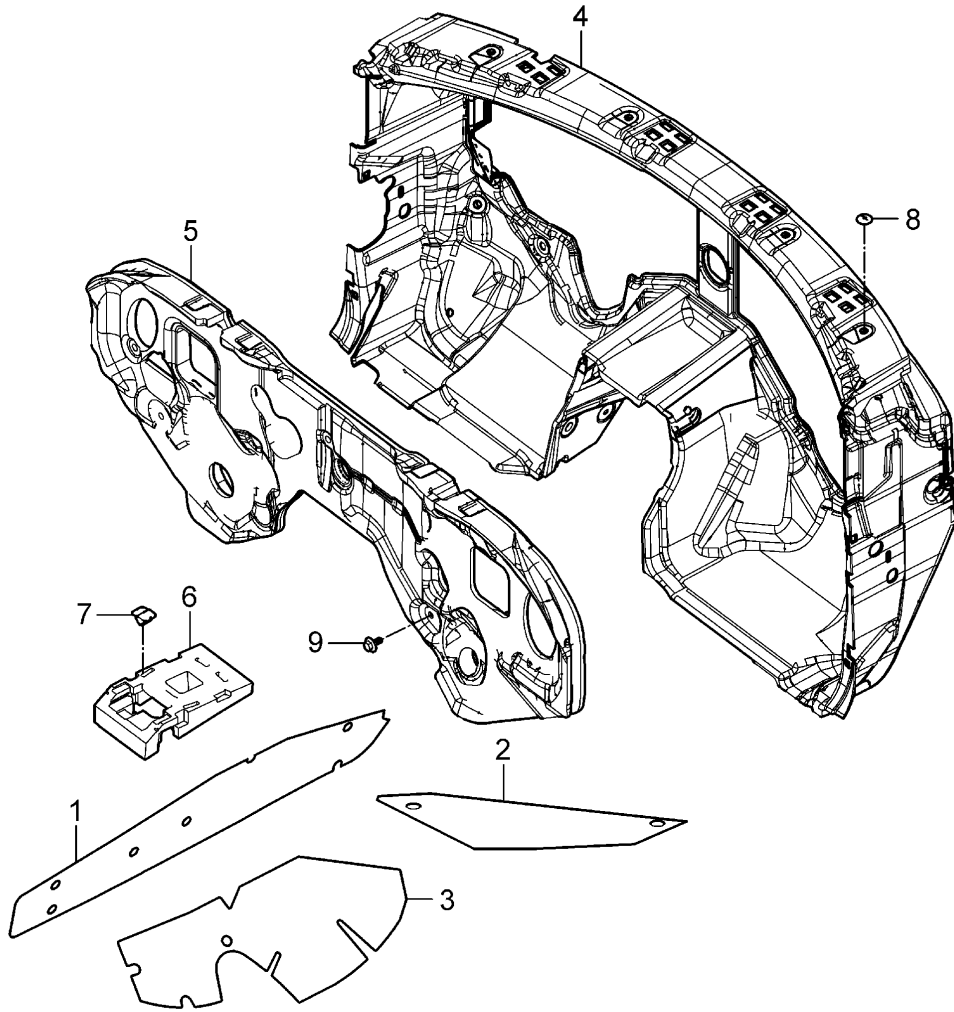
Model: 9PA108

Model life 2007>>2010

Pos	Part Number	Description	Remark	Qty	Model
1	955 556 607 03	Sound absorber Luggage compartment sound absorb.for wheel housing	left	1	PR:9AH
(1)	955 556 611 02	sound absorb.for wheel housing	left	1	PR:9AB,9AD
(1)	955 556 608 02	sound absorb.for wheel housing	right	1	PR:3W4,3W7
2	955 556 743 01	Damping Luggage compartment Floor	left inner	1	PR:3GE
(2)	955 556 744 01	Damping Luggage compartment Floor	right inner	1	PR:3GE
3	955 556 801 01	Damping Luggage compartment Floor	left outer	1	PR:3GE
(3)	955 556 802 01	Damping Luggage compartment Floor	right outer	1	PR:3GE
(3)	955 556 421 00	Damping Luggage compartment Floor	outer	1	PR:3GN
4	955 556 809 00	sound absorb. for cross member		1	
5	955 556 895 02	Damping Spare wheel well	left	1	
6	955 556 233 01	Damping for heat exchanger	left	1	PR:9AH

Model: 9PA108

Model life 2007>>2010

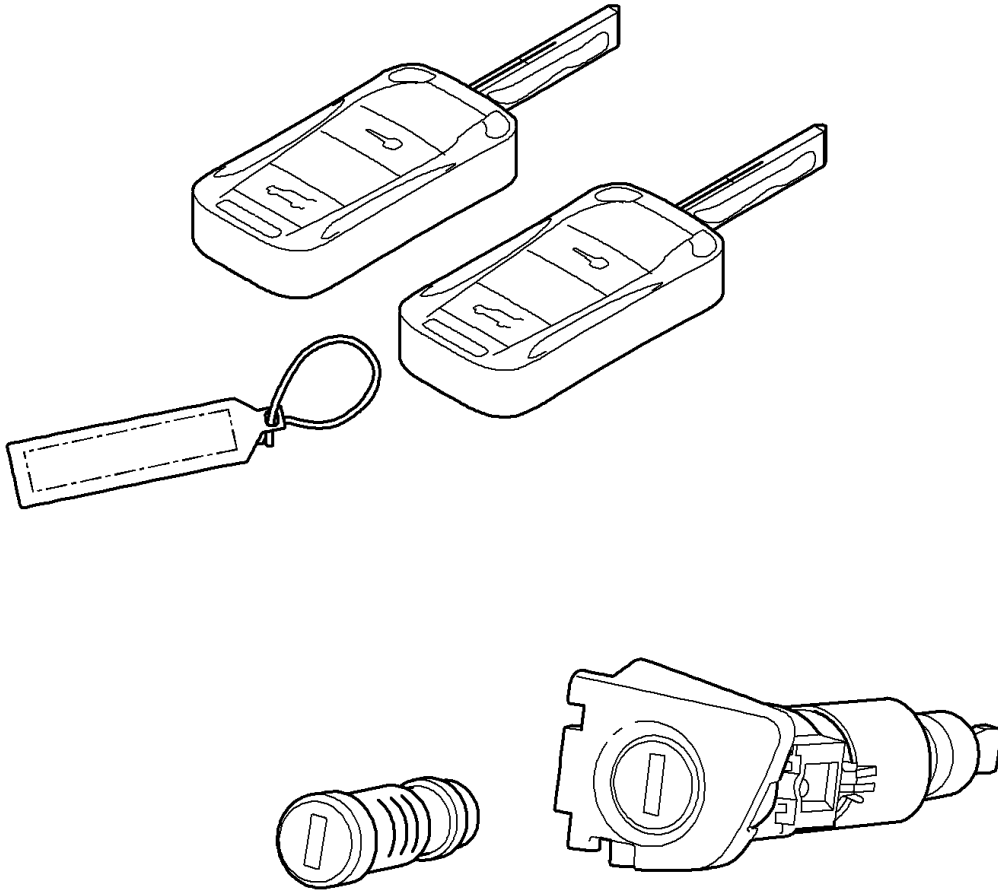


Model: 9PA108 Model life 2007>>2010

Pos	Part Number	Description	Remark	Qty	Model
1	955 556 815 00	Sound absorber Passenger compartment Sound absorber tunnel	left	1	
2	955 556 816 00	Sound absorber tunnel	right front	1	
3	955 556 818 00	Sound absorber tunnel	right rear	1	
4	955 556 623 02	Damping for cowl	lhd	1	PR:LOL
(4)	955 556 624 02	Damping for cowl	rhd	1	PR:LOR
5	955 556 595 01	Damping	lhd	1	PR:LOL
		with:			
(5)	955 556 596 01	Assembly plate Damping	rhd	1	PR:LOR
		with:			
6	955 556 531 01	Assembly plate Damping Shift gate		1	PR:GOL
(6)	955 556 532 01	Damping Shift gate		1	PR:GOR
7	955 556 761 00	Bracket Damping		X	
8	955 556 761 00 01C 955 556 760 00	Satin black Retaining clip Damping Firewall		X	
9	955 556 760 00 01C N 905 483 05	Black Hex collared bolt M 8 x 20 for Mount Damping Assembly plate		X	

Model: 9PA108

Model life 2007>>2010



Model: 9PA108

Model life 2007>>2010

Pos	Part Number	Description	Remark	Qty	Model
		repair kits Set of locks comprising: Glove compartment lock Lock cylinders Key fob Handheld transmitter			
-	955 538 002 71	1 set of lock cylinders with handheld trans. & emerg. key	lhd	1	PR: 4K0, 4K3, L0L, 5D1, 5D9
-	955 538 003 18	1 set of lock cylinders with handheld trans. & emerg. key	lhd	1	PR: 4K0, 4K3, L0L, 5D1, 5D9
-	955 538 002 76	1 set of lock cylinders with handheld trans. & emerg. key	lhd	1	PR: 4F2, 4F6, L0L, 5D1, 5D9
-	955 538 002 92	1 set of lock cylinders with handheld trans. & emerg. key	lhd	1	PR: 4F2, 4F6, L0L, 5D1, 5D9
-	955 538 003 22	1 set of lock cylinders with handheld trans. & emerg. key	lhd	1	PR: 4F2, 4F6, L0L, 5D1, 5D9
		'Keyless Entry (KESY)' (manufactured to order, please provide vehicle ident. number when ordering)			
-	955 538 002 97	1 set of lock cylinders with handheld trans. & emerg. key	lhd	1	Diesel PR: 4F2, 4F6, L0L, 5D1, 5D9
		'Keyless Entry (KESY)' (manufactured to order, please provide vehicle ident. number when ordering)			
-	955 538 002 94	1 set of lock cylinders with handheld trans. & emerg. key	rhd	1	PR: 4F2, 4F6, L0R, 5D1, 5D9
-	955 538 003 24	1 set of lock cylinders with handheld trans. & emerg. key	rhd	1	PR: 4F2, 4F6, L0R, 5D1, 5D9
		'Keyless Entry (KESY)' (manufactured to order, please provide vehicle ident. number when ordering)			
-	955 538 002 73	1 set of lock cylinders with handheld trans. & emerg. key	rhd	1	PR: 4K0, 4K3, 1A2, L0R, 5D1, 5D9
-	955 538 003 20	1 set of lock cylinders with handheld trans. & emerg. key	rhd	1	PR: 4K0, 4K3, 1A2, L0R, 5D1, 5D9
-	955 538 002 74	1 set of lock cylinders with handheld trans. & emerg. key	rhd	1	PR: 4K0, 4K3, 5D3, L0R
-	955 538 003 26	1 set of lock cylinders with handheld trans. & emerg. key	rhd	1	PR: 4K0, 4K3, 5D3, L0R
-	955 538 002 75	1 set of lock cylinders with handheld trans. & emerg. key	lhd	1	PR: 4K0, 4K3, 5D3, L0L
-	955 538 003 21	1 set of lock cylinders with handheld trans. & emerg. key	lhd	1	PR: 4K0, 4K3, 5D3, L0L
-	955 538 002 79	1 set of lock cylinders with handheld trans. & emerg. key	rhd	1	PR: 4F2, 4F6, 5D3, L0R
-	955 538 002 95	1 set of lock cylinders with handheld trans. & emerg. key	rhd	1	PR: 4F2, 4F6, 5D3, L0R
-	955 538 003 25	1 set of lock cylinders with handheld trans. & emerg. key	rhd	1	PR: 4F2, 4F6, 5D3, L0R
-	955 538 002 80	1 set of lock cylinders with handheld trans. & emerg. key	lhd	1	PR: 4F2, 4F6, 5D3, L0L
-	955 538 003 27	1 set of lock cylinders with handheld trans. & emerg. key	lhd	1	PR: 4F2, 4F6, 5D3, L0L
-	955 538 902 87	Set of locks 'Keyless Entry (KESY)' Handheld transmitter	lhd	1	Diesel PR: 4F2, 4F6, 5D1, 5D9, D50,

Model: 9PA108

Model life 2007>>2010

Pos	Part Number	Description	Remark	Qty	Model
-	955 538 003 31	3-part Vehicle Ident. No. Indicate 1 set of lock cylinders with handheld trans. & emerg. key 'Keyless Entry (KESY)' Handheld transmitter (manufactured to order, please provide vehicle ident. number when ordering) Discontinued part	3-part lhd	1	L0L Diesel PR:4F2,4F6, 5D1,D50,L0L
-	955 538 003 31	1 set of lock cylinders with handheld trans. & emerg. key (manufactured to order, please provide vehicle ident. number when ordering) Discontinued part	3-part lhd	1	Diesel PR:4K0,4K3, 5D1,D50,L0L
-	955 538 903 29	Set of locks 'Keyless Entry (KESY)' Handheld transmitter 3-part Vehicle Ident. No. Indicate	lhd	1	Diesel PR:4F2,4F6, 5D1,D50,L0L
-	955 538 903 29	Set of locks Basic Handheld transmitter 3-part Vehicle Ident. No. Indicate	lhd	1	Diesel PR:4K0,4K3, 5D1,D50,L0L
-	955 538 902 88	Set of locks 'Keyless Entry (KESY)' Handheld transmitter 3-part Vehicle Ident. No. Indicate Discontinued part	rhd	1	Diesel PR:4F2,4F6, 5D1,5D9,D50, L0R
-	955 538 003 32	1 set of lock cylinders with handheld trans. & emerg. key 'Keyless Entry (KESY)' (manufactured to order, please provide vehicle ident. number when ordering) Discontinued part	3-part rhd	1	Diesel PR:4F2,4F6, 5D1,D50,L0R
-	955 538 003 32	1 set of lock cylinders with handheld trans. & emerg. key 'Keyless Entry (KESY)' (manufactured to order, please provide vehicle ident. number when ordering) Discontinued part	3-part rhd	1	Diesel PR:4K0,4K3, 5D1,D50,L0R
-	955 538 903 30	Set of locks 'Keyless Entry (KESY)' Handheld transmitter 3-part Vehicle Ident. No. Indicate	rhd	1	Diesel PR:4F2,4F6, 5D1,D50,L0R
-	955 538 903 30	Set of locks 'Keyless Entry (KESY)' Handheld transmitter	rhd	1	Diesel PR:4K0,4K3, 5D1,D50,L0R

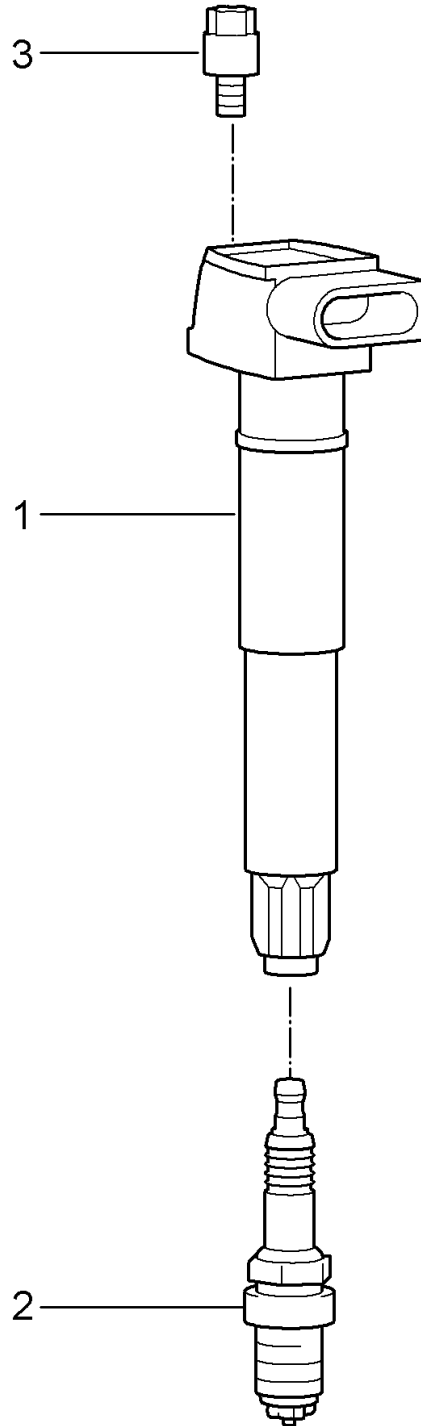
Model: 9PA108

Model life 2007>>2010

Pos	Part Number	Description	Remark	Qty	Model
-	955 538 902 86	3-part Vehicle Ident. No. Indicate Set of locks Handheld transmitter	lhd	1	Diesel PR:0F9,4K0, 4K3,5D1,5D9, D50,L0L
-	955 538 003 33	3-part Vehicle Ident. No. Indicate Discontinued part 1 set of lock cylinders with handheld trans. & emerg. key (manufactured to order, please provide vehicle ident. number when ordering) Discontinued part	3-part lhd	1	Diesel PR:0F9,4K0, 4K3,5D1,5D9, D50,L0L

Model: 9PA108

Model life 2007>>2010



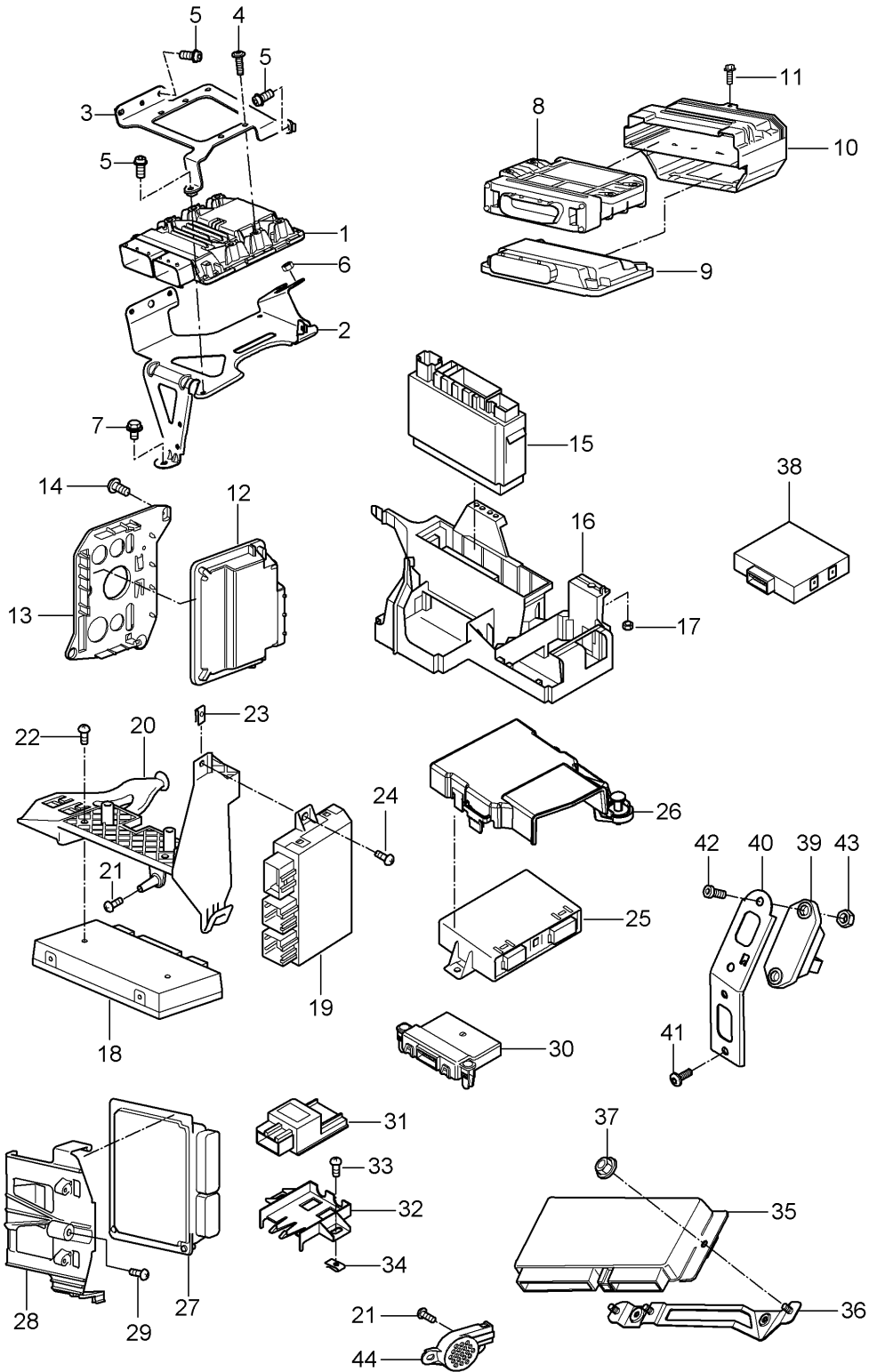
Model: 9PA108

Model life 2007>>2010

Pos	Part Number	Description	Remark	Qty	Model
1	948 602 104 04	Ignition system Ignition coil D >> - MJ 2008 Discontinued part		8	4801,4851
1	948 602 104 10	Ignition coil Discontinued part		8	4801,4851
1	948 602 104 11	Ignition coil		8	4801,4851
(1)	955 602 101 05	Ignition coil		6	PR:D5X
2	955 170 220 90	Spark plug ILZKR7A		6	PR:D5X
2	955 170 320 90	Glow plug		6	PR:D50
(2)	999 170 122 90	Spark plug FGR 5NQEO M >> 9 05540 M >> G 9 04964		8	4801
(2)	999 170 130 90	Spark plug FGR 5NQE M 9 05541 >> M G 9 04965 >>		8	4801
(2)	999 170 228 90	Spark plug FR6 NPP		8	4851
3	948 105 145 02	Screw M >> 9 05540 M >> G 9 04964		8	4801,4851
3	948 105 146 00	Screw M 9 05541 >> M G 9 04965 >>		8	4801,4851

Model: 9PA108

Model life 2007>>2010



Model: 9PA108 Model life 2007>>2010

Pos	Part Number	Description	Remark	Qty	Model
(1)	955 618 603 01	Control units Control unit - dme -		1	PR:D5X
(1)	955 618 603 10	Control unit - dme - See technical information GR. 9 NR. 3/09 KD -NR. 2470		1	PR:D50,7GG
(1)	955 618 603 20	Control unit - dme - See technical information GR. 9 NR. 3/09 KD - NR 2470		1	PR:D50,0GZ
(1)	955 618 604 03	Control unit - dme -		1	PR:D5V,D5Z
2	955 618 233 00	Retainer for control units		1	PR:D5V,D5Z
3	955 618 234 00	Retainer for control units		1	PR:D5V,D5Z
(3)	955 618 133 02	Retainer for control units		1	PR:D5X
(3)	955 618 133 02	Retainer for control units		1	PR:D50
-	955 618 150 00	Clip	side	2	PR:D5X
-	955 618 151 00	Clip	rear	1	PR:D5X
4	N 105 215 03	Oval hexagon socket head bolt M 6 X 16		5	PR:D5V,D5Z
5	N 102 480 03	Socket head bolt with inner multipoint head M 6 X 14		4	PR:D5V,D5Z
6	N 015 082 9	Hexagon collar nut M 6		2	
7	N 101 563 07	Hex collared bolt M 6 X 12		1	
8	955 618 120 03	Control unit for automatic gearbox F >> 9P-8LA26 516 F >> 9P-8LA26 515		1	PR:G0R,D5X
8	955 618 120 04	Control unit for automatic gearbox F 9P-8LA26 517>> F 9P-8LA26 516>> D >> - MJ 2008 Discontinued part		1	PR:G0R,D5X
8	955 618 120 05	Control unit for automatic gearbox F 9P-8LA26 517>> F 9P-8LA26 516>> D >> - MJ 2009 Discontinued part		1	PR:G0R,D5X
8	955 618 120 06	Control unit for automatic gearbox F 9P-8LA26 517>> F 9P-8LA26 516>>		1	PR:G0R,D50
8	955 618 120 10	Control unit for automatic gearbox D - MJ 2009>> - MJ 2009		1	PR:G0R,D50
8	955 618 120 11	Control unit for automatic gearbox D - MJ 2010>>		1	PR:G0R,D50
(8)	955 618 121 03	Control unit for automatic gearbox F >> 9P-8LA52 982 F >> 9P-8LA52 988		1	PR:G0R,D5V
(8)	955 618 121 04	Control unit for automatic gearbox F 9P-8LA52 983>>		1	PR:G0R,D5V

Model: 9PA108 Model life 2007>>2010

Pos	Part Number	Description	Remark	Qty	Model
(8)	955 618 121 05	F 9P-8LA52 989>> D >> - MJ 2009 Discontinued part Control unit for automatic gearbox		1	PR:G0R,D5V
(8)	955 618 121 10	F 9P-8LA52 983>> F 9P-8LA52 989>> Control unit for automatic gearbox		1	
(8)	955 618 121 11	F >> 9P-8LA73 576 F >> 9P-8LA73 577 Control unit for automatic gearbox		1	PR:G0R,E0W,D5V
(8)	955 618 121 12	F 9P-8LA73 577>> F 9P-8LA73 578>> D >> - MJ 2009 Control unit for automatic gearbox		1	PR:G0R,E0W,E2D,D5V PR:G0R,E0W,E1T,E2D,D5V
(8)	955 618 122 03	D - MJ 2010>> Control unit for automatic gearbox		1	PR:G0R,D5Z
(8)	955 618 122 04	F >> 9P-8LA96 403 F >> 9P-8LA96 436 Control unit for automatic gearbox		1	PR:G0R,D5Z
(8)	955 618 122 05	F 9P-8LA96 404>> F 9P-8LA96 437>> D >> - MJ 2009 Control unit for automatic gearbox		1	PR:G0R,D5Z
(8)	955 618 122 10	D - MJ 2010>> Control unit for automatic gearbox		1	PR:G0R,E81
(8)	955 618 122 11	F >> 9P-8LA96 403 F >> 9P-8LA96 436 Control unit for automatic gearbox		1	PR:G0R,E81
(8)	955 618 122 12	F 9P-8LA96 404>> F 9P-8LA96 437>> D >> - MJ 2009 Control unit for automatic gearbox		1	PR:G0R,E81
(8)	955 618 122 11	D - MJ 2010>> Control unit for automatic gearbox		1	PR:G0R,E8A
(8)	955 618 122 12	D - MJ 2009>> - MJ 2009 Control unit for automatic gearbox		1	PR:G0R,E8A
9	955 618 025 02	D - MJ 2010>> Control unit Lock control Lengthways		1	PR:G0R
9	955 618 025 03	D >> - MJ 2008 Discontinued part Control unit Lock control Lengthways		1	PR:G0R
(9)	955 618 025 22	Control unit Lock control		1	PR:G0L

Model: 9PA108

Model life 2007>>2010

Pos	Part Number	Description	Remark	Qty	Model
(9)	955 618 025 23	Lengthways D >> - MJ 2008 Discontinued part Control unit Lock control		1	PR:G0L
10	955 618 129 01	Lengthways Bracket		1	
11	N 101 711 05	Hex collared bolt M 6 X 16		1	
12	955 618 024 04	Control unit Lock control Transverse		1	PR:1Y1
13	955 618 130 00	Bracket		1	PR:1Y1
14	N 104 734 01	Hexagon socket head panel bolt 6 X 20		3	PR:1Y1
15	955 618 127 00	Onboard supply control unit		1	PR:J0L,J0Z, J1U
16	955 618 131 01	bracket for vehicle's electrical system control unit	lhd	1	PR:L0L
(16)	955 618 132 00	bracket for vehicle's electrical system control unit	rhd	1	PR:L0R
17	N 102 058 02	Hexagon collar nut self-locking M 6		1	
18	955 618 059 01	Control unit Rear end		1	
19	955 618 040 10	Control unit Tow hitch		1	
19	955 618 040 11	D - MJ 2008>> - MJ 2008 Discontinued part Control unit Tow hitch		1	
19	955 618 040 12	D - MJ 2008>> - MJ 2008 Discontinued part Control unit Tow hitch		1	
20	955 618 137 00	Retainer for control units		1	
21	N 104 648 02	Oval hexagon socket head bolt 4 X 12		3	
22	N 104 592 01	Hexagon socket head bolt M 5 X 12		2	
23	N 904 759 03	Speed nut M 5 X 13,6 X 11,5		1	
24	N 103 383 02	setting screw M 5 X 12		1	
25	955 618 042 01	Control unit for parking aid		1	
26	955 618 136 00	bracket for parking aid control unit		1	
27	955 618 304 01	Control unit for adaptive suspension		1	PR:1BK,-D50
27	955 618 304 01	Control unit for adaptive suspension		1	PR:1BK,D50
(27)	955 618 304 10	Control unit for adaptive suspension		1	PR:E0W,E1T, 1BH,1BK
28	955 618 215 00	Bracket		1	
29	N 104 159 03	Oval hexagon socket head bolt 4 X 12		2	
30	955 610 127 02	Control unit for gateway		1	
31	955 618 045 00	Control unit for reversing camera system		1	PR:7X8,7X9
32	955 618 050 00	Bracket		1	PR:7X8,7X9
33	N 908 195 01	Oval-head screw		2	PR:7X8,7X9

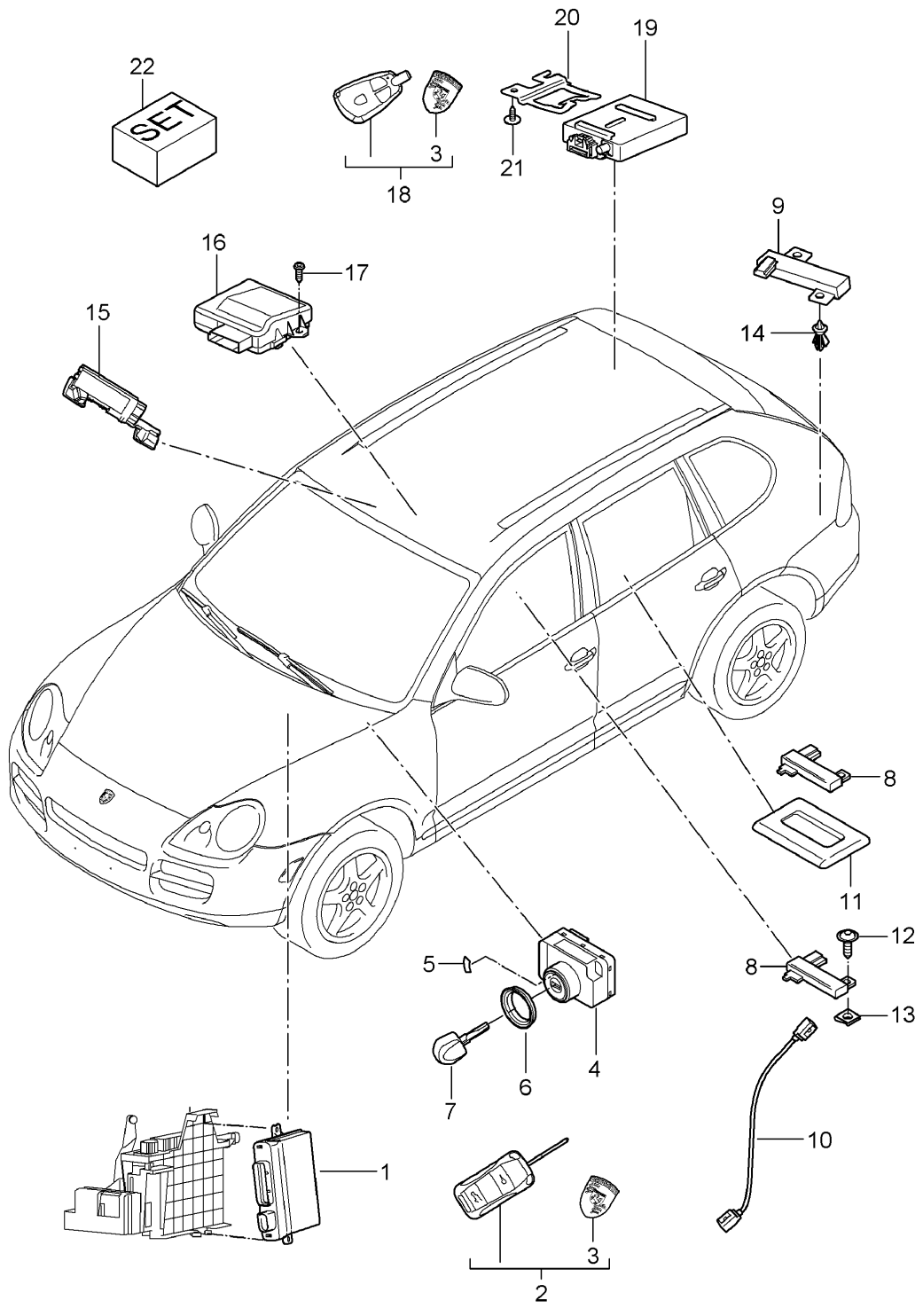
Model: 9PA108

Model life 2007>>2010

Pos	Part Number	Description	Remark	Qty	Model
34	N 106 697 01	ST 4,8 X 13 speed nut		2	PR:7X8,7X9
35	955 618 068 00	ST 4,8 Control unit - PDCC - No longer use the part here		1	PR:0AW,1BK
35	955 618 068 01	Control unit - PDCC - No longer use the part here		1	PR:0AW,1BK
35	955 618 068 03	Control unit - PDCC -		1	PR:0AW,1BK
35	955 618 068 10	Control unit - PDCC - No longer use the part here		1	PR:E0W,0AW, 1BK
35	955 618 068 12	Control unit - PDCC -		1	PR:E0W,0AW, 1BK
35	955 618 068 12	Control unit - PDCC -		1	PR:E1T,0AW, 1BK
36	955 618 070 00	Retainer for control units		1	PR:0AW
37	N 015 082 10	Hexagon collar nut M 6		2	PR:0AW
38	955 618 080 00	Control unit Rear lid		1	PR:4E7
-		Bracket see illustration:	803-007	1	PR:4E7
39	955 618 082 00	Accelerator sensor		1	PR:4E7
40	955 618 084 00	Retainer for acceleration sensor		1	PR:4E7
41	N 905 988 04	Oval hexagon socket head bolt M 6 x 12		2	PR:4E7
42	900 119 091 02	Socket head bolt M 6 X 16		2	PR:4E7
43	900 084 031 02	Hexagon nut M 6		2	PR:4E7
44	955 641 230 00	buzzer Warning function		1	PR:4E7
-		Alarm horn Control unit Tilt angle sensor see illustration:	903-000		

Model: 9PA108

Model life 2007>>2010



Model: 9PA108 Model life 2007>>2010

Pos	Part Number	Description	Remark	Qty	Model
(1)	955 618 036 05	Control units Ignition/starter switch Garage door opener Receiving part Auxiliary heater Aerial Control unit for central locking Immobiliser alarm system		1	PR:5D2,5D3
(1)	955 618 035 08	Control unit for central locking Immobiliser alarm system		1	PR:5D1
-		Bracket see illustration:	901-003		
2	955 637 945 02	Handheld transmitter with stipulated lock number State lock number		1	PR:D5V,D5X, D5Z,5D2,4F6, 4K0
2	955 637 945 02 01C 955 637 945 12	Satin black Handheld transmitter with stipulated lock number State lock number		1	PR:D5V,D5X, D5Z,5D3,4F2, 4K3
(2)	955 637 945 12 01C 955 637 945 22	Satin black Handheld transmitter with stipulated lock number State lock number		1	PR:D5V,D5X, D5Z,5D1,4F2, 4K3
2	955 637 945 22 01C 955 637 945 50	Satin black Handheld transmitter Vehicle Ident. No. Indicate		1	PR:D50,5D1, 4F2,4K3
-	955 637 945 50 01C	Satin black		1	
3	999 611 108 00 996 637 443 00	Battery for hand sender Porsche crest Coloured for Handheld transmitter		1 1	
4	955 613 200 20 955 613 200 20 01C	Ignition/starter switch Satin black		1	
6	955 613 201 00	Nut		1	
7	955 637 241 01	Control panel		1	PR:4F2,4F6
8	955 647 101 00	Aerial	inner	3	PR:4F2,4F6
9	955 647 102 00	Aerial	outer	2	PR:4F2,4F6
10	955 647 210 01	Aerial cable Control unit Immobiliser To Bracket Roof		1	
11	955 647 151 00	Aerial bracket		1	PR:4F2,4F6, 9AD
(11)	955 647 152 00	Aerial bracket		1	PR:4F2,4F6, 9AH
12	N 908 095 01	Socket head bolt with inner hex round head M 5 X 10		2	PR:4F2,4F6
13	N 904 559 02	Speed nut M 5		2	PR:4F2,4F6
14	955 647 153 00	Clip		2	PR:4F2,4F6,

Model: 9PA108 Model life 2007>>2010

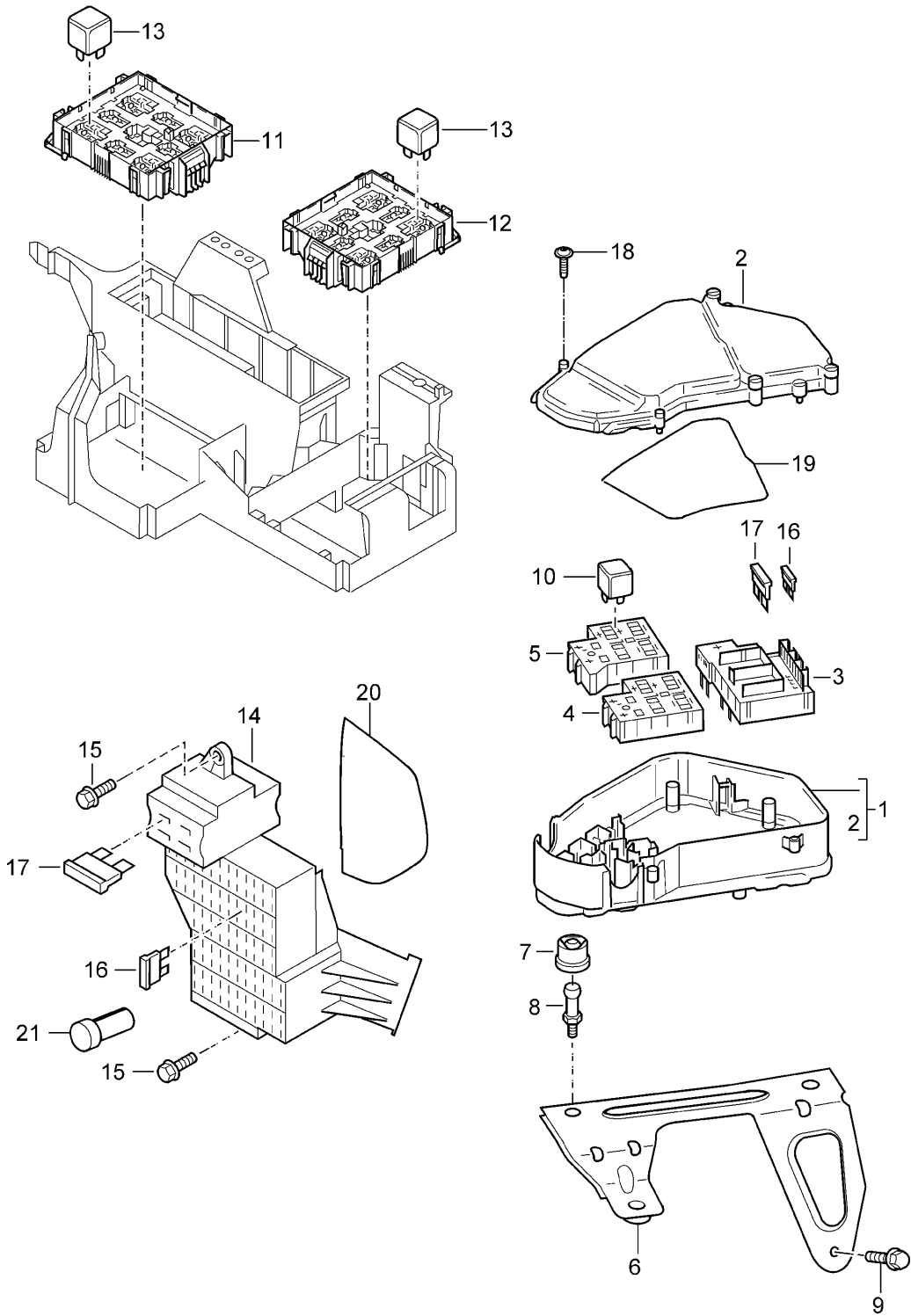
Pos	Part Number	Description	Remark	Qty	Model
15	955 618 210 00	Sensor for interior monitoring		1	1G3 PR: 7AH, 7AL, 7AT
16	955 618 039 01	Control unit		1	PR: VC1, 9MB
17	N 909 151 01	Garage door opener		2	
18	955 646 245 10	Oval-head screw 2,2 X 8		1	PR: 7VL
-	999 611 105 00	Handheld transmitter		2	
19	955 646 247 10	Auxiliary heater		1	PR: 7VL
20	955 646 160 00	Battery		1	
21	N 102 473 02	Handheld transmitter		2	
-		Auxiliary heater			
		Receiving part			
		Auxiliary heater			
		Bracket			
		oval head panel screw ST 4,8 X 16			
		Alarm horn			
		Control unit			
		Tilt angle sensor			
22	000 043 989 72	see illustration: Repair kit for control unit group with Keyless Access	903-000	1	PR: 2C5, D5X, D5V, D5Z, 5D2, L0L, 4F6, 4K0
(22)	000 043 989 73	Repair kit for control unit group with Keyless Access		1	PR: 2C5, D5X, D5V, D5Z, 5D2, L0L, 4F6, 4K0
(22)	000 043 989 74	Repair kit for control unit group with Keyless Access		1	PR: 2C4, D5X, D5V, D5Z, 5D1, L0R, 4F2, 4K3
(22)	000 043 989 75	Repair kit for control unit group with Keyless Access		1	PR: 2C4, D5X, D5V, D5Z, 5D2, L0L, 4F2, 4K0
(22)	000 043 989 76	Repair kit for control unit group with Keyless Access		1	PR: 2C4, D5X, D5V, D5Z, 5D2, L0L, 4F6, 4K3
(22)	000 043 989 77	Repair kit for control unit group with Keyless Access		1	PR: 2C5, D5X, D5V, D5Z, 5D1, L0R, 4F2, 4K3
(22)	000 043 989 78	Repair kit for control unit group with Keyless Access		1	PR: 2C5, D5X, D5V, D5Z, 5D1, L0R, 4F2, 4K3
(22)	000 043 989 79	Repair kit for control unit group with Keyless Access		1	PR: 2C4, D5X, D5V, D5Z, 5D1, L0R, 4F2, 4K3
(22)	000 043 989 80	Repair kit for control unit group with Keyless Access		1	PR: 2C5, D5X, D5V, D5Z, 7GG, 5D1, 5D9, L0L
(22)	000 043 989 81	Repair kit for control unit group with Keyless Access		1	PR: 2C5, D5X, D5V, D5Z, 7GG, 5D1, 5D9, L0R
(22)	000 043 989 89	Repair kit for control unit group with Keyless Access		1	PR: 2C5, 5D2, 5D3, L0L, 4F6, 4K0
(22)	000 043 989 92	Repair kit for control unit group with Keyless Access		1	PR: 2C5, 5D1, L0L, 4F2, 4K3
(22)	000 043 989 95	Repair kit for control unit group with Keyless Access		1	PR: 2C4, D5X, D5V, D5Z, 5D1, L0L, 4F2, 4K3
(22)	000 043 989 99	Repair kit for control unit group with Keyless Access		1	PR: 2C5, L0R, 5D2, 5D3, 4F2, 4K3
(22)	000 043 990 00	Repair kit for control unit		1	PR: 2C5, 5D1,

Model: 9PA108 Model life 2007>>2010

Pos	Part Number	Description	Remark	Qty	Model
(22)	000 043 990 02	group with Keyless Access Repair kit for control unit group with Keyless Access		1	L0L, 4F2, 4K3 PR: 2C5, L0L, 5D2, 5D3, 4F2, 4K3
(22)	000 043 990 10	Repair kit for control unit group with Keyless Access		1	PR: 2C4, L0L, 5D1, 7GG, 4F2, 4K3
(22)	000 043 990 11	Repair kit for control unit group with Keyless Access		1	PR: 2C4, D5X, D5V, D5Z, 5D2, 5D3, L0L, 4K3, 4F2
(22)	000 043 990 13	Repair kit for control unit group with Keyless Access		1	PR: 2C4, D5X, D5V, D5Z, 5D2, 4K0, 4F6, L0L
(22)	000 043 990 16	Repair kit for control unit group with Keyless Access		1	PR: 2C5, D5X, D5V, D5Z, 5D2, 4K0, 4F6, L0L
(22)	000 043 990 22	Repair kit for control unit group with Keyless Access		1	PR: 2C5, 5D2, 5D3, L0L, 4F6, 4K0
(22)	000 043 990 23	Repair kit for control unit group with Keyless Access		1	PR: 2C4, D5X, D5V, D5Z, 5D1, L0R, 4F2, 4K3
(22)	000 043 990 41	Repair kit for control unit group with Keyless Access		1	PR: 2C4, D5X, D5V, D5Z, 5D1, L0L, 4F2, 4K3
(22)	000 043 990 25	Repair kit for control unit group with Keyless Access		1	PR: 2C5, D5X, D5V, D5Z, 5D1, L0R, 4F2, 4K3
(22)	000 043 990 30	Repair kit for control unit group with Keyless Access		1	PR: 2C4, D5X, D5V, D5Z, 5D2, 5D3, L0R, 4F2, 4K3
(22)	991 043 990 00	Repair kit for control unit group with Keyless Access		1	PR: 2C4, 5DX 5D2, 5D3, L0R, 4F2, 4K3

Model: 9PA108

Model life 2007>>2010



Model: 9PA108 Model life 2007>>2010

Pos	Part Number	Description	Remark	Qty	Model
1	955 610 105 02	central electrics Fuse box	lhd	1	PR:L0L
(1)	955 610 106 02	central electrics water box	rhd	1	PR:L0R
2	955 610 111 01	Cover		1	
3	955 610 219 00	central electrics Carrier plate fuse		1	
4	955 610 109 00	central electrics Relay carrier 1		1	PR:-D50
4	955 610 109 10	central electrics Relay carrier 1		1	PR:D50
5	955 610 110 00	central electrics Relay carrier 2		1	
6	955 610 150 00	bracket - relay plate/fuse box		1	
7	955 610 122 00	Rubber bush		3	
8	955 610 153 00	Screw bolt		3	
9	N 103 469 04	Hexagon socket head collared bolt (combi) M 6 X 12		1	
10		Relay		X	
(10)	955 618 028 00	Control unit for glow plug relay location/code no.:	SRT1	1	PR:D50
(10)	955 615 029 00	Relay relay location/code no.:	S1/2	1	PR:D50
(10)	955 615 025 10	Relay relay location/code no.:	S1/3	1	
(10)	999 657 014 90	Relay Coolant pump relay location/code no.:	S1/5	1	PR:D5X,D5Z
(10)	999 657 015 90	Relay Coolant pump relay location/code no.:	S1/5	1	PR:D50
(10)	999 657 014 90	Relay Fuel pump relay location/code no.:	S1/6 left	1	
(10)	999 657 015 90	Relay Pump fuel cooling relay location/code no.:	S1/6	1	PR:D50
(10)	141 951 253 B	Relay Fuel pump relay location/code no.:	S2/2	1	PR:D50
(10)	999 657 015 90	Relay Fuel pump Engine bay relay location/code no.:	S2/6 right	1	PR:D50
(10)	999 657 014 90	Relay Fuel pump relay location/code no.:	S19	1	PR:D50,7VE, 7VL
(10)	955 615 027 00	Relay Starter relay location/code no.:	S20	1	
11	955 610 117 00	relay plate	lhd left	1	PR:L0L
(11)	955 610 117 00	relay plate	rhd	1	PR:L0R
12	955 610 117 00	relay plate	lhd	1	PR:L0L

Model: 9PA108 Model life 2007>>2010

Pos	Part Number	Description	Remark	Qty	Model
13		Relay	right	X	
(13)	955 618 047 03	Control unit for vehicles with servotronic relay location/code no.:		1	PR:1N3
(13)	999 657 014 90	Relay lock Rear lid relay location/code no.:	SL1	1	PR:GY1
(13)	955 615 010 01	Relay Compressor Adaptive suspension relay location/code no.:	SL2	1	PR:1BK
(13)	999 657 014 90	Relay Release Fuel filler flap relay location/code no.:	SL3	1	
(13)	141 951 253 B	Relay Rear window heating relay location/code no.:	SL4	1	
(13)	999 657 014 90	Relay Coolant pump Auxiliary heater relay location/code no.:	SL7	1	PR:D5X
(13)	999 657 014 90	Relay Release Spare wheel relay location/code no.:	SL8 lhd	1	PR:L0L
(13)	141 951 253 B	Relay Headlight washer system relay location/code no.:	SR2 lhd	1	PR:8X1,L0L
(13)	999 657 014 90	Relay Residual warmth relay location/code no.:	SR7 lhd	1	PR:L0L
(13)	141 951 253 B	Relay Headlights relay location/code no.:	SR8 lhd	1	PR:8BC,8BZ, 8JD,L0L
(13)	999 657 014 90	Relay Residual warmth relay location/code no.:	SR9 rhd	1	PR:L0R
(13)	999 657 014 90	Relay Release Spare wheel relay location/code no.:	S2/1 rhd	1	PR:1G3,L0R
(13)	141 951 253 B	Relay Headlights relay location/code no.:	S2/2 rhd	1	PR:8BC,8BZ, L0R
(13)	141 951 253 B	Relay Headlight washer system relay location/code no.:	S3 rhd	1	PR:8X1,L0R
-		Bracket relay plate see illustration:	S6 left right 901-003		
14	955 610 211 00	Fuse box	left lhd	1	PR:L0L
14	955 610 211 10	Fuse box	left rhd	1	PR:L0R
(14)	955 610 212 00	Fuse box	right	1	
15	955 610 154 00	Screw M 5 X 50	upper	2	
(15)	N 909 961 02	Hex collared bolt M 5 X 25	lower	2	
16	999 607 082 00	fuse 5 A		X	
(16)	999 607 083 00	fuse		X	

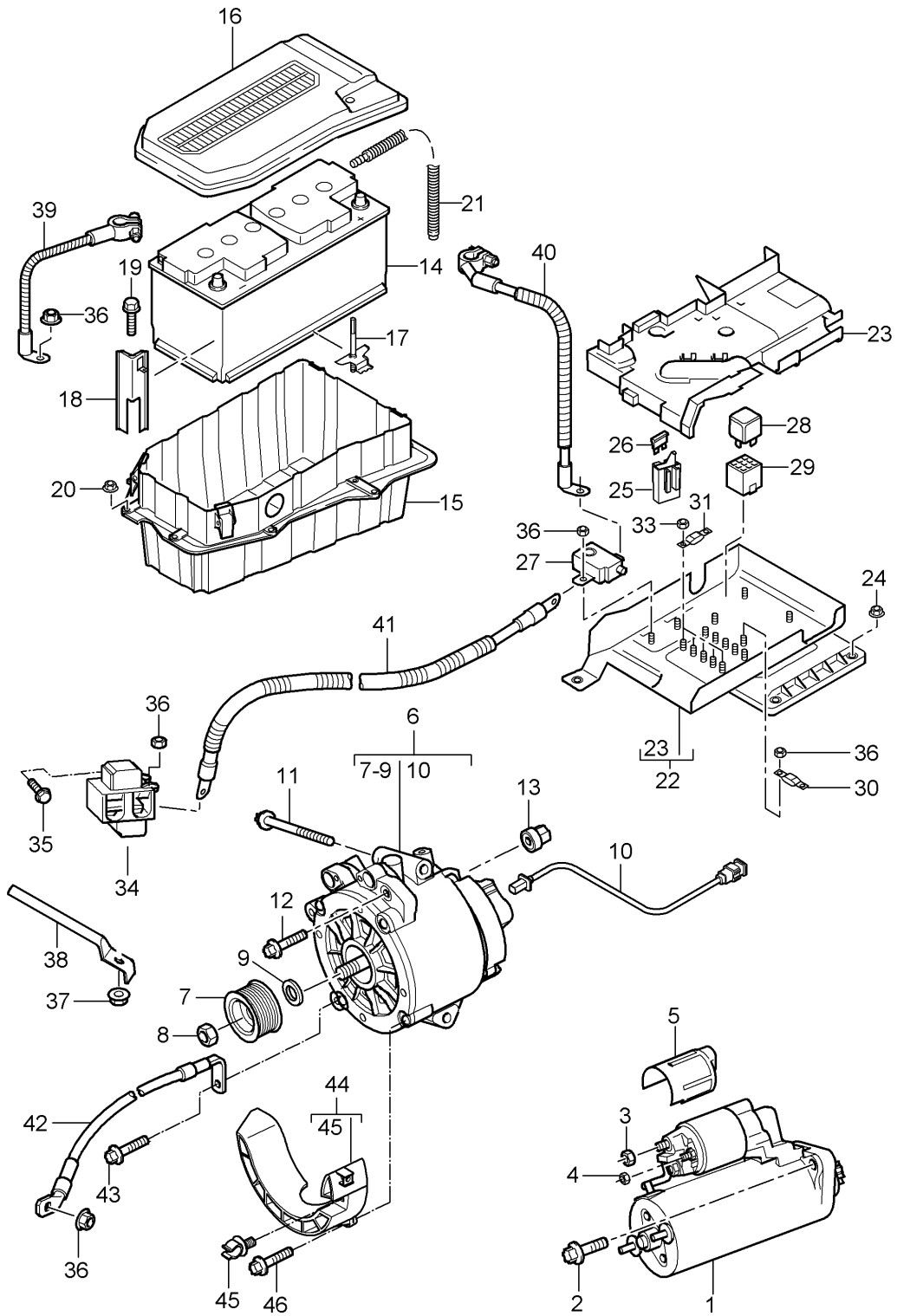
Model: 9PA108

Model life 2007>>2010

Pos	Part Number	Description	Remark	Qty	Model
(16)	999 607 084 00	7,5 A fuse		X	
(16)	999 607 085 00	10 A fuse		X	
(16)	N 017 131 13	15 A flat fuse 19/2x5		X	
(16)	999 607 087 00	20 A fuse		X	
(16)	999 607 088 00	25 A fuse		X	
17	N 102 519 03	30 A flat fuse 29/2x8		X	
(17)	999 607 073 00	E30 A fuse		X	
(17)	999 607 077 00	E40 A fuse		X	
18	N 909 722 01	E60 A Hexagon socket flat head bolt 6,0 X 25,0 for Mount		4	
19	955 610 317 00	Assignment sticker Cover central electrics		1	
20	955 610 319 00	Assignment sticker Fuse box	left	1	
(20)	955 610 320 00	Assignment sticker Fuse box	right	1	
21	955 610 314 00	Tool for fuse		2	

Model: 9PA108

Model life 2007>>2010



Model: 9PA108 Model life 2007>>2010

Pos	Part Number	Description	Remark	Qty	Model
1	948 604 206 00	Starter Alternator Battery Power distributor Starter		1	PR:D5V,D5Z, E0W,E8A,E81
1	948 604 206 X	D >> - 16.10.2008 Starter		1	PR:D5V,D5Z, E0W,E8A,E81
1	948 604 206 01	D >> - 16.10.2008 Starter		1	PR:D5V,D5Z, E0W,E8A,E81
1	948 604 206 AX	D - 17.10.2008>> Starter		1	PR:D5V,D5Z, E0W,E8A,E81
(1)	955 604 107 00	D - 17.10.2008>> Starter		1	PR:D5X
(1)	955 604 107 X	Starter		1	PR:D5X
(1)	955 604 107 11	Starter		1	PR:D5X
		with:			
(1)	955 604 107 BX	Plug connection Starter		1	PR:D5X
		with:			
(1)	955 604 108 00	Plug connection Starter		1	PR:D50
(1)	955 604 108 X	Starter		1	PR:D50
2	900 385 011 01	Torx screw BM 10 X 45		2	PR:D5V,D5Z
(2)	N 102 171 03	Hex collared bolt BM 12 X 60 X 48		1	PR:D5X
(2)	N 907 682 02	double stud with hexagon drive AM 12 X 60 - M 8 X 16		1	PR:D5X
(2)	N 102 902 06	Hex collared bolt AM 10 X 70		2	PR:D50
3	900 377 003 01	Hexagon nut M 8		1	
4	900 377 010 02	Hexagon nut M 6 for Starter		1	
5	948 604 117 01	948.604.206.00/.01 955.604.107.00 Heat insulation MAGNETSCHALTER		1	PR:D5V,D5Z, E0W,E8A,E81
		M >> 9 05540			
		M >> G 9 04964			
		M >> 9 01688			
		M >> T 9 01787			
		M >> S 9 00561			
(5)	948 604 119 00	Heat insulation MAGNETSCHALTER		1	PR:D5V,D5Z, E0W,E8A,E81
		M 9 05541 >>			
		M G 9 04965 >>			
		M 9 01689 >>			
		M T 9 01788 >>			
		M S 9 00562 >>			
6	948 603 025 00	Alternator		1	PR:D5V,D5Z
6	948 603 025 X	Alternator		1	PR:D5V,D5Z
(6)	948 603 025 03	Alternator		1	PR:D5V,D5Z
(6)	948 603 025 CX	Alternator		1	PR:D5V,D5Z
(6)	955 603 116 00	Alternator		1	PR:D5X,8GH
		D >> - MJ 2009			
(6)	955 603 116 X	Alternator		1	PR:D5X,8GH

Model: 9PA108

Model life 2007>>2010

Pos	Part Number	Description	Remark	Qty	Model
(6)	955 603 117 00	D >> - MJ 2009 Alternator		1	PR:D5X,8GV
(6)	955 603 117 X	D >> - MJ 2009 Alternator		1	PR:D5X,8GV
(6)	955 603 119 00	D >> - MJ 2009 Alternator		1	PR:D5X,9G1
(6)	955 603 119 X	D - MJ 2010>> Alternator		1	PR:D5X,9G1
(6)	955 603 118 00	D - MJ 2010>> Alternator		1	PR:D50,8GH
(6)	955 603 118 X	D >> - MJ 2009 Alternator		1	PR:D50,8GH
(6)	955 603 120 00	D >> - MJ 2009 Alternator		1	PR:D50,9G1
(6)	955 603 120 X	D - MJ 2010>> Alternator		1	PR:D50,9G1
7	948 603 125 00	D - MJ 2010>> pulley		1	PR:D5V,D5Z
8	948 603 127 00	Hexagon nut M 16 X 1,5		1	PR:D5V,D5Z
9	948 603 129 00	Shim		1	PR:D5V,D5Z
10	948 603 070 00	Wire set		1	PR:D5V,D5Z
11	900 385 014 01	Alternator Torx screw BM 8 X 95		2	PR:D5V,D5Z
(11)	N 106 100 01	Hex collared bolt AM 8 X 90		2	PR:D5X
(11)	N 106 100 01	Hex collared bolt AM 8 X 90		2	PR:D50
12	900 385 042 01	Torx screw BM 8 X 35		1	PR:D5V,D5Z
13	999 070 016 00	domed cap nut M 8		1	PR:D5V,D5Z
14	999 611 070 20	Battery 70 AH		1	PR:J0L
(14)	999 611 095 20	Battery 95 AH		1	PR:J1U
(14)	955 611 110 20	Battery 110 AH		1	PR:J0Z
(14)	958 611 110 20	Discontinued part Battery 110 AH		1	PR:J0Z
15	955 504 151 00	battery box		1	
16	955 504 152 00	Cover for housing		1	
17	955 611 209 02	clamping piece		1	
18	955 611 210 02	Reinforcement bracket		1	
19	N 100 829 08	Battery Hex collared bolt M 6 X 16		1	
20	N 015 082 10	Hexagon collar nut M 6		X	
21	955 611 311 00	Breather line		1	
22	955 610 308 01	Power distributor		1	
23	955 610 309 10	Cover Power distributor		1	
24	N 904 465 04	Hexagon nut M 6		3	
25		fuse holder		X	
(25)	955 610 207 00	fuse holder relay location/code no.:	F9	1	
(25)	955 610 209 00	fuse holder relay location/code no.:	F14	1	
(25)	955 610 208 00	fuse holder		1	

Model: 9PA108

Model life 2007>>2010

Pos	Part Number	Description	Remark	Qty	Model
		relay location/code no.:	F14		
26	999 607 082 00	fuse 5 A		X	
(26)	999 607 073 00	fuse E 40 A		X	
27	955 611 205 00	Battery isolator Battery main switch		1	
28	955 615 027 00	Relay		1	
29	955 610 307 00	relay plate		1	
30	N 105 256 07	fuse 250 A		1	
31	N 105 255 08	fuse 150 A		2	
(31)	N 105 255 03	fuse 60 A		2	
(31)	N 105 255 01	fuse 40 A		2	
33	N 011 005 18	Hexagon nut M 5		X	
34	955 611 202 10	Connection point Cable		1	
-	955 611 211 00	Engine bay Cable guide Cable Starter Alternator		1	
35	N 106 131 01	Socket head bolt M 6 X 20		1	
36	N 902 955 02	Hexagon collar nut M 8		X	
(36)	955 611 206 00	Hexagon nut Terminal clamp		1	
37	N 902 955 02	Emergency starting Hexagon collar nut M 8		1	
38	955 611 203 00	cable shoe Earth line		1	
39	955 611 090 00	Earth line Battery Body		1	
40	955 612 090 00	Battery cable Power distributor		1	PR:J0L,J1U
(40)	955 612 090 10	Battery cable Power distributor		1	PR:J0Z
41	955 612 091 10	Cable Power distributor Connection point		1	PR:-D50
41	955 612 091 20	Engine bay Cable Power distributor Connection point		1	PR:D50
42	955 611 195 00	Engine bay Earth line Alternator Body		1	PR:D5V,D5Z
42	958 611 195 00	Discontinued part Earth line Alternator Body		1	PR:D5V,D5Z
(42)	955 611 196 00	Earth line Engine Body		1	PR:D5X
(42)	958 611 197 00	Earth line		1	PR:D50

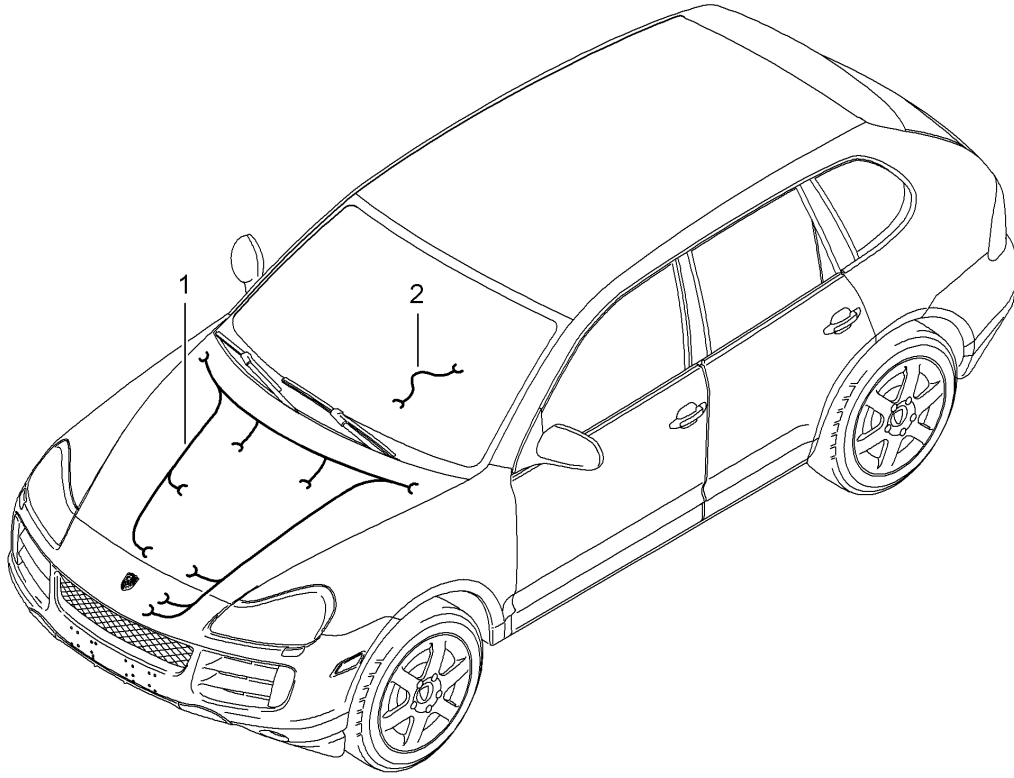
Model: 9PA108

Model life 2007>>2010

Pos	Part Number	Description	Remark	Qty	Model
		Engine			
		Body			
43	N 101 559 06	Hex collared bolt M 8 X 20		1	PR:D5V,D5Z
(43)	N 903 516 02	Socket head bolt with hexagon socket head (combination) M 10 X 20		1	PR:D5X
44	948 115 204 01	Support Alternator		1	
45	999 507 930 40	Hose bracket 23,0		1	
46	900 385 042 01	Torx screw BM 8 X 35		2	PR:D5V,D5Z, E0W,E8A,E81
		M >> 9 05540			
		M >> G 9 04964			
		M >> 9 01688			
		M >> T 9 01787			
		M >> S 9 00561			
46	999 073 908 31	fillister hd. bolt M 8 X 35		2	PR:D5V,D5Z, E0W,E8A,E81
		M 9 05541 >>			
		M G 9 04965 >>			
		M 9 01689 >>			
		M T 9 01788 >>			
		M S 9 00562 >>			

Model: 9PA108

Model life 2007>>2010



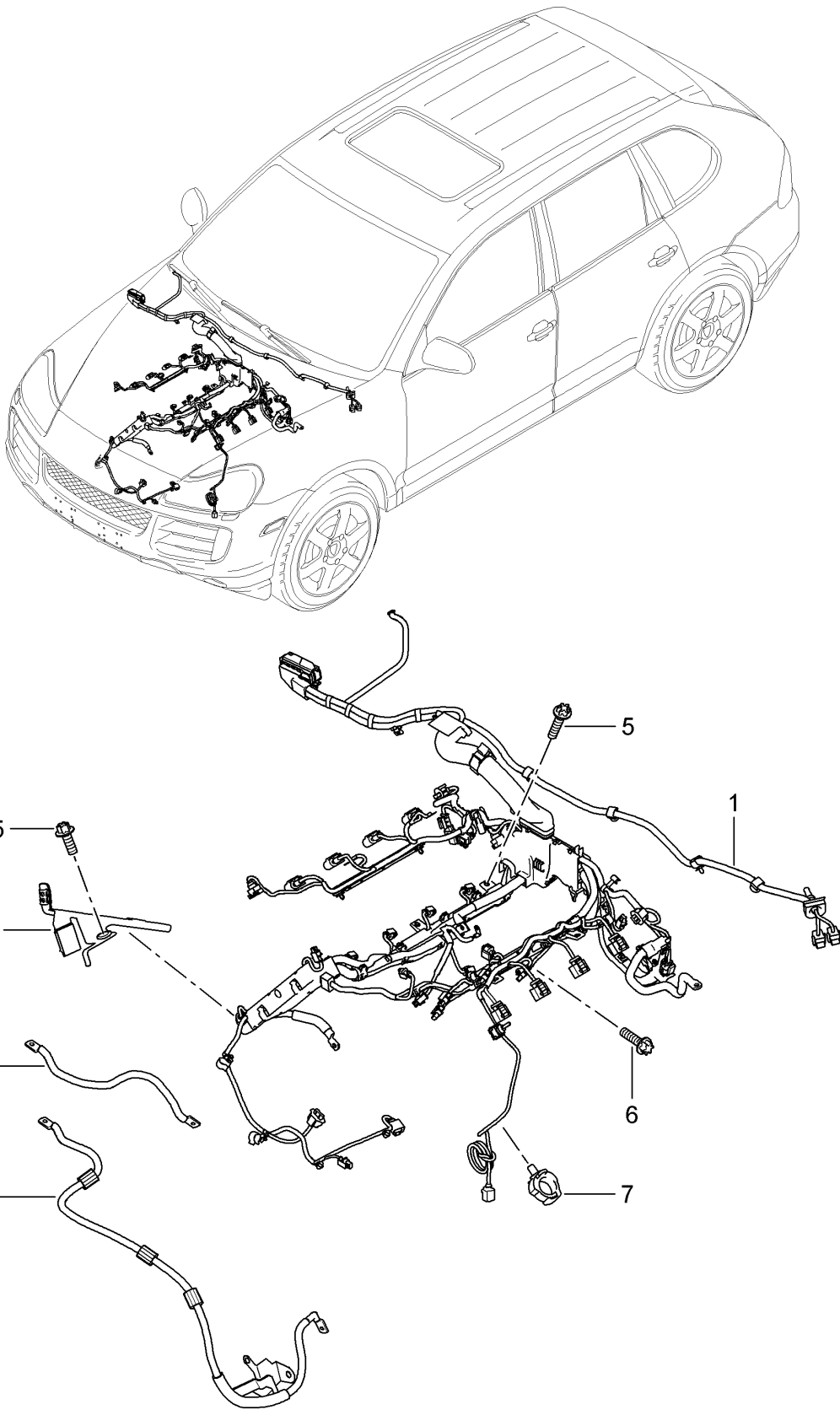
Model: 9PA108

Model life 2007>>2010

Pos	Part Number	Description	Remark	Qty	Model
1	955 612 019 00	Wiring looms Engine bay Gearbox Wire set	lhd	1	PR:D5Z,L0L
(1)	955 612 019 10	Engine bay Wire set	rhd	1	PR:D5Z,L0R
(1)	955 612 019 20	Engine bay Wire set	lhd	1	PR:D5V,L0L
(1)	955 612 019 30	Engine bay Wire set	rhd	1	PR:D5V,L0R
(1)	955 612 019 40	Engine bay Wire set	lhd	1	PR:D5X,L0L
(1)	955 612 019 60	Engine bay Wire set	lhd	1	PR:D50,7GG, L0L
(1)	955 612 019 65	Engine bay Wire set	lhd	1	PR:D50,0GZ, L0L
(1)	955 612 019 50	Engine bay Wire set	rhd	1	PR:D5X,L0R
(1)	955 612 019 70	Engine bay Wire set	rhd	1	PR:D50,7GG, L0R
(1)	955 612 019 75	Engine bay Wire set	rhd	1	PR:D50,0GZ, L0R
2	955 612 401 11	Wire set		1	PR:G0R
(2)	955 612 402 01	Automatic transmission Wire set Manual gearbox		1	PR:G0L

Model: 9PA108

Model life 2007>>2010



Model: 9PA108 Model life 2007>>2010

Pos	Part Number	Description	Remark	Qty	Model
1	948 607 003 03	Wiring looms Engine Wire set Engine M >> 838 19927		1	PR:D5V
1	948 607 003 04	Wire set Engine M 838 19928 >> Discontinued part		1	PR:D5V
1	948 607 003 06	Wire set Engine M 838 19928 >>		1	PR:D5V
(1)	948 607 003 53	Wire set Engine M >> 848 09289		1	PR:D5Z
(1)	948 607 003 54	Wire set Engine M 848 09290 >> Discontinued part		1	PR:D5Z
(1)	948 607 003 56	Wire set Engine M 848 09290 >>		1	PR:D5Z
(1)	955 607 010 30	Wire set Engine		1	PR:D5X
(1)	955 607 010 31	Wire set Engine for Starter		1	PR:D5X
(1)	955 607 010 40	Plug connection Wire set Engine D >> - MJ 2009	with:	1	PR:D50,8GH
(1)	955 607 010 45	Wire set Engine D - MJ 2010>>		1	PR:D50,9G1
2	955 612 192 00	Cable Alternator		1	PR:D5X
2	948 607 082 01	Positive cable Starter		1	PR:D5V,D5Z
3	955 612 122 02	Cable Starter D >> - MJ 2009		1	PR:D5X
3	955 612 122 03	Cable Starter D - MJ 2010>>		1	PR:D5X
3	955 612 122 05	Cable Starter Alternator D >> - MJ 2009		1	PR:D50,8GH
3	955 612 122 11	Cable Starter Alternator D - MJ 2010>>		1	PR:D50,9G1
3	948 607 062 01	Cable Starter Alternator		1	PR:D5V,D5Z
4	948 607 145 00	Heat insulation Cable Alternator		1	PR:D5V,D5Z
5	900 385 009 01	Torx screw BM 6 X 16		X	PR:D5V,D5Z
6	900 385 041 01	Torx screw		4	PR:D5V,D5Z

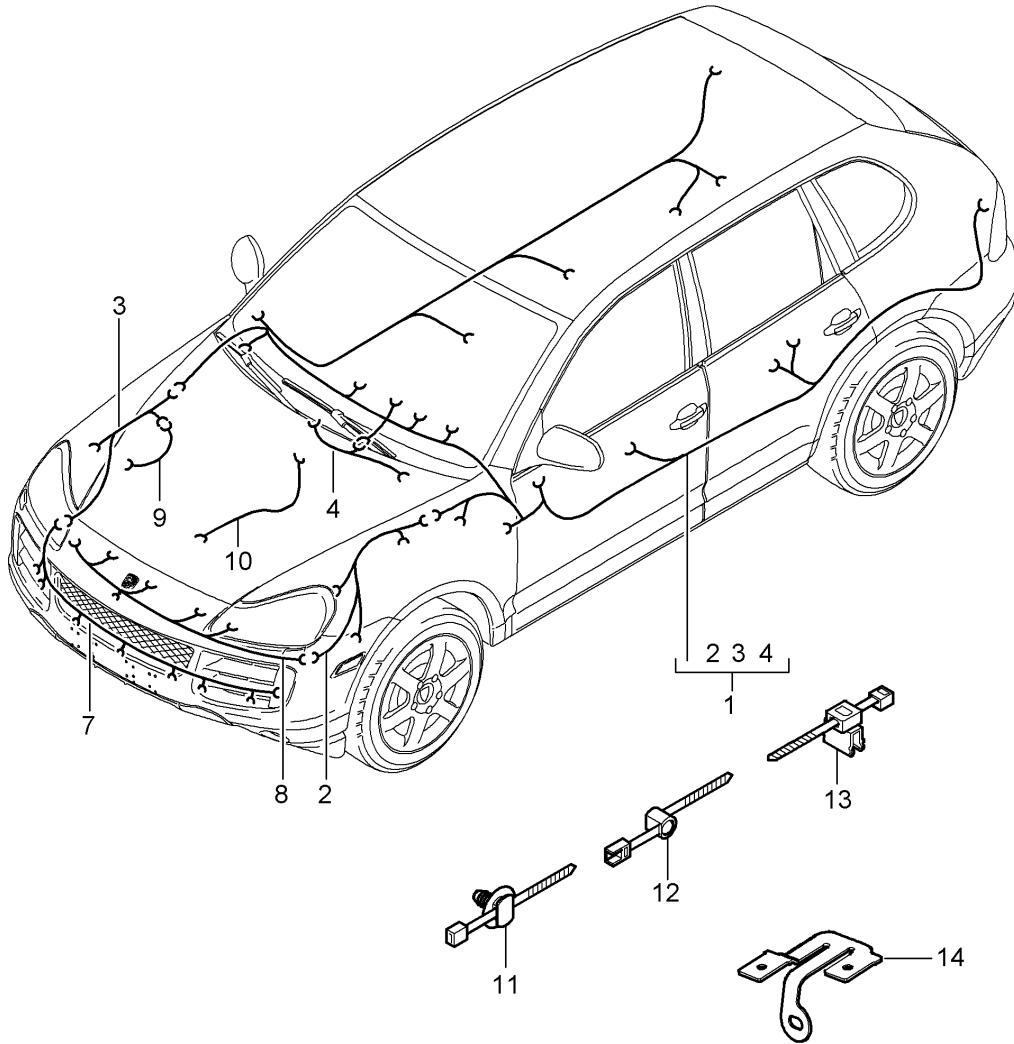
Model: 9PA108

Model life 2007>>2010

Pos	Part Number	Description	Remark	Qty	Model
7	999 507 075 40	BM 6 X 12		X	PR:D5V,D5Z
(7)	955 607 103 50	Mount Ground cable Valve cover Cable holder Cable holder for Rubber gaiter Wire set Engine water box		1	PR:D5V,D5Z

Model: 9PA108

Model life 2007>>2010



Model: 9PA108 Model life 2007>>2010

Pos	Part Number	Description	Remark	Qty	Model
1	955 612 901 00	Wiring looms Passenger compartment bumper FRONT luggage compartment anti-locking brake syst. -abs- brake pad wear display Front axle Wire set Passenger compartment * Part number must be ordered * manually by indicating * vehicle ID number.		1	
2	955 612 913 10	Wire set part section wiring harness modify in workshop	left front	1	PR:8BB,8BF, 8BR
(2)	955 612 915 10	Wire set part section wiring harness modify in workshop	left front	1	PR:8BC,8BZ, 8JD
3	955 612 914 10	Wire set part section wiring harness modify in workshop	right front	1	PR:8BB,8BF, 8BR
(3)	955 612 916 10	Wire set part section wiring harness modify in workshop	right front	1	PR:8BC,8BZ, 8JD
4	955 612 912 00	Wire set part section wiring harness Brake servo		1	
7	955 612 331 00	Wire set bumper	front	1	PR:D5Z,7X2, 7X8
7	955 612 331 00	Wire set bumper	front	1	PR:E0W,7X2, 7X8
7	955 612 331 00	Wire set bumper	front	1	PR:E1T,7X2, 7X8
(7)	955 612 331 10	Wire set bumper	front	1	PR:E0W,E1T, 7X0,7X9
(7)	955 612 332 00	Wire set bumper	front	1	PR:D5V,D5X, 7X2,7X8
(7)	955 612 332 00	Wire set bumper	front	1	PR:D50,7X2, 7X8
(7)	955 612 333 00	Wire set bumper	front	1	PR:D5V,D5X, 7X0,7X9
(7)	955 612 333 00	Wire set bumper	front	1	PR:D50,7X0, 7X9
8	955 612 360 00	Wire set FRONT luggage compartment		1	PR:D5Z,E0W, E1T,7AL
(8)	955 612 360 30	Wire set FRONT luggage compartment		1	PR:D5Z,E0W, E1T,7AC,7AH, 7AK,7AU
(8)	955 612 360 10	Wire set		1	PR:D5V,D5X, 7AL
(8)	955 612 360 40	Wire set FRONT luggage compartment		1	PR:D50,7AL
(8)	955 612 360 20	Wire set		1	PR:D5V,D5X, 7AC,7AH,7AK, 7AU
(8)	955 612 360 50	Wire set FRONT luggage compartment		1	PR:D50,7AC, 7AH,7AK,7AU
-		Wiring looms			

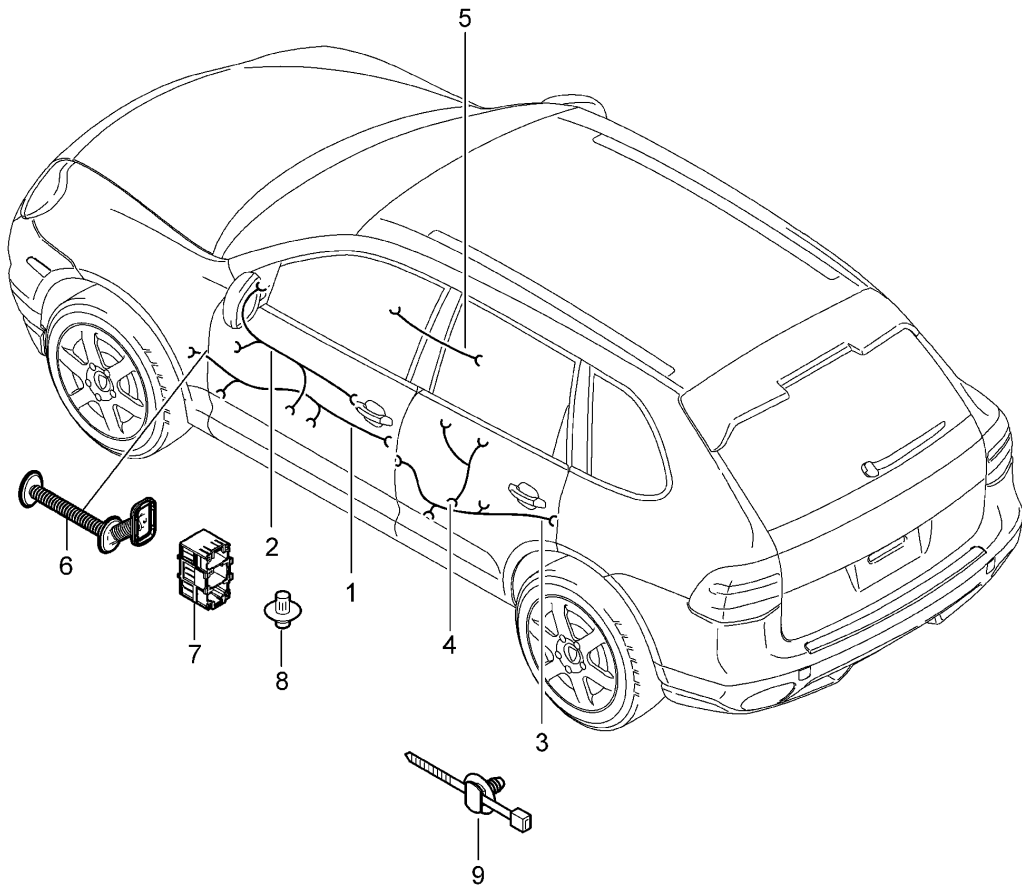
Model: 9PA108

Model life 2007>>2010

Pos	Part Number	Description	Remark	Qty	Model
		anti-locking brake syst. -abs- brake pad wear display			
		Front axle			
9	955 612 321 00	Wire set	front	2	PR:1BA,1BW
(9)	955 612 322 10	Wire set	front	2	PR:1BK,1BH
-	955 612 330 00	Protective cap		X	
		Level sensor			
10	955 612 325 11	Wire set		1	
		Bonnet			
-		Cable ties			
		for			
		Repair work			
11	N 906 661 01	Cable ties		X	
		4,6 X 200			
12	N 904 449 01	Cable ties		X	
		5 X 230			
13	955 612 931 00	Cable clamp		X	
		193 X 4 - 45			
14	955 612 932 00	Cable holder		X	
		Flat			
(14)	955 612 933 00	Cable holder		X	
		High			

Model: 9PA108

Model life 2007>>2010



Model: 9PA108 Model life 2007>>2010

Pos	Part Number	Description	Remark	Qty	Model
1	955 612 610 00	Wiring looms doors Centre console Wire set Assembly frame D >> - MJ 2008	front	2	PR:4K0,4K3
1	955 612 610 10	Wire set Assembly frame D - MJ 2009>>	front	2	PR:4K0,4K3
(1)	955 612 610 01	Wire set Assembly frame D >> - MJ 2008	front	2	PR:4K0,4K3, 5RP,5SU
(1)	955 612 610 11	Wire set Assembly frame D - MJ 2009>>	front	2	PR:4K0,4K3, 5RP,5SU
(1)	955 612 611 00	Wire set Assembly frame D >> - MJ 2008	front	2	PR:4F2,4F6
(1)	955 612 611 10	Wire set Assembly frame D - MJ 2009>>	front	2	PR:4F2,4F6
(1)	955 612 611 01	Wire set Assembly frame D >> - MJ 2008	front	2	PR:4F2,4F6, 5RP,5SU
(1)	955 612 611 11	Wire set Assembly frame D - MJ 2009>>	front	2	PR:4F2,4F6, 5RP,5SU
2	955 612 620 10	Wire set door panel Driver's door		1	PR:4E0
(2)	955 612 620 20	Wire set door panel Driver's door		1	PR:4E7
(2)	955 612 621 00	Wire set door panel Passenger's door D >> - MJ 2008		1	
(2)	955 612 621 01	Wire set door panel Passenger's door D - MJ 2009>>		1	
3	955 612 630 00	Wire set Assembly frame D >> - MJ 2008	rear	2	PR:4K0,4K3
3	955 612 630 10	Wire set Assembly frame D - MJ 2009>>	rear	2	PR:4K0,4K3
(3)	955 612 631 00	Wire set Assembly frame D >> - MJ 2008	rear	2	PR:4F2,4F6
(3)	955 612 631 10	Wire set Assembly frame D - MJ 2009>>	rear	2	PR:4F2,4F6
4	955 612 640 00	Wire set D >> - MJ 2008		2	
4	955 612 640 01	Wire set door panel D - MJ 2009>>	rear	2	
5	955 612 645 00	Wire set		1	

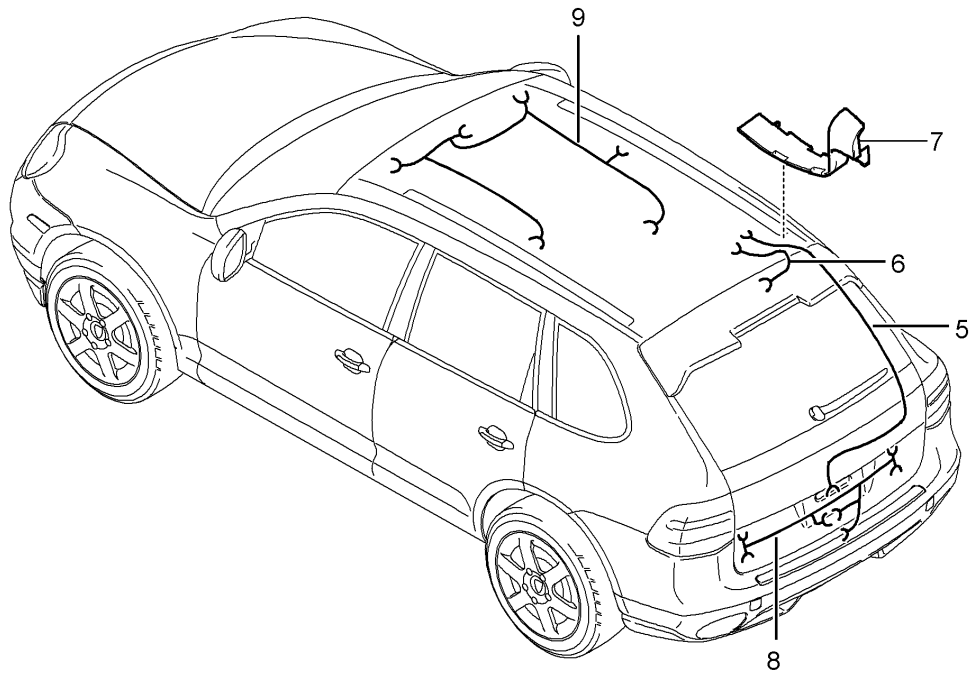
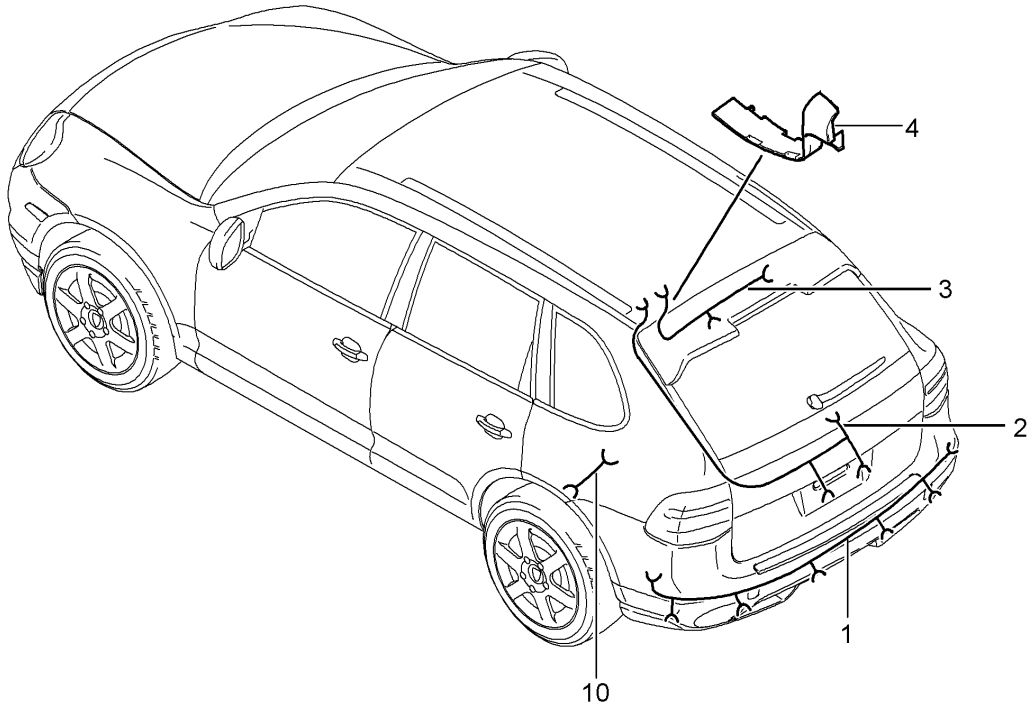
Model: 9PA108

Model life 2007>>2010

Pos	Part Number	Description	Remark	Qty	Model
6	7L0 971 905	Centre console Cable support sleeve		X	
		with:			
7	955 612 545 00	Sealing frame Bracket for flat connector housing Connection point Wire set Passenger compartment Door		X	
8	955 731 843 00	Cable holder Wire set		X	
9		Cable ties for Repair work			
		see illustration:	902-010		

Model: 9PA108

Model life 2007>>2010



Model: 9PA108 Model life 2007>>2010

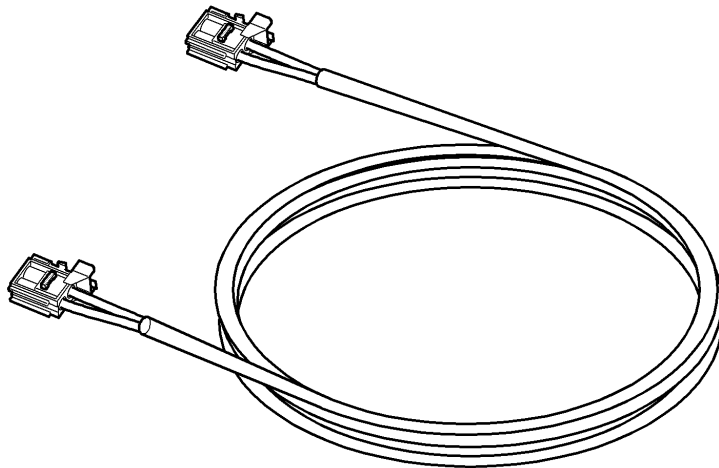
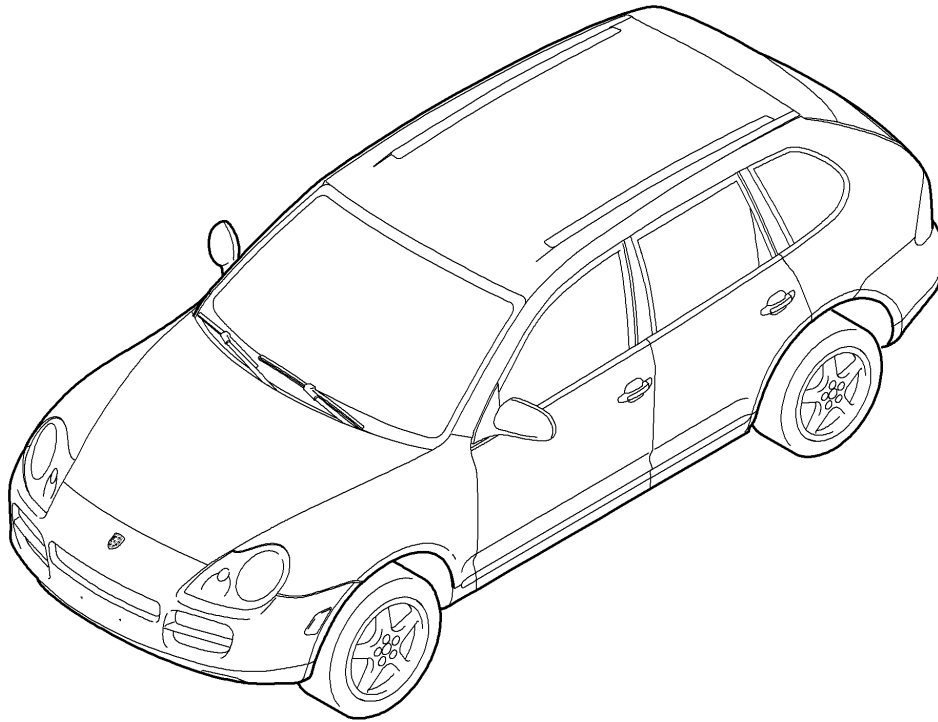
Pos	Part Number	Description	Remark	Qty	Model
1	955 612 831 00	Wiring looms Rear end roof trim anti-locking brake syst. -abs- brake pad wear display Rear axle Wire set bumper		1	PR:7X2,7X8
(1)	955 612 832 00	Wire set bumper		1	PR:7X0,7X9
2	955 612 803 00	Wire set Rear lid	left	1	PR:4E0
(2)	955 612 803 10	Wire set Rear lid	left	1	PR:4E7
3	955 612 805 02	Wire set Rear window	left	1	PR:7Q2,7T1, 7VL,8L6,9W1, 9ZF,9ZP
3	955 612 805 10	D >> - MJ 2008 Wire set Rear window	left	1	PR:7VL,8DQ, 8DV,QV1,8L6, 9W1,9ZF,9ZP
(3)	955 612 815 01	D - MJ 2009>> Wire set Rear window	left	1	PR:QV1,7Q2, 7T1,7VL,8L6, 9W1,9ZF,9ZP
(3)	955 612 815 10	D >> - MJ 2008 Wire set Rear window	left	1	PR:7Q4,7VL, 8L6
3	955 612 816 01	D - MJ 2009>> Wire set Rear window	left	1	PR:QV4,QV8, 7VE,7T1,7Q2, 8L6,9W1,9ZF, 9ZP
3	955 612 816 10	D >> - MJ 2008 Wire set Rear window	left	1	PR:7VE,8DQ, 8DV,8L6,9W1, 9W5,9ZP,QV4
4	955 612 849 00	D - MJ 2009>> Cable guide Rear lid	left	1	
4	955 612 849 01	D >> - MJ 2008 Cable guide Rear lid	left	1	
(4)	955 612 851 00	D - MJ 2009>> Cable guide Rear window	left	1	
5	955 612 814 00	Wire set Rear lid	right	1	PR:4E0,7X8, 7X9
(5)	955 612 814 10	Wire set Rear lid	right	1	PR:4E7,7X8, 7X9
(5)	955 612 814 20	Wire set Rear lid	right	1	PR:4E0,7Q4
(5)	955 612 814 30	D - MJ 2009>> Wire set Rear lid	right	1	PR:4E7,7Q4
6	955 612 806 11	D - MJ 2009>> Wire set Rear window	right	1	PR:5D1
(6)	955 612 807 11	D >> - MJ 2008 Wire set Rear window	right	1	PR:5D2,5D3
(6)	955 612 807 20	D >> - MJ 2008 Wire set Rear window	right	1	PR:8L6,8ZM

Model: 9PA108 Model life 2007>>2010

Pos	Part Number	Description	Remark	Qty	Model
7	955 612 850 00	D - MJ 2009>> Cable guide Rear lid	right	1	
7	955 612 850 01	D >> - MJ 2008 Cable guide Rear lid	right	1	
(7)	955 612 852 00	D - MJ 2009>> Cable guide Rear window	right	1	
8	955 612 820 00	Wire set Trim Rear lid		1	PR:4E0
(8)	955 612 823 00	Wire set Trim Rear lid		1	PR:4E7
8	955 612 897 00	Wire set roof trim		1	PR:7X8,3FA, 7X2
9	955 612 808 00	Wire set roof trim		1	PR:3FE,7X1, 7X2
(9)	955 612 809 00	Wire set roof trim		1	PR:3FU,7X1, 7X2
(9)	955 612 025 00	Wire set Control unit Switch Discontinued part		1	PR:3FU
(9)	955 612 025 01	Wire set Control unit Switch		1	PR:3FU
-		Wiring looms anti-locking brake syst. -abs- brake pad wear display Rear axle			
10	955 612 821 00	Wire set	rear	2	PR:1BA,1BW
(10)	955 612 822 00	Wire set	rear outer	2	PR:1BK,1BH
-		Wire set Bracket Spare wheel			
-		see illustration: Cable ties for Repair work	002-005 902-010		
		see illustration:			

Model: 9PA108

Model life 2007>>2010



Model: 9PA108

Model life 2007>>2010

Pos	Part Number	Description	Remark	Qty	Model
-	955 622 300 00	fibre optic wave conductor D >> - MJ 2008 fibre optic wave conductor Module Radio unit CD changers		1	PR:8DU,7A2, 8RV
-	955 622 301 00	fibre optic wave conductor Module Radio unit CD changers Amplifiers		1	PR:8DU,9VL, 7A2
-	955 622 302 00	fibre optic wave conductor Module Control panel Navigation system CD changers		1	PR:8DQ,8DV, 8RV,9ZF,9ZT, QV0,9W0
-	955 622 303 00	fibre optic wave conductor Module Control panel Navigation system CD changers Amplifiers		1	PR:8DQ,8DV, 9VL,QV0,9ZF, 9ZT,9W0
-	955 622 304 00	fibre optic wave conductor Module Control panel Navigation system Telephone CD changers		1	PR:8DQ,8DV, 8RV,9W1,9ZP, QV0
-	955 622 305 00	fibre optic wave conductor Module Control panel Navigation system Telephone CD changers Amplifiers		1	PR:8DQ,8DV, 9VL,QV0,9W1, 9ZP
-	955 622 306 00	fibre optic wave conductor Module Control panel Navigation system TV CD changers		1	PR:8DV,7A2, 8RV,QV1,9ZF, 9ZT,9W0
-	955 622 307 00	fibre optic wave conductor Module Control panel Navigation system CD changers Amplifiers		1	PR:8DV,9VL, QV1,9ZF,9ZT, 9W0
-	955 622 308 00	fibre optic wave conductor Module Control panel Navigation system Telephone TV CD changers		1	PR:8DQ,8DV, 9VL,QV1,9W1, 9ZP
-	955 622 309 00	fibre optic wave conductor Module Control panel Navigation system Telephone TV CD changers Amplifiers		1	PR:8DV,9VL, QV1,9W1,9ZP
-	999 650 039 40	Connector housing		X	

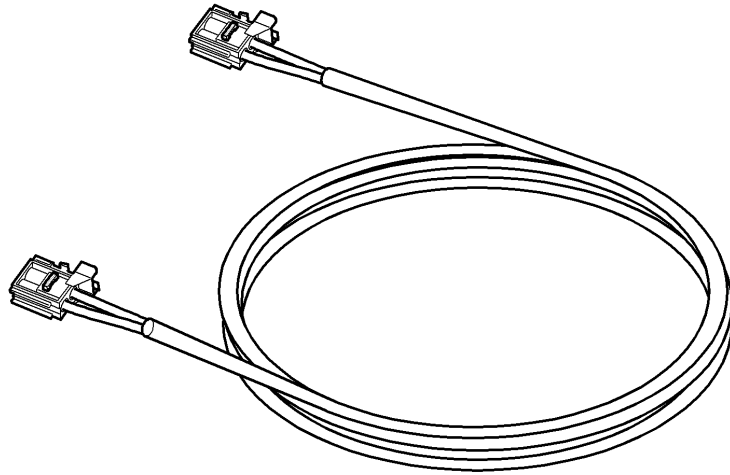
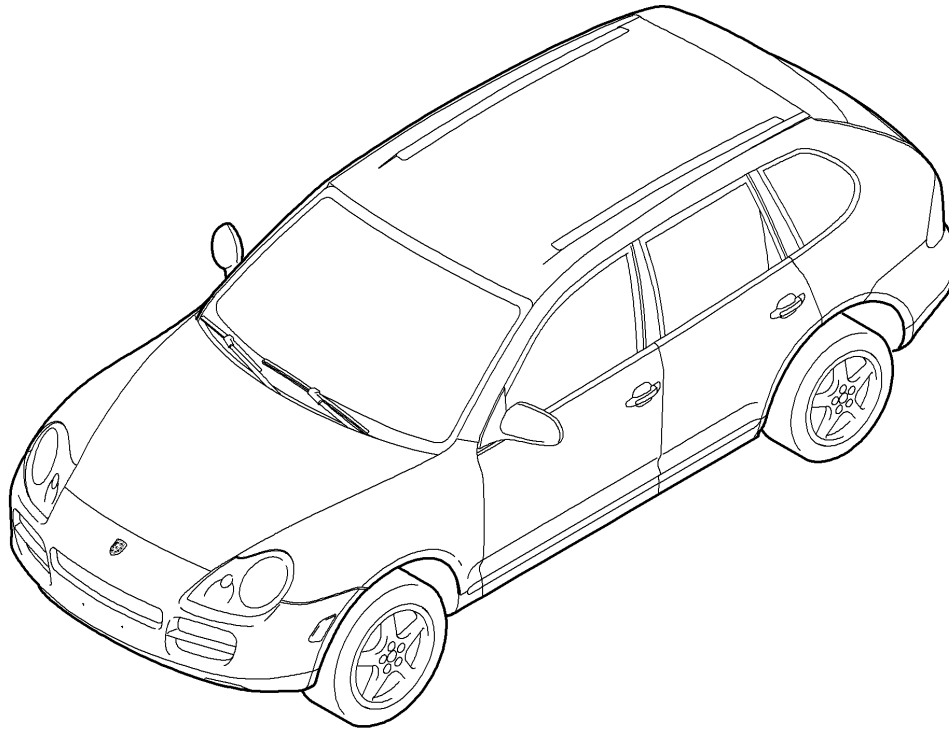
Model: 9PA108

Model life 2007>>2010

Pos	Part Number	Description	Remark	Qty	Model
-	999 650 091 40	fibre optic wave conductor Plug inserts fibre optic wave conductor		X	

Model: 9PA108

Model life 2007>>2010



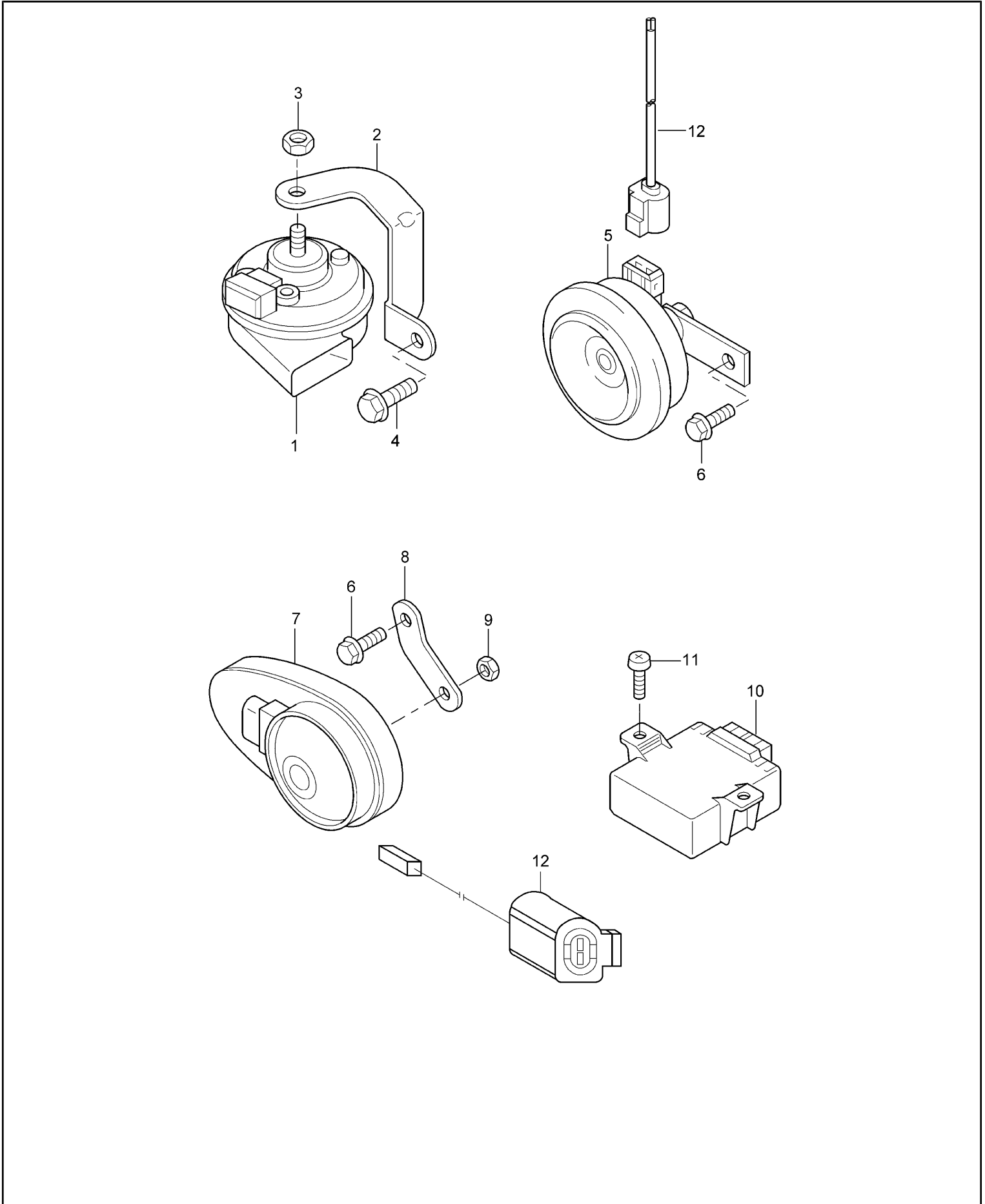
Model: 9PA108

Model life 2007>>2010

Pos	Part Number	Description	Remark	Qty	Model
-	955 622 401 00	fibre optic wave conductor D - MJ 2009>> fibre optic wave conductor Module		1	PR:QV0,QV4, 8DQ,8DV,8DR, 9VL
-	955 622 402 00	fibre optic wave conductor Module		1	PR:QV1,8DQ, 8DV,8RV
-	955 622 403 00	fibre optic wave conductor Module		1	PR:QV1,8DQ, 8DV,9VL

Model: 9PA108

Model life 2007>>2010



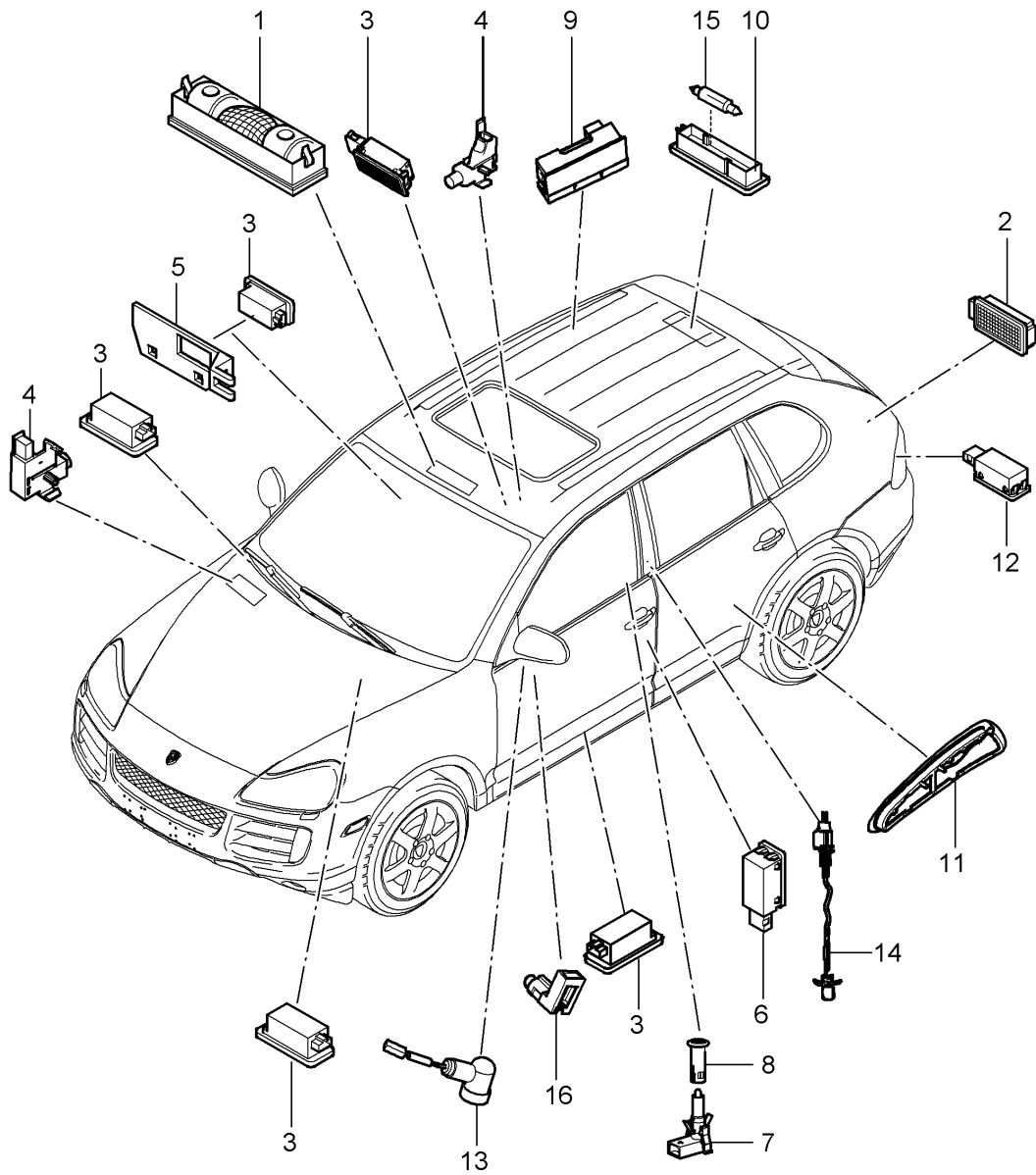
Model: 9PA108

Model life 2007>>2010

Pos	Part Number	Description	Remark	Qty	Model
1	955 635 205 01	Fanfare Signal horn Alarm horn Fanfare Low-pitched No longer use the part here	left	1	
1	955 635 205 02	Fanfare Low-pitched	left	1	
(1)	955 635 206 01	Fanfare High-pitched No longer use the part here	right	1	
(1)	955 635 206 02	Fanfare High-pitched	right	1	
2	955 635 161 01	Bracket for fanfare	left	1	
(2)	955 635 160 00	Bracket for fanfare	right	1	
3	N 011 006 36	Hexagon nut M 6		2	
4	N 019 519 5	Hex collared bolt M 8 X 16		2	
5	955 637 117 02	Signal horn		1	PR: 7AC, 7AK
5	9P1 951 101	Signal horn for alarm system		1	PR: 7AC, 7AK
6	N 102 252 02	use if required: hexagon head bolt (combi) M 8 X 12	9P1 998 003 A	1	
7	955 618 237 01	Alarm horn		1	PR: 7AH, 7AU, 7AL
8	955 637 150 01	Retainer for signal horn		1	
9	N 011 184 10	hexagon nut, self-locking M 8		1	
10	955 618 265 01	Control unit Tilt angle sensor		1	PR: 7AK, 7AL, 7AU
11	N 104 648 02	Oval hexagon socket head bolt 4,0 X 12		2	
12	9P1 998 003 A	Wire set Modification kit Signal horn		1	PR: 7AC, 7AK

Model: 9PA108

Model life 2007>>2010

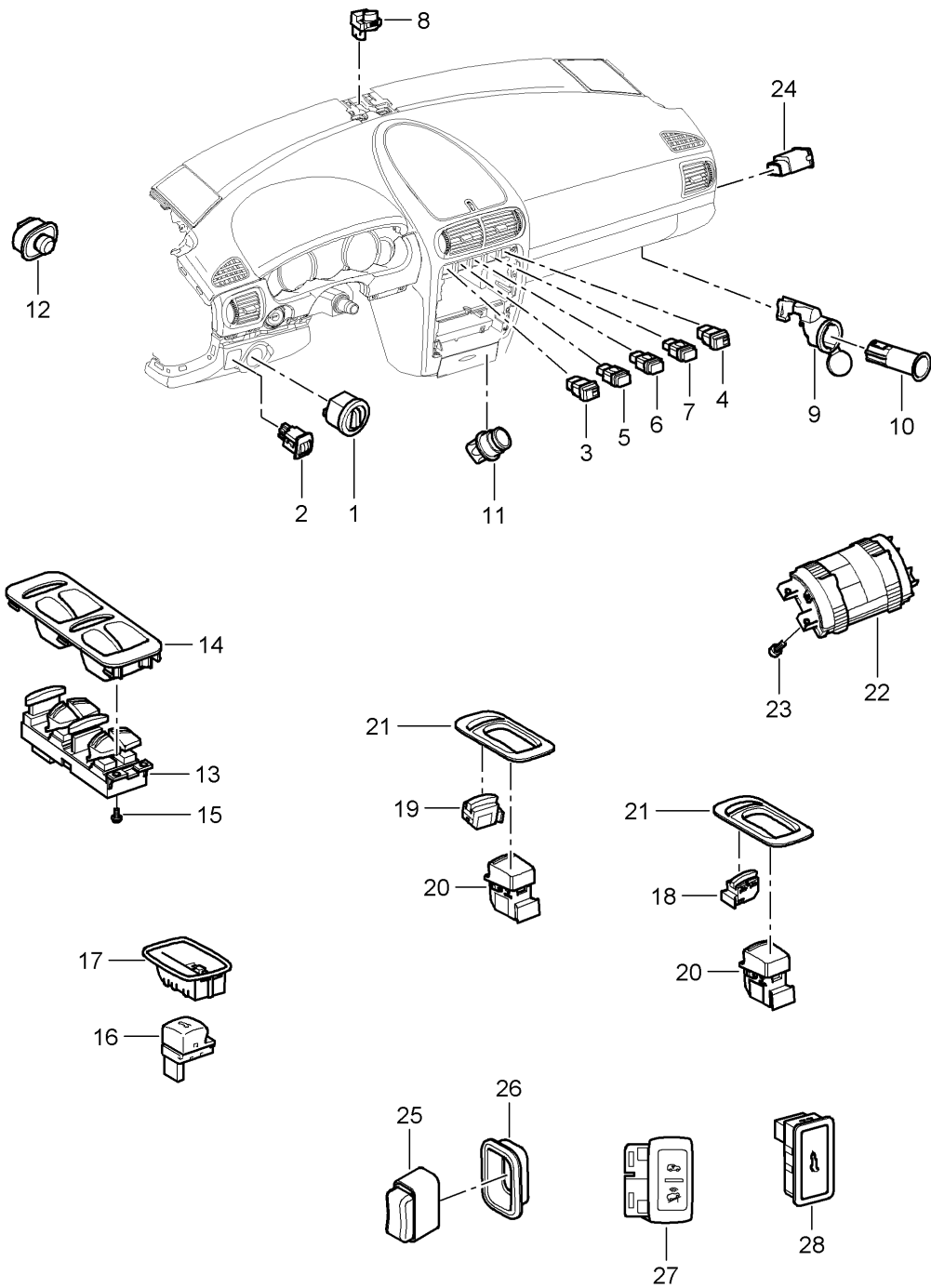


Model: 9PA108 Model life 2007>>2010

Pos	Part Number	Description	Remark	Qty	Model
		Interior lights Luggage compartment lamp Door warning light Footwell light Light Exterior mirror			
1	955 632 051 00	interior light		1	
2	955 632 201 00	Light		1	
3	955 632 202 01	interior light		11	
4	955 613 601 00	Contact switch Glove box light and Centre console Light bracket Seat		2	
5	955 632 240 00	Door warning light		4	
6	955 632 203 01	warning lamp		2	
7	955 632 218 00	red Door alarm system Sleeve		2	
8	955 632 242 00	Satin black		2	
(9)	955 632 242 00 01C	Reading light		1	
	955 632 205 00	Reading light	left rear	1	
	955 632 205 00 6N3	Matt black		1	
9	955 632 206 00	Reading light	right rear	1	
	955 632 206 00 6N3	Matt black		1	
10	955 632 207 00	Luggage compartment lamp		1	
11	955 632 211 00	Light Door	left front	1	PR:9MB
		also use: 2 X N.906.487.02			
(11)	955 632 212 00	Light Door	right front	1	PR:9MB
		also use: 2 X N.906.487.02			
(11)	955 632 213 00	Light Door	left rear	1	PR:9MB
		also use: 2 X N.906.487.02			
(11)	955 632 214 00	Light Door	right rear	1	PR:9MB
		also use: 2 X N.906.487.02			
12	955 632 216 01	Door warning light Rear lid		2	
13	955 632 223 00	Light Exterior mirror	left	1	PR:9TF
(13)	955 632 224 00	Light Exterior mirror	right	1	PR:9TF
14	955 632 217 00	Light Air vent B-pillar		2	
15	900 631 106 90	Linolite lamp 10W		1	
16	955 632 204 00	Light yellow Handle shell Door		4	
(16)	955 632 204 00	Light yellow		2	PR:9JB

Model: 9PA108

Model life 2007>>2010



Model: 9PA108 Model life 2007>>2010

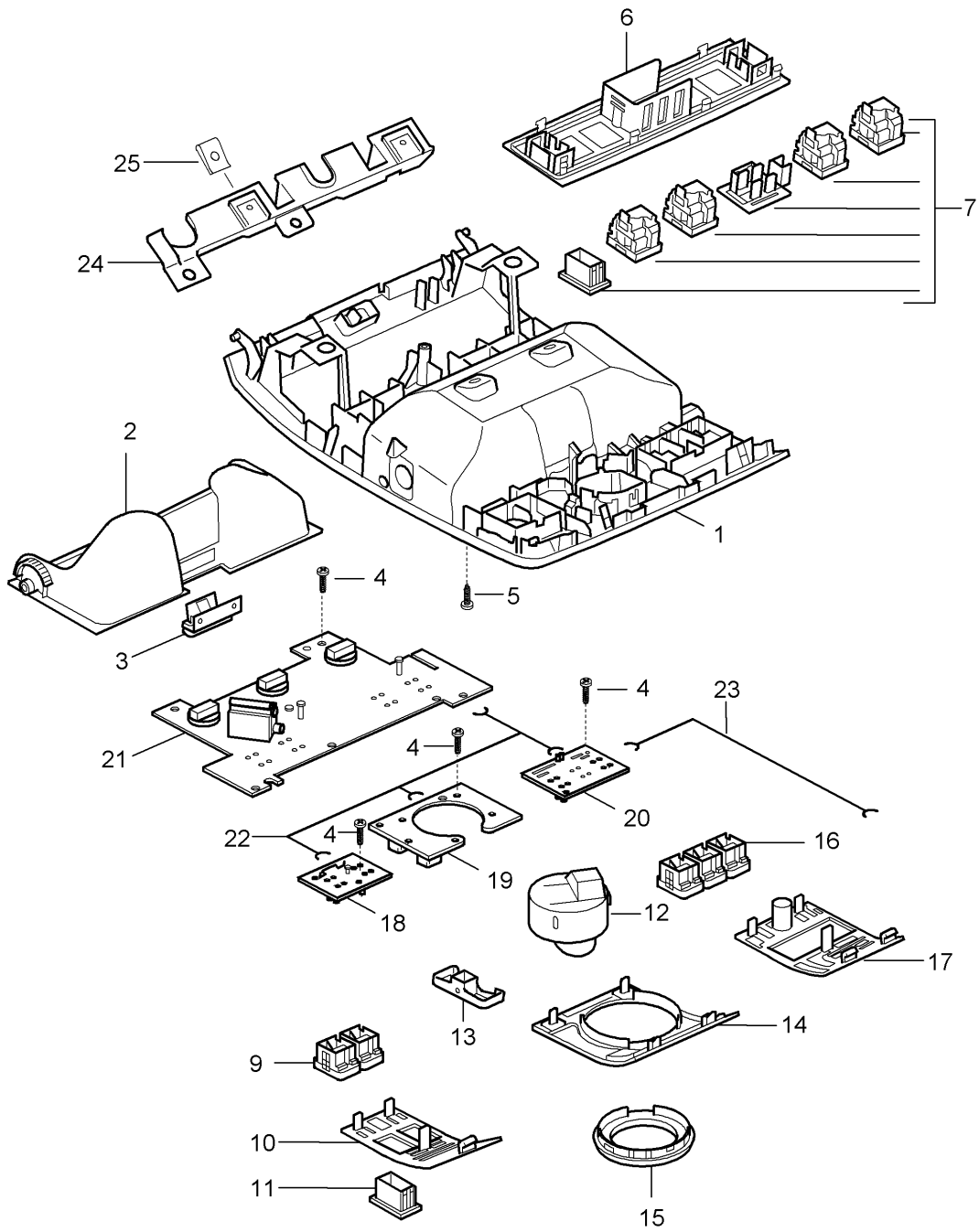
Pos	Part Number	Description	Remark	Qty	Model
1	955 613 235 02	Switch switch for lighting		1	PR:8K0,8K1, 8K4,9C8
(1)	955 613 235 02 6N3 955 613 235 03	Matt black switch for lighting		1	PR:8K3,8K5, 8K8,8K9
2	955 613 235 03 6N3 955 613 230 10	Matt black Potentiometer		1	PR:8Q1
(2)	955 613 230 10 6N3 955 613 231 01	Matt black Potentiometer		1	PR:8Q0,8Q3
-	955 613 231 01 6N3 955 613 232 00	Matt black spring shackle for POS. 2		2	
3	955 613 151 00	Switch for seat heating Seat heater		1 2	PR:4A3,4A4
4	955 613 151 00 6N3 955 613 152 00	Matt black Switch for seat heating Seat heater		1 2	PR:4A3,4A4
5	955 613 152 00 6N3 955 613 153 00	Matt black Switch - PSM -		1	
6	955 613 153 00 6N3 955 613 254 00	Matt black Hazard warning light sw.		1	
7	955 613 254 00 6N3 955 653 252 01	Matt black warning lamp		1	PR:4UE,4UQ
(7)	955 613 425 01	Dummy cover		1	PR:4UB,4UD
8	955 653 251 00	Sensor		1	PR:9AD,9AH
9	955 652 104 00	Spring pin	with:	2	
(9)	955 652 105 00	Lighting and Cover Spring pin Centre console	with:	2	
(9)	955 652 106 00	Lighting Spring pin Luggage compartment	with:	2	
10	955 652 107 00	Cover Repair See workshop manual Kap. 905755 Socket		X	
11	955 652 201 00 955 652 201 00 01C	Cigarette lighter Satin black		2	
12	955 613 154 00	Switch Exterior mirror		1	
13	955 613 154 00 6N3 955 613 156 01	Matt black Control switch (drivers side)		1	
13	955 613 156 02	Discontinued part Control switch (drivers side)		1	
14	955 613 251 01	Trim for switch (drivers side)		1	
15	955 613 251 01 A03 955 613 251 01 5Z1 955 613 251 01 7BA	Black Sand beige steel grey		4	
15	N 903 474 01	oval head panel screw 4 X 12		4	
16	955 613 159 10	Switch		1	PR:4E7

Model: 9PA108 Model life 2007>>2010

Pos	Part Number	Description	Remark	Qty	Model
17	955 613 159 10 6N3	Rear lid release Matt black		1	PR:4E7
	955 613 252 10	Trim for switch			
	955 613 252 10 A03	Black			
	955 613 252 10 L58	chestnut brown			
	955 613 252 10 5Z1	Sand beige			
	955 613 252 10 7BA	steel grey			
18	955 613 161 00	Switch Central locking system	left	1	
	955 613 161 00 6N3	Matt black			
19	955 613 160 00	Switch Central locking system	right	2	
	955 613 160 00 6N3	Matt black			
20	955 613 162 02	Switch for electric window regulator D >> - MJ 2008		3	
	955 613 162 02 6N3	Matt black			
20	955 613 162 03	Switch for electric window regulator D - MJ 2009>>		3	
	955 613 162 03 6N3	Matt black			
21	955 613 253 00	Trim for switch D >> - MJ 2008		3	
	955 613 253 00 A03	Black			
	955 613 253 00 5Z1	Sand beige			
	955 613 253 00 7BA	steel grey			
21	955 613 253 01	Trim for switch D - MJ 2009>>		3	
	955 613 253 01 A03	Black			
	955 613 253 01 5Z1	Sand beige			
	955 613 253 01 7BA	steel grey			
22	955 613 257 00	Switch Adjustment suspension		1	PR:0AW,1BK
(22)	955 613 257 20	Switch Adjustment suspension		1	PR:0AB,1BA, 1BW
(22)	955 613 257 50	Switch Adjustment suspension		1	PR:0AB,1BK
(22)	955 613 257 70	Switch Adjustment suspension		1	PR:1BH
23	N 104 561 01	Socket head bolt with inner multipoint head M4 X 10		4	
24	955 613 165 02	Switch Airbag		1	
	955 613 165 02 9B9	Satin black			
25	955 613 164 00	Switch Tow hitch Electrically adjustable		1	PR:1D9
	955 613 164 00 6N3	Matt black			
26	955 613 166 00	Trim for switch		1	PR:1D9
	955 613 166 00 01C	Satin black			
28	955 613 258 00	Switch for rear lid release Discontinued part		1	PR:4E7
	955 613 258 00 A03	Black			
28	955 613 258 01	Switch for rear lid release		1	PR:4E7
	955 613 258 01 A03	Black			

Model: 9PA108

Model life 2007>>2010



Model: 9PA108 Model life 2007>>2010

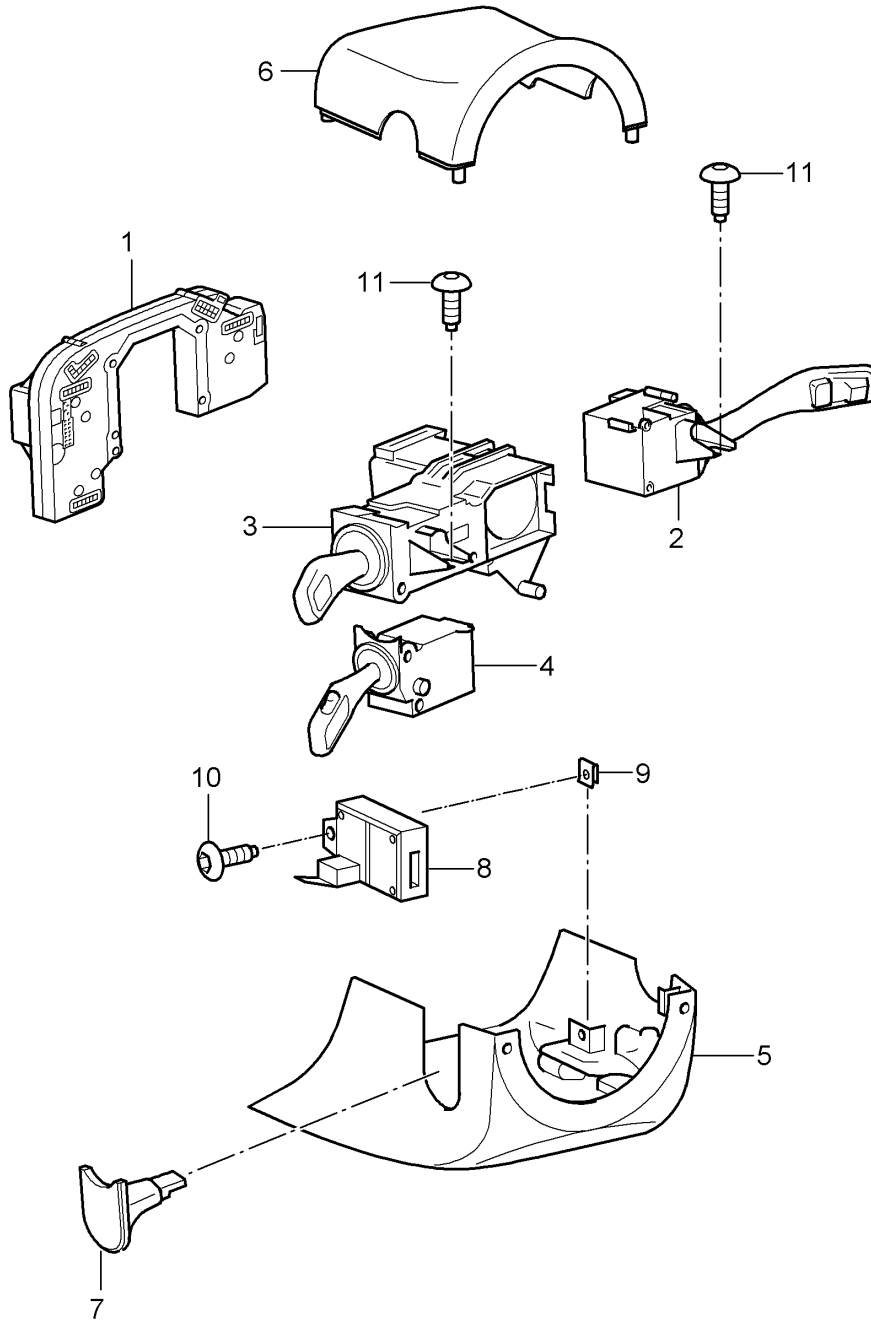
Pos	Part Number	Description	Remark	Qty	Model
1	955 555 557 01	Console Roof retaining frame		1	
	955 555 557 01 A03	Black			
	955 555 557 01 5Z1	Sand beige			
	955 555 557 01 7BA	steel grey			
2	955 552 317 01	Stowage compartment		1	
	955 552 317 01 A03	Black			
3	955 552 318 01	Push button		1	
		Stowage compartment			
	955 552 318 01 6N3	Matt black			
4	N 909 151 01	Oval-head screw 2,2 X 8		X	
5	N 909 868 02	Hexagon socket head panel bolt 4,2 X 13		4	
6	955 613 325 00	Trim for switch		1	
	955 613 325 00 A03	Black			
7	955 613 300 01	Symbol cap		1	
		Set			
	955 613 300 01 6N3	Matt black			
9	955 613 317 00	Symbol cap		1	PR:7X2,7X8, 9ZF,9ZT,9ZH, 9ZP,9W1
	955 613 317 00 6N3	Matt black			
(9)	955 613 317 10	Symbol cap		1	PR:8WU
	955 613 317 10 6N3	Matt black			
10	955 613 327 01	Trim for switch		1	PR:7X2,7X8, 9ZF,9ZT,9ZH, 9ZP,9W1
	955 613 327 01 A03	Black			
(10)	955 613 328 00	Trim for switch		1	PR:7X0,7X9
	955 613 328 00 A03	Black			
11	955 613 329 00	Dummy cover		1	
	955 613 329 00 A03	Black			
12	955 613 310 00	Switch		1	PR:3FE
		Sunroof			
		D >> - MJ 2008			
	955 613 310 00 6N3	Matt black			
(12)	955 613 310 10	Switch		1	PR:3FE
		Sunroof			
		D - MJ 2009>>			
	955 613 310 10 6N3	Matt black			
(12)	955 613 309 01	Switch		1	PR:3FU
		D >> - MJ 2008			
	955 613 309 01 6N3	Matt black			
(12)	955 613 309 10	Switch		1	PR:3FU
		D - MJ 2009>>			
	955 613 309 10 6N3	Matt black			
13	955 613 311 00	Symbol cap		1	PR:3FU
		Sunroof			
	955 613 311 00 6N3	Matt black			
14	955 613 330 00	Trim for switch		1	PR:3FE
	955 613 330 00 A03	Black			
(14)	955 613 331 00	Trim for switch		1	PR:3FU
	955 613 331 00 A03	Black			
(14)	955 613 333 00	Trim for switch		1	PR:3FA
	955 613 333 00 A03	Black			
15	955 613 332 01	Headlight unit		1	PR:3FE
	955 613 332 01 A03	Black			
(15)	955 613 338 00	Headlight unit		1	PR:3FU
	955 613 338 00 A03	Black			

Model: 9PA108 Model life 2007>>2010

Pos	Part Number	Description	Remark	Qty	Model
16	955 613 312 01	Cap with symbol		1	PR:VC1,VC2, 9MB
	955 613 312 01 A03	Black			
17	955 613 334 00	Trim for switch		1	PR:VC1,VC2, 9MB
	955 613 334 00 A03	Black			
(17)	955 613 335 00	Trim for switch		1	PR:VC0
	955 613 335 00 A03	Black			
18	955 613 251 00	P.C. board		1	
19	955 943 812 00	P.C. board		1	PR:3FE
(19)	955 943 812 10	P.C. board		1	PR:3FU
20	955 943 812 20	P.C. board		1	PR:VC1,VC2, 9MB
21	955 613 250 01	P.C. board		1	
22	955 612 501 00	Wire set		1	
23	955 612 502 00	Wire set		1	PR:VC1,VC2, 9MB
24	955 555 558 00	Support section Console Roof		1	
25	N 101 734 01	Speed nut 4,2 X 9,6		2	
-		Sensor Interior monitoring see illustration:	901-004		
-		Control unit see illustration:	901-004		PR:VC1,VC2
-		interior light see illustration:	903-004		
-		microphone see illustration:	911-010		
-		D >> - MJ 2008 microphone see illustration:	911-011		
-		D - MJ 2009>>			

Model: 9PA108

Model life 2007>>2010

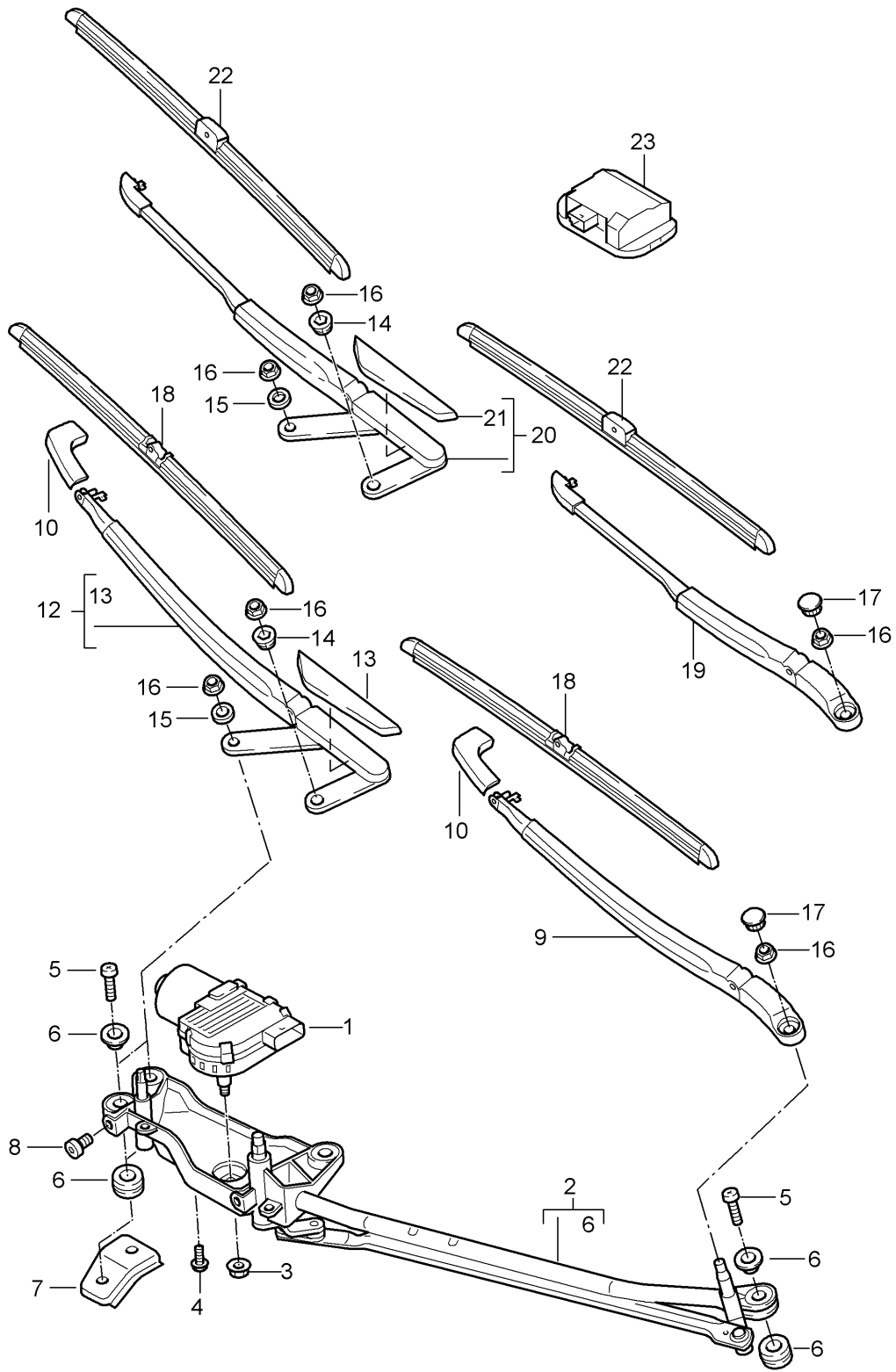


Model: 9PA108 Model life 2007>>2010

Pos	Part Number	Description	Remark	Qty	Model
1	955 613 291 01	Steering column switch Electronic unit		1	PR:2PM,2FV
(1)	955 613 292 01	Electronic unit		1	PR:2PH,2PR
2	955 613 244 01	Wiper switch		1	
	955 613 244 01 B41	Satin black			
3	955 613 245 00	Direction indicator switch		1	
	955 613 245 00 B41	Satin black			PR:-QH1
(3)	955 613 219 00	Direction indicator switch D >> - MJ 2009 Discontinued part		1	PR:QH1
	955 613 219 00 B41	Satin black			
(3)	955 613 219 01	Direction indicator switch		1	PR:QH1
	955 613 219 01 B41	Satin black			
4	955 613 261 00	Switch Cruise control		1	PR:8T1
	955 613 261 00 B41	Satin black			
-	N 909 068 01	Hex socket head locating bolt M 2,5 X 2,6 X 43,5-D		X	
5	955 552 275 00	Switch housing	lower	1	PR:2C4
	955 552 275 00 A03	Black			
	955 552 275 00 5V7	Stone grey			
	955 552 275 00 5Y9	Havanna			
	955 552 275 00 5Z1	Sand beige			
(5)	955 552 276 01	Switch housing	lower	1	PR:2C5
	955 552 276 01 A03	Black			
	955 552 276 01 5V7	Stone grey			
	955 552 276 01 5Y9	Havanna			
	955 552 276 01 5Z1	Sand beige			
6	955 552 277 00	Switch housing	upper	1	
	955 552 277 00 A03	Black			
	955 552 277 00 5V7	Stone grey			
	955 552 277 00 5Y9	Havanna			
	955 552 277 00 5Z1	Sand beige			
7	955 552 278 00	Dummy cover		1	
	955 552 278 00 A03	Black			
	955 552 278 00 5V7	Stone grey			
	955 552 278 00 5Y9	Havanna			
	955 552 278 00 5Z1	Sand beige			
8	955 613 222 00	Memory switch steering wheel		1	PR:2C4
9	N 906 988 01	Speed nut 4,2 X 16 X 12		1	
10	N 906 986 01	Hexagon socket head panel bolt 4,2 X 16		1	PR:2C4
11	N 910 239 01	fillister hd. bolt 3,5 X 12		2	

Model: 9PA108

Model life 2007>>2010



Model: 9PA108 Model life 2007>>2010

Pos	Part Number	Description	Remark	Qty	Model
		Windscreen wiper system, compl Rain sensor			
1	955 624 105 03	Wiper motor	lhd	1	PR:L0L
(1)	955 624 105 08	Wiper motor	rhd	1	PR:L0R
2	955 628 137 11	Crank drive	lhd	1	PR:L0L
		D >> - MJ 2008 Discontinued part			
2	955 628 137 12	Crank drive	lhd	1	PR:L0L
(2)	955 628 138 11	Crank drive	rhd	1	PR:L0R
		D >> - MJ 2008 Discontinued part			
(2)	955 628 138 12	Crank drive	rhd	1	PR:L0R
3	N 902 291 04	Hexagon collar nut M 8		1	
4	N 909 434 02	Flat head bolt with hexagon socket head, thread forming M 6 X 16		3	
5	N 105 355 02	Hexagon socket head bolt (combi) M 6 X 30		4	
6	955 628 711 00	repair set comprising:		1	
-		bush 13,6 MM		2	
-		bush 6,4 X 13,6 MM		1	
-		bush 6,4 MM		1	
-		Grommet		4	
7	955 628 717 00	Support	lhd	1	PR:L0L
(7)	955 628 718 00	Support	rhd	1	PR:L0R
8	955 628 035 00	Screw M 6 X 10		2	
9	955 628 028 13	Wiper arm (drivers side)	lhd	1	PR:L0L
		F >> 9P-8LA10 081 F >> 9P-8LA40 054 F >> 9P-8LA90 089			
(9)	955 628 027 13	Wiper arm (drivers side)	rhd	1	PR:L0R
		F >> 9P-8LA10 081 F >> 9P-8LA40 054 F >> 9P-8LA90 089			
10	955 628 306 01	Cover	lhd	2	PR:L0L
		F >> 9P-8LA10 081 F >> 9P-8LA40 054 F >> 9P-8LA90 089			
(10)	955 628 307 01	Cover	rhd	2	PR:L0R
		F >> 9P-8LA10 081 F >> 9P-8LA40 054 F >> 9P-8LA90 089			
12	955 628 029 13	Wiper arm (passenger side)	lhd	1	PR:L0L
		F >> 9P-8LA10 081 F >> 9P-8LA40 054 F >> 9P-8LA90 089			
(12)	955 628 026 13	Wiper arm (passenger side)	rhd	1	PR:L0R
		F >> 9P-8LA10 081 F >> 9P-8LA40 054 F >> 9P-8LA90 089			
13	955 628 308 02	Cover	lhd	1	PR:L0L
		F >> 9P-8LA10 081			

Model: 9PA108 Model life 2007>>2010

Pos	Part Number	Description	Remark	Qty	Model
(13)	955 628 309 02	F >> 9P-8LA40 054 F >> 9P-8LA90 089 Cover F >> 9P-8LA10 081 F >> 9P-8LA40 054 F >> 9P-8LA90 089	rhd	1	PR:L0R
14	955 628 313 00	ring		1	
15	955 628 312 00	Washer		1	
16	N 102 613 05	Hexagon nut M 10		3	
17	955 628 305 01	Cap (drivers side)		1	
(17)	955 628 305 02	cap for wiper arm (passenger side)		2	
18	955 628 939 03	1 set: wiper blades (drivers side) (passenger side) without: Cover use if required: POS. 10 F >> 9P-8LA10 166 F >> 9P-8LA40 068 F >> 9P-8LA90 044	front LHD	1	PR:L0L
(18)	955 628 941 03	1 set: wiper blades Set (drivers side) (passenger side) without: Cover use if required: POS. 10 F >> 9P-8LA10 081 F >> 9P-8LA40 054 F >> 9P-8LA90 089	rhd	1	PR:L0R
19	955 628 028 21	Wiper arm (drivers side) F 9P-8LA10 082>> F 9P-8LA40 055>> F 9P-8LA70 001>> F 9P-8LA90 090>>	lhd	1	PR:L0L
(19)	955 628 027 20	Wiper arm (drivers side) F 9P-8LA10 082>> F 9P-8LA40 055>> F 9P-8LA70 001>> F 9P-8LA90 090>>	rhd	1	PR:L0R
(19)	955 628 027 21	Discontinued part Wiper arm (drivers side) F 9P-8LA10 082>> F 9P-8LA40 055>> F 9P-8LA70 001>> F 9P-8LA90 090>>	rhd	1	PR:L0R
20	955 628 029 21	Wiper arm (passenger side) F 9P-8LA10 082>> F 9P-8LA40 055>> F 9P-8LA70 001>> F 9P-8LA90 090>>	lhd	1	PR:L0L
(20)	955 628 026 20	Wiper arm (passenger side) F 9P-8LA10 082>>	rhd	1	PR:L0R

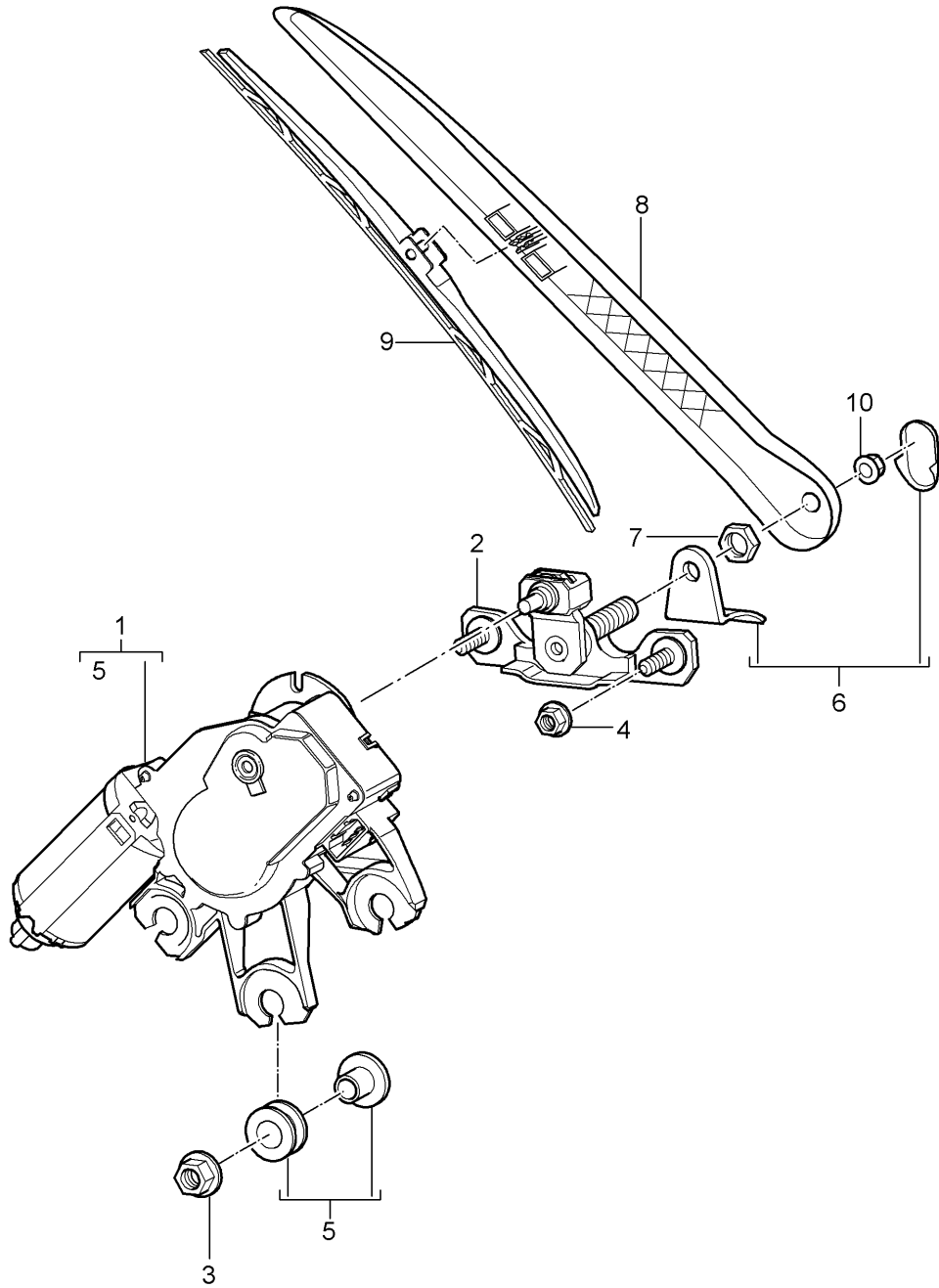
Model: 9PA108

Model life 2007>>2010

Pos	Part Number	Description	Remark	Qty	Model
(20)	955 628 026 21	F 9P-8LA40 055>> F 9P-8LA70 001>> F 9P-8LA90 090>> Discontinued part Wiper arm (passenger side)	rhd	1	PR:L0R
21	955 628 309 10	F 9P-8LA10 082>> F 9P-8LA40 055>> F 9P-8LA70 001>> F 9P-8LA90 090>> Cover	lhd	1	PR:L0L
(21)	955 628 308 10	F 9P-8LA10 082>> F 9P-8LA40 055>> F 9P-8LA70 001>> F 9P-8LA90 090>> Cover	rhd	1	PR:L0R
22	955 628 939 11	F 9P-8LA10 082>> F 9P-8LA40 055>> F 9P-8LA70 001>> F 9P-8LA90 090>> 1 set: wiper blades Set (drivers side) (passenger side)	lhd	1	PR:L0L
22	955 628 941 11	F 9P-8LA10 082>> F 9P-8LA40 055>> F 9P-8LA70 001>> F 9P-8LA90 090>> 1 set: wiper blades Set (drivers side) (passenger side)	rhd	1	PR:L0R
23	955 618 518 03	F 9P-8LA10 082>> F 9P-8LA40 055>> F 9P-8LA70 001>> F 9P-8LA90 090>> Rain sensor		1	

Model: 9PA108

Model life 2007>>2010



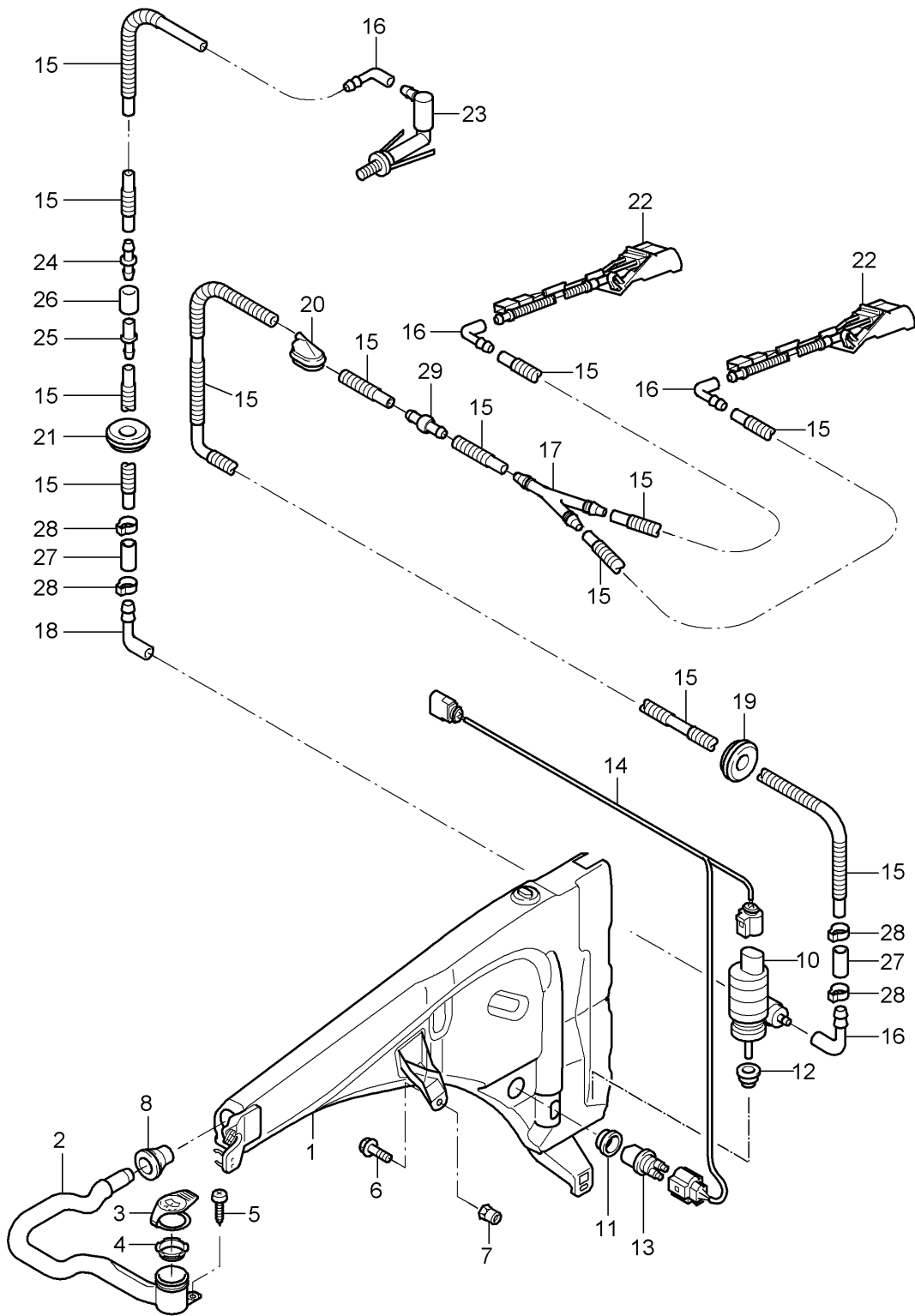
Model: 9PA108

Model life 2007>>2010

Pos	Part Number	Description	Remark	Qty	Model
1	955 628 080 04	Rear window wiper Wiper motor		1	
2	955 628 090 04	Crank drive D >> - MJ 2008 Discontinued part		1	
2	955 628 090 05	Crank drive		1	
3	N 907 143 03	hex. nut with washer M 6		3	
4	N 902 158 04	Hexagon nut M 6		2	
5	955 628 721 00	repair set comprising:		1	
-		Grommet		3	
-		bush		3	
6	955 628 320 02	Tip switch (complete)		1	PR:QL3,QL5
6	955 628 321 02	Tip switch (complete)		1	PR:QL6
7	N 021 284 5	Hexagon collar nut M 18 X 1,5		1	
8	955 628 040 02	Wiper arm use if required:		1	
9	955 628 050 00	Pos. 6 wiper blade	rear	1	
10	N 011 008 40	Hexagon nut M 8		1	

Model: 9PA108

Model life 2007>>2010



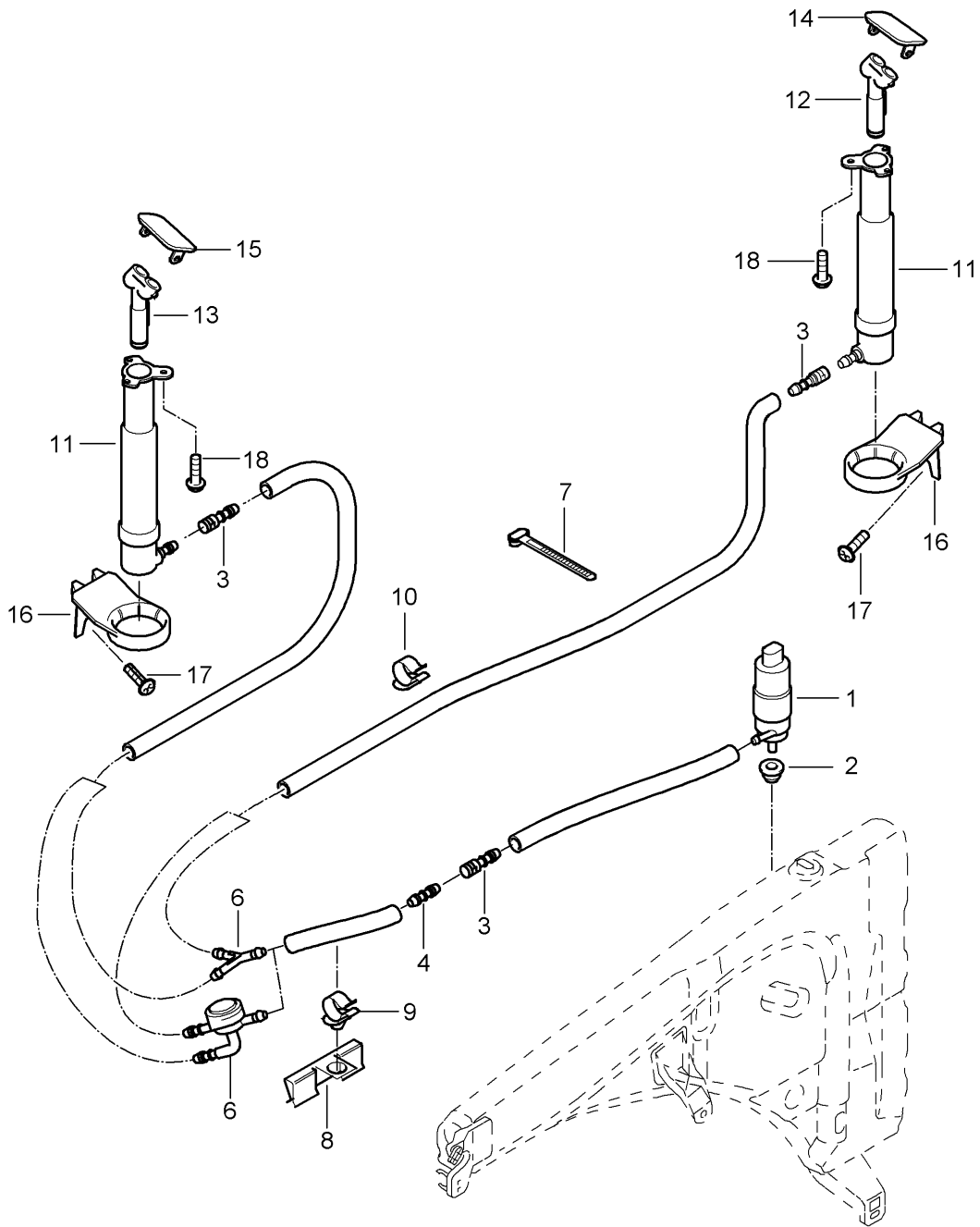
Model: 9PA108

Model life 2007>>2010

Pos	Part Number	Description	Remark	Qty	Model
1	955 528 703 00	Windscreen washer system		1	PR:8X1
(1)	955 528 704 00	Water reservoir		1	PR:8X0
2	955 528 605 02	fuel filler neck		1	
3	955 528 607 01	Cover		1	
4	955 528 606 02	strainer		1	
5	N 906 986 03	Hexagon socket head panel bolt 4,2 X 16		1	
6	N 908 204 01	bolt, hex. hd. (combi.) self-locking M 6 X 16		2	
7	N 902 631 04	rivetted cap nut M 6 / 0,7		2	
8	955 528 711 01	Seal fuel filler neck		1	
10	955 628 172 01	Windscreen washer system pump		1	
11	955 528 721 00	Seal		1	
12	955 628 712 00	Seal		1	
13	955 628 105 00	Water level switch		1	
14	955 612 700 00	Wire set		1	
15	955 628 130 00	Hose 6,0 X 1,0 10000 MM		X	
16	955 628 200 01	Elbow fitting		4	
17	955 628 210 00	Distributor		1	
18	955 628 230 01	Elbow fitting		1	
19	955 628 250 00	Cable support sleeve		1	
20	955 628 251 00	Grommet		1	
21	955 628 252 00	Grommet		1	
22	955 628 077 01	Water jet 2-jet injector Discontinued part		2	
(22)	955 628 077 02	Water jet 3-jet injector Discontinued part		2	
(22)	955 628 077 03	Water jet 3-jet injector		2	
23	955 628 078 01	Water jet Rear end		1	
-		repair set for Hose			
24	955 628 222 00	Connection piece		1	
25	955 628 223 00	Connection piece		1	
26	955 628 224 00	Shrink-fit hose		1	
27	955 628 225 00	Hose		1	
28	N 020 902 2	Cable ties See technical manual Gr. 9254		2	
-		use if required:			
29	955 628 270 00	Non-return valve		1	
-	999 901 017 42	Window cleaning solution 250 ML Summer		X	
-	999 901 033 40	Window cleaning solution 1000 ML Winter		X	

Model: 9PA108

Model life 2007>>2010

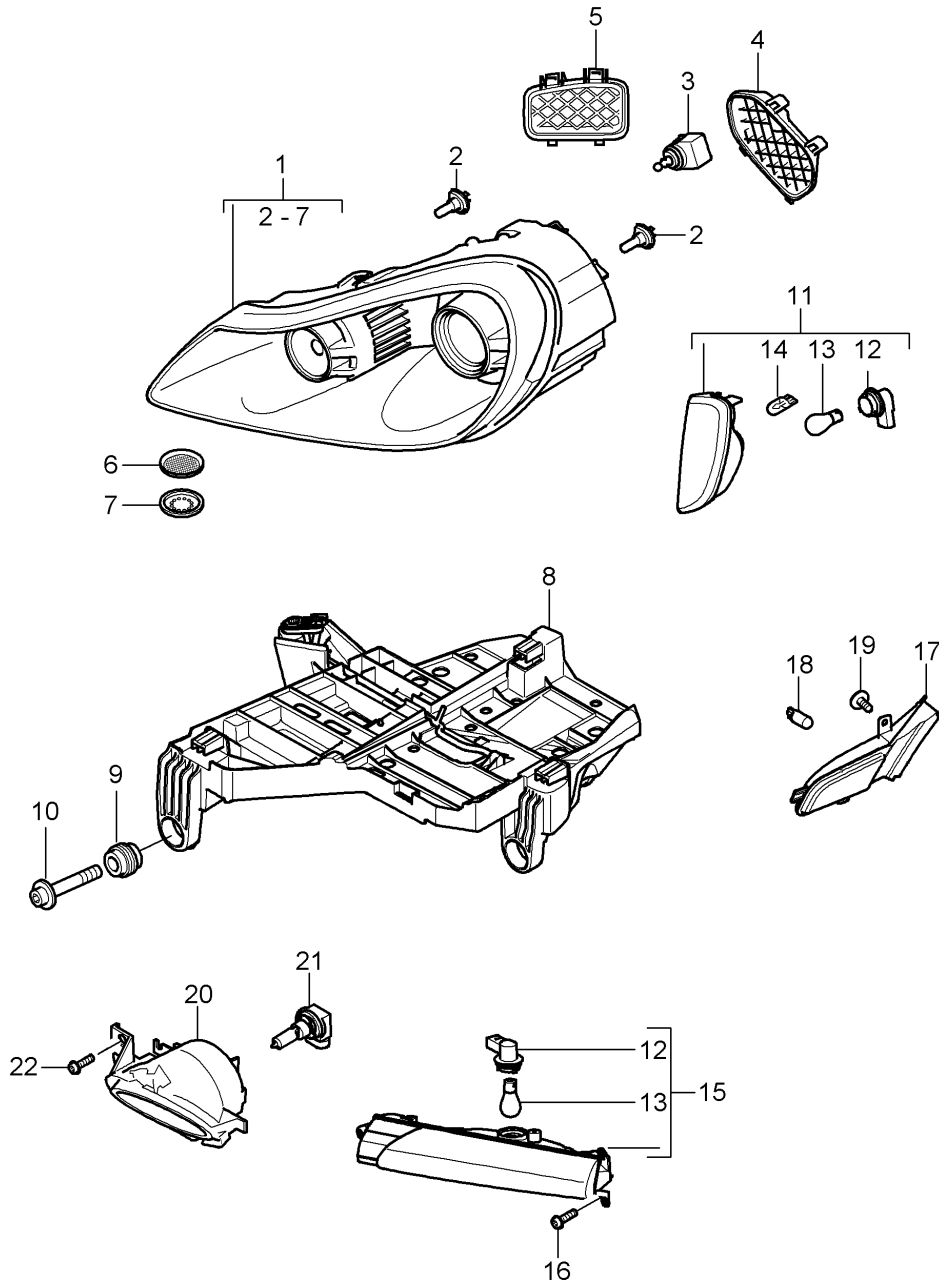


Model: 9PA108 Model life 2007>>2010

Pos	Part Number	Description	Remark	Qty	Model
1	955 624 502 00	Headlight washer system Pump for headlight- washer system		1	
2	431 955 465 A	Seal		1	
-	955 628 181 00	Hose 10 X 3 MM 5000 MM		1	
3	955 628 204 00	Connection piece		3	
4	955 628 205 00	Connection piece		1	
6	955 628 160 00	Distributor		1	
6	955 628 160 10	Distributor		1	
		with:			
7	N 900 051 01	Valve Cable ties 4,6 X 172		5	PR:D5Z
8	955 628 025 00	Clip		1	
9	955 628 260 00	Hose bracket		1	
10	955 628 260 01	Hose bracket		3	PR:D5X,D5V
11	955 628 180 10	Nozzle holder		2	
12	955 628 161 10	Nozzle holder	left	1	
13	955 628 162 10	Nozzle holder	right	1	
14	955 628 301 11	Cover panel	left	1	PR:D5X,D5V, -E0W,-E1T
	955 628 301 11 G2X	primed			
(14)	955 628 303 11	Cover panel	left	1	PR:E0W,E1T
	955 628 303 11 G2X	primed			
(14)	955 628 303 11	Cover panel	left	1	PR:D5Z
	955 628 303 11 G2X	primed			
15	955 628 302 11	Cover panel	right	1	PR:D5X,D5V, -E0W,-E1T
	955 628 302 11 G2X	primed			
(15)	955 628 304 11	Cover panel	right	1	PR:E0W,E1T
	955 628 304 11 G2X	primed			
(15)	955 628 304 11	Cover panel	right	1	PR:D5Z
	955 628 304 11 G2X	primed			
16	955 628 189 00	Bracket		2	
17	N 908 082 01	Hexagon socket head panel bolt 6,0 X 18,5		4	
18	N 905 624 01	oval head panel screw 3,5 X 10,0		4	

Model: 9PA108

Model life 2007>>2010



Model: 9PA108

Model life 2007>>2010

Pos	Part Number	Description	Remark	Qty	Model
1	955 631 173 01	Headlights Turn signal repeater Fog lights Headlights	left	1	PR:8BB,8BR
1	955 631 173 02	Headlights	left	1	PR:8BB,8BR
(1)	955 631 174 01	Headlights Discontinued part	right	1	PR:8BB,8BR
(1)	955 631 174 02	Headlights	right	1	PR:8BB,8BR
(1)	955 631 173 10	Headlights	left	1	PR:8BF
(1)	955 631 174 10	Headlights Discontinued part	right	1	PR:8BF
(1)	955 631 174 11	Headlights	right	1	PR:8BF
2	999 631 133 91	Halogen bulb H 7		4	
(2)	999 631 144 91	Halogen bulb H 11		2	
3	955 624 219 00	Adjusting motor Headlight range control		2	
4	955 631 237 00	Protective hood	left	1	
(4)	955 631 238 00	Protective hood	right	1	
5	955 631 241 00	Protective hood	left	1	
(5)	955 631 242 00	Appendix High beam Protective hood Appendix High beam	right	1	
6	955 631 254 00	filter element		2	
7	955 631 255 00	Ventilation component		2	
8	955 631 043 00	Mounting for main beam headl.	left	1	
(8)	955 631 044 00	Mounting for main beam headl.	right	1	
9	955 631 062 03	tensioner		8	
10	955 631 052 01	Fastening screw		8	
11	955 631 181 02	Turn signal indicator	left	1	PR:D5V,D5X
11	955 631 181 02	Turn signal indicator	left	1	PR:D50
(11)	955 631 182 02	Turn signal indicator	right	1	PR:D5V,D5X
(11)	955 631 182 02	Turn signal indicator	right	1	PR:D50
12	955 631 183 00	Bulb holder		2	
13	900 631 021 90	bulb		2	
14	N 017 753 8	Turn signal indicator bulb, blue glass W5W Blue Vision Position light		2	
15	955 631 185 02	Turn signal indicator	left	1	PR:E0W
(15)	955 631 186 02	Turn signal indicator	right	1	PR:E0W
16	N 908 082 01	Hexagon socket head panel bolt 6 x 18		6	
17	955 631 035 01	Turn signal repeater	left	1	PR:6GA,8F2
(17)	955 631 035 20	Turn signal repeater	left	1	PR:6GE,6GF, 6GJ,6GK
(17)	955 631 036 01	Turn signal repeater	right	1	PR:6GA,8F2
(17)	955 631 036 20	Turn signal repeater	right	1	PR:6GE,6GF, 6GJ,6GK
-	958 612 273 00	Wire set Bulb holder Sub-part modify in workshop		1	
18	999 631 138 90	bulb 5 W yellow		2	
19	N 908 082 01	Hexagon socket head panel bolt 6 X 18,5		12	
20	955 631 165 01	Fog lights	left	1	

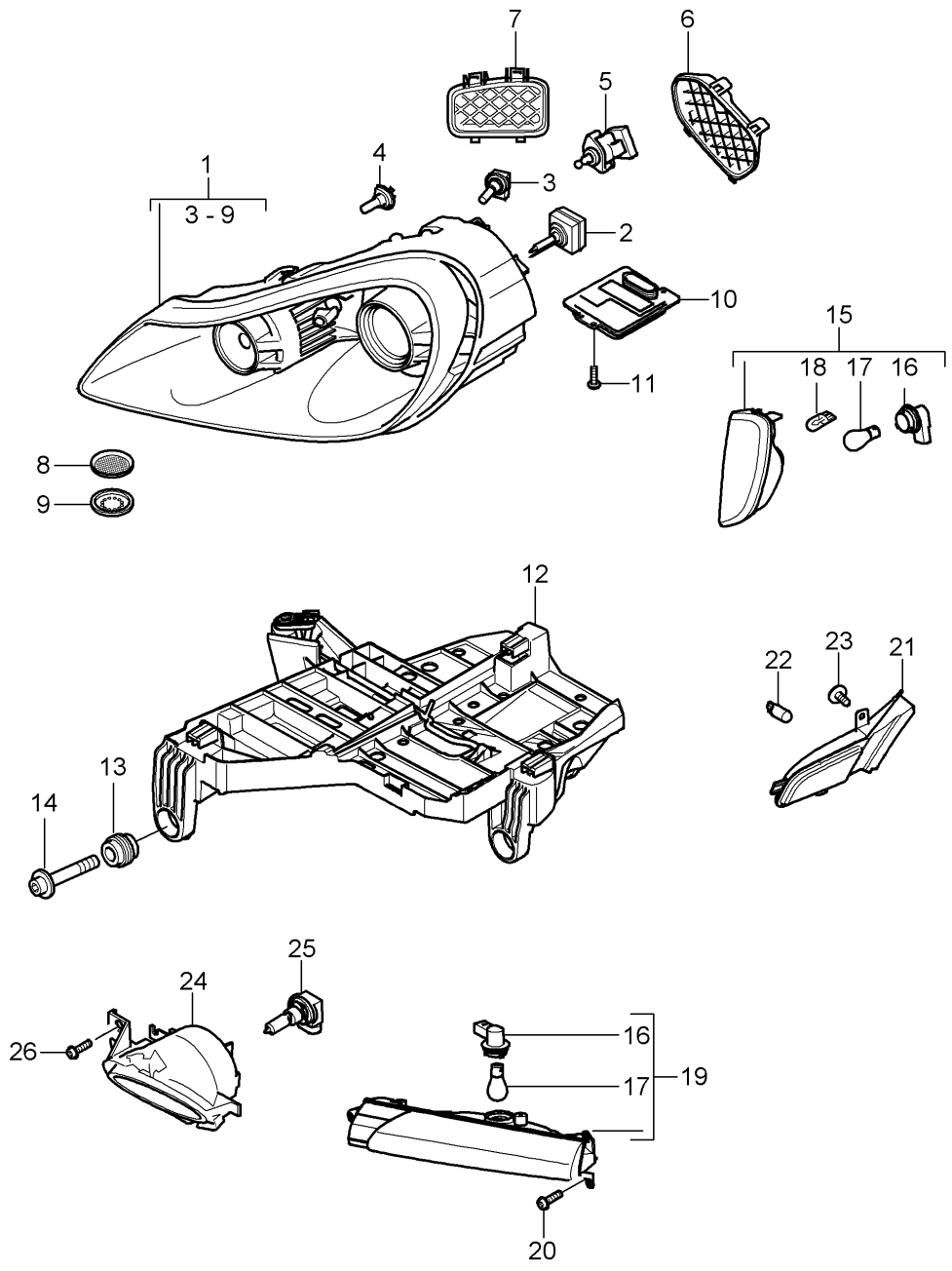
Model: 9PA108

Model life 2007>>2010

Pos	Part Number	Description	Remark	Qty	Model
(20)	955 631 166 01	Fog lights	right	1	
21	999 631 144 91	Halogen bulb H 11		2	
22	N 908 794 02	Hexagon socket head panel bolt 5 x 16		6	

Model: 9PA108

Model life 2007>>2010



Model: 9PA108 Model life 2007>>2010

Pos	Part Number	Description	Remark	Qty	Model
		Headlights Turn signal repeater NEBELSCHEINWERFER			PR:8BC,8BZ, 8JD,8EF,8EE, 8EG
1	955 631 175 01	Headlights	left	1	PR:8BC
1	955 631 175 30	Headlights	left	1	PR:8EF
(1)	955 631 176 01	Headlights	right	1	PR:8BC
		Discontinued part			
(1)	955 631 176 02	Headlights	right	1	PR:8BC
(1)	955 631 176 30	Headlights	right	1	PR:8EF
(1)	955 631 175 10	Headlights	left	1	PR:8BZ
(1)	955 631 175 40	Headlights	left	1	PR:8EE
(1)	955 631 176 10	Headlights	right	1	PR:8BZ
(1)	955 631 176 40	Headlights	right	1	PR:8EE
2	N 105 661 01	Gas discharge lamp D1S		2	
-	955 631 199 00	retaining ring for bulb D1S		2	
3	999 631 144 91	Halogen bulb H 11		2	
4	999 631 133 91	Halogen bulb Appendix High beam H 7		4	
5	955 624 220 00	Adjusting motor Headlight range control		2	
6	955 631 237 00	Protective hood	left	1	
(6)	955 631 238 00	Protective hood	right	1	
7	955 631 241 00	Protective hood Appendix High beam	left	1	
(7)	955 631 242 00	Protective hood Appendix High beam	right	1	
8	955 631 254 00	filter element		2	
9	955 631 255 00	Ventilation component		2	
10	955 631 194 02	Ignition control unit		2	
11	N 104 159 03	Oval hexagon socket head bolt 4 x 12		X	
12	955 631 043 00	Mounting for main beam headl.	left	1	
(12)	955 631 044 00	Mounting for main beam headl.	right	1	
13	955 631 062 03	tensioner		8	
14	955 631 052 01	Fastening screw		8	
15	955 631 181 02	Turn signal indicator	left	1	PR:D5V,D5X
15	955 631 181 02	Turn signal indicator	left	1	PR:D50
(15)	955 631 182 02	Turn signal indicator	right	1	PR:D5V,D5X
(15)	955 631 182 02	Turn signal indicator	right	1	PR:D50
16	955 631 183 00	Bulb holder		2	
17	900 631 021 90	bulb		2	
18	N 017 753 8	Turn signal indicator bulb, blue glass W5W Blue Vision Position light		2	
19	955 631 185 02	Turn signal indicator	left	1	PR:D5Z
19	955 631 185 02	Turn signal indicator	left	1	PR:E0W
(19)	955 631 186 02	Turn signal indicator	right	1	PR:D5Z
(19)	955 631 186 02	Turn signal indicator	right	1	PR:E0W
20	N 908 082 01	Hexagon socket head panel bolt 6 x 18		6	
21	955 631 035 01	Turn signal repeater	left	1	PR:6GA,8F2
(21)	955 631 035 20	Turn signal repeater	left	1	PR:6GE,6GF,

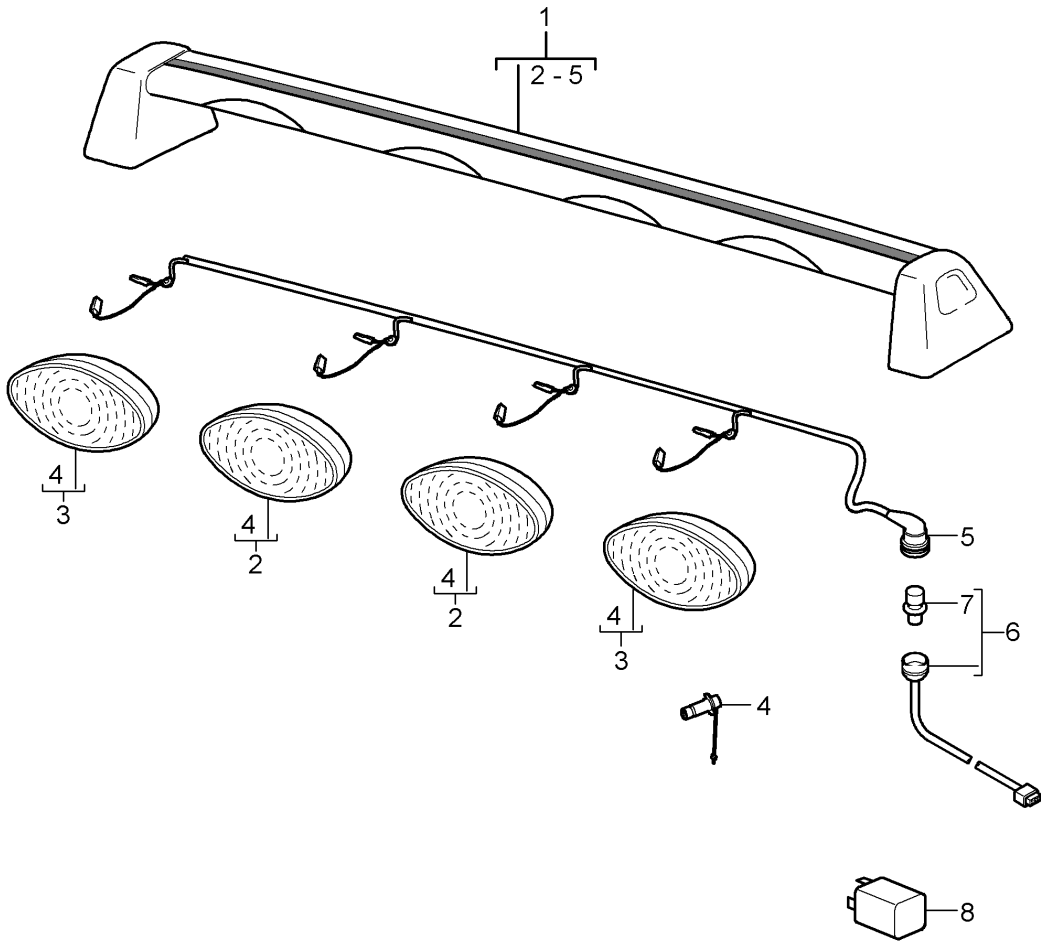
Model: 9PA108

Model life 2007>>2010

Pos	Part Number	Description	Remark	Qty	Model
(21)	955 631 036 01	Turn signal repeater	right	1	6GJ, 6GK
(21)	955 631 036 20	Turn signal repeater	right	1	PR: 6GA, 8F2
-	958 612 273 00	Wire set Bulb holder Sub-part modify in workshop		1	PR: 6GE, 6GF, 6GJ, 6GK
22	999 631 138 90	bulb 5 W yellow		2	
23	N 908 082 01	Hexagon socket head panel bolt 6 X 18,5		12	
24	955 631 165 01	Fog lights	left	1	
(24)	955 631 166 01	Fog lights	right	1	
25	999 631 144 91	Halogen bulb H 11		2	
26	N 908 794 02	Hexagon socket head panel bolt 5 x 16		6	

Model: 9PA108

Model life 2007>>2010



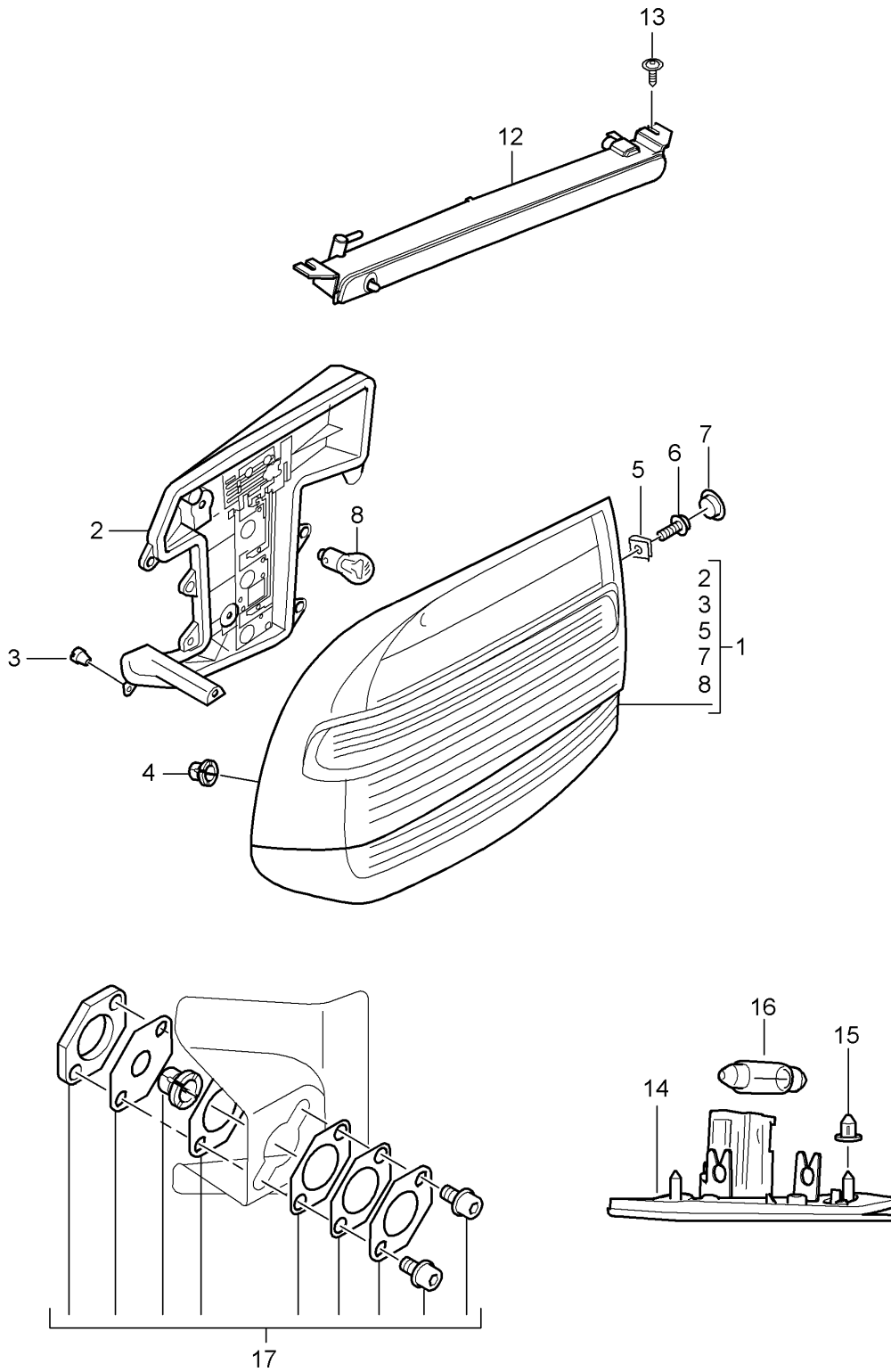
Model: 9PA108

Model life 2007>>2010

Pos	Part Number	Description	Remark	Qty	Model
		Additional headlight			PR:8WU
1	955 801 153 00	Roof Carrier (complete)		1	
2	955 631 751 00	1 set high-beam lights		2	
3	955 631 752 00	Fog lights 1 set		2	
4	900 631 126 90	Halogen bulb H 3		4	
5	955 612 079 00	Wire set Carrier		1	
6	955 612 075 00	Wire set Roof		1	
7	955 612 076 00	Cover Socket		1	
8	955 615 413 00	Relay		1	
-		Switch see illustration, item:	903-006,(9)	1	

Model: 9PA108

Model life 2007>>2010



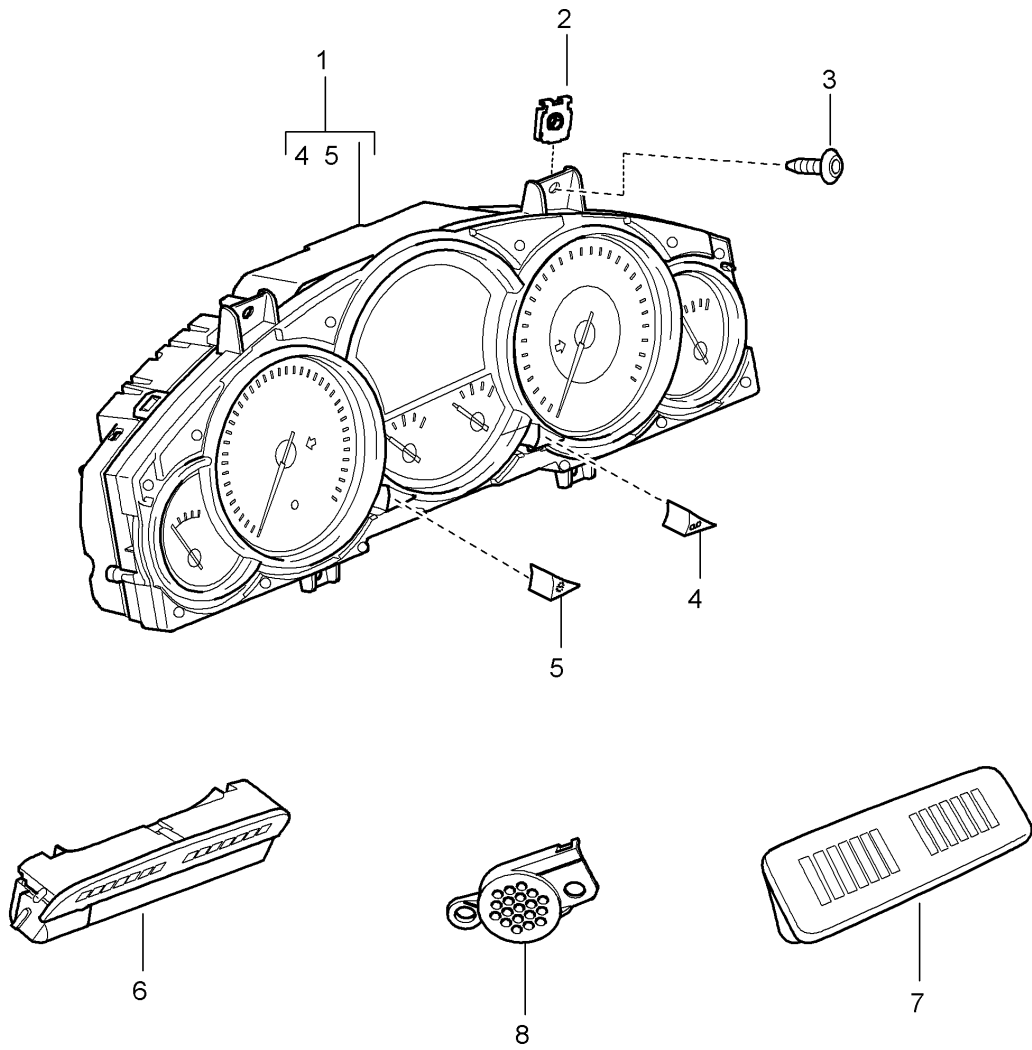
Model: 9PA108

Model life 2007>>2010

Pos	Part Number	Description	Remark	Qty	Model
		Rear light			
		Licence plate light			
		Additional brake light			
		repair set			
		Rear light			
1	955 631 487 01	Tail light housing	left	1	
(1)	955 631 488 01	Tail light housing	right	1	
2	955 631 439 00	Bulb carrier	left	1	
(2)	955 631 440 00	Bulb carrier	right	1	
3	N 903 474 06	Bolt with washer 4 x 12		X	
4	955 631 471 02	insert nut		2	
5	N 901 686 04	Speed nut M 6 X 23,4 X 16		4	
6	N 101 148 06	Socket head bolt with hexagon socket head (combination) M 6 X 15		4	
7	955 631 475 00	Cover cap		4	
8	900 631 127 90	bulb 21 W		X	
12	955 631 050 02	Additional brake light		1	
13	N 908 401 03	Hex socket oval head collared 4 X 14		2	
14	955 631 620 03	Licence plate light Discontinued part		2	
14	955 631 620 04	Licence plate light		2	PR:-1G3
(14)	997 631 620 01	Licence plate light Discontinued part		2	PR:1G3
(14)	997 631 620 02	Licence plate light		2	PR:1G3
15	N 908 378 02	expanding nut 3,0 X 11,1		4	
16	900 631 105 90	bulb 5 W		2	
-		repair set			
17	955 631 215 00	Rear light repair set		1	
-		comprising:			
-		Threaded plate		1	
-		Nut lock		1	
-	955 631 471 02	insert nut		1	
-		Spacer plate 0,5 MM		2	
-		Spacer plate 1,0 MM		2	
-		Bolt with washer M 5 X 12		2	

Model: 9PA108

Model life 2007>>2010



Model: 9PA108 Model life 2007>>2010

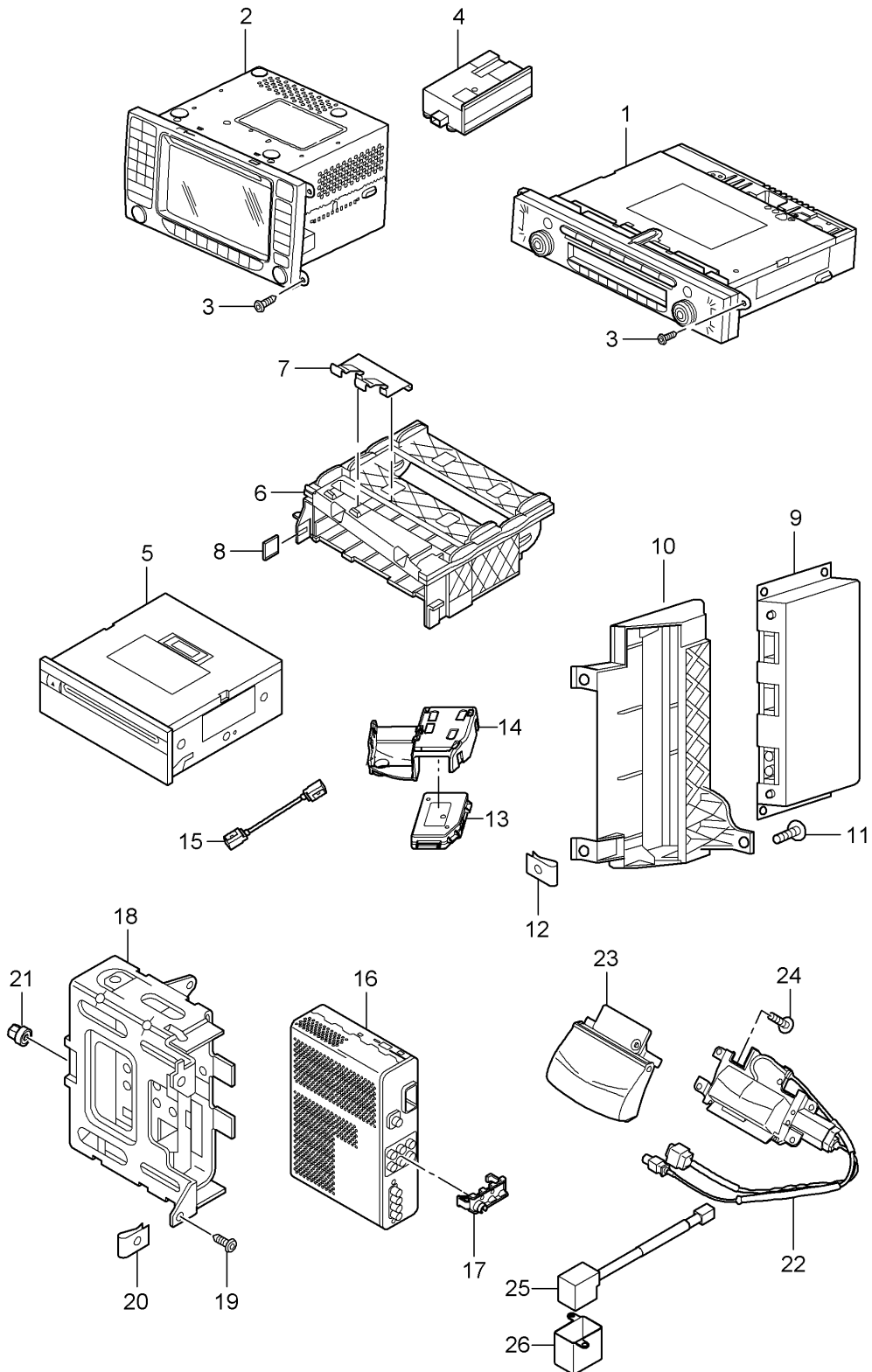
Pos	Part Number	Description	Remark	Qty	Model
		Instruments Display unit Parking aid magnetic field probe Compass			
1	955 641 134 00	Combi-instrument D >> - MJ 2008		1	PR:D5X
1	955 641 134 X	Combi-instrument D >> - MJ 2008		1	PR:D5X
1	955 641 134 10	Combi-instrument D - MJ 2009>>		1	PR:D5X
1	955 641 134 AX	Combi-instrument D - MJ 2009>>		1	PR:D5X
(1)	955 641 135 00	Combi-instrument D >> - MJ 2008		1	PR:U5B,D5X
(1)	955 641 135 X	Combi-instrument D >> - MJ 2008		1	PR:U5B,D5X
(1)	955 641 135 10	Combi-instrument D - MJ 2009>>		1	PR:U5B,D5X
(1)	955 641 135 AX	Combi-instrument D - MJ 2009>>		1	PR:U5B,D5X
1	955 641 144 10	Combi-instrument		1	PR:D50
1	955 641 144 AX	Combi-instrument		1	PR:D50
(1)	955 641 145 10	Combi-instrument		1	PR:U5B,D50
(1)	955 641 145 AX	Combi-instrument		1	PR:U5B,D50
(1)	955 641 234 00	Combi-instrument D >> - MJ 2008		1	PR:D5V
(1)	955 641 234 X	Combi-instrument D >> - MJ 2008		1	PR:D5V
(1)	955 641 234 10	Combi-instrument D - MJ 2009>>		1	PR:D5V
(1)	955 641 234 AX	Combi-instrument D - MJ 2009>>		1	PR:D5V
(1)	955 641 234 20	Combi-instrument D - MJ 2009>>		1	PR:D5V,6FI
(1)	955 641 234 BX	Combi-instrument D - MJ 2009>>		1	PR:D5V,6FI
(1)	955 641 234 30	Combi-instrument D - MJ 2009>>		1	PR:D5V,6FM, 6FP
(1)	955 641 234 CX	Combi-instrument D - MJ 2009>>		1	PR:D5V,6FM, 6FP
(1)	955 641 234 40	Combi-instrument D - MJ 2010>>		1	PR:D5V,E1T
(1)	955 641 234 DX	Combi-instrument D - MJ 2010>>		1	PR:D5V,E1T
(1)	955 641 235 00	Combi-instrument D >> - MJ 2008		1	PR:U5B,D5V
(1)	955 641 235 X	Combi-instrument D >> - MJ 2008		1	PR:U5B,D5V
(1)	955 641 235 10	Combi-instrument D - MJ 2009>>		1	PR:U5B,D5V
(1)	955 641 235 AX	Combi-instrument D - MJ 2009>>		1	PR:U5B,D5V
(1)	955 641 235 20	Combi-instrument D - MJ 2009>>		1	PR:U5B,D5V, 6FI
(1)	955 641 235 BX	Combi-instrument D - MJ 2009>>		1	PR:U5B,D5V, 6FI
(1)	955 641 235 30	Combi-instrument D - MJ 2009>>		1	PR:U5B,D5V, 6FM,6FP
(1)	955 641 235 CX	Combi-instrument D - MJ 2009>>		1	PR:U5B,D5V, 6FM,6FP
(1)	955 641 235 40	Combi-instrument D - MJ 2010>>		1	PR:U5B,D5V, E1T

Model: 9PA108 Model life 2007>>2010

Pos	Part Number	Description	Remark	Qty	Model
(1)	955 641 235 DX	Combi-instrument D - MJ 2010>>		1	PR:U5B,D5V, E1T
(1)	955 641 334 00	Combi-instrument D >> - MJ 2008		1	PR:D5Z
(1)	955 641 334 X	Combi-instrument D >> - MJ 2008		1	PR:D5Z
(1)	955 641 334 10	Combi-instrument D - MJ 2009>>		1	PR:D5Z
(1)	955 641 334 AX	Combi-instrument D - MJ 2009>>		1	PR:D5Z
(1)	955 641 334 20	Combi-instrument D - MJ 2009>>		1	PR:E8A,D5Z
(1)	955 641 334 BX	Combi-instrument D - MJ 2009>>		1	PR:E8A,D5Z
(1)	955 641 335 00	Combi-instrument D >> - MJ 2008		1	PR:U5B,D5Z
(1)	955 641 335 X	Combi-instrument D >> - MJ 2008		1	PR:U5B,D5Z
(1)	955 641 335 10	Combi-instrument D - MJ 2009>>		1	PR:U5B,D5Z
(1)	955 641 335 AX	Combi-instrument D - MJ 2009>>		1	PR:U5B,D5Z
(1)	955 641 335 20	Combi-instrument D - MJ 2009>>		1	PR:U5B,E8A
(1)	955 641 335 BX	Combi-instrument D - MJ 2009>>		1	PR:U5B,E8A
2	N 906 987 01	Speed nut 4,2x 16 x 12		4	
3	N 906 986 01	Hexagon socket head panel bolt 4,2 X 16		4	
4	955 641 070 00	knob throttle control element Trip meter		1	
5	955 641 070 10	knob throttle control element Clock		1	
6	955 641 222 00	Display unit Parking aid	front	1	PR:7X2,7X8
7	955 641 224 00	Display unit Parking aid Discontinued part	rear	1	PR:7X2,7X8
	955 641 224 00 A03	Black			
	955 641 224 00 5Y2	Palm green			
	955 641 224 00 5Z1	Sand beige			
	955 641 224 00 7BA	steel grey			
7	955 641 224 01	Display unit Parking aid	rear	1	PR:7X2,7X8
	955 641 224 01 A03	Black			
	955 641 224 01 5Y2	Palm green			
	955 641 224 01 5Z1	Sand beige			
	955 641 224 01 7BA	steel grey			
8	955 641 230 00	buzzer Parking aid magnetic field probe		1	PR:7X2,7X8

Model: 9PA108

Model life 2007>>2010



Model: 9PA108 Model life 2007>>2010

Pos	Part Number	Description	Remark	Qty	Model
1		Radio unit Navigation system Receiving part TV magnetic field probe Compass Reversing camera Camera Exterior mirror D >> - MJ 2008 Radio unit See catalogue Tequipment			
2	955 642 210 10	Control panel		1	
3	N 105 842 01	Hexagon socket oval head bolt 4,2 X 25		X	
4	955 642 130 01	Module Voice control		1	PR:QH1
-	955 642 131 01	CD-ROM Voice control		1	PR:QH1
5	997 642 157 01	DVD-player Navigation system		1	PR:8DQ,8DV, 7T1,7Q2
-	955 642 951 00	Rot. knob	left	1	
-	955 642 952 00	Control panel Rot. knob	right	1	
-	955 642 941 00	Control panel Trim drawer SIM card for		1	
-	997 642 255 05	Control panel DVD-ROM for navigation system F >> 9P-8LA10 081 F >> 9P-8LA40 054 F >> 9P-8LA90 089		1	PR:7QT
-	997 642 259 04	DVD-ROM for navigation system F >> 9P-8LA10 081 F >> 9P-8LA40 054 F >> 9P-8LA90 089		1	PR:7QV
-	997 642 261 04	DVD-ROM for navigation system F >> 9P-8LA10 081 F >> 9P-8LA40 054 F >> 9P-8LA90 089		1	PR:7QZ
-	997 642 263 04	DVD-ROM for navigation system F >> 9P-8LA10 081 F >> 9P-8LA40 054 F >> 9P-8LA90 089		1	PR:7RA
-	997 642 265 05	DVD-ROM for navigation system F >> 9P-8LA10 081 F >> 9P-8LA40 054 F >> 9P-8LA90 089		1	PR:7RB,7RC, 7RD
-	997 642 267 04	DVD-ROM for navigation system F >> 9P-8LA10 081 F >> 9P-8LA40 054 F >> 9P-8LA90 089		1	PR:7RV
-	997 642 255 06	DVD-ROM for navigation		1	PR:7QT

Model: 9PA108

Model life 2007>>2010

Pos	Part Number	Description	Remark	Qty	Model
-	997 642 259 05	system F 9P-8LA10 082>> F 9P-8LA40 055>> F 9P-8LA90 090>> DVD-ROM for navigation		1	PR:7QV
-	997 642 261 05	system F 9P-8LA10 082>> F 9P-8LA40 055>> F 9P-8LA90 090>> DVD-ROM for navigation		1	PR:7QZ
-	997 642 263 05	system F 9P-8LA10 082>> F 9P-8LA40 055>> F 9P-8LA90 090>> DVD-ROM for navigation		1	PR:7RA
-	997 642 265 06	system F 9P-8LA10 082>> F 9P-8LA40 055>> F 9P-8LA90 090>> DVD-ROM for navigation		1	PR:7RB,7RC, 7RD
-	997 642 267 05	system F 9P-8LA10 082>> F 9P-8LA40 055>> F 9P-8LA90 090>> DVD-ROM for navigation		1	PR:7RV
-	997 642 148 02	CD-ROM for electronic driver's logbook		1	
6	955 642 226 01	Bracket		1	PR:8DQ,8DV, 7T1,7Q2
7	955 642 228 00	Retaining plate		1	PR:8DQ,8DV, 7T1,7Q2
8	N 907 468 01	Clip		2	
13	955 642 023 00	magnetic field probe Compass		1	PR:8DU,QR1
-	955 642 024 00	Bracket magnetic field sensor Bracket		1	
-	955 612 124 00	Connecting line Connecting line		1	
16	955 642 250 00	magnetic field probe Receiving part TV		1	PR:QV1
17	955 645 295 00	Coding connector		1	
18	955 642 255 00	Bracket Discontinued part		1	PR:QV1,8L6
18	955 642 255 10	Bracket		1	PR:QV1,8L6
19	N 100 292 06	Oval hexagon socket head bolt M 6 X 15		4	PR:QV1
20	N 910 234 01	Speed nut M 6 X 24,4 X 13		4	PR:QV1
21	N 100 151 01	Hexagon nut T 5		1	PR:QV1
22	955 645 290 00	Reversing camera Module		1	PR:7X8,7X9
22	955 645 290 X	Reversing camera Module		1	PR:7X8,7X9
23	955 645 292 01	Cover panel		1	PR:7X8,7X9
24	955 645 292 01 G2X	primed			
24	955 645 294 00	Bolt with washer M 4 X 12		4	

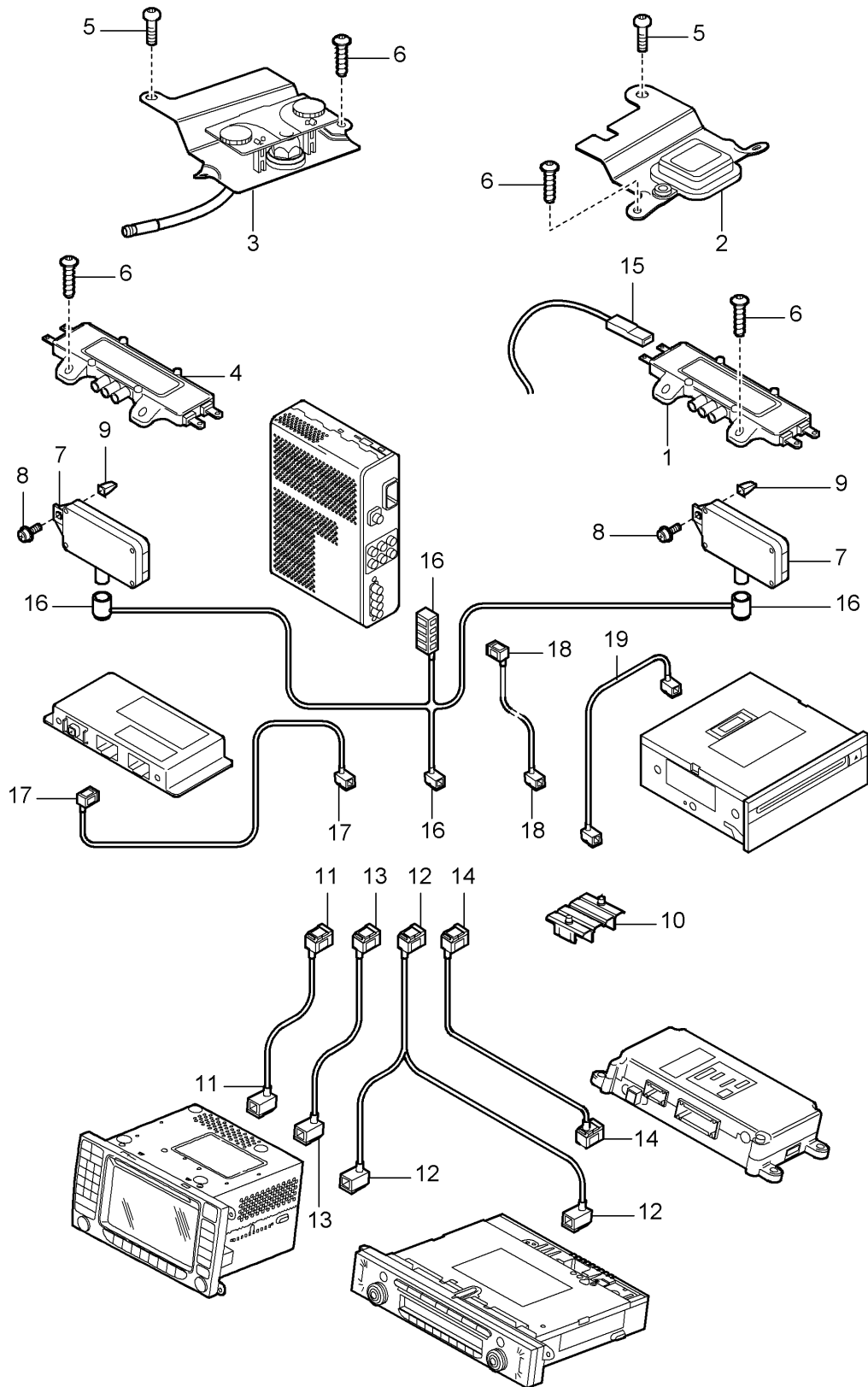
Model: 9PA108

Model life 2007>>2010

Pos	Part Number	Description	Remark	Qty	Model
25	955 645 291 00	Camera Exterior mirror		1	PR:5SU,5RP
26	955 645 297 00	Retaining frame Camera	right	1	PR:5RP
	955 645 297 00 01C	Black			
(26)	955 645 298 00	Retaining frame Camera	left	1	PR:5SU
	955 645 298 00 01C	Black			
-	000 043 400 13	Hexagon socket head bolt 3 X 25 for Retaining frame Camera		2	PR:5SU,5RP

Model: 9PA108

Model life 2007>>2010



Model: 9PA108 Model life 2007>>2010

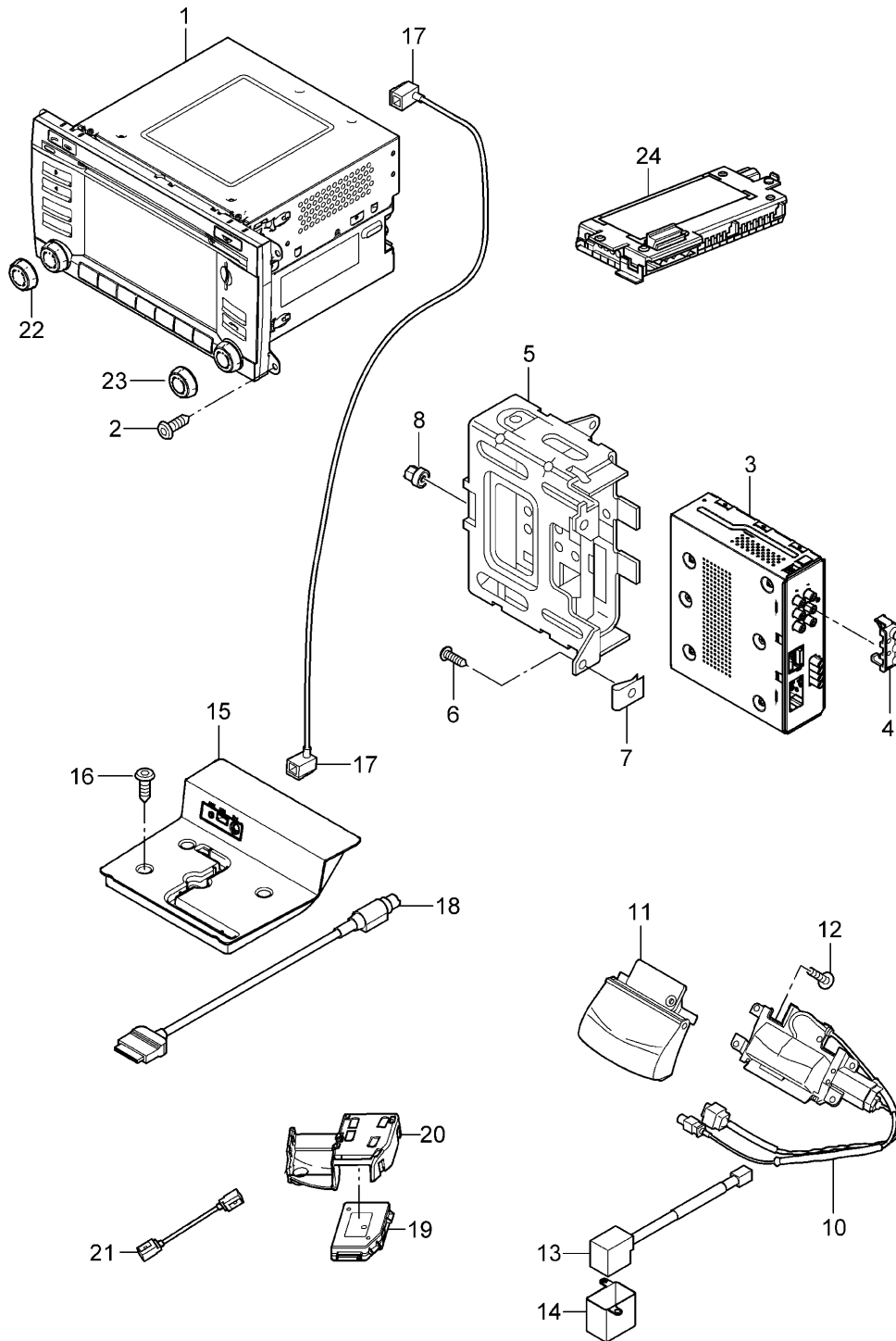
Pos	Part Number	Description	Remark	Qty	Model
1	955 647 301 00	Aerial amplifier Aerial D >> - MJ 2008 Aerial amplifier	right	1	PR:8ZM
(1)	955 647 302 00	Rear spoiler Aerial amplifier Rear spoiler	right	1	PR:8L6
2	955 647 107 01	Aerial GPS		1	PR:QV1,7T1, 7Q2
3	955 647 106 00	Telephone aerial Discontinued part		1	
3	955 647 106 01	Telephone aerial		1	
4	955 647 104 00	Aerial amplifier Rear spoiler	left	1	PR:QV0,QV4
(4)	955 647 114 00	Aerial amplifier Rear spoiler	left	1	PR:QV1
5	N 909 446 03	Oval hexagon socket head bolt M 5 X 12		2	
6	N 908 401 03	Hex socket oval head collared 4 X 14		X	
7	955 647 261 00	Aerial amplifier TV	left	1	PR:QV1,8L6
(7)	955 647 262 00	Aerial amplifier TV	right	1	PR:QV1,8L6
8	N 104 472 01	Hexagon socket oval head panel bolt (combi) ST 4,8 X 13		2	PR:QV1,8L6
9	955 647 269 00	expanding nut		2	PR:QV1,8L6
10	955 647 432 10	Bracket		2	
11	955 647 208 00	Connecting line Connection point To Module Navigation system Connector blue		1	PR:7Q2,7T1
12	955 647 203 01	Connecting line Connection point To Radio unit Connector Black		1	
13	955 647 204 01	Connecting line Connection point To Control panel Connector yellow		1	PR:8L6,7VE, 7VL
(13)	955 647 215 01	Connecting line Connection point To Control panel Connector brown		1	
(13)	955 647 220 01	Connecting line Connection point To Control panel Connector cream white for		1	
14	955 647 209 11	Reversing camera Connecting line		1	

Model: 9PA108 Model life 2007>>2010

Pos	Part Number	Description	Remark	Qty	Model
(14)	955 647 212 01	Connection point To Control unit Telephone 997.646.208.13 Connector violet Connecting line Connection point		1	PR:9ZF
15	955 647 108 00	To Control unit Telephone Connector violet Aerial Radio unit Rear spoiler	right	1	
16	955 647 213 01	Connecting line Receiving part TV To Connection point To Amplifiers TV		1	
18	955 647 217 01	Connecting line Connection point To Receiving part TV Connector brown		1	
(18)	955 647 218 01	Connecting line Connection point To Receiving part TV Connector cream white		1	
19	955 647 219 01	Connecting line Connection point To DVD device Navigation system		1	

Model: 9PA108

Model life 2007>>2010



Model: 9PA108

Model life 2007>>2010

Pos	Part Number	Description	Remark	Qty	Model
-		Radio unit Navigation system Receiving part TV Reversing camera Camera Exterior mirror Multimedia interface D - MJ 2009>>			
1	955 642 970 X	Control panel Only in exchange		1	PR:7T1
1	955 642 972 X	Control panel We take back: 955.642.970.00		1	PR:7T1,7D7 -"CN."
1	955 642 974 X	Control panel We take back: 955.642.974.00		1	PR:7T7
1	955 642 975 X	Control panel We take back: 955.642.975.00		1	PR:7T7,7D7
(1)	955 645 138 00	radio CDR 30		1	PR:8DR,8RV, 9VL
(1)	955 645 138 X	radio CDR 30 We take back: 955.645.138.00		1	PR:8DR,8RV, 9VL
(1)	955 645 146 00	radio CDR 30		1	PR:7D7,8DR, 8RV,9VL
(1)	955 645 146 X	radio CDR 30 We take back: 955.645.146.00		1	PR:7D7,8DR, 8RV,9VL
(1)	955 645 142 00	radio CDR 30		1	PR:8DR,8RV, 9VL,9W5
(1)	955 645 142 X	radio CDR 30 We take back: 955.645.142.00		1	PR:8DR,8RV, 9VL,9W5
(1)	955 645 144 00	radio CDR 30		1	PR:7D7,8DR, 8RV,9VL,9W5
(1)	955 645 144 X	radio CDR 30 We take back: 955.645.144.00		1	PR:7D7,8DR, 8RV,9VL,9W5
-	955 642 226 01	Bracket DVD device		1	PR:7T7
-	955 642 226 15	Navigation system Bracket Adapter DVD device		1	PR:7T7
-	955 642 226 20	Navigation system Reinforcement for Bracket DVD device		1	PR:7T7
-	N 105 696 01	Navigation system Socket head bolt with inner hex round head M 5 X 30		2	PR:7T7
2	N 105 842 01	Hexagon socket oval head		1	

Model: 9PA108

Model life 2007>>2010

Pos	Part Number	Description	Remark	Qty	Model
-	997 642 271 50	bolt 4,2 X 25 DVD-ROM for navigation system for Software		1	PR:7QT
-		See technical information GR. 9 NR. 52/09 KD - NR. 9110			
-	997 642 271 51	DVD-ROM for navigation system for Software		1	PR:7QT
-		See technical information GR. 9 NR. 52/09 KD - NR. 9110			
-	997 642 275 50	DVD-ROM for navigation system for Software		1	PR:7QV
-		See technical information GR. 9 NR. 52/09 KD - NR. 9110			
-	997 642 275 51	DVD-ROM for navigation system for Software		1	PR:7QV
-		See technical information GR. 9 NR. 52/09 KD - NR. 9110			
-	997 642 277 50	DVD-ROM for navigation system for Software		1	PR:7QZ
-		See technical information GR. 9 NR. 52/09 KD - NR. 9110			
-	997 642 277 51	DVD-ROM for navigation system for Software		1	PR:7QZ
-		See technical information GR. 9 NR. 52/09 KD - NR. 9110			
-	997 642 279 50	DVD-ROM for navigation system for Software		1	PR:7RA
-		See technical information GR. 9 NR. 52/09 KD - NR. 9110			
-	997 642 279 51	DVD-ROM for navigation system for Software		1	PR:7RA
-		See technical information GR. 9 NR. 52/09 KD - NR. 9110			
-	997 642 281 50	DVD-ROM for navigation system for Software		1	PR:7RB,7RC, 7RD
-		See technical information			

Model: 9PA108 Model life 2007>>2010

Pos	Part Number	Description	Remark	Qty	Model
-	997 642 281 51	GR. 9 NR. 52/09 KD - NR. 9110 DVD-ROM for navigation system for Software		1	PR:7RB,7RC, 7RD
-		See technical information GR. 9 NR. 52/09 KD - NR. 9110			
-	997 642 283 50	DVD-ROM for navigation system for Software		1	PR:7RV
-		See technical information GR. 9 NR. 52/09 KD - NR. 9110			
-	997 642 283 51	DVD-ROM for navigation system for Software		1	PR:7RV
-		See technical information GR. 9 NR. 52/09 KD - NR. 9110			
-	997 642 148 02	CD-ROM for electronic driver's logbook		1	
3	7PP 919 148	Receiving part TV Discontinued part		1	PR:QV1
3	7PP 919 148 A	Receiving part TV		1	PR:QV1
4	955 642 295 10	Coding connector		1	PR:QV1,7X8, 7X9
5	955 642 255 10	Bracket		1	PR:QV1,8L6
6	N 100 292 06	Oval hexagon socket head bolt M 6 X 15		4	PR:QV1
7	N 910 234 01	Speed nut M 6 X 24,4 X 13		4	PR:QV1
8	N 100 151 01	Hexagon nut T 5		1	PR:QV1
10	955 645 290 00	Reversing camera Module		1	PR:7X8,7X9
10	955 645 290 X	Reversing camera Module		1	PR:7X8,7X9
10	955 645 290 1X	Reversing camera Module		1	- "CN. "
11	955 645 292 01	Cover panel		1	PR:7X8,7X9
	955 645 292 01 G2X	primed			
12	955 645 294 00	Bolt with washer M 4 X 12		4	
13	955 645 291 00	Camera Exterior mirror		1	PR:5SU,5RP
14	955 645 297 00	Retaining frame Camera	right	1	PR:5RP
	955 645 297 00 01C	Black			
(14)	955 645 298 00	Retaining frame Camera	left	1	PR:5SU
	955 645 298 00 01C	Black			
-	000 043 400 13	Hexagon socket head bolt 3 X 25 for Retaining frame Camera		2	PR:5SU,5RP
15	955 642 351 10	Adapter		1	PR:7Q0,7Q2,

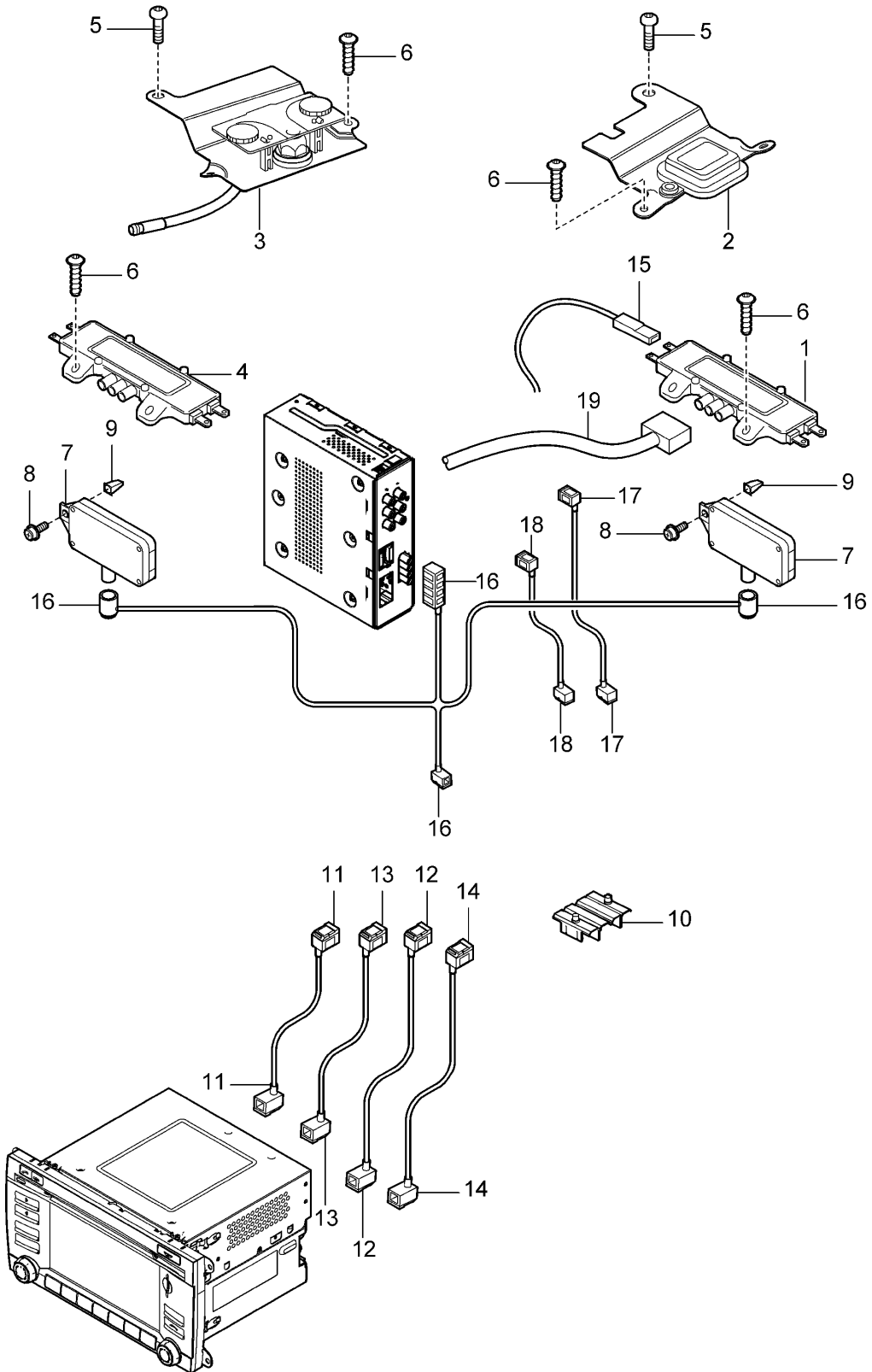
Model: 9PA108

Model life 2007>>2010

Pos	Part Number	Description	Remark	Qty	Model
		Multimedia interface			7T1,UF1
(15)	955 642 351 20	Adapter		1	PR:8DR,UF1
16	N 908 401 03	Multimedia interface Hex socket oval head collared 4,0 X 14,0		3	PR:UF1
17	955 612 642 30	Connecting line Multimedia interface		1	PR:UF1
18	997 612 471 02	Control panel Connection cable iPOD		1	PR:UF1
19	955 642 023 10	magnetic field probe Compass		1	PR:QR1,8DR, 8YZ
20	955 642 024 00	Bracket magnetic field sensor		1	
21	955 612 124 00	Connecting line magnetic field probe		1	
22	997 642 929 00	Rot. knob for Control panel	left	1	PR:7T1,7T7
23	997 642 930 00	Rot. knob for Control panel	right	1	PR:7T1,7T7
24		Control unit Telephone see illustration:	911-011		

Model: 9PA108

Model life 2007>>2010



Model: 9PA108 Model life 2007>>2010

Pos	Part Number	Description	Remark	Qty	Model
1	955 647 311 00	Aerial amplifier Aerial D - MJ 2009>> Aerial amplifier	right	1	PR:QV0,7Q4, 8DR,8ZM
(1)	955 647 312 00	Rear spoiler Aerial amplifier Rear spoiler	right	1	PR:8DQ,8DV, 8L6
2	955 647 107 01	Aerial		1	PR:QV0,QV1, 7Q4,7T1
3	955 647 106 01	GPS Telephone aerial		1	PR:9W1,9W5, 9ZP
4	955 647 124 00	Aerial amplifier	left	1	PR:QV0,QV4, 8DQ,8DV,8L6
(4)	955 647 134 00	Rear spoiler Aerial amplifier	left	1	PR:QV1,8DQ, 8DV,8L6
(4)	955 647 136 00	Rear spoiler Aerial amplifier Rear spoiler	left	1	PR:QV0,7Q4
5	N 909 446 03	Oval hexagon socket head bolt M 5 X 12		2	
6	N 908 401 03	Hex socket oval head collared 4 X 14		X	
(7)	955 647 271 00	Aerial amplifier	left	1	PR:QV0,QV1, 7Q4,8L6
(7)	955 647 272 00	TV Aerial amplifier TV	right	1	PR:QV0,QV1, 7Q4,8L6
8	N 104 472 01	Hexagon socket oval head panel bolt (combi) ST 4,8 X 13		2	
9	955 647 269 00	expanding nut		2	
10	955 647 432 10	Bracket		2	
11	955 647 208 10	Connecting line Connection point To Control panel Navigation system Connector blue		1	PR:7T1
(11)	955 612 073 25	Connecting line Connection point To Computer Navigation system Connector blue		1	PR:7T7
12	955 647 203 01	Connecting line Connection point To Control panel Radio unit Connector Black		1	
13	955 647 209 20	Connecting line Connection point To Control panel Telephone Connector violet		1	PR:9W1,9ZP

Model: 9PA108 Model life 2007>>2010

Pos	Part Number	Description	Remark	Qty	Model
(13)	955 647 219 25	Connecting line Connection point To Centre console Connector violet		1	PR:9W5
14	955 647 218 20	Connecting line Connection point To Control panel Connector cream white		1	PR:7X8,7X9
(14)	955 647 212 20	Reversing camera Connecting line Connection point To Control panel Connector brown		1	PR:QV1
(14)	955 647 212 21	No longer use the part here Connecting line Connection point To Control panel Connector brown		1	PR:QV1
(14)	997 612 047 25	Aerial connection line - VICS BEACON - Control panel		1	PR:7Q4
(14)	955 612 072 25	Connecting line Computer Navigation system - IR - Sensor		1	PR:7T7
(14)	955 612 074 25	Connecting line Control panel Computer Navigation system		1	PR:7T7
15	955 647 108 00	Aerial Radio unit	right	1	
16	955 647 213 10	Rear spoiler Connecting line Receiving part TV To Connection point To Amplifiers TV		1	PR:QV1
17	955 647 215 20	Connecting line Connection point To Receiving part TV Connector brown		1	PR:QV1
18	955 647 218 01	Connecting line Connection point To Receiving part TV Connector cream white		1	PR:7X8,7X9, QV1

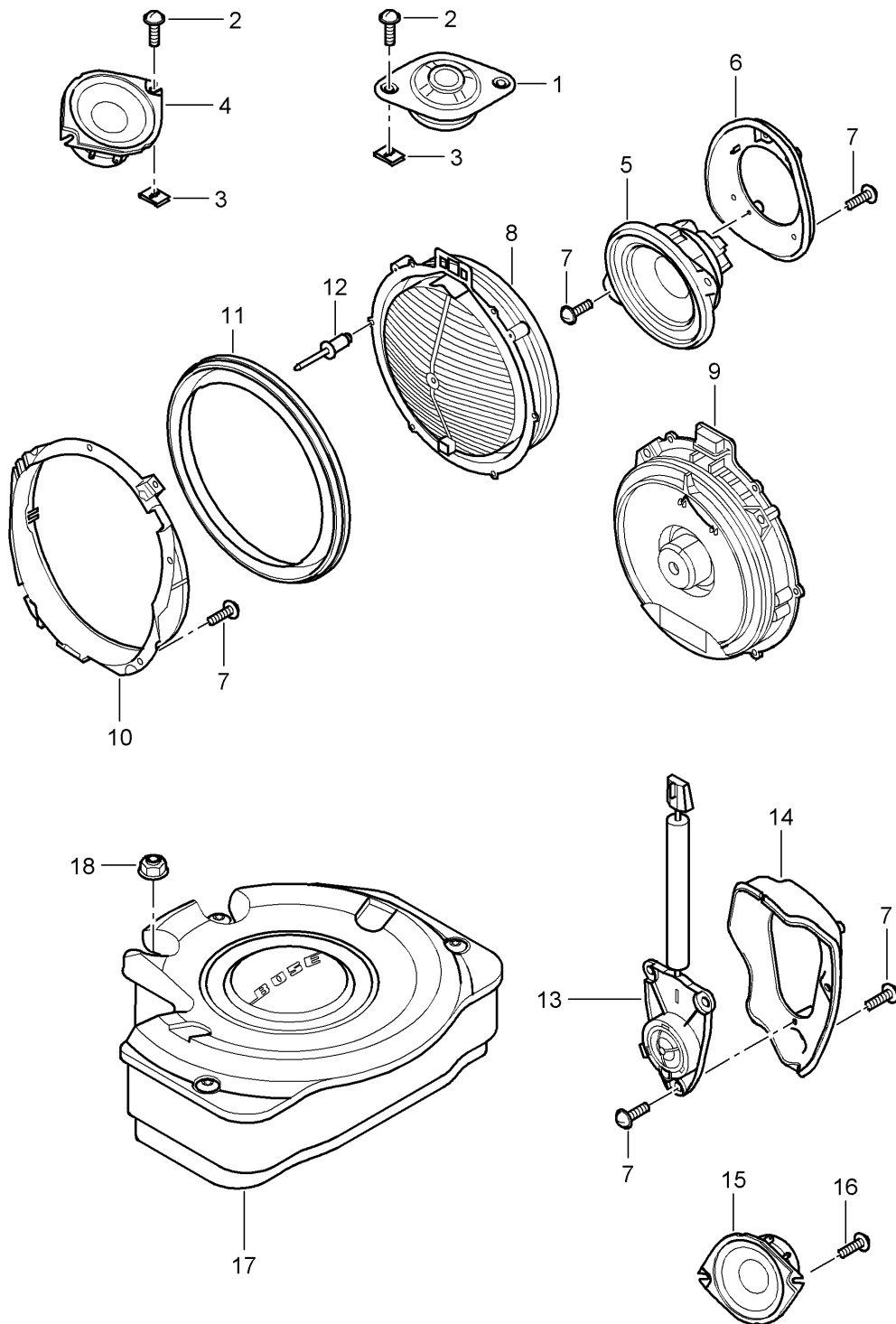
Model: 9PA108

Model life 2007>>2010

Pos	Part Number	Description	Remark	Qty	Model
19	955 035 035 10	Connecting line Rear spoiler Aerial Telephone Mobile TV Connector Connection point Bordeaux red		1	PR: 8L6, 8ZM, 9W1, 9ZF, 9W5, 9ZP

Model: 9PA108

Model life 2007>>2010



Model: 9PA108 Model life 2007>>2010

Pos	Part Number	Description	Remark	Qty	Model
1	955 645 040 00	Loudspeaker Treble speaker dashboard	front	2	PR:9VL
(1)	955 645 041 00	Treble speaker dashboard	front	2	PR:8RV
2	N 906 986 01	Hexagon socket head panel bolt 4,2 X 16		X	
3	N 906 988 01	Speed nut 4,2 X 16		X	
4	955 645 030 00	Loudspeaker dashboard	center	1	PR:9VL
4	955 645 034 00	Loudspeaker dashboard	center	1	PR:8RV
5	955 645 031 00	D - MJ 2009>> Mid tone speaker Door	front	2	PR:9VL
(5)	955 645 032 00	Mid tone speaker Door	front	2	PR:8RV
(6)	955 645 131 00	Adapter	left	1	
6	955 645 132 00	Adapter	right	1	
7	N 903 474 06	Bolt with washer 4,0 X 12		X	
8	955 645 020 01	Bass loudspeaker with housing Door	front	2	PR:9VL
(8)	955 645 021 00	Bass loudspeaker with housing Door	front and rear	4	PR:8RV
(8)	955 645 022 01	Bass loudspeaker with housing Door	rear	2	PR:9VL
9	955 645 023 00	Bass loudspeaker Door	front	2	PR:9VL
(9)	955 645 024 00	Bass loudspeaker Door	rear	2	PR:9VL
10	955 645 221 00	Support seal ring Door	left front	1	
(10)	955 645 222 00	Support seal ring Door	right front	1	
(10)	955 645 223 00	Support seal ring Door	left rear	1	
(10)	955 645 224 00	Support seal ring Door	right rear	1	
11	955 645 120 00	seal ring Bass loudspeaker		4	
12	N 907 657 01	Pop rivet 4,8 X 15		X	
13	955 645 042 00	Treble speaker Door	rear	2	PR:9VL
(13)	955 645 043 00	Loudspeaker MID-RANGE speaker High-pitched Door	rear	2	PR:8RV
(14)	955 645 133 00	Adapter	left	1	
14	955 645 134 00	Adapter	right	1	
15	955 645 030 00	Loudspeaker d-pillar		2	PR:9VL
16	N 106 021 01	Hexagon socket flat head bolt		4	PR:9VL

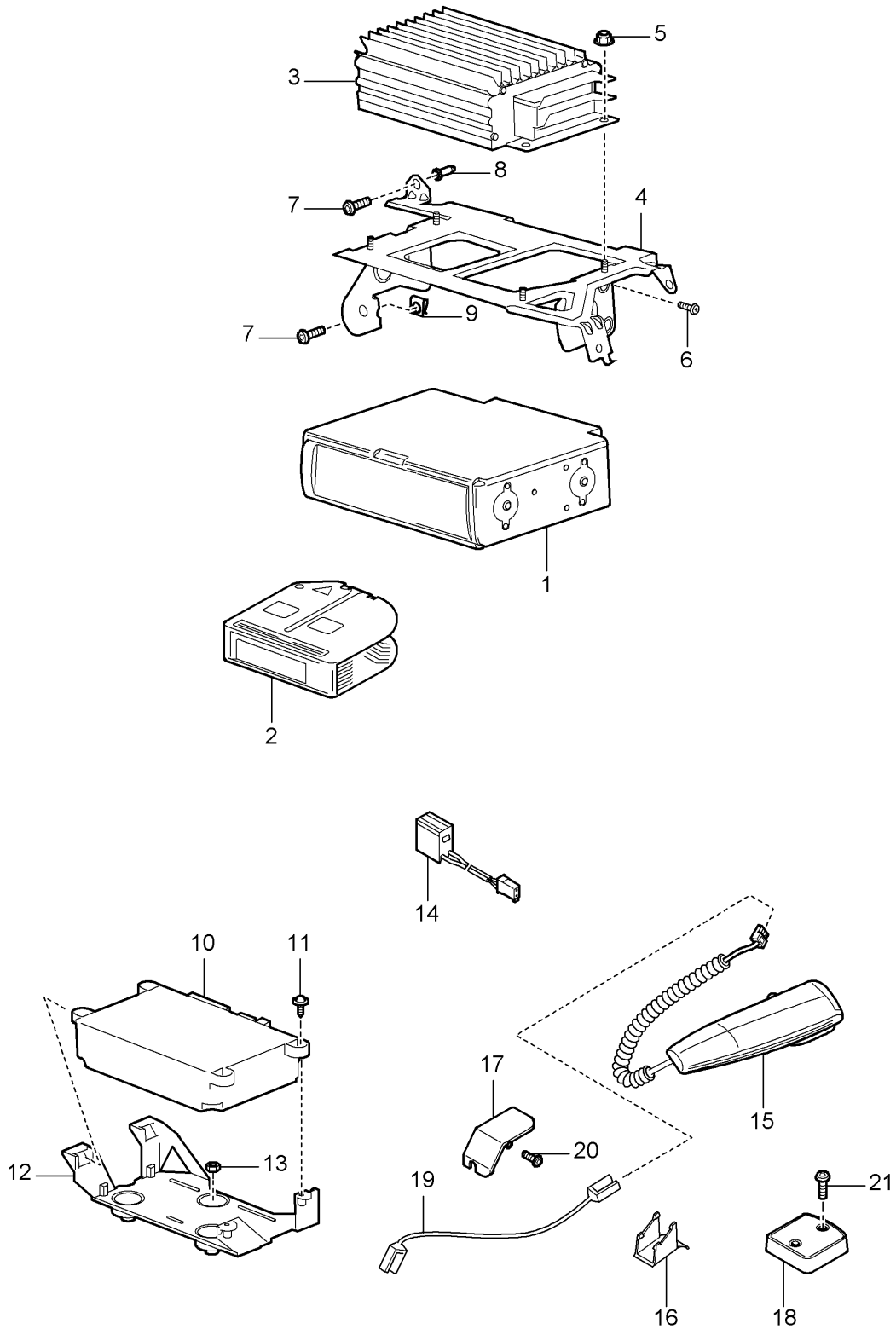
Model: 9PA108

Model life 2007>>2010

Pos	Part Number	Description	Remark	Qty	Model
(17)	955 645 010 00	4 X 10 Subwoofer		1	PR:9VL
18	N 102 058 02	Spare wheel well Hexagon collar nut self-locking M 6		4	PR:9VL

Model: 9PA108

Model life 2007>>2010



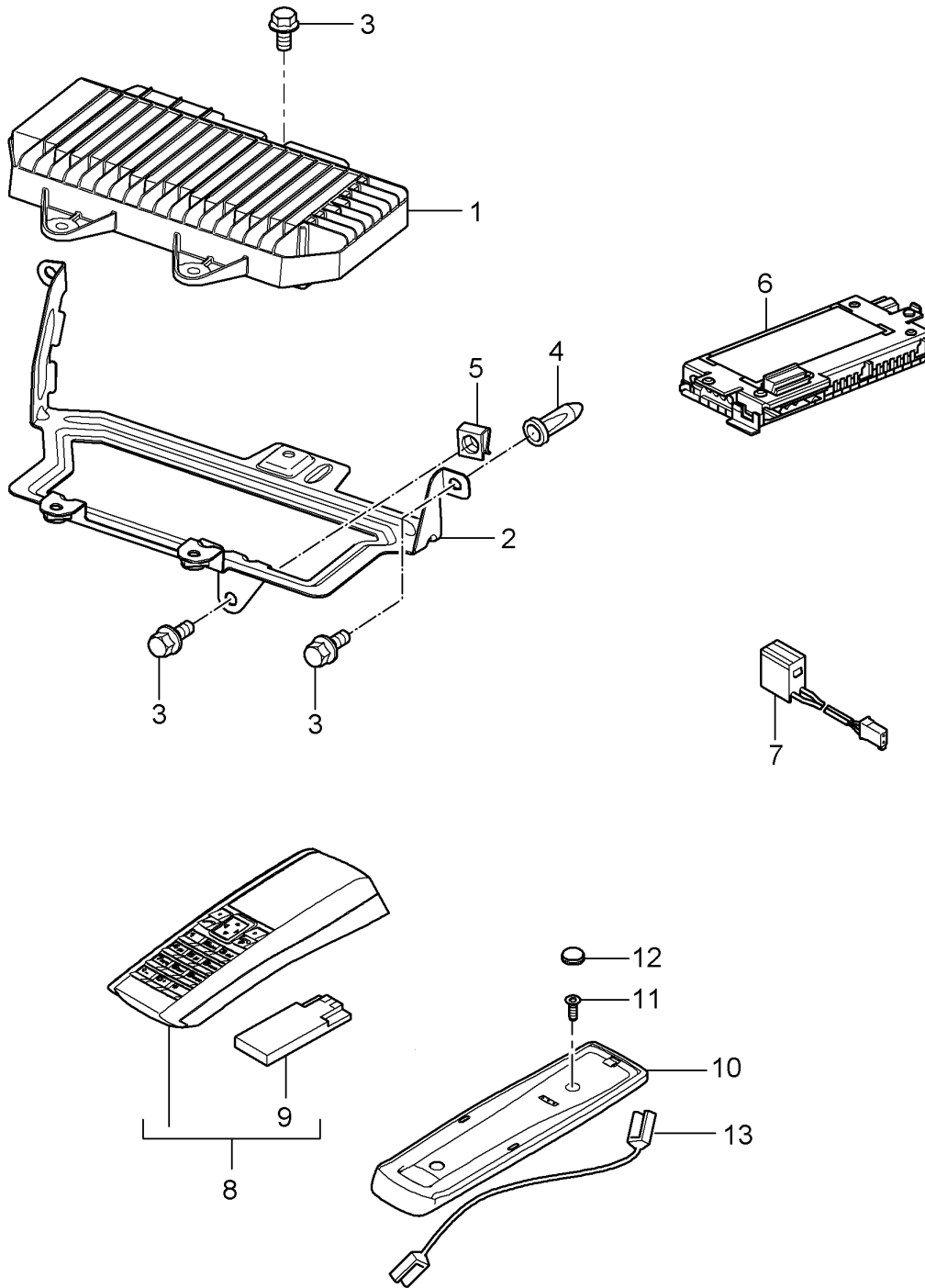
Model: 9PA108

Model life 2007>>2010

Pos	Part Number	Description	Remark	Qty	Model
1	997 645 140 03	Amplifiers CD changers Telephone D >> - MJ 2008 CD changers CDC 4 Adjustment Installation Attention		1	PR:7A2
2	996 645 113 00	Magazine for CD changers		1	
3	955 645 301 07	Amplifiers		1	PR:9VL
4	955 645 220 00	bracket for cd changer and/or amplifier		1	PR:7A2,9VL
5	N 101 181 05	Hexagon collar nut self-locking M 5		4	PR:9VL
6	N 906 448 05	Oval hexagon socket head bolt M 5 X 9		6	PR:7A2
7	N 100 292 06	Oval hexagon socket head bolt M 6 X 15		4	
8	N 909 278 01	riveted cap nut M 6		2	
9	N 910 234 01	Speed nut M 6 X 24,4		1	
10	997 646 209 01	Control unit for telephone		1	
11	N 104 648 02	Oval hexagon socket head bolt 4,0 X 12		2	PR:9ZP
12	955 642 208 02	Bracket		1	PR:9ZP,9W1
13	N 100 151 01	Hexagon nut T 5		3	
14	955 642 310 00	microphone		1	
15	955 642 212 02	Telephone controls/receiver		1	PR:9ZP,9ZH
16	955 642 213 00	Cable guide		1	PR:9ZP,9ZH
17	955 642 214 00	Cover cap		1	PR:9ZP,9ZH
18	955 642 215 00	Distance piece Receiver Telephone		1	PR:9ZP,9ZH
19	955 612 642 01	Cable		1	PR:9ZP
20	N 909 067 01	oval head self-tapping screw 2,5 X 18		2	PR:9ZH,9ZP
21	N 105 357 02	fillister hd. bolt 3 X 25		2	PR:9ZH,9ZP

Model: 9PA108

Model life 2007>>2010



Model: 9PA108

Model life 2007>>2010

Pos	Part Number	Description	Remark	Qty	Model
1	955 645 302 01	Amplifiers Telephone D - MJ 2009>> Amplifiers Discontinued part		1	PR:9VL
1	7PP 035 223 P	Amplifiers		1	PR:9VL
1	7PP 035 223 J	Amplifiers		1	PR:7Q4,9VL
(1)	955 645 312 01	D - MJ 2010>> Amplifiers		1	PR:8DV,8DQ, 8RV
2	955 645 225 00	Holder for amplifier		1	PR:8DV,8DQ, 8RV,9VL
3	N 101 563 07	Hex collared bolt M 6 X 12		6	PR:8DV,8DQ, 8RV,9VL
4	N 909 278 01	rivetted cap nut M 6		2	PR:8DV,8DQ, 8RV,9VL
5	N 910 234 01	Speed nut M 6 X 24,4		1	PR:8DV,8DQ, 8RV,9VL
6	997 646 218 01	Control unit for telephone		1	PR:9W1,9ZP
6	7PP 035 730 A	Control unit for telephone		1	PR:9W1,9ZP
7	955 642 312 00	microphone		1	PR:QH0,7Q4, 8RV,9W0
-	955 612 075 75	Connecting line microphone		1	PR:7Q4
7	955 642 313 00	Control panel microphone		1	PR:QH0,QH1, 7T7,8RV,9VL, 9W0,9W1,9W5, 9ZP
8	7PP 035 725	Telephone controls/receiver		1	PR:7Q0,7Q2, 7T1,9ZP
9	997 646 216 00	Battery Discontinued part		1	
9	997 646 916 00	Battery		1	
10	997 646 214 00	Support for cellphone receiver		1	
10	997 646 214 00 A05	Discontinued part Black			
10	955 646 214 00	Support for cellphone receiver		1	
11	N 911 598 01	countersunk bolt 3,0 X 15,0		2	
12	997 646 311 00	Bungs		2	
13	955 612 642 10	Cable		1	PR:9ZP
(13)	955 612 642 20	Cable		1	PR:9W5